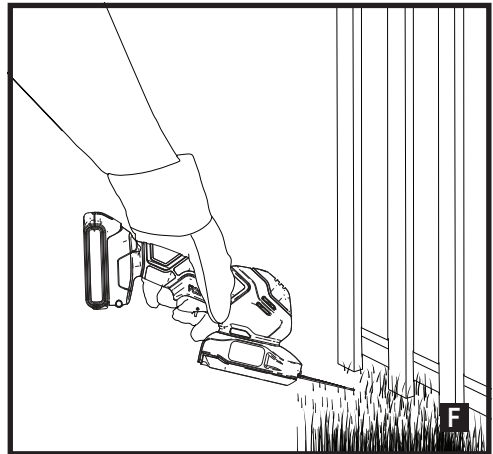
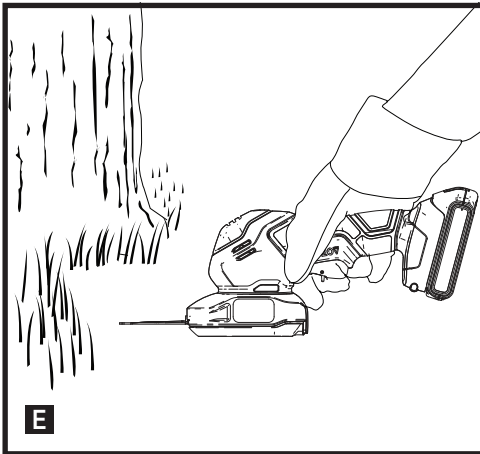
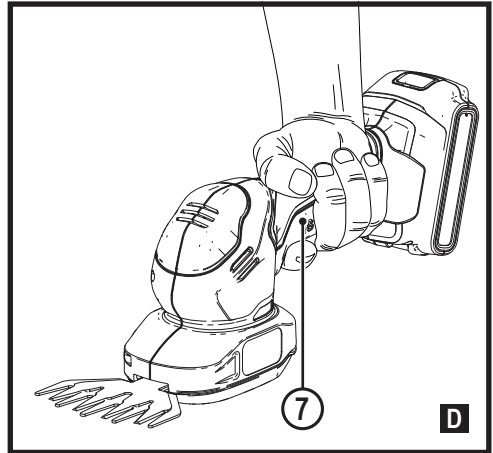
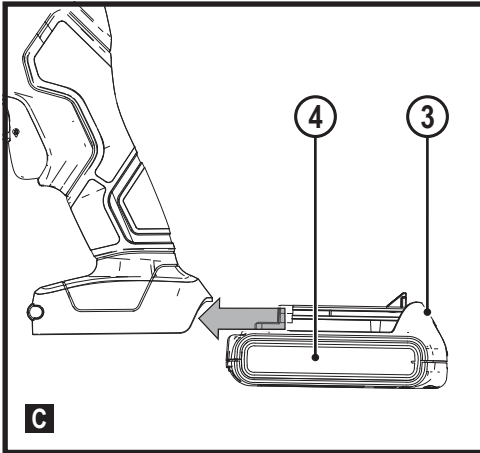
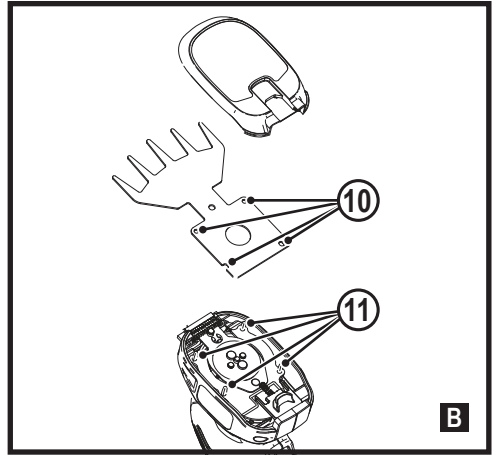
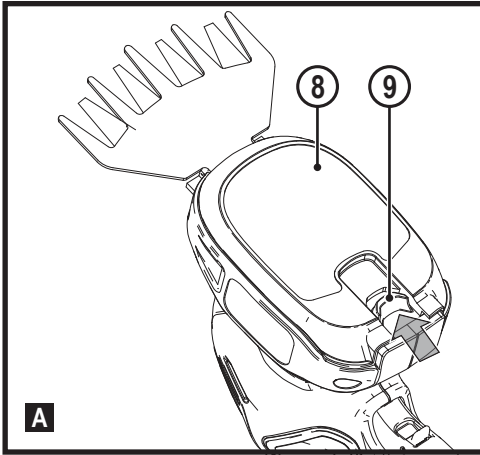
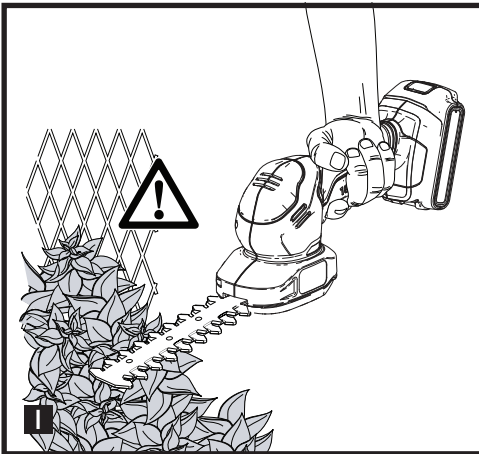
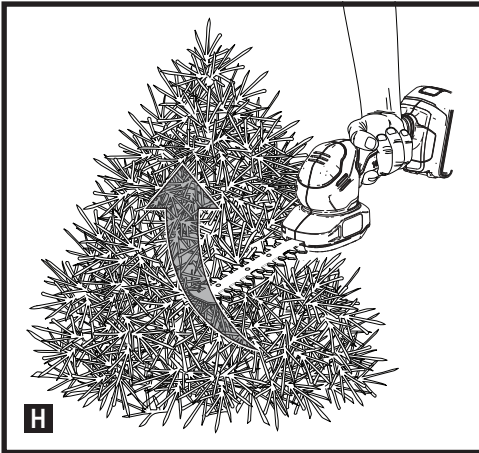
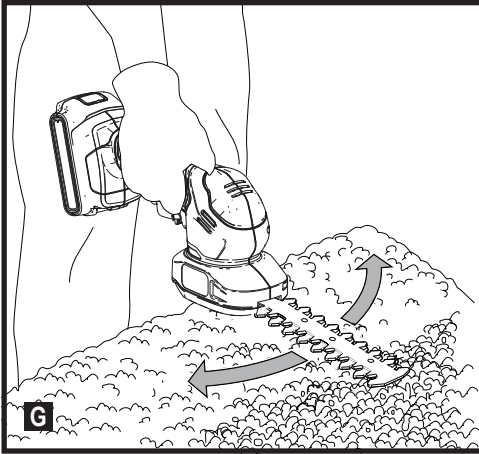


BCSS20

English	4
Bahasa Indonesia	10
ภาษาไทย	17
TIẾNG VIỆT	23





Intended use

Your BLACK+DECKER BCSS20 shear/shrubber has been designed for trimming grass, hedges, shrubs and brambles. This tool is intended for consumer use only.

Safety instructions

General power tool safety warnings



Warning! Read all safety warnings and all instructions. Failure to follow the warnings and instructions listed below may result in electric shock, fire and/or serious injury.

Save all warnings and instructions for future reference.

The term "power tool" in all of the warnings listed below refers to your mains operated (corded) power tool or battery operated (cordless) power tool.

1. Work area safety

- a. **Keep work area clean and well lit.** Cluttered or dark areas invite accidents.
- b. **Do not operate power tools in explosive atmospheres, such as in the presence of flammable liquids, gases or dust.** Power tools create sparks which may ignite the dust or fumes.
- c. **Keep children and bystanders away while operating a power tool.** Distractions can cause you to lose control.

2. Electrical safety

- a. **Power tool plugs must match the outlet. Never modify the plug in any way. Do not use any adapter plugs with earthed (grounded) power tools.** Unmodified plugs and matching outlets will reduce risk of electric shock.
- b. **Avoid body contact with earthed or grounded surfaces such as pipes, radiators, ranges and refrigerators.** There is an increased risk of electric shock if your body is earthed or grounded.
- c. **Do not expose power tools to rain or wet conditions.** Water entering a power tool will increase the risk of electric shock.
- d. **Do not abuse the cord.** Never use the cord for carrying, pulling or unplugging the power tool. Keep cord away from heat, oil, sharp edges or moving parts. Damaged or entangled cords increase the risk of electric shock.
- e. **When operating a power tool outdoors, use an extension cord suitable for outdoor use.** Use of a cord suitable for outdoor use reduces the risk of electric shock.
- f. **If operating a power tool in a damp location is unavoidable, use a residual current device (RCD) protected supply.** Use of an RCD reduces the risk of electric shock.

3. Personal safety

- a. Stay alert, watch what you are doing and use common sense when operating a power tool. Do not use a power tool while you are tired or under the influence of drugs, alcohol or medication. A moment of inattention while operating power tools may result in serious personal injury.
- b. **Use personal protective equipment. Always wear eye protection.** Protective equipment such as dust mask, non-skid safety shoes, hard hat, or hearing protection used for appropriate conditions will reduce personal injuries.
- c. **Prevent unintentional starting. Ensure the switch is in the off-position before connecting to power source and/or battery pack, picking up or carrying the tool.** Carrying power tools with your finger on the switch or energising power tools that have the switch on invites accidents.
- d. **Remove any adjusting key or wrench before turning the power tool on.** A wrench or a key left attached to a rotating part of the power tool may result in personal injury.
- e. **Do not overreach. Keep proper footing and balance at all times.** This enables better control of the power tool in unexpected situations.
- f. **Dress properly. Do not wear loose clothing or jewellery. Keep your hair, clothing and gloves away from moving parts.** Loose clothes, jewellery or long hair can be caught in moving parts.
- g. **If devices are provided for the connection of dust extraction and collection facilities, ensure these are connected and properly used.** Use of dust collection can reduce dust-related hazards.

4. Power tool use and care

- a. **Do not force the power tool. Use the correct power tool for your application.** The correct power tool will do the job better and safer at the rate for which it was designed.
- b. **Do not use the power tool if the switch does not turn it on and off.** Any power tool that cannot be controlled with the switch is dangerous and must be repaired.
- c. **Disconnect the plug from the power source and/or the battery pack from the power tool before making any adjustments, changing accessories, or storing power tools.** Such preventive safety measures reduce the risk of starting the power tool accidentally.
- d. **Store idle power tools out of the reach of children and do not allow persons unfamiliar with the power tool or these instructions to operate the power tool.** Power tools are dangerous in the hands of untrained users.
- e. **Maintain power tools. Check for misalignment or binding of moving parts, breakage of parts and any other condition that may affect the power tools operation.** If damaged, have the power tool repaired before use.

Many accidents are caused by poorly maintained power tools.

- f. **Keep cutting tools sharp and clean.** Properly maintained cutting tools with sharp cutting edges are less likely to bind and are easier to control.
- g. **Use the power tool, accessories and tool bits etc. in accordance with these instructions, taking into account the working conditions and the work to be performed.** Use of the power tool for operations different from those intended could result in a hazardous situation.

5. Battery tool use and care

- a. **Recharge only with the charger specified by the manufacturer.** A charger that is suitable for one type of battery pack may create a risk of fire when used with another battery pack.
 - b. **Use power tools only with specifically designated battery packs.** Use of any other battery packs may create a risk of injury and fire.
 - c. **When battery pack is not in use, keep it away from other metal objects, like paper clips, coins, keys, nails, screws, or other small metal objects, that can make a connection from one terminal to another.** Shorting the battery terminals together may cause burns or a fire.
 - d. **Under abusive conditions, liquid may be ejected from the battery; avoid contact. If contact accidentally occurs, flush with water. If liquid contacts eyes, additionally seek medical help.** Liquid ejected from the battery may cause irritation or burns.
 - e. **Do not use a battery pack or tool that is damaged or modified.** Damaged or modified batteries may exhibit unpredictable behaviour resulting in fire, explosion or risk of injury.
 - f. **Do not expose a battery pack or tool to fire or excessive temperature.** Exposure to fire or temperature above 130 °C may cause explosion.
 - g. **Follow all charging instructions and do not charge the battery pack or tool outside the temperature range specified in the instructions.** Charging improperly or at temperatures outside the specified range may damage the battery and increase the risk of fire.
- ### 6. Service
- a. **Have your power tool serviced by a qualified repair person using only identical replacement parts.** This will ensure that the safety of the power tool is maintained.
 - b. **Never service damaged battery packs.** Service of battery packs should only be performed by the manufacturer or authorized service providers.

Additional power tool safety warnings



Warning! Additional safety warnings for hedge trimmers

- ◆ **Keep all parts of the body away from the cutter blade. Do not remove cut material or hold material to be cut when blades are moving. Make sure the switch is off when clearing jammed material.** A moment of inattention while operating the hedge trimmer may result in serious personal injury.
- ◆ **Carry the hedge trimmer by the handle with the cutter blade stopped. When transporting or storing the hedge trimmer always fit the cutting device cover.** Proper handling of the hedge trimmer will reduce possible personal injury from the cutter blades.
- ◆ **Hold the power tool by insulated gripping surfaces only, because the cutter blade may contact hidden wiring.** Cutter blades contacting a "live" wire may make exposed metal parts of the power tool "live" and could give the operator an electric shock.
- ◆ **Keep cable away from cutting area.** During operation the cable may be hidden in shrubs and can be accidentally cut the handle.
- ◆ This tool is not intended for use by persons (including children) with reduced physical, sensory or mental capabilities, or lack of experience and knowledge, unless they have been given supervision or instruction concerning use of the appliance by a person responsible for their safety. Children should be supervised to ensure that they do not play with the appliance.
- ◆ The intended use is described in this instruction manual. The use of any accessory or attachment or performance of any operation with this tool other than those recommended in this instruction manual may present a risk of personal injury and/or damage to property.
- ◆ Do not carry the tool with your hands on the front handle switch or the trigger switch unless the battery has been removed.
- ◆ If you have not used a hedgetrimmer before, preferably seek practical instruction by an experienced user in addition to studying this manual.
- ◆ Never touch the blades while the tool is running.
- ◆ Never attempt to force the blades to come to a standstill.
- ◆ Do not put the tool down until the blades have come to a complete standstill.
- ◆ Regularly check the blades for damage and wear. Do not use the tool when the blades are damaged.
- ◆ Take care to avoid hard objects (e.g. metal wire, railings) when trimming. Should you accidentally hit any such object, immediately switch the tool off and check for any damage.

- ◆ Should the tool start to vibrate abnormally, immediately switch it off and check for any damage.
- ◆ If the tool stalls, immediately switch it off. Remove the battery before attempting to remove any obstructions.
- ◆ After use, place the blade sheath supplied over the blades. Store the tool, making sure that the blade is not exposed.
- ◆ Always ensure that all guards are fitted when using the tool. Never attempt to use an incomplete tool or a tool with unauthorised modifications.
- ◆ Never allow children to use the tool.
- ◆ Be aware of falling debris when cutting the higher slides of a hedge.
- ◆ Always hold the tool with both hands and by the handles provided.

Residual risks

Additional residual risks may arise when using the tool which may not be included in the enclosed safety warnings. These risks can arise from misuse, prolonged use etc.

Even with the application of the relevant safety regulations and the implementation of safety devices, certain residual risks can not be avoided. These include:

- ◆ **Injuries caused by touching any rotating/moving parts.**
- ◆ **Injuries caused when changing any parts, blades or accessories.**
- ◆ **Injuries caused by prolonged use of a tool. When using any tool for prolonged periods ensure you take regular breaks.**
- ◆ **Impairment of hearing.**
- ◆ **Health hazards caused by breathing dust developed when using your tool (example:- working with wood, especially oak, beech and MDF.)**

Labels on tool

The following pictograms are shown on the tool:



Warning! To reduce the risk of injury, the user must read the instruction manual.



Wear safety glasses or goggles when operating this



Wear ear protection when operating this tool.



Always remove the battery from the appliance before performing any cleaning or maintenance.



Do not expose the tool to rain or high humidity.



Keep hands away from blades.



Beware of falling objects. Keep bystanders away.

Beware of sharp blades. Blades continue to move after the motor is switched off.



The charger is intended for indoor use only.

Electrical safety



Your charger is double insulated; therefore no earth wire is required. Always check that the mains voltage corresponds to the voltage on the rating plate. Never attempt to replace the charger unit with a regular mains plug.

- ◆ If the supply cord is damaged, it must be replaced by the manufacturer or an authorised BLACK+DECKER Service Centre in order to avoid a hazard.

Additional safety instructions for batteries and chargers

Batteries

- ◆ Never attempt to open for any reason.
- ◆ Do not expose the battery to water.
- ◆ Do not expose the battery to heat.
- ◆ Do not store in locations where the temperature may exceed 40 °C.
- ◆ Charge only at ambient temperatures between 10 °C and 40 °C.
- ◆ Charge only using the charger provided with the tool.
- ◆ When disposing of batteries, follow the instructions given in the section "Protecting the environment".
- ◆ Do not damage or deform the battery either by puncture or impact, as this can create a risk of injury and fire.
- ◆ Do not charge damaged batteries.

Chargers

Warning! Your charger has been designed for a specific voltage. Always check that the mains voltage corresponds to the voltage on the rating plate.

Warning! Never attempt to replace the charger unit with a regular mains plug.

- ◆ Use your BLACK+DECKER charger only to charge the battery in the tool with which it was supplied. Other batteries could burst, causing personal injury and damage.
- ◆ Never attempt to charge non-rechargeable batteries.
- ◆ If the supply cord is damaged, it must be replaced by the manufacturer or an authorised BLACK+DECKER Service Centre in order to avoid hazard.
- ◆ Do not expose the charger to water.
- ◆ Do not open the charger.
- ◆ Do not probe the charger.

Features

1. Trigger switch
2. Lock-off switch
3. Battery release button
4. Battery pack
5. Grass shear blade
6. Shrub trim blade
7. Main handle

Charging a battery

BLACK+DECKER chargers are designed to charge BLACK+DECKER battery packs.

- ◆ Plug the charger into an appropriate outlet.
- ◆ Insert and fully seat battery pack. Green charging light will continuously blink while charging.
- ◆ Charging is complete when the green charging light remains continuously ON. Battery pack can be left in charger or removed.
- ◆ Recharge discharged batteries as soon as possible after use or battery life may be greatly diminished. For longest battery life, do not discharge batteries fully. It is recommended that the batteries be recharged after each use.

Charger diagnostics

This charger is designed to detect certain problems that can arise with the battery packs or the power source. Problems are indicated by one LED flashing in different patterns.

Bad battery

The charger can detect a weak or damaged battery. The LED flashes in the pattern indicated on the label.

If you see this bad battery blink pattern, do not continue to charge the battery. Return it to a service center or a collection site for recycling.

The following symbols are found on your charger:

Hot/cold pack delay

When the charger detects a battery that is excessively hot or excessively cold, it automatically starts a Hot/Cold Pack Delay, suspending charging until the battery has normalized. After this happens, the charger automatically switches to the Pack Charging mode. This feature ensures maximum battery life. The light flashes in the pattern indicated on the label.

Leaving the battery in the charger

The charger and battery pack can be left connected with the LED glowing indefinitely. The charger will keep the battery pack fresh and fully charged.

This charger features an automatic tune-up mode which equals or balances the individual cells in the battery pack to allow it to function at peak capacity.

Battery packs should be tuned up weekly or whenever the battery no longer delivers the same amount of work. To use the automatic tune-up mode, place the battery pack in the charger and leave it for at least 8 hours.

Important charging notes

- ◆ Longest life and best performance can be obtained if the battery pack is charged when the air temperature is between 18 ° – 24 °C. DO NOT charge the battery pack in an air temperature below +4.5 °C, or above +40 °C. This is important and will prevent serious damage to the battery pack.
- ◆ The charger and battery pack may become warm to the touch while charging. This is a normal condition, and does not indicate a problem.
To facilitate the cooling of the battery pack after use, avoid placing the charger or battery pack in a warm environment such as in a metal shed or an uninsulated trailer.
- ◆ If the battery pack does not charge properly:
 - ◆ Check operation of receptacle by plugging in a lamp or other appliance;
 - ◆ Check to see if receptacle is connected to a light switch which turns power off when you turn out the lights;
 - ◆ Move the charger and battery pack to a location where the surrounding air temperature is approximately 18 ° – 24 °C;
 - ◆ If charging problems persist, take the tool, battery pack and charger to your local service center.
- ◆ The battery pack should be recharged when it fails to produce sufficient power on jobs which were easily done previously. DO NOT CONTINUE to use under these conditions.
Follow the charging procedure. You may also charge a partially used pack whenever you desire with no adverse effect on the battery pack.
- ◆ Foreign materials of a conductive nature such as, but

not limited to, grinding dust, metal chips, steel wool, aluminum foil, or any buildup of metallic particles should be kept away from charger cavities. Unplug the charger before attempting to clean.

- ◆ Do not freeze or immerse the charger in water or any other liquid.

Installing and removing the battery pack (Fig. C)

Note: For best results, make sure your battery pack is fully charged.

- ◆ To install the battery pack (4) into the tool handle, align the battery pack with the rails inside the tool's handle and slide it into the handle until the battery pack is firmly seated in the tool and ensure that it does not disengage.
- ◆ To remove the battery pack from the tool, press the release button (3) and firmly pull the battery pack out of the tool handle. Insert it into the charger as described in the charger section of this manual.

Assembly

Warning! To reduce the risk of serious personal injury, turn unit off and remove the battery pack before making any adjustments or removing/installing attachments or accessories. An accidental start-up can cause injury.

Fitting and removing blades (Fig. A, B)

The grass shear blade (5) has been designed for trimming grass and weeds. The shrub trim blade (6) has been designed for trimming hedges and shrubs.

- ◆ To fit the blade, remove the blade cover (8) by pushing and holding the blade release button (9) in the direction of the arrow (Fig. A)
- ◆ Remove the blade cover (8) (Fig. B).
- ◆ Align the positioning pin holes (10) on the blade with the positioning pins (11) .
- ◆ Replace the blade cover (8) as shown in Fig. B.
- ◆ The blade release button snaps into closed position.

Proper hand position (Fig. D)

Warning! To reduce the risk of serious personal injury, ALWAYS use proper hand position as shown.

Warning! To reduce the risk of serious personal injury, ALWAYS hold securely in anticipation of a sudden reaction. Proper hand position requires one hand on the main handle (7).

Warning! Blades coast after turn off.

Warning! KEEP other hand away from blade.

Trigger switch

Warning! Never attempt to lock a switch in the ON position.

Warning! Do not use blade to cut stems greater than 8 mm.

Use the trimmer only for cutting normal shrubbery around houses and buildings.

To turn the tool "ON", shift the lock off switch (2) and squeeze the trigger switch (1). Once the unit is running, you may release the lock off switch.

To turn the tool "OFF", release the trigger.

Hints for optimum use (Figs. E, F, G, H, I)

Trimming grass (Fig. E, F)

Warning! Blades coast after turn off.

- ◆ In order to achieve optimum cutting results, only cut dry grass.
- ◆ Hold the tool as shown in Fig. G. Keep your other hand well away from the blade. Maintain a stable working position so that you do not slip. Do not overreach.
- ◆ When cutting long grass, work in stages from the top. Take small cuts.
- ◆ Keep the tool away from hard objects and delicate plants.
- ◆ If the tool starts running slowly, reduce the load.
- ◆ To make a closer cut, slightly tilt the tool.

Trimming hedges (Fig. G, H, I)

Warning! Blades coast after turn off.

- ◆ Slightly tilt the tool (up to 15° relative to the line of cut) so that the blade tips point slightly towards the hedge. This will cause the blades to cut more effectively.
- ◆ Start by trimming the top of the hedge.
- ◆ Hold the tool at the desired angle and move it steadily along the line of cut. The double-sided blade allows you to cut in either direction.
- ◆ In order to obtain a very straight cut, stretch a piece of string along the length of the hedge at the desired height. Use the string as a guide line, cutting just above it.
- ◆ In order to obtain flat sides, cut upwards with the growth. Younger stems move outwards when the blade cuts downwards, causing shallow patches in the hedge.
- ◆ Take care to avoid any foreign objects. Especially avoid hard objects such as metal wire and railings, as these could damage the blades.
- ◆ Regularly oil the blades.

Maintenance

Your BLACK+DECKER tool has been designed to operate over a long period of time with a minimum of maintenance. Continuous satisfactory operation depends upon proper tool care and regular cleaning.

Your charger does not require any maintenance apart from regular cleaning.

Warning! Before performing any maintenance on the tool, switch off the tool. Unplug the charger before cleaning it.

- ◆ Regularly clean the ventilation slots in your tool and charger using a soft brush or dry cloth.
- ◆ Regularly clean the motor housing using a damp cloth. Do not use any abrasive or solvent-based cleaner.
- ◆ After use, carefully clean the blades. After cleaning, apply a film of light machine oil to prevent the blades from rusting.

Storage

When the tool will not be used for several months, ideally leave the battery connected to the charger. Otherwise proceed as follows:

- ◆ Fully charge the battery.
- ◆ Store the tool in a secure and dry location. The storage temperature must always remain in the range of +5 °C to +40 °C.
- ◆ Before using the tool after prolonged storage, fully charge the battery again.

Protecting the environment



Separate collection. Products and batteries marked with this symbol must not be disposed of with normal household waste.

Products and batteries contain materials that can be recovered or recycled reducing the demand for raw materials. Please recycle electrical products and batteries according to local provisions.

Technical data

		BCSS20	
Voltage	V	18 (20 Max)	
Blade Length (shear)	cm	10	
Blade gap (shear)	mm	23	
Blade Length (trimmer)	cm	20	
Blade gap (trimmer)	mm	8	
Weight	kg	0.84	

Batteries				Charger (minutes)					
Cat#	Vdc	Ah	Weight Kg	Cat#	N588726*	N517388*	BDC1A	BDC2A	BDC2A36
				Amps	400mA	1A	1A	2A	1.35A
BL1518	18	1.5	0.38	BL1518	225	90	90	25	X
BL1518ST	18	1.5	0.38	BL1518ST	225	90	90	45	X
BL2018	18	2.0	0.39	BL2018	300	120	120	60	X
BL2018ST	18	2.0	0.39	BL2018ST	300	120	120	60	X
BL2518	18	2.5	0.43	BL2518	380	150	150	75	X
BL4018	18	4.0	0.64	BL4018	600	240	240	120	X

BL5018	18	5.0	0.7	BL5018	750	300	300	135	X
BL20362	36	2.0	0.64	BL20362	X	X	X	X	90
BL2536	36	2.5	0.68	BL2536	X	X	X	X	110
BL1554	18/54	1.5	1.08	BL1554	225	90	90	45	X
BL2554	18/54	2.5	1.2	BL2554	380	150	150	75	X

Service Information

BLACK+DECKER offers a full network of company-owned and authorized service locations throughout Asia. All BLACK+DECKER Service Centers are staffed with trained personnel to provide customers with efficient and reliable product service.

Whether you need technical advice, repair, or genuine factory replacement parts, contact the BLACK+DECKER location nearest to you.

Note

- ◆ BLACK+DECKER's policy is one of continuous improvement to our products and, as such, we reserve the right to change product specifications without prior notice.
- ◆ Standard equipment and accessories may vary by country.
- ◆ Product specifications may differ by country.

Tujuan penggunaan

Alat pemangkas tanaman BLACK+DECKER BCSS20 Anda sudah didesain untuk memangkas rumput, tanaman pagar, semak-semak, dan semak berduri. Pemakaian mesin ini ditujukan untuk rumah tangga.

Petunjuk keselamatan

Peringatan umum untuk keselamatan perkakas listrik



Peringatan! Baca semua peringatan keamanan, instruksi. Jika peringatan serta instruksi yang dicantumkan tidak dipatuhi, dapat menimbulkan sengatan listrik, kebakaran, dan/atau cedera parah.

Simpan seluruh peringatan dan petunjuk sebagai acuan di kemudian hari. Kata "perangkat listrik" yang terkandung dalam buku panduan ini merupakan perangkat listrik (berkabel) yang dinyalakan dengan sumber listrik atau perangkat listrik (tanpa kabel) yang dinyalakan menggunakan baterai.

1. Keselamatan area kerja

- a. **Jaga agar area kerja tetap bersih dan terang.** Area yang berantakan atau gelap berpotensi mengakibatkan kecelakaan.
- b. **Jangan mengoperasikan perkakas listrik ini di lingkungan yang mudah menimbulkan bahaya ledakan, seperti di tempat yang terdapat cairan, gas, atau debu yang mudah terbakar.** Perkakas listrik menimbulkan percikan api yang dapat menyulut debu atau uap.
- c. **Jauhkan anak-anak dan orang-orang di sekitar Anda saat mengoperasikan perkakas listrik.** Gangguan dapat menyebabkan Anda kehilangan kendali.

2. Keselamatan kelistrikan

- a. **Steker perkakas listrik harus sesuai dengan soketnya. Jangan pernah memodifikasi steker dengan cara apa pun.** Jangan gunakan steker adaptor apa pun dengan perkakas listrik yang dibumikan (diardekan). Steker dan stopkontak yang tidak dimodifikasi akan mengurangi risiko sengatan listrik.
- b. **Hindari kontak badan dengan permukaan yang dibumikan (grounded), seperti pipa, radiator, kompor, dan kulkas.** Risiko sengatan listrik dapat meningkat jika tubuh Anda bersentuhan dengan permukaan yang dibumikan.
- c. **Jangan sampai perkakas listrik ini terkena hujan atau berada dalam kondisi basah.** Air yang masuk ke perkakas listrik akan meningkatkan risiko sengatan listrik.

- d. **Jangan menyalahgunakan kabel. Jangan sekali-kali menggunakan kabel untuk membawa, menarik, atau mencabut perkakas listrik. Jauhkan kabel dari panas, minyak, tepi tajam, atau bagian dari alat yang bergerak.** Kabel yang rusak atau terbelit meningkatkan risiko sengatan listrik.
- e. **Bila mengoperasikan perkakas listrik di luar ruangan, gunakan kabel ekstensi yang sesuai untuk penggunaan di luar ruangan.** Menggunakan kabel yang sesuai untuk penggunaan di luar ruangan akan mengurangi risiko sengatan listrik.
- f. **Jika harus menggunakan perkakas listrik di lokasi yang lembab, gunakan suplai yang dilindungi oleh perangkat arus sisa (RCD).** Penggunaan RCD akan mengurangi risiko sengatan listrik.

3. Keselamatan diri

- a. **Tetap waspada, perhatikan apa yang Anda kerjakan dan gunakan akal sehat saat mengoperasikan perkakas listrik. Jangan mengoperasikan perkakas listrik bila Anda sedang lelah, atau berada di bawah pengaruh obat, alkohol, atau pengobatan.** Kelalaian saat mengoperasikan perkakas listrik dapat mengakibatkan cedera yang serius.
- b. **Gunakan peralatan pelindung diri. Selalu kenakan alat pelindung mata.** Peralatan pelindung, seperti masker debu, sepatu keselamatan antiselip, helm proyek, atau pelindung telinga yang digunakan sesuai dengan kondisi akan mengurangi risiko cedera diri.
- c. **Hindarkan menyalakan alat tanpa disengaja. Pastikan tombol menyala/mati berada dalam posisi mati sebelum menghubungkannya ke sumber listrik, atau baterai, disaat mengangkat ataupun membawa perkakas.** Membawa atau menghidupkan perkakas listrik dengan posisi jari pada tombol dalam kondisi mesin menyala dapat menyebabkan terjadi kecelakaan.
- d. **Lepaskan semua kunci setelah atau kunci pas sebelum menghidupkan perkakas listrik.** Kunci pas atau kunci yang dibiarkan terpasang pada komponen perkakas listrik yang berputar dapat mengakibatkan cedera diri.
- e. **Jangan melampaui batas pijakan. Selalu jaga pijakan dan keseimbangan dengan baik.** Hal ini memungkinkan Anda untuk mengendalikan perkakas listrik secara lebih baik dalam situasi yang tidak terduga.
- f. **Kenakan pakaian yang sesuai. Jangan mengenakan pakaian longgar atau perhiasan. Jauhkan rambut, pakaian dan sarung tangan dari komponen yang bergerak.** Pakaian yang longgar, perhiasan atau rambut panjang dapat tersangkut pada komponen yang bergerak.
- g. **Jika terdapat aksesoris sambungan fasilitas**

pengeluaran dan pengumpulan debu, pastikan perangkat ini terpasang dan terpasang dengan sesuai. Penggunaan alat penghisap debu dapat mengurangi bahaya yang ditimbulkan oleh debu.

4. Penggunaan dan pemeliharaan perkakas listrik

- a. **Jangan gunakan perkakas listrik dengan sembarang. Gunakan perkakas listrik yang sesuai untuk aplikasi Anda.** Perkakas listrik yang tepat akan bekerja lebih baik dan aman pada tingkatan kerja yang telah dirancang untuk alat tersebut.
- b. **Jangan gunakan perkakas listrik ini jika tombol menghidupkan atau mematikan alat tidak berfungsi.** Perkakas listrik apa pun yang tidak dapat dikendalikan dengan tombol adalah berbahaya dan harus diperbaiki.
- c. **Lepaskan stopkontak dari sumber listrik dan/atau baterai dari perkakas listrik sebelum melakukan penyetulan apa pun, mengganti aksesoris, atau menyimpan perkakas listrik.** Tindakan pencegahan untuk keselamatan seperti itu akan mengurangi risiko menyalakan perkakas listrik secara tidak disengaja.
- d. **Simpan perkakas listrik yang tidak digunakan jauh dari jangkauan anak-anak, dan jangan biarkan orang yang tidak memahami perkakas listrik atau petunjuk ini untuk mengoperasikannya.** Perkakas listrik dapat berbahaya bila digunakan oleh pengguna yang tidak terlatih.
- e. **Rawat perkakas listrik.** Lakukan pemeriksaan untuk mengetahui jika ada komponen bergerak yang tidak sejajar atau bengkok, komponen yang patah, dan kondisi lainnya yang dapat memengaruhi pengoperasian perkakas listrik. Jika rusak, perbaiki perkakas listrik sebelum digunakan. Banyak kecelakaan terjadi akibat perkakas listrik yang tidak terawat dengan baik.
- f. **Jaga ketajaman dan kebersihan alat pemotong.** Alat pemotong yang terawat dengan baik dengan mata potong yang tajam, akan lebih mudah digunakan.
- g. **Gunakan perkakas listrik, aksesoris, mata bor dan sebagainya, sesuai petunjuk ini, dengan memperhitungkan persyaratan kerja dan jenis pekerjaan yang harus dilakukan.** Penggunaan perkakas listrik untuk pengoperasian yang tidak sesuai dengan tujuan penggunaan dapat mengakibatkan situasi yang berbahaya.

5. Penggunaan dan pemeliharaan alat baterai

- a. **Isi daya baterai hanya dengan pengisi daya yang sudah ditentukan oleh produsen.** Alat pengisi daya sebaiknya hanya digunakan untuk baterai yang sesuai, jika alat pengisi daya tidak sesuai dengan jenis baterai maka berisiko menimbulkan kebakaran.

- b. **Gunakan perkakas listrik hanya dengan kemasan baterai yang telah ditentukan secara khusus.** Penggunaan unit baterai lain dapat menimbulkan risiko cedera dan kebakaran.
- c. **Saat unit baterai tidak digunakan, jauhkan dari benda logam lainnya, seperti klip kertas, koin, kunci, paku, sekrup, atau benda logam kecil lainnya, yang dapat membuat sambungan dari satu terminal ke terminal lainnya.** Menghubungkan terminal baterai dapat menyebabkan luka bakar atau kebakaran.
- d. **Dalam kondisi buruk, cairan dapat keluar dari baterai; hindari kontak. Jika terjadi kontak secara tidak sengaja, siram dengan air. Jika cairan mengenai mata, segera dapatkan bantuan medis.** Cairan yang keluar dari baterai dapat menyebabkan iritasi atau luka bakar.
- e. **Jangan gunakan paket baterai atau alat yang rusak atau dimodifikasi.** Baterai yang rusak atau dimodifikasi dapat memberikan hasil yang tidak terduga yang mengakibatkan kebakaran, ledakan, atau risiko cedera.
- f. **Jauhkan unit baterai atau alat dari api atau suhu yang berlebihan.** Paparan api atau suhu di atas 130°C dapat menyebabkan ledakan.
- g. **Ikuti semua petunjuk pengisian daya dan jangan mengisi baterai atau alat di luar kisaran suhu yang ditentukan dalam petunjuk.** Pengisian daya yang tidak benar atau pada suhu di luar rentang yang ditentukan dapat merusak baterai dan meningkatkan risiko kebakaran.

6. Servis

- a. **Perkakas listrik sebaiknya diservis oleh teknisi yang berkualifikasi dan hanya menggunakan komponen pengganti yang persis sama.** Hal ini akan membuat keamanan perkakas listrik selalu terjaga.
- b. **Jangan memperbaiki unit baterai yang rusak.** Servis paket baterai hanya boleh dilakukan oleh pabrikan atau penyedia layanan resmi.

Peringatan keselamatan perangkat listrik tambahan



Peringatan! keselamatan perangkat listrik tambahan

- ◆ **Jauhkan anggota tubuh dari bagian pisau pemotong mesin. Jangan melepaskan benda yang dipotong serta memegang benda yang akan dipotong ketika pisau mesin masih bergerak.** Pastikan perangkat dalam keadaan mati ketika membersihkan benda yang tersangkut. Kelalaian sesaat ketika perhatian berkurang selama mengoperasikan mesin pemangkas tanaman bisa menyebabkan cedera yang serius pada diri.

- ◆ **Pegang mesin pemangkas dahan tanaman pada gagangnya saat pisau pemotong tidak bergerak. Selalu pasang penutup alat pemotong ketika sedang memindahkan atau menyimpan mesin pemangkas tanaman.** Pemakaian mesin pemangkas tanaman yang baik akan mengurangi risiko cedera pada diri akibat pisau pemotong.
- ◆ **Pegang perangkat listrik pada bagian permukaan pegangan yang terisolasi, karena pisau pemotong bisa berkontak dengan kabel yang tersembunyi.** Jika pisau pemotong bersentuhan dengan kabel yang "menyala" maka dapat menyebabkan perangkat listrik yang terpapar keluar "menghantarkan arus listrik" sehingga menimbulkan sengatan listrik pada operator.
- ◆ **Jaga agar kabel berada jauh dari arah tempat pemotongan.** Selama pekerjaan, kabel bisa saja berada di di balik semak-semak bisa terpotong tanpa disengaja.
- ◆ Perangkat ini tidak diperuntukkan pemakaiannya untuk orang-orang (termasuk anak-anak) dengan penurunan kemampuan fisik, indra atau mental, ataupun bagi yang kurang berpengalaman dan berpengetahuan, kecuali mereka sudah menerima pengawasan atau instruksi terkait pemakaian perangkat yang aman dari individu yang bertanggung-jawab atas keselamatan mereka. Anak-anak harus diawasi dan dipastikan bahwa mereka tidak memainkan perangkat.
- ◆ Tujuan pemakaian perangkat dituliskan dalam petunjuk penggunaan ini. Pemakaian aksesoris atau alat pelengkap maupun pengerjaan aktivitas apapun dengan perangkat ini selain yang telah direkomendasikan dalam petunjuk penggunaan ini bisa berisiko menyebabkan cedera pada diri dan/atau kerusakan harta benda.
- ◆ Jangan membawa mesin dengan posisi tangan Anda yang berada di sakelar gagang depan atau sakelar picu, kecuali baterai sudah dikeluarkan dari mesin.
- ◆ Bila Anda belum pernah memakai mesin pemangkas tanaman sebelumnya, sebaiknya selain mempelajari petunjuk penggunaan ini, minta juga petunjuk praktis dari pengguna yang sudah berpengalaman.
- ◆ Jangan pernah menyentuh pisau mesin saat perangkat sedang berjalan
- ◆ Jangan pernah memaksakan pisau untuk berhenti bergerak.
- ◆ Jangan meletakkan perangkat di bawah sampai pisau mesin berhenti bergerak sepenuhnya.
- ◆ Periksa bila terdapat kerusakan atau keausan pada pisau secara rutin. Jangan memakai perangkat ketika pisau dalam kondisi rusak.
- ◆ Berhati-hatilah agar tidak mengenai benda yang keras (seperti kabel logam atau pagar) saat sedang memangkas tanaman. Bila perangkat tidak sengaja membentur benda

keras tersebut, segera matikan perangkat dan periksalah bila ada kerusakan pada mesin.

- ◆ Jika perangkat mulai bergetar secara tidak normal, segera dimatikan dan periksa bila terdapat kerusakan.
- ◆ Bila perangkat mogok atau macet, segera matikan perangkat. Keluarkan baterai sebelum mencoba menyingkirkan benda yang menghalangi.
- ◆ Setelah pemakaian, pasang penutup yang telah disediakan pada pisau. Simpan perangkat dan pastikan bahwa pisau tidak terpapar ke luar.
- ◆ Selalu pastikan semua alat pelindung sudah terpasang saat memakai perangkat. Jangan pernah mencoba memakai perangkat yang tidak lengkap atau perangkat yang sudah dimodifikasi secara tidak sah.
- ◆ Anak-anak tidak diperbolehkan untuk memakai perangkat.
- ◆ Waspadalah terhadap serpihan tanaman atau kayu yang jatuh saat sedang memotong tangkai atau dahan tanaman pagar yang lebih tinggi.
- ◆ Selalu pegang perangkat dengan kedua tangan serta menggunakan gagang yang telah diberikan.

Risiko-risiko lain

Risiko-risiko lain dapat timbul saat menggunakan alat, yang mungkin tidak tercantum dalam peringatan keselamatan yang disertakan. Risiko-risiko ini dapat diakibatkan oleh penyalahgunaan, penggunaan yang terlalu lama, dsb. Sekalipun peraturan keselamatan terkait sudah diterapkan dan peralatan pengaman sudah digunakan, risiko residual tertentu tidak dapat dihindari. Ini meliputi:

- ◆ **Cedera yang diakibatkan karena menyentuh komponen apa pun yang berputar/bergerak.**
- ◆ **Cedera yang terjadi saat mengganti komponen, pemotong, atau aksesoris.**
- ◆ **Cedera yang diakibatkan karena penggunaan alat untuk waktu lama. Jika menggunakan alat apa pun untuk waktu yang lama, pastikan Anda mengistirahatkannya secara berkala.**
- ◆ **Kerusakan indra pendengaran.**
- ◆ **Bahaya kesehatan yang disebabkan oleh menghirup debu yang ditimbulkan oleh penggunaan alat (contoh: mengampelas kayu, khususnya kayu ek, papan kayu, dan MDF).**

Label pada perangkat

Piktogram di bawah ini bisa terlihat pada perangkat:



Peringatan! Untuk mengurangi risiko terjadinya cedera, pengguna wajib membaca petunjuk penggunaan



Kenakan kacamata atau goggle pelindung ketika sedang menjalankan perangkat ini



Pakai alat pelindung telinga ketika sedang menjalankan perangkat ini.



Selalu keluarkan baterai dari dalam perangkat sebelum melakukan pembersihan maupun pemeliharaan pada perangkat.



Jangan membuat perangkat terpapar hujan atau tempat dengan kelembapan yang tinggi.



Jauhkan tangan dari pisau mesin.



Berhati-hatilah pada benda yang berjatuh. Jauhkan orang-orang di sekitar dari pekerjaan.

Hati-hati pada pisau yang tajam. Pisau terus bergerak setelah mesin perangkat dimatikan.

Petunjuk tambahan tentang keselamatan baterai dan pengisi daya

Baterai

- ◆ Jangan coba buka dengan alasan apa pun.
- ◆ Jauhkan baterai dari air.
- ◆ Jauhkan baterai dari panas.
- ◆ Jangan simpan di lokasi dengan suhu yang dapat melebihi 40°C.
- ◆ Pengisian baterai dilakukan dalam suhu ruang antara 10°C hingga 40°C.
- ◆ Isi daya hanya menggunakan pengisi daya yang diberikan bersama peralatan/alat.
- ◆ Saat membuang baterai, ikuti petunjuk yang diberikan dalam bagian "Melindungi lingkungan".
- ◆ Jangan rusak/bongkar unit baterai dengan menusuk atau membantingnya, karena dapat menimbulkan risiko cedera dan kebakaran.
- ◆ Jangan isi daya baterai yang rusak.

Pengisi daya

Peringatan! Pengisi daya Anda sudah didesain untuk bekerja pada tegangan tertentu. Selalu periksa bila tegangan listrik utama sesuai dengan tegangan yang tertera pada plat rating.

Peringatan! Jangan pernah mencoba mengganti unit pengisi daya dengan steker kabel listrik biasa.

- ◆ Hanya pakai pengisi daya BLACK+DECKER Anda untuk

mengisi ulang daya baterai yang diberikan bersama perangkat.

Baterai lain bisa meledak dan menyebabkan kerusakan serta cedera pada diri.

- ◆ Jangan pernah mencoba untuk mengisi daya baterai yang tidak bisa diisi ulang.
- ◆ Bila ada kerusakan pada kabel listrik, kabel harus diganti oleh pabrik produsen atau oleh Pusat Layanan BLACK+DECKER resmi agar terhindar dari bahaya.
- ◆ Jangan membuat pengisi daya terpapar air.
- ◆ Jangan membuka pengisi daya.
- ◆ Jangan membuka dan memeriksa pengisi daya.

Simbol-simbol berikut dapat dilihat pada pengisi daya Anda:



Dudukan pengisi daya hanya ditujukan untuk penggunaan di dalam ruangan.

Keselamatan kerja listrik



Pengisi daya Anda memiliki insulasi ganda; oleh karenanya tidak diperlukan kabel arde. Selalu periksa bila tegangan listrik utama sesuai dengan tegangan yang tertera pada plat rating. Jangan pernah mencoba mengganti unit pengisi daya dengan steker kabel listrik biasa.

- ◆ Bila terdapat kerusakan pada kabel listrik, kabel wajib diganti oleh pabrik produsen atau oleh Pusat Layanan BLACK+DECKER resmi untuk menghindari terjadinya bahaya.

Fitur

1. Sakelar picu
2. Sakelar pengunci
3. Tombol pelepas baterai
4. Baterai
5. Pisau pencukur rumput
6. Pisau pemangkas semak
7. Gagang utama

Mengisi ulang daya baterai

Pengisi daya BLACK+DECKER didesain untuk mengisi ulang daya. Pak baterai BLACK+DECKER.

- ◆ Pasang kabel pengisi daya pada catu daya yang sesuai.
- ◆ Masukkan baterai sepenuhnya. Lampu pengisi daya yang berwarna hijau akan terus berkedip selama pengisian daya.
- ◆ Pengisian daya selesai ketika lampu pengisi daya terus MENYALA berwarna hijau. baterai bisa ditinggal pada pengisi daya atau dikeluarkan.

- ◆ Isi ulang daya baterai yang kosong secepat mungkin setelah pemakaian atau masa hidup baterai akan jauh berkurang. Untuk mendapat masa hidup terlama dari baterai, jangan kosongkan energi baterai seutuhnya. Direkomendasikan agar daya baterai diisi ulang setelah setiap pemakaian.

Diagnostik pengisi daya

Pengisi daya ini didesain untuk menemukan bila terdapat suatu masalah pada baterai atau catu daya listrik. Adanya masalah ditandai dengan satu lampu LED yang berkedip dengan pola yang berbeda.

Baterai tidak baik

Pengisi daya bisa menemukan baterai yang lemah atau rusak. Lampu LED berkedip sesuai pola yang ditandai pada label. Bila Anda melihat pola kerlipan lampu yang menandakan baterai tidak baik, jangan lanjutkan pengisian daya baterai. Kembalikan baterai ke pusat layanan atau tempat pengumpulan barang untuk didaur ulang.

Mode Penundaan Panas/Dingin Baterai

Ketika pengisi daya menemukan suhu baterai dalam kondisi terlalu panas atau terlalu dingin, alat akan memulai mode penundaan baterai yang panas/dingin secara otomatis, di mana pengisian daya akan ditunda sampai baterai kembali normal. Setelah hal ini terjadi, pengisi daya kemudian otomatis masuk ke dalam mode pengisian daya. Fitur ini memastikan baterai memiliki masa pemakaian yang maksimal. Lampu berkedip sesuai pola yang ditandai pada label.

Meninggalkan baterai pada pengisi daya

Pengisi daya dan baterai bisa dibiarkan terhubung yang bisa dilihat dari lampu LED yang terus menyala. Pengisi daya akan menjaga daya baterai tetap baru dan terisi penuh. Pengisi daya ini memiliki fitur mode tune up otomatis yang menyamakan atau menyeimbangkan sel-sel individu dari pak baterai sehingga baterai bisa berfungsi sampai kapasitas puncaknya. Baterai harus disetel setiap minggu atau kapanpun saat baterai sudah tidak bisa bekerja seperti dulu. Untuk memakai mode tune up otomatis, letakkan baterai pada pengisi daya dan tinggalkan baterai selama minimal 8 jam.

Catatan penting tentang pengisian

- ◆ Masa penggunaan paling lama dan kinerja terbaik dapat Anda peroleh jika daya baterai diisi pada suhu udara antara 18° – 24°C. JANGAN mengisi daya baterai di suhu udara di bawah +4.5°C, atau di atas +40°C. Ini penting dan akan mencegah kerusakan serius pada baterai.
- ◆ Pengisi daya dan unit baterai dapat menjadi hangat saat

disentuh ketika mengisi daya. Ini adalah kondisi normal, dan tidak menunjukkan adanya masalah. Untuk memfasilitasi pendinginan unit baterai setelah digunakan, hindari menempatkan pengisi daya atau unit baterai di lingkungan yang hangat seperti gudang logam atau trailer yang tidak berinsulasi.

- ◆ Jika baterai tidak mengisi daya dengan benar:
- ◆ Periksa pengoperasian wadah dengan mencolokkan lampu atau alat lain;
- ◆ Periksa apakah soket terhubung ke sakelar lampu yang mematikan daya saat Anda mematikan lampu;
- ◆ Pindahkan pengisi daya dan unit baterai ke lokasi dengan suhu udara sekitar 18° – 24°C;
- ◆ Jika masalah pengisian daya terus berlanjut, bawa alat, unit baterai, dan pengisi daya ke pusat servis setempat.
- ◆ Paket baterai harus diisi ulang jika gagal menghasilkan daya yang cukup untuk pekerjaan yang mudah dilakukan sebelumnya. JANGAN LANJUTKAN untuk menggunakan dalam kondisi ini. Ikuti prosedur pengisian daya. Anda juga dapat mengisi daya paket yang telah digunakan sebagian kapan pun Anda mau tanpa efek buruk pada paket baterai.
- ◆ Bahan asing yang bersifat konduktif seperti, debu gerinda, serpihan logam, sabut baja, aluminium foil, atau kumpulan partikel logam apa pun harus dijauhkan dari rongga pengisi daya. Cabut pengisi daya sebelum mencoba membersihkan.
- ◆ Jangan membekukan atau merendam pengisi daya di dalam air atau cairan lainnya

Memasang dan mengeluarkan pak baterai (Gambar C)

Catatan: Untuk mendapat hasil terbaik, pastikan daya baterai sudah terisi penuh.

- ◆ Untuk memasang baterai (4) pada gagang perangkat, sejajarkan baterai dengan rel di dalam gagang perangkat dan masukkan ke dalam gagang sampai pak baterai berada di tempatnya, pastikan agar baterai tidak terlepas dari perangkat.
- ◆ Untuk mengeluarkan baterai dari perangkat, tekan tombol pelepas baterai (3) dan tarik baterai dengan kuat dari gagang perangkat. Masukkan baterai ke dalam pengisi daya seperti yang sudah dijelaskan pada bagian pengisi daya dari petunjuk penggunaan ini.

Merangkai Alat

Peringatan! Untuk mengurangi risiko cedera pribadi yang serius, matikan unit dan keluarkan unit baterai sebelum melakukan penyetelan atau melepas/memasang attachment atau aksesoris. Start up yang tidak disengaja dapat menyebabkan cedera.

Pemasangan dan pelepasan pisau (Gambar A, B)

Pisau pencukur rumput (5) sudah didesain untuk memangkas tanaman dan rumput liar. Pisau pemangkas semak (6) sudah didesain untuk memangkas tanaman pagar dan semak-semak.

- ◆ Untuk memasang pisau, lepaskan selubung pisau (8) dengan menekan dan menahan tombol pelepas pisau (9) sesuai arah panah (Gambar A)
- ◆ Melepas selubung pisau (8) (Gambar B)
- ◆ Sejajarkan lubang pin posisi (10) pada pisau dengan pin pengaturan posisi (11).
- ◆ Ganti selubung pisau (8) seperti yang terlihat pada Gambar B.
- ◆ Tombol pelepas pisau akan masuk pada posisi tertutup.

Posisi tangan yang tepat (Gambar D)

Peringatan! Untuk mengurangi risiko cedera pribadi yang serius, SELALU gunakan posisi tangan yang benar seperti yang ditunjukkan.

Peringatan! Untuk mengurangi risiko cedera serius, SELALU pegang erat-erat untuk mengantisipasi reaksi mendadak. Posisi tangan yang tepat mengharuskan satu tangan pada pegangan utama(7).

Peringatan! Pisau bergerak keluar setelah dimatikan.

Peringatan! JAUHKAN tangan lainnya dari pisau.

Sakelar picu

Peringatan!Jangan pernah mencoba untuk membuat sakelar mesin terkunci dalam posisi MENGHIDUPKAN.

Peringatan!Jangan memakai pisau untuk memotong dahan dengan diameter yang lebih besar dari 8 mm.

Hanya gunakan alat pemangkas tanaman untuk memotong semak-semak normal di sekitar rumah dan bangunan.

Untuk "MENYALAKAN" perangkat, geser sakelar pengunci (2) perangkat dan tekan sakelar picu (1).Setelah unit berjalan, Anda bisa melepas jari dari sakelar pengunci.

Untuk "MEMATIKAN" perangkat, lepaskan sakelar picu.

Petunjuk untuk pemakaian optimal (Gambar E, F, G, H, I)

Memangkas rumput (Gambar E, F)

Peringatan!Pisau bergerak keluar setelah dimatikan.

- ◆ Untuk mendapat hasil potongan yang optimal, hanya potong rumput yang kering.
- ◆ Pegang perangkat seperti yang terlihat pada Gam. G. Jauhkan tangan lain dari pisau mesin. Jaga posisi Anda tetap stabil selama bekerja agar tidak tergelincir. Jangan mengulurkan tangan berlebihan.
- ◆ Saat memotong rumput yang panjang, bekerjalah secara

bertahap dari atas. Lakukan pemotongan-pemotongan kecil.

- ◆ Jauhkan perangkat dari benda yang keras dan tanaman yang mudah hancur.
- ◆ Bila perangkat mulai berjalan, turunkan muatannya secara perlahan.
- ◆ Untuk membuat potongan yang lebih dekat, perangkat bisa dimiringkan sedikit.

Memangkas tanaman pagar (Gambar G, H, I)

Peringatan!Pisau bergerak keluar setelah dimatikan.

- ◆ Perangkat bisa dimiringkan sedikit (sekitar 15o dari garis potongan) agar ujung pisau agak terarah pada tanaman pagar. Posisi ini akan membuat pisau bisa memotong secara lebih efektif.
- ◆ Mulailah pemangkasan dari bagian atas tanaman pagar.
- ◆ Pegang perangkat pada sudut yang diinginkan dan gerakkan perangkat secara terkontrol pada garis potongan. Pisau dua sisi membuat Anda bisa memotong pada salah satu arah.
- ◆ Untuk mendapat potongan yang sangat lurus, rentangkan seuntai benang di sepanjang pagar tanaman dengan ketinggian yang diinginkan. Gunakan untai benang tersebut sebagai panduan, dan Anda bisa memotong tepat di atasnya.
- ◆ Untuk mendapat sisi potongan yang datar, potong ke atas sesuai pertumbuhan tanaman. Batang yang lebih muda bergerak keluar saat pisau memotong ke bawah, menyebabkan munculnya potongan yang dangkal pada tanaman pagar.
- ◆ Berhati-hati dalam menghindari benda asing. Terutama benda yang keras seperti kabel logam dan pagar harus dihindari, karena benda tersebut dapat merusak pisau.
- ◆ Beri minyak pada pisau secara teratur.

Pemeliharaan

Peralatan/alat BLACK+DECKER berkabel/nirkabel dirancang untuk penggunaan jangka panjang dengan pemeliharaan minimal. Hasil penggunaan yang memuaskan, tergantung pada cara pemeliharaan yang benar dan pembersihan alat secara teratur.

Pengisi daya anda tidak memerlukan pemeliharaan selain pembersihan rutin.

Peringatan! Sebelum melakukan pemeliharaan pada perangkat, matikan perangkat terlebih dahulu. Cabut kabel pengisi daya sebelum melakukan pembersihan.

- ◆ Bersihkan lubang angin perangkat dan pengisi daya secara teratur dengan memakai sikat halus atau kain

kering.

- ◆ Bersihkan komponen motor housing secara teratur dengan memakai kain lembap.
Tidak boleh memakai pembersih yang berbahan pelarut atau abrasif.
- ◆ Setelah pemakaian, bersihkan pisau mesin dengan hati-hati. Setelah pembersihan, berikan selapis minyak mesin yang ringan untuk mencegah pisau agar tidak berkarat.

Penyimpanan

Ketika perangkat tidak akan dipakai selama beberapa bulan, sebaiknya baterai dibiarkan terhubung pada pengisi daya. Ikuti langkah-langkahnya sebagai berikut:

- ◆ Isi ulang daya baterai sampai penuh.
- ◆ Simpan perangkat di tempat yang kering dan aman. Suhu ruang penyimpanan harus berada dalam rentang +5°C sampai +40°C.
- ◆ Sebelum memakai perangkat setelah disimpan terlalu lama, isi ulang kembali daya baterai sampai penuh.

Melindungi lingkungan



Pengumpulan terpisah. Produk dan baterai yang ditandai dengan simbol ini tidak boleh dibuang bersama dengan sampah rumah tangga biasa.

Produk dan baterai berisi bahan yang dapat digunakan kembali atau didaur ulang yang mengurangi permintaan kebutuhan bahan baku. Daur ulang produk listrik dan baterai sesuai dengan ketentuan setempat.

Data teknis

		BCSS20	
Tegangan	V	18 (Maks20)	
Panjang Pisau (pencukur)	cm	10	
Celah pisau (pencukur)	mm	23	
Panjang Pisau (pemangkas tanaman)	cm	20	
Celah pisau (pemangkas tanaman)	mm	8	
Berat	kg	0.84	

Baterai				Pengisi daya (menit)					
Cat#	Vdc	Ah	Berat Kg	Cat#	N588726*	N517388*	BDC1A	BDC2A	BDC2A36
				Amps	400mA	1A	1A	2A	1.35A
BL1518	18	1.5	0.38	BL1518	225	90	90	25	X
BL1518ST	18	1.5	0.38	BL1518ST	225	90	90	45	X
BL2018	18	2.0	0.39	BL2018	300	120	120	60	X
BL2018ST	18	2.0	0.39	BL2018ST	300	120	120	60	X
BL2518	18	2.5	0.43	BL2518	380	150	150	75	X
BL4018	18	4.0	0.64	BL4018	600	240	240	120	X
BL5018	18	5.0	0.7	BL5018	750	300	300	135	X

BL20362	36	2.0	0.64	BL20362	X	X	X	X	90
BL2536	36	2.5	0.68	BL2536	X	X	X	X	110
BL1554	18/54	1.5	1.08	BL1554	225	90	90	45	X
BL2554	18/54	2.5	1.2	BL2554	380	150	150	75	X

Informasi Servis

BLACK+DECKER menawarkan jaringan lengkap lokasi servis resmi milik perusahaan di seluruh Asia. Semua Pusat Servis BLACK+DECKER memiliki staf terlatih agar dapat memberikan layanan produk yang efisien dan andal kepada konsumen.

Bila Anda membutuhkan saran teknis, perbaikan, atau suku cadang pengganti asli pabrik, hubungi lokasi Black + Decker terdekat.

CATATAN

- ◆ BLACK+DECKER memiliki kebijakan untuk terus meningkatkan produk dan karenanya, kami berhak mengubah spesifikasi kasi produk tanpa pemberitahuan sebelumnya.
- ◆ Perlengkapan dan aksesori standar mungkin berbeda menurut negara.
- ◆ Spesifikasi kasi produk mungkin berbeda menurut negara.

วัตถุประสงค์ในการใช้งาน

เครื่องตัดเล็ม/เครื่องตัดแต่งพุ่มไม้รุ่น BCSS20 ของ BLACK+DECKER ของคุณได้รับการออกแบบมาสำหรับการตัดเล็มหญ้า แนวไม้ พุ่มไม้ และหนามต้นไม้

ข้อปฏิบัติเพื่อความปลอดภัย

คำเตือนเพื่อความปลอดภัยสำหรับเครื่องมือไฟฟ้าทั่วไป



คำเตือน! โปรดอ่านคำเตือนเพื่อความปลอดภัยและคำแนะนำทั้งหมด การไม่ปฏิบัติตามคำเตือนและคำแนะนำเหล่านี้ อาจทำให้ถูกไฟฟ้าช็อต เกิดเพลิงไหม้ และ/หรือบาดเจ็บสาหัสได้

จัดเก็บเอกสารคำเตือนและคำแนะนำทั้งหมดไว้เพื่อการอ้างอิงในภายหลัง

คำว่า "เครื่องมือไฟฟ้า" ในคำเตือน หมายถึง เครื่องมือไฟฟ้า (แบบมีสาย) ที่ทำงานผ่านแหล่งจ่ายไฟหลัก หรือเครื่องมือไฟฟ้า (แบบไร้สาย) ที่ทำงานผ่านแบตเตอรี่

1. ความปลอดภัยในบริเวณที่ทำงาน

- รักษาความสะอาดและจัดให้มีแสงสว่างเพียงพอในบริเวณที่ทำงาน บริเวณที่มีดหรือมีของวางระเกะระกะอาจทำให้เกิดอุบัติเหตุได้
- ห้ามใช้เครื่องมือไฟฟ้าในบริเวณที่อาจเกิดการระเบิด เช่น ในสถานที่ที่มีของเหลว แก๊ส หรือฝุ่นละอองที่มีคุณสมบัติไวไฟ เครื่องมือไฟฟ้าจะทำให้เกิดประกายไฟที่อาจทำให้เกิดละอองไฟหรือเปลวไฟขึ้นได้
- ระวังไม่ให้เด็กและคนเดินผ่านไปมาเข้าใกล้ในขณะที่ใช้งานเครื่องมือไฟฟ้า สิ่งรบกวนอาจทำให้คุณเสียสมาธิได้

2. ความปลอดภัยทางไฟฟ้า

- ปลั๊กไฟของเครื่องต้องเป็นชนิดเดียวกันกับเต้ารับ ห้ามตัดแปลงปลั๊กไม่ว่าด้วยวิธีใด ห้ามใช้ปลั๊กอะแดปเตอร์ใดๆ กับเครื่องมือไฟฟ้าที่ต่อสายดิน (ลงกราวด์) ปลั๊กที่ไม่มีการตัดแปลงและเต้ารับชนิดเดียวกันจะช่วยลดความเสี่ยงจากการเกิดไฟฟ้าช็อต
- หลีกเลี่ยงการสัมผัสพื้นผิวที่ต่อสายดินหรือลงกราวด์ เช่น ท่อ หม้อน้ำ เต้าหุงต้ม และตู้เย็น มีความเสี่ยงเพิ่มขึ้นที่จะเกิดไฟฟ้าช็อตหากร่างกายเป็นสื่อเชื่อมต่อลงดินหรือลงกราวด์
- อย่าให้เครื่องมือไฟฟ้าถูกฝนหรืออยู่ในสภาพที่เปียกชื้น น้ำที่เข้าเครื่องมือไฟฟ้าจะเพิ่มความเสี่ยงในการเกิดไฟฟ้าช็อต
- ห้ามใช้สายไฟผิดวัตถุประสงค์ ห้ามใช้สายไฟเพื่อการหิ้ว ดึง หรือถอดปลั๊กเครื่องมือไฟฟ้า เก็บสายไฟให้พ้นจากความร้อน น้ำมัน ของมีคม หรือ ชิ้นส่วนที่กำลังเคลื่อนที่ สายไฟที่ชำรุดหรือพันกันเป็นการเพิ่มความเสี่ยงจากการถูกไฟฟ้าช็อต
- เมื่อใช้เครื่องมือไฟฟ้านอกอาคาร ให้ใช้สายต่อพ่วง

ที่เหมาะสมสำหรับการใช้งานนอกอาคาร ใช้สายไฟที่เหมาะสมสำหรับใช้นอกอาคารจะช่วยลดความเสี่ยงต่อการเกิดไฟฟ้าช็อต

- หากไม่สามารถหลีกเลี่ยงการใช้เครื่องมือไฟฟ้าในบริเวณที่ชื้นและได้ ใส่อุปกรณ์ป้องกันไฟดูด (RCD) การใช้ RCD จะช่วยลดความเสี่ยงในการถูกไฟฟ้าช็อต
- ### 3. ความปลอดภัยส่วนบุคคล
- ตื่นตัวและมีสมาธิกับสิ่งที่กำลังทำ รวมทั้ง ใช้สามัญสำนึกในขณะที่กำลังใช้งานเครื่องมือไฟฟ้า ห้ามใช้เครื่องมือไฟฟ้าในขณะที่คุณกำลังเหนื่อยหรือได้รับอิทธิพลจากยา แอลกอฮอล์ หรือการรักษายาบางอย่าง การขาดความระมัดระวังในการใช้เครื่องมือไฟฟ้าแม้ชั่วขณะหนึ่งอาจทำให้บาดเจ็บสาหัสได้
 - ใช้อุปกรณ์คุ้มครองความปลอดภัยส่วนบุคคล สวมอุปกรณ์ป้องกันดวงตาเสมอ อุปกรณ์ป้องกัน เช่น หน้ากากกันฝุ่น รองเท้านิรภัยกันส้น หมวกนิรภัย หรือ อุปกรณ์ป้องกันเสียงดังที่ใช้ในสภาวะที่เหมาะสมจะช่วยลดอาการบาดเจ็บทางร่างกาย
 - ป้องกันเครื่องเปิดทำงานโดยไม่ตั้งใจ สวิตช์ต้องอยู่ในตำแหน่งปิดก่อนที่จะเสียบปลั๊ก เช้าก่อนแหล่งจ่ายไฟ และ/หรือ ชุดแบตเตอรี่ หรือก่อนจะยกหรือหิ้วเครื่องมือ การยกเครื่องมือไฟฟ้าในขณะที่นิ้วอยู่ที่สวิตช์ หรือใช้เครื่องมือไฟฟ้าที่สวิตช์เปิดอยู่ อาจทำให้เกิดอุบัติเหตุได้
 - ถอดกุญแจปรับตั้งหรือประแจออกก่อนเปิดสวิตช์ เครื่องมือไฟฟ้า ประแจหรือกุญแจที่เสียบค้างอยู่ในชิ้นส่วนที่หมุนได้ของเครื่องมือไฟฟ้าอาจทำให้ได้รับบาดเจ็บได้
 - ห้ามยืนเขย่งเท้าขณะใช้เครื่อง ควรยืนในท่าที่เหมาะสมและสมดุลตลอดเวลา เพื่อช่วยในการควบคุมเครื่องมือไฟฟ้าได้ดียิ่งขึ้นในสถานการณ์ที่ไม่คาดคิด
 - แต่งกายให้เหมาะสม ห้ามสวมเสื้อผ่าหลวมหรือใส่เครื่องประดับ รวบผมและเสื้อผ้าให้ห่างจากชิ้นส่วนที่กำลังหมุน เสื้อผ้าที่หลวมหรือยาวรุ่มร่าม เครื่องประดับ หรือผมที่ยาวอาจเข้าไปพันกับชิ้นส่วนที่กำลังหมุน
 - หากมีอุปกรณ์สำหรับตัดและเก็บฝุ่น ต้องตรวจให้แน่ใจว่าได้เชื่อมต่อและใช้งานอุปกรณ์นั้นอย่างเหมาะสม การใช้อุปกรณ์เก็บฝุ่นจะช่วยลดอันตรายที่เกี่ยวข้องกับฝุ่นได้
 - อย่าให้ครอบครัวคนอื่นจากการใช้งานทำให้คุณประมาท และละเลยการปฏิบัติตามหลักการเพื่อความปลอดภัย การใช้งานโดยไม่ระมัดระวังทำให้เกิดการบาดเจ็บสาหัสได้ภายในเวลาเพียงเสี้ยววินาที
- ### 4. การใช้งานและการดูแลรักษาเครื่องมือไฟฟ้า
- ห้ามฝืนใช้เครื่องมือไฟฟ้า เลือกใช้เครื่องมือไฟฟ้าที่ถูกต้องตรงกับลักษณะการใช้งานของคุณ เครื่องมือไฟฟ้าที่ถูกต้องย่อมทำงานได้ดีกว่าและปลอดภัยกว่า เมื่อใช้งานตามปกติที่เครื่องมือได้รับเครื่องมือได้รับการออกแบบมา
 - ห้ามใช้เครื่องมือไฟฟ้าถ้าสวิตช์เปิดปิดเครื่องไม่ทำงาน เครื่องมือไฟฟ้าที่ไม่สามารถควบคุมผ่านสวิตช์ได้ ถือว่ามีความอันตรายและต้องส่งซ่อม

- c. ถอดปลั๊กของเครื่องมือไฟฟ้าออกจากแหล่งจ่ายไฟ และ/หรือหากถอดแบตเตอรี่ได้ ให้ถอดแบตเตอรี่ออกก่อนทำการปรับแต่ง เปลี่ยนอุปกรณ์เสริมหรือจัดเก็บเครื่องมือไฟฟ้า มาตรการเพื่อความปลอดภัยเชิงการป้องกันนี้จะช่วยลดความเสี่ยงในการเปลือเปิดเครื่องไฟฟ้าให้ทำงานโดยไม่ได้อังไฟ
- d. เก็บเครื่องมือไฟฟ้าที่ไม่ได้ใช้งานไว้ในหิ้งมือเด็ก และไมอนุญาตให้บุคคลที่ไม่คุ้นเคยกับเครื่องมือไฟฟ้าหรือคำแนะนำเหล่านี้เป็นผู้ใช้เครื่องมือ เครื่องมือไฟฟ้าจะเป็นอันตรายหากอยู่ในมือผู้ใช้ที่ไม่มีความชำนาญ
- e. บำรุงรักษาเครื่องมือไฟฟ้าและอุปกรณ์เสริมต่างๆ ตรวจสอบว่าชิ้นส่วนที่เคลื่อนที่ได้มีการวางไม่ตรงแนวหรือติดขัดหรือไม่ มีชิ้นส่วนที่แตกหัก และสภาพอื่นใดที่อาจส่งผลต่อการทำงานของเครื่องมือไฟฟ้าหรือไม่ หากชำรุดเสียหาย ให้นำเครื่องมือไปส่งซ่อมก่อนนำมาใช้ อุบัติเหตุจำนวนมากเกิดจากการดูแลรักษาเครื่องมือไฟฟ้าไม่ดีพอ
- f. เครื่องมือตัดตัดคมและสะอาดอยู่เสมอ เครื่องมือตัดที่ได้รับการดูแลรักษาอย่างถูกต้องและมีขอบตัดคมจะมีปัญหาติดขัดน้อย และควบคุมได้ง่ายกว่า
- g. ใช้เครื่องมือไฟฟ้า อุปกรณ์เสริม และดอกสว่านของเครื่องมือ เป็นต้น ให้ตรงตามข้อปฏิบัติเหล่านี้ โดยพิจารณาถึงสภาพการทำงานและงานที่ทำเป็นสำคัญ การใช้เครื่องมือไฟฟ้าทำงานอื่นนอกเหนือจากที่กำหนดไว้อาจทำให้เกิดอันตรายได้
- h. ตรวจสอบให้มือจับและพื้นผิวที่จับนั้นแห้ง สะอาดปราศจากน้ำมันและจาระบี มือจับและผิวสัมผัสที่ลื่นอาจทำให้เกิดการใช้งานที่ไม่ปลอดภัยและทำให้ไม่สามารถควบคุมเครื่องมือในสถานการณ์คับขันได้อย่างถูกต้อง
- 5. การใช้และการดูแลรักษาแบตเตอรี่**
- a. ชาร์จแบตเตอรี่ด้วยเครื่องชาร์จที่ผู้ผลิตแนะนำเท่านั้น เครื่องชาร์จที่เหมาะสมกับแบตเตอรี่แบบหนึ่งอาจทำให้เกิดไฟไหม้ได้ถ้านำมาใช้กับแบตเตอรี่อีกแบบหนึ่ง
- b. ใช้เครื่องมือไฟฟ้าเฉพาะกับก้อนแบตเตอรี่ที่ออกแบบมาเป็นพิเศษเท่านั้น การใช้แบตเตอรี่แบบอื่นอาจทำให้เกิดการบาดเจ็บหรือเกิดไฟไหม้ได้
- c. เมื่อไม่ได้ใช้ก้อนแบตเตอรี่ให้เก็บออกห่างจากรัดเชื้อเพลิงที่เป็นโลหะ เช่น คลิปหนีบกระดาษ เหรียญ กุญแจ เข็ม สกรูหรือวัตถุขนาดเล็กอื่นๆ ที่ห่างจากโลหะที่อาจทำให้เกิดการเชื่อมต่องจากขั้วหนึ่งไปอีกขั้วหนึ่ง การลัดวงจรบริเวณขั้วแบตเตอรี่อาจทำให้เกิดรอยไหม้หรือไฟไหม้ได้
- d. เมื่ออยู่ภายใต้สภาวะที่ไม่เหมาะสม อาจมีของเหลวไหลออกมาจากแบตเตอรี่ ให้หลีกเลี่ยงการสัมผัสกับของเหลวนี้ หากบังเอิญสัมผัสผิวหนังอย่าล้างออกด้วยน้ำปริมาณมาก หากของเหลวกระเด็นเข้าตา ควรรีบไปพบแพทย์ ของเหลวที่ออกมาจากแบตเตอรี่อาจทำให้เกิดอาการระคายเคืองหรือรอยไหม้ได้
- e. ห้ามใช้แบตเตอรี่หรือเครื่องมือที่มีการชำรุดเสียหาย

- หรือได้รับการดัดแปลง แบตเตอรี่ที่ชำรุดเสียหายหรือได้รับการดัดแปลงอาจทำให้เกิดเหตุการณ์ที่ไม่คาดคิด เช่น ไฟไหม้ ระเบิด หรือความเสี่ยงอันก่อให้เกิดการบาดเจ็บได้
- f. อย่าให้แบตเตอรี่หรือเครื่องมือถูกไฟไหม้หรืออยู่ในที่ที่มีอุณหภูมิสูงเกินไป หากแบตเตอรี่ถูกไฟไหม้หรืออยู่ในที่ที่มีอุณหภูมิสูงเกิน 130°C อาจทำให้เกิดการระเบิดได้
- g. ปฏิบัติตามคำแนะนำการชาร์จทุกขั้นตอนและไม่ชาร์จแบตเตอรี่หรือเครื่องมือในอุณหภูมิที่เกินจากที่กำหนดไว้ในคำแนะนำ การชาร์จที่ไม่ถูกต้องหรือในอุณหภูมิที่นอกเหนือจากที่กำหนดไว้อาจทำให้แบตเตอรี่เสียหายและเสี่ยงต่อการเกิดไฟไหม้ได้

6. การบริการ

- a. ให้ช่างซ่อมที่มีความชำนาญเป็นผู้ซ่อมเครื่องมือไฟฟ้า และใช้อะไหล่ของแท้เท่านั้น ซึ่งจะช่วยให้อายุการใช้งานของเครื่องมือไฟฟ้ายังมีความปลอดภัยอยู่
- b. ห้ามซ่อมแบตเตอรี่ที่ชำรุด ควรให้ผู้ผลิตหรือผู้ให้บริการที่ผ่านการรับรองเป็นผู้ซ่อมแบตเตอรี่เท่านั้น.

คำเตือนเพื่อความปลอดภัยเพิ่มเติมสำหรับการใช้เครื่องมือไฟฟ้า



คำเตือน! คำเตือนเพื่อความปลอดภัยเพิ่มเติมสำหรับเครื่องตัดแต่งกิ่งไม้

- ทุกส่วนของร่างกายของคุณต้องอยู่ไกลจากใบมีดตัดเตอร์อยู่เสมอ ห้ามขยับวัสดุที่ตัดหรือวัสดุที่จะตัดในขณะที่ใบมีดยังคงเคลื่อนไหวนอยู่ ตรวจสอบให้แน่ใจว่า คุณได้ปิดเครื่องแล้วเมื่อคุณจะนำวัสดุที่ตัดออก ช่วงเวลาที่คุณไม่ได้ใส่ใจในขณะที่คุณกำลังใช้เครื่องตัดแต่งกิ่งไม้อาจส่งผลให้เกิดการบาดเจ็บส่วนบุคคลร้ายแรงได้
- ถัดเครื่องตัดแต่งกิ่งไม้ด้วยด้ามจับโดยที่ไม่มัดตัดเตอร์หยุดทำงานแล้ว เมื่อจะขยับย้ายหรือจัดเก็บเครื่องตัดแต่งกิ่งไม้ คุณจะต้องปิดฝาครอบอุปกรณ์ตัดอยู่เสมอ การจัดการเครื่องตัดแต่งกิ่งไม้ไม่เหมาะสมจะช่วยลดการบาดเจ็บส่วนบุคคลที่อาจเกิดขึ้นจากใบมีดตัดเตอร์ได้
- ถัดเครื่องมือไฟฟ้าด้วยผิวหนังสำหรับการจับที่หุ้มฉนวนเท่านั้น เนื่องจากใบมีดตัดเตอร์อาจสัมผัสการเดินสายไฟที่ซ่อนอยู่ได้ ใบมีดตัดเตอร์ที่สัมผัสสายไฟ "ที่มีไฟฟ้าอยู่" อาจทำให้ชิ้นส่วนโลหะของเครื่องมือไฟฟ้า "ที่มีไฟฟ้าอยู่" ทำให้ผู้ใช้ปฏิบัติงานถูกไฟฟ้าดูดได้
- เก็บสายไฟให้ไกลจากบริเวณที่ทำการตัดอยู่เสมอ ในขณะที่ใช้งานเครื่องมือ สายไฟอาจซ่อนอยู่ในพุ่มไม้และอาจถูกตัดได้โดยไม่เจตนา
- เครื่องมือนี้ไม่ได้มีเจตนาเพื่อการใช้งานโดยบุคคลต่าง ๆ (รวมถึงเด็ก) ซึ่งมีความบกพร่องทางกายภาพ ประสาทสัมผัส หรือสภาพจิตใจ หรือขาดประสบการณ์และความรู้หากบุคคลดังกล่าวไม่ได้รับการควบคุมดูแลหรือได้รับการแนะนำเกี่ยวกับการใช้งานอุปกรณ์โดยผู้รับผิดชอบในความปลอดภัยของบุคคลดังกล่าว เด็กจะต้องอยู่ในการควบคุมดูแลเพื่อให้อันใจได้ว่า เด็กจะไม่เล่นกับอุปกรณ์นี้

- การใช้งานโดยเจตนาจะได้รับการระบุไว้ในคู่มือการใช้งานฉบับนี้ การใช้งานอุปกรณ์เสริมของส่วนต่อพ่วงหรือประสิทธิภาพของการใช้งานเครื่องมือนี้นอกเหนือจากที่ระบุไว้ในคู่มือการใช้งานฉบับนี้อาจก่อให้เกิดความเสี่ยงจากการบาดเจ็บส่วนบุคคล และ/หรือความเสียหายต่อทรัพย์สินได้
- ห้ามถือเครื่องมือด้วยมือของคุณบนสวิตช์ตามจับด้านหน้าหรือบนสวิตช์สั่งงานหากคุณไม่ได้ถอดแบตเตอรี่ออก
- หากคุณไม่เคยใช้เครื่องตัดแต่งกิ่งไม้มาก่อน คุณควรขอคำแนะนำในการปฏิบัติงานจากผู้ใช้งานที่มีประสบการณ์นอกเหนือไปจากการอ่านคู่มือการใช้งานฉบับนี้
- ห้ามสัมผัสใบมีดในขณะที่เครื่องมือยังคงทำงานอยู่
- ห้ามพยายามบังคับใบมีดให้หยุดนิ่ง
- ห้ามวางเครื่องมือลงจนกว่าใบมีดจะหยุดนิ่งสนิท
- หมั่นตรวจดูความเสียหายและการสึกหรอของใบมีดอยู่เสมอ ห้ามใช้เครื่องมือหากใบมีดชำรุดเสียหาย
- ดูแลเพื่อหลีกเลี่ยงวัตถุที่มีความแข็ง (เช่น ลวดโลหะ ราว) เมื่อทำการตัดเล็ม หากเครื่องมือของคุณไปถูกวัตถุดังกล่าวโดยไม่เจตนา คุณต้องปิดเครื่องและตรวจดูความเสียหายทันที
- หากเครื่องมือเริ่มสั่นสะเทือนมากผิดปกติ คุณต้องปิดเครื่องและตรวจดูความเสียหายทันที
- หากเครื่องมือหยุดกลางคัน คุณต้องปิดเครื่องทันที ถอดแบตเตอรี่ออกก่อนที่คุณจะพยายามนำสิ่งกีดขวางออก
- หลังจากใช้งาน ให้คุณครอบใบมีดด้วยปลอกใบมีดซึ่งได้รับการจัดมาให้พร้อมกับเครื่องมือ จัดเก็บเครื่องมือและตรวจให้แน่ใจว่า จัดเก็บใบมีดเรียบร้อยแล้ว
- ตรวจให้แน่ใจอยู่เสมอว่า คุณได้ใส่อุปกรณ์ป้องกันทั้งหมดแล้วเมื่อคุณจะใช้เครื่องมือ ห้ามพยายามใช้เครื่องมือที่อยู่ในสภาพไม่สมบูรณ์หรือเครื่องมือที่มีการตัดแปลงโดยไม่ได้รับอนุญาต
- ห้ามอนุญาตให้เด็กใช้เครื่องมือ
- ระวังเศษที่ร่วงหล่นเมื่อคุณตัดแต่งกิ่งไม้ที่อยู่สูง
- ถือเครื่องมือโดยใช้มือทั้งสองข้างและตามจับที่จัดมาให้พร้อมกับเครื่องมือ

ความเสี่ยงอื่น ๆ ที่ยังมีอยู่

ความเสี่ยงอื่น ๆ ที่ไม่ได้ระบุในคำเตือนเพื่อความปลอดภัยนี้อาจเกิดขึ้นได้เมื่อใช้เครื่องมือ ความเสี่ยงเหล่านี้อาจเกิดขึ้นจากการใช้งานอย่างไม่ถูกต้อง การใช้งานเป็นเวลานาน เป็นต้น

แม้ว่าจะปฏิบัติตามข้อกำหนดด้านความปลอดภัยที่เกี่ยวข้องและใส่อุปกรณ์นิรภัยแล้ว แต่ก็ไม่สามารถหลีกเลี่ยงความเสี่ยงอื่น ๆ ที่ยังมีอยู่อย่างใด ความเสี่ยงเหล่านี้ได้แก่:

- การบาดเจ็บที่เกิดจากการสัมผัสชิ้นส่วนที่หมุนหรือเคลื่อนที่
- การบาดเจ็บที่เกิดขึ้นขณะเปลี่ยนชิ้นส่วน ใบมีดหรืออุปกรณ์เสริมต่าง ๆ
- การบาดเจ็บที่เกิดจากการใช้เครื่องมือเป็นเวลานาน เมื่อใช้เครื่องมือเป็นระยะเวลานาน ต้องแน่ใจว่าคุณได้หยุดพักเป็นระยะ
- ความบกพร่องในการได้ยินเสียง

อันตรายต่อสุขภาพที่เกิดจากการสูดดมฝุ่นจากการใช้เครื่องมือ (ตัวอย่างเช่น การทำงานกับไม้ โดยเฉพาะไม้ฉัดไม้มีซ และไม้ MDF)

สัญลักษณ์บนเครื่องมือ

แผนภูมิรูปภาพพร้อมรหัสวันที่ดังต่อไปนี้จะได้รับการแสดงอยู่บนเครื่องมือ:



คำเตือน! เพื่อลดความเสี่ยงต่อการบาดเจ็บ ผู้ใช้ต้องอ่านคู่มือการใช้งานเล่มนี้



สวมแว่นตาที่รักษาหรือแว่นตาเมื่อใช้เครื่องมือนี้ทุกครั้ง



สวมอุปกรณ์ป้องกันหูเมื่อใช้งานเครื่องมือนี้ทุกครั้ง



ถอดแบตเตอรี่ออกจากอุปกรณ์นี้ทุกครั้งก่อนที่จะทำความสะอาดหรือทำการบำรุงรักษา



ห้ามให้อุปกรณ์นี้สัมผัสถูกฝนหรือความชื้นสูง



วางมือให้อยู่ห่างจากใบมีด



ระวังวัตถุที่ร่วงหล่น ค้นคืนยื่นดูให้อยู่ห่างออกไป



ระวังใบมีดที่แหลมคม ใบมีดจะยังคงเคลื่อนไหวอยู่หลังจากที่ปิดมอเตอร์แล้ว



ข้อปฏิบัติเพื่อความปลอดภัยเพิ่มเติมสำหรับแบตเตอรี่และที่ชาร์จ

แบตเตอรี่

- ห้ามพยายามแกะตัวแบตเตอรี่ในทุกรถ
- อย่าให้แบตเตอรี่สัมผัสน้ำ
- ห้ามให้แบตเตอรี่โดนความร้อน
- ห้ามเก็บแบตเตอรี่ในสถานที่ที่อุณหภูมิอาจสูงเกิน 40°C
- ชาร์จแบตเตอรี่ที่อุณหภูมิห้องระหว่าง 10°C ถึง 40°C เท่านั้น
- ชาร์จแบตเตอรี่ด้วยเครื่องชาร์จที่ใหม่พร้อมเครื่องเท่านั้น
- เมื่อจะทิ้งแบตเตอรี่ ให้ทำตามคำแนะนำในส่วน "การปกป้องสิ่งแวดล้อม"
- ห้ามทำให้อุปกรณ์ชาร์จชำรุดเสียหายหรือเสีรูปไม่ว่าจะโดยการเจาะหรือการกระแทกเนื่องจากการทำเช่นนั้นจะก่อให้เกิดความเสี่ยงจากการบาดเจ็บและไฟไหม้ได้
- ห้ามชาร์จแบตเตอรี่ที่ชำรุดเสียหาย

เครื่องชาร์จ

คำเตือน! ที่ชาร์จของคุณได้รับการออกแบบมาสำหรับแรงดันไฟฟ้าเฉพาะ ห้ามตรวจอายุเสมอว่า แรงดันไฟฟ้าของอุปกรณ์ไฟฟ้่าตรงตามแรงดันไฟฟ้าที่ระบุไว้บนแผ่นป้ายของเครื่องมือ

คำเตือน! ห้ามพยายามเปลี่ยนที่ชาร์จด้วยปลั๊กไฟทั่วไป

- ใช้เครื่องชาร์จ BLACK+DECKER เพื่อชาร์จแบตเตอรี่ภายในเครื่องที่ใหม่พร้อมกันเท่านั้น การชาร์จแบตเตอรี่ชนิดอื่นๆ อาจทำให้แบตเตอรี่ระเบิดและเกิดการบาดเจ็บและความเสียหายได้
- ห้ามชาร์จ แบตเตอรี่ชนิดชาร์จซ้ำไม่ได้
- หากสายจ่ายไฟชำรุดเสียหาย สายจ่ายไฟดังกล่าวต้องได้รับการเปลี่ยนโดยผู้ผลิตหรือศูนย์บริการที่ได้รับการอนุญาตของ BLACK+DECKER เท่านั้นเพื่อหลีกเลี่ยงอันตรายที่อาจจะเกิดขึ้น
- อย่าให้เครื่องชาร์จสัมผัสน้ำ
- ห้ามแกะเปิดเครื่องชาร์จ
- ห้ามใช้สิ่งใดแทนเข้าไปในตัวเครื่องชาร์จ

สัญลักษณ์ดังต่อไปนี้อาจพบได้บนที่ชาร์จของคุณ:



ฐานเครื่องชาร์จนี้มีวัตถุประสงค์เพื่อการใช้งานภายในห้องนั้น

ความปลอดภัยทางไฟฟ้า



ที่ชาร์จของคุณทั้งหมดสองชิ้น ดังนั้น จึงไม่จำเป็นต้องมีการเดินสายดิน ต้องตรวจกำลังไฟเพื่อให้ตรงกับแรงดันไฟฟ้าบนแผ่นแสดงพิกัดเสมอ ห้ามเปลี่ยนสายปลั๊กไฟของเครื่องชาร์จเป็นสายปลั๊กไฟธรรมดาโดยเด็ดขาด

- ถ้าสายไฟของตัวเครื่องชำรุดเสียหาย ต้องได้รับการเปลี่ยนโดยผู้ผลิตหรือศูนย์บริการของ BLACK+DECKER ที่ได้รับอนุญาต เพื่อหลีกเลี่ยงอันตรายที่อาจจะเกิดขึ้นได้

คุณลักษณะเด่น

1. สวิตช์สั่งงาน
2. สวิตช์ล็อคเครื่อง
3. ปุ่มปล่อยแบตเตอรี่
4. ชุดแบตเตอรี่
5. โหมดสำหรับการตัดเล็มหญ้า
6. โหมดสำหรับการตัดแต่งพุ่มไม้
7. ตั๋วฉับหลัก

การชาร์จแบตเตอรี่

ที่ชาร์จของ BLACK+DECKER ได้รับการออกแบบมาสำหรับ การชาร์จชุดแบตเตอรี่ของ BLACK+DECKER

- เลียบที่ชาร์จเข้ากับเต้ารับที่เหมาะสม
- ใส่ชุดแบตเตอรี่ให้อยู่กับที่จนแน่น ไฟแสดงการชาร์จสีเขียวจะกะพริบอย่างต่อเนื่องในขณะที่ทำการชาร์จ
- การชาร์จจะเสร็จสิ้นเมื่อไฟ LED แสดงการชาร์จสีเขียวยังคงสว่างอยู่อย่างต่อเนื่อง คุณสามารถทิ้งชุด

- แบตเตอรี่ไว้ในที่ชาร์จหรือจะถอดชุดแบตเตอรี่ออกก็ได้
- ชาร์จแบตเตอรี่ที่ใช้หมดแล้วซ้ำทันทีที่เป็นไปได้หลังการใช้งานมีเข็มนั้นอายุการใช้งานของแบตเตอรี่จะลดลงเป็นอย่างมาก เพื่ออายุการใช้งานที่ยาวนานที่สุด ห้ามไม่ให้คุณใช้แบตเตอรี่จนหมด แนะนำให้คุณชาร์จแบตเตอรี่ใหม่ทุกครั้งหลังการใช้งานในแต่ละครั้ง

การวินิจฉัยที่ชาร์จ

ที่ชาร์จนี้ได้รับการออกแบบให้สามารถตรวจจับปัญหาต่างๆ ที่เกิดขึ้นจากชุดแบตเตอรี่หรือแหล่งจ่ายไฟได้ ปัญหาต่างๆ จะได้รับการระบุโดยการสว่างของไฟ LED ในรูปแบบที่แตกต่างกันออกไป

แบตเตอรี่เสื่อม

ที่ชาร์จนี้สามารถตรวจจับแบตเตอรี่ที่อ่อนหรือชำรุดเสียหายได้ การสว่างของไฟ LED ในรูปแบบต่างๆ สามารถดูได้บนฉลาก หากคุณเห็นรูปแบบการกะพริบที่แสดงว่าแบตเตอรี่เสื่อม คุณจะต้องไม่ชาร์จแบตเตอรี่ต่อ แต่จะต้องส่งคืนแบตเตอรี่ดังกล่าวไปยังศูนย์บริการหรือสถานที่เก็บรวบรวมเพื่อการรีไซเคิล

ความล่าช้าที่เกิดจากความร้อน/ความเย็น

เมื่อเครื่องมือตรวจพบว่า แบตเตอรี่ร้อนเกินไปหรือเย็นเกินไป แบตเตอรี่จะเริ่มต้นความล่าช้าจากความร้อน/ความเย็นดังกล่าวโดยอัตโนมัติเพื่อระงับการชาร์จจนกว่าแบตเตอรี่จะกลับมามีอุณหภูมิปกติ จากนั้น ที่ชาร์จจะเปลี่ยนไปเป็นโหมดการชาร์จชุดแบตเตอรี่โดยอัตโนมัติ คุณลักษณะในข้อนี้จะช่วยให้แน่ใจได้ถึงอายุการใช้งานของแบตเตอรี่สูงสุด ความสว่างของไฟในลักษณะนี้สามารถดูได้บนฉลาก

การวางแบตเตอรี่ไว้ในที่ชาร์จ

คุณสามารถวางชุดแบตเตอรี่ไว้ในที่ชาร์จได้ ไฟ LED สีเขียวจะสว่างอย่างต่อเนื่อง ที่ชาร์จจะชาร์จชุดแบตเตอรี่ต่อไปเรื่อยๆ จนเต็ม

ที่ชาร์จนี้ไม่มีการปรับแต่งโดยอัตโนมัติซึ่งจะทำให้แบตเตอรี่แต่ละก้อนในชุดแบตเตอรี่เท่ากันหรือมีความสมดุลเพื่อให้แบตเตอรี่ทำงานได้อย่างเต็มความสามารถ ชุดแบตเตอรี่ควรได้รับการปรับแต่งทุกสัปดาห์หรือเมื่อใดก็ตามที่แบตเตอรี่ไม่ได้มอบปริมาณงานที่เท่ากันอีกต่อไป หากต้องการใช้โหมดการปรับแต่งโดยอัตโนมัติ ให้คุณวางชุดแบตเตอรี่ไว้ในที่ชาร์จ และทิ้งไว้เป็นเวลาอย่างน้อย 8 ชั่วโมง

หมายเหตุการชาร์จที่สำคัญ

- อายุการใช้งานที่ยาวนานที่สุดและประสิทธิภาพการทำงานที่ดีที่สุดจะไดมาจาก การชาร์จชุดแบตเตอรี่อุณหภูมิระหว่าง 18 ° – 24 °C ห้ามทำการชาร์จชุดแบตเตอรี่หากอุณหภูมิต่ำกว่า +4.5 °C) หรือสูงกว่า +40 °C นี่เป็นเรื่องที่สำคัญและจะช่วยป้องกันความเสียหายร้ายแรงที่มีต่อชุดแบตเตอรี่ได้
- ที่ชาร์จและชุดแบตเตอรี่อาจให้สัมผัสที่อุ่น ในขณะที่กำลังชาร์จซึ่งถือเป็นเรื่องปกติ และไม่ได้เป็นปัญหาแต่อย่างใด
- เพื่อให้ง่ายต่อการเย็นตัวของชุดแบตเตอรี่หลังการใช้

งาน ให้คุณหลีกเลี่ยงการวางที่ชาร์จหรือชุดแบตเตอรี่ไว้ในสภาพแวดล้อมที่อุ่น เช่น ระเบียงของที่เป็นโลหะหรือในรถพ่วงที่ไม่มีการกันความร้อน

- หากชุดแบตเตอรี่ไม่ทำการชาร์จอย่างเหมาะสม:
 - ตรวจสอบการทำงานของตัวรับโดยการเสียบตัวรับเข้ากับโคมไฟหรืออุปกรณ์อื่นๆ
 - ตรวจสอบว่า ตัวรับเชื่อมต่อเข้ากับสวิทช์ไฟซึ่งจะปิดไฟเมื่อคุณปิดไฟหรือไม่
 - ขั้วที่ชาร์จและชุดแบตเตอรี่ไปยังที่ซึ่งอุณหภูมิมีลมรอบที่ประมาณ 18 °C – 24 °C
 - หากปัญหาการชาร์จยังคงมีอยู่ ให้คุณนำเครื่องมือ ชุดแบตเตอรี่และที่ชาร์จไปศูนย์บริการท้องถิ่นของคุณ
 - ชุดแบตเตอรี่คว่าได้รับการชาร์จซ้ำเมื่อไม่สามารถให้พลังงานที่เคยเพียงพอเมื่อเทียบกับการทำงานก่อนหน้าได้ ห้ามใช้แบตเตอรี่ที่อยู่ในสถานะดังต่อไปนี้ปฏิบัติตามขั้นตอนการชาร์จ คุณสามารถชาร์จแบตเตอรี่ที่ใช้ไปแล้วเป็นบางส่วนได้เมื่อใดก็ตามที่คุณต้องการโดยไม่ส่งผลกระทบต่อชุดแบตเตอรี่
 - สิ่งแปลกปลอมที่เกิดจากธรรมชาติซึ่งรวมถึงแต่ไม่จำกัดเพียงฝุ่นจากการฝน เศษโลหะ ฝอยขีด อนุภาคนิวเคลียสหรือการเกิดอนุภาคโลหะต้องได้รับการกั้นให้อยู่ห่างจากช่องของที่ชาร์จ ถอดปลั๊กที่ชาร์จก่อนที่จะทำความสะอาดทุกครั้ง
 - ห้ามแช่แข็งหรือจุ่มที่ชาร์จลงในน้ำหรือของเหลวอื่นๆ

การใส่และการถอดชุดแบตเตอรี่ (รูป C)

- หมายเหตุ:** เพื่อให้ได้ผลลัพธ์ที่ดีที่สุด คุณต้องตรวจให้แน่ใจว่า ชุดแบตเตอรี่ของคุณได้รับการชาร์จจนเต็ม
- ในการใส่ชุดแบตเตอรี่ (4) เข้าไปในตามจับของเครื่องมือ ให้เรียงชุดแบตเตอรี่ลงในรางด้านในตามจับของเครื่องมือ และเลือกรางดังกล่าวเข้าไปในตามจับจนกระทั่งชุดแบตเตอรี่อยู่กับที่อย่างแน่นหนาในเครื่องมือ และตรวจให้แน่ใจว่า ชุดแบตเตอรี่จะไม่หลุดออกมา
 - ในการถอดชุดแบตเตอรี่ออกจากเครื่องมือ ให้คุณกดปุ่มปล่อย (3) และดึงชุดแบตเตอรี่ออกจากตามจับของเครื่องมือ ใส่ชุดแบตเตอรี่ลงในที่ชาร์จตามวิธีระบุไว้ในหัวข้อที่ชาร์จของคู่มือการใช้งานฉบับนี้

การประกอบ

คำเตือน! เพื่อลดความเสี่ยงจากการบาดเจ็บส่วนบุคคลร้ายแรง ปิดอุปกรณ์และถอดชุดแบตเตอรี่ออกก่อนที่จะทำการปรับหรือการถอด/การใส่ส่วนพ่วงหรืออุปกรณ์เสริม การเริ่มต้นการทำงานโดยไม่เจตนาอาจก่อให้เกิดการบาดเจ็บได้

การใส่และการถอดใบมีด (รูป A, B)

ใบมีดสำหรับการตัดเล็มหญ้า (5) ได้รับการออกแบบมาสำหรับการตัดเล็มหญ้าและวัชพืชในขณะที่ใบมีดสำหรับการตัดแต่งพุ่มไม้ (6) นั้นได้รับการออกแบบมาสำหรับการตัดแต่งพุ่มไม้และกิ่งไม้

- ในการใส่ใบมีด ให้คุณถอดฝาครอบใบมีด (8) ออกโดยการดันปุ่มปล่อยใบมีด (9) ด้านไว้ตามทิศทางของลูกศร (รูป A)

- ถอดฝาครอบใบมีด (8) (รูป B) ออก
- จัดเรียงของหมุดกำหนดตำแหน่ง (10) บนใบมีดโดยใช้หมุดกำหนดตำแหน่ง (11)
- เปลี่ยนฝาครอบใบมีด (8) ตามที่แสดงในรูป B
- ปุ่มปล่อยใบมีดจะเข้าไปในตำแหน่งปิด

ตำแหน่งมือที่เหมาะสม (รูป D)

คำเตือน! เพื่อลดความเสี่ยงจากการบาดเจ็บส่วนบุคคลร้ายแรง ให้คุณใช้ตำแหน่งมือที่เหมาะสมตามที่แสดงในรูปอยู่เสมอ

คำเตือน! เพื่อลดความเสี่ยงจากการบาดเจ็บส่วนบุคคลร้ายแรง ให้คุณเตรียมความพร้อมสำหรับปฏิกิริยาที่อาจเกิดขึ้นแบบฉับพลันอยู่เสมอ ตำแหน่งมือที่เหมาะสมคือการใช้ขางหนึ่งจับบนตามจับหลัก (7)

คำเตือน! ใบมีดจะยังคงเคลื่อนไหวอยู่หลังจากปิดเครื่อง

คำเตือน! วางมืออีกข้างหนึ่งของคุณให้อยู่ห่างจากใบมีดอยู่เสมอ

สวิทช์สั่งงาน

คำเตือน! ห้ามพยายามลือคสวิทช์ในตำแหน่ง เปิด โดยเด็ดขาด

คำเตือน! ห้ามใช้ใบมีดตัดกิ่งไม้ที่มีขนาดมากกว่า 8 มม. ใช้เครื่องตัดแต่งกิ่งไม้สำหรับการตัดพุ่มไม้ทั่วไปรอบบ้านเรือนและอาคารเท่านั้น

ในการ “เปิด” เครื่องมือ ให้ยกสวิทช์ลือค (2) ขึ้นและมีสวิทช์สั่งงาน (1) เมื่ออุปกรณ์ทำงานแล้วสามารถปล่อยสวิทช์ลือคได้ใน การ “ปิด” เครื่อง ให้ปล่อยทรigger

หมายเหตุสำหรับการใช้งานที่ดีที่สุด (รูป E, F, G, H, I)

การตัดเล็มหญ้า (รูป E, F)

- คำเตือน!** ใบมีดจะยังคงเคลื่อนไหวอยู่หลังจากปิดเครื่อง
- เพื่อให้ได้ผลลัพธ์ในการตัดที่ดีที่สุด ให้ตัดเฉพาะหญ้าแห้งเท่านั้น
 - ถือเครื่องมือตามที่แสดงในรูป G วางมืออีกข้างหนึ่งของคุณให้อยู่ห่างจากใบมีดอยู่เสมอ รักษาตำแหน่งในการทำงานที่เสถียรเพื่อที่คุณจะได้ไม่ลื่นล้ม ห้ามเอื้อมตัวมากเกินไป
 - เมื่อต้องตัดหญ้าที่สูง ให้คุณทำงานจากด้านบนลงด้านล่างทำการตัดครั้งละน้อยๆ
 - วางเครื่องมือให้อยู่ห่างจากวัตถุที่มีความแข็งและพืชที่เปราะบาง
 - หากเครื่องมือเริ่มทำงานช้า ให้ลดภาระให้ลดลง
 - เพื่อให้ได้การตัดที่ใกล้มากกว่า ให้คุณเลี้ยงเครื่องมือลงเล็กน้อย

การตัดแต่งกิ่งไม้ (รูป G, H, I)

- คำเตือน!** ใบมีดจะยังคงเคลื่อนไหวอยู่หลังจากปิดเครื่อง
- เลี้ยงเครื่องมือลงเล็กน้อย (ไม่เกิน 15° ของแนวของการตัด) เพื่อให้ส่วนปลายของใบมีดชี้ขึ้นไปหากิ่งไม้เล็กน้อย การทำเช่นนี้จะทำให้ใบมีดสามารถตัดกิ่งไม้ได้อย่างมีประสิทธิภาพมากขึ้น
 - เริ่มต้นจากการตัดแต่งกิ่งไม้ที่ด้านบนก่อน

- ถือเครื่องมือให้อยู่ในมุมที่ต้องการ และขยับเครื่องมืออย่างสม่ำเสมอไปตามแนวของการตัด ใบมีดแบบสองด้านจะทำให้คุณสามารถทำการตัดได้ในทั้งสองทิศทาง
- เพื่อให้ได้การตัดที่มีความตรงมาก ให้วางเชือกไปตามความยาวของกิ่งไม้ที่มีความสูงตามที่ต้องการ ใช้เชือกเป็นแนวนำทาง และตัดเหนือเชือกดังกล่าว
- เพื่อให้ได้ด้านข้างที่แบนราบ ให้ตัดกิ่งไม้ขึ้นด้านบนตามความอ่อนแก่ของกิ่งไม้ กิ่งไม้อ่อนจะขยับออกข้างเมื่อใบมีดตัดลงไป ทำให้เกิดรอยคดง ในกิ่งไม้
- ดูแลเพื่อหลีกเลี่ยงสิ่งแปลกปลอม โดยเฉพาะอย่างยิ่งหลีกเลี่ยงวัตถุที่มีความแข็ง เช่น ลวดโลหะและราวเนื่องจากวัตถุดังกล่าวอาจทำให้ใบมีดชำรุดเสียหายได้
- ทาน้ำมันใบมีดอย่างสม่ำเสมอ

การบำรุงรักษา

เครื่องมือของ BLACK+DECKER ออกแบบมาให้สามารถใช้งานได้ยาวนานต่อเนื่องโดยที่มีการบำรุงรักษาน้อยที่สุด การทำงานที่สร้างความพึงพอใจอย่างต่อเนื่องขึ้นอยู่กับ การดูแลรักษาที่เหมาะสมและการทำความสะอาดอย่างสม่ำเสมอ ที่ขารขของคอกดไม่จำเป็นต้องได้รับการบำรุงรักษาอื่นนอกจาก การทำความสะอาดอย่างสม่ำเสมอ

คำเตือน! ก่อนที่จะทำการบำรุงรักษาเครื่องมือ คุณต้องปิดเครื่องมือก่อน ถอดปลั๊กที่ขารขออกก่อนที่คุณจะทำความสะอาดที่ขารข

- ทำความสะอาดของระบายนอากาศในเครื่องมือของคุณโดยใช้แปรงนุ่มๆ หรือผ้าแห้ง
- ทำความสะอาดตัวมอเตอร์เป็นประจำโดยใช้ผ้าชุบน้ำบิดหมาด ห้ามใช้น้ำยาทำความสะอาดที่มีฤทธิ์กัดกร่อนหรือมีส่วนผสมของตัวทำลาย
- หลังจากใช้งาน ให้ทำความสะอาดใบมีดด้วยความระมัดระวัง หลังจากทำความสะอาด ให้นำน้ำมันเครื่องที่ใบมีดเพื่อป้องกันไม่ให้ใบมีดขึ้นสนิม

การจัดเก็บ

เมื่อคุณจะไม่ใช้เครื่องมือเป็นเวลานานหลายเดือน ทางที่ดีที่สุดก็คือ ควรทิ้งแบตเตอรี่ไว้บนที่ขารขหรือปฏิบัติตามขั้นตอนดังต่อไปนี้:

- ขารขแบตเตอรี่ให้เต็ม
- จัดเก็บเครื่องมือไว้ในสถานที่ซึ่งแห้งและปลอดภัย อุณหภูมิสำหรับการจัดเก็บที่เหมาะสมจะต้องอยู่ที่ระหว่าง +5 °C ถึง +40 °C
- ก่อนที่จะใช้เครื่องมือหลังจากที่จัดเก็บมาเป็นเวลานาน ให้คุณขารขแบตเตอรี่ให้เต็มอีกครั้ง

การปกป้องสิ่งแวดล้อม



การเก็บรวบรวมแบบคัดแยก ห้ามทิ้งผลิตภัณฑ์และแบตเตอรี่ที่มีสัญลักษณ์นี้รวมกับขยะในครัวเรือนปกติ

ผลิตภัณฑ์และแบตเตอรี่วัสดุที่สามารถนำมาใช้ใหม่ได้ หรือนำมาใช้ไซเคิลได้เพื่อเป็นการลดความต้องการด้านวัตถุดิบ โปรดรีไซเคิลผลิตภัณฑ์ไฟฟ้าและแบตเตอรี่ตามข้อบังคับในท้องถิ่น

ข้อมูลด้านเทคนิค

		BCSS20
แรงดันไฟฟ้า	V	18 (20 Max)
ความยาวของใบมีด (เครื่องตัดเล็ม)	cm	10
ระยะห่างของใบมีด (เครื่องตัดเล็ม)	mm	23
ความยาวของใบมีด (เครื่องตัดแต่ง)	cm	20
ระยะห่างของใบมีด (เครื่องตัดแต่ง)	mm	8
น้ำหนัก	kg	0.84

แบตเตอรี่				อุปกรณ์ขารข (นาฬิกา)					
Cat#	Vdc	Ah	น้ำหนัก (kg)	Cat#	90590287*	N517388*	BDC1A	BDC2A	BDC2A36
			Amps		400mA	1A	1A	2A	1.35A
BL1518	18	1.5	0.38	BL1518	225	90	90	45	X
BL1518ST	18	1.5	0.38	BL1518ST	225	90	90	45	X
BL2018	18	2.0	0.39	BL2018	300	120	120	60	X
BL2018ST	18	2.0	0.39	BL2018ST	300	120	120	60	X
BL2518	18	2.5	0.43	BL2518	380	150	150	75	X
BL4018	18	4.0	0.64	BL4018	600	240	240	120	X
BL5018	18	5.0	0.7	BL5018	750	300	300	135	X
BL20362	36	2.0	0.64	BL20362	X	X	X	X	90
BL2536	36	2.5	0.68	BL2536	X	X	X	X	110
BL1554	18/54	1.5	1.08	BL1554	225	90	90	45	X
BL2554	18/54	2.5	1.2	BL2554	380	150	150	75	X

ข้อมูลด้านการบริการ

BLACK+DECKER มีเครือข่ายศูนย์บริการทั้งที่บริษัทเป็นเจ้าของและที่ได้รับอนุญาตมากมายทั่วเอเชีย ศูนย์บริการของ BLACK+DECKER ทุกแห่งมีบุคลากรที่ชำนาญการไว้คอยให้บริการลูกค้าเกี่ยวกับผลิตภัณฑ์อย่างมีประสิทธิภาพและเชื่อถือได้ โปรดติดต่อศูนย์ของ BLACK+DECKER ที่ใกล้คุณที่สุดหากคุณต้องการคำแนะนำด้านเทคนิค การซ่อมแซม หรือการเปลี่ยนชิ้นส่วนที่แจกโรงงาน

หมายเหตุ

- BLACK+DECKER มีนโยบายในการปรับปรุงผลิตภัณฑ์อย่างต่อเนื่อง เราจึงขอสงวนสิทธิ์ในการเปลี่ยนแปลงข้อมูลเฉพาะของผลิตภัณฑ์โดยไม่แจ้งให้ทราบล่วงหน้า
- อุปกรณ์และอุปกรณ์เสริมมาตรฐานอาจแตกต่างกันไปในแต่ละประเทศ
- ข้อมูลเฉพาะของผลิตภัณฑ์อาจแตกต่างกันไปในแต่ละประเทศ

Mục đích sử dụng

Máy cắt tỉa cây BLACK + DECKER BCSS20 của bạn được thiết kế để cắt tỉa cỏ, hàng rào, cây bụi và dây leo. Công cụ này chỉ dành cho người tiêu dùng.

Hướng dẫn an toàn

Cảnh báo chung về an toàn cho máy điện cầm tay



Cảnh báo! Hãy đọc tất cả các cảnh báo và hướng dẫn về an toàn. Việc không tuân thủ các cảnh báo và hướng dẫn được liệt kê dưới đây có thể dẫn đến giật điện, cháy nổ và/hoặc thương tích nghiêm trọng.

Lưu giữ mọi cảnh báo và hướng dẫn để tham khảo sau này

Thuật ngữ “máy điện cầm tay” trong phần cảnh báo chỉ thiết bị chạy bằng điện nguồn (có dây điện) hoặc thiết bị chạy bằng pin (không có dây điện).

1. An toàn tại nơi làm việc

- Khu vực làm việc phải sạch sẽ và đủ ánh sáng.**
Những khu vực bừa bộn hoặc thiếu ánh sáng dễ gây tai nạn.
- Không vận hành máy điện cầm tay trong các môi trường dễ cháy nổ, như các môi trường có chất lỏng, khí hoặc bụi dễ cháy.** Máy điện cầm tay tạo ra các tia lửa điện có thể gây cháy bụi hoặc bốc khói.
- Không cho trẻ em và những người quan sát lại gần khi đang vận hành máy điện cầm tay.** Những lúc xao lãng có thể khiến bạn mất kiểm soát.

2. An toàn điện

- Phích cắm của máy điện cầm tay phải vừa với ổ cắm. Không được sửa đổi phích cắm dưới bất kỳ hình thức nào. Không sử dụng các loại phích cắm nổi cho máy điện cầm tay có nổi đất.** Phích cắm nguyên trạng và ổ cắm phù hợp sẽ giúp giảm nguy cơ bị điện giật.
- Tránh tiếp xúc với các bề mặt được nối đất như đường ống, lò sưởi, bếp nướng và tủ lạnh.** Ngay cơ bị điện giật sẽ cao hơn nếu cơ thể bạn nối đất.
- Không để các máy điện cầm tay ngoài trời mưa hoặc ở nơi ẩm ướt.** Nước vào trong máy điện cầm tay sẽ làm tăng nguy cơ bị điện giật.
- Không dùng dây điện cho các mục đích khác. Tuyệt đối không sử dụng dây điện để mang, kéo hoặc rút phích cắm máy điện cầm tay. Để dây điện cách xa nguồn nhiệt, dầu mỡ, các cạnh sắc hoặc các bộ phận chuyển động.** Dây điện bị hỏng hoặc bị vướng sẽ làm tăng nguy cơ bị điện giật.
- Khi vận hành máy điện cầm tay ngoài trời, hãy sử dụng dây nối dài phù hợp để sử dụng ngoài trời.** Sử dụng dây điện phù hợp để sử dụng ngoài trời sẽ giúp giảm nguy cơ bị điện giật.

- Nếu bắt buộc phải vận hành máy điện cầm tay ở nơi ẩm ướt, hãy sử dụng nguồn điện được bảo vệ bởi thiết bị ngắt mạch tự động (RCD).** Sử dụng RCD giúp giảm nguy cơ bị điện giật.

3. An toàn cá nhân

- Hãy tập trung, chú ý vào những gì bạn đang làm và tinh táo khi vận hành máy điện cầm tay. Không sử dụng máy điện cầm tay khi bạn đang mệt hoặc chịu ảnh hưởng của rượu bia, ma túy hoặc chất kích thích.** Chỉ một khoảnh khắc mất tập trung trong khi vận hành máy điện cầm tay cũng có thể dẫn đến chấn thương cá nhân nghiêm trọng.
- Sử dụng thiết bị bảo hộ cá nhân. Luôn đeo kính bảo hộ.** Thiết bị bảo hộ như mặt nạ chống bụi, giày chống trượt, mũ cứng hoặc thiết bị bảo vệ tai, được sử dụng ở những điều kiện phù hợp, sẽ giúp giảm các chấn thương cá nhân.
- Tránh vô tình bật máy. Đảm bảo rằng công tắc ở vị trí tắt trước khi nối với nguồn điện và/hoặc pin, khi cầm hoặc mang máy.** Việc cầm máy điện cầm tay khi ngón tay đặt vào công tắc hoặc sạc pin cho máy điện cầm tay khi công tắc đang bật có thể gây tai nạn.
- Hãy tháo hết khóa điều chỉnh hoặc cờ lê trước khi bật máy điện cầm tay.** Cờ lê hoặc khóa vẫn để ở bộ phận quay của máy điện cầm tay có thể dẫn đến chấn thương cá nhân.
- Không được vớ tay. Hãy đứng ở tư thế thích hợp và luôn giữ thăng bằng.** Điều đó giúp kiểm soát máy điện cầm tay tốt hơn trong các tình huống bất ngờ.
- Mặc quần áo phù hợp. Không mặc quần áo rộng hoặc đeo đồ trang sức. Giữ cho tóc và quần áo tránh xa các bộ phận di động.** Quần áo rộng, đồ trang sức hoặc tóc dài có thể bị mắc vào các bộ phận di động.
- Nếu các thiết bị được cung cấp để nối các phương tiện hút và gom bụi, hãy đảm bảo những thiết bị này được nối và sử dụng đúng cách.** Sử dụng thiết bị gom bụi có thể giảm các nguy cơ liên quan đến bụi.

4. Sử dụng và bảo quản máy điện cầm tay

- Sử dụng máy điện cầm tay phù hợp. Sử dụng máy điện cầm tay phù hợp với mục đích của bạn.** Máy phù hợp sẽ giúp bạn làm việc hiệu quả và an toàn hơn theo đúng tốc độ được thiết kế.
- Không sử dụng máy điện cầm tay nếu công tắc không bật và tắt được.** Những máy điện cầm tay không điều khiển được bằng công tắc đều rất nguy hiểm và cần phải được sửa chữa.
- Rút phích cắm khỏi nguồn điện và/hoặc tháo pin ra nếu có thể tháo rời khỏi máy điện cầm tay, trước khi thực hiện các điều chỉnh, thay đổi phụ kiện**

hoặc cất giữ máy điện cầm tay. Các biện pháp an toàn phòng ngừa đó giúp giảm nguy cơ khởi động máy điện cầm tay một cách tình cờ.

- d. **Bảo quản các máy điện cầm tay không sử dụng xa tầm tay trẻ em và không cho phép những người không quen với máy điện cầm tay hoặc những hướng dẫn này vận hành máy điện cầm tay.** Máy điện cầm tay sẽ rất nguy hiểm khi được sử dụng bởi những người chưa được huấn luyện.
- e. **Bảo trì các phụ kiện và máy điện cầm tay. Kiểm tra các bộ phận chuyển động xem có bị lắp lệch hoặc kẹt không, các bộ phận có bị vỡ không và bất kỳ tình trạng nào khác có thể ảnh hưởng đến việc vận hành máy điện cầm tay. Nếu máy điện cầm tay bị hỏng, hãy sửa chữa trước khi sử dụng.** Rất nhiều tai nạn xảy ra do công tác bảo trì các máy điện cầm tay kém.
- f. **Đảm bảo các thiết bị cất luôn sắc và sạch sẽ.** Các dụng cụ cất được bảo trì đúng cách với các cạnh cắt sắc sẽ ít bị kẹt hơn và dễ điều khiển hơn.
- g. **Sử dụng máy điện cầm tay, các phụ kiện và mũi khoan, v.v., theo hướng dẫn này, chú ý đến các điều kiện làm việc và công việc cần thực hiện.** Sử dụng máy điện cầm tay sai mục đích có thể gây nguy hiểm.
- h. **Giữ các tay cầm và bề mặt cầm nắm luôn khô ráo, sạch sẽ và không dính dầu mỡ.** Các tay cầm và bề mặt cầm nắm trơn trượt không cho phép xử lý và kiểm soát máy an toàn trong những tình huống bất ngờ.

5. Sử dụng và bảo quản máy chạy bằng pin

- a. **Chỉ sạc lại pin bằng bộ sạc do nhà sản xuất quy định. Bộ sạc chỉ thích hợp cho một loại pin.** Nếu sử dụng với loại pin khác, có thể tạo nguy cơ hỏa hoạn.
- b. **Chỉ sử dụng máy điện cầm tay với các loại pin được chỉ định cụ thể.** Sử dụng loại pin khác có thể tạo nguy cơ bị chấn thương và hỏa hoạn.
- c. **Khi không sử dụng pin, để pin tránh xa các vật dụng kim loại như kẹp giấy, tiền đồng, chia khóa, đinh, vít, hay các vật dụng kim loại nhỏ khác có thể tạo kết nối từ cực này sang cực khác.** Khi các cực của pin tiếp xúc với nhau có thể gây bùng hoặc hỏa hoạn.
- d. **Nếu lạm dụng pin, dung dịch có thể chảy ra từ pin; tránh tiếp xúc. Nếu vô tình tiếp xúc, hãy rửa bằng nước. Nếu chất lỏng dính vào mắt, hãy điều trị y tế ngay.** Chất lỏng chảy ra từ pin có thể gây kích ứng hoặc bỏng da.
- e. **Không sử dụng pin hoặc máy khi bị hỏng hoặc đã bị chỉnh sửa.** Pin hỏng hoặc đã bị chỉnh sửa có thể gây ra những phản ứng khó lường, dẫn đến cháy nổ hoặc có nguy cơ gây chấn thương.

- f. **Không để pin hoặc máy gần khu vực có lửa hoặc nhiệt độ quá cao.** Tiếp xúc với lửa hoặc nhiệt độ trên 130 °C có thể gây nổ.
- g. **Tuân theo mọi hướng dẫn về sạc pin và không được sạc máy quá phạm vi nhiệt độ được ghi trong hướng dẫn.** Sạc pin không đúng cách hoặc ở các mức nhiệt độ nằm ngoài phạm vi chỉ định có thể làm hỏng pin và tăng nguy cơ hỏa hoạn.

6. Bảo dưỡng

- a. **Hãy để nhân viên bảo dưỡng có chuyên môn tiến hành bảo dưỡng máy điện cầm tay cho bạn và chỉ sử dụng các bộ phận thay thế chính hãng.** Điều này giúp đảm bảo độ an toàn của máy điện cầm tay đó.
- b. **Tuyệt đối không bảo dưỡng pin đã hỏng.** Việc bảo dưỡng pin phải được thực hiện bởi nhà sản xuất hoặc nhà cung cấp dịch vụ bảo dưỡng được ủy quyền

Cảnh báo an toàn công cụ điện bổ sung



Cảnh Báo! Cảnh báo an toàn bổ sung cho máy cắt tia hàng rào.

- ♦ **Đảm bảo giữ tất cả các bộ phận của cơ thể tránh xa lưỡi dao cắt. Không dọn vật liệu đã cắt hoặc giữ vật liệu cản cắt khi các lưỡi dao đang chuyển động. Đảm bảo công tắc đang ở chế độ tắt khi dọn vật liệu bị mắc kẹt.** Chỉ một khoảnh khắc không chú ý trong khi vận hành máy cắt tia hàng rào có thể dẫn đến thương tích nghiêm trọng.
- ♦ **Cầm máy cắt tia hàng rào bằng tay cầm với lưỡi dao đã dừng lại. Khi vận chuyển hoặc cất giữ máy cắt tia hàng rào luôn vừa vận với nắp máy cắt tia.** Thao tác máy cắt tia hàng rào đúng cách sẽ giúp giảm nguy cơ gây thương tích cá nhân có thể xảy ra do các lưỡi máy cắt
- ♦ **Giữ dụng cụ điện bằng các bề mặt kẹp cách điện, vì máy cắt có thể tiếp xúc với dây dẫn.** Lưỡi dao tiếp xúc với dây "trần" có thể làm cho các bộ phận kim loại tiếp xúc của công cụ điện "trần" và có thể khiến người vận hành bị điện giật.
- ♦ **Giữ dây cáp tránh xa khu vực cắt.** Trong quá trình thao tác, dây cáp có thể bị che khuất trong bụi cây và có thể vô tình cắt tay cầm.
- ♦ Công cụ này không dành cho những người (kể cả trẻ em) bị suy giảm khả năng thể chất, cảm giác hoặc tinh thần, hoặc thiếu kinh nghiệm và kiến thức, trừ khi họ được người chịu trách nhiệm bảo vệ an toàn. Trẻ em cần được giám sát để đảm bảo rằng chúng không chơi cùng với thiết bị.
- ♦ Mục đích sử dụng được mô tả trong hướng dẫn sử dụng này. Việc sử dụng các phụ kiện hoặc bộ phận

đi kèm hoặc thực hiện các hoạt động với công cụ này khác với những gì được khuyến nghị trong hướng dẫn sử dụng này có thể gây ra nguy cơ gây thương tích cá nhân và/hoặc hư hỏng tài sản.

- Không cầm công cụ bằng tay trên công tắc tay cầm phía trước hoặc công tắc khởi động trừ khi đã tháo pin.
- Nếu bạn chưa sử dụng máy cắt tỉa trước đây, tốt hơn hết bạn nên tìm kiếm hướng dẫn thực tế từ người dùng có kinh nghiệm ngoài việc xem xét hướng dẫn này.
- Không bao giờ chạm vào các lưỡi dao khi công cụ đang chạy.
- Không bao giờ cố gắng đẩy các lưỡi dao bị chặn vướng.
- Không đặt công cụ này xuống cho tới khi các lưỡi dao hoàn toàn dừng lại.
- Thường xuyên kiểm tra các lưỡi dao xem có bị hư hỏng và mòn không. Không sử dụng công cụ này khi các lưỡi dao bị hỏng.
- Cần thận để tránh các vật cứng (ví dụ như dây kim loại, lan can) khi cắt tỉa. Nếu bạn vô tình va phải các vật thể như vậy, hãy tắt công cụ ngay lập tức và kiểm tra xem có hư hỏng gì không. Nếu công cụ khởi động rung bất thường, hãy tắt ngay lập tức và kiểm tra xem có hư hỏng gì không.
- Nếu công cụ ngừng hoạt động, hãy tắt nó ngay lập tức. Tháo pin trước khi cố gắng loại bỏ bất kỳ vật cản nào.
- Sau khi sử dụng, hãy đặt vỏ lưỡi dao được cung cấp kèm theo bên ngoài các lưỡi dao. Cắt giữ công cụ, đảm bảo rằng lưỡi dao không bị lộ ra ngoài.
- Luôn đảm bảo rằng phải mang tất cả các thiết bị bảo vệ khi sử dụng công cụ. Không bao giờ cố gắng sử dụng một công cụ không hoàn chỉnh hoặc một công cụ đã bị sửa đổi trái phép.
- Không bao giờ để trẻ em sử dụng công cụ.
- Lưu ý các mảnh vụn rơi xuống khi cắt các đường trượt cao hơn của hàng rào.
- Luôn cầm dụng cụ bằng cả hai tay và bằng tay cầm được cung cấp.

Các nguy cơ khác

Các nguy cơ khác có thể phát sinh khi sử dụng công cụ này có thể không được đưa vào trong cảnh báo an toàn kèm theo. Các nguy cơ này có thể phát sinh do sử dụng sai mục đích, sử dụng trong khoảng thời gian dài, v.v. Kể cả việc áp dụng các quy tắc an toàn liên quan và sử dụng các thiết bị an toàn cũng không thể tránh được một số nguy cơ khác. Những nguy cơ này bao gồm:

- **Chấn thương do đụng vào các bộ phận quay/ chuyển động.**
- **Chấn thương gây ra khi thay đổi các bộ phận, lưỡi dao hoặc phụ kiện.**
- **Chấn thương do sử dụng kéo dài một công cụ. Khi sử dụng bất kỳ công cụ nào trong thời gian dài, phải đảm bảo thời gian nghỉ thường xuyên.**

- **Suy giảm thính lực.**
- **Các mối nguy hiểm tới sức khỏe do hít phải bụi khi sử dụng công cụ của bạn (ví dụ: - làm việc với gỗ, đặc biệt là gỗ sồi, gỗ dẻ và gỗ công nghiệp.)**

Nhãn trên công cụ

Các biểu tượng sau cùng với mã ngày được hiển thị trên công cụ:



Cảnh Báo! Để giảm nguy cơ chấn thương, người dùng phải đọc hướng dẫn sử dụng.



Đeo kính an toàn hoặc kính bảo hộ khi vận hành công cụ này.



Đeo thiết bị bảo vệ tai phù hợp khi vận hành công cụ này.



Luôn tháo pin ra khỏi thiết bị trước khi thực hiện việc vệ sinh hoặc bảo trì.



Không để thiết bị dưới mưa hoặc môi trường độ ẩm cao.



Giữ tay tránh xa lưỡi dao.



Cảnh giác với rơi vật thể. Tránh xa những người xung quanh.



Cẩn thận với những lưỡi dao sắc bén. Lưỡi dao tiếp tục di chuyển sau khi động cơ tắt.

Hướng dẫn an toàn bổ sung cho pin

Pin

- Không bao giờ thử tháo ra vì bất kỳ lý do.
- Không để pin tiếp xúc với nước.
- Không để pin tiếp xúc với nguồn nhiệt.
- Không lưu trữ ở những nơi có nhiệt độ có thể vượt quá 40 °C.
- Chỉ sạc khi nhiệt độ xung quanh trong khoảng từ 10°C đến 40°C.
- Chỉ sạc bằng bộ sạc đi kèm với dụng cụ.
- Khi rút bỏ pin, hãy làm theo các hướng dẫn được đưa ra trong phần "Bảo vệ môi trường".
- Không làm hỏng hoặc biến dạng pin do đâm thủng hoặc va đập, vì điều này có thể gây ra thương tích và hỏa hoạn.
- Không sạc pin bị hỏng.

Bộ sạc

Cảnh Báo! Bộ sạc của bạn được thiết kế cho việc dùng một điện áp nhất định. Hãy luôn kiểm tra xem điện áp nguồn có tương ứng với điện áp trên bảng thông số không.

Cảnh Báo! Đừng cố gắng thay thế bộ sạc bằng phích cắm nguồn thông thường.

- Chỉ sử dụng bộ sạc BLACK+DECKER để sạc pin đi kèm với thiết bị/dụng cụ. Các pin khác có thể cháy nổ, gây thương tích cá nhân và hư hỏng.
- Tuyệt đối không cố sạc pin dùng một lần.
- Nếu dây cáp nguồn bị hỏng, phải được thay thế bởi nhà sản xuất, đại lý dịch vụ hoặc Trung tâm Dịch vụ BLACK + DECKER được ủy quyền để tránh nguy hiểm.
- Không để bộ sạc tiếp xúc với nước.
- Không mở bộ sạc ra.
- Không chọc que vào bộ sạc.

Các ký hiệu sau được tìm thấy trên bộ sạc của bạn:



Để sạc chỉ được thiết kế để sử dụng trong nhà.

An toàn điện



Bộ sạc của bạn được bọc cách điện kép; do đó không cần phải nối đất. Luôn kiểm tra xem điện áp nguồn có tương ứng với điện áp trên nhãn thông số định mức của bộ sạc. Tuyệt đối không tìm cách thay bộ sạc bằng phích cắm điện thông thường

- Nếu dây điện bị hư hỏng ,phải thay thế ngay phụ tùng chính hãng tại Trung Tâm Bảo Hành Ủy Quyền BLACK+DECKER để tránh tai nạn nguy hiểm.

Tính năng

- Công tắc khởi động
- Công tắc khóa tắt
- Nút tháo pin
- Bộ pin
- Lưỡi xén cỏ
- Lưỡi tỉa cây bụi
- Tay cầm chính

Sạc pin

Bộ sạc BLACK + DECKER được thiết kế để sạc pin BLACK + DECKER.

- Cắm bộ sạc vào ổ cắm thích hợp.
- Cắm và lắp đầy đủ bộ pin vào vị trí. Đèn sạc màu xanh lá cây sẽ liên tục nhấp nháy trong khi sạc.
- Quá trình sạc hoàn tất khi đèn sạc màu xanh lá vẫn BẬT

liên tục. Bộ pin có thể được để trong bộ sạc hoặc tháo ra.

- Sạc lại pin đã xa càng sớm càng tốt sau khi sử dụng, nếu không tuổi thọ của pin có thể giảm đi đáng kể. Để kéo dài tuổi thọ pin lâu nhất, không xả hết hoàn toàn pin. Nên sạc lại pin sau mỗi lần sử dụng.

Chẩn đoán bộ sạc

Bộ sạc này được thiết kế để phát hiện ra các vấn đề nhất định có thể phát sinh với bộ pin hoặc nguồn điện. Các vấn đề được chỉ báo bằng một đèn LED nhấp nháy theo các kiểu khác nhau.

Pin kém

Bộ sạc có thể phát hiện ra pin yếu hoặc bị hỏng. Đèn LED nhấp nháy theo kiểu được chỉ ra trên nhãn. Nếu bạn thấy kiểu nhấp nháy pin kém này, không tiếp tục sạc pin. Hãy gửi nó lại cho trung tâm dịch vụ hoặc nơi thu gom để chuyển đi.

Độ trễ bộ nguồn nóng/lạnh

Khi bộ sạc phát hiện thấy một pin quá nóng hoặc quá lạnh, nó sẽ tự động khởi động Độ trễ nguồn Nóng/Lạnh, tạm ngừng sạc cho đến khi pin bình thường. Sau khi điều này xảy ra, bộ sạc sẽ tự động chuyển sang chế độ Sạc bộ nguồn. Tính năng này đảm bảo tuổi thọ pin tối đa. Đèn nhấp nháy theo kiểu được chỉ ra trên nhãn.

Đặt lại pin vào trong bộ sạc

Bộ sạc và bộ pin có thể được kết nối với đèn LED màu xanh lá cây phát sáng vô thời hạn. Bộ sạc sẽ giúp giữ cho bộ pin luôn mới và được sạc đầy.

Bộ sạc này có chế độ tự động điều chỉnh, cân bằng các cực pin riêng lẻ trong bộ pin để cho phép nó hoạt động ở công suất cao nhất.

Bộ pin phải được điều chỉnh hàng tuần hoặc bất cứ khi nào pin không có hiệu suất tốt như cũ. Để sử dụng chế độ tự động điều chỉnh này, hãy đặt bộ pin vào bộ sạc và để trong ít nhất 8 giờ.

Các lưu ý thay đổi quan trọng

- Bộ pin có thể đạt được tuổi thọ lâu nhất và hiệu suất tốt nhất nếu được sạc khi nhiệt độ môi trường từ 18° - 24 °C. KHÔNG sạc pin ở nhiệt độ môi trường dưới +4,5 °C) hoặc trên +40 °C. Điều này rất quan trọng và sẽ tránh làm hỏng pin nghiêm trọng.
- Bộ sạc và bộ pin có thể ấm khi chạm vào trong khi sạc. Đây là một điều kiện bình thường và không phải là một vấn đề. Để tạo điều kiện làm mát bộ pin sau khi sử dụng, tránh đặt bộ sạc hoặc bộ pin trong môi trường ẩm như trong kho kim loại hoặc xe kéo không được cách nhiệt.
- Nếu bộ pin không được sạc đúng cách:
 - Hãy kiểm tra hoạt động của ổ cắm bằng cách cắm thử đèn hoặc thiết bị khác;

- Hãy kiểm tra xem ổ cắm có được kết nối với công tắc đèn sẽ tắt nguồn khi bạn tắt đèn hay không;
- Di chuyển bộ sạc và bộ pin đến vị trí có nhiệt độ môi trường xung quanh khoảng 18 ° - 24 ° C;
- Nếu sự cố sạc vẫn tiếp diễn, hãy mang thiết bị, bộ pin và bộ sạc đến trung tâm dịch vụ tại địa phương bạn.
- Nên sạc lại bộ pin khi nó không còn tạo đủ năng lượng cho các công việc đã được thực hiện một cách dễ dàng trước đây. **KHÔNG TIẾP TỤC** sử dụng trong tình trạng như vậy. Làm theo quy trình sạc. Bạn cũng có thể sạc bộ pin đã sử dụng một phần bất cứ khi nào bạn muốn mà không gây ảnh hưởng không tốt đến bộ pin.
- Các hốc sạc phải tránh xa các vật liệu lạ có tính chất dẫn điện, chẳng hạn như, nhưng không giới hạn ở, bụi mài, phoi kim loại, len thép, lá nhôm hoặc bất kỳ sự tích tụ nào của các hạt kim. Rút phích cắm bộ sạc trước khi vệ sinh.
- Không đóng băng hoặc nhúng bộ sạc vào nước hoặc bất kỳ chất lỏng nào khác.

Lắp đặt và tháo bộ pin (Hình C)

Lưu ý: Để có kết quả tốt nhất, hãy đảm bảo rằng bộ pin của bạn đã được sạc đầy.

- Để lắp bộ pin (4) vào tay cầm dụng cụ, hãy căn chỉnh bộ pin với các thanh ray bên trong tay cầm của dụng cụ và trượt nó vào tay cầm cho đến khi pin được đặt chắc chắn trong thiết bị và đảm bảo rằng nó không bị bung ra.
- Để tháo bộ pin ra khỏi dụng cụ, hãy nhấn nút nhả (3) và kéo mạnh bộ pin ra khỏi tay cầm dụng cụ. Lắp nó vào bộ sạc như được mô tả trong phần bộ sạc của hướng dẫn sử dụng này.

Lắp ráp

Cảnh Báo! Để giảm nguy cơ chấn thương cá nhân nghiêm trọng, Để giảm nguy cơ thương tích cá nhân nghiêm trọng, hãy tắt thiết bị và rút bộ nguồn pin trước khi thực hiện bất kỳ việc điều chỉnh hoặc tháo dỡ/lắp các bộ phận đi kèm hoặc phụ kiện nào. Việc khởi động không cẩn thận có thể gây ra chấn thương.

Lắp và tháo lưỡi dao (Hình A, B)

Lưỡi xén cỏ (5) được thiết kế để cắt tia cỏ và cỏ dại. Lưỡi cắt tia cây bụi (6) được thiết kế để cắt tia hàng rào và cây bụi.

- Để lắp với lưỡi dao, hãy tháo nắp lưỡi dao (8) bằng cách đẩy và giữ nút tháo lưỡi dao (9) theo hướng mũi tên (Hình A)
- Tháo nắp lưỡi dao (8) (Hình B).
- Căn chỉnh các lỗ chốt định vị (10) trên lưỡi dao với các chốt định vị (11).
- Thay nắp lưỡi dao (8) như trong Hình B.

- Nút tháo lưỡi dao khớp vào vị trí đóng.

Vị trí đặt tay thích hợp (Hình D)

Cảnh Báo! Để giảm nguy cơ chấn thương cá nhân nghiêm trọng, **LUÔN LUÔN** sử dụng vị trí đặt tay thích hợp như hình minh họa.

Cảnh Báo! Để giảm nguy cơ thương tích cá nhân nghiêm trọng, **LUÔN LUÔN** giữ an toàn để đề phòng phản ứng đột ngột. Vị trí đặt tay thích hợp yêu cầu một tay đặt trên tay cầm chính (7).

Cảnh Báo! Bọc lưỡi dao sau khi tắt.

Cảnh Báo! GIỮ tay tránh xa lưỡi dao.

Công tắc khởi động

Cảnh Báo! Không bao giờ cố gắng khóa công tắc ở vị trí TẮT.

Cảnh Báo! Không sử dụng lưỡi dao để cắt thân cây lớn hơn 8 mm. Chỉ sử dụng lưỡi tia để cắt những bụi cây thông thường xung quanh nhà và toà nhà.

Để "BẬT" công cụ, hãy chuyển công tắc tắt khóa (2) và bóp công tắc khởi động (1).

Khi thiết bị đang chạy, bạn có thể nhả công tắc tắt khóa.

Để "TẮT" công cụ, hãy nhả khoá khởi động.

Các gợi ý để sử dụng tối ưu (Hình E, F, G, H, I)

Cắt tia cỏ (Hình E, F)

Cảnh Báo! Bọc lưỡi dao sau khi tắt.

- Để đạt được kết quả cắt tối ưu, chỉ cắt cỏ khô.
- Giữ công cụ như thể hiện trong Hình G. Để tay kia của bạn cách xa lưỡi dao. Đảm bảo vị trí làm việc ổn định để không bị trượt ngã. Đừng với quá cao.
- Khi cắt cỏ dài, hãy cắt theo từng lớp từ trên xuống. Cắt nhỏ.
- Giữ công cụ tránh xa các vật cứng và cây leo.
- Nếu công cụ bắt đầu chạy chậm, hãy giảm tải.
- Để cắt gần hơn, hãy hơi nghiêng công cụ.

Cắt tia hàng rào (Hình G, H, I)

Cảnh Báo! Bọc lưỡi dao sau khi tắt.

- Hơi nghiêng công cụ (lên đến 15° so với đường cắt) sao cho đầu lưỡi dao hơi hướng về phía hàng rào. Như vậy sẽ làm cho các lưỡi dao hiệu quả hơn.
- Bắt đầu bằng cách cắt tia phần trên cùng của hàng rào.
- Giữ công cụ ở góc mong muốn và di chuyển đều đặn dọc theo đường cắt. Lưỡi dao hai mặt cho phép bạn cắt theo một trong hai hướng.
- Để có đường cắt thẳng, hãy căng một đoạn dây dọc theo chiều dài của hàng rào ở độ cao mong muốn. Sử dụng dây này như một đường dẫn hướng, cắt ngay phía trên nó.

- Để có được các mặt phẳng, hãy cắt hướng lên trên theo sự tăng trưởng. Các thân cây nhỏ hơn di chuyển ra ngoài khi lưỡi dao cắt xuống, gây ra các vết nông trên hàng rào.
- Cần thận để tránh các vật lạ. Đặc biệt tránh các vật thể cứng như dây kim loại và lan can, vì chúng có thể làm hỏng lưỡi dao.
- Thường xuyên tra dầu cho các lưỡi dao.

Bảo trì

Thiết bị/dụng cụ có dây/không dây của BLACK+DECKER được thiết kế để hoạt động trong thời gian dài và ít phải bảo trì nhất. Việc vận hành liên tục theo ý muốn tùy thuộc vào việc bảo quản đúng cách và vệ sinh thường xuyên.

Bộ sạc của bạn không cần bảo dưỡng ngoài việc vệ sinh thường xuyên.

Cảnh Báo! Trước khi thực hiện bất kỳ thao tác bảo trì nào trên công cụ, hãy tắt công cụ. Rút phích cắm của bộ sạc trước khi làm sạch nó.

- Thường xuyên làm sạch các khe thông gió trong công cụ của bạn và bộ sạc bằng bàn chải mềm hoặc vải khô.
- Thường xuyên lau sạch vỏ động cơ bằng khăn ẩm. Không sử dụng bất kỳ chất tẩy rửa có tính ăn mòn hoặc dung môi nào.
- Sau khi sử dụng, làm sạch các lưỡi dao một cách cẩn thận. Sau khi làm sạch, hãy bôi một lớp dầu máy mỏng để tránh các lưỡi cắt bị gỉ.

Lưu trữ

Khi công cụ không được sử dụng trong vài tháng, tốt nhất là để pin kết nối với bộ sạc. Nếu không, hãy tiến hành như sau:

- Sạc đầy pin.
- Bảo quản công cụ ở một nơi an toàn và khô ráo. Nhiệt độ bảo quản phải luôn duy trì trong khoảng +5 °C đến +40 °C.
- Trước khi sử dụng công cụ sau khi để lâu, hãy sạc đầy lại pin.

Bảo vệ môi trường



Thu gom riêng. Không được vứt bỏ các sản phẩm và pin có ký hiệu này cùng với rác thải sinh hoạt thông thường.

Các sản phẩm và pin chứa vật liệu có thể được thu hồi hoặc tái chế nhằm giảm nhu cầu về vật liệu thô. Vui lòng tái chế sản phẩm điện và pin theo các quy định tại địa phương.

Thông số kỹ thuật

		BCSS20
Điện áp	V	18 (20 Max)
Chiều dài lưỡi (xén)	cm	10
Khoảng cách lưỡi (xén)	mm	23
Chiều dài lưỡi (tia)	cm	20
Khoảng cách lưỡi (tia)	mm	8
Trọng lượng	kg	0.84

Pin				Bộ sạc (min)					
Cat#	Vdc	Ah	Weight Kg	Cat#	90590287*	N517388*	BDC1A	BDC2A	BDC2A36
				Amps	400mA	1A	1A	2A	1.35A
BL1518	18	1.5	0.38	BL1518	225	90	90	25	X
BL1518ST	18	1.5	0.38	BL1518ST	225	90	90	45	X
BL2018	18	2.0	0.39	BL2018	300	120	120	60	X
BL2018ST	18	2.0	0.39	BL2018ST	300	120	120	60	X
BL2518	18	2.5	0.43	BL2518	380	150	150	75	X
BL4018	18	4.0	0.64	BL4018	600	240	240	120	X
BL5018	18	5.0	0.7	BL5018	750	300	300	135	X
BL20362	36	2.0	0.64	BL20362	X	X	X	X	90
BL2536	36	2.5	0.68	BL2536	X	X	X	X	110
BL1554	18/54	1.5	1.08	BL1554	225	90	90	45	X
BL2554	18/54	2.5	1.2	BL2554	380	150	150	75	X

Thông tin dịch vụ

BLACK+DECKER có một mạng lưới đầy đủ các điểm dịch vụ trực thuộc công ty và được ủy quyền trên khắp châu Á. Tất cả các Trung tâm dịch vụ của BLACK+DECKER đều có đội ngũ nhân viên được đào tạo nhằm cung cấp cho khách hàng các dịch vụ về sản phẩm hiệu quả và đáng tin cậy.

Khi bạn cần lời khuyên về kỹ thuật, sửa chữa hay bộ phận thay thế chính hãng, hãy liên hệ với cơ sở BLACK+DECKER gần nhất.

LƯU Ý

- Chính sách của BLACK+DECKER là không ngừng cải tiến sản phẩm và do đó, chúng tôi bảo lưu quyền thay đổi thông số kỹ thuật sản phẩm mà không cần thông báo trước.
- Các thiết bị và phụ kiện tiêu chuẩn có thể khác nhau tùy theo quốc gia.
- Thông số kỹ thuật sản phẩm có thể khác nhau tùy theo quốc gia.

