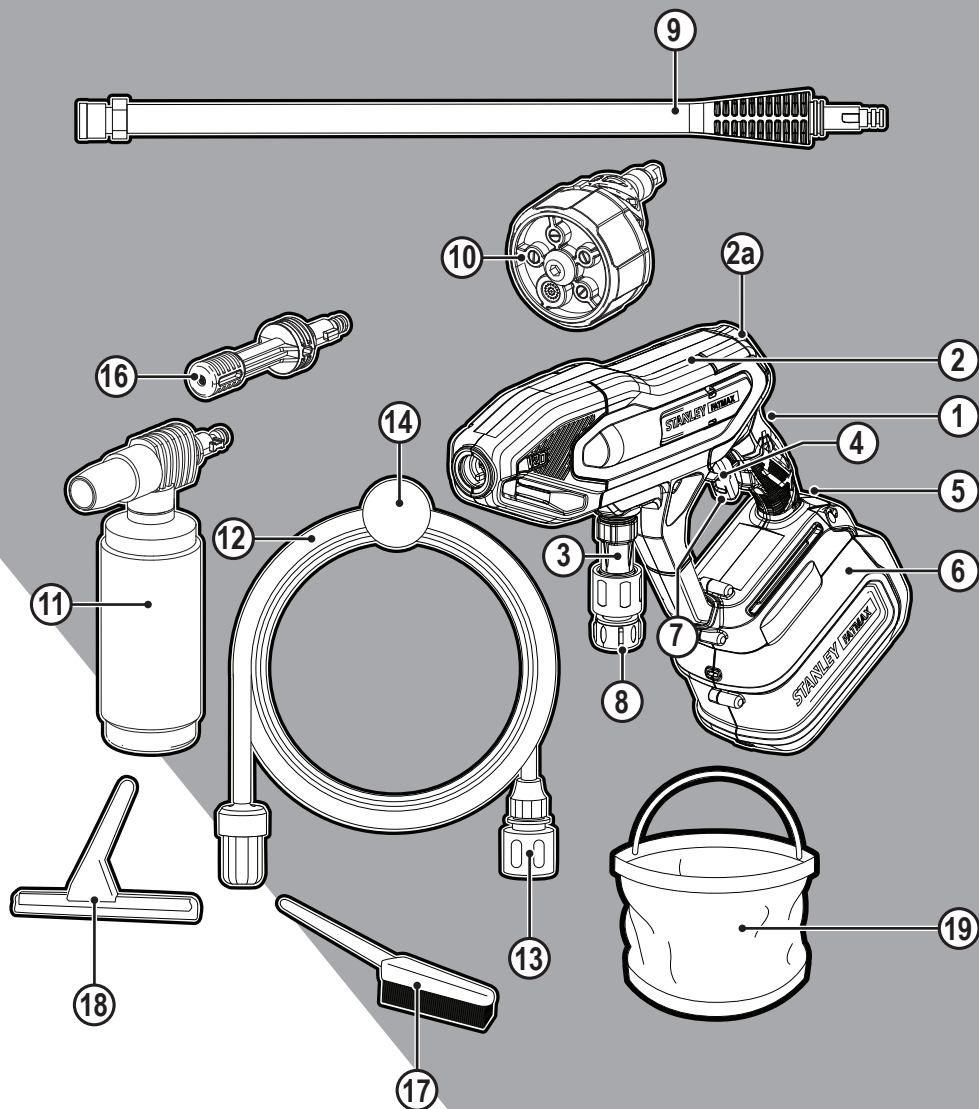


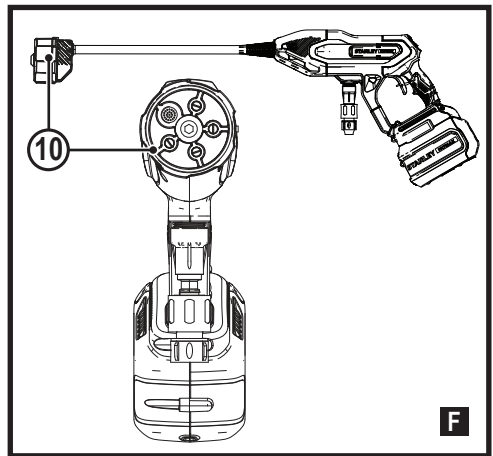
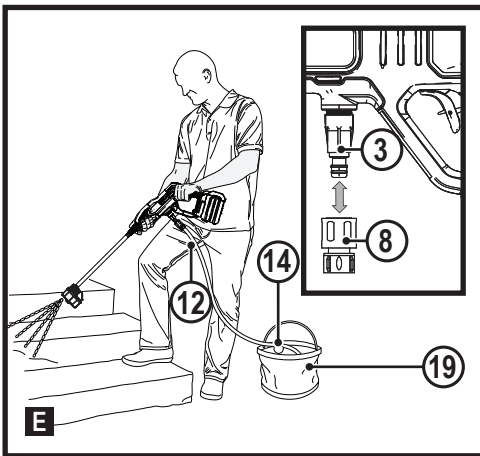
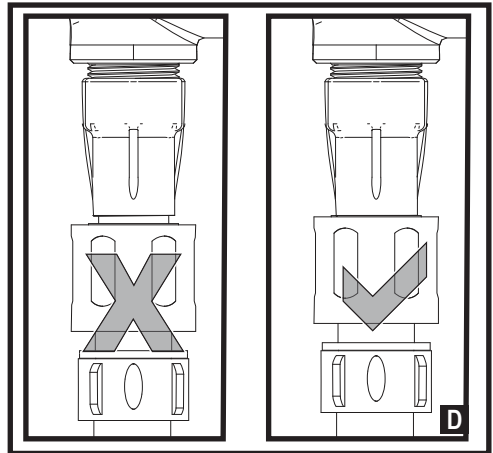
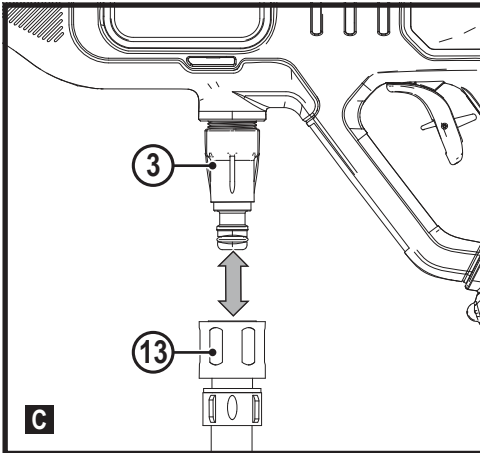
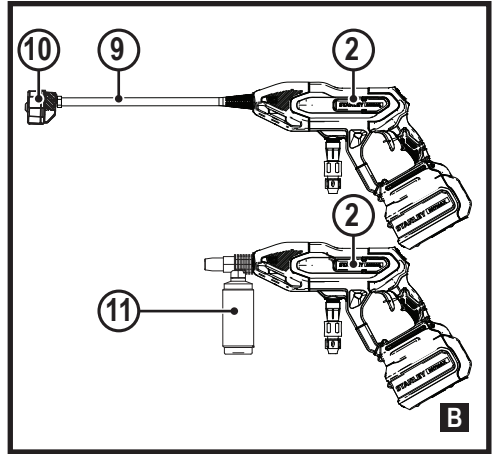
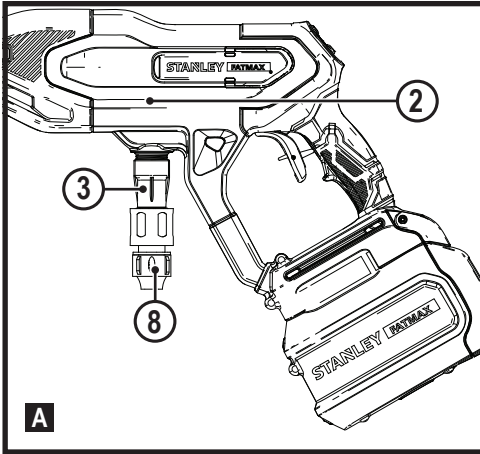
# STANLEY<sup>®</sup> FATMAX<sup>®</sup> V20 LITHIUM ION

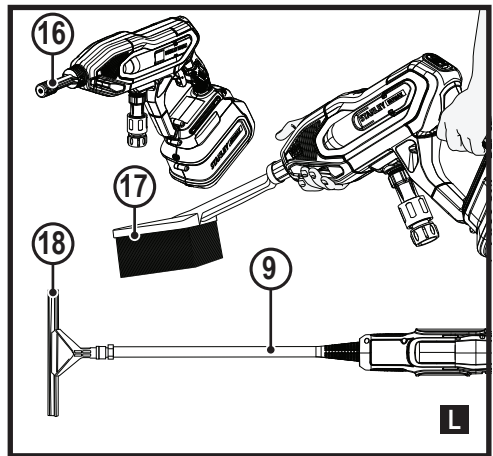
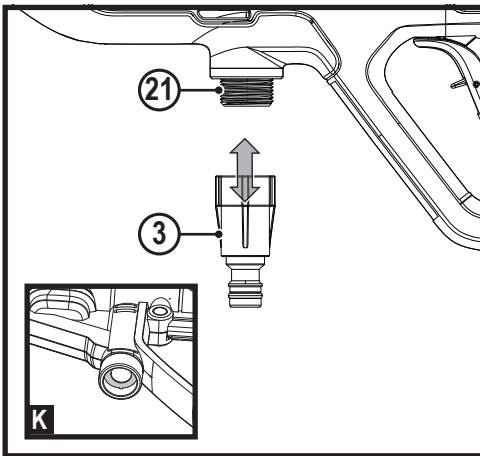
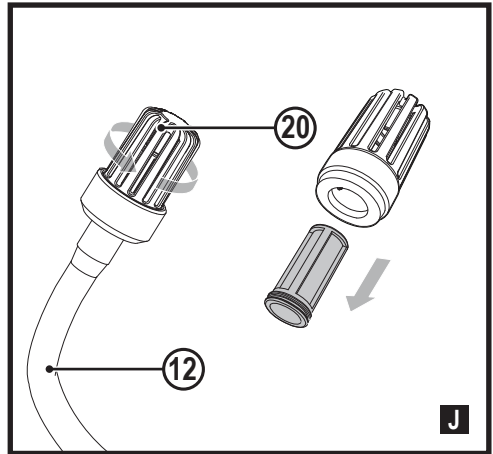
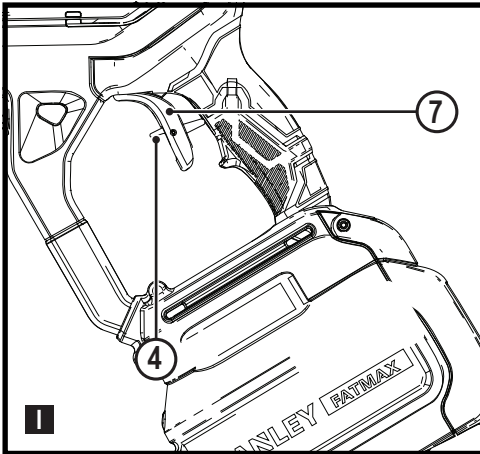
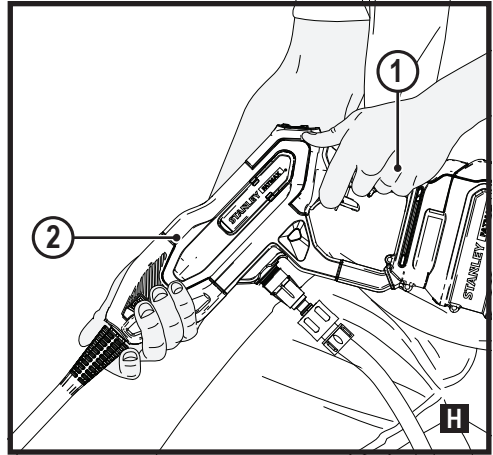
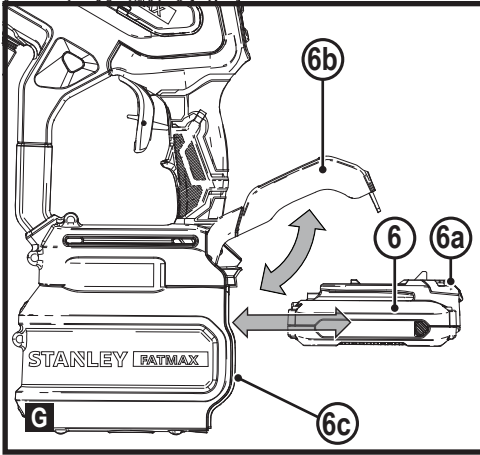


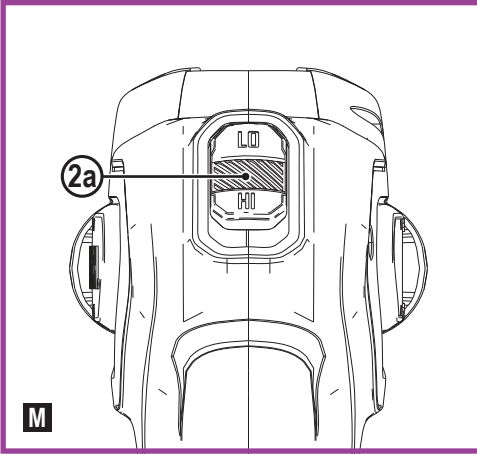
[www.stanley.eu](http://www.stanley.eu)

SFMCPC93

English ( <b>original instructions</b> )	5
Deutsch ( <i>übersetzt von den originalanweisungen</i> )	13
Français ( <i>traduction de la notice d'instructions originale</i> )	23
Italiano ( <i>tradotto dalle istruzioni originali</i> )	33
Nederlands ( <i>vertaald vanuit de originele instructies</i> )	43
Español ( <i>traducido de las instrucciones originales</i> )	53
Português ( <i>traduzido das instruções originais</i> )	63
Svenska ( <i>översatt från de ursprungliga instruktionerna</i> )	73
Norsk ( <i>oversatt fra de originale instruksjonene</i> )	82
Dansk ( <i>oversat fra original brugsvejledning</i> )	90
Suomi ( <i>käännetty alkuperäisestä käyttöohjeesta</i> )	99
Ελληνικά ( <i>μετάφραση από τις πρωτότυπες οδηγίες</i> )	107







Water flowing through a system separator is considered not drinkable.

- ◆ Read all of this manual carefully before operating the appliance.
- ◆ The intended use is described in this manual. The use of any accessory or attachment or the performance of any operation with this appliance other than those recommended in this instruction manual may present a risk of personal injury.
- ◆ Retain this manual for future reference.

### Intended use

Your STANLEY FATMAX SFMCP93 Pressure Cleaner has been designed for cleaning boats, cars, decks, driveways, grills, house siding, motorcycles, patios, and outdoor furniture. These appliances are intended for consumer use only.

## Safety instructions

**Warning!** When using mains-powered/cordless appliances, basic safety precautions, including the following, should always be followed to reduce the risk of fire, electric shock, personal injury and material damage.



Never direct the water jet at people, animals, the machine or electric

components.

**Warning!** High pressure jets can be dangerous if subject to misuse.



According to the applicable regulations, the appliance must never be used on the drinking water network without a system separator. Use a separator as per IEC 61770 Type BA.

## Using your appliance

Always take care when using the appliance.

- ◆ The liquid or steam must not be directed towards equipment containing electrical components, such as the interior of ovens.
- ◆ The appliance is not to be used if it has been dropped, if there are visible signs of damage or if it is leaking.
- ◆ Always use safety glasses or goggles.
- ◆ Never allow children, persons with reduced physical, sensory or mental capabilities or lack of experience and knowledge or people unfamiliar with these instructions to use the machine, local regulations may restrict the age of the operator. Never operate the machine while people, especially children, or pets are nearby.
- ◆ Do not allow children or animals to come near the work area or to touch the appliance or power supply cord.

- ◆ Close supervision is necessary when the appliance is used near children.
- ◆ This appliance is not intended for use by young or infirm persons without supervision.
- ◆ This appliance is not to be used as a toy.
- ◆ Only use the appliance in daylight or good artificial light.
- ◆ Use in a dry location only. Do not allow the appliance to become wet.
- ◆ Avoid using the appliance in bad weather conditions, especially when there is a risk of lightning.
- ◆ Do not immerse the appliance in water.
- ◆ Do not open the body casing. There are not user-serviceable parts inside.
- ◆ Do not operate the appliance in explosive atmospheres, such as in the presence of flammable liquids, gases or dust.
- ◆ The appliance is only to be used with the power supply unit provided with the appliance.
- ◆ Injuries caused when changing any parts, blades or accessories.
- ◆ Injuries caused by prolonged use of a tool. When using any tool for prolonged periods ensure you take regular breaks.
- ◆ Impairment of hearing.
- ◆ Health hazards caused by breathing dust developed when using your tool (example:- working with wood, especially oak, beech and MDF.)

### After use

- ◆ When not in use, the appliance should be stored in a dry, well ventilated place out of reach of children.
- ◆ Children should not have access to stored appliances.
- ◆ When the appliance is stored or transported in a vehicle it should be placed in the boot or restrained to prevent movement following sudden changes in speed or direction.

### Inspection and repairs

- ◆ Before use, check the appliance for damaged or defective parts. Check for breakage of parts and any other conditions that may affect its operation.
- ◆ Do not use the appliance if any part is damaged or defective.
- ◆ Have any damaged or defective parts repaired or replaced by an authorised repair agent.
- ◆ Never attempt to remove or replace any parts other than those specified in this manual.

### Residual risks.

Additional residual risks may arise when using the tool which may not be included in the enclosed safety warnings.

These risks can arise from misuse, prolonged use etc.

Even with the application of the relevant safety regulations and the implementation of safety devices, certain residual risks can not be avoided.

These include:

- ◆ Injuries caused by touching any rotating/moving parts.

## Additional safety instructions for pressure cleaners

The intended use is described in this manual. The use of any accessory or attachment or performance of any operation with this appliance other than those recommended in this instruction manual can present a risk of personal injury and/or damage to property.

- ◆ To protect your feet and legs while operating the appliance, always wear heavy duty footwear and long trousers.
- ◆ Always switch off your product, allow the fan to stop and remove the battery when:
  - ◆ You leave your product unattended.
  - ◆ Clearing a blockage.
  - ◆ Checking, adjusting, cleaning or working on your product.
  - ◆ If the appliance starts to vibrate abnormally.
- ◆ Do not place the inlet or outlet of the pressure cleaner near eyes or ears when operating. Never point in the direction of bystanders.
- ◆ Do not use in the rain or leave outdoors while it is raining.
- ◆ Do not cross gravel paths or roads whilst your product is switched on. Walk, never run.
- ◆ Do not place your unit down on gravel while it is switched on.
- ◆ Always be sure of your footing, particularly on slopes.  
Do not overreach and keep your balance at all times.

- ◆ Do not place any objects into the openings. Never use if the openings are blocked - keep free of hair, lint, dust and anything that may reduce the airflow.

**Warning!** Always use your product in the manner outlined in this manual.

Your product is designed to be used in an upright mode and if it is used in any other way it may result in injury. Never run your product whilst lying on it's side or upside down.

- ◆ The operator or user is responsible for accidents or hazards occurring to other people or their property.
- ◆ Do not use solvents or cleaning fluids to clean your product. Use a blunt scraper to remove grass and dirt.
- ◆ Check the collection bag frequently for wear or deterioration.
- ◆ Replacement fans are available from a STANLEY FATMAX service agent. Use on STANLEY FATMAX recommended spare parts and accessories.
- ◆ Keep all nuts bolts and screws tight to make sure that the appliance is in a safe working condition.

## Safety of others

- ◆ This appliance is not intended for use by persons (including children) with reduced physical, sensory or mental capabilities, or lack of experience and knowledge, unless they have been given supervision or instruction concerning use of the appliance by a person responsible for their safety.

- ◆ Children should be supervised to ensure that they do not play with the appliance.

## Additional safety instructions for batteries and chargers

### Batteries

- ◆ Never attempt to open for any reason.
- ◆ Do not expose the battery to water.
- ◆ Do not store in locations where the temperature may exceed 40 °C.
- ◆ Charge only at ambient temperatures between 10 °C and 40 °C.
- ◆ Charge only using the charger provided with the tool.
- ◆ When disposing of batteries, follow the instructions given in the section "Protecting the environment".

### Chargers

- ◆ Use your STANLEY FATMAX charger only to charge the battery in the tool with which it was supplied. Other batteries could burst, causing personal injury and damage.
- ◆ Never attempt to charge non-rechargeable batteries.
- ◆ Have defective cords replaced immediately.
- ◆ Do not expose the charger to water.
- ◆ Do not open the charger.
- ◆ Do not probe the charger.



The charger is intended for indoor use only.



Read the instruction manual before use.

## Electrical safety



Your charger is double insulated; therefore no earth wire is required. Always check that the mains voltage corresponds to the voltage on the rating plate. Never attempt to replace the charger unit with a regular mains plug.

- ◆ If the supply cord is damaged, it must be replaced by the manufacturer or an authorised STANLEY FATMAX Service Centre in order to avoid a hazard.

### Labels on appliance

The following warning symbols are found on the appliance along with the date code:



Read the manual prior to operation.



Wear safety glasses or goggles when operating this appliance.



Wear suitable ear protectors when operating this appliance.



Always remove the battery from the appliance before performing any cleaning or maintenance.



Do not expose the appliance to rain or high humidity.



Directive 2000/14/EC guaranteed sound power.

### Features

This appliance includes some or all of the following features.

1. Main handle
2. Pressure Cleaner unit
3. Water intake
4. Trigger Lock
5. Battery pack release button
6. Battery pack (included with SFMCPD93D1)
7. On/Off trigger
8. Quick connect filter (included)
9. Pressure Cleaner Quick Connect wand (included STZQDW1)



10. 5in1 Nozzle (included STZ5N1 )
11. Soap bottle (included STZSBSK3: Cleaning KIT)
12. Suction hose (included STZIHK2)
13. Quick connect hose connector (included STZIHK2)
14. Float ball (included STZIHK2)
15. Garden hose adapter (included)
16. Short Wand (accessory STZSW1 )
17. Brush (included STZSBSK3: Cleaning KIT)
18. Squeegee (accessory STZSBSK3: Cleaning KIT)
19. Bucket (included STZB1 )

## Charging a battery

STANLEY FATMAX chargers are designed to charge STANLEY FATMAX battery packs.

- ◆ Plug the charger into an appropriate outlet.
- ◆ Insert and fully seat battery pack. Green charging light will continuously blink while charging.
- ◆ Charging is complete when the green charging light remains continuously ON. Battery pack can be left in charger or removed.
- ◆ Recharge discharged batteries as soon as possible after use or battery life may be greatly diminished.  
For longest battery life, do not discharge batteries fully. It is recommended that the batteries be recharged after each use.

## Charger diagnostics

This charger is designed to detect certain problems that can arise with the battery packs or the power source. Problems are indicated by one LED flashing in different patterns.

### Bad battery

The charger can detect a weak or damaged battery. The LED flashes in the pattern indicated on the label. If you see this bad battery blink pattern, do not continue to charge the battery. Return it to a service center or a collection site for recycling.

### Hot/cold pack delay

When the charger detects a battery that is excessively hot or excessively cold, it automatically starts a Hot/Cold Pack Delay, suspending charging until the battery has normalized. After this happens, the charger automatically switches to the Pack Charging mode. This feature ensures maximum battery life. The light flashes in the pattern indicated on the label.

### Leaving the battery in the charger

The charger and battery pack can be left connected with the LED glowing indefinitely. The charger will keep the battery pack fresh and fully charged.

This charger features an automatic tune-up mode which equals or balances the individual cells in the battery pack to allow it to function at peak capacity.

Battery packs should be tuned up weekly or whenever the battery no longer delivers the same amount of work. To use the automatic tune-up mode, place the battery pack in the charger and leave it for at least 8 hours.

## Important charging notes

- ◆ Longest life and best performance can be obtained if the battery pack is charged when the air temperature is between 18 ° – 24 °C. DO NOT charge the battery pack in an air temperature below +4.5 °C, or above +40 °C. This is important and will prevent serious damage to the battery pack.
- ◆ The charger and battery pack may become warm to the touch while charging. This is a normal condition, and does not indicate a problem.  
To facilitate the cooling of the battery pack after use, avoid placing the charger or battery pack in a warm environment such as in a metal shed or an uninsulated trailer.
- ◆ If the battery pack does not charge properly:
  - ◆ Check operation of receptacle by plugging in a lamp or other appliance;
  - ◆ Check to see if receptacle is connected to a light switch which turns power off when you turn out the lights;
  - ◆ Move the charger and battery pack to a location where the surrounding air temperature is approximately 18 ° – 24 °C;
  - ◆ If charging problems persist, take the tool, battery pack and charger to your local service center.
  - ◆ The battery pack should be recharged when it fails to produce sufficient power on jobs which were easily done previously. DO NOT CONTINUE to use under these conditions. Follow the charging procedure. You may also charge a partially used pack whenever you desire with no adverse effect on the battery pack.
  - ◆ Foreign materials of a conductive nature such as, but not limited to, grinding dust, metal chips, steel wool, aluminum foil, or any buildup of metallic particles should be kept away from charger cavities. Unplug the charger before attempting to clean.
  - ◆ Do not freeze or immerse the charger in water or any other liquid.

## To install battery pack (fig. G)

**Note:** For best results, make sure your battery pack (6) is fully charged.

- ◆ Lift and hold the battery port cover (6b) up to expose the battery port (6c).
- ◆ Align the battery pack with the rails inside the tool's battery port (6c) and slide it into the battery port until the battery pack is firmly seated in the tool and ensure that it does not disengage.

- ◆ Close the battery port cover (6b). Ensure the cover is fully latched into position before starting the tool.

### To remove battery pack (fig. G)

- ◆ Lift and hold the battery port cover (6b) up to expose the battery pack (6).
- ◆ Press the battery release button (6a) on the battery pack (6) and firmly pull the battery pack out of tool.
- ◆ Insert the battery into the charger as described in the charger section of this manual.

### Assembly

**Warning!** To reduce the risk of serious personal injury, turn unit off and remove the battery pack before making any adjustments or removing/installing attachments or accessories. An accidental start-up can cause injury.

### Attaching quick connect filter (Fig. A)

This pressure cleaner must be used with the quick connect adapters. The garden or suction hose can only be attached when the quick connect filter (8) is installed.

- ◆ To connect the quick connect filter (8) to the pressure cleaner (2), place the end of the quick connect filter onto the water intake (3). Tighten the quick connect filter by hand.

**Note:** Avoid cross threading when installing the hose. Cross threading will cause leaks.

### To attach the spray wands, soap bottle or other attachment (Fig. B)

The spray wand, soap bottle and other attachments (sold separately) connect to the pressure cleaner. To connect the spray wands (9) (16) and soap bottle (11) to the pressure cleaner (2):

- ◆ Insert the end of the attachment into the opening on the pressure cleaner (2). Push in and turn the attachment clockwise until its secured into working position.
- ◆ To remove the attachment, push in and turn the attachment counterclockwise and pull from the pressure cleaner (2).

**Note:** Other accessories are available for use with this pressure cleaner, refer to the Accessories section.

### To attach the garden or suction hose (Fig. C, D)

Connecting the garden hose or suction hose will depend on the job to be performed.

### To attach garden hose (Fig. C)

This pressure cleaner must be used with the quick connect adapters.

- ◆ To connect the quick connect hose adapter (13) to a garden hose, thread the quick connect hose adapter onto the end of the garden hose. Tighten the garden hose by hand.

**Note:** Avoid cross threading when installing the hose. Cross threading will cause leaks.

**Note:** Before connecting the garden hose to the pressure cleaner, run water through the garden hose for thirty seconds to clear any debris from the mouth of the garden pressure hose.

- ◆ To connect the quick connect hose adapter (16) to the quick connect filter (3) on the pressure cleaner (2), push the quick connect hose adapter firmly onto the quick connect filter.

**Note:** Before use, gently tug on the garden hose to ensure the connection is secured. Make sure the quick connect hose adapter is flush with the quick connect filter as shown in Figure D.

- ◆ Always disconnect the garden hose after usage. To disconnect, pull back the collar on the quick connect hose adapter and remove from the quick connect filter.

### To attach the suction hose (Fig. C, E)

Use the suction hose to pull water from a bucket or other fresh water source.

**Note:** Do not use to suction soap, chemicals, dirty or corrosive liquids, such as window cleaner, plant food, fertilizers or bleach. Do not use salt water.

- ◆ To connect the quick connect hose adapter (13) on the end of the suction hose to the quick connect filter (3) on the pressure cleaner (2), push the quick connect hose adapter firmly onto the quick connect filter.

**Note:** Before use, gently tug on the garden hose to ensure the connection is secured. Make sure the quick connect hose adapter on the end of the suction hose is flush with the quick connect filter as shown in the Figure E inset.

- ◆ Place other end of suction hose with filter on it into container of fresh water or a fresh water source. Adjust the float on the suction hose so the filter stays covered in the liquid.
- ◆ Select the correct nozzle to be used. See How to Use the Multi-Spray Nozzle paragraph.
- ◆ After the job being performed is complete, place the suction hose into container of clean water and draw the clean water through the system to rinse.

### How to attach 5in1 nozzle to spray wand

**Warning!** Risk of fluid injection. Do not direct discharge stream toward persons, unprotected skin, eyes or any pets or animals. Serious injury will occur.

**Warning!** Flying objects could cause risk of serious injury. DO NOT attempt to change nozzles while pressure cleaner is running. Turn pressure cleaner off before changing nozzles.

- ◆ To connect the nozzle (10) to the spray wand (9), pull the quick connect collar toward the spray wand and insert the nozzle.
- ◆ Release the quick connect collar to lock the nozzle in place.
- ◆ To ensure nozzle is locked into place, give the nozzle a firm tug after the quick connect collar has locked into place.

## How to use spray wand (Fig. F)

A variable 5 in 1 spray nozzle (10) is supplied with this pressure cleaner.

- ◆ To adjust the pressure of the variable spray nozzle (10), twist the tip clockwise or counterclockwise for the desired flow.
  - ◆ A narrow spray is good for cleaning grills, driveways, sidewalks and brick work.
  - ◆ A wide spray is good for cleaning decking, vinyl, painted surfaces, auto/rv and stucco.

**Note:** The high pressure spray from your pressure cleaner is capable of causing damage to surfaces such as wood, glass, automobile paint, auto striping and trim, and delicate objects such as flowers and shrubs. Before spraying, check the item to be cleaned to assure yourself that it is strong enough to resist damage from the force of the spray.

## Proper hand position (Fig. H)

**Warning!** To reduce the risk of serious personal injury, ALWAYS use proper hand position as shown.

**Warning!** To reduce the risk of serious personal injury, ALWAYS hold securely in anticipation of a sudden reaction. Proper hand position requires one hand on the main handle (1) and the other hand on the pressure cleaner's (2) body as shown.

## Pressure cleaning

### Preparing surface for cleaning

- ◆ Remove objects from the area which could create a hazard.
- ◆ Ensure that all doors and windows are closed tight. Protect all plants and trees in the adjacent area with a drop cloth ensuring that they will not be harmed by any overspray.
- ◆ Pre-rinse cleaning area with fresh water.
- ◆ Use only detergents formulated for pressure washers.
- ◆ Always test detergent in an inconspicuous area before use.

## Preparing pressure cleaner unit for use

**Warning!** Risk of fluid injection and laceration. When using the high-pressure setting, DO NOT allow the high-pressure spray to come in contact with unprotected skin, eyes, or with any pets or animals. Serious injury will occur.

**Warning!** Before operation:

- ◆ Connect the water supply to the pressure cleaner. For instructions on connecting the water supply to the pressure cleaner, please refer to Attaching Garden or Suction Hose under Assembly and Adjustments.
- ◆ Connect the pressure spray wand, soap bottle, or other attachment.
 

For instructions on connecting the pressure spray wand, please refer to To Attach the Spray Wand, Soap Bottle or other Attachment under Assembly and Adjustments.

## Preparing pressure cleaner

**Important:** Disengage the trigger lock-off (4), squeeze the trigger (7) and hold the trigger for 30 seconds to purge the system of air. If air is still found in the water stream, continue to run water through the spray handle.

- ◆ Disengage the trigger lock-off (4).
- ◆ Squeeze the trigger (7).

## Cleaning a surface

**Warning!** Risk of injury from spray. Always engage the trigger lock when gun is not in use. Failure to do so could cause accidental spraying.

- ◆ To start the pressure cleaner, disengage the trigger lock-off (4) and squeeze the trigger (7).

**Note:** The best angle for spraying water against a cleaning surface is 45°. Spraying head on tends to cause dirt particles to embed in the surface. When working on vertical surfaces, it is best to apply detergent starting at the bottom and working upwards which will prevent the detergent from sliding down and causing streaks.

- ◆ To stop the pressure cleaner, release the trigger.

**Note:** Excessive pump pressure may be the result of a clogged nozzle or brass coupling.

Always turn off the pressure cleaner and remove the battery before attempting to unclog a nozzle or brass coupler.

**Warning!** Never draw from water that contains chemicals. Only draw from fresh water sources.

## Shutdown

- ◆ To stop the pressure cleaner, release the trigger and remove the battery.
- ◆ Turn off water at the faucet.
- ◆ Discharge residual pressure by squeezing the trigger (7) until no more water comes out of the spray wand (9).
- ◆ Disconnect the garden hose from the water intake (3) and drain hose.

- ◆ Remove garden hose from pressure cleaner by pulling back the collar on the quick connect hose adapter and removing it from the quick connect filter.

## Maintenance

**Warning!** To reduce the risk of serious personal injury, turn unit off and remove the battery pack before making any adjustments or removing/installing attachments or accessories. An accidental start-up can cause injury.

## Cleaning

**Warning!** Blow dirt and dust out of all air vents with clean, dry air at least once a week.

To minimize the risk of eye injury, always wear eye protection when performing this procedure.

**Warning!** Never use solvents or other harsh chemicals for cleaning the non-metallic parts of the tool. These chemicals may weaken the plastic materials used in these parts. Use a cloth dampened only with water and mild soap. Never let any liquid get inside the tool; never immerse any part of the tool into a liquid.

## Nozzle

If the nozzle becomes clogged with foreign materials, such as dirt, excessive pressure may develop.

If the nozzle becomes partially clogged or restricted, the pump pressure will pulsate. Clean the nozzle immediately.

- ◆ Shut off the pressure cleaner (2) and turn off the water supply.
- ◆ Pull trigger (7) on main handle (1) to relieve any water pressure.
- ◆ Remove the nozzle from the spray wand (9) by pulling the quick connect collar (10) toward the spray wand.
- ◆ Unclog any debris from the nozzle.
- ◆ Run water from a faucet or garden hose through the nozzle.

## Soap bottle

- ◆ To clean the soap bottle, shut off the pressure cleaner and turn off the water supply.
- ◆ Pull trigger on gun handle to relieve any water pressure.
- ◆ Decouple the soap bottle (11) from the pressure cleaner and unscrew the soap bottle nozzle.
- ◆ To clean the soap bottle (11), empty any remaining detergent back into its container. Use water from a garden hose to thoroughly rinse out the bottle. Empty the bottle and allow it to dry.
- ◆ Reinstall soap bottle nozzle to the soap bottle.

## Suction hose

- ◆ To clean the suction hose (12), shut off the pressure cleaner.
- ◆ Pull trigger switch to relieve any water pressure.

- ◆ Decouple the suction hose (12) from the pressure cleaner.
- ◆ To clean the suction hose, use water from a garden hose to thoroughly rinse out the suction hose and allow it to dry.

## Suction hose filter (Fig. J)

- ◆ Turn the filter (20) on the end of the suction hose (12) counterclockwise and remove. Remove the strainer from inside of the filter. Rinse all of the parts with clean water and reassemble.

## Quick connect filter (Fig. K)

- ◆ Pull back the collar on the quick connect hose adapter and remove the garden or suction hose from the quick connect filter (8).
- ◆ Remove the quick connect filter from the pressure cleaner.
- ◆ Inside the quick connect filter (8) is a screen filter (22). Remove the screen filter and rinse with clean water and reassemble.

## Speed Selector (Fig. M)

This power cleaner gives you the choice to operate at a lower pressure for more delicate jobs, or accelerate the power cleaner speed for high-performance cleaning.

To accelerate, pull the speed selector (2a) back toward the main handle (1) into the "HI" position. This mode is best for applications that need higher PSI.

For lower pressure, push the speed selector forward toward the spray wand (8) into the "LO" position. This mode is best for larger projects that require more time to complete.

**Note:** When in "HI" mode, runtime will be decreased as compared to when pressure cleaner is in "LO" mode.

## Storage

- ◆ Always completely empty water from the suction hose, pressure cleaner, spray wand, nozzles, and soap bottle.
- ◆ Store in a dry, covered location above freezing temperature. STORE IN DOORS.

## Accessories

**Warning!** Since accessories, other than those offered by STANLEY FATMAX, have not been tested with this product, use of such accessories with this tool could be hazardous. To reduce the risk of injury, only STANLEY FATMAX recommended accessories should be used with this product. Recommended accessories for use with your tool are available at extra cost from your local dealer or authorized service center. If you need assistance in locating any accessory, please contact [www.blackanddecker.co.uk](http://www.blackanddecker.co.uk).

**STZHK2:** SFM Inlet Hose, hose adaptor KIT

**STZBSK3:** SFM Cleaning KIT (Brush, Squeegee, Soap Bottle)

**STZSW1:** SFM Short Wand

- STZ5N1: SFM 5in1 nozzle
- STZB1: SFM Bucket
- STZQDW: SFM Quick Detach Wand

**Protecting the environment**



Separate collection. Products and batteries marked with this symbol must not be disposed of with normal household waste.

Products and batteries contain materials that can be recovered or recycled reducing the demand for raw materials. Please recycle electrical products and batteries according to local provisions.

**Technical data**

SFMCP93		
Pressure	(BAR)	24
Water flow	(l/h)	120
Battery	DC	18V
Inlet Hose		6m
Pressure of Inlet Water	(BAR)	1.4 - 6.9
Inlet water		Cold tap0
Soap Consumption Rate		10% MAX

SFMCB12		
Charger		
Input Voltage	V <sub>ac</sub>	230
Output Voltage	V <sub>dc</sub>	18
Current	A	2

Battery		SFMCB202	SFMCB204	SFMCB206
Voltage	V <sub>dc</sub>	18	18	18
Capacity	Ah	2.0	4.0	6.0
Type		Li-Ion	Li-Ion	Li-Ion

Emission sound pressure level L<sub>PA</sub>: 76,0 dB(A)  
 Uncertainty K= 3 dB(A)  
 Measured sound power level L<sub>WA</sub>: 86,0 dB(A)  
 Uncertainty K= 2,9 dB(A);

The undersigned is responsible for compilation of the technical file and makes this declaration on behalf of STANLEY FATMAX.

*Patrick Diepenbach*

Patrick Diepenbach  
 General Manager, Benelux  
 STANLEY FATMAX,  
 Egide Walschaertsstraat 14-18  
 2800 Mechelen, Belgium  
 30/11/2020

**Guarantee**

Stanley Fat Max is confident of the quality of its products and offers consumers a 12 month guarantee from the date of purchase. This guarantee is in addition to and in no way prejudices your statutory rights.

The guarantee is valid within the territories of the Member States of the European Union and the European Free Trade Area.

To claim on the guarantee, the claim must be in accordance with Stanley Fat Max Terms and Conditions and you will need to submit proof of purchase to the seller or an authorised repair agent. Terms and conditions of the Stanley Fat Max 1 year guarantee and the location of your nearest authorised repair agent can be obtained on the Internet at [www.2helpU.com](http://www.2helpU.com), or by contacting your local Stanley Fat Max office at the address indicated in this manual.

Please visit our website [www.stanley.eu/3](http://www.stanley.eu/3) to register your new Stanley Fat Max product and receive updates on new products and special offers.

(Übersetzung der ursprünglichen Anweisungen)

**Verwendungszweck**

Ihr STANLEY FATMAX Hochdruckreiniger SFMCP93 wurde zur Reinigung von Booten, Autos, Decks, Einfahrten, Grills, Hausverkleidungen, Motorrädern, Terrassen und Außenmöbeln entwickelt. Diese Geräte sind nicht für den gewerblichen Einsatz vorgesehen.

**Sicherheitshinweise**

**Warnung!** Beachten Sie beim Umgang mit netzstrombetriebenen/kabellosen Geräten stets die grundlegenden Sicherheitshinweise, die im Folgenden beschrieben werden. Dadurch verhindern Sie Brände, Stromschläge sowie Sach- und Personenschäden.



Richten Sie den Wasserstrahl niemals auf Menschen, Tiere, die Maschine oder elektrische Komponenten.

**Warnung!** Hochdruckwasserstrahlen können bei falscher Verwendung gefährlich sein.



Nach den geltenden Vorschriften darf das Gerät keinesfalls ohne Systemtrenner im Trinkwassernetz eingesetzt werden. Verwenden Sie ein Trennelement gemäß IEC 61770 Typ BA.

Wasser, das durch einen Systemtrenner fließt, gilt als nicht trinkbar.

- ◆ Lesen Sie diese Anleitung vollständig und aufmerksam durch, bevor Sie das Gerät verwenden.
- ◆ Der vorgesehene Verwendungszweck ist in dieser Anleitung beschrieben. Bei Verwendung von Zubehör oder Anbauteilen, die nicht in dieser Anleitung empfohlen werden, sowie bei der Verwendung des Geräts in Abweichung von den in dieser Anleitung beschriebenen Verfahren besteht Verletzungsgefahr.
- ◆ Bewahren Sie diese Anleitung auf.

## Verwendung des Geräts

Verwenden Sie das Gerät stets mit Umsicht.

- ◆ Halten Sie Flüssigkeiten oder Dampf von Geräten mit elektrischen Komponenten fern, z.B. vom Inneren eines Backofens.

- ◆ Das Gerät darf nicht verwendet werden, wenn es fallen gelassen wurde, wenn es sichtbare Beschädigungen aufweist oder undicht ist.
- ◆ Tragen Sie stets eine Schutzbrille.
- ◆ Lassen Sie diese Maschine niemals von Personen mit eingeschränkten körperlichen, sensorischen oder geistigen Fähigkeiten oder mangelnder Erfahrung und Wissen in Bezug auf diese Anweisungen bedienen; örtliche Bestimmungen können das Alter des Benutzers einschränken. Es sollte stets ein Sicherheitsabstand zu anderen Personen, insbesondere Kindern, und Haustieren eingehalten werden.
- ◆ Achten Sie darauf, dass sich im Arbeitsbereich keine Kinder oder Tiere aufhalten. Verhindern Sie, dass Kinder das Gerät oder das Netzkabel berühren.
- ◆ Seien Sie besonders vorsichtig, wenn Sie das Gerät in der Nähe von Kindern verwenden.
- ◆ Das Gerät ist nicht für die unbeaufsichtigte Verwendung durch Kinder oder gebrechliche Personen vorgesehen.
- ◆ Das Gerät ist kein Spielzeug.
- ◆ Betreiben Sie das Gerät nur bei Tageslicht oder bei ausreichender Beleuchtung.
- ◆ Verwenden Sie das Gerät nur in trockener Umgebung. Achten Sie darauf, dass das Gerät nicht nass wird.

- ◆ Vermeiden Sie, das Gerät bei schlechtem Wetter zu verwenden, vor allem, wenn das Risiko von Gewitter besteht.
- ◆ Tauchen Sie das Gerät nicht in Wasser.
- ◆ Versuchen Sie nicht, das Gehäuse zu öffnen. Im Inneren befinden sich keine zu wartenden Teile.
- ◆ Betreiben Sie das Gerät nicht in explosionsgefährdeter Umgebung, in der sich brennbare Flüssigkeiten, Gase oder Staub befinden.
- ◆ Das Gerät darf nur mit dem im Lieferumfang enthaltenen Netzteil betrieben werden.

## Restrisiken.

Beim Gebrauch dieses Geräts verbleiben zusätzliche Restrisiken, die möglicherweise nicht in den Sicherheitswarnungen genannt werden. Diese Risiken bestehen beispielsweise bei Missbrauch oder längerem Gebrauch. Auch bei der Einhaltung der entsprechenden Sicherheitsvorschriften und der Verwendung aller Sicherheitsgeräte bestehen weiterhin bestimmte Restrisiken.

Diese sind:

- ◆ Verletzungen, die durch das Berühren von sich drehenden/bewegenden Teilen verursacht werden.
- ◆ Verletzungen, die durch das Austauschen von Teilen, Messern oder Zubehör verursacht werden.
- ◆ Der längere Gebrauch eines Geräts kann Verletzungen zur Folge haben.

Legen Sie bei längerem Gebrauch regelmäßige Pausen ein.

- ◆ Schwerhörigkeit.
- ◆ Gesundheitsrisiken durch das Einatmen von Staub beim Gebrauch des Geräts (z. B. bei Holzarbeiten, insbesondere Eiche, Buche und Pressspan)

## Nach dem Gebrauch

- ◆ Bewahren Sie das Gerät bei Nichtgebrauch an einem trockenen, gut belüfteten Ort außerhalb der Reichweite von Kindern auf.
- ◆ Kinder sollten keinen Zugang zu aufbewahrten Geräten haben.
- ◆ Wenn das Gerät in einem Fahrzeug transportiert oder gelagert wird, bewahren Sie es im Kofferraum oder einer geeigneten Ablage auf, damit es bei plötzlichen Geschwindigkeits- oder Richtungsänderungen nicht in Bewegung geraten kann.

## Inspektion und Reparaturen

- ◆ Prüfen Sie das Gerät vor der Verwendung auf beschädigte oder defekte Teile. Prüfen Sie, ob Teile beschädigt sind oder andere Bedingungen vorliegen, die die Funktion beeinträchtigen können.
- ◆ Betreiben Sie das Gerät nicht, wenn Teile beschädigt oder defekt sind.
- ◆ Lassen Sie beschädigte oder defekte Teile in einer Vertragswerkstatt reparieren oder austauschen.

- ◆ Ersetzen oder entfernen Sie keine Teile, für die in dieser Anleitung keine entsprechende Beschreibung enthalten ist.

## Zusätzliche Sicherheitshinweise für Hochdruckreiniger

Der vorgesehene Verwendungszweck ist in dieser Anleitung beschrieben.

Die Verwendung von Zubehör oder Anbauteilen, die nicht in dieser Anleitung empfohlen werden, sowie die Bedienung des Geräts in Abweichung von den in dieser Anleitung beschriebenen Verfahren kann zu Verletzungen und/oder Sachschäden führen.

- ◆ Tragen Sie zum Schutz Ihrer Füße und Beine stets feste Schuhe und eine lange Hose, wenn Sie mit dem Gerät arbeiten.
- ◆ Schalten Sie in folgenden Fällen das Gerät stets aus, warten Sie, bis das Gebläse zum Stillstand gekommen ist, und nehmen Sie den Akku ab:
- ◆ Wenn Sie das Gerät unbeaufsichtigt lassen.
  - ◆ Wenn eine Verstopfung entfernt werden muss.
  - ◆ Wenn das Gerät überprüft, eingestellt oder gereinigt wird.
  - ◆ Wenn das Gerät ungewöhnlich stark zu vibrieren beginnt.
- ◆ Halten Sie während des Betriebs Ihre Augen und Ohren von der Einlass- und der Auslassöffnung des Hochdruckreinigers fern. Richten Sie den Sprühstrahl nicht in Richtung von Personen in Ihrer Nähe.
- ◆ Verwenden Sie das Gerät nicht bei Regen, und lassen Sie es nicht im Regen liegen.
- ◆ Schalten Sie das Gerät vor dem Überqueren von Kieswegen aus. Betreiben Sie das Gerät nur im Gehen, nie im Rennen.
- ◆ Legen Sie das eingeschaltete Gerät nicht auf Kies ab.
- ◆ Achten Sie stets auf Trittsicherheit, insbesondere bei Arbeiten an Hängen. Achten Sie jederzeit auf einen sicheren Stand und eine sichere Balance.
- ◆ Stecken Sie keine Gegenstände in die Öffnungen des Geräts. Verwenden Sie das Gerät nicht, wenn die Öffnungen verstopft sind. Halten Sie die Öffnungen frei von Haaren, Flusen, Staub usw., damit der Luftstrom nicht beeinträchtigt wird.

**Warnung!** Befolgen Sie beim Gebrauch stets die Anweisungen in dieser Anleitung.

Verwenden Sie das Gerät nur in aufrechter Position, um Verletzungen zu vermeiden. Betreiben Sie das Gerät nicht mit der Saugöffnung nach oben oder wenn es auf der Seite liegt.

- ◆ Der Bediener bzw. Benutzer ist für eventuelle Personen- oder Sachschäden verantwortlich.
- ◆ Reinigen Sie das Gerät keinesfalls mit Lösungs- oder Reinigungsmitteln. Verwenden Sie einen stumpfen Schaber, um Gras und Verschmutzungen zu entfernen.



- ◆ Überprüfen Sie den Auffangbeutel regelmäßig auf Abnutzungen und Beschädigungen.
- ◆ Ersatzgebläse sind in Black & Decker Vertragswerkstätten erhältlich. Verwenden Sie nur von Black & Decker empfohlene Ersatz- und Zubehörteile.
- ◆ Ziehen Sie alle Muttern, Bolzen und Schrauben am Gerät fest, um einen sicheren Gerätebetrieb zu gewährleisten.
- ◆ Laden Sie den Akku ausschließlich bei Umgebungstemperaturen zwischen 10 °C und 40 °C.
- ◆ Verwenden Sie ausschließlich das mitgelieferte Ladegerät.
- ◆ Bei der Entsorgung von Akkus oder Batterien die Hinweise im Abschnitt "Umweltschutz" beachten.

## Ladegeräte

- ◆ Verwenden Sie das STANLEY FATMAX Ladegerät nur für den Akku des Werkzeugs, mit dem es geliefert wurde. Andere Akkus können platzen und Sachschäden oder Verletzungen verursachen.
- ◆ Versuchen Sie keinesfalls, nicht aufladbare Batterien zu laden.
- ◆ Lassen Sie beschädigte Kabel sofort austauschen.
- ◆ Achten Sie darauf, dass das Ladegerät nicht mit Wasser in Berührung kommt.
- ◆ Versuchen Sie nicht, das Ladegerät zu öffnen.
- ◆ Nehmen Sie am Ladegerät keine Veränderungen vor.



Das Ladegerät darf nur im Innenbereich verwendet werden.



Vor Gebrauch die Anleitung lesen.

## Sicherheit anderer Personen

- ◆ Dieses Gerät darf nicht von Personen (einschließlich Kindern) mit eingeschränkten physischen, sensorischen oder mentalen Fähigkeiten oder ohne ausreichende Erfahrung oder Kenntnisse verwendet werden, außer wenn diese Personen von einer Person, die für ihre Sicherheit verantwortlich ist, bei der Verwendung des Geräts beaufsichtigt oder mit ihm vertraut gemacht werden.
- ◆ Kinder müssen beaufsichtigt werden, um sicherzustellen, dass sie nicht mit dem Gerät spielen.

## Zusätzliche Sicherheitshinweise für Akkus und Ladegeräte

### Akkus

- ◆ Keinesfalls versuchen, den Akku zu öffnen.
- ◆ Achten Sie darauf, dass der Akku nicht mit Wasser in Berührung kommt.
- ◆ Nicht bei Temperaturen über 40 °C lagern.

## Elektrische Sicherheit



Das Ladegerät ist schutzisoliert, daher ist keine Erdleitung erforderlich. Stellen Sie sicher, dass die Netzspannung der auf dem Typenschild des Geräts angegebenen Spannung entspricht. Ersetzen Sie das Ladegerät keinesfalls durch ein normales Netzkabel.

- Bei einer Beschädigung des Netzkabels muss dieses durch den Hersteller oder eine STANLEY FATMAX Vertragswerkstatt ausgetauscht werden, um mögliche Gefahren zu vermeiden.

### Warnsymbole am Gerät

Am Gerät sind die folgenden Warnsymbole inklusive Datumscode angebracht:



Lesen Sie vor Inbetriebnahme die Bedienungsanleitung.



Tragen Sie eine Schutzbrille, wenn Sie mit dem Gerät arbeiten.



Tragen Sie einen geeigneten Gehörschutz, wenn Sie mit dem Gerät arbeiten.



Entfernen Sie den Akku aus dem Gerät, bevor Reinigungs- oder Wartungsarbeiten durchgeführt werden.



Schützen Sie das Gerät vor Feuchtigkeit und Regen.



Garantierter Schalldruckpegel, gemessen nach Richtlinie 2000/14/EG.

### Merkmale

Dieses Gerät verfügt über einige oder alle der folgenden Merkmale.

1. Haupthandgriff
2. Hochdruckreinigergerät

3. Wassereinlass
4. Auslösersperre
5. Akku-Löseknopf
6. Akku
7. Abzug (Ein-/Ausschalter)
8. Schnellanschlussfilter (im Lieferumfang enthalten)
9. Hochdruckreiniger-Schnellverbindungsstab (im Lieferumfang von STZQDW1)
10. 5-in-1-Düse (im Lieferumfang von STZ5N1)
11. Seifenflasche (Zubehör von STZSBSK3: Reinigungskit)
12. Saugschlauch (im Lieferumfang von STZIHK2)
13. Schnellanschluss-Schlauchverbinder (im Lieferumfang von STZIHK2)
14. Schwimmerkugel (im Lieferumfang von STZIHK2)
15. Gartenschlauchadapter (im Lieferumfang enthalten)
16. Kurzer Sprühstab (Zubehör von STZSW1)
17. Bürste (Zubehör von STZSBSK3: Reinigungskit)
18. Abzieher (Zubehör von STZSBSK3: Reinigungskit)
19. Eimer (Zubehör von STZB1)

### Aufladen eines Akkus

STANLEY FATMAX Ladegeräte sind nur dazu vorgesehen, STANLEY FATMAX Akkus aufzuladen.

- Stecken Sie das Ladegerät in eine geeignete Steckdose.
- Setzen Sie einen vollständig geladenen Akku richtig ein. Die grüne Ladekontrollleuchte blinkt während des Ladevorgangs dauerhaft.
- Ladevorgang ist abgeschlossen, wenn die grüne Ladekontrollleuchte dauerhaft leuchtet. Der Akkupack kann im Ladegerät belassen oder herausgenommen werden.
- Laden Sie entladene Akkus so bald wie möglich nach dem Gebrauch wieder auf, da sonst die Akkulebensdauer stark verringert werden kann. Um die maximal Akkuladefzeit zu erreichen, sollte der Akku nicht vollständig entladen werden. Es wird empfohlen, den Akku nach jedem Gebrauch aufzuladen.

### Diagnose des Ladegeräts

Das Ladegerät ist so konzipiert, dass es bestimmte Probleme erkennen kann, die am Akku oder der Stromquelle auftreten können. Probleme werden dadurch angezeigt, dass eine LED in verschiedenen Sequenzen blinkt.

### Defekter Akku

Das Ladegerät kann einen schwachen oder beschädigten Akku erkennen. Die LED blinkt mit dem Muster, das auf dem Etikett angegeben ist. Wenn das Blinkmuster für einen defekten Akku zu sehen ist, laden Sie den Akku nicht weiter auf. Bringen Sie ihn zu einem Kundendienstzentrum oder einer Recycling-Sammelstelle.

## Verzögerung heißer/kalter Akku

Wenn das Ladegerät erkennt, dass ein Akku übermäßig heiß oder kalt ist, startet es automatisch eine "Verzögerung heißer/kalter Akku", bis sich der Akku normalisiert hat. Danach schaltet das Ladegerät automatisch in den Akku-Lademodus. Diese Funktion gewährleistet eine maximale Lebensdauer des Akkus. Die Leuchte blinkt mit dem Muster, das auf dem Etikett angegeben ist.

## Belassen des Akkus im Ladegerät

Sie können den Akku auch im Ladegerät belassen. In diesem Fall leuchtet die LED-Anzeige dauerhaft. Das Ladegerät hält den Akku in einem vollständig geladenen Zustand.

Dieses Ladegerät verfügt über einen automatischen Feinabstimmungsmodus, der die einzelnen Zellen im Akku abgleicht oder ausgleicht, um eine maximale Kapazität zu gewährleisten.

Die Feinabstimmung des Akkus sollte wöchentlich erfolgen oder wenn der Akku keine ausreichende Leistung mehr liefert. Um die automatische Feinabstimmung zu verwenden, setzen Sie den Akku in das Ladegerät ein und lassen ihn mindestens 8 Stunden darin stecken.

## Wichtige Hinweise zum Aufladen

- Die längste Lebensdauer und die beste Leistung werden erhalten, wenn der Akku dann geladen wird, wenn die Lufttemperatur zwischen 18 ° – 24 °C liegt. Laden Sie den Akku NICHT bei einer Lufttemperatur unter +4,5 °C) oder über +40 °C. Dies ist wichtig, da so schwere Schäden am Akku verhindert werden.
- Das Ladegerät und der Akku können sich während des Ladevorgangs warm anfühlen. Dies ist ein normaler Zustand und weist nicht auf ein Problem hin.

Um das Abkühlen des Akkus nach dem Gebrauch zu erleichtern, platzieren Sie das Ladegerät und den Akku nicht in einer warmen Umgebung, wie beispielsweise in einem Metallschuppen oder einem nicht isolierten Wohnwagen.

- Wenn der Akku nicht richtig aufgeladen wird:
  - Prüfen Sie die Funktionsfähigkeit der Steckdose, indem Sie eine Lampe oder ein anderes Gerät daran anschließen;
  - Überprüfen Sie, ob die Steckdose mit einem Lichtschalter verbunden ist, der auch das Gerät ausschaltet, wenn das Licht ausgeschaltet wird;
  - Bringen Sie Ladegerät und Akku an einen Ort, wo die Umgebungstemperatur ca. 18 ° – 24 °C beträgt;
  - Wenn die Ladeprobleme bestehen bleiben, bringen Sie Werkzeug, Akku und Ladegerät zu Ihrer lokalen Vertragswerkstatt.
  - Der Akku sollte aufgeladen werden, wenn das Gerät nicht mehr die volle Leistung bringt. Betreiben Sie das Werkzeug in diesem Fall NICHT WEITER. Befolgen Sie die Anweisungen bezüglich des Aufladens.

Sie können auch jederzeit einen teilweise entleerten Akku aufladen, ohne dass dies nachteilige Auswirkungen auf den Akku hat.

- Leitende Fremdmaterialien, wie z. B. Schleifstaub, Metallspäne, Stahlwolle, Aluminiumfolie oder die Ansammlung von Metallpartikeln von den Hohlräumen des Ladegerätes fernhalten. Ziehen Sie den Netzstecker des Ladegerätes vor dem Reinigen aus der Steckdose.
- Das Ladegerät nicht einfrieren oder in Wasser oder andere Flüssigkeiten tauchen.

## Anbringen des Akkus (Abb. G)

**Hinweis:** Um beste Ergebnisse zu erzielen, sollte der Akku (6) vollständig aufgeladen werden.

- Heben Sie die Akkuanschlussabdeckung (6b) an, um den Akkuanschluss(6c) freizulegen.
- Richten Sie den Akkupack an den Schienen im Akkuanschluss (6c) des Werkzeugs aus und schieben Sie ihn hinein, bis der Akkupack fest im Werkzeug sitzt und sich nicht lösen kann.
- Schließen Sie die Akkuanschlussabdeckung (6b). Stellen Sie sicher, dass die Abdeckung vollständig eingerastet ist, bevor Sie das Werkzeug einschalten.

## Entfernen des Akkus (Abb. G)

- Heben Sie die Akkuanschlussabdeckung (6b) an, um den Akku (6) freizulegen.
- Drücken Sie die Akku-Lösetaste (6a) auf dem Akku (6) und ziehen Sie den Akku kräftig aus dem Werkzeug heraus.
- Setzen Sie den Akku wie im Abschnitt zum Ladegerät dieser Betriebsanleitung beschrieben in das Ladegerät ein.

## Montage

**Warnung!** Um die Gefahr schwerer Verletzungen zu mindern, schalten Sie das Gerät aus und entfernen Sie den Akku, bevor Sie Einstellungen vornehmen oder Anbaugeräte oder Zubehör anbringen oder entfernen. Ungewolltes Anlaufen kann Verletzungen verursachen.

## Anbringen des Schnellanschlussfilters (Abb. A)

Dieser Hochdruckreiniger muss mit den Schnellanschlussadaptern verwendet werden. Ein Garten- oder Saugschlauch kann erst dann angebracht werden, wenn der Schnellanschlussfilter (8) installiert wurde.

- Zum Anschluss des Schnellanschlussfilters (8) an den Hochdruckreiniger (2) stecken Sie das Ende des Schnellanschlussfilters auf den Wassereinfluss (3). Ziehen Sie den Schnellanschlussfilter von Hand fest.

**Hinweis:** Vermeiden Sie bei der Installation des Schlauchs Kreuzverschraubungen.

Kreuzverschraubungen führen zu Undichtigkeiten.

### Anbringen von Sprühstäben, Seifenflasche oder anderen Zubehörteilen (Abb. B)

An den Hochdruckreiniger können der Sprühstab, die Seifenflasche und andere Zubehörteile (separat erhältlich) angeschlossen werden. Anschließen der Sprühstäbe (9) (16) und der Seifenflasche (11) an den Hochdruckreiniger (2):

- ◆ Stecken Sie das Ende des Zubehörteils in die Öffnung des Hochdruckreinigers (2). Drücken Sie das Zubehörteil herein und drehen Sie es im Uhrzeigersinn, bis es in der Anwendungsposition gesichert ist.
- ◆ Zum Entfernen des Zubehörteils drücken Sie es herein und drehen es gegen den Uhrzeigersinn und ziehen es vom Hochdruckreiniger (2) ab.

**Hinweis:** Für die Verwendung mit diesem Hochdruckreiniger ist weiteres Zubehör erhältlich, siehe Abschnitt „Zubehör“.

### Anbringen eines Garten- oder Saugschlauchs (Abb. C, D)

Das Anschließen eines Garten- oder Saugschlauchs hängt von der geplanten Arbeit ab.

#### Anbringen eines Gartenschlauchs (Abb. C)

Dieser Hochdruckreiniger muss mit den Schnellanschlussadaptern verwendet werden.

- ◆ Zum Anschließen des Schnellanschluss-Schlauchadapters (13) an einen Gartenschlauch schrauben Sie den Adapter auf das Ende des Schlauchs. Ziehen Sie den Gartenschlauch von Hand fest.

**Hinweis:** Vermeiden Sie bei der Installation des Schlauchs Kreuzverschraubungen. Kreuzverschraubungen führen zu Undichtigkeiten.

**Hinweis:** Bevor Sie den Gartenschlauch an den Hochdruckreiniger anschließen, lassen Sie dreißig Sekunden lang Wasser durch den Gartenschlauch laufen, um eventuelle Rückstände aus seiner Mündung zu entfernen.

- ◆ Zum Anschließen des Schnellanschluss-Schlauchadapters (16) an den Schnellkupplungsfilter (3) am Hochdruckreiniger (2) schieben Sie den Adapter fest auf den Schnellanschlussfilter.

**Hinweis:** Ziehen Sie vor dem Gebrauch vorsichtig am Gartenschlauch, um sicherzustellen, dass er fest angeschlossen ist. Achten Sie darauf, dass der Schnellanschluss-Schlauchadapter mit dem Schnellanschlussfilter bündig ist, siehe Abbildung D.

- ◆ Trennen Sie den Gartenschlauch nach jedem Gebrauch ab. Zum Lösen der Verbindung ziehen Sie die Manschette am Schnellanschluss-Schlauchadapter zurück und entfernen sie vom Schnellanschlussfilter.

#### Anbringen eines Saugschlauchs (Abb. C, E)

Verwenden Sie einen Saugschlauch, um Wasser aus einem Eimer oder einer anderen Frischwasserquelle zu saugen.

**Hinweis:** Nicht zum Aufsaugen von Seife, Chemikalien, schmutzigen oder ätzenden Flüssigkeiten, wie z.B. Fensterreiniger, Pflanzennahrung, Dünger oder Bleichmittel verwenden. Kein Salzwasser verwenden.

- ◆ Zum Anschließen des Schnellanschluss-Schlauchadapters (13) an das Ende des Saugschlauchs und den Schnellkupplungsfilter (3) am Hochdruckreiniger (2) schieben Sie den Adapter fest auf den Schnellanschlussfilter.

**Hinweis:** Ziehen Sie vor dem Gebrauch vorsichtig am Gartenschlauch, um sicherzustellen, dass er fest angeschlossen ist. Achten Sie darauf, dass der Schnellanschluss-Schlauchadapter am Ende des Saugschlauchs mit dem Schnellanschlussfilter bündig ist, siehe Ausschnitt in Abbildung E.

- ◆ Stecken Sie das andere Ende des Saugschlauchs mit dem daran befindlichen Filter in einen Behälter mit frischem Wasser oder eine Frischwasserquelle. Stellen Sie den Schwimmer am Saugschlauch so ein, dass der Filter von der Flüssigkeit bedeckt bleibt.
- ◆ Wählen Sie die korrekte zu verwendende Düse. Siehe Abschnitt zur Verwendung der Mehrfachsprühdüse.
- ◆ Nach Abschluss der Arbeit legen Sie den Saugschlauch in einen Behälter mit sauberem Wasser und saugen das saubere Wasser zum Spülen durch das System.

#### Anbringen der 5-in-1-Düse am Sprühstab

**Warnung!** Risiko von Flüssigkeitseinspritzung. Leiten Sie den Wasserstrom nicht auf Personen, ungeschützte Haut, Augen, Haustiere oder andere Tiere. Dies führt zu schweren Verletzungen.

**Warnung!** Umherfliegende Teilchen können schwere Verletzungen verursachen. Versuchen Sie NICHT, die Düsen bei laufendem Hochdruckreiniger zu wechseln. Schalten Sie den Hochdruckreiniger vor dem Düsenwechsel aus.

- ◆ Zum Verbinden der Düse (10) mit dem Sprühstab (9) ziehen Sie die Schnellanschlussmanschette in Richtung des Sprühstabs und setzen die Düse ein.
- ◆ Lösen Sie den Schnellanschlussmanschette, um die Düse zu arretieren.
- ◆ Um sicherzustellen, dass die Düse eingerastet ist, ziehen Sie die Düse fest an, nachdem die Schnellanschlussmanschette eingerastet ist.

#### Verwendung des Sprühstabs (Abb. F)

Im Lieferumfang dieses Hochdruckreinigers ist eine einstellbare 5-in-1-Sprühdüse (10) enthalten.

- ◆ Zur Einstellung des Drucks der einstellbaren Sprühdüse (10) drehen Sie die Spitze je nach gewünschtem Durchfluss im oder gegen den Uhrzeigersinn.

- ◆ Ein schmaler Sprühstrahl eignet sich gut zum Reinigen von Grills, Einfahrten, Bürgersteigen und Mauerwerk.
- ◆ Ein breiter Sprühstrahl eignet sich gut zur Reinigung von Terrassen, Vinylflächen, lackierten Oberflächen, Fahrzeugen und Stuck.

**Hinweis:** Der Hochdrucksprühstrahl Ihres Hochdruckreinigers könnte Oberflächen wie Holz, Glas, Autolack, Fahrzeugzierleisten sowie empfindliche Gegenstände wie Blumen und Sträucher zu beschädigen. Prüfen Sie vor dem Besprühen den zu reinigenden Gegenstand darauf, ob er Beschädigungen durch die Kraft des Sprühstrahls widerstehen kann.

## Richtige Handstellung (Abb. H)

**Warnung!** Um die Gefahr schwerer Verletzungen zu mindern, beachten Sie IMMER die richtige Haltung der Hände, wie dargestellt.

**Warnung!** Um die Gefahr schwerer Verletzungen zu mindern, halten Sie das Gerät IMMER sicher fest und seien Sie auf eine plötzliche Reaktion gefasst.

Bei der korrekten Handposition liegt eine Hand wie abgebildet auf dem Haupthandgriff (1) und die andere auf dem Gehäuse des Hochdruckreinigers (2).

## Hochdruckreinigung

### Oberfläche für die Reinigung vorbereiten

- ◆ Entfernen Sie Gegenstände aus dem Arbeitsbereich, die eine Gefahr darstellen könnten.
- ◆ Stellen Sie sicher, dass bei Fahrzeugen, Terrassen etc. alle Türen und Fenster fest geschlossen sind. Schützen Sie alle Pflanzen und Bäume im angrenzenden Gebiet mit einem Tuch, damit sie nicht durch Sprühnebel beschädigt werden.
- ◆ Spülen Sie den zu reinigenden Bereich mit Frischwasser vor.
- ◆ Verwenden Sie nur Reinigungsmittel, die für Hochdruckreiniger vorgesehen sind.
- ◆ Testen Sie das Reinigungsmittel vor der Anwendung immer an einer unauffälligen Stelle.

### Vorbereitung des Hochdruckreinigers

**Warnung!** Risiko von Flüssigkeitseinspritzung und Verletzungen. Bei Verwendung der Hochdruckeinstellung darf der Hochdrucksprühstrahl NICHT auf ungeschützte Haut, Augen, Haustiere oder andere Tiere gerichtet werden. Dies führt zu schweren Verletzungen.

**Warnung!** Vor der Verwendung:

- ◆ Schließen Sie die Wasserversorgung an den Hochdruckreiniger an. Anweisungen zum Anschließen der Wasserversorgung an den Hochdruckreiniger finden Sie im Abschnitt „Anbringen eines Garten- oder Saugschlauchs“ unter „Montage und Einstellungen“.

- ◆ Schließen Sie den Hochdrucksprühstab, die Seifenflasche oder ein anderes Zubehörteil an.

Anweisungen zum Anschließen des Hochdrucksprühstabs finden Sie im Kapitel „Anbringen von Sprühstäben, Seifenflasche oder anderen Zubehörteilen“ unter „Montage und Einstellungen“.

### Vorbereitung des Hochdruckreinigers

**Wichtig:** Lösen Sie die Auslösersperre (4) und halten Sie den Auslöser (7) 30 Sekunden lang gedrückt, um die Luft aus dem System zu entfernen. Wenn sich im Wasserstrom noch Luft befindet, lassen Sie weiter Wasser durch den Sprühgriff laufen.

- ◆ Geben Sie die Auslösersperre (4) frei.
- ◆ Drücken Sie den Auslöser (7) herein.

### Reinigung von Flächen

**Warnung!** Verletzungsgefahr durch Sprühwasser. Den Auslöser immer verriegeln, wenn die Sprühpistole nicht in Gebrauch ist. Andernfalls könnte es zu versehentlichen Sprühstößen kommen.

- ◆ Lösen Sie zum Starten des Hochdruckreinigers die Auslösersperre (4) und drücken Sie den Auslöser (7).

**Hinweis:** Der beste Winkel für das Sprühen von Wasser gegen eine zu reinigende Fläche beträgt 45°. Bei einem gerade aufgesetzten Sprühkopf können sich Schmutzpartikel in der Oberfläche festsetzen. Bei Arbeiten an senkrechten Flächen ist es daher am besten, das Reinigungsmittel von unten nach oben aufzutragen, damit es nicht nach unten läuft und dabei Streifen verursacht.

- ◆ Zum Stoppen des Hochdruckreinigers lassen Sie den Auslöser los.

**Hinweis:** Bei einer verstopften Düse oder Messingkupplung kann ein zu hoher Pumpendruck entstehen.

Schalten Sie den Hochdruckreiniger immer aus und entfernen Sie den Akku, bevor Sie versuchen, Verstopfungen von einer Düse oder Messingkupplung zu entfernen.

**Warnung!** Saugen Sie niemals Wasser an, das Chemikalien enthält. Verwenden Sie nur Frischwasserquellen.

### Abschalten

- ◆ Zum Stoppen des Hochdruckreinigers lassen Sie den Auslöser los und entfernen den Akku.
- ◆ Drehen Sie das Wasser am Wasserhahn ab.
- ◆ Lassen Sie den Restdruck durch Drücken des Auslösers (7) ab, bis kein Wasser mehr aus dem Sprühstab (9) austritt.
- ◆ Trennen Sie den Gartenschlauch vom Wassereinfluss (3) ab und lassen Sie den Schlauch leer laufen.
- ◆ Entfernen Sie den Gartenschlauch vom Hochdruckreiniger, indem Sie die Manschette am Schnellanschluss-Schlauchadapter zurückziehen und sie vom Schnellanschlussfilter abnehmen.

## Wartung

**Warnung!** Um die Gefahr schwerer Verletzungen zu mindern, schalten Sie das Gerät aus und entfernen Sie den Akku, bevor Sie Einstellungen vornehmen oder Anbaugeräte oder Zubehör anbringen oder entfernen. Ungewolltes Anlaufen kann Verletzungen verursachen.

## Reinigung

**Warnung!** Blasen Sie mindestens einmal pro Woche mit sauberer, trockener Luft Schmutz und Staub aus allen Lüftungsöffnungen heraus.

Tragen Sie bei dieser Arbeit immer einen Augenschutz, um Augenverletzungen zu vermeiden.

**Warnung!** Verwenden Sie niemals Lösungsmittel oder andere scharfe Chemikalien für die Reinigung der nichtmetallischen Teile des Geräts. Diese Chemikalien können das in den Kunststoffteilen verwendete Material aufweichen. Verwenden Sie ein nur mit Wasser und einer milden Seife befeuchtetes Tuch. Achten Sie darauf, dass niemals Flüssigkeiten in das Gerät eindringen. Tauchen Sie niemals irgendein Teil des Gerätes in eine Flüssigkeit.

## Düse

Wenn die Düse durch Fremdkörper, wie z.B. Schmutz, verstopft wird, kann übermäßiger Druck entstehen.

Wenn die Düse teilweise verstopft oder verengt ist, pulsiert der Pumpendruck. Reinigen Sie dann die Düse sofort.

- ◆ Schalten Sie den Hochdruckreiniger (2) ab und stellen Sie die Wasserzufuhr ab.
- ◆ Ziehen Sie den Auslöser (7) am Haupthandgriff (1), um den Wasserdruck abzulassen.
- ◆ Entfernen Sie die Düse vom Sprühstab (9), indem Sie die Schnellverschlussmanschette (10) zum Sprühstab ziehen.
- ◆ Entfernen Sie alle Ablagerungen aus der Düse.
- ◆ Lassen Sie Wasser aus einem Wasserhahn oder Gartenschlauch durch die Düse laufen.

## Seifenflasche

- ◆ Zum Reinigen der Seifenflasche schalten Sie den Hochdruckreiniger aus und stellen die Wasserzufuhr ab.
- ◆ Ziehen Sie den Auslöser am Sprühpistolengriff, um den Wasserdruck abzulassen.
- ◆ Entkoppeln Sie die Seifenflasche (11) vom Hochdruckreiniger und schrauben Sie die Düse der Seifenflasche ab.
- ◆ Zum Reinigen der Seifenflasche (11) schütten Sie restliches Reinigungsmittel zurück in den Behälter. Verwenden Sie Wasser aus einem Gartenschlauch, um die Flasche gründlich auszuspülen. Entleeren Sie die Flasche und lassen Sie sie trocknen.
- ◆ Bringen Sie die Seifenflaschendüse wieder an der Seifenflasche an.

## Saugschlauch

- ◆ Zum Reinigen des Saugschlauchs (12) schalten Sie den Hochdruckreiniger aus.
- ◆ Ziehen Sie den Auslöseschalter, um den Wasserdruck abzulassen.
- ◆ Entkoppeln Sie den Saugschlauch (12) vom Hochdruckreiniger.
- ◆ Verwenden Sie zum Reinigen des Saugschlauchs Wasser aus einem Gartenschlauch, um den Saugschlauch gründlich auszuspülen, und lassen Sie ihn danach trocknen.

## Saugschlauchfilter (Abb. J)

- ◆ Drehen Sie den Filter (20) am Ende des Saugschlauchs (12) zum Abnehmen gegen den Uhrzeigersinn. Entfernen Sie das Sieb aus dem Inneren des Filters. Spülen Sie alle Teile mit sauberem Wasser ab und setzen Sie sie wieder zusammen.

## Schnellanschlussfilter (Abb. K)

- ◆ Ziehen Sie die Manschette am Schnellanschluss-Schlauchadapter zurück und entfernen Sie den Garten- oder Saugschlauch vom Schnellanschlussfilter (8).
- ◆ Nehmen Sie den Schnellanschlussfilter vom Hochdruckreiniger ab.
- ◆ Im Inneren des Schnellanschlussfilters (8) befindet sich ein Siebfilter (22). Entfernen Sie den Siebfilter, spülen Sie ihn mit sauberem Wasser ab und setzen Sie die Teile wieder zusammen.

## Aufbewahrung

- ◆ Entleeren Sie Saugschlauch, Hochdruckreiniger, Sprühstab, Düsen und Seifenflasche immer vollständig.
- ◆ Abgedeckt an einem trockenen Ort oberhalb der Gefrier-temperatur lagern. NICHT IM FREIEN LAGERN.

## Zubehör

**Warnung!** Da Zubehör, das nicht von STANLEY FATMAX angeboten wird, nicht mit diesem Produkt geprüft worden ist, kann die Verwendung von solchem Zubehör an diesem Gerät gefährlich sein. Um das Verletzungsrisiko zu mindern, sollte mit diesem Produkt nur von STANLEY FATMAX empfohlenes Zubehör verwendet werden.

Empfohlenes Zubehör für Ihr Werkzeug können Sie bei Ihrer nächsten Kundendienststelle oder einer autorisierten Kundendienstwerkstatt erwerben. Unterstützung bei der Suche nach Zubehör erhalten Sie auf [www.blackanddecker.co.uk](http://www.blackanddecker.co.uk).

**STZHK2:** SFM Zulaufschlauch, Schlauchadapterkit

**STZBSK3:** SFM Reinigungskit (Bürste, Abzieher, Seifenflasche)

**STZSW1:** SFM Kurzer Sprühstab

**STZ5N1:** SFM 5-in-1-Düse  
**STZB1:** SFM Eimer  
**STZQDW1:** SFM Schnellösestab

**Umweltschutz**



Getrennte Entsorgung. Produkte und Akkus mit diesem Symbol dürfen nicht mit dem normalen Hausmüll entsorgt werden.

Produkte und Akkus enthalten Materialien, die wiederverwertet werden können, um den Bedarf an Rohstoffen zu verringern. Bitte recyceln Sie elektrische Produkte und Akkus gemäß den örtlichen Bestimmungen.

**Technische Daten**

SFMCP93		
Druck	(BAR)	24
Wasserdurchfluss	(l/h)	120
Akku	DC	18V
Zulaufschlauch		6 m
Druck des Zulaufwassers	(BAR)	1,4 - 6,9
Zulaufwasser		Kaltes Leitungswasser
Seifenverbrauch		MAX. 10%

SFMCB12		
Input Voltage	V <sub>ac</sub>	230
Output Voltage	V <sub>dc</sub>	18
Current	A	2

Batterie		SFMCB202	SFMCB204	SFMCB206
Voltage	V <sub>dc</sub>	18	18	18
Capacity	Ah	2.0	4.0	6.0
Type		Li-Ion	Li-Ion	Li-Ion

Emissions-Schalldruckpegel L<sub>PA</sub>: 75,0 dB(A)

Unsicherheitsfaktor K = 3 dB(A)

Gemessener Schallleistungspegel L<sub>WA</sub>: 86,0 dB(A)

Unsicherheitsfaktor K = 1,6 dB(A)

Der Unterzeichnete ist verantwortlich für die Zusammenstellung der technischen Daten und gibt diese Erklärung im Namen von STANLEY FATMAX ab.

*Patrick Diepenbach*

Patrick Diepenbach  
 General Manager, Benelux  
 STANLEY FATMAX,  
 Egide Walschaertsstraat 14-18  
 2800 Mechelen, Belgium  
 30.11.2020

**Garantie**

STANLEY FATMAX vertraut auf die Qualität der eigenen Geräte und bietet dem Käufer eine außergewöhnliche Garantie von 12 Monaten ab Kaufdatum. Diese Garantie versteht sich unbeschadet der gesetzlichen Gewährleistungsansprüche und schränkt diese keinesfalls ein. Diese Garantie gilt innerhalb der Staatsgebiete der Mitgliedstaaten der Europäischen Union und der Europäischen Freihandelszone.

Zur Inanspruchnahme dieser Garantie muss sie den allgemeinen Geschäftsbedingungen von STANLEY FATMAX entsprechen und dem Verkäufer bzw. der Vertragswerkstatt ist ein Kaufnachweis vorzulegen. Die Bedingungen für die 1-jährige Garantie von STANLEY FATMAX und den Standort Ihrer nächstgelegenen Vertragswerkstatt finden Sie im Internet unter [www.2helpU.com](http://www.2helpU.com) oder indem Sie sich an die lokale STANLEY FATMAX-Niederlassung wenden, deren Adresse Sie in dieser Anleitung finden.

Ihr neues STANLEY FATMAX-Produkt können Sie auf unserer Website unter [www.stanley.eu/3](http://www.stanley.eu/3) registrieren. Dort erhalten Sie auch Informationen über neue Produkte und Sonderangebote.

(Traduction des instructions initiales)

**Utilisation prévue**

Votre nettoyeur à haute pression STANLEY FATMAX SFMCP93 a été conçu pour nettoyer les bateaux, les véhicules, les terrasses, les allées, les grillages, les parements de maison, les motos, les patios et les meubles d'extérieur. Ces appareils sont destinés à un usage grand public uniquement.

**Consignes de sécurité**

**Avertissement !** Pour utiliser des appareils alimentés par le réseau électrique ou des appareils sans fil, certaines précautions de sécurité de base, dont celles qui suivent, doivent toujours être respectées afin de réduire le risque d'incendies, de décharges électriques, de blessures et de dommages matériels.



Ne dirigez jamais le jet d'eau vers d'autres personnes, des animaux, la machine ou des composants électriques.

**Avertissement !** Les jets à haute pression peuvent être dangereux s'ils sont mal manipulés.



Conformément à la réglementation en vigueur, l'appareil ne doit jamais être utilisé sur le réseau d'eau potable sans qu'un séparateur ne soit installé. Veuillez à utiliser un séparateur tel que défini dans la norme CEI 61770 Type BA.

L'eau qui circule à travers un séparateur est considérée comme étant non potable.

- ◆ Veuillez à attentivement lire l'intégralité de ce manuel avant d'utiliser l'appareil.
- ◆ Ce manuel décrit la manière d'utiliser l'appareil. L'utilisation d'un accessoire ou d'un équipement autre que ceux recommandés dans ce manuel et l'utilisation de cet appareil à d'autres fins que celles recommandées dans ce manuel d'utilisation peuvent entraîner un risque de blessures.
- ◆ Conservez ce manuel pour pouvoir vous y référer dans le futur.

## Utiliser votre appareil

Prenez toujours toutes les précautions nécessaires lorsque vous utilisez l'appareil.

- ◆ Le liquide ou la vapeur ne doivent en aucun cas être dirigés vers des équipements contenant des composants électriques, comme l'intérieur d'un four par exemple.

- ◆ L'appareil ne doit pas être utilisé s'il a chuté, s'il présente des signes visibles de dommages ou s'il fuit.
- ◆ Portez toujours des lunettes de protection.
- ◆ Ne laissez jamais les enfants ou les personnes ayant des capacités physiques, sensorielles ou intellectuelles réduites ou qui manquent d'expérience et de connaissances ou qui ne se sont pas familiarisées avec ces instructions, utiliser la machine. Il est de plus possible que la réglementation locale restreigne l'âge des utilisateurs. Ne faites jamais fonctionner la machine si des personnes, et particulièrement des enfants ou des animaux sont à proximité.
- ◆ Ne laissez pas les enfants ou les animaux s'approcher de la zone de travail ou toucher l'appareil ou le cordon d'alimentation électrique.
- ◆ Une surveillance étroite est nécessaire lorsque l'appareil est utilisé près d'enfants.
- ◆ Cet appareil n'est pas destiné à être utilisé par des personnes trop jeunes ou infirmes sans surveillance.
- ◆ Cet appareil ne doit pas être utilisé comme un jouet.
- ◆ N'utilisez cet appareil que de jour ou avec un éclairage artificiel approprié.
- ◆ Il ne doit être utilisé que dans des endroits secs. Ne laissez pas l'appareil être mouillé.



- ◆ Évitez d'utiliser l'appareil si les conditions météorologiques sont mauvaises, tout particulièrement lorsqu'il y a un risque de foudre.
- ◆ Ne plongez pas l'appareil dans l'eau.
- ◆ N'ouvrez pas le corps de l'appareil. Il n'y a aucune pièce réparable par l'utilisateur à l'intérieur.
- ◆ N'utilisez pas l'appareil dans un environnement présentant des risques d'explosion, notamment en présence de liquides, gaz ou poussières inflammables.
- ◆ Cet appareil ne doit être utilisé qu'avec le bloc d'alimentation électrique fourni.

### Risques résiduels.

Certains risques résiduels autres que ceux mentionnés dans les avertissements sur la sécurité peuvent survenir en utilisant l'outil.

Ces risques peuvent être dus à une utilisation incorrecte, une utilisation prolongée, etc.

Malgré l'application des normes de sécurité pertinentes et la mise en œuvre de dispositifs de sécurité, certains risques résiduels ne peuvent pas être évités.

Ils comprennent :

- ◆ Les blessures dues au contact avec une quelconque pièce rotative/mobile.
- ◆ Les blessures dues au changement de pièces, de lames ou d'accessoires.
- ◆ Les blessures dues à l'utilisation prolongée d'un outil.

Lorsque vous utilisez un outil quel qu'il soit pendant de longues périodes, veillez à faire des pauses régulières.

- ◆ Les troubles de l'ouïe.
- ◆ Les risques pour la santé dus à l'inhalation des poussières émises pendant l'utilisation de l'outil (exemple : travail avec du bois, surtout le chêne, le hêtre et les panneaux en MDF).

### Après utilisation

- ◆ Quand il n'est pas utilisé, l'appareil doit être rangé dans un endroit suffisamment aéré, sec et hors de portée des enfants.
- ◆ Les enfants ne doivent jamais avoir accès aux appareils une fois qu'ils sont rangés.
- ◆ Quand l'appareil est rangé ou transporté dans un véhicule, il doit être installé dans le coffre ou correctement calé pour éviter les mouvements dus aux changements de direction ou de vitesse.

### Inspections et réparations

- ◆ Avant utilisation, contrôlez l'absence de dommage sur l'appareil ou ses pièces. Contrôlez l'absence de pièces cassées ou de toutes autres anomalies susceptibles de nuire au bon fonctionnement de l'appareil.
- ◆ N'utilisez pas l'appareil si l'une de ses pièces est endommagée ou défectueuse.

- ◆ Faites réparer ou remplacer les pièces défectueuses ou endommagées par un réparateur agréé.
- ◆ Ne tentez jamais de retirer ou de remplacer des pièces autres que celles indiquées dans ce manuel.
- ◆ N'utilisez pas l'appareil sous la pluie et ne le laissez pas dehors par temps pluvieux.
- ◆ Veillez à ne pas traverser des passages gravillonnés quand votre produit est en marche. Veillez à toujours marcher et à ne pas courir.
- ◆ Ne posez pas votre appareil sur des graviers quand il est en marche.
- ◆ Faites toujours attention à votre posture, surtout dans les pentes. Ne vous penchez pas et gardez votre équilibre en permanence.
- ◆ Ne placez aucun objet dans les ouvertures. N'utilisez jamais l'appareil si les ouvertures sont obstruées. Dégagez la poussière, les cheveux et les peluches qui pourraient réduire le débit d'air.

## Consignes de sécurité supplémentaires propres aux nettoyeurs à haute pression

Ce manuel décrit la manière d'utiliser l'appareil. L'utilisation d'un accessoire ou d'un équipement ou l'utilisation de cet appareil à d'autres fins que celles recommandées dans ce manuel d'instructions peuvent entraîner des blessures et/ou des dommages matériels.

- ◆ Pour protéger vos pieds et vos jambes pendant le fonctionnement de l'appareil, portez toujours des chaussures renforcées et un pantalon.
- ◆ Éteignez toujours votre produit, laissez le ventilateur s'arrêter et retirez la batterie :
- ◆ Si vous laissez le produit sans surveillance.
  - ◆ Pour le déboucher.
  - ◆ Pour vérifier, régler, nettoyer ou réparer votre produit.
  - ◆ Si l'appareil commence à vibrer anormalement.
- ◆ Ne placez pas l'entrée ou la sortie du nettoyeur à haute pression près de vos yeux ou de vos oreilles pendant le fonctionnement. Ne visez jamais les personnes à proximité.

**Avertissement !** Utilisez toujours cet appareil de la manière décrite dans le présent manuel.

Votre appareil doit être utilisé à la verticale car il pourrait provoquer des blessures s'il est utilisé d'une autre manière. N'utilisez jamais cet appareil à l'envers ou s'il est posé sur le côté.

- ◆ L'opérateur et/ou l'utilisateur sont responsables des accidents subis et des risques encourus par les autres personnes et leurs biens.
- ◆ N'utilisez pas de solvants ou de liquides de nettoyage pour nettoyer l'appareil. Utilisez un racloir souple pour retirer l'herbe et les saletés.
- ◆ Vérifiez régulièrement l'état d'usure du sac de récupération.

- ◆ Des ventilateurs de rechange sont disponibles chez votre prestataire de services STANLEY FATMAX. N'utilisez que des pièces de rechange et des accessoires recommandés par Black & Decker.
- ◆ Veillez à ce que tous les boulons et toutes les vis restent bien serrés afin de garantir que l'appareil peut fonctionner en toute sécurité.

## Sécurité des personnes

- ◆ Cet appareil n'est pas conçu pour être utilisé par des personnes (y compris des enfants) aux capacités physiques, sensorielles ou intellectuelles réduites ou qui manquent d'expérience et de connaissances, à moins qu'elles ne soient surveillées ou qu'elles n'aient été formées sur la façon d'utiliser l'appareil, par une personne responsable de leur sécurité.
- ◆ Les enfants doivent être surveillés pour garantir qu'ils ne jouent pas avec l'appareil.

## Consignes de sécurité supplémentaires propres aux batteries et aux chargeurs

### Batteries

- ◆ Ne tentez de les ouvrir sous aucun prétexte.
- ◆ N'exposez pas la batterie à l'eau.
- ◆ Ne la rangez pas dans des endroits où la température peut dépasser 40 °C.
- ◆ Ne procédez à la charge qu'à une température ambiante comprise entre 10 °C et 40 °C.

- ◆ N'utilisez que le chargeur fourni avec l'outil.
- ◆ Pour la mise au rebut des batteries, respectez les instructions mentionnées à la section "Protection de l'environnement".

## Chargeurs

- ◆ N'utilisez votre chargeur STANLEY FATMAX que pour recharger la batterie de l'outil avec lequel elle a été fournie. Les autres batteries pourraient exploser et entraîner des blessures et des dommages.
- ◆ Ne tentez jamais de recharger des piles non rechargeables.
- ◆ Faites immédiatement remplacer les cordons endommagés.
- ◆ N'exposez pas le chargeur à l'eau.
- ◆ N'ouvrez pas le chargeur.
- ◆ Ne sondez pas le chargeur.



Le chargeur est conçu pour être exclusivement utilisé à l'intérieur.



Lisez le manuel d'utilisation avant de l'utiliser.

## Sécurité électrique



Votre chargeur dispose d'une double isolation, aucune liaison à la terre n'est donc nécessaire. Vérifiez toujours que la tension du réseau électrique correspond à la tension mentionnée sur la plaque signalétique. N'essayez jamais de remplacer le module de charge par une prise de courant ordinaire.

- ◆ Si le câble d'alimentation est endommagé, il doit être remplacé par le fabricant ou par un centre d'assistance STANLEY FATMAX agréé afin d'éviter tout accident.

### Étiquettes apposées sur l'appareil

Les symboles d'avertissement qui suivent figurent sur l'appareil avec le code date :



Lisez le manuel avant utilisation.



Portez toujours des lunettes de protection pour utiliser cet appareil.



Portez toujours des protections auditives appropriées pour utiliser cet appareil.



Retirez toujours la batterie de l'appareil avant toute opération de nettoyage ou de maintenance.



N'exposez l'appareil ni à la pluie, ni à l'humidité.



Puissance sonore garantie conforme à la Directive 2000/14/CE.

### Caractéristiques

Cet appareil présente tout ou partie des caractéristiques suivantes.

1. Poignée principale
2. Nettoyeur à haute pression
3. Arrivée d'eau
4. Bouton de verrouillage de la gâchette
5. Bouton de libération du bloc-batterie
6. Bloc-batterie
7. Gâchette Marche/Arrêt
8. Filtre à raccord rapide (fourni)
9. Lance haute pression avec raccord rapide (fourni STZQDW1)
10. Buse 5-en-1 (fournie STZ5N1)
11. Bouteille pour détergent (accessoire STZSBSK3 : Kit de nettoyage)
12. Tuyau d'aspiration (fourni STZIHK2)
13. Raccord rapide de tuyau (fourni STZIHK2)
14. Flotteur (fourni STZIHK2)
15. Adaptateur pour tuyau d'arrosage (fourni)
16. Lance courte (accessoire STZSW1)

17. Brosse (accessoire STZSBSK3 : Kit de nettoyage)
18. Raclette (accessoire STZSBSK3 : Kit de nettoyage)
19. Seau (accessoire STZB1)

### Recharger une batterie

Les chargeurs STANLEY FATMAX sont conçus pour recharger les blocs-batteries STANLEY FATMAX.

- ◆ Branchez le chargeur dans une prise de courant adaptée.
- ◆ Insérez complètement le bloc-batterie. Le voyant de charge vert clignote en continu pendant la charge.
- ◆ La fin de la charge est indiquée par le voyant de charge vert restant allumé en fixe. Le bloc-batterie peut soit être laissé dans le chargeur, soit en être retiré.
- ◆ Rechargez les batteries déchargées dès que possible après utilisation pour ne pas grandement diminuer leur durée de vie.  
Pour augmenter la durée de vie de la batterie, ne la laissez pas se décharger complètement. Il est recommandé de recharger les batteries après chaque utilisation.

### Diagnostics du chargeur

Ce chargeur est conçu pour détecter certains problèmes qui peuvent survenir avec les blocs-batteries ou la source d'alimentation. Les problèmes sont signalés par un voyant clignotant de différentes manières.

### Batterie défectueuse

Le chargeur peut détecter une batterie faible ou endommagée. Le voyant clignote de la façon indiquée sur l'étiquette. Arrêtez la charge de la batterie si vous voyez ce motif de clignotement indiquant que la batterie est défectueuse. Renvoyez-la dans un centre d'assistance ou un site de collecte pour recyclage.

### Délai Bloc chaud/froid

Lorsque le chargeur détecte que la batterie est trop chaude ou trop froide, il démarre automatiquement un délai Bloc Chaud/Froid, suspendant la charge jusqu'à ce que la batterie se stabilise. Après cela, le chargeur passe automatiquement en mode Charge Bloc. Cette fonctionnalité permet de garantir une durée de vie maximale pour la batterie. Le voyant clignote de la façon indiquée sur l'étiquette.

### Laisser la batterie dans le chargeur

Le chargeur et le bloc-batterie peuvent rester raccordés avec le voyant allumé en continu. Le chargeur maintient le bloc-batterie complètement chargé.

Ce chargeur dispose d'un mode Ajustage automatique qui égalise ou équilibre les cellules individuelles du bloc-batterie pour lui permettre de fonctionner à sa pleine capacité. Les blocs-batteries doivent être ajustés toutes les semaines ou dès que la batterie ne permet plus de réaliser les mêmes tâches qu'auparavant.

Pour utiliser le mode Ajustage automatique, placez le bloc-batterie dans le chargeur et laissez-le dedans pendant au moins 8 heures.

### Remarques importantes liées à la charge

- ◆ Une durée de vie plus longue et de meilleures performances peuvent être obtenues si le bloc-batterie est rechargé à une température ambiante comprise entre 18 ° et 24 °C.

NE rechargez PAS le bloc-batterie si la température ambiante est inférieure à +4,5 °C ou supérieure à +40 °C. Cette consigne est importante car elle permet d'éviter le grave endommagement du bloc-batterie.

- ◆ Le chargeur et le bloc-batterie peuvent devenir chauds au toucher pendant la charge. C'est normal et cela n'indique pas un problème.

Afin de faciliter le refroidissement du bloc-batterie après utilisation, évitez de placer le chargeur ou le bloc-batterie dans un environnement chaud comme une remise métallique ou une remorque non isolée.

- ◆ Si le bloc-batterie ne se recharge pas correctement :
  - ◆ Vérifiez le bon fonctionnement de la prise murale en y branchant une lampe ou un autre appareil ;
  - ◆ Vérifiez que la prise de courant n'est pas reliée à un interrupteur coupant l'alimentation lorsque l'on éteint l'éclairage ;
  - ◆ Déplacez le chargeur et le bloc-batterie dans un endroit où la température ambiante est comprise entre 18 ° et 24 °C environ ;
  - ◆ Si les problèmes de charge persistent, apportez l'outil, le bloc-batterie et le chargeur dans votre centre d'assistance local.
  - ◆ Le bloc-batterie doit être rechargé lorsqu'il ne parvient plus à fournir la puissance nécessaire aux opérations qui étaient facilement réalisées auparavant. CÉSEZ D'UTILISER l'outil dans ces conditions. Respectez la procédure de charge. Vous pouvez également recharger un bloc déjà utilisé si vous le souhaitez, sans que cela n'affecte le bloc-batterie.
- ◆ Les corps étrangers de nature conductrice comme, notamment et entre autres, les poussières de meulage, les copeaux métalliques, la laine d'acier, les feuilles d'aluminium ou toute autre accumulation de particules métalliques doivent être tenus à distance des cavités du chargeur. Débranchez le chargeur avant de nettoyer.
- ◆ Ne congélez pas le chargeur et ne l'immergez pas dans l'eau ou dans tout autre liquide.

### Pour installer le bloc-batterie (Fig. G)

**Remarque :** Pour un résultat optimal, contrôlez que votre bloc-batterie (6) est complètement rechargé.

- ◆ Relevez et maintenez le cache du port de la batterie (6b) pour pouvoir accéder au port de la batterie (6c).

- ◆ Alignez le bloc-batterie avec les rails à l'intérieur du port de la batterie (6c), glissez-le à l'intérieur jusqu'à ce qu'il soit parfaitement en place dans l'outil et assurez-vous qu'il ne puisse pas se dégager.
- ◆ Fermez le cache du port de la batterie (6b). Veillez à ce que le cache soit parfaitement fixé en place avant de démarrer l'outil.

### Pour retirer le bloc-batterie (Fig. G)

- ◆ Relevez et maintenez le cache du port de la batterie (6b) pour pouvoir accéder au bloc-batterie (6).
- ◆ Enfoncez le bouton de libération de la batterie (6a) sur le bloc-batterie (6) et tirez ce dernier hors de l'outil.
- ◆ Insérez la batterie dans le chargeur comme décrit dans la section sur le chargeur de ce manuel.

### Assemblage

**Avertissement !** Afin de réduire tout risque de blessures graves, éteignez l'appareil et retirez le bloc-batterie avant d'effectuer tout réglage ou de retirer/installer toute pièce ou accessoire. Tout démarrage accidentel peut provoquer des blessures.

### Fixer le filtre à raccord rapide (Fig. A)

Ce nettoyeur à haute pression doit être utilisé avec des adaptateurs avec raccord rapide. Le tuyau d'arrosage et/ou le tuyau d'aspiration ne peuvent être fixés que si le filtre à raccord rapide (8) est installé.

- ◆ Afin de pouvoir raccorder le filtre à raccord rapide (8) sur le nettoyeur à haute pression (2), installez l'extrémité du filtre à raccord rapide sur l'arrivée d'eau (3). Serrez le filtre à raccord rapide à la main.

**Remarque :** Veillez à éviter de fausser le filetage en installant le tuyau. Cela pourrait entraîner une fuite.

### Pour fixer les lances, la bouteille de détergent ou d'autres accessoires (Fig. B)

La lance, la bouteille de détergent et les autres accessoires (vendus séparément) doivent être raccordés au nettoyeur à haute pression. Pour raccorder les lances (9) (16) et la bouteille de détergent (11) au nettoyeur à haute pression (2) :

- ◆ Insérez l'extrémité de l'accessoire dans l'ouverture sur le nettoyeur à haute pression (2). Poussez puis tournez l'accessoire dans le sens des aiguilles d'une montre jusqu'à ce qu'il soit bien fixé en position de travail.
- ◆ Pour le retirer, poussez puis tournez l'accessoire dans le sens inverse des aiguilles d'une montre avant de le tirer hors du nettoyeur à haute pression (2).

**Remarque :** Il existe d'autres accessoires pouvant être utilisés avec ce nettoyeur à haute pression. Pour savoir lesquels, consultez la section Accessoires.

## Pour fixer le tuyau d'arrosage ou le tuyau d'aspiration (Fig. C, D)

Le choix de raccorder le tuyau d'arrosage ou le tuyau d'aspiration dépend du travail à réaliser.

### Pour fixer le tuyau d'arrosage (Fig. C)

Ce nettoyeur à haute pression doit être utilisé avec des adaptateurs avec raccord rapide.

- ◆ Pour raccorder l'adaptateur de tuyau avec raccord rapide (13) à un tuyau d'arrosage, vissez-le sur l'extrémité du tuyau d'arrosage. Serrez le tuyau d'arrosage à la main.

**Remarque :** Veillez à éviter de fausser le filetage en installant le tuyau. Cela pourrait entraîner une fuite.

**Remarque :** Avant de raccorder le tuyau d'arrosage au nettoyeur à haute pression, faites couler de l'eau par le tuyau d'arrosage pendant trente secondes afin de supprimer tous les débris qui pourraient se trouver dans l'embouchure du tuyau.

- ◆ Pour raccorder l'adaptateur de tuyau avec raccord rapide (16) sur le filtre à raccord rapide (3) sur le nettoyeur à haute pression (2), poussez-le fermement sur le filtre.

**Remarque :** Avant utilisation, tirez légèrement sur le tuyau d'arrosage pour vous assurer que le raccord tient. Veillez à ce que l'adaptateur de tuyau avec raccord rapide soit bien à fleur du filtre à raccord rapide, comme illustré par la figure D.

- ◆ Veillez à toujours débrancher le tuyau d'arrosage après chaque utilisation. Pour le débrancher, tirez la bague de l'adaptateur de tuyau avec raccord rapide avant de retirer le tuyau du filtre.

### Pour fixer le tuyau d'aspiration (Fig. C, E)

Utilisez le tuyau d'aspiration pour aspirer l'eau d'un seau ou d'une autre source d'eau douce.

**Remarque :** Ne l'utilisez pas pour aspirer des détergents, des produits chimiques, des liquides sales ou corrosifs, comme du produit à vitres, des nutriments pour végétaux, des engrais ou de l'eau de javel, par exemple. N'utilisez pas d'eau salée.

- ◆ Pour raccorder l'adaptateur de tuyau avec raccord rapide (13) en extrémité du tuyau d'aspiration sur le filtre à raccord rapide (3) sur le nettoyeur à haute pression (2), poussez-le fermement sur le filtre.

**Remarque :** Avant utilisation, tirez légèrement sur le tuyau d'arrosage pour vous assurer que le raccord tient. Veillez à ce que l'adaptateur de tuyau avec raccord rapide en extrémité du tuyau d'aspiration soit bien à fleur du filtre à raccord rapide, comme illustré par l'encart de la figure E.

- ◆ Placez l'autre extrémité du tuyau d'aspiration avec le filtre dans le contenant d'eau douce ou sur l'alimentation en eau douce. Ajustez le flotteur sur le tuyau d'aspiration de sorte que le filtre reste recouvert d'eau.
- ◆ Sélectionnez la buse à utiliser. Consultez le paragraphe "Comment utiliser la buse multijet".

- ◆ Une fois l'intervention terminée, placez le tuyau d'aspiration dans un contenant d'eau douce et faites couler de l'eau pour rincer le système.

## Comment installer la buse 5-en-1 sur la lance

**Avertissement !** Risque d'infiltration de liquide. Veillez à ne jamais diriger le jet vers quiconque ou des parties de peau non protégées, les yeux ou des animaux domestiques ou non. De graves blessures seraient sinon possibles.

**Avertissement !** La projection d'objets peut créer un risque de blessures graves. NE tentez PAS de remplacer les buses lorsque le nettoyeur à haute pression est en marche. Éteignez le nettoyeur à haute pression avant de remplacer les buses.

- ◆ Pour raccorder la buse (10) sur la lance (9), tirez la bague du raccord rapide vers la lance et insérez la buse.
- ◆ Relâchez la bague du raccord rapide pour verrouiller la buse en place.
- ◆ Pour contrôler que la buse est bien verrouillée, tirez dessus d'un coup sec après le verrouillage de la bague du raccord rapide.

## Comment utiliser la lance (Fig. F)

Ce nettoyeur à haute pression est livré avec une buse 5-en-1 à jet variable (10).

- ◆ Pour régler la pression de la buse réglable (10), tournez la pointe dans le sens des aiguilles d'une montre ou dans le sens inverse jusqu'à obtenir le jet voulu.
  - ◆ Le jet fin est idéal pour nettoyer les grillages, les allées, les trottoirs et les ouvrages en brique.
  - ◆ Le jet plus large est idéal pour nettoyer les terrasses, le vinyle, les surfaces peintes, les véhicules/camping-cars et le stuc.

**Remarque :** Le jet à haute pression de votre nettoyeur à haute pression peut endommager les surfaces comme le bois, le verre, la peinture automobile, les adhésifs et les garnitures automobiles ainsi que les choses délicates comme les fleurs et les arbustes. Avant de pulvériser, contrôlez l'élément à nettoyer pour vous assurer qu'il est suffisamment solide pour résister à la puissance du jet.

## Position correcte des mains (Fig. H)

**Avertissement !** Afin de réduire tout risque de graves blessures, respectez TOUJOURS la position des mains recommandée et illustrée.

**Avertissement !** Afin de réduire tout risque de graves blessures, tenez TOUJOURS l'appareil fermement pour pouvoir anticiper toute réaction soudaine.

La position correcte des mains nécessite une main sur la poignée principale (1) et l'autre main sur le corps du nettoyeur à haute pression (2), comme illustré.

## Nettoyage à haute pression

### Préparer la surface à nettoyer

- ◆ Retirez tous les objets qui pourraient créer un risque de la zone d'intervention.
- ◆ Veillez à bien fermer toutes les portes et toutes les fenêtres. Protégez toutes les plantes et tous les arbres aux alentours avec des chiffons de protection afin de garantir qu'ils ne pourront pas être abîmés par le jet.
- ◆ Commencez par rincer la zone d'intervention à l'eau douce.
- ◆ Veillez à n'utiliser que des détergents spécialement formulés pour les nettoyeurs à haute pression.
- ◆ Testez toujours le détergent dans une zone discrète avant de commencer.

### Préparer le nettoyeur à haute pression pour l'utiliser

**Avertissement !** Risque d'infiltration de liquide ou de laceration. Lorsque vous utilisez le niveau de réglage Haute pression, NE laissez PAS le jet à haute pression entrer en contact avec votre peau non protégée, vos yeux ou n'importe quel animal, domestique ou non. De graves blessures seraient sinon possibles.

**Avertissement !** Avant l'utilisation :

- ◆ Raccordez l'alimentation en eau au nettoyeur à haute pression. Pour savoir comment raccorder l'alimentation en eau au nettoyeur à haute pression, consultez la section "Pour fixer le tuyau d'arrosage ou le tuyau d'aspiration" dans "Assemblage et Réglages".
- ◆ Raccordez la lance haute pression, la bouteille de détergent ou un autre accessoire. Pour savoir comment raccorder la lance, consultez la section "Pour fixer les lances, la bouteille de détergent ou d'autres accessoires" dans "Assemblage et Réglages".

### Préparer le nettoyeur à haute pression

**Important :** Désenclenchez le bouton de verrouillage de la gâchette (4), enfoncez la gâchette (7) et maintenez-la enfoncée pendant 30 secondes pour purger l'air du circuit. Continuez à faire couler de l'eau par la poignée de pulvérisation tant que vous détectez de l'air dans le jet d'eau.

- ◆ Désenclenchez le système de verrouillage de la gâchette (4).
- ◆ Enfoncez la gâchette (7).

### Nettoyer une surface

**Avertissement !** Risque de blessure dû au jet. Enclenchez toujours le système de verrouillage de la gâchette lorsque vous n'utilisez pas le pistolet. Le non-respect de cette consigne peut entraîner la projection accidentelle du jet.

- ◆ Pour allumer le nettoyeur à haute pression, désenclenchez le système de verrouillage de la gâchette (4) en enfoncez la gâchette (7).

**Remarque :** Le meilleur angle d'inclinaison pour pulvériser l'eau contre la surface à nettoyer est 45°. La pulvérisation frontale a tendance à provoquer l'incrustation des particules dans la surface. Lorsque vous intervenez sur des surfaces verticales, il est préférable d'appliquer le détergent et de travailler de bas en haut pour éviter les coulures et les traînées.

- ◆ Pour éteindre le nettoyeur à haute pression, relâchez la gâchette.

**Remarque :** Une pression excessive de la pompe peut induire le bouchage de la buse ou du raccord en laiton. Veillez à toujours éteindre le nettoyeur à haute pression et à en retirer la batterie avant de tenter de déboucher une buse ou le raccord en laiton.

**Avertissement !** Ne vous servez jamais d'eau contenant des produits chimiques. Veillez à ne vous servir que de sources d'eau douce.

### Extinction

- ◆ Pour éteindre le nettoyeur à haute pression, relâchez la gâchette et retirez la batterie.
- ◆ Coupez l'eau au niveau du robinet.
- ◆ Purgez la pression restante en enfonçant la gâchette (7) jusqu'à ce qu'il n'y ait plus d'eau qui sorte de la lance (9).
- ◆ Débranchez le tuyau d'arrosage de l'arrivée d'eau (3) et videz le tuyau.
- ◆ Retirez le tuyau d'arrosage du nettoyeur à haute pression en tirant la bague de l'adaptateur de tuyau avec raccord rapide avant de le retirer du filtre avec raccord rapide.

### Maintenance

**Avertissement !** Afin de réduire tout risque de blessures graves, éteignez l'appareil et retirez le bloc-batterie avant d'effectuer tout réglage ou de retirer/installer toute pièce ou accessoire. Tout démarrage accidentel peut provoquer des blessures.

### Nettoyage

**Avertissement !** Soufflez les saletés et les impuretés des sorties d'air à l'aide d'air propre et sec, au moins une fois par semaine.

Afin de réduire le risque de blessures aux yeux, veillez à toujours porter des protections oculaires pour réaliser cette opération.

**Avertissement !** N'utilisez jamais de solvants ou d'autres produits chimiques décapants pour nettoyer les pièces non métalliques de l'outil. Ces produits chimiques pourraient fragiliser la matière plastique de ces pièces. Utilisez un chiffon humidifié avec de l'eau et un savon doux. Ne laissez jamais aucun liquide pénétrer à l'intérieur de l'outil et n'immergez jamais aucune de ses pièces dans aucun liquide.

## Buse

Si une buse est bouchée par un corps étranger, la pression peut se développer de façon excessive.

Si la buse n'est que partiellement bouchée, la pression de la pompe sort à coups. Nettoyez la buse immédiatement.

- ◆ Éteignez le nettoyeur à haute pression (2) et coupez l'alimentation en eau.
- ◆ Enfoncez la gâchette (7) sur la poignée principale (1) pour libérer la pression de l'eau.
- ◆ Retirez la buse de la lance (9) en tirant la bague du raccord rapide (10) vers la lance.
- ◆ Débouchez la buse.
- ◆ Faites couler de l'eau dans la buse depuis un robinet ou un tuyau d'arrosage.

## Bouteille de détergent

- ◆ Pour nettoyer la bouteille de détergent, éteignez le nettoyeur à haute pression et coupez l'alimentation en eau.
- ◆ Enfoncez la gâchette sur la poignée du pistolet pour libérer la pression de l'eau.
- ◆ Retirez la bouteille de détergent (11) du nettoyeur à haute pression et dévissez la buse de la bouteille de détergent.
- ◆ Pour nettoyer la bouteille de détergent (11), videz tout le détergent restant dans son contenant d'origine. Utilisez l'eau d'un tuyau d'arrosage pour parfaitement rincer la bouteille. Videz la bouteille et laissez-la sécher.
- ◆ Réinstallez la buse de la bouteille sur la bouteille de détergent.

## Tuyau d'aspiration

- ◆ Pour nettoyer le tuyau d'aspiration (12), éteignez le nettoyeur à haute pression.
- ◆ Enfoncez la gâchette pour libérer la pression de l'eau.
- ◆ Débranchez le tuyau d'aspiration (12) du nettoyeur à haute pression.
- ◆ Pour nettoyer le tuyau d'aspiration, utilisez l'eau d'un tuyau d'arrosage pour le rincer parfaitement avant de le laisser sécher.

## Filter du tuyau d'aspiration (Fig. J)

- ◆ Tournez le filtre (20) en extrémité du tuyau d'aspiration (12) dans le sens inverse des aiguilles d'une montre avant de le retirer. Retirez la crépine à l'intérieur du filtre. Rincez toutes les pièces à l'eau claire avant de réassemblez l'ensemble.

## Filter à raccord rapide (Fig. K)

- ◆ Tirez la bague de l'adaptateur de tuyau avec raccord rapide et retirez le tuyau d'arrosage ou le tuyau d'aspiration du filtre à raccord rapide (8).
- ◆ Retirez le filtre à raccord rapide du nettoyeur à haute pression.

- ◆ Une crépine (22) se trouve à l'intérieur du filtre à raccord rapide (8). Retirez la crépine et rincez-la à l'eau claire avant de la réinstaller.

## Rangement

- ◆ Veillez à toujours complètement vider toute l'eau du tuyau d'aspiration, du nettoyeur à haute pression, des lances, des buses et de la bouteille de détergent.
- ◆ Rangez l'équipement dans un endroit sec, couvert et hors gel. À RANGER À L'INTÉRIEUR UNIQUEMENT.

## Accessoires

**Avertissement !** Les accessoires autres que ceux proposés par STANLEY FATMAX n'ayant pas été testés avec ce produit, leur utilisation avec cet outil peut être dangereuse. Afin de réduire tout risque de blessures, il n'y a que les accessoires STANLEY FATMAX recommandés qui doivent être utilisés avec cet outil.

Des accessoires recommandés pour votre outil sont disponibles en option chez votre revendeur ou votre centre d'assistance local agréé. Si vous avez besoin d'aide pour trouver un accessoire, merci de contacter [www.blackanddecker.co.uk](http://www.blackanddecker.co.uk).

**STZHK2:** Tuyau d'arrivée SFM, KIT adaptateur de tuyau

**STZSBK3:** KIT de nettoyage SFM (brosse, raclette, bouteille de détergent)

**STZSW1:** Lance courte SFM

**STZ5N1:** Buse 5-en-1 SFM

**STZB1:** Seau SFM

**STZQDW1:** Lance avec raccord rapide SFM

## Protection de l'environnement



Tri sélectif. Les produits et batteries marqués de ce symbole ne doivent pas être jetés avec les déchets ménagers.

Les produits et les piles/batteries contiennent des matières qui peuvent être récupérées et recyclées afin de réduire la demande en matières premières. Veillez à recycler les produits électriques et les batteries/piles conformément aux prescriptions locales en vigueur.

## Caractéristiques techniques

		SFMCPC93
Pression	(BAR)	24
Débit d'eau	(l/h)	120
Batterie	CC	18V
Tuyau d'arrivée		6m
Pression de l'arrivée d'eau	(BAR)	1,4 - 6,9
Arrivée d'eau		Robinet d'eau froide0
Ratio de détergent		10% MAX



Chargeur		SFMCB12
Input Voltage	V <sub>ac</sub>	230
Output Voltage	V <sub>dc</sub>	18
Current	A	2

Batterie		SFMCB202	SFMCB204	SFMCB206
Voltage	V <sub>dc</sub>	18	18	18
Capacity	Ah	2.0	4.0	6.0
Type		Li-Ion	Li-Ion	Li-Ion

Niveau de la pression sonore émise L<sub>PA</sub> : 75,0 dB(A)  
Incertitude K = 3 dB(A)

Niveau de la puissance sonore mesurée L<sub>WA</sub> : 86,0 dB(A)  
Incertitude K = 1,6 dB(A) ;

Le soussigné est responsable de la compilation du dossier  
technique il fait cette déclaration au nom de STANLEY  
FATMAX.

*Patrick Diepenbach*

Patrick Diepenbach  
General Manager, Benelux  
Black and Decker,  
Egide Walschaertsstraat 14-18  
2800 Mechelen, Belgique  
30/11/2020

## Garantie

STANLEY FATMAX est sûr de la qualité de ses produits et offre une garantie de 12 mois à ses clients, à partir de la date d'achat. Cette garantie s'ajoute à vos droits légaux auxquels elle ne porte aucunement préjudice. Cette garantie est valable au sein des territoires des états membres de l'Union européenne et au sein de la zone européenne de libre-échange.

Pour prétendre à la garantie, la réclamation doit être en conformité avec les conditions générales de STANLEY FATMAX et vous devez fournir une preuve d'achat au vendeur ou au réparateur agréé. Les conditions générales de la garantie STANLEY FATMAX de 1 an ainsi que l'adresse du réparateur agréé le plus proche sont disponibles sur le site Internet [www.2helpU.com](http://www.2helpU.com) ou en contactant votre agence STANLEY FATMAX locale à l'adresse indiquée dans ce manuel.

Veuillez consulter notre site Internet [www.stanley.eu/3](http://www.stanley.eu/3) pour enregistrer votre nouveau produit STANLEY FATMAX et pour être tenu informé des nouveaux produits et des offres spéciales.

## Use previsto

La Pistola idropulitrice STANLEY FATMAX SFMCPC93 è stata progettata per la pulizia di barche, automobili, balconi, vialetti, griglie, rivestimenti esterni di abitazioni, motociclette, cortili e mobili da giardino. Questi apparecchi sono concepiti esclusivamente per uso domestico.

## Istruzioni di sicurezza

**Avvertenza!** Quando si usano apparecchi alimentati a corrente, con o senza cavo, osservare sempre le normali precauzioni di sicurezza per ridurre il rischio di incendio, scossa elettrica, lesioni personali e danni materiali.



Non dirigere mai il getto dell'acqua verso persone e animali né verso l'apparecchio o componenti elettrici.

**Avvertenza!** Il getto ad alta pressione può essere pericoloso in caso di uso improprio.



Ai sensi delle norme vigenti, l'apparecchio non deve mai essere collegato a una rete dell'acqua potabile senza un disconnettore. Utilizzare un disconnettore idraulico di tipo BA conforme alla norma IEC 61770.

L'acqua che passa attraverso il disconnettore non è più acqua potabile.

- ◆ Leggere attentamente tutto il contenuto di questo manuale prima di usare l'apparecchio.
- ◆ L'uso previsto è descritto in questo manuale.

L'uso di accessori o dotazioni diversi o l'impiego di questo apparecchio per scopi diversi da quelli consigliati in questo manuale di istruzioni possono comportare il rischio di lesioni personali e/o danni materiali.

- ◆ Conservare questo manuale per riferimenti futuri.

## Impiego dell'apparecchio

Prestare sempre attenzione quando si usa l'apparecchio.

- ◆ Il getto d'acqua o di vapore non deve mai essere orientato verso apparecchiature contenenti componenti elettrici, come l'interno di forni.
- ◆ L'apparecchio non deve essere usato se ha subito una caduta, se presenta segni visibili di danneggiamento o se perde.
- ◆ Indossare sempre occhiali di sicurezza a stanghette o a mascherina.
- ◆ Non permettere mai di utilizzare l'apparecchio a bambini, persone con capacità fisiche, sensoriali o mentali ridotte, mancanza di esperienza e di conoscenze o che non abbiano familiarità con queste istruzioni d'uso. Le norme vigenti a livello locale potrebbero imporre un limite di età per l'utilizzatore. Non usare mai l'apparecchio se sono presenti persone (in particolare bambini) o animali domestici nelle vicinanze.
- ◆ Vietare a bambini e ad animali di avvicinarsi all'area di lavoro o di toccare l'apparecchio o il cavo di alimentazione.
- ◆ Prestare la massima attenzione quando si usa l'apparecchio con bambini presenti nelle vicinanze.
- ◆ Questo apparecchio non è concepito per l'uso da parte di bambini o persone inferme senza adeguata supervisione.
- ◆ Questo apparecchio non deve essere usato come giocattolo.
- ◆ Usare l'apparecchio solo di giorno o in presenza di una buona illuminazione artificiale.
- ◆ Usare esclusivamente in un luogo asciutto. Evitare che l'apparecchio si bagni.
- ◆ Evitare di utilizzare l'apparecchio in caso di maltempo, soprattutto quando vi è il rischio di fulmini.
- ◆ Non immergere l'apparecchio in acqua.
- ◆ Non aprire l'alloggiamento del corpo macchina, dato che al suo interno non sono presenti componenti riparabili da parte dell'utilizzatore.
- ◆ Evitare di impiegare questo apparecchio in ambienti esposti al rischio di esplosione, ad esempio in presenza di liquidi, gas o polveri infiammabili.
- ◆ Questo apparecchio deve essere utilizzato solo con l'alimentatore fornito in dotazione.

## Rischi residui.

L'utilizzo dell'apparecchio può comportare rischi residui non necessariamente riportati nelle avvertenze di sicurezza riportate in questo manuale.

Tali rischi possono sorgere a seguito di un uso prolungato o improprio, ecc.

Malgrado l'applicazione delle principali norme di sicurezza e l'implementazione di dispositivi di protezione adeguati, certi rischi residui non possono essere evitati.

Tali rischi includono:

- ◆ lesioni causate o subite a seguito del contatto con parti rotanti/in movimento;
- ◆ lesioni personali subite durante la sostituzione di parti, lame o accessori;
- ◆ lesioni personali causate dall'impiego prolungato di un apparecchio (quando si utilizza qualsiasi apparecchio per lunghi periodi, accertarsi di fare regolarmente delle pause);
- ◆ menomazioni uditive;
- ◆ rischi per la salute causati dalla respirazione delle polveri sviluppate durante l'utilizzo dell'apparecchio (ad esempio quando si lavora con il legno, in modo particolare quello di quercia o faggio o con l'MDF).

## Dopo l'uso

- ◆ Quando non viene usato, l'apparecchio deve essere conservato in un luogo asciutto e ben ventilato, fuori dalla portata dei bambini.
- ◆ L'apparecchio non deve essere riposto in un luogo accessibile ai bambini.

- ◆ Se viene conservato o trasportato a bordo di un veicolo, l'apparecchio deve essere riposto nel bagagliaio o immobilizzato per evitare che si sposti in caso di cambiamento repentino della velocità o della direzione di marcia.

## Ispezione e riparazioni

- ◆ Prima dell'uso, verificare che l'apparecchio non abbia parti danneggiate o difettose. Controllare inoltre che non presenti parti rotte o altre condizioni che potrebbero incidere sul suo funzionamento.
- ◆ Non usare l'apparecchio se alcune parti sono danneggiate o difettose.
- ◆ Fare riparare o sostituire le parti danneggiate o difettose da un tecnico autorizzato.
- ◆ Non tentare di smontare o sostituire alcuna parte, ad eccezione di quelle specificate in questo manuale.

## Ulteriori precauzioni di sicurezza per le pistole idropultrici

L'uso previsto è descritto in questo manuale. L'uso di questo apparecchio con accessori o dotazioni o per scopi diversi da quelli raccomandati in questo manuale, potrebbe comportare lesioni personali e/o danni materiali.

- ◆ Per proteggere piedi e gambe durante l'impiego dell'apparecchio, indossare sempre calzature da lavoro robuste e pantaloni lunghi.

- ◆ Spegnere sempre l'apparecchio, attendere che la ventola smetta di girare e rimuovere la batteria nei seguenti casi:
- ◆ quando si lascia l'apparecchio incustodito;
  - ◆ quando si deve eliminare un'ostruzione;
  - ◆ quando si eseguono controlli, regolazioni e interventi di pulitura o manutenzione sul prodotto;
  - ◆ se l'apparecchio comincia a vibrare in modo anomalo.
- ◆ Non collocare l'ingresso o l'uscita della pistola idropulitrice vicino agli occhi o alle orecchie durante l'uso. Non dirigere mai il getto verso altre persone.
- ◆ Non usare l'apparecchio sotto la pioggia e non lasciarlo all'aperto.
- ◆ Non attraversare vialetti o strade ghiaiate con l'apparecchio è acceso. Procedere camminando, senza correre.
- ◆ Non appoggiare l'apparecchio acceso sulla ghiaia.
- ◆ Mantenere un buon equilibrio, in modo particolare sui pendii. Mantenersi sempre saldi sui piedi e ben bilanciati, evitando di sporgersi.
- ◆ Non inserire oggetti nelle aperture dell'apparecchio. Non usarlo mai se le aperture sono ostruite: mantenerlo libero da capelli, lanugine, polvere e da tutto ciò che potrebbe limitare il passaggio dell'aria.

**Avvertenza!** Usare sempre l'apparecchio come descritto in questo manuale.

Questo prodotto è stato progettato per l'uso in verticale e il suo eventuale utilizzo in modo diverso potrebbe dare luogo a lesioni personali. Non azionare mai l'apparecchio quando è appoggiato su un fianco o capovolto.

- ◆ L'operatore è responsabile di eventuali rischi o incidenti che coinvolgano terzi od oggetti di loro proprietà.
- ◆ Non usare solventi o detergenti per pulire il prodotto. Usare un raschietto non appuntito per eliminare erba e sporcizia.
- ◆ Controllare di frequente il sacco di raccolta per vedere che non sia usurato o rovinato.
- ◆ Le ventole di ricambio sono reperibili presso un rivenditore autorizzato STANLEY FATMAX. Usare solo ricambi e accessori raccomandati da STANLEY FATMAX.
- ◆ Mantenere sempre ben saldi dadi, bulloni e viti per garantire che l'apparecchio funzioni in modo sicuro.

## **Sicurezza altrui**

- ◆ Questo prodotto non è destinato per l'uso da parte di persone (compresi i bambini) con capacità fisiche, sensoriali o mentali ridotte, o prive di esperienza e conoscenza, a meno che siano sorvegliate o abbiano ottenuto istruzioni riguardo all'uso dell'apparecchio da parte di una persona responsabile della loro sicurezza.

- ◆ Sorvegliare i bambini per assicurarsi che non giochino con l'apparecchio.

## Istruzioni di sicurezza aggiuntive per batterie e caricabatterie

### Batterie

- ◆ Non tentare mai di aprire le batterie per alcun motivo.
- ◆ Non lasciare che la batteria si bagni.
- ◆ Non conservare la batteria in luoghi dove la temperatura potrebbe superare i 40 °C.
- ◆ Caricare la batteria solo a temperature ambientali comprese tra 10 e 40 °C.
- ◆ Caricare la batteria esclusivamente con il caricabatterie fornito in dotazione con l'apparecchio.
- ◆ Per lo smaltimento delle batterie, seguire le istruzioni fornite alla sezione "Tutela ambientale".

### Caricabatterie

- ◆ Usare il caricabatterie STANLEY FATMAX solo per caricare la batteria dell'apparecchio con il quale è stato fornito. Tipi diversi di batterie potrebbero scoppiare provocando lesioni personali e danni materiali.
- ◆ Non tentare mai di caricare batterie non ricaricabili.
- ◆ Fare sostituire immediatamente i cavi di alimentazione difettosi.
- ◆ Non lasciare che il caricabatterie si bagni.
- ◆ Non aprire il caricabatterie.
- ◆ Non collegare il caricabatterie a sonde.



Il caricabatterie è destinato esclusivamente all'uso in ambienti interni.



Leggere questo manuale di istruzioni prima dell'uso.

### Sicurezza elettrica



Il doppio isolamento di cui è provvisto il caricabatterie rende superfluo il filo di terra. Verificare sempre che la tensione di rete corrisponda a quella indicata sulla targhetta dei valori nominali. Non tentare mai di sostituire il caricabatterie con una spina elettrica tradizionale.

- ◆ Per prevenire pericoli, i cavi di alimentazione danneggiati devono essere sostituiti dal produttore o da un centro di assistenza STANLEY FATMAX autorizzato.

### Etichette sull'apparecchio

Sull'apparecchio sono presenti i seguenti simboli, insieme al codice data:



Prima dell'uso leggere il manuale.



Indossare occhiali di sicurezza, con stanghette o a mascherina, quando si usa l'apparecchio.



Indossare protezioni per l'udito idonee quando si usa l'apparecchio.



Rimuovere sempre la batteria dall'apparecchio prima di sottoporlo a qualsiasi intervento di pulizia o manutenzione.



Non esporre l'apparecchio alla pioggia o a un'umidità intensa.



Potenza sonora garantita ai sensi della Direttiva 2000/14/CE.

## Caratteristiche

Questo apparecchio presenta alcune o tutte le seguenti caratteristiche.

1. Impugnatura principale
2. Corpo della pistola idropulitrice
3. Attacco per alimentazione dell'acqua
4. Blocco del grilletto di azionamento
5. Pulsante di rilascio del pacco batteria
6. Pacco batteria
7. Grilletto di azionamento
8. Filtro ad attacco rapido (incluso)
9. Lancia ad attacco rapido (STZQDW1, in dotazione)
10. Testina 5 in 1 (STZ5N1, in dotazione)
11. Flacone del detergente (accessorio STZSBSK3: KIT per pulizia)
12. Tubo di aspirazione (STZIHK2, in dotazione)
13. Adattatore per tubo flessibile ad attacco rapido (STZIHK2, in dotazione)
14. Sfera galleggiante (STZIHK2, in dotazione)
15. Adattatore per tubo per irrigazione da giardino (in dotazione)
16. Lancia corta (accessorio STZSW1)
17. Spazzola (accessorio STZSBSK3: KIT per pulizia)
18. Lama lavavetri (accessorio STZSBSK3: KIT per pulizia)
19. Secchio (accessorio STZB1)

## Caricare la batteria

I caricabatterie STANLEY FATMAX sono progettati per caricare le batterie STANLEY FATMAX.

- ◆ Collegare il caricabatterie a una presa di corrente adatta.
- ◆ Inserire a fondo in sede il pacco batteria. La spia di carica verde lampeggia ripetutamente durante il processo di carica.
- ◆ La carica è completa quando la spia di carica verde rimane accesa fissa. Il pacco batteria può essere lasciato nel caricabatterie o rimosso.
- ◆ Ricaricare le batterie scariche al più presto dopo l'uso, altrimenti la loro durata potrebbe ridursi notevolmente. Per la massima durata delle batterie, non lasciarle scaricare completamente. Si consiglia di ricaricare le batterie dopo ciascun impiego.

## Diagnostica del caricabatterie

Questo caricabatterie è progettato per rilevare alcuni problemi che possono insorgere con i pacchi batteria o la rete di alimentazione. Gli eventuali problemi sono indicati da un LED che lampeggia secondo schemi differenti.

## Batteria guasta

Il caricabatterie in grado di rilevare una batteria scarica o danneggiata. Il LED lampeggia secondo lo schema indicato sull'etichetta. Se compare questo schema di batteria guasta, non continuare a caricare la batteria. Portarla presso un centro di assistenza o un sito di raccolta per il riciclaggio.

## Ritardo per pacco batteria caldo/freddo

Quando il caricabatterie rileva un pacco batteria troppo caldo o troppo freddo avvia automaticamente la funzione di ritardo per pacco batteria caldo/freddo, sospendendo la carica finché il pacco batteria non ha raggiunto la temperatura normale. In seguito, il caricabatterie passa automaticamente alla modalità Carica pacco batteria. Questa funzione garantisce la massima durata del pacco batteria. Il LED lampeggia secondo lo schema indicato sull'etichetta.

## Pacco batteria lasciato nel caricabatterie

Il caricabatterie e il pacco batteria possono essere lasciati collegati alla rete elettrica con il LED sempre acceso. Il caricabatterie manterrà il pacco batteria come nuovo e completamente carico.

Questo caricabatterie è dotato di una modalità di messa a punto, che eguaglia o bilancia le singole celle del pacco batteria, in modo che possa funzionare alla capacità di picco.

I pacchi batteria devono essere messi a punto una volta a settimana oppure ogni volta che la batteria non fornisce più la stessa quantità di corrente. Per utilizzare la modalità di messa a punto automatica inserire il pacco batteria nel caricabatterie e lasciarvelo per almeno 8 ore.

## Note importanti riguardanti la carica

- ◆ È possibile ottenere la massima durata e le migliori prestazioni se il pacco batteria è carico e la temperatura dell'aria è di 18 ° - 24 °C. NON caricare il pacco batteria se la temperatura dell'aria è inferiore ai +4,5 °C o superiore a +40 °C. Questa precauzione è importante per prevenire gravi danni al pacco batteria.
- ◆ Il caricabatterie e il pacco batteria possono diventare caldi al tatto durante la carica. È un fatto normale che non indica la presenza di problemi. Per facilitare il raffreddamento del pacco batteria dopo l'uso, evitare di posizionare il caricabatterie o il pacco batteria in un ambiente caldo, come ad esempio all'interno di un capannone di metallo o di un rimorchio non isolato.
- ◆ Se il pacco batteria non si carica correttamente:
  - ◆ controllare l'effettivo funzionamento della presa collegandovi una lampada o un apparecchio simile;
  - ◆ verificare se la presa è collegata a un interruttore dell'impianto di illuminazione e si spegne quando si spegne la luce;

- ◆ spostare il caricabatterie e il pacco batteria in un luogo dove la temperatura dell'aria circostante è di circa 18 ° - 24 °C.
- ◆ Se i problemi di carica persistono, portare l'apparecchio, il pacco batteria e il caricabatterie presso il centro di assistenza di zona.
- ◆ Il pacco batteria deve essere sostituito se non riesce a produrre energia a sufficienza per svolgere lavori che prima venivano eseguiti con facilità. NON CONTINUARE a usarlo in queste condizioni. Seguire la procedura di carica. È anche possibile caricare un pacco batteria parzialmente usato ogni volta che si desidera, senza alcun effetto negativo sul pacco batteria stesso.
- ◆ Materiali estranei di natura conduttiva come, a titolo esemplificativo ma non esaustivo, polvere di smerigliatura, schegge metalliche, lana di acciaio, lamine di alluminio o qualsiasi accumulo di particelle metalliche, dovrebbero essere eliminati dalle cavità del caricabatterie. Staccare il caricabatterie dalla presa di corrente prima di pulirlo.
- ◆ Non immergere nessuna parte del caricabatterie in acqua o altri liquidi.

### Installazione del pacco batteria (Fig. G)

**Nota:** per ottenere risultati ottimali, assicurarsi che il pacco batteria ( 6 ) sia completamente carico prima dell'uso.

- ◆ Sollevare il coperchio dello sportello batteria ( 6b ) fino a scoprire lo sportello batteria ( 6c ).
- ◆ Allineare il pacco batteria con le guide presenti all'interno dello sportello batteria dell'apparecchio (6c) e farlo scorrere fino a quando sarà saldamente inserito nell'apparecchio, controllando che non possa sganciarsi.
- ◆ Chiudere il coperchio dello sportello batteria ( 6b ). Assicurarsi che il coperchio sia completamente bloccato in posizione prima di avviare l'apparecchio.

### Rimozione del pacco batteria (Fig. G)

- ◆ Sollevare il coperchio dello sportello batteria ( 6b ) fino a scoprire il pacco batteria (6).
- ◆ Premere il pulsante di rilascio batteria ( 6a ) sul pacco batteria ( 6 ) ed estrarre il pacco batteria dall'apparecchio.
- ◆ Inserire il pacco batteria nel caricabatterie, come descritto nella sezione riguardante il caricabatterie di questo manuale.

### Assemblaggio

**Avvertenza!** Per ridurre il rischio di gravi lesioni personali, spegnere l'apparecchio e rimuovere il pacco batteria prima di eseguire qualsiasi regolazione o rimozione/installazione di dotazioni o accessori. Un avvio accidentale potrebbe provocare lesioni a persone.

### Montaggio del filtro ad attacco rapido (Fig. A)

La pistola idropulitrice deve essere usata con adattatori ad attacco rapido. Il tubo di aspirazione e il tubo per irrigazione da giardino possono essere collegati all'apparecchio solo se il filtro ad attacco rapido ( 8 ) è installato.

- ◆ Per collegare il filtro ad attacco rapido ( 8 ) alla pistola idropulitrice ( 2 ), collocare l'estremità del filtro ad attacco rapido sull'attacco di alimentazione dell'acqua ( 3 ). Stringere il filtro ad attacco rapido a mano.

**Nota:** durante l'installazione del tubo di aspirazione, evitare di avvitare il raccordo con i filetti non allineati. Ciò provocherebbe la fuoriuscita di acqua.

### Montaggio delle lance, del flacone del detergente e degli altri accessori (Fig. B)

La lancia, il flacone del detergente e gli altri accessori (venduti separatamente) si collegano alla pistola idropulitrice. Per collegare le lance ( 9 ) e ( 16 ) e il flacone del detergente ( 11 ) al corpo della pistola idropulitrice ( 2 ):

- ◆ Inserire l'estremità dell'accessorio nell'apertura sul corpo della pistola idropulitrice ( 2 ). Spingere verso l'interno e ruotare l'accessorio in senso orario fino a quando è bloccato in posizione.
- ◆ Per rimuovere l'accessorio spingerlo verso l'interno e ruotarlo in senso antiorario, quindi estrarlo dal corpo della pistola idropulitrice (2).

**Nota:** Sono disponibili altri accessori da usare con questa pistola idropulitrice. Vedere la sezione "Accessori" di questo manuale.

### Collegamento del tubo per irrigazione da giardino o del tubo di aspirazione (Fig. C e D)

La scelta se collegare il tubo per irrigazione da giardino o il tubo di aspirazione dipenderà dal lavoro da eseguire.

### Collegamento del tubo per irrigazione da giardino (Fig. C)

La pistola idropulitrice deve essere usata con adattatori ad attacco rapido.

- ◆ Per collegare l'adattatore per tubo flessibile ad attacco rapido ( 13 ) a un tubo per irrigazione da giardino, avvitare l'adattatore all'estremità del tubo per irrigazione. Stringere il tubo per irrigazione da giardino a mano.

**Nota:** durante l'installazione del tubo di aspirazione evitare di avvitare il raccordo con i filetti non allineati. Ciò provocherebbe la fuoriuscita di acqua.

**Nota:** prima di collegare il tubo per irrigazione da giardino alla pistola idropulitrice, fare scorrere l'acqua attraverso il tubo per trenta secondi in modo da eliminare eventuali detriti dalla sua imboccatura.

- ◆ Per collegare l'adattatore per tubo per irrigazione da giardino ( 16 ) al filtro ad attacco rapido ( 3 ) sul corpo della pistola idropulitrice ( 2 ), inserire saldamente l'adattatore per tubo flessibile ad attacco rapido sul filtro ad attacco rapido.

**Nota:** prima dell'uso, tirare delicatamente il tubo per irrigazione da giardino in modo da assicurarsi che il collegamento sia ben saldo. Controllare che l'adattatore per tubi flessibile ad attacco rapido sia a filo con il filtro ad attacco rapido, come mostrato nella Figura D.

- ◆ Dopo l'uso, scollegare sempre il tubo per irrigazione da giardino. Per scollegarlo, tirare indietro il collare dell'adattatore per tubo flessibile ad attacco rapido e staccarlo dal filtro ad attacco rapido.

## Collegamento del tubo di aspirazione (Figg. C ed E)

Utilizzare il tubo di aspirazione per prelevare l'acqua da un secchio o da un'altra fonte di acqua dolce.

**Nota:** non utilizzare questo tubo per aspirare sapone, prodotti chimici, liquidi sporchi o corrosivi, come detersivi per vetri, concimi, fertilizzanti o candeggina. Non usare acqua salata.

- ◆ Per collegare l'adattatore per tubo flessibile ad attacco rapido ( 13 ) all'estremità del tubo di aspirazione al filtro ad attacco rapido ( 3 ) sul corpo della pistola idropulitrice ( 2 ), inserire saldamente l'adattatore per tubo flessibile ad attacco rapido sul filtro ad attacco rapido.

**Nota:** prima dell'uso, tirare delicatamente il tubo per irrigazione da giardino in modo da assicurarsi che il collegamento sia ben saldo. Controllare che l'adattatore per tubo flessibile ad attacco rapido all'estremità del tubo di aspirazione sia a filo con il filtro ad attacco rapido, come illustrato nel riquadro all'interno della Figura E.

- ◆ Posizionare l'altra estremità del tubo di aspirazione con il filtro in un recipiente o in un'altra fonte di acqua dolce. Regolare la sfera galleggiante sul tubo di aspirazione in modo che il filtro sia immerso nell'acqua.
- ◆ Scegliere la testina corretta da utilizzare. Vedere il paragrafo "Come utilizzare la testina multi-getto".
- ◆ Al termine del lavoro, mettere il tubo di aspirazione in un recipiente di acqua pulita e farvi passare l'acqua pulita attraverso la macchina per sciacquare.

## Montaggio della testina 5 in 1 sulla lancia

**Avvertenza!** Rischio di lesioni da iniezione di liquido. Non dirigere il flusso di scarico verso persone, cute non protetta, occhi o animali. Potrebbero verificarsi gravi lesioni personali.

**Avvertenza!** Eventuali oggetti scagliati in aria potrebbero causare il rischio di gravi lesioni personali. NON tentare di cambiare testina mentre la pistola idropulitrice è in funzione. Spegnerla la pistola idropulitrice prima di cambiare la testina.

- ◆ Per collegare la testina (10) alla lancia (9), tirare il collare ad attacco rapido nella direzione della lancia e inserire la testina.
- ◆ Rilasciare il collare ad attacco rapido per bloccare la testina in posizione.
- ◆ Per accertarsi che la testina sia bloccata in posizione, una volta bloccato in posizione il collare ad attacco rapido, tirare con decisione la testina.

## Come usare la lancia (Fig. F)

in dotazione con questa pistola idropulitrice viene fornita una testina 5 in 1 a getto variabile (10).

- ◆ Per regolare la pressione dell'acqua spruzzata dalla testina 5 in 1 a getto variabile (10), ruotare la testina in senso orario o antiorario per ottenere la portata desiderata.
  - ◆ Un getto sottile è indicato per la pulizia di griglie, vialetti, marciapiedi e opere murarie.
  - ◆ Un getto ampio è adatto per la pulizia di pavimenti in legno esterni, vinile, superfici verniciate, automobili, roulotte e camper e stuccature.

**Nota:** il getto ad alta pressione generato dalla pistola idropulitrice è in grado di causare danni a superfici come legno, vetro, vernice di automobili, strisce decorative esterne e profili di rifinitura di veicoli, e oggetti delicati come fiori e cespugli. Prima di spruzzare, controllare l'oggetto da pulire per assicurarsi che sia abbastanza solido da resistere ai possibili danneggiamenti causati dalla forza del getto.

## Corretto posizionamento delle mani (Fig. H)

**Avvertenza!** Per ridurre il rischio di lesioni personali gravi, tenere le mani SEMPRE nella posizione corretta, illustrata in figura.

**Avvertenza!** Allo scopo di ridurre il rischio di lesioni personali gravi, mantenere SEMPRE l'apparecchio con presa sicura per prevenire reazioni improvvise.

La posizione corretta delle mani prevede una mano sull'impugnatura principale (1) e l'altra mano sul corpo della pistola idropulitrice (2), come illustrato nella figura.

## Pulizia tramite getto ad alta pressione

### Preparazione della superficie per la pulizia

- ◆ Rimuovere dall'area eventuali oggetti che potrebbero costituire un pericolo.
- ◆ Assicurarsi che tutte le porte e le finestre siano chiuse ermeticamente. Proteggere tutte le piante e gli alberi presenti nell'area adiacente con un telo antigoccia assicurandosi che non siano danneggiati da un'eccessiva nebulizzazione.
- ◆ Pre-risciacquare la superficie da pulire con acqua pulita.
- ◆ Utilizzare esclusivamente detersivi formulati per le idropultrici.



- ◆ Prima dell'uso, fare sempre una prova applicando il detergente in un'area poco visibile.

## Preparazione della pistola idropulitrice per l'uso

**Avvertenza!** Rischio di lacerazione e lesioni da iniezione di liquido. Quando si utilizza l'impostazione ad alta pressione, NON permettere che il getto ad alta pressione venga a contatto con la cute non protetta, con gli occhi o con animali. Potrebbero verificarsi gravi lesioni personali.

**Avvertenza!** Prima dell'uso:

- ◆ Collegare la pistola idropulitrice alla fonte di alimentazione idrica. Per le indicazioni su come collegare la pistola idropulitrice alla fonte di alimentazione idrica, consultare il paragrafo Collegamento del tubo per irrigazione da giardino e del tubo di aspirazione nella sezione dedicata ad assemblaggio e regolazioni.
- ◆ Montare la lancia, il flacone del detergente o altro accessorio.  
Per le istruzioni su come montare la lancia, consultare il paragrafo Montaggio della lancia, del flacone del detergente o di un altro accessorio nella sezione dedicata ad assemblaggio e regolazioni.

## Preparazione della pistola idropulitrice

**Importante:** disinserire il blocco del grilletto di azionamento ( 4 ), premere il grilletto di azionamento ( 7 ) e tenerlo premuto per 30 secondi per spurgare l'impianto dell'aria. Se è ancora presente aria nel getto d'acqua, continuare a far scorrere l'acqua attraverso l'impugnatura della pistola.

- ◆ Disinserire il blocco del grilletto di azionamento ( 4 ).
- ◆ Premere il grilletto di azionamento ( 7 ).

## Pulizia di una superficie

**Avvertenza!** Rischio di lesioni personali provocate dal getto. Inserire il blocco di sicurezza quando la pistola idropulitrice non è in uso. In caso contrario, potrebbero essere attivati spruzzi accidentali.

- ◆ Per avviare la pistola idropulitrice, premere il pulsante di sicurezza ( 4 ) e quindi premere il grilletto ( 7 ).

**Nota:** l'angolo di inclinazione più indicato per spruzzare l'acqua contro una superficie da pulire è 45°. La testina tende a far sì che le particelle di sporco si incastrino nella superficie. Quando si lavora su superfici verticali, è meglio applicare il detergente procedendo dal basso verso l'alto, in modo da evitare che il detergente scivoli verso il basso e provochi la formazione di striature.

- ◆ Per arrestare la pistola idropulitrice, rilasciare il grilletto di azionamento.

**Nota:** un'eccessiva pressione della pompa può essere il risultato di una testina o un raccordo di ottone ostruiti.

Prima di tentare di rimuovere un'ostruzione da una testina o da un raccordo di ottone, spegnere sempre la pistola idropulitrice e togliere la batteria.

**Avvertenza!** Non utilizzare mai acqua contenente sostanze chimiche. Prelevarla da fonti di acqua pulita.

## Spegnimento

- ◆ Per arrestare la pistola idropulitrice, rilasciare il grilletto di azionamento e rimuovere la batteria.
- ◆ Chiudere l'acqua in corrispondenza del rubinetto.
- ◆ Scaricare la pressione residua premendo il grilletto di azionamento ( 7 ) fino a quando non uscirà più acqua dalla lancia ( 9 ).
- ◆ Scollegare il tubo per irrigazione da giardino dall'attacco per l'ingresso dell'acqua ( 3 ) e scolare il tubo.
- ◆ Staccare il tubo dalla pistola idropulitrice tirando indietro il collare dell'adattatore per tubo flessibile ad attacco rapido e staccandolo dal filtro ad attacco rapido.

## Manutenzione

**Avvertenza!** Per ridurre il rischio di gravi lesioni personali, spegnere l'apparecchio e rimuovere il pacco batteria prima di eseguire qualsiasi regolazione o rimozione/installazione di dotazioni o accessori. Un avvio accidentale potrebbe provocare lesioni a persone.

## Pulizia

**Avvertenza!** Soffiare via lo sporco e la polvere da tutte le prese d'aria con aria pulita e asciutta almeno una volta alla settimana.

Per ridurre al minimo il rischio di lesioni agli occhi, indossare un dispositivo di protezione per gli occhi adeguato durante tale procedura.

**Avvertenza!** Non utilizzare solventi o altri prodotti chimici aggressivi per pulire le parti non metalliche dell'apparecchio. Questi prodotti chimici possono indebolire i materiali plastici utilizzati per questi componenti. Usare un panno inumidito solamente con acqua e sapone delicato. Non far penetrare del liquido all'interno dell'utensile, e non immergere alcuno dei suoi componenti direttamente in un liquido.

## Testina

Se la testina dovesse intasarsi per via di corpi estranei, come la sporcizia, si potrebbe sviluppare una pressione eccessiva. Se la testina dovesse ostruirsi o restringersi parzialmente, la pressione della pompa inizierà a pulsare. Pulire immediatamente la testina.

- ◆ Spegnere la pistola idropulitrice ( 2 ) e chiudere la fonte di alimentazione idrica.
- ◆ Premere il grilletto di azionamento ( 7 ) sull'impugnatura principale ( 1 ) per scaricare la pressione dell'acqua.
- ◆ Staccare la testina dalla lancia ( 9 ) tirando il collare ad attacco rapido ( 10 ) nella direzione della lancia.

- ◆ Rimuovere gli eventuali detriti presenti dalla testina.
- ◆ Fare scorrere dell'acqua attraverso la testina prelevandola da un rubinetto o dal tubo per irrigazione da giardino.

## Flacone del detergente

- ◆ Per pulire il flacone del detergente, spegnere la pistola idropulitrice e chiudere la fonte di alimentazione idrica.
- ◆ Premere il grilletto di azionamento sull'impugnatura della pistola per scaricare la pressione dell'acqua.
- ◆ Staccare il flacone del detergente ( 11 ) dall'idropulitrice e svitare la testina del flacone del detergente.
- ◆ Per pulire il flacone del detergente ( 11 ) e svuotare il detergente eventualmente rimasto nel rispettivo contenitore. Risciacquare a fondo il flacone prelevando l'acqua da un tubo per irrigazione da giardino. Svuotare il flacone e lasciarlo asciugare.
- ◆ Reinstallare la testina del flacone del detergente sul flacone stesso.

## Tubo di aspirazione

- ◆ Per pulire il tubo di aspirazione ( 12 ), spegnere la pistola idropulitrice.
- ◆ Premere il grilletto di azionamento per scaricare la pressione dell'acqua.
- ◆ Staccare il tubo di aspirazione ( 12 ) dalla pistola idropulitrice.
- ◆ Prelevare l'acqua per pulire il tubo di aspirazione da un tubo per irrigazione da giardino, risciacquare il tubo di aspirazione a fondo e lasciarlo asciugare.

## Filtro del tubo di aspirazione (Fig. J)

- ◆ Ruotare il filtro ( 20 ) posto all'estremità del tubo di aspirazione ( 12 ) in senso antiorario e rimuoverlo. Rimuovere l'elemento filtrante dall'interno del filtro. Risciacquare tutte le parti del filtro con acqua pulita prima di rimontarlo.

## Filtro ad attacco rapido (Fig. K)

- ◆ Tirare indietro il collare dell'adattatore per tubo flessibile ad attacco rapido e staccarlo dal filtro ad attacco rapido ( 8 ).
- ◆ Rimuovere il filtro ad attacco rapido dalla pistola idropulitrice.
- ◆ All'interno del filtro ad attacco rapido ( 8 ) è presente un elemento filtrante a reticella ( 22 ). Rimuovere l'elemento filtrante a reticella, risciacquarlo con acqua pulita e rimontarlo.

## Conservazione

- ◆ Svuotare sempre completamente l'acqua dal tubo di aspirazione, dalla pistola idropulitrice, dalla lancia, dalle testine e dal flacone del detergente.
- ◆ Conservare in un luogo asciutto e coperto a una temperatura superiore allo zero. **CONSERVARE AL CHIUSO.**

## Accessori

**Avvertenza!** Su questo prodotto sono stati collaudati soltanto gli accessori offerti da STANLEY FATMAX, quindi l'utilizzo di accessori diversi potrebbe essere rischioso. Per ridurre il rischio di lesioni, su questo prodotto vanno utilizzati solo gli accessori raccomandati STANLEY FATMAX.

Gli accessori raccomandati per l'uso con l'apparato sono disponibili a un costo aggiuntivo presso il vostro rivenditore locale o centro di assistenza autorizzato. Se si ha bisogno di aiuto per trovare un accessorio, visitare il nostro sito web [www.blackanddecker.co.uk](http://www.blackanddecker.co.uk).

**STZIHK2:** KIT Tubo di aspirazione e adattatore per tubo flessibile SFM

**STZSBSK3:** KIT per pulizia (spazzola, lama lavavetri, flacone del detergente) SFM

**STZSW1:** Lancia corta SFM

**STZ5N1:** Testina 5 in 1 SFM

**STZB1:** Secchio SFM

**STZQDW:** Lancia a sgancio rapido SFM

## Tutela ambientale



Raccolta differenziata. I prodotti e le batterie contrassegnati con questo simbolo devono essere smaltiti con i rifiuti domestici normali.

Prodotti e batterie contengono materiali che possono essere recuperati o riciclati, riducendo la domanda di materie prime. Riciclare i prodotti elettrici e le batterie secondo le disposizioni locali.

## Dati tecnici

SFMPC93		
Pressione	(BAR)	24
Portata d'acqua	(l/h)	120
Batteria	CC	18V
Tubo di alimentazione acqua		6 m
Pressione di aspirazione acqua	(BAR)	1,4 - 6,9
Alimentazione acqua		Rubinetto acqua fredda0
Percentuale di consumo detergente		10% MAX

SFMCB12		
Tensione di ingresso	$V_{cc}$	230
Tensione di uscita	$V_{cc}$	18
Current	A	2

Batteria		SFMCB202	SFMCB204	SFMCB206
Voltage	$V_{cc}$	18	18	18
Capacity	Ah	2.0	4.0	6.0
Type		Li-Ion	Li-Ion	Li-Ion

Livello di pressione sonora di emissione  $L_{PA}$ : 75,0 dB(A)  
 Incertezza (K) = 3 dB(A)  
 Livello di potenza sonora misurata  $L_{WA}$ : 86,0 dB(A)  
 Incertezza (K) = 1,6 dB(A)

Il sottoscritto è responsabile della redazione del presente documento tecnico e rilascia questa dichiarazione per conto di STANLEY FATMAX.

*Patrick Diepenbach*

Patrick Diepenbach  
 General Manager, Benelux  
 Black and Decker,  
 Egide Walschaertsstraat 14-18  
 2800 Mechelen, Belgio  
 30/11/2020

## Garanzia

STANLEY FATMAX è certa della qualità dei propri prodotti e offre ai consumatori una garanzia di 12 mesi dalla data di acquisto. Il presente certificato di garanzia è complementare ai diritti legali e non li pregiudica in alcun modo. La garanzia è valida nei territori degli Stati membri dell'Unione Europea o dell'EFTA (Associazione europea di libero scambio).

Per attivare la garanzia, il reclamo deve essere effettuato in accordo con i Termini e Condizioni di STANLEY FATMAX e sarà necessario presentare la prova di acquisto al venditore o al tecnico riparatore autorizzato. I Termini e condizioni della garanzia STANLEY FATMAX di 1 anno e la sede del tecnico riparatore autorizzato più vicino sono consultabili su Internet all'indirizzo [www.2helpU.com](http://www.2helpU.com), o contattando l'ufficio STANLEY FATMAX di zona all'indirizzo indicato in questo manuale.

Visitare il nostro sito web [www.stanley.eu/3](http://www.stanley.eu/3) per registrare il prodotto Stanley FATMAX appena acquistato e ricevere gli aggiornamenti sui nuovi prodotti e le offerte speciali.

## Bedoeld gebruik

Deze STANLEY FATMAX Hogedrukreiniger SFMCPC93 is ontworpen voor het reinigen van boten, auto's, terrassen, opritten, roosters, muren van huizen, motorfietsen, patio's en buitenmeubilair. Deze apparaten zijn uitsluitend bestemd voor gebruik door consumenten.

## Veiligheidsinstructies

**Waarschuwing!** Bij apparaten voor gebruik op de netspanning/snoerloze apparaten moeten bepaalde elementaire voorzorgsmaatregelen, waaronder de navolgende, in acht worden genomen, zodat het gevaar van brand, elektrische schokken, persoonlijk letsel en materiële schade tot een minimum worden beperkt.



Richt nooit de waterstraal mensen, dieren, de hogedrukreiniger of elektrische componenten.

**Waarschuwing!** Waterstralen onder hoge druk kunnen gevaarlijk zijn als zij verkeerd worden gebruikt.



Van toepassing zijnde regelgeving bepaalt dat de machine nooit mag worden gebruikt op een waterleiding netwerk zonder een systeemscheider (terugslagklep). Gebruik een scheider volgens IEC 61770 Type BA.

Water dat door een systeemscheider stroomt is geen drinkwater.

- ◆ Lees deze handleiding aandachtig geheel door voordat u het apparaat in gebruik neemt.

- ◆ In deze handleiding wordt het bedoeld gebruik beschreven. Het gebruik van accessoires of hulpstukken of de uitvoering van handelingen anders dan in deze gebruikershandleiding worden aanbevolen, kan een risico van persoonlijk letsel geven.
- ◆ Bewaar deze handleiding zorgvuldig zodat u deze nog eens kunt raadplegen.

## **Het apparaat gebruiken**

Ga bij gebruik van het apparaat altijd voorzichtig te werk.

- ◆ De vloeistof of stoom mag niet worden gericht op apparatuur die elektrische componenten bevat, zoals de binnenzijde van ovens.
- ◆ Gebruik het apparaat niet als het is gevallen, als er zichtbare tekenen van beschadiging zijn of als het.
- ◆ Gebruik altijd een veiligheidsbril of oogbescherming.
- ◆ Laat nooit kinderen, personen met verminderde fysieke, zintuiglijke of mentale vermogens of met een gebrek aan ervaring en kennis of mensen die niet bekend zijn met deze instructies, de machine gebruiken, ter plaatse geldende bepalingen zullen mogelijk een minimale leeftijd van de gebruiker voorschrijven. Werk nooit met het apparaat terwijl er mensen, en vooral niet terwijl er kinderen of huisdieren dicht bij u in de buurt zijn.
- ◆ Laat kinderen of dieren niet in de buurt van de werkomgeving komen, en evenmin het apparaat of netsnoer aanraken.
- ◆ Let extra goed op wanneer u het apparaat in de buurt van kinderen gebruikt.
- ◆ Dit apparaat mag niet zonder toezicht door jonge of lichamelijk zwakke mensen worden gebruikt.
- ◆ Dit apparaat mag niet als speelgoed worden gebruikt.
- ◆ Gebruik het apparaat alleen bij daglicht of goed kunstlicht.
- ◆ Gebruik het apparaat alleen op een droge locatie. Laat het apparaat niet nat worden.
- ◆ U kunt de machine beter niet onder slechte weersomstandigheden gebruiken, vooral niet wanneer er bliksem dreigt.
- ◆ Dompel het apparaat niet onder in water.
- ◆ Open de behuizing niet. Het apparaat bevat geen onderdelen die door de gebruiker kunnen worden gerepareerd.
- ◆ Gebruik het apparaat niet in een omgeving met explosiegevaar, zoals in de nabijheid van brandbare vloeistoffen, gassen of stof.
- ◆ Het apparaat mag alleen worden gebruikt met de meegeleverde voedingseenheid.

## Overige risico's

Er kunnen zich bij het gebruik van dit gereedschap nog meer risico's voordoen, die mogelijk niet in de bijgesloten veiligheidswaarschuwingen worden beschreven.

Deze risico's kunnen zich voordoen door onoordeelkundig gebruik, langdurig gebruik, enz.

Zelfs wanneer de veiligheidsvoorschriften in acht worden genomen en de veiligheidsvoorzieningen worden gebruikt, kunnen bepaalde risico's niet worden uitgesloten.

Dit zijn onder meer:

- ◆ Verwondingen die worden veroorzaakt door het aanraken van draaiende of bewegende onderdelen.
- ◆ Verwondingen die worden veroorzaakt bij het vervangen van onderdelen, bladen of accessoires.
- ◆ Letsel dat wordt veroorzaakt door langdurig gebruik van gereedschap. Wanneer u langere periodes met gereedschap werkt, kunt u het beste regelmatig een pauze nemen.
- ◆ Gehoorbeschadiging.
- ◆ Gezondheidsrisico's die worden veroorzaakt door het inademen van stof dat ontstaat bij het gebruik van het gereedschap (bijv.: werken met hout, vooral eikenhout, beukenhout en MDF).

## Na gebruik

- ◆ Bewaar het apparaat na gebruik op een droge, goed geventileerde plaats, buiten het bereik van kinderen.

- ◆ Berg apparaten op buiten bereik van kinderen.
- ◆ Wanneer het apparaat in de auto ligt, moet u het apparaat in de kofferruimte plaatsen of goed vastzetten, zodat het apparaat niet kan wegschieten bij plotselinge veranderingen in snelheid of richting.

## Inspectie en reparaties

- ◆ Controleer het apparaat vóór gebruik op beschadigde en defecte onderdelen. Controleer het apparaat vooral op gebroken onderdelen en andere omstandigheden die de werking ervan kunnen beïnvloeden.
- ◆ Werk niet met het apparaat als een onderdeel beschadigd is of defect.
- ◆ Laat beschadigde of defecte onderdelen door een erkende reparateur repareren of vervangen.
- ◆ Probeer nooit andere onderdelen te verwijderen of te vervangen dan in deze handleiding worden vermeld.

## Aanvullende veiligheidsinstructies voor hogedrukreinigers

In deze handleiding wordt het bedoeld gebruik beschreven. Het gebruik van andere accessoires of hulpstukken dan wel de uitvoering van andere handelingen met dit apparaat dan in deze gebruikershandleiding worden aanbevolen, kan tot persoonlijk letsel en/of materiële schade leiden.

- ◆ Bescherm uw benen en voeten tijdens het werken met het apparaat door stevige schoenen en een lange broek aan te doen.
- ◆ Schakel het apparaat altijd uit, laat de ventilator tot stilstand komen en neem de accu uit wanneer:
- ◆ U het apparaat onbeheerd achterlaat.
  - ◆ U een verstopping verhelpt.
  - ◆ U het apparaat controleert, instelt, reinigt of onderhoudt.
  - ◆ Als het apparaat op abnormale wijze begint te trillen.
- ◆ De inlaat en uitlaat van de hogedrukreiniger mogen tijdens het werken niet in de buurt van de ogen of oren komen. Richt de waterstraal nooit in de richting van omstanders.
- ◆ Gebruik het apparaat niet in de regen en laat het niet buiten staan wanneer het regent.
- ◆ Betreed geen grindpaden of -wegen wanneer het apparaat is ingeschakeld. Loop rustig, ren nooit.
- ◆ Leg het apparaat niet op grint neer terwijl het is ingeschakeld.
- ◆ Zorg altijd dat u stevig staat, met name op hellingen. Reik niet buiten uw macht en bewaar te allen tijde uw evenwicht.
- ◆ Plaats geen voorwerpen in de openingen van het apparaat. Gebruik het apparaat nooit wanneer de openingen verstopt zijn – zorg dat er geen haren, stof en andere zaken in terecht komen die de luchtstroom kunnen belemmeren.

**Waarschuwing!** Gebruik dit apparaat altijd volgens de aanwijzingen in deze handleiding.

Het apparaat is ontworpen voor rechtstandig gebruik, en als het op andere wijze wordt gebruikt, kan dat leiden tot letsel. Laat het apparaat nooit draaien wanneer het op de zijkant ligt of ondersteboven.

- ◆ De gebruiker van het apparaat is verantwoordelijk voor ongelukken die gebeuren of voor gevaren waaraan andere mensen of hun eigendommen worden blootgesteld.
- ◆ Reinig het product niet met oplosmiddelen of reinigingsvloeistoffen. Schrap met een botte krabber gras en vuil van het apparaat.
- ◆ Controleer de opvangzak regelmatig op slijtage of beschadiging.
- ◆ Vervangende waaiers zijn verkrijgbaar bij een STANLEY FATMAX-servicecentrum. Gebruik uitsluitend door STANLEY FATMAX aanbevolen reserveonderdelen en accessoires.
- ◆ Zorg ervoor dat alle moeren, bouten en schroeven van het apparaat machine goed zijn aangedraaid zodat u veilig kunt werken.

## Veiligheid van anderen

- ◆ Het is niet de bedoeling dat het apparaat wordt gebruikt door personen (waaronder kinderen) met verminderde fysieke, sensorische of psychische vermogens, of door personen die het ontbreekt aan ervaring en kennis, tenzij onder toezicht en na instructie over het gebruik van het apparaat door iemand die verantwoordelijk is voor hun veiligheid.
- ◆ Er moet op worden toegezien dat kinderen niet met het apparaat spelen.

## Aanvullende veiligheidsinstructies voor accu's en laders

### Accu's

- ◆ Probeer nooit om welke reden dan ook batterijen open te maken.
- ◆ Stel de accu niet bloot aan water.
- ◆ Bewaar de batterijen niet op locaties met temperaturen van meer dan 40 °C.
- ◆ Laad de accu alleen op bij een omgevingstemperatuur van 10°C tot 40°C.
- ◆ Gebruik alleen de lader die bij het gereedschap is geleverd.
- ◆ Gooi lege accu's weg volgens de instructies in het gedeelte "Milieu".

### Laders

- ◆ Gebruik de lader van STANLEY FATMAX alleen voor de accu's in het apparaat waarbij de lader is bijgeleverd.

Andere batterijen kunnen openbarsten, met persoonlijk letsel en materiële schade tot gevolg.

- ◆ Niet-oplaadbare accu's mogen nooit worden opgeladen.
- ◆ Een defect snoer moet direct worden vervangen.
- ◆ Stel de lader niet bloot aan water.
- ◆ Open de lader niet.
- ◆ Prik nooit met een scherp voorwerp in de lader.



De lader is uitsluitend bestemd voor gebruik binnenshuis.



Lees de instructiehandleiding voor u de lader in gebruik neemt.

## Elektrische veiligheid



De lader is dubbel geïsoleerd, en daarom is een aardedraad niet nodig. Controleer altijd dat de netspanning overeenkomt met de waarde op het typeplaatje. Probeer nooit de lader te voorzien van een normale netstekker.

- ◆ Als het netsnoer is beschadigd, moet dit worden vervangen door de fabrikant of een STANLEY FATMAX-servicecentrum, zodat gevaarlijke situaties worden voorkomen.

### Labels op het apparaat

Behalve de datumcode vindt u op de machine de volgende symbolen:



Lees de handleiding voordat u met het apparaat gaat werken.



Draag een veiligheidsbril of een stofbril wanneer u met dit apparaat werkt.



Maak gebruik van goede gehoorbescherming wanneer u dit apparaat gebruikt.



Haal de accu altijd uit het apparaat voordat u reinigings- of onderhoudswerkzaamheden gaat uitvoeren.



Stel het apparaat niet bloot aan regen of een hoge luchtvochtigheid.



Richtlijn 2000/14/EG gegarandeerd geluidsvermogen.

## Functies

Dit apparaat heeft enkele of alle van de volgende functies.

1. Hoofdhandgreep
2. Hogedrukreiniger
3. Waterinlaat
4. Trekkevergrendeling
5. Accu-vrijgaveknop
6. Accu
7. Aan/uit-schakelaar
8. Filter met snelsluiting (inbegrepen)
9. Lans voor snelsluiting hogedrukreiniger (inbegrepen bij STZQDW1)
10. 5-in-1 Sputmond (inbegrepen bij STZ5N1)
11. Zeepfles (accessoire STZSBSK3: Reinigingspakket)
12. Aanzuigslang (inbegrepen bij STZHK2)
13. Slangconnector met snelsluiting (inbegrepen bij STZHK2)
14. Vlotterbal (inbegrepen bij STZHK2)
15. Tuinslangadapter (inbegrepen)
16. Korte lans (accessoire STZSW1)
17. Borstel (accessoire STZSBSK3: Reinigingspakket)
18. Wissel (accessoire STZSBSK3: Reinigingspakket)
19. Emmer (accessoire STZB1)

## Accu opladen

STANLEY FATMAX-laders zijn ontworpen voor het laden van STANLEY FATMAX-accu's.

- ◆ Steek de lader in een geschikt stopcontact.
  - ◆ Zet de accu stevig op z'n plaats. Het groene laadlampje zal tijdens het laden blijven knipperen.
  - ◆ Wanneer het groene laadlampje blijft branden, is de accu volledig opgeladen. U kunt de accu uit de lader halen of in de lader laten zitten.
  - ◆ Laad accu's die leeg zijn zo spoedig mogelijk na gebruik op, omdat anders de levensduur van de accu mogelijk ernstig wordt bekok.
- Accu's hebben de langste levensduur wanneer u ze niet volledig ontlaaft.

Aangeraden wordt de accu's na elk gebruik op te laden.

## Diagnose van de accu door de lader

Deze lader is zo ontworpen dat bepaalde problemen die zich kunnen voordoen met accu's of met de stroomvoorziening, kunnen worden gedetecteerd. Problemen worden aangeduid door middel van een LED die in verschillende patronen knippert.

## Slechte accu

De lader kan vaststellen dat een accu zwak is of beschadigd. De LED knippert in een patroon dat op het label wordt aangeduid. Ziet u het lampje in dit patroon van een slechte accu knipperen, ga dan niet door met het opladen van de accu. Breng de accu terug naar het servicecentrum of naar een inzamelpunt waar de accu kan worden gerecycled.

## Hot/cold pack delay (vertraging hete/koude accu)

Wanneer de lader waarneemt dat een accu veel te warm of veel te koud is, wordt onmiddellijk een Hot/Cold Delay gestart en wordt het laden uitgesteld tot de accu een normale temperatuur heeft bereikt. Zodra dit het geval is, schakelt de lader automatisch over op de stand Accu opladen. Deze functie waarborgt een maximale levensduur van de accu. Het lampje knippert in een patroon dat op het label wordt aangeduid.

## De accu in de lader laten

U kunt de accu voor onbepaalde tijd in de lader laten terwijl het LED-lampje blijft branden. De lader houdt de accu volledig opgeladen.

De lader heeft een automatische opwaardeerstand die de afzonderlijke cellen in de accu van gelijke lading voorziet of de lading ervan in evenwicht brengt zodat de accu optimaal kan presteren.

Accu's moeten elke week worden opgevaardeerd of wanneer de accu niet meer hetzelfde rendement geeft. Plaats, als u de automatische opwaardeerstand wilt gebruiken, de accu in de lader en laat de accu ten minste 8 uur in de lader zitten.

## Belangrijke opmerkingen over laden

- ◆ De langste levensduur en de beste prestaties kunnen worden behaald als de accu wordt opgeladen bij een temperatuur tussen 18 ° - 24 °C. Laad de accu NOOIT op in een luchttemperatuur lager dan +4,5 °C, of boven +40 °C. Dit is erg belangrijk en voorkomt ernstige schade aan de accu.
- ◆ De lader en de accu's zullen tijdens het laden misschien bij aanraking warm aanvoelen. Dit is normaal en wijst niet op een probleem. Plaats de accu en de lader na gebruik niet in een warme omgeving, zoals een metalen schuur of een niet-geïsoleerde aanhangwagen, laat ze op een koele plaats afkoelen.



- ◆ Als de accu niet goed wordt opgeladen:
  - ◆ Controleer de werking van het stopcontact door een lamp of een ander apparaat aan te sluiten;
  - ◆ Controleer of het stopcontact wordt onderbroken door een schakelaar, die het licht uitschakelt en het stopcontact stroomloos maakt;
  - ◆ Breng de lader en de accu naar een ruimte waar de luchttemperatuur tussen 18 ° en 24 °C ligt;
  - ◆ Breng, als de problemen met het opladen aanhouden, het gereedschap, de accu en de lader naar het servicecentrum bij u in de buurt.
  - ◆ De accu moet worden opgeladen wanneer de accu niet voldoende vermogen levert voor werkzaamheden die eerder zonder veel moeite werden uitgevoerd. WERK NIET LANGER MET HET GEREEDSCHAP onder deze omstandigheden. Volg de procedure voor het laden. U kunt ook een gedeeltelijk lege accu opladen, wanneer u dat maar wilt, zonder dat dat negatieve gevolgen heeft voor de accu.
- ◆ Houd vreemde materialen die geleidende eigenschappen hebben, zoals, maar niet uitsluitend, slijpstof, metaalsnippers, staalwol, aluminiumfolie of een ophoping van metaaldeeltjes, weg uit de uitsparingen in de lader. Trek de stekker van de lader uit het stopcontact voordat u de lader gaat reinigen.
- ◆ Laat de lader niet bevriezen en dompel de lader niet onder in water of andere vloeistoffen.

### De accu plaatsen (afb. G)

**Opmerking:** U bereikt het beste resultaat wanneer de accu (6) volledig is opgeladen.

- ◆ Maak de accuopening (6c) toegankelijk door de kap (6b) van de opening op te tillen.
- ◆ Houd de accu tegen over de rails binnen in de accuopening (6c) van het gereedschap en schuif de accu in de opening tot deze stevig vastzit in het gereedschap en controleer dat de accu niet loskomt.
- ◆ Sluit de kap (6b) van de accuopening. Start het gereedschap pas wanneer u hebt gecontroleerd dat de kap volledig op z'n plaats is vergrendeld.

### De accu uitnemen (afb. G)

- ◆ Maak de accu (6) toegankelijk door de kap (6b) van de accuopening op te tillen.
- ◆ Druk de vrijgaveknop (6a) op de accu (6) in en trek de accu uit het gereedschap.
- ◆ Plaats de accu in de lader zoals wordt beschreven in het ladergedeelte van deze handleiding.

## Montage

**Waarschuwing!** Beperk het gevaar op ernstig persoonlijk letsel: zet het apparaat uit en neem de accu uit, voordat u een aanpassing uitvoert of hulpstukken of accessoires verwijdert/installeert. Wanneer het apparaat per ongeluk wordt gestart, kan dat leiden tot letsel.

### Filter met snelsluiting bevestigen (Afb. A)

De hogedrukreiniger moet met de adapters met snelsluiting worden gebruikt. De tuinslang of de aanzuigslang kan alleen worden aangesloten wanneer het filter (8) met snelsluiting is geïnstalleerd.

- ◆ U kunt het filter (8) met snelsluiting op de hogedrukreiniger (2) aansluiten door het uiteinde van het filter met de snelsluiting op de waterinlaat (3) te plaatsen. Zet het filter met snelsluiting met de hand vast.

**Opmerking:** Draai de slang goed op de schroefdraad van de aansluiting. Wanneer de slang niet goed op de aansluiting is gedraaid, leidt dat tot lekkage.

### De hogedruklansen, zeepflles of een ander hulpstuk bevestigen (Afb. B)

De hogedruklansen, zeepflles en andere hulpstukken (afzonderlijk verkrijgbaar) kunnen op de hogedrukreiniger worden aangesloten. De hogedruklansen (9) (16) en de zeepflles (11) op de hogedrukreiniger (2) aansluiten:

- ◆ Steek het uiteinde van het hulpstuk in de opening van de hogedrukreiniger (2). Duw het hulpstuk aan en draai het naar rechts tot het vast zit en klaar is voor gebruik.
- ◆ U kunt het hulpstuk losnemen door het aan te duwen en het hulpstuk naar links te draaien en los te trekken van de hogedrukreiniger (2).

**Opmerking:** Er zijn nog andere accessoires verkrijgbaar voor gebruik op deze hogedrukreiniger, zie het hoofdstuk Accessoires.

### De tuinslang of de aanzuigslang bevestigen (Afb. C, D)

Of u de tuinslang of de aanzuigslang aansluit hangt af van de werkzaamheden die moeten worden gedaan.

### De tuinslang bevestigen (Afb. C)

De hogedrukreiniger moet met de adapters met snelsluiting worden gebruikt.

- ◆ U kunt het slangadapter (13) met snelsluiting aansluiten door het adapter op het uiteinde van de tuinslang te draaien. Zet de tuinslang met de hand vast.

**Opmerking:** Draai de slang goed op de schroefdraad van de aansluiting. Wanneer de slang niet goed op de aansluiting is gedraaid, leidt dat tot lekkage.

**Opmerking:** Laat, voor u de tuinslang op de hogedrukreiniger aansluit, dertig seconden lang water door de slang lopen zodat eventueel aanwezige vuil uit de opening van de drukslang wordt verwijderd.

- ◆ Duw, wanneer u de slangadapter (16) op het filter (3) met snelsluiting op de hogedrukreiniger (2) wilt aansluiten, het slangadapter stevig op het filter met snelsluiting.

**Opmerking:** Trek, voor gebruik, licht aan de tuinslang zodat u zeker weet dat de aansluiting goed is. Controleer dat het slangadapter met snelsluiting gelijk ligt aan het filter met snelsluiting, zoals wordt getoond in Afbeelding D.

- ◆ Maak de tuinslang na gebruik altijd los. U kunt de slang losmaken door de kraag op de slang met snelsluiting naar achteren te trekken en van het filter met snelsluiting te verwijderen.

### De aanzuigslang bevestigen (Afb. C, E)

Gebruik de aanzuigslang om water uit een emmer of een andere zoetwaterbron te onttrekken.

**Opmerking:** Gebruik de slang niet voor het aanzuigen van zeeppwater, chemicaliën, vuile of bijtende vloeistoffen, zoals ruitenreiniger, plantenvoeding, meststoffen of bleekwater. Gebruik geen zout water.

- ◆ Duw, wanneer u het slangadapter (13) op het uiteinde van de aanzuigslang op het filter (3) met snelsluiting op de hogedrukreiniger (2) wilt aansluiten, het slangadapter stevig op het filter met snelsluiting.

**Opmerking:** Trek, voor gebruik, licht aan de tuinslang zodat u zeker weet dat de aansluiting goed is. Controleer dat het slangadapter met snelsluiting op het uiteinde van de aanzuigslang gelijk ligt aan het filter met snelsluiting, zoals wordt getoond in de inzet in Afbeelding E.

- ◆ Plaats het andere uiteinde van de aanzuigslang met het filter erop in een bak met zoet water of een zoetwaterbron. Stel de vlotter op de aanzuigslang zo af dat het filter onder het niveau van de vloeistof blijft.
- ◆ Selecteer het juiste te gebruiken mondstuk. Zie de alinea Zo gebruikt u de multifunctionele spuitmond.
- ◆ Wanneer het te verrichten werk is voltooid, plaats dan de aanzuigslang in een bak schoon water en reinig het systeem door het schone water aan te trekken.

### Zo bevestigt u de 5-in-1-spuitmond op de hogedrukklans

**Waarschuwing!** Risico van het inslikken van vloeistof. Richt de straal niet op personen, onbeschermd huid, ogen of huisdieren of andere dieren. Ernstig letsel kan het gevolg zijn.

**Waarschuwing!** Rondvliegende voorwerpen kunnen ernstig letsel veroorzaken. Probeer NIET de spuitmond te wisselen wanneer de hogedrukreiniger werkt. Schakel de hogedrukreiniger uit en wissel dan pas een spuitmond.

- ◆ U kunt de spuitmond (10) op de hogedrukklans (9) bevestigen door de kraag van de snelsluiting naar de hogedrukklans te trekken en de spuitmond in te steken.
- ◆ Laat de kraag van de snelsluiting los zodat de spuitmond op z'n plaats wordt vergrendeld.
- ◆ Controleer dat de spuitmond op z'n plaats is vergrendeld door stevig aan de spuitmond te trekken nadat de snelsluiting van de kraag is vergrendeld.

### Zo gebruikt u de hogedrukklans (Afb. F)

Bij deze hogedrukreiniger wordt een variabele 5-in-1-spuitmond (10) geleverd.

- ◆ U kunt de druk van de variabele spuitmond (10) afstellen door de punt naar links of naar rechts te draaien voor de gewenste doorstroming.
  - ◆ Een smalle straal is goed voor het reinigen van roosters, opritten, trottoirs en bakstenen.
  - ◆ Een brede straal is goed voor het reinigen van terrassen, vinyl, geverfde oppervlakken, auto's en stucwerk.

**Opmerking:** De straal onder hoge druk van uw hogedrukreiniger kan beschadigingen geven op oppervlakken zoals hout, glas, autolak, auto-stripping en -decoraties, en tere voorwerpen zoals bloemen en struiken. Controleer, voordat u begint te spuiten dat het voorwerp dat u wilt reinigen sterk genoeg is en niet kan worden beschadigd door de kracht van de straal.

### Juiste handpositie (Afb. H)

**Waarschuwing!** Beperk het risico van ernstig persoonlijk letsel, houd de handen ALTIJD in de juiste positie, zoals afgebeeld.

**Waarschuwing!** Beperk het risico van ernstig persoonlijk letsel, houd het gereedschap ALTIJD stevig vast, zodat u bent voorbereid op een plotselinge reactie.

Voor een juiste positie van de handen zet u één hand op de hoofdhandgreep (1) en de andere op de hogedrukreiniger (2) zelf.

### Reinigen met hoge druk

#### Het oppervlak voorbereiden op reiniging

- ◆ Verwijder voorwerpen van de plek, die gevaar zouden kunnen opleveren.
- ◆ Controleer dat alle deuren en ramen goed gesloten zijn. Bescherm alle planten en bomen in de nabijheid met zeildoek, zodat zij niet beschadigd kunnen raken door het water onder druk.
- ◆ Spoel het te reinigen gebied met schoon water.
- ◆ Gebruik alleen schoonmaakmiddelen die bedoeld zijn voor hogedrukreinigers.
- ◆ Probeer een schoonmaakmiddel altijd voor gebruik op een onopvallende plek uit.

## Hogedrukreiniger klaarmaken voor gebruik

**Waarschuwing!** Risico van het inslikken van vloeistof en verwondingen. Wanneer u de hogedrukstand gebruikt, laat de waterstraal onder hoge druk dan NIET in aanraking komen met onbedekte huid, ogen, of met huisdieren of andere dieren. Ernstig letsel kan het gevolg zijn.

**Waarschuwing!** Voor ingebruikneming:

- ◆ Besluit de watertoevoer aan op de hogedrukreiniger. Zie voor instructies voor het aansluiten van de watertoevoer op de hogedrukreiniger Tuinslang of afvoerslang aansluiten onder Montage en Afstelling.
- ◆ Sluit de hogedrukklans, de zeepfles of een ander hulpstuk aan.  
Zie voor instructies voor het aansluiten van de hogedrukklans, De hogedrukklans, zeepfles of ander hulpstuk bevestigen onder Montage en afstelling.

## De hogedrukreiniger klaarmaken voor gebruik

**Belangrijk:** Koppel de trekkervergrendeling in de uit-stand (4) los, knijp de trekker (7) in en houd de trekker 30 seconden vast en ontlucht het systeem. Zit er nog lucht in de waterstroom, laat dan nog meer water door de sproeihandgreep lopen.

- ◆ Schakel de trekkervergrendeling in de uit-stand (4) uit.
- ◆ Knijp de trekker (7) in.

## Een oppervlak reinigen

**Waarschuwing!** Risico van letsel door hoge druk. Schakel altijd de trekkervergrendeling in wanneer de hogedrukreiniger niet in gebruik is. Doet u dat niet, dan kan de hogedrukreiniger onbedoeld gaan werken.

- ◆ Schakel de hogedrukreiniger in door op de trekkervergrendeling (4) in de uit-stand uit te schakelen en de trekker (7) in te knijpen.

**Opmerking:** De beste hoek voor het onder hoge druk spuiten van water tegen een oppervlak is 45°. Wanneer u in een rechte hoek op het oppervlak werkt, zult u meestal vuildeeltjes in het oppervlak werken. Werk u op verticale oppervlakken, dan kunt u het beste een reinigingsmiddel toepassen, beginnen aan de onderzijde en naar boven toe werken, zodat niet het reinigingsmiddel dat naar beneden loopt, strepen kan veroorzaken.

- ◆ Stop de hogedrukreiniger door de trekker los te laten.

**Opmerking:** Al te hoge druk van de pomp kan het gevolg zijn van een verstopte spuitmond of een verstopt messing koppelstuk.

Schakel altijd de hogedrukreiniger uit en neem de accu uit voordat u probeert een spuitmond of een messing koppelstuk schoon te maken.

**Waarschuwing!** Werk nooit met water dat chemicaliën bevat. Onttrek alleen water uit zoetwaterbronnen.

## Afsluiten

- ◆ Stop de hogedrukreiniger door de trekker los te laten en de accu uit te nemen.
- ◆ Draai de kraan van de watertoevoer dicht.
- ◆ Laat overgebleven druk ontsnappen door de trekker (7) in te knijpen tot er geen water meer uit de hogedrukklans (9) komt.
- ◆ Maak de tuinslang los van de waterinlaat (3) en de afvoerslang.
- ◆ U kunt de slang losmaken van de hogedrukreiniger door de kraag op de slang met snelsluiting naar achteren te trekken en van het filter met snelsluiting te verwijderen.

## Onderhoud

**Waarschuwing!** Beperk het gevaar op ernstig persoonlijk letsel: zet het apparaat uit en neem de accu uit, voordat u een aanpassing uitvoert of hulpstukken of accessoires verwijdert/installeert. Wanneer het apparaat per ongeluk wordt gestart, kan dat leiden tot letsel.

## Reiniging

**Waarschuwing!** Blaas ten minste eens per week met schone, droge lucht vuil en stof uit alle luchtopeningen.

Beperk het risico van oogletsel zoveel mogelijk, gebruik altijd oogbescherming wanneer u deze werkzaamheden uitvoert.

**Waarschuwing!** Gebruik nooit oplosmiddelen of andere bijtende chemicaliën voor het reinigen van niet-metalen onderdelen van het gereedschap. Deze chemicaliën kunnen de kunststof materialen die in deze onderdelen worden gebruikt, week maken. Gebruik een doek die uitsluitend met water en milde zeep is bevochtigd. Zorg dat er nooit enige vloeistof in het gereedschap komt; dompel nooit enig onderdeel van het gereedschap in een vloeistof.

## Spuitmond

Als de spuitmond verstopt raakt met bijvoorbeeld vuil, kan de druk te hoog oplopen.

Als de spuitmond gedeeltelijk verstopt of niet goed doorlaatbaar wordt, zal de pompdruk toe- en afnemen. Maak de spuitmond onmiddellijk schoon.

- ◆ Sluit de hogedrukreiniger (2) af en schakel de watertoevoer uit.
- ◆ Trek de trekker (7) op de hoofdhandgreep (1) in zodat de waterdruk kan afnemen.
- ◆ Verwijder de spuitmond van de hogedrukklans (9) door de kraag (10) met snel sluiting naar de lans toe te trekken.
- ◆ Verwijder alle vuil uit de spuitmond.
- ◆ Laat water uit de kraan of uit de tuinslang door de spuitmond lopen.

## Zeepfles

- ◆ Sluit de hogedrukreiniger af en schakel de watertoevoer uit, wanneer u de zeepfles wilt schoonmaken.
- ◆ Trek de trekker op de handgreep van de reiniger in zodat de waterdruk kan afnemen.
- ◆ Koppel de zeepfles (11) los van de hogedrukreiniger en schroef de spuitmond van de zeepfles los.
- ◆ Wanneer u de zeepfles (11) wilt reinigen, giet dan eventueel overgebleven reinigingsmiddel terug in de container. Spoel de fles grondig schoon met water uit de tuinslang. Giet de fles leeg en laat deze drogen.
- ◆ Plaats de spuitmond weer op de zeepfles.

## Aanzuigslang

- ◆ Schakel de hogedrukreiniger uit wanneer u de aanzuigslang (12) wilt schoonmaken.
- ◆ Trek de trekkerschakelaar in zodat de waterdruk kan afnemen.
- ◆ Koppel de aanzuigslang (12) los van de hogedrukreiniger.
- ◆ U kunt de aanzuigslang reinigen met water uit een tuinslang door de slang grondig door te spoelen en vervolgens te laten drogen.

## Filter aanzuigslang (Afb. J)

- ◆ Draai het filter (20) aan het uiteinde van de aanzuigslang (12) naar links en neem het filter uit. Neem het zeefje uit het filter. Spoel alle onderdelen met schoon water en monteer ze weer.

## Filter met snelsluiting (Afb. K)

- ◆ Trek de kraag op de slangadapter met snelsluiting naar achteren en neem de tuinslang of aanzuigslang los van het filter met snelsluiting ( 8 ).
- ◆ Neem het filter met snelsluiting uit de hogedrukreiniger.
- ◆ Binnen in het filter (8) met snelsluiting is een schermfilter ( 22 ). Verwijder het schermfilter, spoel het schoon met water en monteer het weer.

## Opslag

- ◆ Laat altijd de aanzuigslang, hogedrukreiniger, hogedruklans, spuitmond en de zeepfles geheel leeg lopen.
- ◆ Berg ze op een droge, overdekte locatie op, boven het vriespunt. OPBERGEN BINNENSHUIS.

## Accessoires

**Waarschuwing!** Aangezien accessoires die niet door STANLEY FATMAX worden aangeboden niet met dit product zijn getest, kan het gebruik van dergelijke accessoires met dit gereedschap gevaarlijk zijn. Om het risico op letsel te verminderen dient u uitsluitend door STANLEY FATMAX aanbevolen accessoires met dit product te gebruiken.

Aanbevolen accessoires bij uw gereedschap zijn tegen betaling verkrijgbaar bij uw dealer ter plaatse of bij het officiële servicecentrum. Neem, wanneer u hulp nodig hebt bij het vinden van een accessoire, contact op met [www.blackand-decker.co.uk](http://www.blackand-decker.co.uk).

- STZIHK2:** SFM Inlaatslang, slangadapter PAKKET
- STZSBSK3:** SFM Reiniging PAKKET (Borstel, wisser, zeepfles)
- STZSW1:** SFM Korte lans
- STZ5N1:** SFM 5-in-1-spuitmond
- STZB1:** SFM Emmer
- STZQDW:** SFM Lans met snelsluiting

## Het milieu beschermen



Gescheiden afvalinzameling. Producten en accu's die zijn voorzien van dit symbool mogen niet bij het normale huishoudafval worden weggegooid.

Producten en accu's bevatten materialen die kunnen worden teruggewonnen of gerecycled en dat doet de vraag naar grondstoffen afnemen. Recycle elektrische producten en accu's volgens de ter plaatse geldende voorschriften.

## Technische gegevens

		SFMCPC93
Druk	(BAR)	24
Waterstroom	(l/h)	120
Accu	DC	18V
Inlaatslang		6 m
Druk op waterinlaat	(BAR)	1,4 - 6,9
Waterinlaat		Koud kraanwater
Verbruik van zeep		10% MAX

		SFMCB12
Input Voltage	V <sub>ac</sub>	230
Output Voltage	V <sub>dc</sub>	18
Current	A	2

		SFMCB202	SFMCB204	SFMCB206
Voltage	V <sub>dc</sub>	18	18	18
Capacity	Ah	2.0	4.0	6.0
Type		Li-Ion	Li-Ion	Li-Ion

Emissie geluidsdrukniveau L<sub>PA</sub>: 75,0 dB(A)

Onzekerheid K = 3 dB(A)

Gemeten geluidsvermogensniveau L<sub>WA</sub>: 86,0 dB(A)

Onzekerheid K = 1,6 dB(A);

Ondergetekende is verantwoordelijk voor de samenstelling van het technische bestand en legt deze verklaring af namens STANLEY FATMAX.

*Patrick Diepenbach*

Patrick Diepenbach  
General Manager, Benelux  
Black and Decker,  
Egide Walschaertsstraat 14 -18  
2800 Mechelen, België  
30/11/2020

## Garantie

STANLEY FATMAX heeft vertrouwen in zijn producten en biedt consumenten een garantie van 12 maanden vanaf de datum van aankoop. Deze garantie vormt een aanvulling op uw wettelijke rechten en beperken deze niet. De garantie is geldig op het grondgebied van de Lidstaten van de Europese Unie en de Europese Vrijhandelszone.

Voor een garantie-aanspraak moet uw aanspraak in overeenstemming zijn met de Voorwaarden en Conditie van STANLEY FATMAX en moet u een bewijs van aankoop overleggen aan de verkoper of aan een geautoriseerde reparatiemonteur. Voorwaarden en condities van de 1-jarige garantie van STANLEY FATMAX en het adres van de vestiging van de geautoriseerde reparatiemonteur bij u in de buurt, kunt u vinden op internet op [www.2helpU.com](http://www.2helpU.com), of door contact op te nemen met het STANLEY FATMAX-kantoor ter plaatse, op het adres dat in deze handleiding wordt vermeld.

Bezoek onze website [www.stanley.eu/3](http://www.stanley.eu/3), waar u uw nieuwe STANLEY FATMAX product kunt registreren en informatie kunt vinden over nieuwe producten en speciale aanbiedingen.

## Uso previsto

La hidrolimpiadora SFMCPC93 de STANLEY FATMAX ha sido diseñada para limpiar barcos, coches, cubiertas, entradas, parrillas, revestimientos de casas, motos, patios y muebles de exterior. Estos aparatos han sido concebidos únicamente para uso doméstico.

## Instrucciones de seguridad

**¡Advertencia!** Si utiliza aparatos eléctricos/sin cable, es necesario seguir las precauciones de seguridad básicas, incluidas las que se indican a continuación, para reducir el riesgo de incendios, descargas eléctricas, lesiones personales y daños materiales.



Nunca dirija el chorro de agua hacia las personas, los animales, la máquina o los componentes eléctricos.

**¡Advertencia!** Los chorros de alta presión pueden ser peligrosos si se utilizan mal.



De conformidad con las normas vigentes, el aparato no debe usarse sin un separador de sistema en la red de agua potable. Use un separador conforme a la norma IEC 61770 de tipo BA.

El agua que fluye a través de un separador de sistema se considera no potable.

- ◆ Lea todo el manual detenidamente antes de utilizar el aparato.

- ◆ En este manual se describe el uso para el que se ha diseñado el aparato. La utilización de accesorios o acoplamientos y la realización de operaciones distintas a las recomendadas en este manual de instrucciones con este aparato pueden conllevar el riesgo de lesiones.
- ◆ Conserve este manual para futuras consultas.

## Uso del aparato

Tenga siempre cuidado al utilizar el aparato.

- ◆ No se debe dirigir líquido ni vapor hacia equipos que contengan componentes eléctricos como el interior de los hornos.
- ◆ El aparato no debe utilizarse si se ha caído, si presenta signos visibles de daños o si tiene pérdidas.
- ◆ Utilice siempre gafas protectoras.
- ◆ Nunca permita que los niños ni las personas con capacidades físicas, sensoriales o mentales disminuidas; que carezcan de experiencia y conocimientos, o que no estén familiarizadas con estas instrucciones utilicen la máquina. Las normas locales pueden restringir la edad del operador. Nunca utilice la máquina si otras personas, especialmente niños o mascotas, se encuentran cerca.
- ◆ Evite que los niños y animales se acerquen a la zona de trabajo y toquen el aparato o el cable de alimentación.

- ◆ La supervisión cercana es necesaria si utiliza el aparato cerca de niños.
- ◆ Este aparato está pensado para utilizarse con la supervisión correspondiente en el caso de menores o personas que no cuentan con la fuerza necesaria.
- ◆ Este aparato no es un juguete.
- ◆ Utilice el aparato únicamente a la luz del día o con iluminación artificial adecuada.
- ◆ Utilícelo únicamente en lugares secos. Tenga cuidado de no mojar el aparato.
- ◆ Evite usar el aparato cuando hay mal tiempo, sobre todo si hay riesgo de rayos.
- ◆ No sumerja el aparato en agua.
- ◆ No abra la carcasa. Las piezas del interior del aparato no pueden ser reparadas por el usuario.
- ◆ No utilice el aparato en un entorno con peligro de explosión, en el que se encuentren líquidos, gases o materiales en polvo inflamables.
- ◆ El aparato debe utilizarse solo con la unidad de alimentación suministrada junto con el aparato.

## Riesgos residuales.

El uso de esta herramienta puede producir riesgos residuales adicionales no incluidos en las advertencias de seguridad adjuntas.

Estos riesgos se pueden generar por un uso incorrecto, demasiado prolongado, etc.

El cumplimiento de las normas de seguridad correspondientes y el uso de dispositivos de seguridad no evitan ciertos riesgos residuales.

Dichos riesgos incluyen:

- ◆ Lesiones causadas por el contacto con las piezas giratorias/móviles.
- ◆ Lesiones producidas al cambiar cualquier pieza, hoja o accesorio.
- ◆ Lesiones producidas al usar una herramienta por un tiempo demasiado prolongado. Si utiliza una herramienta durante períodos de tiempo demasiado prolongados, asegúrese de realizar pausas con frecuencia.
- ◆ Deterioro auditivo.
- ◆ Riesgos para la salud producidos al respirar el polvo que se genera al usar la herramienta (por ejemplo: en los trabajos con madera, especialmente de roble, haya y tableros de densidad mediana).

## Después de la utilización

- ◆ Cuando el aparato no esté en uso, deberá guardarse en un lugar seco, bien ventilado y lejos del alcance de los niños.
- ◆ Los niños no deben tener acceso a los aparatos guardados.
- ◆ Cuando guarde o transporte el aparato en un vehículo, deberá colocarlo en el maletero o sujetarlo, para evitar movimientos producidos por cambios repentinos en la velocidad o la dirección.

## Inspecciones y reparaciones

- ◆ Antes de utilizar el aparato, compruebe que no tenga piezas dañadas ni defectuosas. Compruebe que no hay piezas rotas u otros defectos que puedan afectar al funcionamiento del aparato.
- ◆ No utilice el aparato si presenta alguna pieza dañada o defectuosa.
- ◆ Solicite al servicio técnico autorizado la reparación o sustitución de las piezas dañadas o defectuosas.
- ◆ Nunca intente extraer ni sustituir ninguna pieza que no esté especificada en este manual.

## Instrucciones de seguridad adicionales para hidrolimpiadoras

En este manual se describe el uso para el que se ha diseñado el aparato. La utilización de accesorios o la realización de operaciones con este aparato distintas de las recomendadas en este manual de instrucciones puede presentar un riesgo de lesiones y/o daños materiales.

- ◆ Para proteger sus pies y piernas cuando utilice el aparato, lleve siempre calzado resistente y pantalones largos.
- ◆ Apague siempre el producto, deje que el ventilador se detenga y desconecte la batería cuando:
  - ◆ Deje el producto sin vigilancia.
  - ◆ Elimine una obstrucción.
  - ◆ Compruebe, ajuste, limpie o realice cualquier operación en el producto.

- ◆ El aparato comience a vibrar de manera anormal.
- ◆ Evite acercarse a la entrada o la salida de la hidrolimpiadora a los ojos o a los oídos durante el uso. Nunca la dirija hacia otras personas.
- ◆ No utilice el producto bajo la lluvia ni lo deje en el exterior mientras esté lloviendo.
- ◆ No atravesarse caminos de grava ni calles con el producto encendido. Camine; nunca corra.
- ◆ No deje la unidad sobre la grava mientras se encuentra encendida.
- ◆ Manténgase en todo momento firmemente apoyado en el suelo, especialmente cuando esté en pendiente. Sea precavido y mantenga el equilibrio en todo momento.
- ◆ No coloque ningún objeto en las aberturas. Nunca utilice el producto si las aberturas están bloqueadas. Evite que le entren pelos, pelusas, partículas de polvo u otras sustancias que puedan reducir el flujo de aire.

**¡Advertencia!** Utilice siempre el producto según las instrucciones que se describen en este manual.

El producto está diseñado para utilizarse en posición vertical, y su utilización en cualquier otro modo puede causar lesiones. Nunca ponga en marcha el producto mientras este se encuentre recostado o boca abajo.

- ◆ El usuario será responsable de los accidentes y las situaciones peligrosas que puedan sufrir las personas de su alrededor o sus propiedades.
- ◆ No utilice disolventes ni fluidos de limpieza para limpiar el producto. Utilice un raspador sin filo para eliminar la grasa y la suciedad.
- ◆ Compruebe frecuentemente que la bolsa colectora no esté gastada o rota.
- ◆ El agente autorizado de STANLEY FATMAX le proporcionará ventiladores de recambio. Utilice únicamente piezas de repuesto y accesorios recomendados por STANLEY FATMAX.
- ◆ Mantenga todas las tuercas, pernos y tornillos del aparato apretados para asegurar unas condiciones de trabajo seguras.

### Seguridad de otras personas

- ◆ Este aparato no se destina al uso por parte de personas (incluyendo los niños) con capacidades físicas, sensoriales o mentales reducidas, o que carezcan de experiencia o del conocimiento necesario, a menos que estén supervisadas o reciban las instrucciones relativas al uso del aparato por una persona encargada de su seguridad.
- ◆ Los niños deben vigilarse en todo momento para asegurarse de que no la tomen como elemento de juego.



## Instrucciones de seguridad adicionales para baterías y cargadores

### Baterías

- ◆ Jamás trate de abrirla por ninguna razón.
- ◆ No exponga las baterías al agua.
- ◆ No las almacene en lugares en los que la temperatura pueda superar los 40 °C.
- ◆ Realice la carga únicamente a una temperatura ambiente de entre 10 °C y 40 °C.
- ◆ Utilice únicamente el cargador suministrado con la herramienta para realizar la carga.
- ◆ Cuando vaya a desechar la batería, siga las instrucciones facilitadas en la sección "Protección del medio ambiente".

### Cargadores

- ◆ Solo debe utilizar el cargador STANLEY FATMAX para cargar la herramienta con la que se suministró. Otras baterías podrían explotar y provocar lesiones y daños materiales.
- ◆ Nunca intente cargar baterías no recargables.
- ◆ Sustituya los cables defectuosos inmediatamente.
- ◆ No exponga el cargador al agua.
- ◆ No abra el cargador.
- ◆ No aplique ningún dispositivo para medir la resistencia del cargador.



El cargador ha sido concebido para utilizarse únicamente en un lugar interior.



Lea el manual de instrucciones antes de usar el producto.

### Seguridad eléctrica



El cargador presenta un aislamiento doble; por lo tanto, no requiere conexión a tierra. Compruebe siempre que el voltaje de la red eléctrica corresponda al valor indicado en la placa de características. No intente sustituir el cargador por un enchufe convencional para la red eléctrica.

- ◆ Si se dañara el cable de alimentación, deberá ser sustituido por el fabricante o por un centro de asistencia técnica autorizado de STANLEY FATMAX para evitar cualquier situación de riesgo.

### Etiquetas del aparato

Junto con el código de la fecha, en la herramienta aparecen los siguientes símbolos:



Lea el manual antes de utilizar el aparato.



Cuando utilice el aparato, lleve siempre gafas protectoras.



Cuando maneje el aparato, utilice protectores para los oídos adecuados.



Siempre debe extraer la batería del aparato antes de limpiar y realizar el mantenimiento.



No exponga el aparato a la lluvia ni a una humedad elevada.



Directiva 2000/14/CE sobre la potencia acústica garantizada.

## Características

Este aparato incluye una o más de las siguientes características.

1. Empuñadura principal
2. Unidad hidrolimpiadora
3. Toma de agua
4. Bloqueo del gatillo
5. Botón de liberación de la batería
6. Batería
7. Gatillo de encendido/apagado
8. Filtro de conexión rápida (suministrado)
9. Tubo de conexión rápida de la hidrolimpiadora (suministrado, STZQDW1)
10. Boquilla 5 en 1 (suministrada, STZ5N1)
11. Botella de detergente (suministrado, STZSBSK3: KIT de limpieza)
12. Manguera de aspiración (suministrada, STZIHK2)
13. Conector de manguera de conexión rápida (suministrado, STZIHK2)
14. Flotador esférico (suministrado, STZIHK2)
15. Adaptador de manguera de jardín (suministrado)
16. Tubo corto (suministrado, STZSW1)
17. Cepillo (accesorio STZSBSK3: KIT de limpieza)
18. Escobilla de goma (accesorio STZSBSK3: KIT de limpieza)
19. Cubo (accesorio STZB1)

## Cargar la batería

Los cargadores STANLEY FATMAX han sido diseñados para cargar las baterías STANLEY FATMAX.

- ◆ enchufe el cargador en una toma de corriente adecuada.
- ◆ Inserte la batería y trábela bien. La luz de carga verde parpadeará continuamente durante la carga.
- ◆ La carga habrá finalizado cuando la luz de carga verde quede iluminada en modo continuo. La batería se puede dejar en el cargador o se puede sacar.
- ◆ Recargue las baterías descargadas tan pronto como sea posible después del uso; de lo contrario, se reducirá su vida útil.

Para aprovechar al máximo la vida útil de la batería, no deje que la batería se agote. Es recomendable recargar las baterías después de cada uso.

## Diagnóstico del cargador

Este cargador ha sido diseñado para detectar algunos problemas que pueden surgir con la batería o la fuente de alimentación. Los problemas se indican a través de un LED parpadeante con diferentes patrones.

## Fallo de la batería

El cargador puede detectar si la batería está débil o dañada. El LED parpadea con el patrón indicado en la etiqueta. Si nota este patrón de parpadeo del indicador de fallo de la batería, no siga recargando la batería. Llévela a un centro de servicios o a un punto de recogida para el reciclaje.

## Retardo por batería fría o caliente

Cuando el cargador detecta que la batería está demasiado fría o demasiado caliente, inicia automáticamente un retardo de batería fría/caliente y suspende la carga hasta que la batería se normalice. Después de esto, el cargador cambia automáticamente al modo de carga de batería. Esta característica asegura la máxima vida útil de la batería. La luz parpadea con el patrón indicado en la etiqueta.

## Dejar la batería en el cargador

El cargador y la batería pueden permanecer conectados durante un periodo de tiempo indefinido con el indicador LED iluminado. El cargador mantendrá el conjunto de la batería a baja temperatura y completamente cargado.

Este cargador está dotado de un modo de afinación automática que equaliza o balancea las celdas individuales de la batería, para permitir que esta funcione al máximo de su capacidad.

La batería debería afinarse semanalmente o cada vez que no tenga el mismo rendimiento. Para usar el modo de afinación automática, coloque la batería en el cargador y déjela durante por lo menos 8 horas.

## Notas importantes para la carga

- ◆ Se puede obtener una vida útil más larga y un mejor rendimiento si se carga la batería a una temperatura ambiente entre 18 °C- 24 °C. NO cargue la batería a una temperatura ambiente inferior a +4.5 °C o superior a +40 °C. Esto es importante y previene daños graves a la batería.
- ◆ El cargador y la batería pueden calentarse demasiado al tacto durante la carga. Esto es normal y no indica ningún problema.  
Para facilitar el enfriamiento de la batería después del uso, evite colocar el cargador o la batería en un ambiente cálido, como un cobertizo metálico o un remolque sin aislamiento.
- ◆ Si la batería no se carga correctamente:
  - ◆ enchufe una lámpara u otro aparato para comprobar la corriente de la toma.
  - ◆ Compruebe si la toma está conectada a un interruptor de luz que corta la energía al apagar las luces.
  - ◆ Desplace el cargador y la batería hacia un lugar donde la temperatura ambiente sea de aproximadamente 18 °C - 24 °C.

- ◆ Si el problema de carga persiste, lleve la herramienta, la batería y el cargador a su centro de servicios local.
- ◆ La batería debe recargarse cuando no produce energía suficiente para trabajos que antes se efectuaban fácilmente. NO SIGA usándolo en estas condiciones. Siga el procedimiento de carga. También puede cargar una batería parcialmente usada cuando lo desee, sin ningún efecto adverso para la batería.
- ◆ Los materiales extraños que sean conductores, por ejemplo, el polvo de molido, los chips metálicos, la lana de acero, el papel de aluminio o cualquier acumulación de partículas metálicas, deben mantenerse alejados de las cavidades del cargador. Desenchufe el cargador antes de intentar limpiarlo.
- ◆ No lo congele ni lo sumerja en agua u otros líquidos.

### Colocación de la batería (Fig. G)

**Nota:** Para obtener mejores resultados, compruebe que la batería (6) esté totalmente cargada.

- ◆ Levante y mantenga levantada la tapa del alojamiento de la batería (6b) para dejar al descubierto el alojamiento de la batería (6c).
- ◆ Alinee la batería en las guías interiores del compartimento de la batería (6c) de la herramienta, deslice la batería dentro del alojamiento hasta que quede bien colocada en la herramienta y compruebe que no se desenganche.
- ◆ Cierre la tapa del alojamiento de la batería (6b). Compruebe que la tapa esté totalmente enganchada en su posición antes de poner en marcha la herramienta.

### Extracción de la batería (Fig. G)

- ◆ Levante y mantenga levantada la tapa del alojamiento de la batería (6b) para dejar al descubierto el alojamiento de la batería (6).
- ◆ Presione el botón de liberación de la batería (6a) de la batería (6) y tire energicamente de la batería para sacarla de la herramienta.
- ◆ Introduzca la batería en el cargador como se indica en la sección del cargador de este manual.

### Montaje

**¡Advertencia!** Para disminuir el riesgo de lesiones personales graves, apague la unidad y retire la batería antes de realizar ajustes o de poner o quitar acoplamientos o accesorios. El encendido accidental puede causar lesiones.

### Colocación del filtro de conexión rápida (Fig. A)

Esta hidrolimpiadora debe usarse con los adaptadores de conexión rápida. La manguera de jardín o de aspiración se puede conectar solo después de colocar el filtro de conexión rápida (8).

- ◆ Para conectar el filtro de conexión rápida (8) a la hidrolimpiadora (2), coloque el extremo del filtro de conexión rápida en la toma de agua (3). Apriete el filtro de conexión rápida a mano.

**Nota:** Evite el roscado cruzado cuando instale la manguera. El roscado cruzado causa fugas.

### Colocar los tubos pulverizadores, la botella de detergente u otro accesorio (Fig. B)

El tubo pulverizador, la botella de detergente y otros accesorios (que se venden por separado) se conectan a la hidrolimpiadora. Conectar los tubos pulverizadores (9) (16) y la botella de detergente (11) a la hidrolimpiadora (2):

- ◆ Inserte el extremo del accesorio en el orificio de la hidrolimpiadora (2). Empuje y gire el accesorio en sentido horario hasta que quede trabado en la posición de trabajo.
- ◆ Para quitar el accesorio, empuje y gire el accesorio en sentido antihorario y tírelo hacia fuera de la hidrolimpiadora (2).

**Nota:** Hay otros accesorios disponibles para usar con esta hidrolimpiadora, consulte la sección Accesorios.

### Conectar la manguera de jardín o de aspiración (Fig. C, D)

La conexión de la manguera de jardín o de aspiración depende del trabajo a realizar.

### Conectar la manguera de jardín (Fig. C)

Esta hidrolimpiadora debe usarse con los adaptadores de conexión rápida.

- ◆ Para conectar el adaptador de manguera de conexión rápida (13) a una manguera de jardín, enrosque el adaptador de manguera de conexión rápida en el extremo de la manguera de jardín. Apriete la manguera de jardín con la mano.

**Nota:** Evite el roscado cruzado cuando instale la manguera. El roscado cruzado causa fugas.

**Nota:** Antes de conectar la manguera de jardín a la hidrolimpiadora, haga correr agua por la manguera de jardín durante treinta segundos para limpiar cualquier residuo que pudiese haber en la boca de la manguera de presión de jardín.

- ◆ Para conectar el adaptador de manguera de conexión rápida (16) al filtro de conexión rápida (3) de la hidrolimpiadora (2), empuje con firmeza el adaptador de manguera de conexión rápida en el filtro de conexión rápida.

**Nota:** Antes de usarla, tire suavemente de la manguera de jardín para comprobar que la conexión sea segura. Asegúrese de que el adaptador de la manguera de conexión rápida esté al ras del filtro de conexión rápida, como se muestra en la figura D.

- ◆ Desconecte siempre la manguera de jardín después de usarla.

Para desconectarla, tire hacia atrás el collarín del adaptador de la manguera de conexión rápida y quítelo del filtro de conexión rápida.

## Conectar la manguera de aspiración (Fig. C, E)

Use la manguera de aspiración para sacar agua de un cubo u otra fuente de agua dulce.

**Nota:** No la utilice para aspirar detergentes, productos químicos, líquidos sucios o corrosivos, como limpiacristales, fortalecedores de plantas, fertilizantes o lejía. No utilice agua salada.

- ◆ Para conectar el adaptador de manguera de conexión rápida (13) del extremo de la manguera de aspiración al filtro de conexión rápida (3) de la hidrolimpiadora (2), empuje con firmeza el adaptador de manguera de conexión rápida en el filtro de conexión rápida.

**Nota:** Antes de usarla, tire suavemente de la manguera de jardín para comprobar que la conexión sea segura. Compruebe que el adaptador de la manguera de conexión rápida del extremo de la manguera de aspiración esté al ras del filtro de conexión rápida, como se muestra en el detalle de la figura E.

- ◆ Coloque el otro extremo de la manguera de aspiración con filtro sobre él o en un recipiente de agua dulce o en una fuente de agua dulce. Ajuste el flotador de la manguera de aspiración para que el filtro quede cubierto por el líquido.
- ◆ Seleccione la boquilla correcta para usar. Consulte el párrafo **Cómo usar la boquilla multipulverizadora**.
- ◆ Una vez completado el trabajo, coloque la manguera de aspiración en un recipiente con agua limpia y haga pasar el agua limpia por el sistema para enjuagarlo.

## Cómo conectar la boquilla 5 en 1 al tubo pulverizador

**¡Advertencia!** Riesgo de inyección de fluidos. No dirija el flujo de descarga hacia las personas, la piel o la vista sin protección ni hacia mascotas o animales. Podrían ocasionarse lesiones graves.

**¡Advertencia!** Los objetos voladores pueden causar lesiones graves. NO intente cambiar las boquillas mientras la hidrolimpiadora esté funcionando. Apague la hidrolimpiadora antes de cambiar las boquillas.

- ◆ Para conectar la boquilla (10) al tubo pulverizador (9), tire del collarín de conexión rápida hacia el tubo pulverizador e inserte la boquilla.
- ◆ Suelte el collarín de conexión rápida para bloquear la boquilla en su lugar.
- ◆ Para asegurarse de que la boquilla esté trabada en su lugar, de un tirón fuerte la boquilla después de que el collarín de conexión rápida esté bloqueado en su posición.

## Cómo usar el tubo pulverizador (Fig. F)

Con esta hidrolimpiadora se suministra una boquilla pulverizadora variable 5 en 1 (10).

- ◆ Para ajustar la presión de la boquilla de pulverización variable (10), gire la punta en sentido horario o antihorario hasta obtener el flujo deseado.
  - ◆ Un rociado estrecho es indicado para limpiar parrillas, entradas, aceras y ladrillos.
  - ◆ Un rociado amplio es indicado para limpiar suelos, vinilo, superficies pintadas, coches y caravanas y estuco.

**Nota:** La pulverización a alta presión de la hidrolimpiadora puede causar daños a las superficies tales como madera, vidrio y pintura de automóviles, y rasguños y cortes en los coches y otros objetos delicados como flores y arbustos. Antes de pulverizar, compruebe el elemento que vaya a limpiar, para asegurarse de que sea lo suficientemente fuerte como para resistir los daños de la potencia de pulverización.

## Posición correcta de las manos (Fig. H)

**¡Advertencia!** Para reducir el riesgo de lesiones personales graves, mantenga SIEMPRE las manos en una posición adecuada, como se muestra.

**¡Advertencia!** Para reducir el riesgo de lesiones personales graves, sujete SIEMPRE bien la máquina, anticipándose a una reacción repentina.

La posición adecuada de las manos exige que una mano se coloque en la empuñadura lateral (1) y la otra en el cuerpo de la hidrolimpiadora (2), como se muestra.

## Limpieza a presión

### Preparación de la superficie para la limpieza

- ◆ Saque los objetos de la zona en que puedan crear un peligro.
- ◆ Compruebe que todas las puertas y las ventanas estén bien cerradas. Proteja todas las plantas y árboles de la zona circundante con una lona, para asegurarse de que no sean dañados por un exceso de pulverización.
- ◆ Enjuague previamente el área de limpieza con agua limpia.
- ◆ Use solo los detergentes formulados para las hidrolimpiadoras.
- ◆ Pruebe siempre el detergente en una pequeña zona antes de usarlo.

### Preparación de la unidad hidrolimpiadora para el uso

**¡Advertencia!** Riesgo de inyección de fluidos y laceración. Cuando utilice el ajuste de alta presión, NO deje que la pulverización de alta presión entre en contacto con la piel o los ojos sin protección o con mascotas o animales. Podrían ocasionarse lesiones graves.

**¡Advertencia!** Antes del uso:

- ◆ Conecte el suministro de agua a la hidrolimpiadora. Para instrucciones sobre la conexión del suministro de agua a la hidrolimpiadora, consulte la sección Conexión de la manguera de jardín o de aspiración en la sección Montaje y ajustes.
- ◆ Colocar el tubo pulverizador, la botella de detergente u otro accesorio.  
Para instrucciones sobre cómo colocar el tubo de pulverización a presión, consulte Conectar el tubo pulverizador, la botella de detergente u otro accesorio en la sección Montaje y ajustes.

**Preparar la hidrolimpiadora**

**Importante:** Desconecte el bloqueo del gatillo (4), apriete el gatillo (7) y manténgalo apretado durante 30 segundos para purgar el sistema de aire. Si el chorro de agua aún tiene aire, siga pasando agua por el mango del pulverizador.

- ◆ Desactive el bloqueo del gatillo (4).
- ◆ Apriete el gatillo (7).

**Limpeza de la superficie**

**¡Advertencia!** Riesgo de lesiones por pulverización. Coloque siempre el bloqueo del gatillo cuando no vaya a utilizar la herramienta. Si no lo hace, se podría producir una pulverización accidental.

- ◆ Para encender la limpiadora, pulse el bloqueo del gatillo (4) y apriete el gatillo (7).

**Nota:** El mejor ángulo para pulverizar agua para la limpieza de una superficie es de 45°. Pulverizar de frente suele hacer que las partículas de suciedad se incrusten en la superficie. Cuando se trabaja en superficies verticales, conviene aplicar el detergente empezando desde abajo y trabajando hacia arriba, ello evita que el detergente se deslice hacia abajo causando rayas.

- ◆ Para parar la limpiadora, suelte el gatillo.

**Nota:** En caso de obstrucción de una boquilla o un acoplamiento puede producirse una presión excesiva en la bomba. Apague siempre la hidrolimpiadora y sáquele la batería antes de intentar desatascar una boquilla o un acoplador de latón.

**¡Advertencia!** Nunca extraiga agua que contenga productos químicos. Extraiga solo de fuentes de agua dulce.

**Apagado**

- ◆ Para parar la hidrolimpiadora, suelte el gatillo y extraiga la batería.
- ◆ Cierre el agua del grifo.
- ◆ Descargue la presión residual apretando el gatillo (7) hasta que no salga más agua del tubo pulverizador (9).
- ◆ Desconecte la manguera de jardín de la toma de agua (3) y la manguera de drenaje.

- ◆ Extraiga la manguera de jardín de la hidrolimpiadora tirando hacia atrás el collarín del adaptador de la manguera de conexión rápida y quitándolo del filtro de conexión rápida.

**Mantenimiento**

**¡Advertencia!** Para disminuir el riesgo de lesiones personales graves, apague la unidad y retire la batería antes de realizar ajustes o de poner o quitar acoplamientos o accesorios. El encendido accidental puede causar lesiones.

**Limpieza**

**¡Advertencia!** Sople la suciedad y el polvo de todos los conductos de aire con aire limpio y seco por lo menos una vez por semana.

Para reducir el riesgo de daños a la vista, póngase siempre una protección ocular adecuada cuando haga esta operación.

**¡Advertencia!** No utilice nunca disolventes ni otros productos químicos fuertes para limpiar las piezas no metálicas de la herramienta. Estos productos químicos pueden debilitar los materiales plásticos usados en estas piezas. Use un paño humedecido únicamente con agua y jabón suave. Nunca deje que entre ningún líquido en la herramienta ni sumerja ninguna parte de la misma en líquido.

**Boquilla**

Si la boquilla se obstruye con materiales extraños, como suciedad, se puede producir una presión excesiva.

Si la boquilla se obstruye parcialmente o se restringe, la presión de la bomba pulsará. Limpie la boquilla inmediatamente.

- ◆ Apague la hidrolimpiadora (2) y cierre el suministro de agua.
- ◆ Apriete el gatillo (7) de la empuñadura principal (1) para aliviar cualquier presión de agua.
- ◆ Retire la boquilla del tubo pulverizador (9) tirando del collarín de conexión rápida (10) hacia el tubo pulverizador.
- ◆ Libere la boquilla de cualquier obstrucción que pudiese tener.
- ◆ Haga correr el agua de un grifo o de una manguera de jardín por la boquilla.

**Botella de detergente**

- ◆ Para limpiar la botella de detergente, apague la hidrolimpiadora y cierre el suministro de agua.
- ◆ Apriete el gatillo de la empuñadura principal para aliviar la presión del agua.
- ◆ Desacople la botella de detergente (11) de la hidrolimpiadora y desensaque la boquilla de la botella de detergente.
- ◆ Para limpiar la botella de detergente (11), vacíe los restos de detergente que pudiera contener. Use el agua de una manguera de jardín para enjuagar bien la botella. Vacíe la botella y déjale secar.

- ◆ Vuelva a colocar la boquilla de la botella de jabón en la botella de jabón.

### Manguera de aspiración

- ◆ Para limpiar la manguera de aspiración (12), apague la hidrolimpiadora.
- ◆ Apriete el gatillo para aliviar cualquier presión de agua.
- ◆ Desacople la manguera de aspiración (12) de la hidrolimpiadora.
- ◆ Para limpiar la manguera de aspiración, use una manguera de jardín para enjuagar a fondo la manguera de aspiración y déjela secar.

### Filtro de la manguera de aspiración (Fig. J)

- ◆ Gire el filtro (20) del extremo de la manguera de aspiración (12) en sentido antihorario y sáquelo. Saque el tamiz del interior del filtro. Enjuague todas las piezas con agua limpia y vuelva a montarlas.

### Filtro de conexión rápida (Fig. K)

- ◆ Tire hacia atrás el collarín del adaptador de la manguera de conexión rápida y saque la manguera de jardín o de aspiración del filtro de conexión rápida ( 8 ).
- ◆ Extraiga el filtro de conexión rápida de la hidrolimpiadora.
- ◆ Dentro del filtro de conexión rápida ( 8 ) hay un filtro de pantalla ( 22 ). Retire el filtro de la pantalla y enjuáguelo con agua limpia y vuelva a montarlo.

### Almacenamiento

- ◆ Vacíe siempre completamente el agua de la manguera de aspiración, de la hidrolimpiadora, del tubo pulverizador, de las boquillas y de la botella de detergente.
- ◆ Guarde la hidrolimpiadora en un lugar seco y cubierto, con temperatura superior a la temperatura de congelación. ALMACENAMIENTO EN INTERIOR.

### Accesorios

**¡Advertencia!** Dado que los accesorios que no sean los suministrados por STANLEY FATMAX no han sido sometidos a pruebas con este producto, el uso de tales accesorios con esta herramienta podría ser peligroso. Para disminuir el riesgo de lesiones, con este producto se deben usar exclusivamente los accesorios recomendados por STANLEY FATMAX. En su distribuidor local o centro de servicio autorizado, puede adquirir los accesorios recomendados para utilizarlos con su herramienta. Si necesita ayuda para localizar cualquier accesorio, contacte con [www.blackanddecker.co.uk](http://www.blackanddecker.co.uk).

**STZHK2:** Toma de manguera SFM, KIT de adaptador de manguera

**STZSBSK3:** KIT de limpieza SFM (cepillo, escobilla de goma, botella de detergente)

**STZSW1:** Tubo corto SFM

**STZ5N1:** Boquilla 5 en 1 SFM

**STZB1:** Cubo SFM

**STZQDW:** Tubo de desconexión rápida SFM

### Protección del medioambiente



Recogida selectiva. Los productos y las baterías marcadas con este símbolo no se deben eliminar con la basura doméstica normal.

Los productos y las baterías que contienen materiales que se puedan recuperar o reciclar reducen la demanda de materias primas. Recicle los productos eléctricos y las baterías de conformidad con la normativa local.

### Datos técnicos

SFMCP93		
Presión	(BAR)	24
Flujo de agua	(l/h)	120
Batería	CC	18 V
Toma manguera		6 m
Presión de agua en entrada	(BAR)	1.4 - 6.9
Entrada de agua		Fría de grifo
Velocidad de consumo de detergente		10 % MÁX.

Charger SFMCB12		
Input Voltage	V <sub>ac</sub>	230
Output Voltage	V <sub>cc</sub>	18
Current	A	2

Battery	SFMCB202	SFMCB204	SFMCB206
Voltage	V <sub>cc</sub> 18	18	18
Capacity	Ah 2.0	4.0	6.0
Type	Li-Ion	Li-Ion	Li-Ion

Nivel de emisión de presión acústica L<sub>PA</sub>: 75,0 dB(A)  
Incertidumbre K=3 dB(A)

Nivel de potencia acústica medida L<sub>WA</sub>: 86,0 dB(A)  
Incertidumbre K=1,6 dB(A);

El abajo firmante es el responsable de la compilación del archivo técnico y realiza esta declaración en representación de STANLEY FATMAX.

*Patrick Diepenbach*

Patrick Diepenbach  
Director General, Benelux  
STANLEY FATMAX,  
Egide Walschaertsstraat 14-18  
2800 Mechelen, Bélgica  
30/11/2020

## Garantía

STANLEY FATMAX confía en la calidad de sus productos y ofrece a los consumidores una garantía de 12 meses a partir de la fecha de compra. Esta garantía es adicional a sus derechos legales y no los menoscaba en modo alguno. La garantía es válida dentro de los territorios de los Estados Miembros de la Unión Europea y del Área de Libre Comercio Europea.

Para reclamar la garantía, la reclamación deberá presentarse de conformidad con las condiciones de STANLEY FATMAX y deberá presentarse un justificante de compra al vendedor o al agente técnico autorizado. Las condiciones de la garantía de 1 año de STANLEY FATMAX y la ubicación de su agente técnico autorizado más cercano se pueden obtener en el sitio web [www.2helpU.com](http://www.2helpU.com) o poniéndose en contacto con su oficina local de STANLEY FATMAX en la dirección que se indica en este manual.

Visite nuestro sitio web [www.stanley.eu/3](http://www.stanley.eu/3) para registrar su nuevo producto STANLEY FATMAX y recibir noticias sobre nuevos productos y ofertas especiales.

## Utilização pretendida

O equipamento de limpeza a alta pressão SFMCPC93 da STANLEY FATMAX foi concebido para limpeza de barcos, automóveis, convés, acessos, grelhas, revestimentos exteriores de casas, motocicletas, pátios e mobiliário exterior. Estas ferramentas destinam-se apenas a utilização doméstica.

## Instruções de segurança

**Atenção!** Ao utilizar equipamentos eléctricos/sem fios, deve sempre cumprir as medidas de segurança básicas, incluindo as seguintes, de modo a reduzir os riscos de incêndio, choque eléctrico e danos pessoais e materiais.



Nunca aponte o jacto de água a pessoas, animais, à máquina ou a componentes eléctricos.

**Atenção!** Os jactos de alta pressão podem ser perigosos se forem sujeitos a utilização indevida.



De acordo com os regulamentos aplicáveis, o equipamento nunca deve ser utilizado na rede de água potável sem um separador de sistema. Utilize um separador de acordo com a norma IEC 61770 tipo BA.

O fluxo de água proveniente de um separador de sistema não é potável.

- ◆ Leia com atenção todo o manual antes de utilizar o equipamento.
- ◆ A utilização prevista para este equipamento está descrita no manual.

A utilização de qualquer acessório ou a execução de qualquer operação com este equipamento que não esteja incluída no presente manual de instruções pode representar um risco de ferimentos pessoais.

- ◆ Guarde este manual para referência futura.

## Utilizar o equipamento

Tenha sempre cuidado quando utilizar este equipamento.

- ◆ O líquido ou o vapor não devem ser direccionados para equipamento que contenha componentes eléctricos, como, por exemplo, o interior de fornos.
- ◆ O equipamento não deve ser utilizado se tiver sofrido uma queda, se houver sinais visíveis de danos ou se tiver.
- ◆ Utilize sempre óculos ou viseiras de protecção.
- ◆ Não permita que crianças, pessoas com capacidade físicas, sensoriais ou mentais reduzidas ou falta de experiência ou conhecimentos ou não familiarizadas com estas instruções utilizem a máquina. Os regulamentos locais podem restringir a idade do operador. Nunca utilize a máquina enquanto estiverem pessoas, em especial crianças, ou animais nas proximidades.
- ◆ Não deixe crianças ou animais aproximarem-se da área de trabalho ou tocarem no equipamento ou no cabo de alimentação.

- ◆ É necessária uma supervisão atenta se o equipamento for utilizado perto de crianças.
- ◆ Este equipamento não deve ser utilizado por jovens ou doentes sem supervisão.
- ◆ Este equipamento não deve ser utilizado como um brinquedo.
- ◆ Utilize apenas o equipamento à luz do dia ou com uma boa luz artificial.
- ◆ Utilize-o apenas num local seco. Não permita que o equipamento fique molhado.
- ◆ Evite utilizar o equipamento em condições meteorológicas adversas, especialmente se houver risco de relâmpagos.
- ◆ Não mergulhe o equipamento em água.
- ◆ Não abra a caixa do equipamento. Não existem peças para manipulação pelo utilizador no interior.
- ◆ Não utilize o equipamento em áreas com risco de explosão, nas quais se encontrem líquidos, gases ou poeiras inflamáveis.
- ◆ O equipamento só pode ser utilizado com a fonte de alimentação fornecida com o mesmo.

## Riscos residuais.

Podem surgir riscos residuais adicionais durante a utilização da ferramenta, que podem não constar nos avisos de segurança incluídos.

Estes riscos podem resultar de má utilização, uso prolongado, etc.



Mesmo com o cumprimento dos regulamentos de segurança relevantes e com a implementação de dispositivos de segurança, alguns riscos residuais não podem ser evitados.

Estes incluem:

- ◆ Ferimentos causados pelo contacto com peças em rotação/movimento.
- ◆ Ferimentos causados durante a troca de peças, lâminas ou acessórios.
- ◆ Ferimentos causados pela utilização prolongada de uma ferramenta. Se utilizar uma ferramenta durante períodos prolongados, certifique-se de que faz pausas regularmente.
- ◆ Danos auditivos.
- ◆ Problemas de saúde causados pela inalação de poeiras resultantes da utilização da ferramenta (exemplo: trabalhos em madeira, especialmente carvalho, faia e MDF).

### **Após a utilização**

- ◆ Quando não for utilizado, o equipamento deve ser guardado num local seco e com boa ventilação, fora do alcance das crianças.
- ◆ As crianças não devem ter acesso a equipamentos armazenados.
- ◆ Quando o equipamento for guardado ou transportado num veículo, deverá ser colocado na bagageira ou fixo de forma a evitar o movimento devido a alterações súbitas na velocidade ou direcção.

### **Inspeção e reparações**

- ◆ Antes da utilização, verifique a existência de peças danificadas ou avariadas no equipamento. Verifique se existem peças partidas e quaisquer outras situações que possam afectar o bom funcionamento.
- ◆ Não utilize o equipamento se alguma das peças se encontrar danificada ou avariada.
- ◆ Mandar reparar ou substituir quaisquer peças danificadas ou avariadas por um técnico de reparação autorizado.
- ◆ Nunca tente retirar ou substituir quaisquer peças que não sejam as especificadas neste manual.

### **Instruções de segurança adicionais para equipamentos de limpeza a alta pressão**

A utilização prevista para este equipamento está descrita no manual. A utilização de qualquer acessório ou a realização de qualquer operação com este equipamento que não se inclua no presente manual de instruções pode representar um risco de ferimentos pessoais e/ou danos materiais.

- ◆ Para proteger os pés e pernas durante a utilização do equipamento, use sempre calçado resistente e reforçado e calças compridas.
- ◆ Desligue sempre o produto, aguarde até a ventoinha parar e retire a bateria se:
- ◆ Deixar o equipamento sem vigilância.
  - ◆ Limpar um obstáculo.

- ◆ Verificar, ajustar, limpar ou trabalhar com o equipamento.
- ◆ Se o equipamento começar a vibrar anormalmente.
- ◆ Não coloque a entrada ou saída do equipamento de limpeza a alta pressão perto dos olhos ou ouvidos durante a utilização. Nunca aponte na direcção de pessoas que se encontram nas proximidades.
- ◆ Se estiver a chover, não utilize o equipamento nem o deixe no exterior.
- ◆ Não atravesse caminhos ou estradas de gravilha quando o equipamento estiver ligado. Caminhe, nunca corra.
- ◆ Não coloque a unidade na gravilha enquanto estiver ligada.
- ◆ Tenha sempre cuidado ao deslocar-se, especialmente em terrenos inclinados. Não tente chegar a pontos fora do alcance e mantenha sempre o equilíbrio.
- ◆ Não coloque quaisquer objectos nas aberturas do equipamento. Nunca utilize o equipamento se as aberturas estiverem obstruídas. Retire quaisquer cabelos, algodão, pó ou outros objectos que possam reduzir a circulação do ar longe das aberturas.

**Atenção!** Utilize sempre o equipamento da forma descrita neste manual.

O equipamento foi concebido para ser utilizado de um modo vertical e se for utilizado de outro modo pode provocar danos pessoais. Nunca coloque o equipamento em funcionamento quando estiver pousado lateralmente ou virado ao contrário.

- ◆ O utilizador é responsável por acidentes ou perigos que possam ocorrer a outras pessoas ou bens.
- ◆ Não utilize solventes ou líquidos de limpeza para limpar o equipamento. Utilize uma raspadeira para remover a relva e a sujidade.
- ◆ Verifique regularmente o saco de recolha quanto a indícios de desgaste ou deterioração.
- ◆ As ventoinhas de substituição estão disponíveis no seu agente STANLEY FATMAX. Utilize apenas peças de substituição e acessórios recomendados pela STANLEY FATMAX.
- ◆ Mantenha todas as porcas, parafusos e pernos do equipamento apertados para assegurar um bom funcionamento.

## Segurança de terceiros

- ◆ Este equipamento não deve ser utilizado por pessoas (incluindo crianças) com capacidades físicas, sensoriais ou mentais reduzidas ou com falta de experiência e conhecimentos, a menos que sejam acompanhadas ou tenham recebido formação sobre a utilização deste equipamento por uma pessoa responsável pela sua segurança.
- ◆ As crianças devem ser vigiadas para que não mexam no equipamento.

## Instruções de segurança adicionais para baterias e carregadores

### Baterias

- ◆ Nunca tente abrir a bateria, seja qual for o motivo.
- ◆ Não exponha a bateria à água.
- ◆ Não armazene em locais onde a temperatura possa exceder os 40 °C.
- ◆ Carregue apenas a temperaturas ambiente entre 10 °C e 40 °C.
- ◆ Carregue apenas com o carregador fornecido com a ferramenta.
- ◆ Ao eliminar as baterias, siga as instruções indicadas na secção “Protecção do ambiente”.

### Carregadores

- ◆ Utilize o seu carregador STANLEY FATMAX apenas para carregar a bateria da ferramenta com que foi fornecido. Outras baterias podem rebentar, provocando ferimentos e danos.
- ◆ Nunca tente carregar baterias não recarregáveis.
- ◆ Substitua os cabos defeituosos imediatamente.
- ◆ Não exponha o carregador à água.
- ◆ Não abra o carregador.
- ◆ Não manipule o interior do carregador.



O carregador deverá ser utilizado apenas em espaços interiores.



Antes da utilização, leia o manual de instruções.

## Segurança eléctrica



- ◆ O carregador tem isolamento duplo. Por esse motivo, não necessita de ligação à terra. Verifique sempre se a tensão de alimentação corresponde à tensão indicada na placa sinalética. Nunca substitua a unidade do carregador por uma tomada de alimentação normal.
- ◆ Se o cabo de alimentação estiver danificado, tem de ser substituído pelo fabricante ou por um centro de assistência autorizado STANLEY FATMAX para evitar acidentes.

### Etiquetas no equipamento

Os seguintes símbolos de aviso apresentam os seguintes símbolos de aviso juntamente com o código de data:



Antes de utilizar o equipamento, leia o manual.



Utilize óculos ou viseiras de protecção quando utilizar este equipamento.



Utilize protecções auditivas adequadas quando utilizar o equipamento.



Retire sempre a bateria do equipamento antes de efectuar qualquer tarefa de limpeza ou manutenção.



Não exponha o equipamento a chuva ou a humidade elevada.



A potência sonora está em conformidade com a Directiva 2000/14/CE.

### Funcionalidades

Este equipamento inclui todos ou parte dos seguintes acessórios.

1. Cabo principal
2. Unidade do equipamento de limpeza a alta pressão
3. Admissão de água
4. Bloqueio do gatilho

5. Patilha de libertação das pilhas
6. Bateria
7. Gatilho para ligar/desligar
8. Filtro de encaixe rápido (incluído)
9. Vareta de encaixe rápido do equipamento de limpeza a alta pressão (incluída STZQDW1)
10. Bico 5 em 1 (incluído STZ5N1)
11. Garrafa de sabão líquido (acessório STZSBSK3: conjunto de limpeza)
12. Mangueira de aspiração (incluída STZIHK2)
13. Conector da mangueira de encaixe rápido (incluído STZIHK2)
14. Válvula de flutuador (incluída STZIHK2)
15. Adaptador para mangueira de jardim (incluído)
16. Vareta curta (acessório STZSW1)
17. Escova (acessório STZSBSK3: conjunto de limpeza)
18. Rodo (acessório STZSBSK3: conjunto de limpeza)
19. Balde (acessório STZB1)

## Carregar a pilha

Os carregadores da STANLEY FATMAX são concebidos para carregar baterias da STANLEY FATMAX.

- ◆ Ligue o carregador a uma tomada adequada.
- ◆ Insira a bateria totalmente carregada. O indicador luminoso de carga verde pisca de maneira contínua durante o carregamento.
- ◆ O carregamento é concluído se o indicador luminoso de carga verde ficar ligado de maneira contínua. Pode deixar a bateria no carregador ou retirá-la.
- ◆ Recarregue as baterias descarregadas assim que possível após a utilização, caso contrário a duração da bateria pode diminuir consideravelmente. Para uma maior duração da bateria, não a descarregue por completo. Recomenda-se que as baterias sejam carregadas após cada utilização.

## Diagnóstico do carregador

Este carregador foi concebido para detectar determinados problemas que possam surgir com baterias ou a fonte de alimentação. Os problemas são indicados pela iluminação de um LED intermitente com diferentes padrões.

## Problemas na bateria

O carregador permite detectar uma bateria fraca ou danificada. Este LED pisca com o padrão indicado na etiqueta. Se aparecer este padrão intermitente de problemas na bateria, interrompa o carregamento da bateria. Entregue-a num centro de assistência ou num local de recolha para reciclagem.

## Retardação de calor/frio da bateria

Quando o carregador detecta que uma bateria está demasiado quente ou fria, inicia automaticamente a retardação de calor/frio, interrompendo o processo de carga até a bateria normalizar. Em seguida, o carregador muda automaticamente para o modo Carregar a bateria. Esta função assegura a duração máxima da bateria. Este indicador luminoso pisca com o padrão indicado na etiqueta.

## Deixar a bateria no carregador

O carregador e a bateria podem permanecer ligados com o LED aceso indefinidamente. O carregador irá manter a bateria completamente carregada.

Este carregador inclui um modo de regulação automática que nivela ou equilibra as células individuais na bateria para que funcione com a capacidade máxima.

As baterias devem ser reguladas todas as semanas ou se a bateria não fornecer o mesmo volume de trabalho. Para utilizar o modo de regulação automática, coloque a bateria no carregador e deixe-a aí durante pelo menos 8 horas.

## Notas importantes sobre carregamento

- ◆ É possível aumentar a duração da bateria e obter o melhor desempenho se esta for carregada a uma temperatura ambiente que se situe entre os 18 ° e 24 °C. NÃO carregue a bateria se a temperatura ambiente for inferior a +4,5 °C ou superior a +40 °C. Este requisito é importante e impede danos graves na bateria.
- ◆ O carregador e a bateria podem ficar demasiado quentes durante o carregamento. Isto é normal e não representa um problema. Para facilitar o arrefecimento da bateria após a utilização, evite colocar o carregador ou a bateria num local quente, como num barracão metálico ou num reboque não isolado.
- ◆ Se a bateria não carregar correctamente:
  - ◆ Verifique o funcionamento do receptáculo, ligando uma lâmpada ou outro equipamento;
  - ◆ Verifique se o receptáculo está ligado a um interruptor que se desliga quando desliga as luzes;
  - ◆ Coloque o carregador e a bateria num local onde a temperatura do ar ambiente seja de aproximadamente 18 ° a 24 °C;
  - ◆ Se os problemas de carregamento persistirem, leve a ferramenta, a bateria e o carregador para um centro de assistência local.
  - ◆ A bateria deve ser recarregada se não fornecer energia suficiente durante trabalhos que tenham sido efectuados facilmente. NÃO CONTINUE a utilizar o equipamento nestas condições. Siga o procedimento de carregamento. Pode também carregar uma bateria parcialmente utilizada sempre que quiser, porque não afecta a bateria.

- ◆ Materiais estranhos de natureza condutora, tais como, mas não limitados a, pó polido, aparas de metal, lâ de aço, alumínio em folha ou qualquer acumulação de partículas metálicas devem ser mantidos afastados do compartimento do carregador. Desligue o carregador antes de proceder à limpeza.
- ◆ Não congele nem coloque o carregador dentro de água ou de outros líquidos.

### Instalar a bateria (Fig. G)

**Nota:** Para obter os melhores resultados, certifique-se de que a bateria (6) está totalmente carregada.

- ◆ Levante e segure na tampa do compartimento da bateria (6b) para ter acesso ao compartimento da bateria (6c).
- ◆ Alinhe a bateria com as patilhas no interior do respectivo compartimento da ferramenta (6c) e encaixe-a no compartimento até a bateria ficar encaixada com firmeza na ferramenta e certifique-se de que não se solta.
- ◆ Feche a tampa do compartimento da bateria (6b). Certifique-se de que a tampa está encaixada na respectiva posição antes de ligar a ferramenta.

### Retirar a bateria (Fig. G)

- ◆ Levante e segure na tampa do compartimento da bateria (6b) para ter acesso à bateria (6).
- ◆ Pressione o botão de libertação (6a) na bateria (6) e puxe com firmeza a bateria para fora da ferramenta.
- ◆ Insira a bateria no carregador, como descrito na secção do carregador indicada neste manual.

### Montagem

**Atenção!** Para reduzir o risco de ferimentos graves, desligue a unidade e retire a bateria antes de efectuar quaisquer ajustes ou de retirar/instalar dispositivos complementares ou acessórios. Um arranque accidental pode causar ferimentos.

### Instalar o filtro de encaixe rápido (Fig. A)

Este equipamento de limpeza a alta pressão deve ser utilizado com adaptadores de encaixe rápido. A mangueira de jardim ou de aspiração só pode ser montada depois de instalar o filtro de encaixe rápido (8).

- ◆ Para ligar o filtro de encaixe rápido (8) ao equipamento de limpeza a alta pressão (2), insira a extremidade do filtro de encaixe rápido na admissão de água (3). Aperte o filtro de encaixe rápido à mão.

**Nota:** Evite uma instalação transversal quando instalar a mangueira. Este tipo de instalação causa fugas.

### Montar as varetas de pulverização, garrafa de sabão líquido ou outros acessórios (Fig. B)

A vareta de pulverização, garrafa de sabão líquido e outros acessórios (vendidos em separado) são ligados ao equipamento de limpeza a alta pressão.

Para ligar as varetas de pulverização (9) (16) e a garrafa de sabão líquido (11) ao equipamento de limpeza a alta pressão (2):

- ◆ Insira a extremidade do acessório na abertura do equipamento de limpeza a alta pressão (2). Empurre e rode o acessório para a direita até ficar apertado na posição de trabalho.
- ◆ Para retirar o acessório, empurre e rode o acessório para a esquerda e puxe do equipamento de limpeza a alta pressão (2).

**Nota:** Estão disponíveis outros acessórios para utilização com este equipamento de limpeza a alta pressão, consulte a secção Acessórios.

### Instalar a mangueira de jardim ou de aspiração (Fig. C, D)

A ligação da mangueira de jardim ou de aspiração varia consoante a tarefa a efectuar.

### Instalar a mangueira de jardim (Fig. C)

Este equipamento de limpeza a alta pressão deve ser utilizado com adaptadores de encaixe rápido.

- ◆ Para ligar o adaptador para mangueira de encaixe rápido (13) a uma mangueira de jardim, enrosque o adaptador para mangueira de encaixe rápido na extremidade da mangueira de jardim. Aperte a mangueira de jardim à mão.

**Nota:** Evite uma instalação transversal quando instalar a mangueira. Este tipo de instalação causa fugas.

**Nota:** Antes de ligar a mangueira de jardim ao equipamento de limpeza a alta pressão, ligue a água à mangueira de jardim durante trinta segundos para retirar resíduos do bocal da mangueira de jardim de alta pressão.

- ◆ Para ligar o adaptador para mangueira de encaixe rápido (16) ao filtro de encaixe rápido (3) no equipamento de limpeza a alta pressão (2), empurre o adaptador para mangueira de encaixe rápido.

**Nota:** Antes de utilizar, puxe ligeiramente a mangueira de jardim para verificar se a ligação está bem apertada. Certifique-se de que o adaptador para mangueira de encaixe rápido está encostado ao filtro de encaixe rápido, como indicado na Figura D.

- ◆ Após a utilização, desligue sempre a mangueira de jardim. Para desligar, puxe para trás o anel no adaptador para encaixe rápido e retire-o do filtro de encaixe rápido.

### Instalar a mangueira de aspiração (Fig. C, E)

Utilize a mangueira de aspiração para retirar a água de um balde ou outra fonte de água doce.

**Nota:** Não utilize a mangueira para aspirar sabão, produtos químicos, sujidade ou líquidos corrosivos, como produto de limpeza para janelas, alimentos vegetais, fertilizantes ou lixívia. Não utilize água salgada.

- ◆ Para ligar o adaptador para mangueira de encaixe rápido (13) na extremidade da mangueira de aspiração ao filtro de encaixe rápido (3) no equipamento de limpeza a alta pressão (2), empurre o adaptador para mangueira de encaixe rápido com firmeza no filtro de encaixe rápido.

**Nota:** Antes de utilizar, puxe ligeiramente a mangueira de jardim para verificar se a ligação está bem apertada. Certifique-se de que o adaptador para mangueira de encaixe rápido na extremidade da mangueira de aspiração está encostado ao filtro de encaixe rápido, como indicado na Figura E.

- ◆ Coloque a outra extremidade da mangueira de aspiração com o filtro no recipiente de água fresca ou numa fonte de água doce. Regule a válvula de fluviador na mangueira de aspiração para que o filtro fique dentro do líquido.
- ◆ Seleccione o bico correcto a utilizar. Consulte o parágrafo Como utilizar o bico de pulverização múltipla.
- ◆ Quando terminar a tarefa, coloque a mangueira de aspiração no recipiente de água doce e enxágue o sistema com água doce.

## Como montar o bico 5 em 1 na vareta de pulverização

**Atenção!** Risco de injeção do fluido. Não aponte o jacto de descarga para pessoas, pele desprotegida, olhos ou animais. Podem ocorrer ferimentos graves.

**Atenção!** Os objectos projectados podem causar riscos de ferimentos graves. NÃO substitua os bocais quando o equipamento de limpeza a alta pressão estiver ligado. Antes de substituir os bocais, desligue o equipamento de limpeza a alta pressão.

- ◆ Para ligar o bico (10) na vareta de pulverização (9), puxe o anel de encaixe rápido na direcção da vareta de pulverização e insira o bico.
- ◆ Liberte o anel de encaixe rápido para fixar o bico no respectivo local.
- ◆ Para garantir a fixação do bico, aperte o bico com firmeza depois de encaixar o anel de encaixe rápido no respectivo local.

## Como utilizar a vareta de pulverização (Fig. F)

O equipamento de limpeza a alta pressão inclui um bico de pulverização 5 em 1 (10) variável.

- ◆ Para regular a pressão do bico de pulverização variável (10), rode a ponta para a direita ou para a esquerda para obter o fluxo pretendido.
  - ◆ A pulverização estreita é adequada para limpar grelhas, acessos e alvenaria.
  - ◆ A pulverização alargada é adequada para limpar convés, vinil, superfícies pintadas, autocaravanas e estuque.

**Nota:** O jacto a alta pressão do equipamento de limpeza a alta pressão pode causar danos em superfícies como madeira, vidro, tinta para automóveis, decapagem de automóveis e objectos delicados, como flores e arbustos. Antes de pulverizar, verifique o que pretende limpar para garantir que tem resistência suficiente para resistir aos danos da força do jacto.

## Posição correcta das mãos (Fig. H)

**Atenção!** Para reduzir o risco de ferimentos graves, utilize SEMPRE a ferramenta com as suas mãos na posição correcta, tal como exemplificado na figura.

**Atenção!** Para reduzir o risco de ferimentos graves, segure SEMPRE a ferramenta com segurança, antecipando uma reacção súbita por parte da mesma.

A posição correcta das mãos requer a colocação de uma mão no punho principal (1) e a outra mão no equipamento de limpeza a alta pressão (2), como indicado.

## Limpeza a alta pressão

### Preparar a superfície para limpeza

- ◆ Retire da área os objectos que possam dar origem a situações de risco.
- ◆ Verifique se todas as portas e janelas estão bem fechadas. Proteja todas as plantas e árvores na área adjacente com uma tela para garantir que não são danificadas pelo excesso de pulverização.
- ◆ Enxágue primeiro a área de limpeza com água doce.
- ◆ Utilize apenas detergentes criados para anilhas de pressão.
- ◆ Antes de utilizar, teste sempre o detergente numa área discreta.

### Preparar o equipamento de limpeza a alta pressão para utilização

**Atenção!** Risco de injeção de fluido e laceração. Quando utilizar a regulação de alta pressão, NÃO permita que o jacto a alta pressão entre em contacto com pele ou olhos desprotegidos ou com animais. Podem ocorrer ferimentos graves.

**Atenção!** Antes de utilizar:

- ◆ Ligue a fonte de água ao equipamento de limpeza a alta pressão. Para obter instruções sobre como ligar a fonte de água ao equipamento de limpeza a alta pressão, consulte a secção Montar a mangueira de jardim ou de aspiração em Montagem e ajustes.
- ◆ Ligue a vareta de pulverização a alta pressão, garrafa de sabão líquido ou outros acessórios. Para obter instruções sobre como ligar a vareta de pulverização a alta pressão, consulte a secção Instalar a vareta de pulverização, garrafa de sabão líquido ou outros acessórios em Montagem e ajustes.

## Preparar o equipamento de limpeza a alta pressão

**Importante:** Desencaixe o sistema de desbloqueio do gatilho (4), aperte o gatilho (7) e mantenha-o premido durante 30 segundos para purgar o sistema de ar. Se mesmo assim houver ar no vapor de água, continue a deitar água através da pega de pulverização.

- ◆ Desengate o sistema de desbloqueio do gatilho (4).
- ◆ Carregue no gatilho (7).

## Limpar superfícies

**Atenção!** Risco de danos causados por pulverização. Engate sempre o sistema de bloqueio do gatilho quando não utilizar a pistola. Se o não fizer, isso pode causar pulverização acidental.

- ◆ Para ligar o equipamento de limpeza a alta pressão, desengate o sistema de desbloqueio do gatilho (4) e aperte o gatilho (7).

**Nota:** O ângulo mais adequado para pulverizar água numa superfície de limpeza é de 45°. A pulverização directa pode fazer com que as partículas de sujidade tem tendência fiquem incrustadas na superfície. Quando trabalhar em superfícies verticais, é aconselhável utilizar o detergente do fundo para cima, para impedir que este deslize para baixo e faça riscas.

- ◆ Para parar o equipamento de limpeza a alta pressão, liberte o gatilho.

**Nota:** O excesso de pressão na bomba pode fazer com que o bocal ou o acoplamento de bronze fique obstruído.

Antes de desobstruir um bico ou um acoplamento de bronze, desligue sempre o equipamento de limpeza a alta pressão e retire a bateria.

**Atenção!** Nunca retire água que contenha produtos químicos. Retire água apenas de fontes de água doce.

## Encerramento

- ◆ Para parar o equipamento de limpeza a alta pressão, liberte o gatilho e retire a bateria.
- ◆ Desligue a torneira.
- ◆ Carregue no gatilho (7) para libertar a pressão residual até deixar de sair água da vareta de pulverização (9).
- ◆ Desligue a mangueira de jardim da admissão de água (3) e drene a mangueira.
- ◆ Para retirar a mangueira de jardim do equipamento de limpeza a alta pressão, puxe para trás o anel do adaptador para mangueira de encaixe rápido e retire-o do filtro de encaixe rápido.

## Manutenção

**Atenção!** Para reduzir o risco de ferimentos graves, desligue a unidade e retire a bateria antes de efectuar quaisquer ajustes ou de retirar/instalar dispositivos complementares ou acessórios. Um arranque acidental pode causar ferimentos.

## Limpeza

**Atenção!** Retire a sujidade e o pó de todas as entradas de ar com ar limpo e seco, pelo menos uma vez por semana.

Quando efectuar este procedimento, use sempre protecção ocular adequada para minimizar o risco de lesões oculares.

**Atenção!** Nunca utilize dissolventes ou outros químicos abrasivos para limpar as peças não metálicas da ferramenta. Estes produtos químicos podem enfraquecer os plásticos utilizados nestas peças. Utilize um pano humedecido apenas com água e sabão suave. Nunca deixe entrar líquidos dentro da ferramenta. Da mesma forma, nunca mergulhe qualquer peça da ferramenta num líquido.

## Bico

Se o bico ficar obstruído com materiais estranhos, como sujidade, pode ocorrer excesso de pressão.

Se o bico ficar parcialmente obstruído ou restringido, a pressão da bomba vai aumentar. Limpe o bico de imediato.

- ◆ Desligue o equipamento de limpeza a alta pressão (2) e a fonte de água.
- ◆ Puxe o gatilho (7) no punho principal (1) para reduzir a pressão da água.
- ◆ Retire o bico da vareta de pulverização (9) puxando o anel de encaixe rápido (10) na direcção da vareta de pulverização.
- ◆ Limpe os resíduos do bico.
- ◆ Limpe o bico com água da torneira ou a mangueira de jardim.

## Garrafa de sabão líquido

- ◆ Para limpar a garrafa de sabão líquido, desligue o equipamento de limpeza a alta pressão e a fonte de água.
- ◆ Puxe o gatilho no punho da pistola para reduzir a pressão da água.
- ◆ Desencaixe a garrafa de sabão líquido (11) do equipamento de limpeza a alta pressão e desaperte o bico da garrafa de sabão líquido.
- ◆ Para limpar a garrafa de sabão líquido (11), deite o resto de detergente no recipiente. Utilize água de uma mangueira de jardim para enxaguar bem a garrafa. Esvazie a garrafa e deixe-a a secar.
- ◆ Volte a montar o bico na garrafa de sabão líquido.

## Mangueira de aspiração

- ◆ Para limpar a mangueira de aspiração (12), desligue o equipamento de limpeza a alta pressão.
- ◆ Puxe o gatilho para reduzir a pressão da água.
- ◆ Desencaixe a mangueira de aspiração (12) do equipamento de limpeza a alta pressão.
- ◆ Para limpar a mangueira de aspiração, utilize água de uma mangueira de aspiração para enxaguar bem a mangueira de aspiração e deixe-a a secar.

### Filtro da mangueira de aspiração (Fig. J)

- ◆ Rode o filtro (20) na extremidade da mangueira de aspiração (12) para a esquerda e retire-o. Retire o coador do interior do filtro. Limpe todas as peças com água doce e monte novamente.

### Filtro de encaixe rápido (Fig. K)

- ◆ Retire o anel no adaptador para mangueira de encaixe rápido e retire a mangueira de jardim ou aspiração do filtro de encaixe rápido ( 8 ).
- ◆ Retire o filtro de encaixe rápido do equipamento de limpeza a alta pressão.
- ◆ Há um filtro de cortina ( 22 ) do filtro de encaixe rápido (8). Retire o filtro de cortina, lave com água doce e volte a montar.

### Armazenamento

- ◆ Retire por completo a água da mangueira de aspiração, equipamento de limpeza a alta pressão, vareta de pulverização e da garrafa de sabão líquido.
- ◆ Armazene num local seco e coberto a uma temperatura superior à de congelamento. ARMAZENE EM INTERIORES.

### Acessórios

**Atenção!** Uma vez que foram testados apenas neste produto os acessórios disponibilizados STANLEY FATMAX, a utilização de outros acessórios com esta ferramenta pode ser perigosa. Para reduzir o risco de ferimentos, devem ser utilizados apenas os acessórios recomendados pela STANLEY FATMAX com este produto.

Os acessórios recomendados para uso com a ferramenta estão disponíveis, mediante um custo adicional, no seu fornecedor local ou centro de assistência autorizado. Se necessitar de ajuda para encontrar algum acessório, acesse ao Website [www.blackanddecker.co.uk](http://www.blackanddecker.co.uk).

- STZIHK2:** Mangueira de entrada da SFM, conjunto de adaptadores para mangueiras
- STZSBSK3:** Conjunto de limpeza da SFM (escova, rodo, garrafa de sabão líquido)
- STZSW1:** Vareta curta da SFM
- STZ5N1:** Bico 5 em 1 da SFM
- STZB1:** Balde da SFM
- STZQDW:** Vareta de desencaixe rápido da SFM

### Protecção do ambiente



Faça uma recolha de lixo selectiva. Os produtos e baterias assinalados com este símbolo não devem ser eliminados em conjunto com resíduos domésticos normais.

Os produtos e as baterias contêm materiais que podem ser recuperados ou reciclados, reduzindo assim a necessidade de matérias-primas. Recicle os produtos eléctricos e as baterias de acordo com as disposições locais.

### Dados técnicos

		SFMCPC93
Pressão	(BAR)	24
Fluxo de ar	(l/h)	120
Bateria	DC	18 V
Mangueira de entrada		6 m
Pressão da admissão de água	(BAR)	1,4 - 6,9
Admissão de água		Torneira de água fria
Percentagem de consumo de sabão		MÁX. DE 10 %

Charger		SFMCB12
Input Voltage	V <sub>cc</sub>	230
Output Voltage	V <sub>cc</sub>	18
Current	A	2

Battery		SFMCB202	SFMCB204	SFMCB206
Voltage	V <sub>cc</sub>	18	18	18
Capacity	Ah	2.0	4.0	6.0
Type		Li-Ion	Li-Ion	Li-Ion

Nível de emissão de pressão sonora L<sub>PA</sub>: 75,0 dB(A)  
K de variabilidade = 3 dB(A)

Nível de potência sonora medido L<sub>WA</sub>: 86,0 dB(A)  
K de variabilidade = 1,6 dB(A);

O signatário é responsável pela compilação do ficheiro técnico e efetua esta declaração em nome da STANLEY FATMAX.

*Patrick Diepenbach*

Patrick Diepenbach  
Director-Geral, Benelux  
Black and Decker,  
Egide Walschaertsstraat 14-18  
2800 Mechelen, Bélgica  
30/11/2020

### Garantia

A STANLEY FATMAX confia na qualidade dos seus produtos e oferece aos clientes uma garantia de 12 meses a partir da data de compra.



Esta garantia é um complemento dos seus direitos estabelecidos por lei, não os prejudicando de forma alguma. A garantia é válida nos Estados-membros da União Europeia e nos países-membros da Zona Europeia de Comércio Livre. Para accionar a garantia, esta deve estar em conformidade com os termos e condições da STANLEY FATMAX e terá de apresentar comprovativos de compra ao vendedor ou a um agente de reparação autorizado. Os termos e condições da garantia de 1 ano da STANLEY FATMAX e a localização do agente de reparação autorizado mais próximo pode ser obtido na Internet em [www.2helpU.com](http://www.2helpU.com) ou contactando uma filial da STANLEY FATMAX, cuja morada está indicada neste manual. Visite o nosso Website [www.stanley.eu/3](http://www.stanley.eu/3) para registar o novo produto STANLEY FATMAX e receber actualizações sobre novos produtos e ofertas especiais.

### Avsedd användning

Din STANLEY FATMAX SFMCPC93 högtryckstvätt har utformats för rengöring av båtar, bilar, däck, uppfart, grillar, husväggar, motorcyklar, uteplatser och utemöbler. Dessa apparater är endast avsedda för konsumentbruk.

## Säkerhetsinstruktioner

**Varning!** Vid användning av nätdrivna och sladdlösa apparater ska grundläggande säkerhetsföreskrifter, inklusive följande föreskrifter, alltid följas. Detta för att förhindra brand, stötar, personskador och materialskador.



Rikta aldrig vattenstrålen mot människor, djur, maskinen eller elektriska komponenter.

**Varning!** Högtrycksstrålar kan vara farliga om de utsätts för felaktig användning.



Enligt gällande bestämmelser får apparaten aldrig användas i dricksvattennätet utan systemseparator. Använd en separator enligt IEC 61770 typ BA.

Vatten som strömmar genom en systemseparator anses inte vara drickbart.

- ◆ Läs hela den här bruksanvisningen noggrant innan du börjar använda apparaten.
- ◆ Avsedd användning beskrivs i den här bruksanvisningen. Använd inte apparaten med andra tillbehör eller tillsatser än de som rekommenderas i den här bruksanvisningen eftersom detta kan leda till personskador.
- ◆ Spara den här bruksanvisningen för framtida bruk.

## Använda apparaten

Var alltid försiktig när du använder apparaten.

- ◆ Vätskan eller ångan får inte riktas mot utrustning som innehåller elektriska komponenter, t.ex. de invändiga ytorna i ugnar.
- ◆ Apparaten skall inte användas om den tappats, om det finns synliga skador eller om den.
- ◆ Använd alltid säkerhetsglasögon eller skyddsglasögon.

- ◆ Låt aldrig barn, personer med reducerad sensorisk eller mental kapacitet eller utan erfarenhet eller kunskap eller personer som är obekant med dessa instruktioner använda maskinen, lokala bestämmelser kan begränsa åldern hos operatören. Använd inte maskinen i närheten av andra människor, främst barn eller husdjur.
- ◆ Låt inte barn eller djur komma i närheten av arbetsområdet. Låt dem inte heller röra vid redskapet eller elsladden.
- ◆ Om det finns barn i närheten när du använder redskapet ska du övervaka dem noga.
- ◆ Apparaten är inte avsedd användas av unga eller oerfarna personer utan övervakning.
- ◆ Detta redskap ska inte användas som leksak.
- ◆ Använd endast apparaten i dagsljus eller i tillräcklig artificiell belysning.
- ◆ Använd endast på torra platser. Se till att apparaten inte blir våt.
- ◆ Undvik att använda apparaten under dåliga väderförhållanden, särskilt när det är risk för åska.
- ◆ Doppa aldrig ned apparaten i vatten.
- ◆ Öppna inte höljet. Det finns inga servicebara delar inuti.
- ◆ För att undvika explosionsrisk bör du inte använda redskapet i omgivningar med brandfarliga vätskor, gaser eller damm.

- ◆ Apparaten får bara användas med den strömkälla som levereras med apparaten.

## Övriga risker.

Ytterligare risker som inte finns med i de bifogade säkerhetsanvisningarna kan uppstå när verktyget används.

Dessa risker kan uppstå vid felaktig eller långvarig användning, etc.

Även om alla relevanta säkerhetsanvisningar följs och säkerhetsanordningar används kan vissa risker inte undvikas.

Dessa omfattar:

- ◆ Skador orsakade av att roterande delar vidrörs.
- ◆ Skador som uppstår vid byte av delar, blad eller tillbehör.
- ◆ Skador som orsakas av långvarig användning av ett verktyg. Se till att regelbundet ta vilopauser när du använder ett verktyg under en längre period.
- ◆ Hörselnedsättning.
- ◆ Hälsorisker orsakade av inandning av damm när redskapet används (exempel: arbete med trä, särskilt ek, bok och MDF)

## Efter användning

- ◆ När det inte används bör redskapet förvaras utom räckhåll för barn på en torr plats med god ventilation.
- ◆ Placera apparaten på ett ställe där barn inte kan komma åt den.

- ◆ När apparaten förvaras eller transporteras i en bil, ska den placeras i bagageutrymmet eller spännas fast för att förhindra rörelse till följd av plötsliga ändringar i hastighet eller riktning.

## Kontroll och reparationer

- ◆ Kontrollera att apparaten inte är skadad eller har defekta delar. Kontrollera att inga delar är trasiga och att inget annat föreligger som kan påverka maskinens funktion.
- ◆ Använd inte apparaten om någon del har skadats eller gått sönder.
- ◆ Låt en auktoriserad verkstad reparera eller byta ut skadade eller trasiga delar.
- ◆ Försök aldrig avlägsna eller byta ut andra delar än de som anges i den här bruksanvisningen.

## Ytterligare säkerhetsanvisningar för högtryckstvättar

Avsedd användning beskrivs i den här bruksanvisningen. Om andra tillbehör eller tillsatser används eller om någon annan åtgärd än de som rekommenderas i den här bruksanvisningen utförs med apparaten kan personer och/eller egendom skadas.

- ◆ Skydda fötter och ben när du använder apparaten genom att alltid bära kraftiga skor och långbyxor.
- ◆ Stäng alltid av produkten, låt fläkten stanna och ta bort batteriet när:
- ◆ Du lämnar produkten utan tillsyn.
  - ◆ Du tar bort ett stopp.

- ◆ Du kontrollerar, justerar, rengör eller utför andra reparationsarbeten på produkten.
- ◆ Apparaten börjar vibrera på ett onormalt sätt.
- ◆ Ha inte insugs- eller utblåshålet i närheten av ögon eller öron när högtryckstvätten används. Rikta den aldrig mot någon.
- ◆ Apparaten bör inte användas när det regnar eller lämnas utomhus när det regnar.
- ◆ Gå inte över grusgångar eller grusvägar när produkten är påslagen. Gå med produkten. Spring aldrig.
- ◆ Lägg inte enheten på grus medan den är påslagen.
- ◆ Se alltid till så att du har ett bra fötfäste och var särskilt försiktig när marken sluttar. Sträck dig inte för långt och håll alltid balansen.
- ◆ Stoppa inte in några föremål i öppningarna. Använd aldrig apparaten om öppningarna är blockerade. Håll borta hår, ludd, damm och annat som kan minska luftflödet.

**Varning!** Använd alltid produkten på det sätt som beskrivs i den här handboken. Produkten är avsedd att användas i upprätt läge. Om den används på något annat sätt kan det orsaka personskador. Använd aldrig produkten om den ligger på sidan eller upp och ned.

- ◆ Användaren ansvarar för olyckor och risker som andra människor eller deras egendom utsätts för.

- ◆ Använd inte lösnings- eller rengöringsmedel när du rengör produkten. Ta bort gräs och smuts från apparaten med ett trubbigt skrapverktyg.
- ◆ Kontrollera ofta att uppsamlarsäcken inte är utsliten eller har skadats.
- ◆ Nya fläktar finns att köpa hos STANLEY FATMAX-återförsäljare. Använd endast reservdelar och tillbehör som rekommenderas av STANLEY FATMAX.
- ◆ För säker användning av redskapet ska du se till att alla muttrar, bultar och skruvar är ordentligt åtdragna.

## Säkerhet för andra

- ◆ Denna apparat är inte avsedd att användas av personer (inklusive barn) med reducerad fysisk, sensorisk eller mental förmåga eller med begränsad erfarenhet eller kunskap såvida inte de är under uppsikt eller fått instruktioner om användning av apparaten av en person som är ansvarig för deras säkerhet.
- ◆ Barn bör övervakas för att garantera att de inte leker med apparaten.

## Ytterligare säkerhetsinstruktioner för batterier och laddare

### Batterier

- ◆ Försök aldrig öppna batteriet.
- ◆ Utsätt inte batteriet för vatten.
- ◆ Förvara inte på platser där temperaturen kan bli högre än 40 °C.

- ◆ Ladda endast vid temperaturer mellan 10 °C och 40 °C.
- ◆ Ladda endast med hjälp av laddare som medföljer verktyget.
- ◆ Följ instruktionerna som anges i avsnittet "Skydda miljön" när du kastar batterierna.

### Laddare

- ◆ Använd endast laddaren från STANLEY FATMAX för att ladda batteriet i det redskap som laddaren levererades med. Andra batterier kan spricka och orsaka personskador och andra skador.
- ◆ Försök aldrig ladda batterier som inte är uppladdningsbara.
- ◆ Byt defekta sladdar omgående.
- ◆ Utsätt inte laddaren för vatten.
- ◆ Öppna inte laddaren.
- ◆ Gör ingen åverkan på laddaren.



Laddaren är endast avsedd för inomhusbruk.



Läs bruksanvisningen före användning.

### Elsäkerhet



Eftersom laddaren är dubbelisolerad behövs ingen jordledare. Kontrollera alltid att nätspänningen överensstämmer med spänningen på typsylten. Försök aldrig byta ut laddaren mot en vanlig nätkontakt.

- ◆ Om nätsladden är skadad måste den bytas ut av tillverkaren eller en auktoriserad STANLEY FATMAX-verkstad för att undvika farliga situationer.

### Etiketter på apparaten

Följande varningssymboler finns på apparaten tillsammans med datumkoden:



Läs bruksanvisningen innan användning.



Bär alltid skyddsglasögon när du använder denna apparat.



Bär lämpliga hörselskydd när du använder apparaten.



Ta alltid bort batteriet från apparaten innan någon rengöring eller underhåll utförs.



Utsätt inte apparaten för regn eller hög luftfuktighet.



Garanterad ljudnivå enligt direktiv 2000/14/EG.

### Funktioner

Denna apparat har några eller samtliga av följande funktioner.

1. Huvudhandtag
2. Högtrycksvävt
3. Vatteninlopp
4. Avtryckarlås
5. Låsknapp batteripaket
6. Batteripaket
7. Strömbrytare
8. Snabbkopplingsfilter (ingår)
9. Högtrycksvävt snabbkopplingsrör (medföljer STZQDW1)
10. 5-i-1-munstycke (medföljer STZ5N1)
11. Flaska med rengöringsmedel (tillbehör STZSBSK3: rengöringssats)
12. Sugslang (medföljer STZIHK2)
13. Snabbkopplingslanganslutning (medföljer STZIHK2)
14. Flytboll (medföljer STZIHK2)
15. Trädgårdsslangadapter (medföljer)
16. Kort rör (tillbehör STZSW1)
17. Borste (tillbehör STZSBSK3: rengöringssats)
18. Skrapa (tillbehör STZSBSK3: rengöringssats)
19. Hink (tillbehör STZB1)

### Ladda ett batteri

STANLEY FATMAX-laddare är designade för att ladda STANLEY FATMAX batteripaket.

- ◆ Anslut laddaren till ett lämpligt uttag.
- ◆ Sätt i och kontrollera att batteripaketet sitter fast. Den gröna laddningsdioden blinkar kontinuerligt under laddningen.
- ◆ Laddningen är klar när den gröna laddningsindikatorn börjar lysa med ett fast sken. Batteripaketet kan lämnas i laddaren eller tas bort.
- ◆ Ladda urladdade batterier så snart som möjligt efter användning, i annat fall kan batterilivslängden minska betydligt. För att uppnå maximal batterilivslängd bör du inte ladda ur batteriet helt och hållet. Vi rekommenderar att du laddar batterierna efter varje användning.

### Laddardiagnostik

Denna laddare är designad att upptäcka vissa problem som kan uppstå med batteripaketet eller strömkällan. Problemen indikeras av en LED-blinkning i olika mönster.

### Dåligt batteri

Laddaren kan upptäcka ett svagt eller skadat batteri. LED blinkar i mönstret som anges på etiketten. Om du ser detta blinkmönster för dåligt batteri, fortsätt då inte att ladda batteriet. Returnera det till ett servicecenter eller lämna det till batteriinsamlingen.

### Varm/kall paketfördröjning

När laddaren upptäcker ett batteri som är överdrivet hett eller överdrivet kallt, kommer den automatiskt att starta en varm/kall paketfördröjning och avbryta laddningen tills batteriet har nått en lämplig temperatur. När detta sker växlar laddaren automatiskt till paketladdningsläget. Denna funktion garanterar maximal batterilivslängd. Lampan blinkar i mönstret som anges på etiketten.

### Lämna batteriet i laddaren

Batteriet kan sitta kvar i laddaren och laddaren kan vara ansluten till vägguttaget hur länge som helst när indikatorn lyser. Laddaren ser till att batteriet hålls fräscht och fulladdat. Denna laddaren har ett automatiskt finjusteringsläge som jämnar ut eller balanserar de enskilda cellerna i batteripaketet för att det skall fungera med toppkapacitet. Batteripaket skall finjusteras varje vecka eller närhelst batteriet inte längre levererar samma arbetsmängd. För att använda de automatiska finjusteringsläget, placera batteripaketet i laddaren och lämna det där i minst åtta timmar.

## Viktiga anmärkningar gällande laddning

- ◆ Längsta livslängd och bäst prestanda erhålls om batteripaketet laddas när lufttemperaturen är mellan 18° - 24 °C. Ladda INTE batteripaketet i en lufttemperatur under +4,5 °C eller över +40 °C. Detta är viktigt och kommer att förhindra allvarliga skador på batteripaketet.
- ◆ Laddaren och batteripaketet kan bli för varma att vidröra under laddningen.  
Detta är normalt och indikerar inte något problem. För att möjliggöra kylning av batteripaketet, undvik att placera laddaren eller batteripaketet på en varm plats såsom i ett metallskjul eller i en isolerad vagn.
- ◆ Om batteripaketet inte laddar korrekt:
  - ◆ Kontrollera eluttaget genom att ansluta en lampa eller någon annan apparat;
  - ◆ Kontrollera om uttaget är anslutet till en strömbrytare som stänger av strömmen när du släcker ljuset;
  - ◆ Flytta laddaren och batteripaketet till en plats där den omgivande temperaturen är ungefär 18° - 24 °C;
  - ◆ Om laddningsproblemen kvarstår, lämna verktyget, batteripaketet och laddaren till ditt lokala servicecenter.
  - ◆ Batteripaketet måste laddas när de inte längre kan producera tillräckligt med energi för jobb som enkelt utfördes tidigare. FORTSÄTT INTE att använda det under dessa förhållanden. Följ laddningsproceduren. Du kan också ladda ett delvis använt paket när du så önskar utan att det har någon negativ effekt på batteripaketet.
- ◆ Främmande föremål som är ledande såsom, men inte begränsat till, slipdamm, metallspån, stålull, aluminiumfolie eller ansamling av metallpartiklar bör hållas borta från laddningshållrummet. Koppla ifrån laddaren vid rengöring.
- ◆ Frys inte eller sänk ned laddaren i vatten eller annan vätska.

## Installera batteripaket (bild G)

**Notera:** För bästa resultat se till att batteripaketet (6) är fulladdat.

- ◆ Lyft och håll upp locket till batteriuttaget (6b) för att visa batteriuttaget (6c).
- ◆ Rikta in batteriet med skenorna inuti verktygets batteriuttag (6c) och skjut in det i batteriuttaget tills batteripaketet sitter ordentligt i verktyget och se till att det inte lossnar.
- ◆ Stäng luckan till batteriuttaget (6b). Se till att locket är helt spärrat innan du startar verktyget.

## Borttagning av batteripaket (bild G)

- ◆ Lyft och håll upp locket till batteriuttaget (6b) för att visa batteripaketet (6).
- ◆ Tryck ned batteriets låsknapp (6a) som är placerad på batteripaketet och dra ut batteripaketet (6) från verktyget.

- ◆ Sätt i batteriet i laddaren på det sätt som det beskrivs i avsnittet som behandlar laddaren i denna bruksanvisning.

## Montering

**Varning!** För att minska risken för allvarlig personskada, stäng av enheten och ta bort batteripaketet innan du gör några justeringar eller tar bort/installerar tillsatser eller tillbehör. En oavsiktlig start kan orsaka skador.

## Montera snabbkopplingsfilter (bild A)

Denna högtryckstvätt måste användas med snabbkopplingsadapterna. Trädgårds- eller sugslangen kan endast fästas när snabbkopplingsfiltret (8) är installerat.

- ◆ För att ansluta snabbkopplingsfiltret (8) till högtryckstvätten (2), placera änden på snabbkopplingsfiltret på vattenintaget (3). Dra åt snabbkopplingsfiltret för hand.

**Notera:** Undvik tvärgängning när du installerar slangen. Tvärgängning orsakar läckor.

## För att fästa spruttrör, rengöringsmedelsflaska eller annat (bild B)

Spruttrör, rengöringsmedelsflaska och andra tillbehör (såls separat) ansluts till högtryckstvätten. För att ansluta spruttrör (9) (16) och rengöringsmedelsflaska (11) till högtryckstvätten (2):

- ◆ För in änden av redskapet i öppningen på högtryckstvätten (2). Tryck in och vrid redskapet medurs tills det sitter fast i arbetsläge.
- ◆ För att ta bort redskapet, tryck in och vrid redskapet moturs och dra bort från högtryckstvätten (2).

**Notera:** Andra tillbehör finns tillgängliga för användning med denna högtryckstvätt, se avsnittet Tillbehör.

## Att fästa trädgårds- eller sugslangen (bild C, D)

Anslutning av trädgårdsslangen eller sugslangen beror på vilket jobb som ska utföras.

## Att fästa trädgårdsslangen (bild C)

Denna högtryckstvätt måste användas med snabbkopplingsadapterna.

- ◆ För att ansluta snabbkopplingsslangadaptern (13) till en trädgårdsslang, skruva fast snabbkopplingsadaptern på änden av trädgårdsslangen. Dra åt trädgårdsslangen för hand.

**Notera:** Undvik tvärgängning när du installerar slangen. Tvärgängning orsakar läckor.

**Notera:** Innan du ansluter trädgårdsslangen till högtryckstvätten, ska du låta vatten rinna genom trädgårdsslangen i trettio sekunder för att rensa bort skräp från slangens mynning.

- ◆ För att ansluta snabbkopplingsadaptern (16) till snabbkopplingsfiltret (3) på högtryckstvätten (2), tryck snabbkopplingsadaptern ordentligt på snabbkopplingsfiltret.

**Notera:** Dra försiktigt i trädgårdsslangen före användning för att säkerställa att anslutningen är säker. Se till att snabbkopplingslangadaptorn ligger i linje med snabbkopplingsfiltret enligt figur D.

- ◆ Koppla alltid bort trädgårdsslangen efter användning. För att koppla bort, dra tillbaka kragen på snabbkopplingslangadaptorn och ta bort den från snabbkopplingsfiltret.

## Att fästa sugslangen (bild C, E)

Använd sugslangen för att dra vatten från en hink eller annan sötvattenkälla.

**Notera:** Använd inte för att suga upp rengöringsmedel, kemikalier, smutsiga eller frätande vätskor, som fönsterrengöringsmedel, växtnäring, gödningsmedel eller blekmedel. Använd inte saltvatten.

- ◆ För att ansluta snabbkopplingsadaptorn (13) på änden av sugslangen till snabbkopplingsfiltret (3) på högtryckstvätten (2), tryck fast snabbkopplingsadaptorn ordentligt på snabbkopplingsfiltret.

**Notera:** Dra försiktigt i trädgårdsslangen före användning för att säkerställa att anslutningen är säker. Se till att snabbkopplingslangadaptorn i änden av sugslangen ligger i linje med snabbkopplingsfiltret enligt figur E.

- ◆ Placera den andra änden av sugslangen med filter på den i behållaren med sötvatten eller en sötvattenkälla. Justera flottören på sugslangen så att filtret förblir täckt av vätskan.
- ◆ Välj korrekt munstycke som ska användas. Se hur du använder avsnittet med flera sprutmestycken.
- ◆ Efter att jobbet utförts, placera sugslangen i behållaren med rent vatten och dra det rena vattnet genom systemet för att skölja.

## Hur man fäster 5-i-1-munstycket på sprutröret

**Varning!** Risk för vätskeintrång. Rikta inte utflödet mot personer, oskyddad hud, ögon eller djur. Allvarliga personskador kan uppstå.

**Varning!** Flygande föremål kan orsaka risk för allvarliga skador. Försök INTE byta munstycken medan högtryckstvätten är igång. Stäng av högtryckstvätten innan du byter munstycken.

- ◆ För att ansluta munstycket (10) till sprutröret (9), dra snabbkopplingskragen mot sprutröret och sätt in munstycket.
- ◆ Lossa snabbkopplingskragen för att låsa munstycket på plats.
- ◆ För att säkerställa att munstycket är låst på plats, dra i munstycket efter att snabbkopplingskragen har låst sig på plats.

## Hur man använder sprutrör (bild F)

Ett variabelt 5-i-1 sprutmestycke (10) levereras med denna högtryckstvätt.

- ◆ För att justera trycket på det variabla sprutmestycket (10), vrid spetsen medurs eller moturs för önskat flöde.
  - ◆ En smal stråle är bra för rengöring av grillar, uppfart, trottoarer och tegel.
  - ◆ En bred stråle är bra för rengöring av trall, vinyl, målade ytor och stuckatur.

**Notera:** Högtrycksstrålen från din högtryckstvätt kan orsaka skador på ytor som trä, glas, bilfärg, strippning och panel och känsliga föremål som blommor och buskar.

Innan du sprutar ska du kontrollera objektet som ska rengöras för att försäkra dig om att det är tillräckligt starkt för att motstå skador från strålens kraft.

## Korrekt handplacering (bild H)

**Varning!** För att minska risken för allvarlig personskada, använd ALLTID korrekt handställning, så som visas.

**Varning!** För att minska risken för allvarlig personskada, håll ALLTID verktyget säkert, för att förekomma en plötslig reaktion.

Korrekt handplacering kräver ena handen på huvudhandtaget (1) och den andra handen på högtryckstvätten (2) som visas.

## Tryckrengöring

### Förbereda ytan för rengöring

- ◆ Ta bort föremål från området som kan utgöra en fara.
- ◆ Se till att alla dörrar och fönster är tätade. Skydda alla växter och träd i det intilliggande området med en presenning så att de inte skadas av strålen.
- ◆ Skölj området som ska rengöras med färskt vatten.
- ◆ Använd endast rengöringsmedel anpassade för högtryckstvättar.
- ◆ Testa alltid rengöringsmedel i ett obetydligt område före användning.

### Förbered högtryckstvätt för användning

**Varning!** Risk för vätskeintrång och hudskador. Låt INTE högtrycksstrålen komma i kontakt med oskyddad hud, ögon eller med djur när du använder högtrycksinställningen. Allvarliga personskador kan uppstå.

**Varning!** Innan användning:

- ◆ Anslut vattenförsörjningen till högtryckstvätten. För instruktioner om hur du ansluter vattentillförseln till högtryckstvätten, se Fästa trädgårds- eller sugslang under Montering och justering.
- ◆ Anslut sprutrör, rengöringsmedelsflaska eller annat. För instruktioner om hur du ansluter högtrycksprutningsröret, se Att sätta på sprutrör, rengöringsmedelsflaska eller annat tillbehör under Montering och justering.

### Förbered högtryckstvätt

**Viktigt:** Lossa avtryckaren (4), tryck in avtryckaren (7) och håll avtryckaren i 30 sekunder för att rensa luft ur systemet.

Om det fortfarande finns luft i vattenströmmen, fortsätt att låta vatten rinna genom spruthandtaget.

- ◆ Lås upp avtryckarlåset (4).
- ◆ Kläm avtryckaren (7).

## Rengöring av en yta

**Varning!** Risk för personskador från sprutning. Aktivera alltid låset när verktyget inte används. Om du inte gör det kan det orsaka oavsiktlig sprutning.

- ◆ Starta högtryckstvätten genom att trycka på avtryckarlåset (4) och sedan på avtryckaren (7).

**Notera:** Den bästa vinkeln för att spruta vatten mot en rengöringsyta är 45°. Spruthuvudet tenderar att få smutspartiklar att bäddas in i ytan. När du arbetar på vertikala ytor är det bäst att applicera rengöringsmedel i botten och arbeta uppåt vilket förhindrar att medlet glider ner och orsakar strimmar.

- ◆ Släpp avtryckaren för att stoppa högtryckstvätten.

**Notera:** För stort pumptryck kan vara resultatet av ett igensatt munstycke eller mässingskoppling.

Stäng alltid av högtryckstvätten och ta ut batteriet innan du försöker rensa upp ett munstycke eller mässingskoppling.

**Varning!** Använd aldrig vatten som innehåller kemikalier. Dra endast vatten från färskvattenkällor.

## Avstängning

- ◆ Släpp avtryckaren och ta bort batteriet för att stoppa högtryckstvätten.
- ◆ Stäng av vatten vid kranen.
- ◆ Töm resttrycket genom att trycka på avtryckaren (7) tills inget mer vatten kommer ut ur sprutröret (9).
- ◆ Koppla bort trädgårdsslangen från vattenintaget (3) och dränera slangen.
- ◆ Ta bort trädgårdsslangen från högtryckstvätten genom att dra tillbaka kragen på snabbkopplingslangadaptorn och ta bort den från snabbkopplingsfiltret.

## Underhåll

**Varning!** För att minska risken för allvarlig personskada, stäng av enheten och ta bort batteripaketet innan du gör några justeringar eller tar bort/installerar tillsatser eller tillbehör. En oavsiktlig start kan orsaka skador.

## Rengöring

**Varning!** Blås ut smuts och damm från alla luftventiler med ren, torr luft minst en gång i veckan.

För att minska risken för ögonskador bör alltid skyddsglasögon användas när detta görs.

**Varning!** Använd aldrig lösningsmedel eller andra skarpa kemikalier för att rengöra de icke-metalliska delarna på verktyget. Dessa kemikalier kan försvaga de plastmaterial som används i dessa delar. Använd en trasa som bara är fuktad med vatten och mild tvål. Låt aldrig vätska komma in i verktyget och sänk aldrig ner någon del av verktyget i vätska.

## Munstycke

Om munstycket täpps till med främmande material, till exempel smuts, kan alltför stort tryck utvecklas.

Om munstycket blir delvis igensatt eller begränsat, kommer pumptrycket att pulsa. Rengör munstycket omedelbart.

- ◆ Stäng av högtryckstvätten (2) och stäng av vattentillförseln.
- ◆ Dra i avtryckaren (7) på huvudhandtaget (1) för att avlasta vattentrycket.
- ◆ Ta bort munstycket från sprutröret (9) genom att dra snabbkopplingskragen (10) mot sprutröret.
- ◆ Rensa bort eventuellt skräp från munstycket.
- ◆ Kör vatten från en kran eller trädgårdsslang genom munstycket.

## Flaska med rengöringsmedel

- ◆ Stäng av högtryckstvätten och stäng av vattentillförseln för att rengöra flaskan med rengöringsmedel.
- ◆ Dra i avtryckaren på pistolhandtaget för att avlasta vattentrycket.
- ◆ Koppla bort flaskan med rengöringsmedel. (11) från högtryckstvätten och skruva av flaskmunstycket.
- ◆ Rengör rengöringsmedelsflaskan (11) genom att tömma kvarvarande rengöringsmedel i behållaren. Använd vatten från en trädgårdsslang för att skölja ut flaskan ordentligt. Töm flaskan och låt den torka.
- ◆ Sätt tillbaka flaskmunstycket vid rengöringsmedelsflaskan.

## Sugslang

- ◆ Stäng av högtryckstvätten för att rengöra sugslangen (12).
- ◆ Dra i avtryckaren för att avlasta vattentrycket.
- ◆ Koppla bort sugslangen (12) från högtryckstvätten.
- ◆ För att rengöra sugslangen, använd vatten från en trädgårdsslang för att skölja ut sugslangen ordentligt och låt den torka.

## Sugslangsfiler (bild J)

- ◆ Vrid filtret (20) på änden av sugslangen (12) moturs och ta bort det. Ta bort silen från insidan av filtret. Skölj alla delar med rent vatten och sätt ihop dem igen.

## Snabbkopplingsfiler (bild K)

- ◆ Dra tillbaka kragen på snabbkopplingslangadaptorn och ta bort trädgårds- eller sugslangen från snabbkopplingsfiltret (8).
- ◆ Ta bort snabbkopplingsfiltret från högtryckstvätten.
- ◆ Inuti snabbkopplingsfiltret (8) finns ett skärmfilter (22). Ta bort silfiltret och skölj med rent vatten och sätt tillbaka det.



## Förvaring

- Töm alltid helt vatten från sugslangen, högtrycksvätten, sprutröret, munstyckena och rengöringsmedelsflaskan.
- Förvara på en torr, täckt plats över frystemperatur. FÖRVARING I DÖRRAR.

## Tillbehör

**Varning!** Eftersom andra tillbehör än de som erbjuds av STANLEY FATMAX inte har testats med denna produkt, kan användningen av sådana tillbehör med detta verktyg vara riskabelt. För att minska risken för personskada bör endast tillbehör som rekommenderas av STANLEY FATMAX användas med denna produkt.

Rekommenderade tillbehör för användning med ditt verktyg finns tillgängliga att köpa hos din lokala återförsäljare eller auktoriserat servicecenter. Om du behöver hjälp att hitta något tillbehör besök vår hemsida [www.blackanddecker.co.uk](http://www.blackanddecker.co.uk).

**STZHK2:** SFM inloppsslang, slangadaptersats

**STZBSK3:** SFM rengöringssats (borste, skrapa, flaska med rengöringsmedel)

**STZSW1:** SFM kort rör

**STZ5N1:** SFM 5-i-1-munstycke

**STZB1:** SFM hink

**STZQDW1:** SFM snabbkopplingsrör

## Skydda miljön



Separat insamling. Produkter och batterier som är markerade med denna symbol får inte kastas in de vanliga hushållssoporna.

Produkter och batterier innehåller material som kan återanvändas eller återvinnas för att minska behovet av råmaterial. Återvinn elektriska produkter och batterier enligt lokala bestämmelser.

## Tekniska data

		SFMCPC93
Tryck	(BAR)	24
Vattenflöde	(l/h)	120
Batteri	DC	18 V
Inloppsslang		6 m
Tryck på inloppsvatten	(BAR)	1,4 - 6,9
Inloppsvatten		Kallkran0
Förbrukning av rengöringsmedel		10 % MAX

		SFMCB12
Inspänning	$V_{oc}$	230
Utspänning	$V_{sc}$	18
Nuvarande	A	2

Batteri		SFMCB202	SFMCB204	SFMCB206
Spänning	$V_{oc}$	18	18	18
Kapacitet	Ah	2.0	4.0	6.0
Typ		Li-Ion	Li-Ion	Li-Ion

Emissionsljudtrycksnivå  $L_{PA}$ : 75,0 dB(A)

Osäkerhet K = 3 dB(A)

Uppmätt ljudtrycksnivå  $L_{WA}$ : 86,0 dB(A)

Osäkerhet K = 1,6 dB(A);

Undertecknad är ansvarig för sammanställningen av tekniska data och gör denna försäkran för STANLEY FATMAX.

*Patrick Diepenbach*

Patrick Diepenbach  
General Manager, Benelux  
Black and Decker,  
Egide Walschaertsstraat 14-18  
2800 Mechelen, Belgien  
2020-11-30

## Garanti

Stanley Europe är övertygad om kvaliteten hos denna produkt och erbjuder kunder 12 månaders garanti från inköpsdatumet. Denna garanti är ett tillägg till dina lagstadgade rättigheter och påverkar inte dessa på något sätt. Garantin är giltig i de områden som tillhör medlemsstaterna i Europeiska unionen och det europeiska frihandelsområdet.

För yrkande under garantin måste yrkandet vara i enlighet med STANLEY FATMAX villkor och du kommer att behöva skicka in bevis på köpet till försäljaren eller en auktoriserad reparatör. Villkoren för STANLEY FATMAX ettåriga garanti och var du hittar din närmaste auktoriserade reparatör kan hittas på internet på [www.2helpU.com](http://www.2helpU.com), eller genom att kontakta ditt lokala STANLEY FATMAX-kontor på adressen som angetts i denna bruksanvisning.

Besök vår webbplats [www.stanley.eu/3](http://www.stanley.eu/3) för att registrera din nya STANLEY FATMAX-produkt samt för att få information om nya produkter och specialerbjudanden.

### Tiltenkt bruk

STANLEY FATMAX SFMCP93 høytrykksvasker er designet for rengjøring av båter, biler, oppkjørsler, griller, husvegger, motorsykler, terrasser og utendørs møbler. Disse apparatene er bare beregnet for privat bruk.

## Sikkerhetsinstruksjoner

**Advarsel!** Ved bruk av nettdrevne/ batteridrevne apparater må grunnleggende sikkerhetsforholdsregler, inkludert punktene som er beskrevet under, alltid følges for å redusere risikoen for brann, elektrisk støt, personskade og skade på materiell.



Retts aldri vannstrålen direkte mot mennesker, dyr, maskinen selv eller elektriske komponenter.

**Advarsel!** Høytrykkstrålen kan være farlig dersom den brukes feil.



I henhold til aktuelle forskrifter skal apparatet aldri brukes koblet til drikkevannsforsyningen uten en systemseparator. Bruk en separator i samsvar med IEC 61770 type BA.

Vannet som har gått gjennom en systemseparator regnes ikke som drikkevann.

- ◆ Les hele denne håndboken nøye før du bruker apparatet.
- ◆ Beregnet bruk er beskrevet i denne håndboken.

Hvis du bruker annet tilbehør, kobler til annet utstyr eller bruker dette apparatet til andre oppgaver enn det som er anbefalt i denne håndboken, kan det føre til fare for personskade.

- ◆ Ta vare på denne håndboken for fremtidig bruk.

## Bruke produktet

Vær alltid forsiktig når du bruker apparatet.

- ◆ Væske eller damp må ikke rettes mot utstyr som inneholder elektriske komponenter, slik som innsiden av ovner.
- ◆ Apparatet skal ikke brukes om det har falt i gulvet, om det finnes synlige tegn på skade eller hvis det lekker.
- ◆ Bruk alltid vernebriller.
- ◆ La aldri barn eller personer med reduserte fysiske, sensoriske eller mentale ferdigheter eller med manglende erfaring eller kunnskap, eller personer som ikke kjenner bruksanvisningen bruke denne maskinen. Lokale lover og regler kan gi begrensninger for brukerens alder. Ikke bruk maskinen hvis det er personer, spesielt barn, eller dyr i nærheten.
- ◆ Pass på at barn og dyr ikke kommer i nærheten av arbeidsområdet eller kommer i berøring med apparatet eller strømledningen.
- ◆ Pass ekstra godt på når apparatet brukes i nærheten av barn.

- ◆ Det er ikke meningen at dette apparatet skal brukes av unge eller svake personer uten tilsyn.
- ◆ Dette verktøyet skal ikke brukes som leketøy.
- ◆ Bruk apparatet bare i dagslys eller god kunstig belysning.
- ◆ Brukes bare i tørre omgivelser. Ikke la apparatet bli vått.
- ◆ Unngå å bruke apparatet i dårlig vær, spesielt dersom det er fare for lyn og torden.
- ◆ Ikke senk produktet ned i vann.
- ◆ Ikke åpne huset til verktøyet. Det er ingen deler inni som brukere skal håndtere.
- ◆ Ikke bruk apparatet i omgivelser med eksplosjonsfare, for eksempel på steder der det finnes brennbare væsker, gasser eller støv.
- ◆ Apparatet må bare brukes med strømforsyningsenheten som fulgt med apparatet.
- ◆ Personskader som forårsakes av berøring av en roterende/bevegelig del.
- ◆ Personskader som forårsakes av at en del, et blad eller tilbehør endres.
- ◆ Personskader som forårsakes av langvarig bruk av et verktøy. Når du bruker et verktøy i lange perioder, må du sørge for å ta regelmessige pauser.
- ◆ Hørselskader.
- ◆ Helsefarer som skyldes innånding av støv som dannes når du bruker verktøyet (for eksempel under arbeid med tre, spesielt eik, bøk og MDF.)

## Etter bruk

- ◆ Når produktet ikke er i bruk, skal det oppbevares på et tørt og godt ventilert sted utilgjengelig for barn.
- ◆ Barn skal ikke ha tilgang til maskiner som oppbevares.
- ◆ Når apparatet oppbevares eller transporteres i et kjøretøy, bør det plasseres i bagasjerommet eller festes, slik at det ikke påvirkes av raske farts- eller retningsendringer.

## Kontroll og reparasjon

- ◆ Kontroller at apparatet ikke er skadet eller har defekte deler før du bruker det. Kontroller om noen av delene er skadet, eller om det er andre forhold som kan påvirke bruken.
- ◆ Ikke bruk apparatet hvis en del er skadet eller defekt.
- ◆ Overlat reparasjon eller utskifting av skadde eller defekte deler til et autorisert serviceverksted.

## Andre risikoer.

Når verktøyet brukes, kan det oppstå ytterligere risikoer som kanskje ikke er beskrevet i de medfølgende sikkerhetsadvarslene.

Disse risikoene kan bli forårsaket av feil bruk, langvarig bruk osv.

Selv om de relevante sikkerhetsbestemmelsene blir fulgt, og sikkerhetstiltakene blir gjennomført, kan visse gjenværende risikoer ikke unngås.

Disse inkluderer:

- ◆ Forsøk aldri å fjerne eller bytte ut andre deler enn delene som er oppgitt i denne håndboken.

## Ekstra sikkerhetsanvisninger for høytrykksvaskere

Beregnet bruk er beskrevet i denne håndboken. Hvis du bruker annet tilbehør, kobler til annet utstyr eller bruker dette produktet til andre oppgaver enn det som er anbefalt i denne håndboken, kan det føre til fare for personskade og/eller skade på eiendom.

- ◆ Bruk alltid kraftig fottøy og lange bukser mens du bruker produktet, for å beskytte føttene og bena.
- ◆ Slå alltid av produktet, la viften stoppe og fjern batteriet når:
  - ◆ Du forlater produktet uten tilsyn.
  - ◆ du fjerner en blokkering.
  - ◆ du kontrollerer, justerer, rengjør eller arbeider på produktet.
  - ◆ verktøyet begynner å vibrere unormalt.
- ◆ Ikke plasser inntaket eller uttaket for produktet i nærheten av øyne eller ører når det er i bruk. Rett aldri strålen mot personer som står i nærheten.
- ◆ Må ikke brukes i regnvær, og må heller ikke settes igjen ute mens det regner.
- ◆ Ikke kryss grusganger eller veier mens produktet er slått på. Gå, løp aldri.
- ◆ Ikke sett enheten ned på grus når den er slått på.
- ◆ Pass på at du alltid har godt fofeste, særlig i skråninger.  
Ikke strekk deg for langt, og pass på balansen hele tiden.

- ◆ Ikke plasser noen gjenstander i åpningene. Bruk aldri produktet hvis åpningene er blokkert. Hold dem frie for hår, lo, støv og alt som kan redusere luftstrømmen.

**Advarsel!** Bruk alltid produktet på den måten som er forklart i denne håndboken. Produktet er konstruert for å bli brukt i loddrett stilling, og hvis det brukes på annen måte, kan det oppstå personskade. Kjør aldri produktet mens det ligger på siden eller er opp-ned.

- ◆ Operatøren eller brukeren er ansvarlig for ulykker eller farer andre personer eller deres eiendom blir utsatt for.
- ◆ Ikke bruk løsemidler eller rengjøringsvæsker til å rengjøre produktet. Bruk et butt skraperedskap for å fjerne gress og jord.
- ◆ Kontroller oppsamlingsposen ofte for slitasje eller misforming.
- ◆ Du får kjøpt reservevifter hos STANLEY FATMAX-serviceverkstedet. Bruk bare reservedeler og tilbehør som anbefales av STANLEY FATMAX.
- ◆ Pass på at alle muttere og skruer er godt tilskrudd, så du sikrer at produktet er i trygg arbeidsmessig stand.

## Andre personers sikkerhet

- ◆ Apparatet er ikke ment for bruk av personer (inkludert barn) med redusert fysiske, sensoriske eller mentale evner, eller mangel på erfaring og kunnskap, med mindre de får tilsyn eller har blitt opplært i bruk av apparatet av en person ansvarlig for deres sikkerhet.

- ◆ Barn må holdes under oppsyn, sørg for at de ikke leker med apparatet.

## Ytterligere sikkerhetsinstruksjoner for batterier og ladere

### Batterier

- ◆ Forsøk aldri å åpne av noen årsak.
- ◆ Ikke utsett batteriet for vann.
- ◆ Ikke oppbevar det på steder hvor temperaturen kan komme over 40 °C.
- ◆ Skal bare lades ved omgivelsestemperaturer mellom 10 °C og 40 °C.
- ◆ Bruk bare laderen som følger med apparatet.
- ◆ Følg instruksjonene i avsnittet «Miljøvern» når du skal kaste batterier.

### Ladere

- ◆ Bruk bare STANLEY FATMAX-laderen til å lade batteriet i apparatet som laderen ble levert sammen med. Andre batterier kan sprekke og føre til personskade og materiell skade.
- ◆ Prøv aldri å lade ikke-oppladbare batterier.
- ◆ Skift ut defekte ledninger umiddelbart.
- ◆ Ikke utsett laderen for vann.
- ◆ Ikke åpne laderen.
- ◆ Ikke stikk gjenstander eller fingre inn i laderen.



Laderen er bare beregnet for innendørs bruk.



Les denne håndboken før bruk.

## Elektrisk sikkerhet



Denne laderen er dobbeltisolert. Jording er derfor ikke nødvendig. Kontroller alltid at nettspenningen er i overensstemmelse med spenningen på typeskiltet. Ikke skift ut laderen med et vanlig nettstøpsel.

- ◆ Hvis strømledningen blir skadet, må den byttes av produsenten eller et autorisert STANLEY FATMAX-servicesenter for å unngå fare.

### Produktmerking

Følgende advarselssymboler vises på maskinen sammen med datokoden:



Les håndboken før bruk.



Benytt vernebriller når du bruker dette produktet. Benytt passende hørselvern når du bruker dette produktet.



Ta alltid ut batteriet av apparatet før du foretar rengjøring eller vedlikehold.



Ikke utsett maskinen for regn eller høy fuktighet.



Garantert lydeffekt i henhold til direktiv 2000/14/EF.

### Funksjoner

Dette apparatet har noen av eller alle funksjonene nedenfor.

1. Hovedhåndtak
2. Høytrykksvaskerenhet
3. Vanninntak
4. Avtrekkerlås
5. Festknapp for batterier
6. Batteri (inkludert med SFMCPC93D1)
7. På/av-avtrekker
8. Hurtigkoblingsfilter (inkludert)
9. Høytrykkslansje m. hurtigkobling (inkludert STZQDW1)
10. 5-i-1 dyse (inkludert STZ5N1)

11. Vaskemiddelflaske (tilbehør STZSBSK3: Rengjøringssett)
12. Sugelang (inkludert STZIHK2)
13. Slangehurtigkobling (inkludert STZIHK2)
14. Flottørball (inkludert STZIHK2)
15. Hageslangeadapter (inkludert)
16. Kort lanse (tilbehør STZSW1)
17. Børste (tilbehør STZSBSK3: Rengjøringssett)
18. Nal (tilbehør STZSBSK3: Rengjøringssett)
19. Bøtte (tilbehør STZB1)

## Lade batteriet

STANLEY FATMAX-ladere er designet for å lade STANLEY FATMAX-batteripakker.

- ◆ Plugg inn laderen i en passende stikkontakt.
- ◆ Sett inn og pass på at batteripakken låses godt. Den grønne ladelampen vil blinke kontinuerlig under ladingen.
- ◆ Ladingen er fullført når den grønne ladelampen lyser kontinuerlig. Batteripakken kan tas ut eller bli stående i laderen.
- ◆ Lad opp utladede batterier så fort som mulig etter bruk, ellers vil batteriets levetid forringes.  
For lengst batterilevetid, ikke lad ut batteriet helt. Det anbefales at du lader batteriet etter hver bruk.

## Laderdiagnose

Denne laderen er designet for å oppdage visse problemer som kan oppstå med batteripakken eller strømkilden. Problemer indikeres av et LED-lyset som blinker i ulike mønstre.

## Dårlig batteri

Laderen kan oppdage et svakt eller ødelagt batteri. LED-lyset blinker i mønsteret som er indikert på merkelappen. Hvis du ser dette blinkemønsteret for dårlig batteri, skal du ikke fortsette å lade batteriet. Returner det til et servicesenter eller et oppsamlingssted for resirkulering.

## Varm/kald ladeforsinkelse

Dersom laderen oppdager et batteri som er for varmt eller for kaldt, vil den automatisk starte en "varm/kald pakke forsinkelse", og venter med å lade til batteriet har passende temperatur. Etter dette skjer, vil laderen automatisk bytte over til pakkeladmodus. Denne funksjonen sikrer maksimal levetid på batteriet. LED-lyset blinker i mønsteret som er indikert på merkelappen.

## La batteriet være i laderen

Laderen og batteripakken kan forbli tilkoblet med lysende LED-lys i ubegrenset tid. Laderen holder batteripakken klar og fulladet.

Denne laderen har en automatisk trimmefunksjon som vedlikeholder eller balanserer de individuelle cellene i batteripakken slik at den fungerer med toppkapasitet.

Batteripakker skal vedlikeholdes ukentlig eller når batteriet ikke lenger yter like mye. For å bruke den automatiske vedlikeholdsmodus, plasser batteripakken i laderen og la den stå der i minst 8 timer.

## Viktige merknader om lading

- ◆ Lang levetid og best ytelse kan oppnås ved at batteripakken lades når lufttemperaturen er mellom 18 ° - 24 °C. IKKE lad batteripakken i en lufttemperatur under +4,5 °C, eller over +40 °C. Dette er svært viktig og vil forhindre skade på batteripakken.
- ◆ Laderen og batteripakken kan være varme å ta på under lading. Dette er normalt og er ikke et tegn på et problem. For å muliggjøre bedre kjøling av batteripakken etter bruk, unngå å oppbevare laderen i varme omgivelser slik som et metallskur eller en uisolert tilhenger.
- ◆ Hvis batteripakken ikke lader skikkelig:
  - ◆ Kontroller strømmen i kontakten ved å sette inn en lampe eller et annet apparat.
  - ◆ Kontroller om stikkkontakten er koblet til en lysbryter som slår av strømmen når du slår av lyset.
  - ◆ Flytt laderen og batteripakken til et sted hvor omgivelsestemperaturen er omtrent 18 ° - 24 °C.
  - ◆ Hvis ladeproblemene vedvarer, ta verktøyet, batteripakken og laderen til ditt lokale servicesenter.
  - ◆ Denne batteripakken må lades opp når den slutter å gi nok strøm til jobber som ble utført lett tidligere. I så fall, IKKE fortsett å bruke verktøyet. Følg ladeprosedyren. Du kan også lade opp en halvutladet pakke når som helst uten at det har noen effekt på batteripakken.
- ◆ Fremmedlegemer av ledende art som, men ikke begrenset til, slipestøv, metallspoon, aluminiumsfolie, og enhver oppbygging av metallpartikler skal ikke komme inn i laderens hulrom. Kople fra laderen før rengjøring.
- ◆ Ikke frys eller senk ned laderen i vann eller andre væsker.

## Installere batteripakken (figur G)

**Merk:** For best resultat, pass på at batteripakken (6) er helt oppladet før bruk.

- ◆ Løft dekselet på batterirommet (6b) for å avdekke batterirommet (6c).
- ◆ Rett inn batteripakken med skinnene i verktøyet batterirom (6c) og skyv den inn i batterirommet til batteripakken sitter godt i verktøyet og er låst fast.
- ◆ Steng dekselet (6b) på batterirommet. Pass på at dekselet er låst på plass før du starter verktøyet.

## Ta av batteripakken (figur G)

- ◆ Løft og hold dekselet på batterirommet (6b) for å avdekke batteripakken (6).
- ◆ Trykk på batteriets låseknapp (6a) på batteripakken (6) og dra batteripakken ut av verktøyet.

- ◆ Sett batteri i laderen som beskrevet i laderavsnittet i denne bruksanvisningen.

## Montering

**Advarsel!** For å redusere faren for alvorlige personskader, slå av verktøy og koble fra batteripakken før du gjør justeringer eller tar av/setter på tilbehør eller ekstrastyr. Utsikket oppstart kan føre til personskader.

### Sette på hurtigkoblingsfilteret (figur A)

Høytrykksvaskeren må brukes med hurtigkoblingsadaptere. Hage- eller sugeslange kan bare settes på når hurtigkoblingsfilteret (8) er installert.

- ◆ For å koble til hurtigkoblingsfilteret (8) på høytrykksvaskeren (2), sett enden av hurtigkoblingsfilteret på vanninntaket (3). Trekk til hurtigkoblingsfilteret for hånd.

**Merk:** Unngå at gjengene går skjevt når slangen settes på. Skjevginging vil føre til lekkasje.

### For å sette på spraylansene, vaskemiddelflasken eller annet tilbehør (figur B)

Spraylans, vaskemiddelflasken og annet tilbehør (selges separat) kan kobles på høytrykksvaskeren. For å koble spraylansene (9) (16) og vaskemiddelflasken (11) på høytrykksvaskeren (2):

- ◆ Sett enden av tilbehøret i åpningen på høytrykksvaskeren (2). Skriv inn og skru tilbehøret inn til det sitter godt i arbeidsposisjonen.
- ◆ For å ta av tilbehøret, skyv inn og skru tilbehøret mot klokken og trekk det ut av høytrykksvaskeren (2).

**Merk:** Annet tilbehør for bruk med denne høytrykksvaskeren er tilgjengelig, se avsnittet om tilbehør.

### For å sette på hage- eller sugeslange (figur C, D)

Bruk av hageslange eller sugeslange avhenger av hvilken jobb som skal utføres.

#### For å sette på hageslange (figur C)

Høytrykksvaskeren må brukes med hurtigkoblingsadaptere.

- ◆ For å sette på hurtigkobling slangeadapter (13) på en hageslange, sett hurtigkobling slangeadapteren på enden av hageslangen. Stram hageslangen til for hånd.

**Merk:** Unngå at gjengene går skjevt når slangen settes på. Skjevginging vil føre til lekkasje.

**Merk:** For kobling av hageslangen på høytrykksvaskeren, tapp vann gjennom hageslangen i trede sekunder for å fjerne rusk fra åpningene av hageslangen.

- ◆ For å sette på hurtigkobling slangeadapter (16) på hurtigkoblingsfilteret (3) på høytrykksvaskeren (2), skyv hurtigkobling slangeadapter godt inn på hurtigkoblingsfilteret.

**Merk:** Før bruk, trekk forsiktig i hageslangen for å sjekke at koblingen sitter godt. Forsikre deg om at hurtigkobling slangeadapteren er i plan med hurtigkoblingsfilteret som vist i figur D.

- ◆ Koble alltid fra hageslangen etter bruk. For å koble fra, trekk tilbake hylsen på hurtigkobling slangeadapter og ta den av hurtigkoblingsfilteret.

#### For å sette på sugeslange (figur C, E)

Sugeslangen bruker du for p suges vann fra en bøtte eller annen vannkilde.

**Merk:** Ikke sug opp såpe, kjemikalier, skitne eller korroderende væsker som vindusvaskevann, plantegjødsel, kunstgjødsel eller klorin. Skal ikke brukes med saltvann.

- ◆ For å sette på hurtigkobling slangeadapter (13) på enden av sugeslangen til hurtigkoblingsfilteret (3) på høytrykksvaskeren (2), skyv hurtigkobling slangeadapter godt inn på hurtigkoblingsfilteret.

**Merk:** Før bruk, trekk forsiktig i hageslangen for å sjekke at koblingen sitter godt. Forsikre deg om at hurtigkobling slangeadapteren er i plan med hurtigkoblingsfilteret som vist i detaljen på figur E.

- ◆ Sett den andre enden av sugeslangen med filter på i beholderen med ferskvann eller annen vannkilde. Juster flottøren på sugeslangen slik at filteret holdes dekket av væske.
- ◆ Velg riktig dyse. Se avsnittet om hvordan multispraydysen skal brukes.
- ◆ Etter jobben er ferdig utført, sett sugeslangen i beholderen med vann og la det strømme rent vann gjennom systemet for å rense det.

#### Howdan sette på 5-i-1 dysen på spraylansen

**Advarsel!** Fare for væskeinjeksjon. Ikke rett utgangsstrålen mot personer, ubeskyttet hus, øyne eller mot dyr. Det vil resultere i alvorlige skader.

**Advarsel!** Flyvende objekter kan føre til alvorlige personskader. IKKE forsøk å skifte dyser når høytrykksvaskeren er i gang. Slå av høytrykksvaskeren før du skifter dyse.

- ◆ For å koble dysen (10) til spraylansen (9), trekk hurtigkoblingshylsen mot spraylansen og sett inn dysen.
- ◆ Løsne hurtigkoblingshylse for å låse dysen på plass.
- ◆ For å sikre at dysen er låst på plass, trekk godt i dysen etter at hurtigkoblingshylsen er låst på plass.

#### Howdan bruke spraylansen (figur F)

En variabel 5-i-1 spraydyse (10) følger med denne høytrykksvaskeren.

- ◆ For å justere trykket på den variable spraydysen (10), vri tuppen med eller mot klokken for å få ønsket strømning.
  - ◆ En smal stråle er bra for rengjøring av grillen, oppkjørselen, fortau og murverk.

- ◆ En bred stråle er bra for rengjøring av terrassen, vinyl, malte flater, kjøretøy og stukkatur.

**Merk:** Høytrykkstrålen fra høytrykksvaskeren kan føre til skader på overflater av tre, glass, billakk, bildekor og følsomme objekter som blomsterplanter og busker. Før spraying, sjekk at gjenstanden som skal rengjøres er kraftig nok til å tåle strålens kraft uten å skades.

## Korrekt plassering av hendene (figur H)

**Advarsel!** For å redusere faren for alvorlig personskada, skal man ALLTID ha hendene i korrekt posisjon, som vist.

**Advarsel!** For å redusere faren for alvorlig personskada, skal du ALLTID holde godt fast, for å være forberedt på en plutselig reaksjon.

Riktig stilling for hendene er å ha en hånd på sidehåndtaket (1) og den andre på kroppen av høytrykksvaskeren (2).

## Trykkrengjøring

### Forberede overflaten for rengjøring

- ◆ Fjerne gjenstander som kan utgjøre en fare fra området.
- ◆ Pass på at alle dører og vinduer er godt lukket. Beskytt alle planter og trær fra nærliggende områder som kan bli skadet ved sprayingen.
- ◆ Skyll først området som skal rengjøres med rent vann.
- ◆ Bruk kun rengjøringsmidler som er godkjent for høytrykksvaskere.
- ◆ Test alltid rengjøringsmiddelet på et lite synlig sted før bruk.

### Forberede høytrykksvaskeren for bruk

**Advarsel!** Fare for væskeinjeksjon og skrubbsår. Ved bruk av innstilling for høyt trykk, IKKE la høytrykkstrålen komme i kontakt med ubeskyttet hud, øyne eller husdyr og andre dyr. Det vil resultere i alvorlige skader.

**Advarsel!** Før bruk:

- ◆ Koble vannforsyningen til høytrykksvaskeren. For informasjon om tilkobling av vannforsyning til høytrykksvaskeren, se avsnittet om å sette på hage- eller sugeslange under Montering og justering.
- ◆ Sett på spraylansen, vaskemiddelflasken eller annet tilbehør.  
For informasjon om tilkobling av høytrykkslansen, se avsnittet om tilkobling av spraylans, vaskemiddelflaske eller annet tilbehør under Montering og justering.

### Forberede høytrykksvaskeren

**Viktig:** Løsne avtrekkerlåsen (4), trykk inn avtrekkeren (7) og hold den inntrykket i 30 sekunder for å spyle luften ut av systemet. Dersom det fortsatt er luft i vannstrømmen, fortsett å kjøre vann gjennom sprayhåndtaket.

- ◆ Ta av avtrekkerlåsen (4).
- ◆ Trykke inn avtrekkeren (7).

## Rengjøring av en flate

**Advarsel!** Fare for personskada fra strålen. Sett alltid på avtrekkerlåsen når verktøyet ikke brukes. Dersom du ikke gjør det kan det føre til utilsiktet spyling.

- ◆ For å starte høytrykksvaskeren, løsne avtrekkerlåsen (4) og klem deretter på avtrekkeren (7).

**Merk:** Beste vinkel for vannstrålen mot flaten som skal rengjøres er 45°. Sprayhodet har en tendens til å presse smusspartikler inn i overflaten. Ved arbeid på vertikale overflater er det best å påføre rengjøringsmiddel fra bunnen av og jobbe seg oppover, det vil hindre at rengjøringsmiddelet renner ned og danner striper.

- ◆ Slipp avtrekkeren for å stoppe høytrykksvaskeren.

**Merk:** For høyt pumpetrykk kan skyldes tilstoppet dyse eller messingkobling.

Slå alltid av høytrykksvaskeren og ta av batteriet for du vil fjerne tilstopping i dysen eller messingkoblingen.

**Advarsel!** Bruk aldri vann som inneholder kjemikalier. Bruk bare kilder med rent vann.

## Stenge av

- ◆ Slipp avtrekkeren og ta av batteriet for å stoppe høytrykksvaskeren.
- ◆ Steng vannkranen.
- ◆ Slipp av gjenværende trykk ved å trykke på avtrekkeren (7) til det ikke lenger kommer vann ut av spraylansen (9).
- ◆ Koble hageslangen fra inntaket (3) og tøm slangen for vann.
- ◆ Ta av hageslangen fra høytrykksvaskeren ved å trekke tilbake hylsen på hurtigkobling slangeadapter og ta den av hurtigkoblingsfilteret.

## Vedlikehold

**Advarsel!** For å redusere faren for alvorlige personskader, slå av verktøy og koble fra batteripakken før du gjør justeringer eller tar av/setter på tilbehør eller ekstrautstyr. Utilsiktet oppstart kan føre til personskader.

## Rengjøring

**Advarsel!** Blås ut smuss og støv av ventilasjonsåpningene med ren, tørr luft minst en gang i uken.

For å redusere faren for øyeskader, bruk alltid vernebriller når det utføres.

**Advarsel!** Bruk aldri løsemidler eller sterke kjemikalier for å rengjøre ikke-metalliske deler av verktøyet. Disse kjemikaliene kan svekke materialene som brukes i disse delene. Bruk en klut som bare er fuktet med vann og mild såpe. Aldri la noen væske trenge inn i verktøyet; aldri dypp noen del av verktøyet i en væske.



## Dyse

Dersom dysen tilstoppes med fremmedlegemer - smuss - kan det dannes for høyt trykk.

Dersom dysen blir delvis tilstoppet eller innsnevret, vil pumpestrykket pulserer. Rengjør dysen straks.

- ◆ Slå av høytrykksvaskeren (2) og steng vanntilførselen.
- ◆ Trekk i avtrekkeren (7) på hovedhåndtaket (1) for å slippe av gjenværende vanntrykk.
- ◆ Ta dysen av spraylansen (9) ved å trekke hurtigkoblingshylsen (10) mot spraylansen.
- ◆ Fjern rusk fra dysen.
- ◆ Spyl vann fra en kran eller hageslange gjennom dysen.

## Rengjøringsmiddefflaske

- ◆ For å rengjøre flasken, slå av høytrykksvaskeren og steng vanntilførselen.
- ◆ Trekk i avtrekkeren på håndtaket for å slippe av gjenværende vanntrykk.
- ◆ Koble fra rengjøringsmiddefflasken (11) fra høytrykksvaskeren og skru av rengjøringsmiddefflasken fra dysen.
- ◆ For rengjøring av rengjøringsmiddefflasken (11), tøm gjenværende rengjøringsmiddel tilbake til beholderen sin. Bruk vann fra hageslangen for å skylle flasken grundig. Tøm flasken og la den tørke.
- ◆ Sett på igjen dysen på rengjøringsmiddefflasken.

## Sugeslange

- ◆ For rengjøring av sugeslangen (12), slå av høytrykksvaskeren.
- ◆ Trekk i avtrekkeren for å slippe av gjenværende vanntrykk.
- ◆ Koble sugeslangen (12) fra høytrykksvaskeren.
- ◆ For rengjøring av sugeslangen, bruk hageslangen for å spyle sugeslangen grundig og la den tørke.

## Sugeslangefilter (figur J)

- ◆ Vri filteret (20) på enden av sugeslangen (12) mot klokken og ta det av. Ta ut silen fra innsiden av filteret. Skyll alle deler med rent vann og sett sammen igjen.

## Hurtigkoblingsfilter (figur K)

- ◆ Trekk tilbake hylsen på hurtigkobling slangeadapter og ta hageslangen eller sugeslangen av hurtigkoblingsfilteret (8).
- ◆ Ta av hurtigkoblingsfilteret fra høytrykksvaskeren.
- ◆ Inne i hurtigkoblingsfilteret (8) er det et gitterfilter (22). Ta av gitterfilteret og spyl det med rent vann, sett det på igjen.

## Lagring

- ◆ Tøm alltid sugeslangen, høytrykksvaskere, spraylansen, dyser og rengjøringsmiddefflasken helt for vann.
- ◆ Lagres på et tørt, tildekket sted over frysetempereuren.

## LAGRES INNENDØRS.

## Tilbehør

**Advarsel!** Bruk av annet tilleggsutstyr enn det som tilbys av STANLEY FATMAX er testet sammen med dette verktøyet kan være farlig, ettersom dette ikke er testet sammen med dette verktøyet. For å redusere faren for skader, bør kun tilleggsutstyr som er anbefalt av STANLEY FATMAX brukes sammen med dette produktet.

Anbefalt tilbehør for bruk med verktøyet kan kjøpes fra din lokale forhandler eller et autorisert servicesenter. Dersom du trenger hjelp til å finne tilbehør, kontakt [www.blackanddecker.co.uk](http://www.blackanddecker.co.uk).

**STZIHK2:** SFM inntaksslange, slangeadapter SETT

**STZSBSK3:** SFM rengjøringsSETT (børste, nal, rengjøringsmiddefflaske)

**STZSW1:** SFM kort lanse

**STZ5N1:** SFM 5-i-1 dys

**STZB1:** SFM bøtte

**STZQDW1:** SFM Hurtigkobellanse

## Miljøvern



Separat avfallshåndtering. Produkter og batterier merket med dette symbolet skal ikke kastes i vanlig husholdningsavfall.

Produkter og batterier inneholder materialer som kan gjenbrukes eller gjenvinnes for å redusere behovet for nye råmaterialer. Vennligst lever elektrisk utstyr og batterier til gjenbruk i henhold til lokale regler.

## Tekniske data

		SFMPC93
Trykk	(BAR)	24
Vanngjennomstrømming	(L/t)	120
Batteri	DC	18V
Inntaksslange		6 m
Trykk på inntaksvann	(BAR)	1,4 - 6,9
Inntaksvann		Kaldt drikkevann fra kranen
Forbruk rengjøringsmiddel		10% MAKS

Lader	SFMCB12	
Inngangsspenning	$V_{in}$	230
Utgangsspenning	$V_{out}$	18
Strøm	A	2

Batteri		SFMCB202	SFMCB204	SFMCB206
Spenning	$V_{cc}$	18	18	18
Kapasitet	Ah	2.0	4.0	6.0
Type		Li-Ion	Li-Ion	Li-Ion

Utslipp lydtrykksnivå  $L_{PA}$ : 75,0 dB(A)

Usikkerhet  $K=3$  dB(A)

Målt lydeffektnivå  $L_{WA}$ : 86,0 dB(A)

Usikkerhet  $K=1,6$  dB(A);

Undertegnede er ansvarlig for utarbeidelsen av den tekniske dokumentasjonen og gir denne erklæringen på vegne av STANLEY FATMAX.

*Patrick Diepenbach*

Patrick Diepenbach  
General Manager, Benelux  
STANLEY FATMAX,  
Egide Walschaertsstraat 14-18  
2800 Mechelen, Belgia  
30.11.2020

## Tilsigtet brug

Din STANLEY FATMAX SFMCPC93 trykrenser er beregnet til rengøring af både, biler, dæk, indkørsler, griller, husbeklædning, motorcykler, terrasser og udendørs møbler. Disse apparater er kun beregnet til privat brug.

## Sikkerhedsinstruktioner

**Advarsel!** Ved brug af apparater, der strømforsynes fra forsyningsnettet/ ledningsfri apparater, er det vigtigt, at grundlæggende sikkerhedsforholdsregler, herunder bl.a. nedenstående, altid følges for at mindske risikoen for brand, elektrisk stød, personskade og materiel skade.



Ret aldrig vandstrålen mod mennesker, dyr, maskinen eller elektriske komponenter.

**Advarsel!** Højtryksstråler kan være farlige, hvis de udsættes for misbrug.



I henhold til de gældende bestemmelser må apparatet aldrig bruges på drikkevandsnettet uden en systemseparator. Brug en separator i henhold til IEC 61770 type BA.

Vand, der strømmer gennem en systemseparator, anses ikke for at være drikkevand.

- ◆ Læs hele vejledningen omhyggeligt, før du bruger apparatet.
- ◆ Den tilsigtede brug er beskrevet i denne vejledning.

## Garanti

STANLEY FATMAX er trygg på kvaliteten av produktene sine og tilbyr en 12 måneders garanti fra kjøpsdato. Denne garantierklæringen kommer i tillegg til dine lovbestede rettigheter og er ikke i konflikt med disse. Garantien er gyldig innen områdene tilhørende medlemslandene i den Europeiske Union (EU) og det Europeiske Frihandelsområdet (EFTA).

For å ta garantien i bruk må kravet være i samsvar med kjøpsbetingelsene fra STANLEY FATMAX og du må vise kjøpskvittering til forhandleren eller til et autorisert serviceverksted. Betingelsene for STANLEY FATMAX 1 års garanti og adressen til din nærmeste autoriserte serviceverksted kan du finne på internett under [www.2helpU.com](http://www.2helpU.com), eller ved å kontakte ditt lokale STANLEY FATMAX kontor, adressen er angitt i denne bruksanvisningen.

Besøk våre nettsider på [www.stanley.eu/3](http://www.stanley.eu/3) for å registrere ditt nye STANLEY FATMAX-produkt og for å få informasjon om nye produkter og spesialtilbud.

Brugen af ekstraudstyr eller tilbehør eller udførelse af andet arbejde med dette apparat end det, der anbefales i denne vejledning, kan udgøre en fare for kvæstelser.

- ◆ Opbevar denne vejledning til senere brug.

## Brug af apparatet

Vær altid opmærksom ved brugen af apparatet.

- ◆ Væske eller damp må ikke rettes mod udstyr, der indeholder elektriske komponenter, såsom det indvendige af ovne.
- ◆ Apparatet må ikke anvendes, hvis det har været tabt, hvis der er synlige tegn på skader, eller hvis det lækker.
- ◆ Bær altid sikkerhedsbriller eller beskyttelsesbriller.
- ◆ Lad aldrig børn, personer med nedsatte fysiske, sensoriske eller mentale evner eller manglende erfaring og viden, eller personer der ikke kender disse instruktioner bruge maskinen, den nationale lovgivning kan begrænse operatørens alder. Brug aldrig maskinen, mens der er andre i nærheden, især børn eller kæledyr.
- ◆ Lad ikke børn eller dyr komme i nærheden af arbejdsområdet eller røre ved apparatet eller strømforsyningsledningen.
- ◆ Vær meget opmærksom, når apparatet benyttes i nærheden af børn.
- ◆ Dette apparat må ikke bruges af børn eller svagelige personer uden opsyn.
- ◆ Apparatet må ikke bruges som legetøj.

- ◆ Brug kun apparatet i dagslys eller ved god kunstig belysning.
- ◆ Apparatet må kun bruges på tørre steder. Lad ikke apparatet blive vådt.
- ◆ Undgå at bruge apparatet under dårlige vejrforhold, især når der er risiko for lynnedslag.
- ◆ Apparatet må ikke nedsænkes i vand.
- ◆ Kabinettet må ikke åbnes. Der er ingen dele inde i kabinettet, som kan serviceres af brugeren.
- ◆ Brug ikke apparatet i eksplosive omgivelser, f.eks. hvor der er brændbare væsker, gasser eller støv.
- ◆ Apparatet må kun bruges med den medfølgende strømforsyningsenhed.

## Resterende risici.

Der kan opstå yderligere, tilbageværende risici under brugen af apparatet, som muligvis ikke behandles i de vedlagte sikkerhedsadvarsler.

Disse risici kan opstå pga. forkert anvendelse, langvarig brug etc.

Selv ved overholdelse af relevante sikkerhedsforskrifter og anvendelse af sikkerhedsudstyr kan visse restrisici ikke undgås.

Disse omfatter:

- ◆ Tilskadekomst forårsaget af berøring af roterende/bevægelige dele.
- ◆ Tilskadekomst forårsaget af udskiftning af dele, klinger eller tilbehør.
- ◆ Tilskadekomst forårsaget af langvarig brug af et apparat. Husk at holde pause jævnlige ved brug af et apparat i længere tid.
- ◆ Hørenedsættelse.

- ◆ Sundhedsrisici forårsaget af indånding af støv, der genereres ved brug af værktøjet (eksempel: arbejde med træ, især eg, bøg og MDF.)

## Efter brug

- ◆ Opbevar apparatet på et tørt, godt ventileret sted uden for børns rækkevidde, når det ikke er i brug.
- ◆ Opbevar apparater utilgængeligt for børn.
- ◆ Når apparatet opbevares eller transporteres i et køretøj, skal det anbringes i bagagerummet eller fastgøres for at forhindre bevægelse som følge af pludselige ændringer i hastighed eller retning.

## Eftersyn og reparationer

- ◆ Før brug skal apparatet kontrolleres for beskadigede eller defekte dele. Se efter knækkede dele og eventuelle andre forhold, der kan påvirke apparatets funktion.
- ◆ Brug ikke apparatet med beskadigede eller defekte dele.
- ◆ Få beskadigede eller defekte dele repareret eller udskiftet på et autoriseret værksted.
- ◆ Forsøg aldrig at fjerne eller udskifte dele ud over dem, der er beskrevet i denne vejledning.

## Yderligere sikkerhedsvejledninger for trykrensere

Den tilsigtede brug er beskrevet i denne vejledning.

Brug af ekstraudstyr eller tilbehør eller udførelse af andre opgaver med dette apparat end de, der anbefales i denne vejledning, kan medføre risiko for personskade og/eller materiel skade.

- ◆ Brug altid kraftigt fodtøj og lange bukser til beskyttelse af fødder og ben under brugen af apparatet.
- ◆ Sluk altid produktet, lad blæseren stoppe, og tag batteriet ud:
- ◆ Når du efterlader produktet uden opsyn.
  - ◆ Når du fjerner en blokering.
  - ◆ Når du kontrollerer, juster, rengør eller arbejder på produktet.
  - ◆ Hvis produktet begynder at vibrere unormalt.
- ◆ Hold ikke trykrensensers indsugning eller udblæsning i nærheden af øjne eller ører under arbejdet. Ret den aldrig mod omkringstående.
- ◆ Brug ikke produktet i regnvejr, og lad det ikke ligge ude i regnvejr.
- ◆ Passér ikke grusstier eller veje, mens produktet er tændt. Gå, løb ikke.
- ◆ Sæt ikke produktet ned på grus, mens der er tændt for det.
- ◆ Sørg altid for godt fodfæste, især på skråninger.  
Stræk dig ikke for langt, og sørg hele tiden for at være i balance.
- ◆ Stik ikke genstande ind i åbningerne.  
Brug aldrig produktet, hvis åbningerne er blokeret - hold dem fri for hår, frug, støv og andet, der kan reducere luftstrømmen.

**Advarsel!** Brug altid produktet som beskrevet i vejledningen.

Produktet er designet til brug i opretstående stilling; hvis det bruges på anden måde, kan det forårsage tilskadekomst. Lad aldrig produktet køre, mens det ligger på siden eller står på hovedet.

- ◆ Brugeren er ansvarlig for ulykker eller risici, som andre eller andres ejendom udsættes for.
- ◆ Brug ikke opløsningsmidler eller rensesvæsker til rengøring af produktet. Brug en uskarp skraber til at fjerne græs og snavs.
- ◆ Kontroller jævnligt opsamlingsposen for slid og beskadigelser.
- ◆ Udskiftningsblæsere kan købes på et STANLEY FATMAX-værksted. Brug kun reservedele og tilbehør, der anbefales af STANLEY FATMAX.
- ◆ Sørg for, at alle apparatets møtrikker, bolte og skruer er spændt, så arbejdsforholdene er sikre.

## Andres sikkerhed

- ◆ Dette værktøj er ikke beregnet til anvendelse af personer (inklusive børn) med nedsatte fysiske, sensoriske eller mentale handicaps eller med mangel på erfaringer eller viden, medmindre de er under overvågning eller har fået instruktioner i brugen af værktøjet af en person, der er ansvarlig for deres sikkerhed.
- ◆ Børn skal holdes under opsyn, så det sikres, at de ikke leger med værktøjet.

## Yderligere sikkerhedsvejledninger for batterier og ladere

### Batterier

- ◆ Forsøg aldrig at åbne den af en eller anden grund.
- ◆ Batteriet må ikke udsættes for fugt.
- ◆ Opbevar ikke batterier på steder, hvor temperaturen kan overstige 40°C.
- ◆ Foretag kun opladning ved omgivelsestemperaturer mellem 10°C og 40°C.
- ◆ Oplad kun ved hjælp af den medfølgende lader.
- ◆ Følg ved bortskaffelse af batterier vejledningen i afsnittet "Miljøbeskyttelse".

### Opladere

- ◆ Brug kun din STANLEY FATMAX-lader til at oplade batteriet i det værktøj, som den blev leveret sammen med. Andre batterier kan eksplodere og forårsage kvæstelser og materielle skader.
- ◆ Forsøg aldrig at oplade ikke-genopladelige batterier.
- ◆ Udskift straks defekte ledninger.
- ◆ Opladeren må ikke udsættes for fugt.
- ◆ Opladeren må ikke åbnes.
- ◆ Undersøg ikke opladeren.



Opladeren er kun beregnet til indendørs brug.



Læs brugervejledningen, før værktøjet tages i brug.

## Elektricitet og sikkerhed



Opladeren er dobbelt isoleret. Derfor er en jordledning ikke nødvendig. Kontroller altid, at netspændingen svarer til spændingen på typeskiltet. Forsøg aldrig at erstatte opladerenheden med et almindeligt netstik.

- ◆ Hvis netledningen beskadiges, skal den udskiftes af producenten eller et autoriseret STANLEY FATMAX-værksted, så farlige situationer undgås.

### Mærkatet på apparatet

Følgende advarselssymboler findes på apparatet sammen med datokoden:



Læs vejledningen inden brug.



Bær beskyttelses- eller sikkerhedsbriller, når du bruger dette apparat.



Bær egnet høreværn, når du bruger dette apparat.



Fjern altid batteriet fra apparatet, før du udfører nogen form for rengøring eller vedligeholdelse.



Udsæt ikke apparatet for regn eller høj fugtighed.



Direktiv 2000/14/EF garanteret lydeffekt.

### Funktioner

Dette apparat leveres med nogle af eller alle de følgende komponenter.

1. Hovedhåndtag
2. Trykrenserenhed
3. Vandindtag
4. Triggerlås
5. Batteriets udløsningsknap
6. Batteripakke
7. Tænd/sluk-udløser

8. Hurtigforbindelsesfilter (medfølger)
9. Hurtigforbindelsesstang til trykrenser (medfølger STZQDW1)
10. 5-i-1-mundstykke (medfølger STZ5N1)
11. Sæbeflaske (tilbehør STZSBSK3: Rengørings sæt)
12. Sugslange (medfølger STZIHK2)
13. Slangekonnektor med hurtigforbindelse (medfølger STZIHK2)
14. Flydekugle (medfølger STZIHK2)
15. Haveslangeadapter (medfølger)
16. Kort stang (tilbehør STZSW1)
17. Børste (tilbehør STZSBSK3: Rengørings sæt)
18. Gummiskraber (tilbehør STZSBSK3: Rengørings sæt)
19. Spand (tilbehør STZB1)

### Udskiftning af et batteri

STANLEY FATMAX opladere er designet til at oplade STANLEY FATMAX batteripakker.

- ◆ Indsæt opladeren i en passende udgang.
- ◆ Indsæt batteripakken og placer den korrekt. Den grønne lampe for opladning blinker kontinuerligt under opladning.
- ◆ Opladningen er afsluttet, når den grønne lampe for opladning lyser konstant. Batteripakken kan efterlades i opladeren eller tages ud.
- ◆ Genoplad afladede batterier så hurtigt som muligt efter brug, da batteriets levetid ellers kan blive stærkt formindret.  
For længste batterilevetid, aflad ikke batterierne helt. Opladning af batterierne efter hver brug anbefales.

### Fejlsøgning på opladeren

Denne oplader er udviklet til at registrere visse problemer, der kan opstå med batteripakker eller strømkilden. Problemerne angives med et LED blink i forskellige mønstre.

### Dårligt batteri

Opladeren kan registrere et svagt eller beskadiget batteri. LED blinker i det mønster der er angivet på mærkatet. Hvis du ser dette dårlige batteriblinkmønster, forsæt ikke med at oplade batteriet. Returnér det til et servicecenter eller til et indsamlingssted til genbrug.

### Varm/kold pakkeforsinkelse

Når opladeren registrerer et batteri, der er alt for varmt eller alt for koldt, starter den automatisk en varm/kold pakkeforsinkelse og indstiller opladningen, indtil batteriet er blevet normaliseret. Efter dette er sket, skifter opladeren automatisk til pakkeopladningsfunktionen. Denne funktion sikrer maksimal batterilevetid.

Lampen blinker i det mønster, der er angivet på mærkatet.

## Lad batteriet blive siddende i opladeren

Du kan lade batteripakken sidde i laderen med tændt lysdiode, så længe det ønskes. Opladeren holder batteripakken klar og fuldt opladet.

Denne oplader indeholder en automatisk optuningstilstand, som er lige med eller skaber balance i de enkelte celler i batteripakken, så den kan fungere ved maks. kapacitet.

Batteripakker bør tunes op hver uge, eller hver gang batteriet ikke længere giver den samme mængde arbejde. For at bruge den automatiske optuningstilstand skal batteripakken placeres i opladeren og efterlades i mindst 8 timer.

## Vigtige bemærkninger om opladning

- ◆ Den længste levetid og bedste ydeevne kan opnås, hvis batteripakken oplades, når lufttemperaturen ligger mellem 18 ° – 24 °C. Oplad IKKE batteripakken ved en lufttemperatur under +4,5 °C eller over +40 °C. Dette er vigtigt og vil forhindre alvorlig beskadigelse af batteripakken.
- ◆ Opladeren og batteripakken kan blive for varm at røre ved under opladning. Dette er normalt og angiver ikke et problem.  
For at lette køling af batteripakken efter brug, undgå at placere opladeren eller batteripakken i varme omgivelser, som f.eks. i et metalskur eller i en uisoleret trailer.
- ◆ Hvis batteripakken ikke oplades ordentligt:
  - ◆ Kontroller kontaktens funktion ved at tilslutte en lampe eller et andet apparat;
  - ◆ Kontrollér for at se om kontakten er tilsluttet til en lyskontakt, som slår strømmen fra, når du slukker for lyset;
  - ◆ Flyt opladeren og batteripakken til et sted, hvor den omgivende lufttemperatur er ca. 18 ° – 24 °C;
  - ◆ Hvis der stadig er opladningsproblemer, tag værktøjet, batteripakken og opladeren til dit lokale servicecenter.
- ◆ Batteripakken skal genoplades, når den ikke giver tilstrækkelig strøm til de opgaver, som tidligere let blev udført. FORTSÆT IKKE med at bruge den under disse forhold. Følg opladningsproceduren. Du kan også oplade en delvist brugt pakke, når du ønsker det uden nogen negativ indflydelse på batteripakken.
- ◆ Fremmede materialer af en ledende art som for eksempel, men ikke begrænset til slibestøv, metalspånere, ståluld, aluminiumsfolie eller anden koncentration af metalliske partikler skal holdes på afstand af opladerens huller. Tag stikket til opladeren ud før forsøg på at rengøre den.
- ◆ Frys ikke eller nedsenk opladeren i vand eller andre væsker.

## Sådan installeres batteripakken (fig. G)

**Bemærk:** Kontrollér, at batteripakken (6) er helt opladet før brug, for at få de bedste resultater.

- ◆ Løft og hold dækslet til batterirummet (6b) oppe for at eksponere batteriåbningen (6c).

- ◆ Ret batteripakken ind efter skinnerne i værktøjets batteriåbning (6c), og skub den ind i batteriåbningen, indtil batteripakken sidder godt fast i værktøjet, og sørg for, at den ikke løsner sig.
- ◆ Luk dækslet til batterirummet (6b). Sørg for, at dækslet er låst helt fast, inden du starter værktøjet.

## Sådan fjernes batteripakken (fig. G)

- ◆ Løft og hold dækslet til batterirummet (6b) oppe for at eksponere batteripakken (6).
- ◆ Tryk på batteriets udløserknap (6a) på batteripakken (6) og træk batteripakken godt ud af værktøjet.
- ◆ Isæt batteripakken i opladeren, som beskrevet i opladerafsnittet i denne vejledning.

## Samling

**Advarsel!** For at mindske risikoen for alvorlige personskader, skal du slukke for enheden og tage batteriet ud, før du foretager justeringer eller fjerner/installerer tilbehør. Start ved et uheld kan medføre personskade.

## Påmontering af hurtigforbindelsesfilter (fig. A)

Denne trykreenser skal bruges med hurtigforbindelsesadapterne. Have- eller sugeslangen kan kun påmonteres, når hurtigforbindelsesfilteret (8) er installeret.

- ◆ For at slutte hurtigforbindelsesfilteret (8) til trykreenser (2) skal du placere enden af hurtigforbindelsesfilteret på vandindtaget (3). Stram hurtigforbindelsesfilteret med hånden.

**Bemærk:** Undgå skæv fastskruining ved installation af slangen. Skæv fastskruining vil forårsage lækager.

## Påmontering af sprøjtstænger, sæbeflaske eller andet tilbehør (fig. B)

Sprøjtstangen, sæbeflasken og andet tilbehør (sælges separat) kan sluttes til trykreenser. Sådan sluttes sprøjtstængerne (9) (16) og sæbeflasken (11) til trykreenser (2):

- ◆ Indsæt tilbehørets ende i åbningen på trykreenser (2). Skub tilbehøret ind og drej det med uret, indtil det er fastgjort i driftsposition.
- ◆ For at fjerne tilbehøret skal du skubbe tilbehøret ind og dreje det mod uret og trække fra trykreenser (2).

**Bemærk:** Andet tilbehør kan bruges med denne trykreenser. Se afsnittet Tilbehør.

## Påmontering af have- eller sugeslangen (fig. C, D)

Tilslutning af haveslangen eller sugeslangen afhænger af det arbejde, der skal udføres.

## Påmontering af haveslangen (fig. C)

Denne trykreenser skal bruges med hurtigforbindelsesadapterne.

- ◆ For at slutte slangeadapteren med hurtigforbindelse (13) til en haveslange skal du skrue slangeadapteren med hurtigforbindelse til enden af haveslangen. Stram haveslangen med hånden.

**Bemærk:** Undgå skæv fastskriving ved installation af slangen. Skæv fastskriving vil forårsage lækager.

**Bemærk:** Inden haveslangen sluttes til trykreenser, skal du lade vand løbe gennem haveslangen i trediv sekunder for at fjerne eventuelt snavs fra havetrykslangens mund.

- ◆ For at slutte slangeadapteren med hurtigforbindelse (16) til hurtigforbindelsesfilteret (3) på trykreenser (2) skal du skubbe slangeadapteren med hurtigforbindelse godt fast på hurtigforbindelsesfilteret.

**Bemærk:** Inden brug bør du trække forsigtigt i haveslangen for at sikre, at forbindelsen er god. Sørg for, at slangeadapteren med hurtigforbindelse flugter med hurtigforbindelsesfilteret, som vist i figur D.

- ◆ Frakobl altid haveslangen efter brug. For at frakoble den skal du trække manchetten tilbage på slangeadapteren med hurtigforbindelse og fjerne den fra hurtigforbindelsesfilteret.

### Påmontering af sugeslangen (fig. C, E)

Brug sugeslangen til at trække vand fra en spand eller en anden ferskvandskilde.

**Bemærk:** Brug den ikke til at suge sæbe, kemikalier, snavs eller korrosive væsker, såsom vinduesrens, plantegødning, kunstgødning eller blegemiddel. Brug ikke saltvand.

- ◆ For at slutte slangeadapteren med hurtigforbindelse (13) for enden af sugeslangen til hurtigforbindelsesfilteret (3) på trykreenser (2) skal du skubbe slangeadapteren med hurtigforbindelse godt fast på hurtigforbindelsesfilteret.

**Bemærk:** Inden brug bør du trække forsigtigt i haveslangen for at sikre, at forbindelsen er god. Sørg for, at slangeadapteren med hurtigforbindelse flugter med sugeslangen flugter med hurtigforbindelsesfilteret, som vist i den indlagte figur E.

- ◆ Placer den anden ende af sugeslangen med filteret på den i beholderen med ferskvand eller en ferskvandskilde. Juster flyderen på sugeslangen, så filteret bliver ved med at være dækket af væsken.
- ◆ Vælg det korrekte mundstykke, der skal anvendes. Se afsnittet Sådan bruges multispraymundstykket.
- ◆ Efter den udførte opgave er afsluttet, skal du placere sugeslangen i beholderen med rent vand og trække det rene vand gennem systemet for at skylle det.

### Sådan sættes 5-i-1-mundstykket fast på sprøjtestangen

**Advarsel!** Risiko for væskeindsprøjtning.

Affyr ikke vandstrøm mod personer, ubeskyttet hud, øjne eller kæledyr eller andre dyr. Det vil resultere i alvorlig personskade.

**Advarsel!** Flyvende genstande kan forårsage alvorlig personskade. Forsøg IKKE at udskifte mundstykker, mens trykreenser er i gang. Slå trykreenser fra, inden du udskifter mundstykker.

- ◆ For at slutte manchetten (10) til sprøjtestangen (9) skal du trække hurtigforbindelsesmanchetten mod sprøjtestangen og indsætte mundstykket.
- ◆ Frigør hurtigforbindelsesmanchetten for at låse mundstykket på plads.
- ◆ For at sikre, at mundstykket er låst fast, skal du trække godt i mundstykket, efter hurtigforbindelseskraven er låst fast.

### Sådan bruges sprøjtestangen (fig. F)

Et variabelt 5-i-1 spraymundstykke (10) følger med denne trykreenser.

- ◆ For at justere trykket af dette variable mundstykke (10) skal du dreje spidsen med uret eller mod uret for den ønskede strømning.
  - ◆ En smal spray er god til at rengøre griller, indkørsler, fortove og murværk.
  - ◆ En bred spray er god til at rengøre brodæk, vinyl, malede overflader, autocampere og stuk.

**Bemærk:** Højtryksprayeren fra din trykreenser kan forårsage skader på overflader såsom træ, glas, bilmaling, bilstriber og -indtræk samt sarte genstande som blomster og buske. Inden sprøjtning skal du kontrollere genstanden, der skal renses, for at sikre dig, at den er stærk nok til at modstå skader fra sprayens kraft.

### Korrekt håndposition (fig. H)

**Advarsel!** For at reducere risikoen for alvorlig personskade skal du ALTID anvende den rette håndposition som vist.

**Advarsel!** For at reducere risikoen for alvorlig personskade skal du ALTID holde godt fast i tilfælde af en pludselig reaktion.

Det er nødvendigt med én hånd på hovedhåndtaget (1) og den anden hånd på trykreenserens (2) krop som vist.

### Trykreensning

#### Forberedelse af overfladen til rengøring

- ◆ Fjern genstande fra området, som kan udgøre en fare.
- ◆ Sørg for, at alle døre og vinduer er tæt lukkede. Beskyt alle planter og træer i det tilstødende område med et stykke stof, og sørg for, at de ikke bliver skadet af oversprøjtning.
- ◆ Forskyl rengøringsområdet med ferskvand.
- ◆ Brug kun rengøringsmidler, der er beregnet til trykreenser.
- ◆ Test altid rengøringsmiddel på et usynligt område inden brug.



## Forberedelse af trykreenserhed til brug

**Advarsel!** Risiko for væskeindsprøjtning og flænger. Når du bruger højtryksindstillingen må du IKKE lade højtrykssprayen komme i kontakt med ubeskyttet hud, øjne eller med kæledyr eller andre dyr. Det vil resultere i alvorlig personskade.

**Advarsel!** Inden drift:

- ◆ Slut vandforsyningen til trykreenser. Få instruktioner til at slutte vandforsyningen til trykreenser under Påmontering af have- eller sugeslangen under Samling og justeringer.
- ◆ Tilslut tryksprøjttestangen, sæbeflasken eller andet tilbehør.  
Få instruktioner til at tilslutte tryksprøjttestangen under Påmontering af sprøjtstænger, sæbeflaske eller andet tilbehør under Samling og justeringer.

## Forberedelse af trykreenser

**Vigtigt:** Frakobl triggerlåsen (4), tryk på triggeren (7) og hold triggeren nede i 30 sekunder for at tømme systemet for luft. Hvis der stadig findes luft i vandstrømmen, skal du fortsætte med at lade vand løbe gennem sprøjtehandtaget.

- ◆ Deaktiver triggerlåsen (4).
- ◆ Tryk på triggeren (7).

## Rengøring af en overflade

**Advarsel!** Risiko for personskade fra spray. Aktiver altid triggerlåsen, når pistolen ikke anvendes. Ellers kan det forårsage utilsigtet sprøjtning.

- ◆ For at starte trykreenser skal du frakoble triggerlåsen (4) og trykke på triggeren (7).

**Bemærk:** Den bedste vinkel til at sprøjte vand mod en rengøringsoverflade er 45°. Når der sprøjtes direkte på overfladen, er der tendens til, at der lejres snavepartikler i overfladen. Når der arbejdes på lodrette overflader, er det bedst at anvende rengøringsmiddel fra bunden og arbejde sig opad, hvilket vil forhindre, at vaskemidlet glider ned og forårsager striber.

- ◆ Slip triggeren for at stoppe trykreenser.

**Bemærk:** Et for højt pumpetryk kan være resultatet af et tilstoppet mundstykke eller messingkobling.

Sluk altid for trykreenser, og fjern batteriet, inden du forsøger at fjerne blokeringen i et mundstykke eller en messingkobling.

**Advarsel!** Tilfør aldrig vand, der indeholder kemikalier. Tilfør kun vand fra ferskvandskilder.

## Nedlukning

- ◆ Slip triggeren og tag batteriet ud for at stoppe trykreenser.
- ◆ Sluk for vandet ved vandhanen.
- ◆ Tøm resttrykket ved at trykke på triggeren (7), indtil der ikke kommer mere vand ud af sprøjttestangen (9).
- ◆ Frakobl haveslangen fra vandindtaget (3) og drænings-slangen.

- ◆ Fjern haveslangen fra trykreenser ved at trække manchetten tilbage på slangeadapteren med hurtigforbindelse og fjern den fra hurtigforbindelsesfilteret.

## Vedligeholdelse

**Advarsel!** For at mindske risikoen for alvorlige personskader, skal du slukke for enheden og tage batteriet ud, før du foretager justeringer eller fjerner/installerer tilbehør. Start ved et uheld kan medføre personskade.

## Rengøring

**Advarsel!** Blæs snavs og støv ud af alle udluftninger med rent, tørt luft mindst én gang om ugen.

Bær altid beskyttelsesbriller for at minimere risikoen for øjenskader, når du udfører denne procedure.

**Advarsel!** Brug aldrig opløsningsmidler eller andre kraftige kemikalier til at rengøre værktøjets ikke-metalliske dele. Disse kemikalier kan svække de plastmaterialer, der anvendes i disse dele. Brug en klud, der kun er fugtet med vand og mild sæbe. Lad aldrig væske trænge ind i værktøjet, og nedsænk aldrig nogen del af værktøjet i en væske.

## Mundstykke

Hvis mundstykket bliver tilstoppet med fremmedlegemer, såsom snavs, kan der blive udviklet højt tryk.

Hvis mundstykket bliver delvist tilstoppet eller begrænset, pulserer pumpetrykket. Rengør mundstykket med det samme.

- ◆ Sluk for trykreenser (2) og sluk for vandforsyningen.
- ◆ Træk i triggeren (7) på hovedhåndtaget (1) for at frigive eventuelt vandtryk.
- ◆ Fjern mundstykket fra sprøjttestangen (9) ved at trække hurtigforbindelsesmanchetten (10) mod sprøjttestangen.
- ◆ Fjern evt. blokeringer af snavs fra mundstykket.
- ◆ Lad vand fra en vandhane eller haveslange løbe gennem mundstykket.

## Sæbeflaske

- ◆ Sluk for trykreenser og luk for vandforsyningen for at rengøre sæbeflasken.
- ◆ Træk i triggeren på pistolhåndtaget for at frigive eventuelt vandtryk.
- ◆ Afkobl sæbeflasken (11) fra trykreenser og løsn sæbeflaskedysen.
- ◆ For at rengøre sæbeflasken (11) skal eventuelt resterende rengøringsmiddel tømmes i dets beholder. Brug vand fra en haveslange til at skylle flasken grundigt. Tøm flasken, og lad den tørre.
- ◆ Genmonter sæbeflaskedysen på sæbeflasken.

## Sugeslange

- ◆ For at rengøre sugeslangen (12) skal du slukke for trykreenser.
- ◆ Træk i triggerkontakten for at frigive eventuelt vandtryk.

- ◆ Afkobl sugeslangen (12) fra trykreuseren.
- ◆ For at rengøre sugeslangen skal du bruge vand fra en haveslange til at skylle sugeslangen grundigt og lade den tørre.

## Sugeslangefilter (fig. J)

- ◆ Drej filteret (20) på enden af sugeslangen (12) mod uret, og fjern det. Fjern sigten fra filterets inderside. Skyl alle delene med rent vand og genmonter.

## Hurtigforbindelsesfilter (fig. K)

- ◆ Træk manchetten tilbage på slangeadapteren med hurtigforbindelse og fjern have- eller sugeslangen fra hurtigforbindelsesfilteret ( 8 ).
- ◆ Fjern hurtigforbindelsesfilteret fra trykreuseren.
- ◆ Inde i hurtigforbindelsesfilteret ( 8 ) er der et skærmfilter ( 22 ). Fjern skærmfilteret, skyl det med rent vand, og genmonter det.

## Opbevaring

- ◆ Tøm altid vandet helt fra sugeslange, trykreuser, sprøjtestang, mundstykker og sæbeflaske.
- ◆ Opbevares et tørt, overdækket sted over frysepunktet. OPBEVARES INDENDØRS.

## Tilbehør

**Advarsel!** Da andet tilbehør end det, som stilles til rådighed af STANLEY FATMAX, ikke er afprøvet med dette produkt, kan det være farligt at bruge sådant tilbehør med dette værktøj. For at mindske risikoen for personskade må dette produkt kun anvendes med tilbehør, som anbefales af STANLEY FATMAX. Du kan købe det anbefalede tilbehør til dit værktøj hos din lokale forhandler eller autoriserede servicecenter. Hvis du har brug for hjælp til at finde tilbehør, bedes du kontakte [www.blackanddecker.co.uk](http://www.blackanddecker.co.uk).

**STZHK2:** SFM Indløbslange, slangeadapter SÆT

**STZBSK3:** SFM Rengørings-SÆT (børste, gummiskrabere, sæbeflaske)

**STZSW1:** SFM Kort stang

**STZ5N1:** SFM 5-i-1-mundstykke

**STZB1:** SFM Spand

**STZQDW1:** SFM Stang med hurtig aftagning

## Miljøbeskyttelse



Særskilt bortskaffelse. Produkter og batterier mærket med dette symbol må ikke bortskaffes sammen med normalt husholdningsaffald.

Produkter og batterier indeholder materialer, der kan genvindes eller genbruges og således reducere efterspørgslen efter råvarer. Genbrug venligst elektriske produkter og batterier i henhold til lokale regulativer.

## Tekniske data

		SFMCPC93
Tryk	(BAR)	24
Vandstrøm	(l/l)	120
Batteri	DC	18V
Indløbslange		6 m
Tryk af indløbsvand	(BAR)	1,4 - 6,9
Indløbsvand		Kold hane 0
Sæbeforbrugsprocent		10 % MAKS.

		SFMCB12
Indgangsspænding	$V_{ac}$	230
Udgangsspænding	$V_{dc}$	18
Nuværende	A	2

Batteri		SFMCB202	SFMCB204	SFMCB206
Spænding	$V_{dc}$	18	18	18
Kapacitet	Ah	2.0	4.0	6.0
Type		Li-Ion	Li-Ion	Li-Ion

Emissionslydtrykniveau  $L_{PA}$ : 75,0 dB(A)

Usikkerhed K= 3 dB(A)

Målt lydeffektniveau  $L_{WA}$ : 86,0 dB(A)

Usikkerhed K= 1,6 dB(A);

Undertegnede er ansvarlig for udarbejdelsen af de tekniske data og fremsætter denne erklæring på vegne af STANLEY FATMAX.

*Patrick Diepenbach*

Patrick Diepenbach  
Generaldirektør, Benelux  
Black and Decker,  
Egide Walschaertsstraat 14-18  
2800 Mechelen, Belgien  
30-11-2020

## Garanti

STANLEY FATMAX er sikker på kvaliteten af sine produkter og giver forbrugerne en garanti på 12 måneder fra købsdatoen. Garantien er et tillæg til forbrugers lovbestemte rettigheder og påvirker ikke disse. Garantien er gyldig inden for medlemsstaterne af Den Europæiske Union og Det Europæiske Frihandelsområde.

Når du gør krav på garantien, skal kravet være i overensstemmelse med STANLEY FATMAX vilkår og betingelser, og du skal indsende dokumentation for købet til sælgeren eller til en autoriseret reparatør. Vilkår og betingelser for STANLEY FATMAX 1 års garanti og placeringen af dit nærmeste autoriserede serviceværksted kan fås på internettet på [www.2helpU.com](http://www.2helpU.com), eller ved at kontakte dit lokale STANLEY FATMAX kontor på den adresse, der er angivet i denne vejledning. Besøg venligst vores websted [www.stanley.eu/3](http://www.stanley.eu/3) for at registrere dit nye STANLEY FATMAX-produkt og modtage opdateringer om nye produkter og specielle tilbud.

## Käyttötarkoitus

STANLEY FATMAX SFMCP93 -paineesuri on tarkoitettu veneiden, autojen, kansion/taσοjen, ajöväylien, grillien, rakennusten sivustojen, moottoripyörien, terrassien ja ulkokalusteiden pesemiseen. Nämä laitteet on tarkoitettu vain yksityiskäyttöön.

## Turvallisuusohjeet

**Varoitus!** Sähkölaitteita / johdottomia laitteita käytettäessä on aina noudatettava asianmukaisia turvaohjeita, jotta tulipalojen, sähköiskujen, henkilövahinkojen ja materiaalivaurioiden riski olisi mahdollisimman pieni.



Älä koskaan suuntaa vesisuihkua ihmisiin, eläimiin, koneisiin tai sähköosiin.

**Varoitus!** Suuripaineiset suihkut voivat olla vaarallisia väärinkäytettyinä.



Soveltuvien määräyksien mukaisesti laitetta ei saa koskaan käyttää vesijohtoverkossa ilman järjestelmäerotinta. Käytä erotinta standardin IEC 61770 tyytin BA mukaisesti.

Järjestelmäerotin läpi virtaava vesi ei ole juomakelpoista.

- ◆ Lue nämä ohjeet huolellisesti ennen laitteen käyttöä.
- ◆ Käyttötarkoitus kuvataan ohjeissa. Muiden kuin ohjeissa suositeltujen lisävarusteiden tai -osien käyttö sekä laitteen käyttö muuhun kuin oppaassa suositeltuun tarkoitukseen voi aiheuttaa henkilövahingon vaaran.
- ◆ Säilytä tämä käyttöohje tulevaa tarvetta varten.

## Laitteen käyttö

Ole aina huolellinen käyttäessäsi laitetta.

- ◆ Nestettä tai höyryä ei saa suunnata kohti laitteita, joissa on sähköosia (esim. uunin sisäosa).
- ◆ Laitetta ei saa käyttää, jos se on pudonnut, jos siinä on vaurioiden merkkejä tai jos se vuotaa.
- ◆ Käytä aina suojalaseja.
- ◆ Lapset, fyysisesti, aistillisesti tai henkisesti puutteelliset tai kokemattomat ja kouluttamattomat henkilöt, jotka eivät tunne näitä ohjeita, eivät saa koskaan käyttää konetta. Paikalliset määräykset voivat asettaa käyttäjän ikärajoituksia. Älä koskaan käytä laitetta muiden henkilöiden (erityisesti lapsien) tai eläinten läheisyydessä.
- ◆ Älä anna lasten tai eläinten tulla lähelle työskentelyaluetta tai koskea laitteeseen tai sähköjohtoon.
- ◆ Jos laitetta käytetään lasten läheisyydessä, on oltava tarkkaavainen.

- ◆ Tätä laitetta ei ole tarkoitettu nuorten tai lihasvoimaltaan heikkojen henkilöiden käyttöön ilman valvontaa.
- ◆ Laitetta ei tule käyttää leluna.
- ◆ Käytä laitetta vain päivänvalossa tai hyvin valaistulla alueella.
- ◆ Soveltuu vain kuivaan käyttöympäristöön. Älä anna laitteen kastua.
- ◆ Vältä käyttämästä laitetta epäsuotuisissa sääolosuhteissa, varsinkin silloin, kun on olemassa salamoinnin vaara.
- ◆ Älä upota laitetta veteen.
- ◆ Älä avaa koneen koteloa. Sen sisällä ei ole käyttäjän huollettavissa olevia osia.
- ◆ Älä käytä laitetta räjähdysalttiissa ympäristössä, jossa on syttyvää nestettä, kaasua tai pölyä.
- ◆ Laitteen kanssa tulee käyttää ainoastaan sen mukana toimitettua virtalähdettä.

## Muut riskit.

Myös muut kuin turvavaroituksissa mainitut riskit ovat mahdollisia laitetta käytettäessä.

Nämä riskit voivat liittyä muun muassa virheelliseen tai pitkäaikaiseen käyttöön. Tiettyjä jäännösriskejä ei voi välttää, vaikka noudatat kaikkia turvamääräyksiä ja käytät turvalaitteita.

Näitä ovat:

- ◆ Pyörivien tai liikkuvien osien koskettamisen aiheuttamat vahingot.
- ◆ Osia, teriä tai lisävarusteita vaihdettaessa aiheutuneet vahingot.

- ◆ Työkalun pitkäaikaisen käytön aiheuttamat vahingot. Varmista, että pidät säännöllisesti taukoja laitteen pitkäaikaisen käytön aikana.
- ◆ Kuulon heikkeneminen.
- ◆ Työkalua käytettäessä (esimerkiksi puuta, erityisesti tammea, pyökkiä ja MDF-levyjä käsiteltäessä) syntyneen pölyn sisäänhengityksen aiheuttamat terveysriskit.

## Käytön jälkeen

- ◆ Kun laitetta ei käytetä, säilytä sitä kuivassa, hyvin tuuletetussa paikassa poissa lasten ulottuvilta.
- ◆ Pidä laite lasten ulottumattomissa.
- ◆ Kun laitetta säilytetään tai kuljetetaan ajoneuvossa, sijoita se tavaratilaan tai kiinnitä se kunnolla, ettei se matkan aikana pääse liikkumaan.

## Tarkastus ja korjaus

- ◆ Tarkista ennen laitteen käyttöä, ettei laitteessa ole vahingoittuneita tai viallisia osia. Tarkista osien ja kytkimien kunto sekä muut seikat, jotka voivat vaikuttaa laitteen toimintaan.
- ◆ Älä käytä laitetta, jos jokin sen osa on vahingoittunut tai viallinen.
- ◆ Korjauta tai vaihdata vaurioituneet tai vialliset osat valtuutetussa huoltoliikkeessä.
- ◆ Älä yritä korjata tai vaihtaa muita kuin tässä käyttöohjeessa erikseen määriteltyjä osia.

## Painepesuria koskevat lisäturvaohjeet

Käyttötarkoitus kuvataan ohjeissa.

Käytä laitetta ainoastaan sellaiseen työhön, johon se on tarkoitettu, ja käytä vain käyttöohjeessa ja tuotekuvastossa suositeltuja tarvikkeita ja lisälaitteita. Ohjeesta poikkeava käyttö voi aiheuttaa henkilö- ja/tai omaisuusvahinkoja.

- ◆ Suojaa jalkateräsi ja sääresi laitteen käytön aikana käyttämällä aina tukevia jalkineita ja pitkiä housuja.
- ◆ Sammuta aina laite, anna puhallinyksikön pysähtyä ja irrota akku, kun:
  - ◆ poistut laitteen läheisyydestä
  - ◆ selvität tukosta
  - ◆ tarkastat, säädät, puhdistat tai huollat laitetta
  - ◆ laite alkaa täristä epänormaalisti.
- ◆ Älä aseta painepesurin otto- tai poistoaukkoa silmien tai korvien lähelle laitteen ollessa käynnissä. Älä koskaan suuntaa laitetta sivullisia kohti.
- ◆ Älä käytä laitetta sateessa tai jätä sitä ulos sateeseen.
- ◆ Älä kulje hiekkapolkujen tai -teiden yli, kun laite on käynnissä. Kävele, älä juokse.
- ◆ Älä aseta laitetta maahan hiekan päälle, kun laite on käynnissä.
- ◆ Varmista tukeva jalansija etenkin rinteissä. Älä kurkota ja seiso aina tukevasti tasapainossa.
- ◆ Älä aseta mitään esineitä laitteen aukkoihin.

Älä käytä laitetta, jos sen aukot ovat tukkeutuneet. Puhdista aukot hiuksista, nukasta, pölystä ja muista hiukkasista, jotka voivat vähentää ilmavirtausta.

**Varoitus!** Käytä laitetta aina tämän käyttöoppaan ohjeiden mukaan. Laite on tarkoitettu käytettäväksi pystyasennossa, ja sen käyttäminen muulla tavalla voi aiheuttaa vamman. Älä käynnistä laitetta sen ollessa kyljellään tai ylösalaisin.

- ◆ Laitteen käyttäjä on vastuussa muille henkilöille tai omaisuudelle aiheutuneista onnettomuuksista tai vaaratilanteista.
- ◆ Älä puhdista laitetta liuottimilla tai puhdistusnesteillä. Irrota ruoho ja lika tylpällä kaapimella.
- ◆ Varmista säännöllisesti, ettei keräyspussi ole kulunut tai rikkoutunut.
- ◆ Puhallinyksiköitä myyvät STANLEY FATMAX -tuotteiden jälleenmyyjät. Käytä ainoastaan STANLEY FATMAXin suosittelemia varaosia ja lisävarusteita.
- ◆ Turvallisuussyistä tulee varmistaa, että kaikki laitteen mutterit, pultit ja ruuvit on kiristetty.

## Muiden henkilöiden turvallisuus

- ◆ Tämä laite ei ole tarkoitettu henkilöiden (mukaan lukien lapset) käytettäväksi, joiden fyysiset, sensoriset tai henkiset kyvyt tai kokemus ja tietämys ovat rajalliset, ellei heidän turvallisuudestaan vastuussa oleva henkilö valvo tai ohjaa heitä laitteen käytössä.

- ♦ Lapsia tulee valvoa ja varmistaa, että he eivät leiki laitteella.

## Akkuja ja laturia koskevat lisäturvaohjeet

### Akut

- ♦ Älä koskaan yritä avata mistään syytä.
- ♦ Älä anna akun kastua.
- ♦ Älä säilytä akkuja tiloissa, joissa lämpötila voi nousta yli 40 °C:een.
- ♦ Lataa akku paikassa, jonka lämpötila on vähintään 10 °C ja enintään 40 °C.
- ♦ Lataa akku ainoastaan työkalun mukana toimitetulla laturilla.
- ♦ Noudata akkujen hävittämisessä Ympäristönsuojelu-kohdassa esitettyjä ohjeita.

### Laturit

- ♦ Käytä STANLEY FATMAX-laturia vain laitteen mukana toimitetun akun lataamiseen. Muut akut voivat räjähtää ja aiheuttaa henkilövahinkoja tai aineellisia vahinkoja.
- ♦ Älä koskaan yritä ladata akkuja, joita ei ole tarkoitettu ladattavaksi.
- ♦ Vaihda vialliset johdot välittömästi ehiin.
- ♦ Älä altista laturia vedelle.
- ♦ Älä avaa laturia.
- ♦ Älä työnnä mitään laturin sisään.



Laturi on tarkoitettu ainoastaan sisäkäyttöön.



Lue käyttöohjeet huolellisesti ennen laitteen käyttöä.

## Sähköturvallisuus



Laturi on kaksoiseristetty, joten erillistä maadoitusta ei tarvita. Tarkista aina, että verkkojännite vastaa arvokilvessä ilmoitettua jännitettä. Älä yritä vaihtaa laturiin tavallista verkkovirran pistoketta.

- ♦ Jos virtajohto vahingoittuu, sen vaihtaminen on turvallisuussyistä jätettävä valmistajan tai valtuutetun STANLEY FATMAX-huollon tehtäväksi.

### Laitteessa olevat merkinnät

Työkaluun on merkitty päivämääräkoodi sekä seuraavat varoitusmerkit:



Lue käyttöohje ennen laitteen käyttöönottoa.



Käytä suojalaseja, kun käytät laitetta. Käytä asianmukaisia kuulosuojaimia, kun käytät laitetta.



Irrota akku aina laitteesta ennen sen puhdistusta tai huoltoa.



Älä käytä laitetta sateessa tai erittäin kosteissa olosuhteissa.



Direktiivin 2000/14/EY mukainen taattu ääniteho.

### Yleiskuvaus

Tässä laitteessa on kaikki tai joitakin seuraavista ominaisuuksista.

1. Pääkahva
2. Painepesuri
3. Vedenottoaukko
4. Liipaisimen lukitus
5. Akun vapautuspainike
6. Akku
7. Virtakytkin
8. Suodatin pikaliittimellä (sisältyy pakkaukseen)

9. Painepesurin varsi pikaliittimellä (sisältyy malliin STZQDW1)
10. Sin1-suulake (sisältyy malliin STZ5N1)
11. Pesuainepullo (lisävaruste STZSBSK3: puhdistuspaketti)
12. Imuletku (sisältyy malliin STZIHK2)
13. Letkuliitin pikaliittimellä (sisältyy malliin STZIHK2)
14. Kellukepalo (sisältyy malliin STZIHK2)
15. Puutarhaletkun sovitin (sisältyy pakkaukseen)
16. Lyhyt varsi (lisävaruste STZSW1)
17. Harja (lisävaruste STZSBSK3: puhdistuspaketti)
18. Kumilasta (lisävaruste STZSBSK3: puhdistuspaketti)
19. Vesiasia (lisävaruste STZB1)

## Akun lataaminen

STANLEY FATMAX-laturit on tarkoitettu STANLEY FATMAX-akkujen lataamiseen.

- ◆ Liitä laturi sopivaan pistorasiaan.
- ◆ Aseta akku hyvin paikoilleen. Vihreä latauksen merkkivalo vilkkuu jatkuvasti latauksen aikana.
- ◆ Akku on ladattu täyteen, kun vihreä latauksen merkkivalo palaa pysyvästi. Akku voidaan jättää laturiin tai irrottaa.
- ◆ Lataa tyhjennetyt akut mahdollisimman pian käytön jälkeen, muutoin akun käyttöikä voi lyhentyä. Vältä akkuvirran purkautumista kokonaan loppuun akun käyttöänsä maksimoimiseksi. Suosittelemme akkujen lataamista jokaisen käyttökerran jälkeen.

## Laturin vianmääritys

Tämä laturi on tarkoitettu havaitsemaan joitakin akkuun tai virtalähteeseen liittyviä ongelmia. Ongelmista ilmoittaa yksi eri tahtiin vilkkuva LED-merkkivalo.

## Viallinen akku

Laturi voi havaita heikkokuntoisen tai vaurioituneen akun. LED-merkkivalo vilkkuu merkissä ilmoitetulla tavalla. Jos näet tämän heikosta akun kunnosta ilmoittavan vilkkumisen, lopeta akun lataus. Vie se huoltopalveluun tai kierrätyspisteeseen.

## Kuuma-/kylmäviive

Kun laturi tunnistaa liian kuuman tai kylmän akun, se käynnistää automaattisesti akun kuuma-/kylmäviiveen, jolloin lataus käynnistyy vasta sitten, kun akku on saavuttanut oikean lämpötilan. Tämän jälkeen laturi kytketty automaattisesti akun lataustilaan. Tämä toiminto takaa akun maksimaalisen käyttöänsä. Merkkivalo vilkkuu merkissä ilmoitetulla tavalla.

## Akun jättäminen laturiin

Akkua voidaan jättää laturiin, kun merkkivalo palaa. Laturi pitää akun käyttövalmiina ja ladattuna.

Tässä laturissa on automaattinen viritystila, joka tasaa tai tasapainottaa akun yksittäiset kennot sen käyttämiseksi huipputeholla.

Akut tulee virittää viikoittain tai aina kun akun teho heikkenee.

Voit käyttää automaattista viritystila asetamalla akun laturiin ja jättämällä sen paikoilleen vähintään 8 tunnin ajaksi.

## Tärkeitä huomautuksia lataamiseen

- ◆ Käyttöikä ja teho voidaan maksimoida, jos akkua ladataan ilman lämpötilassa 18 °C - 24 °C. Akkua EI SAA ladata alle +4,5 °C tai yli +40 °C ilman lämpötilassa. Tämä on tärkeää akun vakavien vaurioiden välttämiseksi.
- ◆ Laturi ja akku voivat kuumentua latauksen aikana. Tämä on normaalia, eikä ole osoitus ongelmasta. Jotta akku jäähtyisi käytön jälkeen, vältä asettamista laturia tai akkua lämpimään ympäristöön, kuten metalliko-teloon tai eristämättömän perävaunun päälle.
- ◆ Jos akku ei lataudu oikein:
  - ◆ Tarkista pistorasian toiminta kytkemällä siihen lamppu tai jokin muu laite.
  - ◆ Tarkista valojen sammuttamisen yhteydessä virran katkaisevaa valokytkintä liitetty pistorasiaan.
  - ◆ Siirrä laturi ja akku paikkaan, jossa ympäristölämpötila on noin 18 °C - 24 °C.
  - ◆ Jos latausongelmat jatkuvat, vie työkalu akun ja laturin ohella paikalliseen huoltopalveluun.
  - ◆ Akku täytyy ladata uudelleen, kun se ei enää tuota riittävää tehoa töissä, joka voitiin aikaisemmin tehdä helposti. ÄLÄ JATKA TYÖKALUN KÄYTTÖÄ näissä olosuhteissa. Noudata latausohjeita. Voit halutessasi myös ladata osittain käytetyn akun milloin tahansa, ilman että siitä olisi haittaa akulle.
- ◆ Johtavat materiaalit kuten, mutta ei näihin rajoittuen, hiomapöly, metallihiukkaset, teräsvilla, alumiinifolio tai muu metallipartikkeleiden kasaantuma, tulee pitää poissa laturin aukoista. Irrota laturi tehonsyötöstä ennen kuin yrität puhdistaa sitä.
- ◆ Älä pakasta tai upota laturia veteen tai muihin nesteisiin.

## Akun asentaminen (kuva G)

**Huomautus:** Parhaiden tuloksien saavuttamiseksi on varmistettava, että akku (6) on ladattu täyteen.

- ◆ Nosta akkuportin kansi (6b) ja pidä sitä ylhäällä päästäksesi akkuporttiin (6c).
- ◆ Kohdista akku laitteen akkuportissa (6c) oleviin kiskoihin ja liu'uta se akkuporttiin, kunnes akku on hyvin paikoillaan laitteessa. Varmista, ettei se voi irrota.
- ◆ Sulje akkuportin kansi (6b). Varmista, että kansi on lukittu kokonaan paikoilleen ennen laitteen käynnistämistä.

## Akun irrottaminen (kuva G)

- ◆ Nosta akkuportin kansi (6b) ja pidä sitä ylhäällä päästäksesi akkuun (6).
- ◆ Paina akun vapautuspainiketta (6a) akussa (6) ja vedä akku irti.
- ◆ Laita akku laturiin, kuten käyttöohjeen laturiosassa kuvataan.

## Asennus

**Varoitus!** Vakavan henkilövahingon vaaran vähentämiseksi katkaise laitteesta virta ja poista akku ennen säätämistä tai varusteiden irrottamista tai asentamista. Tahaton käynnistymisen aiheuttaa vahingon.

## Pikaliitimellä varustetun suodattimen kiinnittäminen (kuva A)

Tätä painepesuria tulee käyttää pikaliitinsovitimilla. Puutarha- tai imuletku voidaan liittää ainoastaan silloin, kun pikaliitimellä varustettu suodatin (8) on asennettu.

- ◆ Liitä pikaliitimellä varustettu suodatin (8) painepesuriin (2), aseta pikaliitimellä varustetun suodattimen pää vedenottoaukkoon (3). Kiristä pikaliitimellä varustettu suodatin käsin.

**Huomautus:** Vältä kiertämästä ristiin letkua asentaessa. Ristiin kiertäminen aiheuttaa vuotoja.

## Suihkutusvarsi, pesuainepullo tai muiden liitososan kiinnittäminen (kuva B)

Suihkutusvarsi, pesuainepullo ja muut liitososat (myydään erikseen) liitetään painepesuriin. Suihkutusvarret (9) (16) ja pesuainepullo (11) liitetään painepesuriin (2) seuraavasti:

- ◆ Liitä liitososan pää painepesurissa (2) olevaan aukkoon. Paina sisään ja kierrä liitososa myötäpäivään, kunnes se on kiinni käyttöasennossa.
- ◆ Liitososa voidaan poistaa painamalla se sisään ja kiertämällä liitososa vastapäivään ja vetämällä painepesurista (2).

**Huomautus:** Tähän painepesuriin on saatavilla muita lisävarusteita, katso lisätietoa Lisävarusteet-osiosta.

## Puutarha- tai imuletkun kiinnittäminen (kuvat C, D)

Puutarha- tai imuletku asennetaan suorittavan toimenpiteen mukaan.

## Puutarhaletkun kiinnittäminen (kuva C)

Tätä painepesuria tulee käyttää pikaliitinsovitimilla.

- ◆ Liitä letkusovitin pikaliitimellä (13) puutarhaletkuun, kierrä letkusovitin pikaliitimellä puutarhaletkun päähän. Kiristä puutarhaletku käsin.

**Huomautus:** Vältä kiertämästä ristiin letkua asentaessa. Ristiin kiertäminen aiheuttaa vuotoja.

**Huomautus:** Anna veden virrata puutarhaletkun läpi 30 sekunnin ajan ennen puutarhaletkun liittämistä painepesuriin, jotta mahdolliset epäpuhtaudet poistuisivat puutarhaletkun päästä.

- ◆ Liitä letkusovitin pikaliitimellä (16) pikaliitimellä varustettuun suodattimeen (3) painepesurissa (2) painamalla letkusovitin pikaliitimellä hyvin pikaliitimellä varustettuun suodattimeen.

**Huomautus:** Vedä kevyesti puutarhaletkusta ennen käyttöä varmistaaksesi sen varman kiinnityksen. Varmista, että letkusovitin pikaliitimellä on tasaisesti pikaliitimellä varustettuun suodattimeen nähden kuvan D mukaisesti.

- ◆ Irrota puutarhaletku aina käytön jälkeen. Irrota vetämällä pikaliitimellä varustetussa letkusovittimessa oleva holkki taakse ja poistamalla pikaliitimellä varustettu suodatin.

## Imuletkun kiinnittäminen (kuvat C, E)

Imuletkun avulla voidaan imeä vettä vesiasiasta tai muusta puhdasvesilähteestä.

**Huomautus:** Sitä ei saa käyttää pesuaineiden, kemikaalien, likaisten tai syövyttävien nesteiden (esim. ikkunanpesuaine, lannoitteet tai valkaisuaine) imemiseen. Älä käytä suolavettä.

- ◆ Liitä imuletkun päässä oleva letkusovitin pikaliitimellä (13) pikaliitimellä varustettuun suodattimeen (3) painepesurissa (2) painamalla letkusovitin pikaliitimellä hyvin pikaliitimellä varustettuun suodattimeen.

**Huomautus:** Vedä kevyesti puutarhaletkusta ennen käyttöä varmistaaksesi sen varman kiinnityksen. Varmista, että imuletkun päässä oleva letkusovitin pikaliitimellä on tasaisesti pikaliitimellä varustettuun suodattimeen nähden kuvan E mukaisesti.

- ◆ Aseta imuletkun toinen suodattimella varustettu pää vesiasiaan tai puhdasvesilähteeseen. Säädä imuletkussa olevaa kelluketta niin, että suodatin on kokonaan nesteen peitossa.
- ◆ Valitse oikea suulake. Katso kohta Monisuihkuisen suulakkeen käyttäminen.
- ◆ Kun toimenpide on suoritettu, aseta imuletku vesiasiaan ja ime puhdasta vettä järjestelmän läpi sen huuhtelemiseksi.

## 5in1-suulakkeen kiinnittäminen suihkutusvarteen

**Varoitus!** Nesteen ruiskumisvaara. Poistoaukkoa ei saa suunnata henkilöihin, suojaamattomaan ihoon, silmiin tai lemmikkeihin tai eläimiin. Vaarana on vakava henkilövahinko. **Varoitus!** Sinkoavat esineet voivat aiheuttaa vakavia henkilövahinkoja. ÄLÄ yritä vaihtaa suulakkeita painepesurin ollessa käynnissä. Kytke painepesuri pois päältä ennen suulakkeiden vaihtamista.

- ◆ Liitä suulake (10) suihkutusvarteen (9) vetämällä pikaliittimen holkkia suihkutusvartta kohti ja kiinnittämällä suulakkeen.
- ◆ Vapauta pikaliittimen holkki suulakkeen lukitsemiseksi paikoilleen.
- ◆ Varmista, että suulake on lukittunut paikoilleen vetämällä suulakkeesta, kun pikaliittimen holkki on lukittunut paikoilleen.



## Suihkutusvarren käyttäminen (kuva F)

Säädettävä 5in1-suulake (10) toimitetaan tämän painepesurin mukana.

- ◆ Voit säätää säädettävän suulakkeen (10) painetta kääntämällä kärkeä myötä- tai vastapäivään haluamasi virtauksen saavuttamiseksi.
- ◆ Kapea suihku sopii grillien, ajoväylien, jalkakäytävien ja tiilimuurausien puhdistamiseen.
- ◆ Leveä suihku sopii kansion/tasojen, vinyylin, maalipintojen, autojen/matkailuautojen ja laastipintojen puhdistamiseen.

**Huomautus:** Painepesurin suuripaineinen suihku voi vahingoittaa pintoja (esim. puupinnat, lasipinnat, ajoneuvojen maalipinnat, autojen koristeet ja listat sekä arkalaatuiset kohteet kuten kasvit ja pensaat). Tarkista puhdistettava kohde ennen suihkuttamista varmistaaksesi, että se kestää suihkutuspaineen.

## Käsien oikeaoppinen asento (kuva H)

**Varoitus!** Voit vähentää vakavan henkilövahingon vaaraa pitämällä kädet AINA oikeassa asennossa.

**Varoitus!** Voit vähentää vakavan henkilövahingon vaaraa pitämällä työkalua AINA tiukassa otteessa.

Käsien oikea asento tarkoittaa yhden käden pitämistä pääkavassa (1) ja toisen käden pitämistä painepesurin rungossa (2) kuvan mukaisesti.

## Painepesurilla puhdistaminen

### Puhdistuspinnan valmisteleminen

- ◆ Poista mahdollisia vaaroja aiheuttavat kohteet alueelta.
- ◆ Varmista, että kaikki ovet ja ikkunat on suljettu kokonaan. Suojaa kaikki lähetyillä olevat kasvit ja puut suojakan-kaalla, jottei suihku voi vahingoittaa niitä.
- ◆ Esihuuhtelee puhdistusalue puhtaalla vedellä.
- ◆ Käytä ainoastaan painepesureihin tarkoitettuja pesuainetta.
- ◆ Testaa pesuainetta aina näkymättömällä pinnalla ennen käyttöä.

### Painepesurin valmisteleminen käyttöä varten

**Varoitus!** Nesteen ruiskumisen ja leikkautumisvaara. Suuripaineista asetusta käyttäessä suuripaineista suihku EI SAA kohdistaa suojaamattomaan ihoon, silmiin tai lemmitkeihin tai eläimiin. Vaarana on vakava henkilövahinko.

**Varoitus!** Ennen käyttöä:

- ◆ Liitä vedensyöttö painepesuriin. Katso ohjeet vedensyötön liittämiseksi painepesuriin Asennus ja säädöt -luvun kohdasta Puutarha- tai imuletkun liittäminen.
- ◆ Liitä paineistettu suihkutusvarsi, pesuainepullo tai muu liitososa.

Katso ohjeet paineistetun suihkutusvarren liittämiseksi Asennus ja säädöt -luvun kohdasta Suihkutusvarren, pesuainepullon tai muun liitososan liittäminen.

## Painepesurin valmisteleminen

**Tärkeää:** Avaa liipaisimen lukitus (4), paina liipaisimesta (7) ja pidä liipaisinta alhaalla 30 sekuntia ilman poistamiseksi järjestelmästä. Jos vedensyötössä on edelleen ilmaa, jatka veden syöttämistä suihkutuskahtaan läpi.

- ◆ Avaa liipaisimen lukitus (4).
- ◆ Paina liipaisimesta (7).

## Pinnan puhdistaminen

**Varoitus!** Suihkun aiheuttama henkilövahinkovaara. Kytke liipaisimen lukitus aina päälle, kun pistoolia ei käytetä. Muutoin vettä voi suihkuta tahattomasti.

- ◆ Käynnistä painepesuri avaamalla liipaisimen lukitus (4) ja painamalla liipaisimesta (7).

**Huomautus:** Paras kulma veden suihkuttamiseen on 45° puhdistettavaan pintaan nähden. Jos vettä suihkutetaan pintaan suoraan, liahiukkaset kiinnittyvät helposti pintaan. Kun puhdistat pystysuoria pintoja, aloita pesuaineen suihkutus alhaalta ja etene ylöspäin, jolloin pesuaine ei voi valua alas-päin ja aiheuttaa juovia.

- ◆ Painepesuri sammutetaan vapauttamalla liipaisin.

**Huomautus:** Jos suulake tai messinkinen liitäntä on tukossa, pumpun paine voi kasvaa liikaa.

Sammuta painepesuri ja poista akku aina ennen tukoksen poistamista suulakkeesta tai messinkisestä liitännästä.

**Varoitus!** Älä koskaan ime kemikaaleja sisältävää vettä. Ime vettä ainoastaan puhdasvesiliähteestä.

## Sammuttaminen

- ◆ Painepesuri sammutetaan vapauttamalla liipaisin ja poistamalla akku.
- ◆ Katkaise vedensyöttö sulkemalla hana.
- ◆ Poista jäännöspaine painamalla liipaisimesta (7), kunnes suihkutusvarresta (9) ei tule enää vettä.
- ◆ Irrota puutarhaletku vedenottoaukosta (3) ja tyhjennä letku.
- ◆ Irrota puutarhaletku painepesurista vetämällä pikaliittimellä varustetussa letkusovittimessa oleva holkki taakse ja poistamalla se pikaliittimellä varustetusta suodattimesta.

## Huolto

**Varoitus!** Vakavan henkilövahingon vaaran vähentämiseksi katkaise laitteesta virta ja poista akku ennen säätämistä tai varusteiden irrottamista tai asentamista. Tahaton käynnistymisen aiheuttaa vahingon.

## Puhdistaminen

**Varoitus!** Puhalla liat ja pöly pois kaikista ilmanottoaukoista vähintään kerran viikossa puhtaalla ja kuivalla ilmalla.

Silmävammojen minimoimiseksi tämän toimenpiteen aikana tulee aina käyttää suojalaseja.

**Varoitus!** Älä koskaan puhdista muita kuin metallipintoja liuottimien tai muiden voimakkaiden kemikaalien avulla. Nämä kemikaalit voivat heikentää näissä osissa käytettyjä muovimateriaaleja. Käytä vain vedellä ja miedolla pesuaineella kostutettua kangasta. Älä päästä mitään nestettä laitteen sisään. Älä upota mitään laitteen osaa nesteeseen.

## Suutin

Jos suulakkeeseen muodostuu vieraiden materiaalien (esim. epäpuhtaudet) aiheuttamia tukoksia, paine voi nousta liikaa. Jos suulake on osittain tukossa, pumpun paine toimii sykämysin. Puhdista suulake välittömästi.

- ◆ Sammuta painepesuri (2) ja katkaise vedensyöttö.
- ◆ Vedä pääkahvan (1) liipaisimesta (7) mahdollisen vedenpaineen poistamiseksi.
- ◆ Irrota suulake suihkutusvarresta (9) vetämällä pikaliittimen holkkia (10) suihkutusvarrta kohti.
- ◆ Poista mahdolliset jäämät suulakkeesta.
- ◆ Anna veden virrata hanasta tai puutarhaletkusta suulakkeen kautta.

## Pesuainepullo

- ◆ Puhdista pesuainepullo sammuttamalla painepesuri ja katkaisemalla vedensyöttö.
- ◆ Vedä pistoolin kahvan liipaisimesta mahdollisen vedenpaineen poistamiseksi.
- ◆ Irrota pesuainepullo (11) painepesurista ja irrota pesuainepullon suulake.
- ◆ Puhdista pesuainepullo (11) tyhjentämällä jäljellä oleva pesuaine vastaavaan säiliöön. Huuhtelee pullo suihkuttamalla vettä puutarhaletkulla. Tyhjennä pullo ja anna sen kuivua.
- ◆ Asenna pesuainepullon suulake takaisin pulloon.

## Imuletku

- ◆ Puhdista imuletku (12) sammuttamalla painepesuri.
- ◆ Vedä liipaisimesta mahdollisen vedenpaineen poistamiseksi.
- ◆ Irrota imuletku (12) painepesurista.
- ◆ Puhdista imuletku suihkuttamalla vettä puutarhaletkulla ja huuhtelemalla imuletku huolellisesti, anna sen lopuksi kuivua.

## Imuletkun suodatin (kuva J)

- ◆ Käännä imuletkun (12) päässä olevaa suodatinta (20) vastapäivään ja irrota. Irrota sihti suodattimen sisältä. Huuhtelee kaikki osat puhtaalla vedellä ja asenna ne takaisin paikoilleen.

## Pikaliittimellä varustettu suodatin (kuva K)

- ◆ Vedä pikaliittimellä varustetussa letkusovittimessa oleva holkki taakse ja poista puutarha- tai imuletku pikaliittimellä varustetusta suodattimesta (8).
- ◆ Irrota pikaliittimellä varustettu suodatin painepesurista.
- ◆ Pikaliittimellä varustetun suodattimen (8) sisällä on sihti (22). Poista sihti ja huuhtelee se puhtaalla vedellä. Asenna takaisin paikoilleen.

## Säilytys

- ◆ Tyhjennä vesi aina kokonaan imuletkusta, painepesurista, suihkutusvarresta, suulakkeista ja pesuainepullosta.
- ◆ Säilytä kuivassa ja suojatussa paikassa nolla-astetta korkeammassa lämpötilassa. SÄILYTETTÄVÄ SISÄTI-LASSA.

## Lisävarusteet

**Varoitus!** Muita kuin STANLEY FATMAX-lisävarusteita ei ole testattu tämän työkalun kanssa, joten niiden käyttäminen voi olla vaarallista. Käytä tämän laitteen kanssa vain STANLEY FATMAXin suosittelemia varusteita vahingoittumisvaaran vähentämiseksi.

Työkalusi kanssa käytettäväksi suositeltuja lisävarusteita on saatavissa paikalliselta jälleenmyyjältä tai valtuutetuista huolloista. Lisätietoa lisävarusteista on saatavilla osoitteesta [www.blackanddecker.co.uk](http://www.blackanddecker.co.uk).

**STZHK2** mukaisesti: SFM Syöttöletku, letkusovittinsarja

**STZBSBK3** mukaisesti: SFM Puhdistuspaketti (harja, kumilasta, pesuainepullo)

**STZSW1** mukaisesti: SFM Lyhyt varsi

**STZ5N1** mukaisesti: SFM 5in1-suulake

**STZB1** mukaisesti: SFM Vesiastia

**STZQDW1** mukaisesti: SFM Varsi pikaliittimellä

## Ympäristönsuojelu



Toimita tämä laite erilliskeräykseen. Tällä symbolilla merkityjä tuotteita ja akkuja ei saa hävittää tavallisen kotitalousjätteen mukana.

Tuotteissa ja akuissa on materiaaleja, jotka voidaan ottaa talteen tai kierrättää uudelleen käyttöä varten. Kierrätä sähkölaitteet ja akut paikallisten määräyksien mukaan.

## Tekniset tiedot

		SFMCPC93
Paine	(BAR)	24
Vedenvirtaus	(lh)	120
Akku	Tasavirta	18 V
Syöttöletku		6 m
Veden syöttöpaine	(BAR)	1,4-6,9

		SFMCPC93
Vedensyöttö		Kylmä hana 0
Pesuaineen kulutusnopeus		10 % MAKS.

Laturi		SFMCB12
Tulojännite	V <sub>ac</sub>	230
Ulostulojännite	V <sub>ac</sub>	18
virta	A	2

Akku		SFMCB202	SFMCB204	SFMCB206
Jännite	V <sub>ac</sub>	18	18	18
Kapasiteetti	Ah	2.0	4.0	6.0
Tyyppi		Li-Ion	Li-Ion	Li-Ion

Äänenpainetaso L<sub>PA</sub>: 75,0 dB(A)

Epävarmuus (K) = 3 dB(A)

Mitattu äänitehotaso L<sub>WA</sub>: 86,0 dB(A)

Epävarmuus (K) = 1,6 dB(A)

Allekirjoittanut vastaa teknisten tietojen kokoamisesta tehden tämän ilmoituksen STANLEY FATMAXin puolesta.

*Patrick Diepenbach*

Patrick Diepenbach  
Pääjohtaja, Benelux  
Black and Decker,  
Egide Walschaertsstraat 14-18  
2800 Mechelen, Belgium  
30.11.2020

## Takuu

STANLEY FATMAX on vakuuttunut tuotteidensa korkeasta laadusta ja tarjoaa kuluttajille 12 kuukauden takuun, joka astuu voimaan ostopäivänä. Takuu on lisäys kuluttajan laillisiin oikeuksiin eikä vaikuta niihin. Tämä takuu on voimassa kaikissa EU- ja ETA-maissa.

Edellytyksenä takuun saamiselle on, että vaade täyttää STANLEY FATMAXin ehdot ja että ostaja toimittaa ostosoitteen jälleenmyyjälle tai valtuutetulle huoltoliikkeelle. STANLEY FATMAXin yhden vuoden takuun ehdot ja lähimmän valtuutetun korjauspalvelun yhteystiedot ovat saatavilla osoitteessa [www.2helpU.com](http://www.2helpU.com) tai ottamalla yhteyttä paikalliseen STANLEY FATMAXin toimipisteeseen tässä ohjekirjassa ilmoitettuun osoitteisiin.

Käy verkkosivuillemme osoitteessa [www.stanley.eu/3](http://www.stanley.eu/3) ja rekisteröi uusi STANLEY FATMAX -tuotteesi saadaksesi tietoa uusista tuotteista ja erikoistarjouksista.

## Προβλεπόμενη χρήση

Το πλυστικό πίεσης STANLEY FATMAX SFMCPC93 έχει σχεδιαστεί για καθαρισμό σκαφών, αυτοκινήτων, βεραντών, ιδιωτικών οδών, σχαρών, εξωτερικών επενδύσεων τοίχων, μοτοσυκλετών, αυλών και επίπλων εξωτερικού χώρου. Αυτές οι συσκευές προορίζονται μόνο για καταναλωτική χρήση.

## Οδηγίες ασφαλείας

### Προειδοποίηση! Κατά τη χρήση

συσκευών που τροφοδοτούνται με ηλεκτρικό ρεύμα/μπαταρία, θα πρέπει να τηρούνται πάντα οι βασικές προφυλάξεις ασφαλείας, συμπεριλαμβανομένων των παρακάτω, για τον περιορισμό του κινδύνου πυρκαγιάς, ηλεκτροπληξίας, σωματικών βλαβών και υλικών ζημιών.



Ποτέ μην κατευθύνετε τον πίδακα νερού σε ανθρώπους, ζώα, το ίδιο το μηχάνημα ή ηλεκτρικά εξαρτήματα.

**Προειδοποίηση!** Οι πίδακες υψηλής πίεσης μπορεί να είναι επικίνδυνοι σε περίπτωση κακής χρήσης τους.



Σύμφωνα με τους εφαρμοσίμους κανονισμούς, η συσκευή δεν πρέπει ποτέ να χρησιμοποιηθεί σε δίκτυο πόσιμο νερού χωρίς έναν διαχωριστή συστήματος. Χρησιμοποιήστε έναν διαχωριστή σύμφωνα με το IEC 61770 τύπο BA.

Το νερό που περνάει μέσα από έναν διαχωριστή συστήματος θεωρείται μη πόσιμο.

- ♦ Διαβάστε προσεκτικά όλο το περιεχόμενο αυτού του εγχειριδίου πριν χρησιμοποιήσετε τη συσκευή.
- ♦ Η προβλεπόμενη χρήση περιγράφεται σε αυτό το εγχειρίδιο. Τόσο η χρήση αξεσουάρ ή προσαρτημάτων, όσο και η πραγματοποίηση με αυτή τη συσκευή οποιασδήποτε εργασίας, πέραν αυτών που συνιστώνται στο παρόν εγχειρίδιο οδηγιών, μπορεί να εγκυμονεί κίνδυνο σωματικών βλαβών.
- ♦ Φυλάξτε αυτό το εγχειρίδιο για μελλοντική αναφορά.

## Χρήση της συσκευής

Προσέχετε πάντα όταν χρησιμοποιείτε τη συσκευή.

- ♦ Το υγρό ή ο ατμός δεν πρέπει να κατευθύνεται προς εξοπλισμό που περιέχει ηλεκτρικά μέρη, όπως το εσωτερικό φούρνων.
  - ♦ Μη χρησιμοποιείτε τη συσκευή αν σας έχει πέσει ή αν υπάρχουν ορατές ενδείξεις ζημιάς ή διαρροή.
  - ♦ Φοράτε πάντα προστατευτικά γυαλιά ασφαλείας.
  - ♦ Σε καμία περίπτωση μην επιτρέψετε σε παιδιά, σε άτομα με μειωμένες σωματικές, αντιληπτικές ή διανοητικές ικανότητες ή με έλλειψη εμπειρίας και γνώσης ή σε άτομα μη εξοικειωμένα με τις παρούσες οδηγίες, να χρησιμοποιήσουν το μηχάνημα - τοπικοί κανονισμοί μπορεί να θέτουν όρια στην ηλικία του χειριστή.
- Μη χρησιμοποιείτε ποτέ το μηχάνημα όταν υπάρχουν κοντά άνθρωποι και ιδιαίτερα παιδιά, ή κατοικίδια ζώα.
  - ♦ Μην αφήνετε παιδιά ή ζώα να πλησιάσουν στο χώρο εργασίας ή να αγγίξουν τη συσκευή ή το καλώδιο τροφοδοσίας.
  - ♦ Απαιτείται στενή επίβλεψη κατά τη χρήση της συσκευής πλησίον παιδιών.
  - ♦ Η συσκευή αυτή δεν προορίζεται για χρήση από νεαρά ή αδύναμα άτομα χωρίς επίβλεψη.
  - ♦ Η συσκευή αυτή δεν πρέπει να χρησιμοποιείται ως παιχνίδι.
  - ♦ Χρησιμοποιείτε τη συσκευή μόνο με φως ημέρας ή με επαρκή τεχνητό φωτισμό.
  - ♦ Να χρησιμοποιείται μόνο σε στεγνή τοποθεσία. Μην αφήσετε να βραχεί η συσκευή.
  - ♦ Αποφεύγετε να χρησιμοποιείτε τη συσκευή σε κακές καιρικές συνθήκες, ειδικά όταν υπάρχει κίνδυνος ηλεκτρικών φαινομένων.
  - ♦ Μη βυθίσετε τη συσκευή σε νερό.
  - ♦ Μην ανοίξετε το περίβλημα του σώματος της συσκευής. Δεν υπάρχουν εξαρτήματα στο εσωτερικό που να επιδέχονται επισκευή από το χρήστη.
  - ♦ Μην χρησιμοποιείτε τη συσκευή σε περιβάλλον όπου υπάρχει κίνδυνος έκρηξης, π.χ. με παρουσία εύφλεκτων υγρών, αερίων ή σκόνης.

- ♦ Η συσκευή πρέπει να χρησιμοποιείται μόνο με τη μονάδα τροφοδοσίας ρεύματος που παρέχεται με τη συσκευή.

### Υπολειπόμενοι κίνδυνοι.

Κατά τη χρήση του εργαλείου μπορεί να δημιουργηθούν πρόσθετοι υπολειπόμενοι κίνδυνοι, οι οποίοι ενδέχεται να μη συμπεριλαμβάνονται στις προειδοποιήσεις ασφαλείας που εσωκλείονται.

Αυτοί οι κίνδυνοι μπορεί να προκληθούν από κακή χρήση, παρατεταμένη χρήση κλπ.

Παρά την εφαρμογή των σχετικών κανονισμών ασφαλείας και τη χρήση διατάξεων ασφαλείας, ορισμένοι υπολειπόμενοι κίνδυνοι δεν είναι δυνατό να αποφευχθούν.

Σε αυτούς περιλαμβάνονται:

- ♦ Τραυματισμοί που προκαλούνται από επαφή με οποιαδήποτε περιστρεφόμενα/κινούμενα μέρη.
- ♦ Τραυματισμοί από αλλαγή οποιωνδήποτε εξαρτημάτων, λεπίδων ή αξεσουάρ.
- ♦ Σωματικές βλάβες από παρατεταμένη χρήση εργαλείου. Όταν χρησιμοποιείτε οποιοδήποτε εργαλείο για παρατεταμένα χρονικά διαστήματα, μην παραλείπετε με κανένα τρόπο να κάνετε τακτικά διαλείμματα.
- ♦ Βλάβη της ακοής.

- ♦ Κίνδυνοι για την υγεία λόγω εισπνοής σκόνης που αναπτύσσεται κατά τη χρήση του εργαλείου (παραδείγματα:- εργασία με ξύλο, ειδικά βελανιδιά, οξιά και MDF).

### Μετά τη χρήση

- ♦ Όταν δεν χρησιμοποιείται, η συσκευή πρέπει να φυλάσσεται σε στεγνό, καλά αεριζόμενο χώρο, μακριά από παιδιά.
- ♦ Τα παιδιά δεν πρέπει να έχουν πρόσβαση σε αποθηκευμένες συσκευές.
- ♦ Όταν η συσκευή φυλάσσεται ή μεταφέρεται με ένα όχημα, πρέπει να τοποθετείται στο χώρο αποσκευών ή να στερεώνεται ώστε να μη μετακινείται σε περίπτωση απότομων μεταβολών της ταχύτητας ή της κατεύθυνσης του οχήματος.

### Έλεγχος και επισκευές

- ♦ Πριν από τη χρήση, ελέγξτε τη συσκευή σας για τυχόν εξαρτήματα που παρουσιάζουν ζημιά ή βλάβη. Ελέγξτε αν υπάρχουν σπασμένα εξαρτήματα και οποιαδήποτε άλλα προβλήματα που θα μπορούσαν να επηρεάσουν τη λειτουργία της.
- ♦ Μη χρησιμοποιήσετε τη συσκευή αν οποιοδήποτε εξάρτημά της έχει υποστεί ζημιά ή βλάβη.
- ♦ Δώστε τα τυχόν χαλασμένα ή ελαττωματικά εξαρτήματα για αντικατάσταση ή επιδιόρθωση σε ένα εξουσιοδοτημένο κέντρο επισκευών.

- ♦ Ποτέ μην επιχειρήσετε να αφαιρέσετε ή να αντικαταστήσετε οποιοδήποτε εξάρτημα, εκτός από αυτά που καθορίζονται στο παρόν εγχειρίδιο.

## Πρόσθετες οδηγίες ασφαλείας για πλυστικά πίεσης

Η προβλεπόμενη χρήση

περιγράφεται σε αυτό το εγχειρίδιο.

Η χρήση οποιουδήποτε αξεσουάρ ή προσαρτήματος ή η εκτέλεση με αυτή τη συσκευή οποιασδήποτε άλλης εργασίας πέρα από αυτές που συνιστώνται στο παρόν εγχειρίδιο οδηγιών ενδέχεται να εγκυμονεί κίνδυνο τραυματισμού ή/και υλικών ζημιών.

- ♦ Για την προστασία των ποδιών σας κατά τη χρήση της συσκευής, να φοράτε πάντα υποδήματα βαρέως τύπου και μακρύ παντελόνι.
- ♦ Πάντα να απενεργοποιείτε τη συσκευή, να αφήνετε τον ανεμιστήρα να σταματήσει και να αφαιρείτε την μπαταρία όταν:
- ♦ Αφήνετε το προϊόν σας χωρίς επιτήρηση.
  - ♦ Καθαρίζετε σε περίπτωση απόφραξης.
  - ♦ Ελέγχετε, ρυθμίζετε, καθαρίζετε ή εργάζεστε πάνω στη συσκευή σας.
  - ♦ Η συσκευή αρχίζει να δονείται με μη φυσιολογικό τρόπο.
- ♦ Μην τοποθετείτε την είσοδο ή έξοδο του πλυστικού πίεσης κοντά στα μάτια ή τα αυτιά κάποιου ατόμου κατά τη λειτουργία της συσκευής. Ποτέ μην στοχεύετε παρευρισκόμενα άτομα.

- ♦ Μη χρησιμοποιείτε τη συσκευή στη βροχή και μην την αφήνετε σε εξωτερικό χώρο ενώ βρέχει.
- ♦ Μη διασχίζετε μονοπάτια ή δρόμους με χαλίκι με τη συσκευή σας ενεργοποιημένη. Βαδίζετε αργά και σε καμία περίπτωση, μην τρέχετε.
- ♦ Μην τοποθετείτε τη συσκευή σας σε έδαφος με χαλίκι όταν είναι ενεργοποιημένη.
- ♦ Προσέχετε πάντα πώς βαδίζετε, ιδιαίτερα σε εδάφη με κλίση. Μην τεντώνεστε για να εργαστείτε σε σημεία που δεν φτάνετε καλά και να διατηρείτε συνεχώς την ισορροπία σας.
- ♦ Μην τοποθετείτε αντικείμενα μέσα στα ανοίγματα της συσκευής. Σε καμία περίπτωση μη χρησιμοποιήσετε τη συσκευή εάν τα ανοίγματά της είναι φραγμένα - φροντίστε τα ανοίγματα να παραμένουν καθαρά από τρίχες, χνούδια, σκόνη ή οτιδήποτε άλλο μπορεί να μειώσει τη ροή του αέρα.

**Προειδοποίηση!** Πάντα να χρησιμοποιείτε τη συσκευή σας με τον τρόπο που υποδεικνύεται στο παρόν εγχειρίδιο.

Η συσκευή σας είναι σχεδιασμένη για χρήση σε όρθια θέση και εάν χρησιμοποιηθεί με οποιονδήποτε άλλο τρόπο, μπορεί να προκαλέσει τραυματισμό. Μη χρησιμοποιείτε τη συσκευή σας στηριγμένη σε μια από τις πλευρές της ή τοποθετημένη ανάποδα.

- ♦ Ο χειριστής ή χρήστης είναι πάντα υπεύθυνος για ατυχήματα ή κινδύνους που προκαλούνται σε τρίτους ή την ιδιοκτησία τους.
- ♦ Μη χρησιμοποιείτε διαλύτες ή καθαριστικά υγρά για τον καθαρισμό του προϊόντος σας. Χρησιμοποιείτε μια μη αιχμηρή ξύστρα για να αφαιρέσετε το γρασιδί και το χώμα.
- ♦ Ελέγχετε τακτικά τη σακούλα περισυλλογής για τυχόν φθορές.
- ♦ Ανταλλακτικοί ανεμιστήρες είναι διαθέσιμοι από οποιοδήποτε εξουσιοδοτημένο κέντρο επισκευών της STANLEY FATMAX. Χρησιμοποιείτε ανταλλακτικά και αξεσουάρ που συνιστά η STANLEY FATMAX.
- ♦ Διατηρείτε καλά σφιγμένα όλα τα παξιμάδια, τα μπουλόνια και τις βίδες στη συσκευή προκειμένου να εξασφαλίζεται η ασφαλής κατάσταση λειτουργίας.

## Ασφάλεια τρίτων

- ♦ Αυτή η συσκευή δεν προορίζεται για χρήση από άτομα (περιλαμβανομένων παιδιών) με μειωμένες σωματικές, αισθητηριακές ή πνευματικές ικανότητες, ή με έλλειψη εμπειρίας και γνώσης, εκτός αν σε αυτά έχει παρασχεθεί από άτομο υπεύθυνο για την ασφάλειά τους επίβλεψη ή εκπαίδευση σχετικά με τη χρήση της συσκευής.
- ♦ Τα παιδιά πρέπει να επιτηρούνται, ώστε να διασφαλίζεται ότι δεν παίζουν με τη συσκευή.

## Πρόσθετες οδηγίες ασφαλείας για μπαταρίες και φορτιστές

### Μπαταρίες

- ♦ Ποτέ μην επιχειρήσετε να ανοίξετε το προϊόν για κανένα λόγο.
- ♦ Μην εκθέτετε την μπαταρία σε νερό.
- ♦ Μην αποθηκεύετε σε τοποθεσίες όπου η θερμοκρασία ενδέχεται να υπερβαίνει τους 40 °C.
- ♦ Να φορτίζετε μόνο σε θερμοκρασίες περιβάλλοντος μεταξύ 10 °C και 40 °C.
- ♦ Φορτίζετε μόνο με τη χρήση του φορτιστή που παρέχεται με το εργαλείο.
- ♦ Κατά την απόρριψη των μπαταριών, να ακολουθείτε τις οδηγίες που παρέχονται στην ενότητα "Προστασία του περιβάλλοντος".

### Φορτιστές

- ♦ Ο φορτιστής STANLEY FATMAX πρέπει να χρησιμοποιείται αποκλειστικά και μόνο για τη φόρτιση της μπαταρίας του εργαλείου το οποίο συνοδεύει. Άλλες μπαταρίες ενδέχεται να εκραγούν, προκαλώντας τραυματισμό από μωμν και ζημιές.
- ♦ Μην επιχειρήσετε ποτέ να φορτίσετε μη επαναφορτιζόμενες μπαταρίες.
- ♦ Να φροντίζετε να αντικαθίστανται άμεσα τα καλώδια που έχουν υποστεί ζημιά.
- ♦ Μην εκθέτετε το φορτιστή σε νερό.
- ♦ Μην ανοίγετε το φορτιστή.
- ♦ Μην εισάγετε οποιαδήποτε αντικείμενα μέσα στο φορτιστή.



Ο φορτιστής προορίζεται για χρήση μόνο σε εσωτερικούς χώρους.



Διαβάστε το εγχειρίδιο οδηγιών πριν τη χρήση.

## Ασφαλής χρήση ηλεκτρικού ρεύματος



Ο φορτιστής σας φέρει διπλή μόνωση. Επομένως, δεν απαιτείται αγωγός γείωσης. Ελέγχετε πάντα ότι η τάση ρεύματος δικτύου συμφωνεί με αυτήν που αναγράφεται στην πινακίδα τεχνικών χαρακτηριστικών. Ποτέ μην επιχειρήσετε να αντικαταστήσετε τη μονάδα φορτιστή με κανονικό φως ρεύματος δικτύου.

- ♦ Αν το καλώδιο ρεύματος έχει υποστεί ζημιά, πρέπει να αντικατασταθεί από τον κατασκευαστή ή ένα εξουσιοδοτημένο κέντρο σέρβις STANLEY FATMAX, για την αποφυγή κινδύνου.

### Ετικέτες πάνω στη συσκευή

Η συσκευή φέρει τα παρακάτω προειδοποιητικά σύμβολα μαζί με τον κωδικό ημερομηνίας:



Διαβάστε το εγχειρίδιο οδηγιών πριν από τη λειτουργία.



Φοράτε γυαλιά ασφαλείας ή ειδικά προστατευτικά γυαλιά όταν χρησιμοποιείτε αυτή τη συσκευή.



Φοράτε κατάλληλα προστατευτικά ακοής κατά τη χρήση αυτής της συσκευής.



Πάντα να αφαιρείτε την μπαταρία από τη συσκευή πριν από οποιαδήποτε εργασία καθαρισμού ή συντήρησης.



Μην εκθέτετε τη συσκευή σε βροχή ή υψηλά επίπεδα υγρασίας.



Εγγυημένη ηχητική ισχύς σύμφωνα με την Οδηγία 2000/14/ΕΚ.

## Χαρακτηριστικά

Η συσκευή αυτή διαθέτει μερικά ή όλα από τα παρακάτω χαρακτηριστικά.

1. Κύρια λαβή
2. Μονάδα πλυστικού πίεσης
3. Εισαγωγή νερού
4. Ασφάλεια σκανδάλης
5. Κουμπί απασφάλισης πακέτου μπαταριών
6. Πακέτο μπαταριών
7. Σκανδάλη ενεργοποίησης/ απενεργοποίησης (on/off)
8. Φίλτρο ταχείας σύνδεσης (περιλαμβάνεται)
9. Ράβδος ταχείας σύνδεσης του πλυστικού πίεσης (περιλαμβάνεται STZQDW1)
10. Ακροστόμιο 5 σε 1 (περιλαμβάνεται STZ5N1)
11. Φιάλη σαπουνιού (αξεσουάρ STZSBSK3: Κιτ καθαρισμού)
12. Εύκαμπτος σωλήνας αναρρόφησης (περιλαμβάνεται STZIHK2)
13. Ταχυσύνδεσμος εύκαμπτου σωλήνα (περιλαμβάνεται STZIHK2)
14. Σφαιρικός πλωτήρας (περιλαμβάνεται STZIHK2)
15. Προσαρμογέας λάστιχου κήπου (περιλαμβάνεται)
16. Κοντή ράβδος (αξεσουάρ STZSW1)
17. Βούρτσα (αξεσουάρ STZSBSK3: Κιτ καθαρισμού)
18. Μάκτρο (αξεσουάρ STZSBSK3: Κιτ καθαρισμού)
19. Κουβάς (αξεσουάρ STZB1)

## Φόρτιση μιας μπαταρίας

Οι φορτιστές STANLEY FATMAX έχουν σχεδιαστεί να φορτίζουν πακέτα μπαταριών STANLEY FATMAX.

- ♦ Συνδέστε τον φορτιστή σε μια κατάλληλη πρίζα.
- ♦ Εισάγετε το πακέτο μπαταριών μέχρι να εδράσει πλήρως. Η πράσινη λυχνία φόρτισης θα αναβοσβήνει συνεχώς κατά τη φόρτιση.
- ♦ Η φόρτιση έχει ολοκληρωθεί όταν η πράσινη λυχνία φόρτισης παραμένει σταθερά αναμμένη. Μπορείτε να αφήσετε το πακέτο μπαταριών στον φορτιστή ή να το αφαιρέσετε.
- ♦ Επαναφορτίξτε τις αποφορτισμένες μπαταρίες το συντομότερο δυνατόν μετά τη χρήση τους, διαφορετικά μπορεί να μειωθεί πολύ η διάρκεια ζωής τους. Για τη μέγιστη διάρκεια ζωής των μπαταριών, μην τις αποφορτίξετε πλήρως. Συνιστάται να επαναφορτίξετε τις μπαταρίες μετά από κάθε χρήση.



## Διαγνωστικά φορτιστή

Αυτός ο φορτιστής έχει σχεδιαστεί ώστε να ανιχνεύει ορισμένα προβλήματα που μπορούν να προκύψουν με πακέτα μπαταρίας ή με την πηγή ρεύματος. Τα προβλήματα υποδεικνύονται από μια λυχνία LED που αναβοσβήνει με διαφορετικά μοτίβα αναλαμπών.

## Προβληματική μπαταρία

Ο φορτιστής μπορεί να ανιχνεύσει ότι μια μπαταρία είναι εξασθενημένη ή έχει υποστεί ζημιά. Η λυχνία LED αναβοσβήνει με το μοτίβο αναλαμπών που υποδεικνύεται στην ετικέτα. Αν δείτε αυτό το μοτίβο αναλαμπών που αντιστοιχεί σε προβληματική μπαταρία, μη συνεχίσετε τη φόρτιση της μπαταρίας. Επιστρέψτε την σε κέντρο σέρβις ή σε θέση συλλογής για ανακύκλωση.

## Καθυστέρηση λόγω θερμού/ψυχρού πακέτου μπαταρίας

Αν ο φορτιστής ανιχνεύσει μπαταρία με υπερβολικά υψηλή ή χαμηλή θερμοκρασία, ξεκινά αυτόματα μια Καθυστέρηση λόγω θερμού/ψυχρού πακέτου μπαταρίας, αναστέλλοντας τη φόρτιση έως ότου η μπαταρία έχει φθάσει σε κατάλληλη θερμοκρασία. Αφού συμβεί αυτό, ο φορτιστής μεταβαίνει αυτόματα σε λειτουργία φόρτισης του πακέτου. Αυτή η λειτουργία διασφαλίζει τη μέγιστη διάρκεια ζωής της μπαταρίας. Η λυχνία αναβοσβήνει με το μοτίβο αναλαμπών που υποδεικνύεται στην ετικέτα.

## Παραμονή της μπαταρίας στο φορτιστή

Ο φορτιστής και το πακέτο μπαταριών μπορούν να παραμείνουν συνδεδεμένα επ' αόριστον με τη λυχνία LED αναμμένη. Ο φορτιστής θα διατηρεί το πακέτο μπαταριών σε βέλτιστη κατάσταση και πλήρως φορτισμένο.

Αυτός ο φορτιστής διαθέτει μια αυτόματη λειτουργία συντήρησης η οποία εξισώνει ή εξισορροπεί τα μεμονωμένα στοιχεία στο πακέτο μπαταρίας για να επιτρέπει στο πακέτο μπαταρίας να λειτουργεί σε μέγιστη χωρητικότητα.

Τα πακέτα μπαταρίας πρέπει να υποβάλλονται στη διαδικασία συντήρησης κάθε εβδομάδα ή όταν η μπαταρία δεν παρέχει πλέον το ίδιο αποτέλεσμα όπως παλαιότερα.

Για να χρησιμοποιήσετε τη λειτουργία αυτόματης συντήρησης, τοποθετήστε το πακέτο μπαταρίας στο φορτιστή και αφήστε το εκεί για τουλάχιστον 8 ώρες.

## Σημαντικές επισημάνσεις για τη φόρτιση

- ◆ Μπορείτε να επιτύχετε την καλύτερη δυνατή διάρκεια ζωής και τη μέγιστη απόδοση εάν φορτίζετε το πακέτο μπαταρίας σε θερμοκρασία 18 °C - 24 °C. ΜΗ φορτίσετε το πακέτο μπαταρίας σε θερμοκρασίες αέρα που είναι μικρότερες από +4,5 °C ή μεγαλύτερες από +40 °C. Αυτό είναι σημαντικό και θα αποτρέψει τη σοβαρή βλάβη του πακέτου μπαταρίας.

- ◆ Ο φορτιστής και το πακέτο μπαταρίας μπορεί να θερμανθούν αισθητά κατά τη φόρτιση. Αυτό είναι κανονικό φαινόμενο και όχι ένδειξη προβλήματος. Για να διευκολύνετε την ψύξη του πακέτου μπαταρίας μετά τη χρήση, αποφεύγετε να τοποθετείτε το φορτιστή ή το πακέτο μπαταρίας σε θερμό περιβάλλον, όπως σε μεταλλικό παράπηγμα ή σε μη μονωμένο τρέιλερ.
- ◆ Αν το πακέτο μπαταρίας δεν φορτίζεται σωστά:
  - ◆ Ελέγξτε τη λειτουργία της πρίζας συνδέοντας ένα φωτιστικό ή άλλη συσκευή.
  - ◆ Ελέγξτε μήπως η πρίζα συνδέεται σε διακόπτη φώτων που διακόπτει το ρεύμα όταν σβήνετε τα φώτα.
  - ◆ Μετακινήστε το φορτιστή και το πακέτο μπαταρίας σε θέση όπου η θερμοκρασία αέρα περιβάλλοντος είναι περίπου 18 °C - 24 °C.
  - ◆ Αν τα προβλήματα φόρτισης επιμένουν, παραδώστε το εργαλείο, το πακέτο μπαταρίας και το φορτιστή στο τοπικό σας κέντρο σέρβις.
  - ◆ Το πακέτο μπαταρίας πρέπει να επαναφορτίζεται όταν δεν είναι σε θέση να παράγει επαρκή ισχύ σε εργασίες που γίνονται εύκολα πιο πριν. ΜΗ ΣΥΝΕΧΙΣΕΤΕ τη χρήση υπό αυτές τις συνθήκες. Ακολουθήστε τη διαδικασία φόρτισης. Μπορείτε επίσης να φορτίσετε όποτε επιθυμείτε ένα πακέτο μπαταρίας που δεν έχει εξαντληθεί πλήρως, χωρίς αυτό να έχει αρνητικές συνέπειες.
  - ◆ Πρέπει να κρατάτε μακριά από τις κοιλότητες του φορτιστή ξένα υλικά αγωγίμης φύσης, όπως είναι, αλλά χωρίς να περιορίζονται σε, σκόνη από εργασίες λείανσης, μεταλλικά ρινίσματα, σύρμα τριψίματος, αλουμινοχάρτο ή οποιαδήποτε συσσώρευση μεταλλικών σωματιδίων. Αποσυνδέετε το φορτιστή από την πρίζα πριν επιχειρήσετε να τον καθαρίσετε.
  - ◆ Μην αφήσετε το τροφοδοτικό να παγώσει και μην το βυθίσετε σε νερό ή οποιοδήποτε άλλο υγρό.

## Για να εγκαταστήσετε το πακέτο μπαταριών (Εικ. G)

**Σημείωση:** Για τα καλύτερα αποτελέσματα, να βεβαιώνετε ότι το πακέτο μπαταριών (6) είναι πλήρως φορτισμένο.

- ◆ Ανυψώστε και κρατήστε το κάλυμμα διαμερίσματος μπαταρίας (6b) για να αποκτήσετε πρόσβαση στο διαμέρισμα μπαταρίας(6c).
- ◆ Ευθυγραμμίστε το πακέτο μπαταριών με τις ράγες στο εσωτερικό του διαμερίσματος μπαταρίας (6c) και εισάγετέ το στο διαμέρισμα μπαταρίας έως ότου έχει εδράσει σταθερά μέσα στο εργαλείο και βεβαιωθείτε ότι δεν θα αποσυνδεθεί.
- ◆ Κλείστε το κάλυμμα διαμερίσματος μπαταρίας (6b). Βεβαιωθείτε ότι το κάλυμμα έχει ασφαλίσει πλήρως στη θέση του πριν θέσετε σε λειτουργία το εργαλείο.

## Για να αφαιρέσετε το πακέτο μπαταριών (Εικ. G)

- ◆ Ανυψώστε και κρατήστε το κάλυμμα διαμερίσματος μπαταρίας (6b) για να αποκτήσετε πρόσβαση στο πακέτο μπαταριών (6).
- ◆ Πατήστε το κουμπί απελευθέρωσης μπαταρίας (6a) πάνω στο πακέτο μπαταριών (6) και τραβήξτε το πακέτο μπαταριών έξω από το εργαλείο.
- ◆ Εισάγετε τη μπαταρία μέσα στον φορτιστή όπως περιγράφεται στο τμήμα περί φορτιστή του παρόντος εγχειριδίου.

## Συναρμολόγηση

**Προειδοποίηση!** Για να μειώσετε τον κίνδυνο σοβαρού τραυματισμού, απενεργοποιήστε τη μονάδα και αφαιρέστε το πακέτο μπαταρίας πριν κάνετε οποιοσδήποτε ρυθμίσεις ή πριν αφαιρέσετε/τοποθετήσετε προσαρτήματα ή παρελκόμενα. Τυχόν αθέλητη εκκίνηση μπορεί να προκαλέσει τραυματισμό.

## Σύνδεση του φίλτρου ταχείας σύνδεσης (Εικ. A)

Αυτό το πλυστικό πίεσης πρέπει να χρησιμοποιείται σε συνδυασμό με τους προσαρμογείς ταχείας σύνδεσης. Το λάστιχο κήπου ή ο εύκαμπτος σωλήνας αναρρόφησης μπορεί να συνδεθεί όταν έχει εγκατασταθεί το φίλτρο ταχείας σύνδεσης (8).

- ◆ Για να συνδέσετε το φίλτρο ταχείας σύνδεσης (8) στο πλυστικό πίεσης (2), τοποθετήστε το άκρο του φίλτρου ταχείας σύνδεσης στην εισαγωγή νερού (3). Σφίξτε το φίλτρο ταχείας σύνδεσης με το χέρι.

**Σημείωση:** Αποφύγετε το στραβό βίδωμα κατά την εγκατάσταση του εύκαμπτου σωλήνα. Το στραβό βίδωμα θα προκαλέσει διαρροές.

## Για να συνδέσετε τις ράβδους ψεκασμού, τη φιάλη σαπουνιού ή άλλο προσάρτημα (Εικ. B)

Η ράβδος ψεκασμού, η φιάλη σαπουνιού και άλλα προσάρτηματα (πωλούνται χωριστά) συνδέονται στο πλυστικό πίεσης. Για να συνδέσετε τις ράβδους ψεκασμού (9) (16) και τη φιάλη σαπουνιού (11) στο πλυστικό πίεσης (2):

- ◆ Εισάγετε το άκρο του προσαρτήματος στο άνοιγμα στο πλυστικό πίεσης (2). Πιέστε το προσάρτημα προς τα μέσα και περιστρέψτε το δεξιόστροφα έως ότου ασφαλίσει στη θέση λειτουργίας.
- ◆ Για να αφαιρέσετε το προσάρτημα, πιέστε το προς τα μέσα και περιστρέψτε το αριστερόστροφα και τραβήξτε το από πλυστικό πίεσης (2).

**Σημείωση:** Υπάρχουν διαθέσιμα και άλλα αξεσουάρ για χρήση με αυτό το πλυστικό πίεσης, ανατρέξτε στην ενότητα Αξεσουάρ.

## Για να συνδέσετε το λάστιχο κήπου ή τον εύκαμπτο σωλήνα αναρρόφησης (Εικ. C, D)

Η σύνδεση του λάστιχου κήπου ή του εύκαμπτου σωλήνα αναρρόφησης θα εξαρτάται από την εργασία που χρειάζεται να γίνει.

## Για να συνδέσετε λάστιχο κήπου (Εικ. C)

Αυτό το πλυστικό πίεσης πρέπει να χρησιμοποιείται σε συνδυασμό με τους προσαρμογείς ταχείας σύνδεσης.

- ◆ Για να συνδέσετε τον προσαρμογέα εύκαμπτου σωλήνα ταχείας σύνδεσης (13) σε ένα λάστιχο κήπου, βιδώστε τον προσαρμογέα εύκαμπτου σωλήνα ταχείας σύνδεσης στο άκρο του λάστιχου κήπου. Σφίξτε το λάστιχο κήπου με το χέρι.

**Σημείωση:** Αποφύγετε το στραβό βίδωμα κατά την εγκατάσταση του εύκαμπτου σωλήνα. Το στραβό βίδωμα θα προκαλέσει διαρροές.

**Σημείωση:** Πριν συνδέσετε το λάστιχο κήπου στο πλυστικό πίεσης, περάστε νερό από το λάστιχο κήπου για τριάντα δευτερόλεπτα για να καθαρίσετε τυχόν κατάλοιπα από το στόμιο του εύκαμπτου σωλήνα πίεσης κήπου.

- ◆ Για να συνδέσετε τον προσαρμογέα εύκαμπτου σωλήνα ταχείας σύνδεσης (16) στο φίλτρο ταχείας σύνδεσης (3) πάνω στο πλυστικό πίεσης (2), πιέστε τον προσαρμογέα εύκαμπτου σωλήνα ταχείας σύνδεσης σταθερά πάνω στο φίλτρο ταχείας σύνδεσης.

**Σημείωση:** Πριν τη χρήση, τραβήξτε προσεκτικά το λάστιχο κήπου για να βεβαιωθείτε ότι η σύνδεση είναι σταθερή. Βεβαιωθείτε ότι ο προσαρμογέας εύκαμπτου σωλήνα ταχείας σύνδεσης είναι σε επαφή με το φίλτρο ταχείας σύνδεσης όπως δείχνει η εικόνα D.

- ◆ Πάντα να αποσυνδέετε το λάστιχο κήπου μετά τη χρήση. Για να το αποσυνδέσετε, τραβήξτε προς τα πίσω το κολάρο στον προσαρμογέα εύκαμπτου σωλήνα ταχείας σύνδεσης και αφαιρέστε το από το φίλτρο ταχείας σύνδεσης.

## Για να συνδέσετε τον εύκαμπτο σωλήνα αναρρόφησης (Εικ. C, E)

Χρησιμοποιήστε τον εύκαμπτο σωλήνα αναρρόφησης για να τραβήξετε νερό από έναν κουβά ή άλλη πηγή καθαρού νερού.

**Σημείωση:** Να μη χρησιμοποιείται για αναρρόφηση σαπουνιού, χημικών, ακάθαρτων ή διαβρωτικών υγρών, όπως καθαριστικού παραθύρου, θρεπτικών ουσιών φυτών, λιπασμάτων ή χλωρίνης. Μη χρησιμοποιείτε αλμυρό νερό.

- ◆ Για να συνδέσετε τον προσαρμογέα εύκαμπτου σωλήνα ταχείας σύνδεσης (13) στο άκρο του εύκαμπτου σωλήνα αναρρόφησης στο φίλτρο ταχείας σύνδεσης (3) πάνω στο πλυστικό πίεσης (2), πιέστε τον προσαρμογέα εύκαμπτου σωλήνα ταχείας σύνδεσης σταθερά πάνω στο φίλτρο ταχείας σύνδεσης.

**Σημείωση:** Πριν τη χρήση, τραβήξτε προσεκτικά το λάστιχο κήπου για να βεβαιωθείτε ότι η σύνδεση είναι σταθερή.

Βεβαιωθείτε ότι ο προσαρμογέας εύκαμπτου σωλήνα ταχείας σύνδεσης στο άκρο του εύκαμπτου σωλήνα αναρρόφησης είναι σε επαφή με το φίλτρο ταχείας σύνδεσης, όπως δείχνει η εικόνα Ε.

- ◆ Τοποθετήστε το άλλο άκρο του εύκαμπτου σωλήνα αναρρόφησης με το φίλτρο πάνω του μέσα σε ένα δοχείο καθαρού νερού ή μια πηγή καθαρού νερού. Ρυθμίστε τον πλωτήρα πάνω στον εύκαμπο σωλήνα αναρρόφησης ώστε το φίλτρο να παραμένει καλυμμένο μέσα στο υγρό.
- ◆ Επιλέξτε το σωστό ακροστόμιο που θα χρησιμοποιηθεί. Δείτε την παράγραφο Τρόπος χρήσης του ακροστομίου πολλαπλών σχημάτων ψεκασμού.
- ◆ Αφού ολοκληρωθεί η εκτελούμενη εργασία, τοποθετήστε τον εύκαμπο σωλήνα αναρρόφησης μέσα σε ένα δοχείο καθαρού νερού και αναρροφήστε καθαρό νερό μέσα από το σύστημα για να το ξεπλύνετε.

## Τρόπος σύνδεσης του ακροστομίου 5 σε 1 σε ράβδο ψεκασμού

**Προειδοποίηση!** Κίνδυνος υποδόριας έγχυσης υγρού.

Μην κατευθύνετε τη ροή εξόδου της συσκευής προς άτομο, απροστάτευτο δέρμα, μάτια ή οποιαδήποτε κατοικίδια ή άλλα ζώα. Θα προκύψει σοβαρός τραυματισμός.

**Προειδοποίηση!** Εκτινασόμενα αντικείμενα θα μπορούσαν να προκαλέσουν κίνδυνο σοβαρού τραυματισμού. ΜΗΝ επιχειρήσετε να αλλάξετε ακροστόμια ενώ είναι σε λειτουργία το πλυστικό πίεσης. Απενεργοποιείτε το πλυστικό πίεσης πριν αλλάξετε ακροστόμια.

- ◆ Για να συνδέσετε το ακροστόμιο (10) στη ράβδο ψεκασμού (9), τραβήξτε το κολάρο ταχείας σύνδεσης προς τη ράβδο ψεκασμού και εισάγετε το ακροστόμιο.
- ◆ Ελευθερώστε το κολάρο ταχείας σύνδεσης για να ασφαλίσετε το ακροστόμιο στη θέση του.
- ◆ Για να διασφαλίσετε ότι το ακροστόμιο έχει ασφαλίσει στη θέση του, δώστε στο ακροστόμιο ένα γερό τράβηγμα αφού έχει ασφαλίσει στη θέση του το κολάρο ταχείας σύνδεσης.

## Πώς να χρησιμοποιείτε τη ράβδο ψεκασμού (Εικ. F)

Με αυτό το πλυστικό πίεσης παρέχεται ένα μεταβλητό ακροστόμιο 5 σε 1 (10).

- ◆ Για να ρυθμίσετε την πίεση του μεταβλητού ακροστομίου ψεκασμού (10), περιστρέψτε τη μύτη του δεξιόστροφα ή αριστερόστροφα για να επιτύχετε την επιθυμητή ροή.
- ◆ Ένα στενό σχήμα ψεκασμού είναι καλό για καθαρισμό σχαρών, ιδιωτικών οδών, πεζοδρομίων και τοίχων από τούβλα.
- ◆ Ένα πλατύ σχήμα ψεκασμού είναι καλό για καθαρισμό ξύλινων δαπέδων, βιυλίου, βαμμένων επιφανειών, αυτοκινήτων/τροχόσπιτων και σοβάδων.

**Σημείωση:** Ο πίδακας ψεκασμού υψηλής πίεσης από το πλυστικό πίεσης έχει την ικανότητα να προκαλέσει ζημιά σε επιφάνειες όπως από ξύλο, γυαλί, σε βαφή αυτοκινήτων, διακοσμητικές λωρίδες και εξαρτήματα αυτοκινήτων και σε ευαίσθητα είδη όπως λουλούδια και θάμνους. Πριν τον ψεκασμό ελέγξτε το είδος που θα καθαριστεί για να βεβαιωθείτε ότι είναι αρκετά ανθεκτική για να αντέξει τη δύναμη του ψεκασμού.

## Σωστή τοποθέτηση των χεριών (Εικ. Η)

**Προειδοποίηση!** Για να μειώσετε τον κίνδυνο σοβαρού τραυματισμού, ΠΑΝΤΑ να χρησιμοποιείτε τη σωστή θέση των χεριών όπως δείχνει η εικόνα.

**Προειδοποίηση!** Για να μειώσετε τον κίνδυνο σοβαρού τραυματισμού, ΠΑΝΤΑ να κρατάτε καλά το εργαλείο για να είστε προετοιμασμένοι σε περίπτωση ξαφνικής αντίδρασης. Για τη σωστή τοποθέτηση των χεριών απαιτείται ένα χέρι στην κύρια λαβή (1) με το άλλο χέρι στον κορμό του πλυστικού πίεσης (2) όπως φαίνεται στην εικόνα.

## Καθαρισμός με πίεση

### Προετοιμασία της επιφάνειας για καθαρισμό

- ◆ Αφαιρέστε από την περιοχή αντικείμενα που θα μπορούσαν να προκαλέσουν κίνδυνο.
- ◆ Βεβαιωθείτε ότι όλες οι πόρτες και τα παράθυρα είναι καλά κλεισμένα. Προστατεύετε όλα τα φυτά και τα δέντρα στην άμεση περιοχή με ένα πανί κάλυψης, και διασφαλίστε ότι δεν θα επηρεαστούν αρνητικά από τυχόν ψεκασμό εκτός της επιθυμητής επιφάνειας.
- ◆ Ξεπλύνετε προσεκτικά την περιοχή καθαρισμού χρησιμοποιώντας καθαρό νερό.
- ◆ Χρησιμοποιείτε μόνο απορρυπαντικά που έχουν σύνθεση ειδικά για πλυστικά πίεσης.
- ◆ Πάντα να δοκιμάζετε το απορρυπαντικό σε μια περιοχή που δεν φαίνεται, πριν τη χρήση.

### Προετοιμασία της μονάδας πλυστικού πίεσης για χρήση

**Προειδοποίηση!** Κίνδυνος υποδόριας έγχυσης υγρού και δημιουργίας αμυχών. Όταν χρησιμοποιείτε τη ρύθμιση υψηλής πίεσης, ΜΗΝ επιτρέπετε στον πίδακα υψηλής πίεσης να έρθει σε επαφή με μη προστατευμένο δέρμα, μάτια ή με τυχόν κατοικίδια ή άλλα ζώα. Θα προκύψει σοβαρός τραυματισμός.

**Προειδοποίηση!** Πριν τη λειτουργία:

- ◆ Συνδέστε στο πλυστικό πίεσης την παροχή νερού. Για οδηγίες σχετικά με τη σύνδεση της παροχής νερού, ανατρέξτε στο τμήμα Σύνδεση λάστιχου κήπου ή εύκαμπτου σωλήνα αναρρόφησης, στην ενότητα Συναρμολόγηση και ρυθμίσεις.
- ◆ Συνδέστε τη ράβδο ψεκασμού πίεσης, τη φιάλη σαπουνιού ή άλλο προσάρτημα.

Για οδηγίες σχετικά με τη σύνδεση της ράβδου ψεκασμού πίεσης, ανατρέξτε στο τμήμα Σύνδεση της ράβδου ψεκασμού, φιάλης σαπουνιού ή άλλου προσαρτήματος, στην ενότητα Συναρμολόγηση και ρυθμίσεις.

- ◆ Αφαιρέστε το λάστιχο κήπου από το πλυστικό πίεσης τραβώντας προς τα πίσω το κολάρο στον προσαρμογέα εύκαμπτου σωλήνα ταχείας σύνδεσης και αφαιρέστε το από το φίλτρο ταχείας σύνδεσης.

## Προετοιμασία του πλυστικού πίεσης

**ΣΗΜΑΝΤΙΚΟ:** Αποσυμπλέξτε την ασφάλεια σκανδάλης (4), πατήστε τη σκανδάλη (7) και κρατήστε τη σκανδάλη πατημένη για 30 δευτερόλεπτα για να αποβάλετε τον αέρα από το σύστημα. Αν συνεχίζει να βγαίνει αέρας μαζί με τη ροή νερού, συνεχίστε να περνάτε νερό από τη λαβή ψεκασμού.

- ◆ Αποσυμπλέξτε την ασφάλεια σκανδάλης(4).
- ◆ Πατήστε τη σκανδάλη (7).

## Καθαρισμός μιας επιφάνειας

**Προειδοποίηση!** Κίνδυνος τραυματισμού από τον πίδακα ψεκασμού. Πάντα να συμπλέκετε την ασφάλιση σκανδάλης όταν δεν χρησιμοποιείται το ψεκαστικό. Σε αντίθετη περίπτωση θα μπορούσε να προκληθεί ψεκασμός κατά λάθος.

- ◆ Για να θέσετε σε λειτουργία το πλυστικό πίεσης, αποσυμπλέξτε την ασφάλιση σκανδάλης (4) και πιέστε τη σκανδάλη (7).

**Σημείωση:** Η καλύτερη γωνία για ψεκασμό του νερού στην επιφάνεια που καθαρίζετε είναι στις 45°. Ο κήθετος ψεκασμός τείνει να προκαλεί την ενσωμάτωση των σωματιδίων ακαθαρσιών στην επιφάνεια. Όταν εργάζεστε σε κατακόρυφες επιφάνειες, είναι καλύτερα να εφαρμόζεται απορρυπαντικό ξεκινώντας από το κάτω μέρος και να προχωράτε προς τα πάνω, ώστε να μην αφήνετε το απορρυπαντικό να γλιστράει προς τα κάτω και να προκαλεί λωρίδες διαφορετικού χρώματος.

- ◆ Για να σταματήσετε το πλυστικό πίεσης, ελευθερώστε τη σκανδάλη.

**Σημείωση:** Η υπερβολική πίεση στην αντλία μπορεί να οφείλεται σε φραγμένο ακροστόμιο ή μπρούτζινο σύνδεσμο.

Πάντα να απενεργοποιείτε το πλυστικό πίεσης και να αφαιρείτε την μπαταρία πριν επιχειρήσετε να καθαρίσετε το φραγμένο ακροστόμιο ή μπρούτζινο σύνδεσμο.

**Προειδοποίηση!** Ποτέ μην αναρροφάτε νερό που περιέχει χημικά. Πάντα να αναρροφάτε νερό από πηγές καθαρού νερού.

## Τερματισμός λειτουργίας

- ◆ Για να σταματήσετε το πλυστικό πίεσης, ελευθερώστε τη σκανδάλη και αφαιρέστε την μπαταρία.
- ◆ Κλείστε την παροχή νερού από τη βρύση.
- ◆ Εκτονώστε την παραμένουσα πίεση πιέζοντας τη σκανδάλη (7) έως ότου σταματήσει να εξέρχεται νερό από τη ράβδο ψεκασμού (9).
- ◆ Αποσυνδέστε το λάστιχο σωλήνα από την εισαγωγή νερού (3) και τον εύκαμπο σωλήνα αποστράγγισης.

## Συντήρηση

**Προειδοποίηση!** Για να μειώσετε τον κίνδυνο σοβαρού τραυματισμού, απενεργοποιήστε τη μονάδα και αφαιρέστε το πακέτο μπαταρίας πριν κάνετε οποιοσδήποτε ρυθμίσεις ή πριν αφαιρέσετε/τοποθετήσετε προσαρτήματα ή παρελκόμενα. Τυχόν αθέλητη εκκίνηση μπορεί να προκαλέσει τραυματισμό.

## Καθαρισμός

**Προειδοποίηση!** Τουλάχιστον μία φορά την εβδομάδα, χρησιμοποιήστε καθαρό, ξηρό αέρα για να φυσήξετε και να απομακρύνετε ακαθαρσίες και σκόνη από όλα τα ανοίγματα αερισμού.

Για να ελαχιστοποιήσετε τον κίνδυνο τραυματισμού των ματιών, πάντα φοράτε προστασία ματιών όταν εκτελείτε αυτή τη διαδικασία.

**Προειδοποίηση!** Ποτέ μη χρησιμοποιήσετε διαλύτες ή άλλα σκληρά χημικά για τον καθαρισμό των μη μεταλλικών εξαρτημάτων του εργαλείου. Τα χημικά αυτά μπορεί να εξασθενήσουν τα πλαστικά υλικά που χρησιμοποιούνται σ' αυτά τα εξαρτήματα. Χρησιμοποιείτε ένα πανί που έχει υγρανθεί μόνο με νερό και ήπιο σαπούνι. Ποτέ μη αφήσετε οποιοδήποτε υγρό να εισέλθει στο εργαλείο. Ποτέ μη βυθίσετε οποιοδήποτε μέρος του εργαλείου σε υγρό.

## Ακροστόμιο

Σε περίπτωση φραγμένου ακροστομίου λόγω ξένων σωμάτων, όπως για παράδειγμα ακαθαρσιών, μπορεί να αναπτυχθεί υπερβολική πίεση.

Αν το ακροστόμιο είναι μόνο εν μέρει φραγμένο ή έχει περιορισμό ροής, η πίεση της αντλίας θα μεταβάλλεται παλμικά. Καθαρίστε το ακροστόμιο άμεσα.

- ◆ Τερματίστε τη λειτουργία του πλυστικού πίεσης (2) και απενεργοποιήστε την παροχή νερού.
- ◆ Τραβήξτε τη σκανδάλη (7) στην κύρια λαβή (1) για να εκτονώσετε τυχόν πίεση νερού.
- ◆ Αφαιρέστε το ακροστόμιο από τη ράβδο ψεκασμού (9) τραβώντας το κολάρο ταχείας σύνδεσης (10) προς τη ράβδο ψεκασμού.
- ◆ Αφαιρέστε τυχόν ακαθαρσίες από το ακροστόμιο.
- ◆ Περνάτε μέσα από το ακροστόμιο νερό από μια βρύση ή ένα λάστιχο κήπου.

## Φιάλη σαπουνιού

- ◆ Για να καθαρίσετε τη φιάλη σαπουνιού, τερματίστε τη λειτουργία του πλυστικού πίεσης και απενεργοποιήστε την παροχή νερού.

- ♦ Τραβήξτε τη σκανδάλη στην λαβή του ψεκαστικού για να εκτονώσετε τυχόν πίεση νερού.
- ♦ Αποσυνδέστε τη φιάλη σαπουνιού (11) από το πλυστικό πίεσης και ξεβιδώστε το ακροστόμιο της φιάλης σαπουνιού.
- ♦ Για να καθαρίσετε τη φιάλη σαπουνιού (11), αδειάστε τυχόν υπόλοιπο απορρυπαντικού πάλι στο δοχείο του. Χρησιμοποιήστε νερό από ένα λάστιχο κήπου για να ξεπλύνετε σχολαστικά τη φιάλη. Αδειάστε τη φιάλη και αφήστε τη να στεγνώσει.
- ♦ Επανεγκαταστήστε το ακροστόμιο της φιάλης σαπουνιού στη φιάλη σαπουνιού.

## Εύκαμπτος σωλήνας αναρρόφησης

- ♦ Για να καθαρίσετε τον εύκαμπτο σωλήνα αναρρόφησης (12), τερματίστε τη λειτουργία του πλυστικού πίεσης.
- ♦ Πατήστε τον διακόπτη σκανδάλης για να εκτονώσετε τυχόν πίεση νερού.
- ♦ Αποσυνδέστε τον εύκαμπτο σωλήνα αναρρόφησης (12) από το πλυστικό πίεσης.
- ♦ Για να καθαρίσετε τον εύκαμπτο σωλήνα αναρρόφησης, χρησιμοποιήστε νερό από ένα λάστιχο κήπου για να ξεπλύνετε σχολαστικά τον εύκαμπτο σωλήνα αναρρόφησης και αφήστε τον να στεγνώσει.

## Φίλτρο εύκαμπτου σωλήνα αναρρόφησης (Εικ. J)

- ♦ Περιτρέψτε αριστερόστροφα το φίλτρο (20) στο άκρο του εύκαμπτου σωλήνα αναρρόφησης (12) και αφαιρέστε το. Αφαιρέστε τη σήτα από το εσωτερικό του φίλτρου. Ξεπλύνετε όλα τα εξαρτήματα με καθαρό νερό και επανα-συναρμολογήστε τα.

## Φίλτρο ταχείας σύνδεσης (Εικ. K)

- ♦ Τραβήξτε προς τα πίσω το κολάρο στον προσαρμογέα εύκαμπτου σωλήνα ταχείας σύνδεσης και αφαιρέστε το λάστιχο κήπου ή τον εύκαμπτο σωλήνα αναρρόφησης από το φίλτρο ταχείας σύνδεσης ( 8 ).
- ♦ Αφαιρέστε το φίλτρο ταχείας σύνδεσης από το πλυστικό πίεσης.
- ♦ Μέσα στο φίλτρο ταχείας σύνδεσης ( 8 ) υπάρχει ένα φίλτρο σήτας ( 22 ). Αφαιρέστε το φίλτρο σήτας, ξεπλύνέτε το με καθαρό νερό και επανεγκαταστήστε το.

## Φύλαξη

- ♦ Πάντα να αδειάζετε τελείως το νερό από τον εύκαμπτο σωλήνα αναρρόφησης, το πλυστικό πίεσης, τη ράβδο ψεκασμού, τα ακροστόμια και τη φιάλη σαπουνιού.
- ♦ Να αποθηκεύετε το προϊόν σε μια ξηρή, στεγασμένη θέση σε θερμοκρασίες πάνω από το μηδέν. ΝΑ ΑΠΟΘΗΚΕΥΤΑΙ ΣΕ ΕΣΩΤΕΡΙΚΟ ΧΩΡΟ.

## Αξεσουάρ

**Προειδοποίηση!** Επειδή τα αξεσουάρ που δεν προσφέρει η STANLEY FATMAX δεν έχουν δοκιμαστεί με αυτό το προϊόν, η χρήση τέτοιων αξεσουάρ με αυτό το εργαλείο θα μπορούσε να είναι επικίνδυνη. Για να μειώσετε τον κίνδυνο τραυματισμού, με το προϊόν αυτό θα πρέπει να χρησιμοποιείτε μόνο αξεσουάρ που συνιστά η STANLEY FATMAX.

Τα αξεσουάρ που συνιστώνται για χρήση με το εργαλείο σας διατίθενται έναντι πρόσθετης χρέωσης στον τοπικό σας αντιπρόσωπο ή σε εξουσιοδοτημένο κέντρο σέρβις. Αν χρειάζεστε βοήθεια στον εντοπισμό οποιουδήποτε αξεσουάρ, επικοινωνήστε στο [www.blackanddecker.gr](http://www.blackanddecker.gr).

**STΖΗΚ2:** B+D Εύκαμπτος σωλήνας εισόδου, ΚΙΤ προσαρμογέα εύκαμπτου σωλήνα

**STΖSBSK3:** B+D ΚΙΤ καθαρισμού (βούρτσα, μάκτρο, σαπούνι, φιάλη)

**STΖSW1:** B+D Κοντή ράβδος

**STΖ5N1:** B+D Ακροστόμιο 5 σε 1

**STΖB1:** B+D Κουβάς

**STΖQDW1:** B+D Ράβδος ταχείας αποσύνδεσης

## Προστασία του περιβάλλοντος



Χωριστή συλλογή. Τα προϊόντα και οι μπαταρίες που επισημαίνονται με αυτό το σύμβολο δεν πρέπει να απορρίπτονται μαζί με τα κανονικά οικιακά απορρίμματα.

Τα προϊόντα και οι μπαταρίες περιέχουν υλικά που μπορούν να ανακτηθούν ή να ανακυκλωθούν ώστε να μειωθούν οι ανάγκες για πρώτες ύλες. Παρακαλούμε να ανακυκλώνετε τα ηλεκτρικά προϊόντα και τις μπαταρίες σύμφωνα με τους τοπικούς κανονισμούς.

## Τεχνικά χαρακτηριστικά

		SFMCP93
Πίεση	(bar)	24
Παροχή νερού	(λίτρα)	120
Μπαταρία	DC	18 V
Σωλήνας εισόδου		6 m
Πίεση νερού εισόδου	(bar)	1,4 - 6,9
Νερό εισόδου		Κρύο βρύση <sup>0</sup>
Ποσοστό κατανάλωσης σαπουνιού		10% ΜΕΓ.

		SFMCB12
Φορτιστής		
Τάση εισόδου	V <sub>ac</sub>	230
Τάση εξόδου	V <sub>ac</sub>	18
Ρεύμα	A	2

Μπαταρία		SFMCB202	SFMCB204	SFMCB206
Τάση	V <sub>oc</sub>	18	18	18
Χωρητικότητα	Ah	2.0	4.0	6.0
Τύπος		Li-Ion	Li-Ion	Li-Ion

Στάθμη ηχητικής ισχύος εκπομπών L<sub>PA</sub>: 75,0 dB(A)

Αβεβαιότητα (K) = 3 dB(A)

Μετρημένη στάθμη ηχητικής ισχύος L<sub>WA</sub>: 86,0 dB(A)

Αβεβαιότητα (K) = 1,6 dB(A).

Ο κάτωθι υπογεγραμμένος είναι υπεύθυνος για την κατάρτιση του τεχνικού φακέλου και δηλώνει τα παρόντα εκ μέρους της STANLEY FATMAX.

*Patrick Diepenbach*

Patrick Diepenbach

Γενικός διευθυντής, Μπενελούξ

Black and Decker,

Egide Walschaertsstraat 14-18

2800 Mechelen, Belgium (Βέλγιο)

30/11/2020

## Εγγύηση

Η STANLEY FATMAX είναι σίγουρη για την ποιότητα των προϊόντων της και προσφέρει στους καταναλωτές εγγύηση 12 μηνών από την ημερομηνία αγοράς. Αυτή η εγγύηση συμπληρώνει και με κανένα τρόπο δεν παραβιάζει τα νόμιμα δικαιώματά σας. Η εγγύηση ισχύει εντός της επικράτειας των χωρών μελών της Ευρωπαϊκής Ένωσης και της Ευρωπαϊκής Ζώνης Ελεύθερων Συναλλαγών.

Για να υποβάλετε αξίωση βάσει της εγγύησης, η αξίωση θα πρέπει να είναι σύμφωνη με τους Όρους και Προϋποθέσεις της STANLEY FATMAX και θα χρειαστεί να υποβάλετε απόδειξη αγοράς στο κατάστημα αγοράς ή σε εξουσιοδοτημένο αντιπρόσωπο επισκευών. Μπορείτε να αποκτήσετε τους Όρους και Προϋποθέσεις της εγγύησης 1 έτους της STANLEY FATMAX και να μάθετε την τοποθεσία του πλησιέστερου εξουσιοδοτημένου αντιπροσώπου επισκευών στο Internet στο [www.2helpU.com](http://www.2helpU.com), ή επικοινωνώντας με το τοπικό σας γραφείο STANLEY FATMAX στη διεύθυνση που υποδεικνύεται στο παρόν εγχειρίδιο.

Επισκεφθείτε τον ιστότοπό μας [www.stanley.eu/3](http://www.stanley.eu/3) για να καταχωρίσετε το καινούργιο προϊόν STANLEY FATMAX που αποκτήσατε και για να λαμβάνετε ενημερώσεις σχετικά με νέα προϊόντα και ειδικές προσφορές.



<b>België/Belgique</b>	Stanley Fat Max E. Walschaertstraat 14-16 2800 Mechelen Belgium	De. Tel. +32 70 220 065 Fr. Tel. +32 70 220 066 Fax +32 15 473 799 www.stanleytools.eu Enduser.be@SBDinc.com
<b>Danmark</b>	Stanley Fat Max Farveland 1B 2600 Glostrup	Tel. 70 20 15 10 Fax 70 22 49 10 www.stanleyworks.dk
<b>Deutschland</b>	Stanley Fat Max Richard Klinger Str. 11, D - 65510 Idstein	Tel. 06126 21-1 Fax 06126 21-2770
<b>Ελλάδα</b>	Stanley Fat Max. Στράβωνος 7 & Λεωφ. Βουλιαγμένης 159 Γλυφάδα 166 74 - Αθήνα	Τηλ. +30 210 8981-616 Φαξ +30 210 8983-285 www.stanleyworks.gr
<b>España</b>	Stanley Fat Max. Parc de Negocis "Mas Blau" Edificio Muntadas, c/Bergadá, 1, Of. A6 08820 El Prat de Llobregat (Barcelona)	Tel. 934 797 400 Fax 934 797 419 respuesta.postventa@sbdinc.com www.stanleyworks.es
<b>France</b>	Stanley Fat Max 5 allée des Hêtres B.P. 30084 69579 Limonest Cédex	Tel. 04 72 20 39 20 Fax 04 72 20 39 00 www.stanleyouillage.fr
<b>Helvetia</b>	Stanley Fat Max In der Luberzen 40 8902 Urdorf	Tel. 01 730 67 47 Fax 01 730 70 67 www.stanleyworks.de
<b>Italia</b>	Stanley Fat Max EnergyPark-Building 03 sud, Via Monza 7/A 20871 Vimercate (MB)	Tel. 039-9590200 Fax 039-9590313 www.stanley.it
<b>Nederland</b>	Stanley Fat Max Joulehof 12, 4600 RG Bergen op Zoom	Tel. +31 164 283 065 Fax +31 164 283 200 Enduser.NL@SBDinc.com
<b>Norge</b>	Stanley Fat Max Postboks 4613, Nydalen 0405 Oslo	Tlf. 45 25 13 00 Fax 45 25 08 00
<b>Österreich</b>	Stanley Fat Max Oberlaaerstraße 248, A-1230 Wien	Tel. 01 66116-0 Fax 01 66116-614 www.stanleyworks.de
<b>Portugal</b>	Stanley Fat Max Centro de Escritórios de Sintra Avenida Almirante Gago Coutinho, 132/134, Edifício 142710-418 Sintra 2710-418 Lisboa	Tel. 214667500 Fax 214667575 resposta.posvenda@sbdinc.com
<b>Suomi</b>	Stanley Fat Max Tekniikantie 12, 02150 Espoo	Puh. 010 400 430 Faksi 0800 411 340 www.stanleyworks.fi
<b>Sverige</b>	Stanley Fat Max Box 94, 431 22 Mölndal	Tel. 031-68 61 00 Fax 031-68 60 08
<b>Türkiye</b>	Stanley Fat Max KALE Hırdavat ve Makina A.Ş. Defterdar Mah. Savaklar Cad. No:15 Edirnekapı / Eyüp / İSTANBUL 34050	Puh. 0212 533 52 55 Faks 0212 533 10 05 www.stanleyworks.fi
<b>United Kingdom</b>	Stanley Fat Max 270 Bath Road Slough, Berkshire SL1 4DX	Tel. +44 (0)1753 511234 Fax +44 (0)1753 551155 www.stanleytools.co.uk
<b>Middle East &amp; Africa</b>	Stanley Fat Max P.O.Box - 17164 Jebel Ali (South Zone), Dubai, UAE	Tel. +971 4 8127400 Fax +971 4 8127036 www.stanleyworks.ae