

STANLEY®

FATMAX®



WWW.STANLEY.COM

SFMCMW2651

English (***original instructions***)

4

Русский (*перевод с оригинала*)

17

Англійська (*оригінальні інструкції*)

37

Fig. A

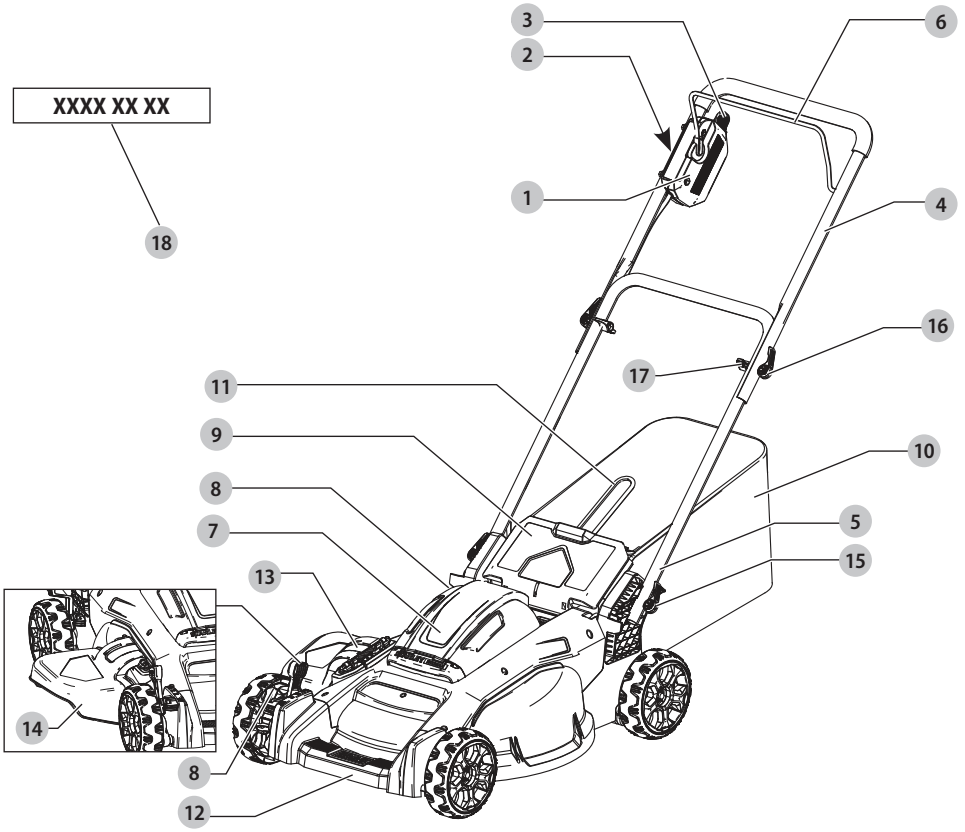


Fig. B

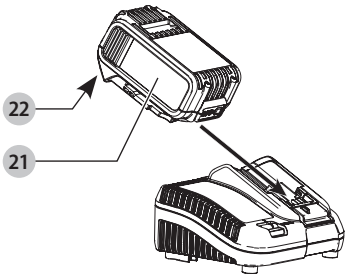


Fig. C

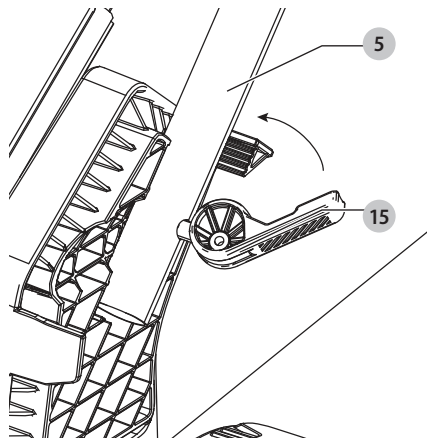


Fig. D

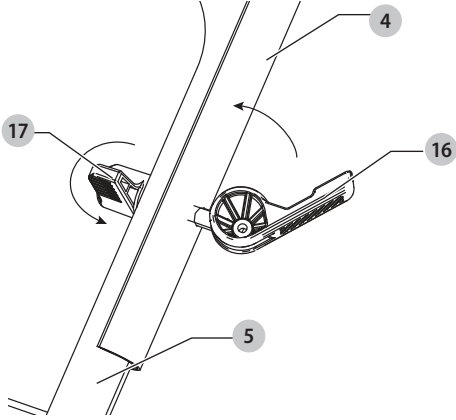


Fig. E

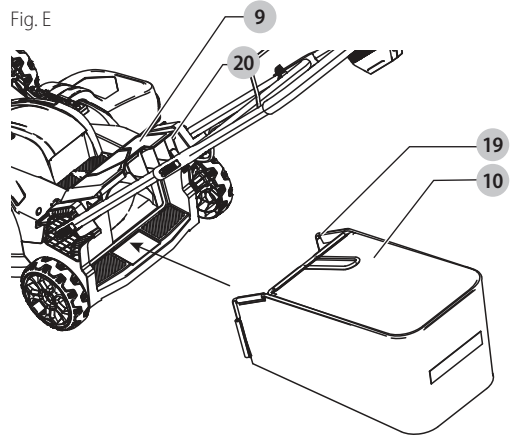


Fig. F

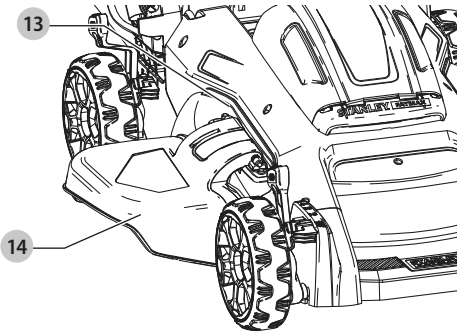


Fig. G

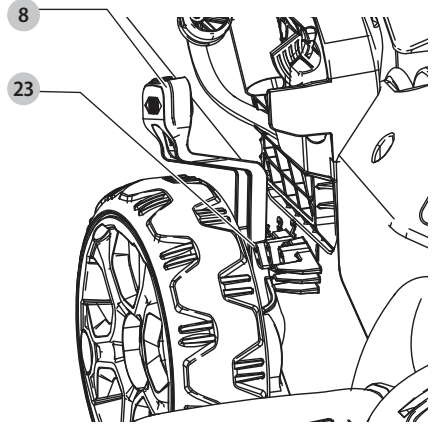


Fig. H

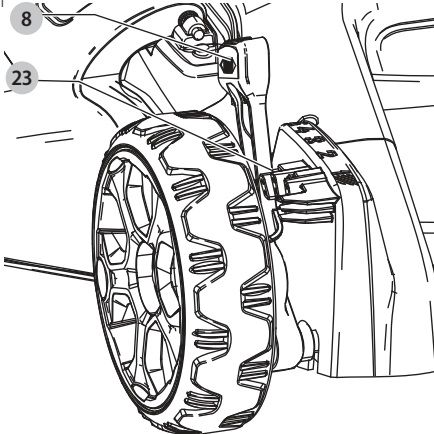


Fig. I

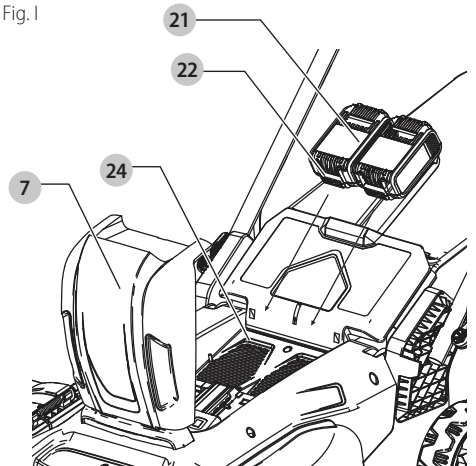


Fig. J

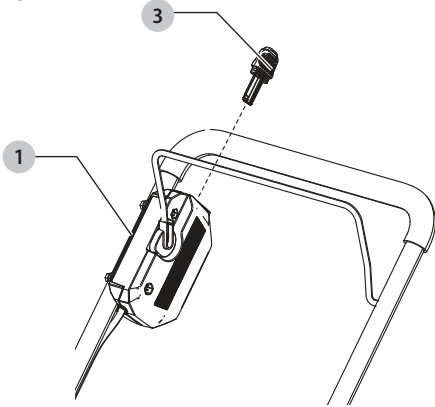


Fig. K

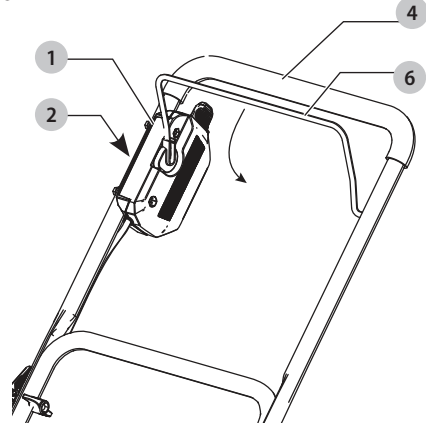


Fig. L

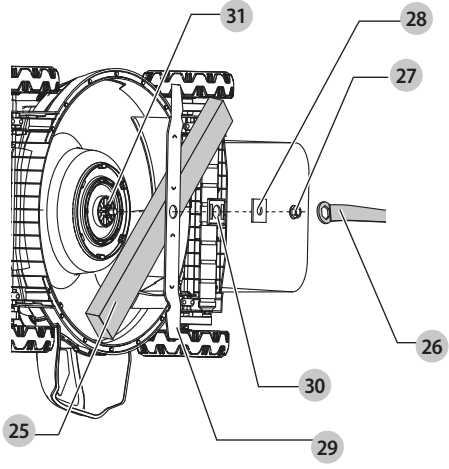


Fig. M

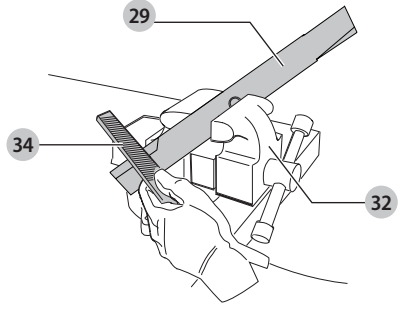
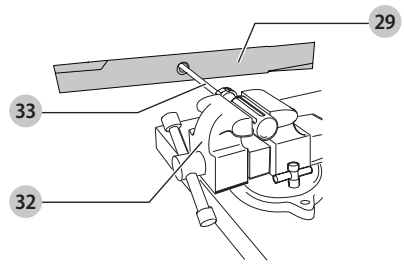


Fig. N



LAWN MOWER

SFMCMW2651

Congratulations!

You have chosen a STANLEY FATMAX tool. Years of experience, thorough product development and innovation make STANLEY FATMAX one of the most reliable partners for consumer power tool users.

SFMCMW2651		
Voltage	V_{DC}	2 x 18
Battery type		Li-Ion
No load speed	/min	2600
Blade Length	cm	49,5
Weight (without battery pack)	kg	14
Noise values and vibration values (triaux vector sum) according to EN60335-2-77		
L_{PA} (emission sound pressure level)	dB(A)	74.0
K (uncertainty for the sound pressure level)	dB(A)	0.9
L_{WA} (sound power level)	dB(A)	87
K (uncertainty for the given sound level)	dB(A)	0.8
Hand/arm weighted vibration value:		
Vibration emission value a_{h1} =	m/s^2	2.5
Uncertainty K =	m/s^2	1.5

The vibration and/or noise emission level given in this information sheet has been measured in accordance with a standardised test given in EN60335-2-69 and may be used to compare one tool with another. It may be used for a preliminary assessment of exposure.



WARNING: The declared vibration and/or noise emission level represents the main applications of the tool. However if the tool is used for different applications, with different accessories or poorly maintained, the vibration and/or noise emission may differ. This may significantly increase the exposure level over the total working period.

An estimation of the level of exposure to vibration and/or noise should also take into account the times when the tool is switched off or when it is running but not actually doing the job. This may significantly reduce the exposure level over the total working period.

Identify additional safety measures to protect the operator from the effects of vibration and/or noise such as: maintain the tool and the accessories, keep the hands warm (relevant for vibration), organisation of work patterns.

EC-Declaration of Conformity

Machinery Directive



Lawn Mower SFMCMW2651

STANLEY FATMAX declares that these products described under **Technical Data** are in compliance with:

2006/42/EC, EN60335-1:2012 + A11:2014 + A13:2017 + A1:2019 + A14:2019 + A2:2019, EN60335-2-77:2010.

These products also comply with Directive 2014/30/EU and 2011/65/EU. For more information, please contact STANLEY FATMAX at the following address or refer to the back of the manual.

The undersigned is responsible for compilation of the technical file and makes this declaration on behalf of STANLEY FATMAX.

2000/14/EC, Lawn Mower, L < 50 cm, Annex VI, DEKRA Certification B.V., Meander 1051 / P.O. Box 5185
6825 MJ ARNHEM / 6802 ED ARNHEM, Netherlands
Notified Body ID No.: 0344

Level of acoustic power according to 2000/14/EC
(Article 12, Annex III, L < 50 cm):

L_{WA} (measured sound power) 87.0 dB(A)

uncertainty (K) = 0.8 dB(A)

L_{WA} (guaranteed sound power) 88 dB(A)

Patrick Diepenbach

Patrick Diepenbach
General Manager, Benelux
STANLEY FATMAX Europe, Egide Walschaertsstraat14-18,
2800 Mechelen, Belgium
01.12.2020



WARNING: To reduce the risk of injury, read the instruction manual.

Definitions: Safety Guidelines

The definitions below describe the level of severity for each signal word. Please read the manual and pay attention to these symbols.




DANGER: Indicates an imminently hazardous situation which, if not avoided, **will** result in **death or serious injury**.




WARNING: Indicates a potentially hazardous situation which, if not avoided, **could** result in **death or serious injury**.

Batteries		Chargers/Charge Times (Minutes)
Cat #	V _{DC}	SFMCB12
SFMCB202	18	X
SFMCB204	18	X
SFMCB206	18	X

 **CAUTION:** Indicates a potentially hazardous situation which, if not avoided, **may** result in **minor or moderate injury**.

NOTICE: Indicates a practice **not related to personal injury** which, if not avoided, **may** result in **property damage**.

 Denotes risk of electric shock.

 Denotes risk of fire.

GENERAL POWER TOOL SAFETY WARNINGS

 **WARNING:** Read all safety warnings, instructions, illustrations and specifications provided with this power tool. Failure to follow all instructions listed below may result in electric shock, fire and/or serious injury.

SAVE ALL WARNINGS AND INSTRUCTIONS FOR FUTURE REFERENCE

The term "power tool" in the warnings refers to your mains-operated (corded) power tool or battery-operated (cordless) power tool.

1) Work Area Safety

- Keep work area clean and well lit.** Cluttered or dark areas invite accidents.
- Do not operate power tools in explosive atmospheres, such as in the presence of flammable liquids, gases or dust.** Power tools create sparks which may ignite the dust or fumes.
- Keep children and bystanders away while operating a power tool.** Distractions can cause you to lose control.

2) Electrical Safety

- Power tool plugs must match the outlet. Never modify the plug in any way. Do not use any adapter plugs with earthed (grounded) power tools.** Unmodified plugs and matching outlets will reduce risk of electric shock.
- Avoid body contact with earthed or grounded surfaces, such as pipes, radiators, ranges and refrigerators.** There is an increased risk of electric shock if your body is earthed or grounded.
- Do not expose power tools to rain or wet conditions.** Water entering a power tool will increase the risk of electric shock.
- Do not abuse the cord. Never use the cord for carrying, pulling or unplugging the power tool. Keep cord away from heat, oil, sharp edges or moving parts.** Damaged or entangled cords increase the risk of electric shock.

- When operating a power tool outdoors, use an extension cord suitable for outdoor use.** Use of a cord suitable for outdoor use reduces the risk of electric shock.
- If operating a power tool in a damp location is unavoidable, use a residual current device (RCD) protected supply.** Use of an RCD reduces the risk of electric shock.

3) Personal Safety

- Stay alert, watch what you are doing and use common sense when operating a power tool. Do not use a power tool while you are tired or under the influence of drugs, alcohol or medication.** A moment of inattention while operating power tools may result in serious personal injury.
- Use personal protective equipment. Always wear eye protection.** Protective equipment such as a dust mask, non-skid safety shoes, hard hat or hearing protection used for appropriate conditions will reduce personal injuries.
- Prevent unintentional starting. Ensure the switch is in the off-position before connecting to power source and/or battery pack, picking up or carrying the tool.** Carrying power tools with your finger on the switch or energising power tools that have the switch on invites accidents.
- Remove any adjusting key or wrench before turning the power tool on.** A wrench or a key left attached to a rotating part of the power tool may result in personal injury.
- Do not overreach. Keep proper footing and balance at all times.** This enables better control of the power tool in unexpected situations.
- Dress properly. Do not wear loose clothing or jewellery. Keep your hair and clothing away from moving parts.** Loose clothes, jewellery or long hair can be caught in moving parts.
- If devices are provided for the connection of dust extraction and collection facilities, ensure these are connected and properly used.** Use of dust collection can reduce dust-related hazards.
- Do not let familiarity gained from frequent use of tools allow you to become complacent and ignore tool safety principles.** A careless action can cause severe injury within a fraction of a second.

4) Power Tool Use and Care

- Do not force the power tool. Use the correct power tool for your application.** The correct power tool will do the job better and safer at the rate for which it was designed.

- b) **Do not use the power tool if the switch does not turn it on and off.** Any power tool that cannot be controlled with the switch is dangerous and must be repaired.
- c) **Disconnect the plug from the power source and/ or remove the battery pack, if detachable, from the power tool before making any adjustments, changing accessories, or storing power tools.** Such preventive safety measures reduce the risk of starting the power tool accidentally.
- d) **Store idle power tools out of the reach of children and do not allow persons unfamiliar with the power tool or these instructions to operate the power tool.** Power tools are dangerous in the hands of untrained users.
- e) **Maintain power tools and accessories. Check for misalignment or binding of moving parts, breakage of parts and any other condition that may affect the power tool's operation. If damaged, have the power tool repaired before use.** Many accidents are caused by poorly maintained power tools.
- f) **Keep cutting tools sharp and clean.** Properly maintained cutting tools with sharp cutting edges are less likely to bind and are easier to control.
- g) **Use the power tool, accessories and tool bits etc. in accordance with these instructions, taking into account the working conditions and the work to be performed.** Use of the power tool for operations different from those intended could result in a hazardous situation.
- h) **Keep handles and grasping surfaces dry, clean and free from oil and grease.** Slippery handles and grasping surfaces do not allow for safe handling and control of the tool in unexpected situations.

5) Battery Tool Use and Care

- a) **Recharge only with the charger specified by the manufacturer.** A charger that is suitable for one type of battery pack may create a risk of fire when used with another battery pack.
- b) **Use power tools only with specifically designated battery packs.** Use of any other battery packs may create a risk of injury and fire.
- c) **When battery pack is not in use, keep it away from other metal objects, like paper clips, coins, keys, nails, screws or other small metal objects, that can make a connection from one terminal to another.** Shorting the battery terminals together may cause burns or a fire.
- d) **Under abusive conditions, liquid may be ejected from the battery; avoid contact. If contact accidentally occurs, flush with water. If liquid contacts eyes, additionally seek medical help.** Liquid ejected from the battery may cause irritation or burns.
- e) **Do not use a battery pack or tool that is damaged or modified.** Damaged or modified batteries may exhibit unpredictable behaviour resulting in fire, explosion or risk of injury.
- f) **Do not expose a battery pack or tool to fire or excessive temperature.** Exposure to fire or temperature above 130 °C may cause explosion.

- g) **Follow all charging instructions and do not charge the battery pack or tool outside the temperature range specified in the instructions.** Charging improperly or at temperatures outside the specified range may damage the battery and increase the risk of fire.

6) Service

- a) **Have your power tool serviced by a qualified repair person using only identical replacement parts.** This will ensure that the safety of the power tool is maintained.
- b) **Never service damaged battery packs.** Service of battery packs should only be performed by the manufacturer or authorized service providers.

IMPORTANT SAFETY WARNINGS AND INSTRUCTIONS



WARNING: To reduce risk of injury:

- Before any use, be sure everyone using this tool reads and understands all safety instructions and other information contained in this manual.
- Save these instructions and review frequently prior to use and in instructing others.



WARNING: When using battery powered lawn mowers, basic safety precautions should always be followed to reduce the risk of fire, electric shock, and personal injury, including the following:

READ ALL INSTRUCTIONS

GENERAL SAFETY WARNINGS AND INSTRUCTIONS FOR ALL LAWN MOWERS



DANGER:

- **This tool can be dangerous.** Follow all warnings and Safety Instructions in this manual. The operator is responsible for following warnings and instructions in this manual and on unit. Restrict use of this mower to persons who read, understand and follow warnings and instructions in this manual and on unit.
- **Avoid dangerous environment** – don't use lawn mowers in damp or wet locations.
- **Don't Use In Rain.**
- **Keep Children Away** – All visitors should be kept a safe distance from work area.
- **Dress Properly** – Do not wear loose clothing or jewelry. They can be caught in moving parts. Use of rubber gloves and footwear is recommended when working outdoors.
- **Use Safety Glasses** – Always use face or dust mask if operation is dusty.
- **Use Right Appliance** – Do not use lawn mower for any job except that for which it is intended.
- **Check for damaged parts.** Before further use of the mower, a guard or other part that is damaged should be carefully checked to determine that it will operate properly and perform its intended function. Check for alignment of moving parts, binding of moving parts, breakage of parts, mounting, and

any other conditions that may affect their operation. A guard or other part that is damaged should be properly repaired or replaced by an authorised service centre unless otherwise indicated elsewhere in this manual.

- **Repairs and service.** Repairs, maintenance and any adjustments not specified in this manual should be performed by authorised service centres or other qualified service organizations, always using identical replacement parts.
- **Don't Force Lawn Mower** – It will do the job better and safer at the rate for which it was designed.
- **Don't Overreach** – Keep proper footing and balance at all times.
- **Stay Alert** – Watch what you are doing. Use common sense. Do not operate lawn mower when you are tired.
- **Disconnect Lawn Mower** – Remove the safety key and battery packs from the mower when not in use, before servicing, when changing accessories such as blades, and the like.
- **Store Idle Lawn Mower Indoors** – When not in use, lawn mower should be stored in an indoor dry and locked-up place – out of reach of children. Remove safety key and battery packs.
- **Maintain Lawn Mower With Care** – Keep cutting edges sharp and clean for best and safest performance. Follow instructions for lubricating and changing accessories. Keep handles dry, clean, and free from oil and grease.
- **Keep guards in place and in working order.**
- **Keep blades sharp.**
- **Keep hands and feet away from cutting area.**
- **Objects struck by the lawn mower blade can cause severe injuries to persons.** The lawn should always be carefully examined and cleared of all objects prior to each mowing.
- **If lawn mower strikes a foreign object, follow these steps:**
 1. Stop lawn mower. Release the bail handle.
 2. Remove battery packs and safety key.
 3. Inspect for damage.
 4. Repair any damage before restarting and operating the lawn mower.
- **Use identical replacement blades only.**

SAVE THESE INSTRUCTIONS

Important

Safe Practices for Pedestrian-Controlled Mowers

This machine is capable of amputating hands and feet and throwing objects. Failure to observe the following safety instructions could result in serious injury or death.

General Information

1. Read, understand, and follow instructions and warnings in this manual and on the machine, engine and attachments.
2. Only allow operators, who are responsible, trained, familiar with the instructions, and physically capable to operate the machine.

3. Do not operate the machine while under the influence of alcohol or drugs.

Preparation Before Operating

1. Clear the operating area of any objects which could be thrown by or interfere with operation of the machine.
2. Keep the area of operation clear of all bystanders, particularly small children and pets. Stop the machine and attachment(s) if anyone enters the area.
3. Do not operate the machine without the entire grass catcher, discharge chute, or other safety devices in place and functioning properly. Check frequently for signs of wear or deterioration and replace as needed.
4. Wear appropriate personal protective equipment such as safety glasses, hearing protection, respiratory protection and footwear.

Operating

1. Only operate the machine in daylight or good artificial light.
2. Avoid holes, ruts, bumps, rocks, or other hidden hazards. Uneven terrain could overturn the machine, or cause operator's loss of balance or footing. Tall grass can hide obstacles. Stay behind handle.
3. Do not put hands or feet near rotating parts or under the machine. Keep clear of the discharge opening at all times.
4. Do not direct discharge material toward anyone. Avoid discharging material against a wall or obstruction. Material may ricochet back toward the operator. Stop the blade(s) when crossing gravel surfaces.
5. Do not pull mower backward unless absolutely necessary. Always look down and behind before and while moving backward.
6. Always release the bail handle to stop the motor and wait until the blade comes to a complete stop and remove the safety key and battery packs before cleaning the mower, removing the grass catcher, unclogging the discharge, when leaving the mower, when storing the mower, when transporting the mower, or before any adjustments, repairs or inspection.
7. If the mower should start to vibrate abnormally, release the bail handle, wait for the blade to stop and remove the safety key and battery packs, then check for the cause immediately. Vibration is generally a warning of trouble.

Children Specific

1. Tragic accidents can occur if the operator is not alert to the presence of children. Children are often attracted to the machine and the mowing activity. Never assume that children will remain where you last saw them.
2. Keep children out of the operating area and under the watchful care of a responsible adult other than the operator.
3. Be alert and turn mower off if child enters the area.

Slope Specific

1. Slopes are a major factor related to accidents. Operation on slopes requires extra caution. Do not mow slope if uncomfortable doing so.

- Mow across the face of slopes; never up and down. Use caution while operating near dropoffs, ditches, or embankments.
- Avoid mowing wet grass. (Poor footing could cause a slip and fall accident.)
- Do not operate machine under any condition where traction, steering, or stability is in question. Mower could slide even if the wheels are stopped.
- Avoid starting and stopping on slopes. Avoid making sudden changes in speed or direction. Make turns slowly and gradually.
- Use extra care while operating machine with a grass catcher or other attachment(s). They can affect the stability of the machine.

Service

- Keep machine in good working order. Replace worn or damaged parts.
- Use caution when servicing blades. Wrap the blade(s) or wear gloves. Replace damaged blades. Do not repair or alter blade(s). Keep all nuts and bolts tight.
- Keep mower free of grass, leaves, or other debris build-up.
- Maintain or replace safety and instruction labels as necessary.

The following are explanations of important safety hazard pictorials on the mower.



User must read and understand the instruction manual.



To avoid the risk of serious injury do not mow up and down slopes. Always mow across slopes.



To avoid the risk of injury to bystanders keep all persons and pets at a safe distance from the mower while operating.



Rotating blades can cause serious injury. Keep hands and feet clear of mower deck and discharge opening at all times. Always be sure blade has stopped. Release bail handle to turn mower off and wait for the blade to stop rotating (approximately 3 seconds) and remove the safety key and battery packs before removing and replacing grass catcher, cleaning, servicing, transporting or lifting the mower.



Objects struck by mower blade can cause serious injury. Stay behind the handle when the motor is running. Always ensure persons and pets are clear of the discharge from the mower while operating. Always inspect mowing area before mowing and remove objects that could be thrown by blade. Release bail handle to turn mower off and wait for the blade to stop rotating (approximately 3 seconds) before crossing walk, roads, patio and gravel drives.

Additional Safety Information



WARNING: Never modify the power tool or any part of it. Damage or personal injury could result.



WARNING: ALWAYS use safety glasses. Everyday eyeglasses are NOT safety glasses. Also use face or dust mask if cutting operation is dusty. Wear hearing protection if cutting operation is noisy. **ALWAYS WEAR CERTIFIED SAFETY EQUIPMENT.**

Residual Risks

In spite of the application of the relevant safety regulations and the implementation of safety devices, certain residual risks cannot be avoided. These are:

- Impairment of hearing.
- Risk of personal injury due to flying particles.
- Risk of burns due to accessories becoming hot during operation.
- Risk of personal injury due to prolonged use.

SAVE THESE INSTRUCTIONS

Chargers

STANLEY FATMAX chargers require no adjustment and are designed to be as easy as possible to operate.

Electrical Safety

The electric motor has been designed for one voltage only. Always check that the battery pack voltage corresponds to the voltage on the rating plate. Also make sure that the voltage of your charger corresponds to that of your mains.



Your STANLEY FATMAX charger is double insulated in accordance with EN60335; therefore no earth wire is required.

If the supply cord is damaged, it must be replaced only by STANLEY FATMAX or an authorised service organisation.

Mains Plug Replacement (U.K. & Ireland Only)

If a new mains plug needs to be fitted:

- Safely dispose of the old plug.
- Connect the brown lead to the live terminal in the plug.
- Connect the blue lead to the neutral terminal.



WARNING: No connection is to be made to the earth terminal.

Follow the fitting instructions supplied with good quality plugs. Recommended fuse: 3 A.

Using an Extension Cable

An extension cord should not be used unless absolutely necessary. Use an approved extension cable suitable for the power input of your charger (see **Technical Data**). The minimum conductor size is 1 mm²; the maximum length is 30 m.

When using a cable reel, always unwind the cable completely.


Important Safety Instructions for All Battery Chargers


SAVE THESE INSTRUCTIONS: This manual contains important safety and operating instructions for compatible battery chargers (refer to **Technical Data**).

- Before using charger, read all instructions and cautionary markings on charger, battery pack, and product using battery pack.

 **WARNING:** Shock hazard. Do not allow any liquid to get inside charger. Electric shock may result.

 **WARNING:** We recommend the use of a residual current device with a residual current rating of 30mA or less.

 **CAUTION:** Burn hazard. To reduce the risk of injury, charge only STANLEY FATMAX rechargeable batteries. Other types of batteries may burst causing personal injury and damage.

 **CAUTION:** Children should be supervised to ensure that they do not play with the appliance.

NOTICE: Under certain conditions, with the charger plugged into the power supply, the exposed charging contacts inside the charger can be shorted by foreign material. Foreign materials of a conductive nature such as, but not limited to, steel wool, aluminum foil or any buildup of metallic particles should be kept away from charger cavities. Always unplug the charger from the power supply when there is no battery pack in the cavity. Unplug charger before attempting to clean.

- **DO NOT attempt to charge the battery pack with any chargers other than the ones in this manual.** The charger and battery pack are specifically designed to work together.
- **These chargers are not intended for any uses other than charging STANLEY FATMAX rechargeable batteries.** Any other uses may result in risk of fire, electric shock or electrocution.
- **Do not expose charger to rain or snow.**
- **Pull by plug rather than cord when disconnecting charger.** This will reduce risk of damage to electric plug and cord.
- **Make sure that cord is located so that it will not be stepped on, tripped over, or otherwise subjected to damage or stress.**
- **Do not use an extension cord unless it is absolutely necessary.** Use of improper extension cord could result in risk of fire, electric shock, or electrocution.
- **Do not place any object on top of charger or place the charger on a soft surface that might block the ventilation slots and result in excessive internal heat.** Place the charger in a position away from any heat source. The charger is ventilated through slots in the top and the bottom of the housing.
- **Do not operate charger with damaged cord or plug—** have them replaced immediately.
- **Do not operate charger if it has received a sharp blow, been dropped, or otherwise damaged in any way.** Take it to an authorised service centre.

- **Do not disassemble charger; take it to an authorised service centre when service or repair is required.** Incorrect reassembly may result in a risk of electric shock, electrocution or fire.
- *In case of damaged power supply cord, the supply cord must be replaced immediately by the manufacturer, its service agent or similar qualified person to prevent any hazard.*
- **Disconnect the charger from the outlet before attempting any cleaning. This will reduce the risk of electric shock.** Removing the battery pack will not reduce this risk.
- **NEVER** attempt to connect two chargers together.
- **The charger is designed to operate on standard 230V household electrical power. Do not attempt to use it on any other voltage.** This does not apply to the vehicular charger.

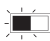





Charging a Battery (Fig. B)

1. Plug the charger into an appropriate outlet before inserting battery pack.
2. Insert the battery pack **21** into the charger, making sure the battery pack is fully seated in the charger. The red (charging) light will blink repeatedly indicating that the charging process has started.
3. The completion of charge will be indicated by the red light remaining ON continuously. The battery pack is fully charged and may be used at this time or left in the charger. To remove the battery pack from the charger, push the battery release button **22** on the battery pack.

NOTE: To ensure maximum performance and life of lithium-ion battery packs, charge the battery pack fully before first use.

Charger Operation

Refer to the indicators below for the charge status of the battery pack.

Charge Indicators	
	Charging 
	Fully Charged 
	Hot/Cold Pack Delay* 

*The red light will continue to blink, but a yellow indicator light will be illuminated during this operation. Once the battery pack has reached an appropriate temperature, the yellow light will turn off and the charger will resume the charging procedure. The compatible charger(s) will not charge a faulty battery pack. The charger will indicate faulty battery by refusing to light.

NOTE: This could also mean a problem with a charger. If the charger indicates a problem, take the charger and battery pack to be tested at an authorised service centre.

Hot/Cold Pack Delay

When the charger detects a battery pack that is too hot or too cold, it automatically starts a Hot/Cold Pack Delay, suspending charging until the battery pack has reached an appropriate

temperature. The charger then automatically switches to the pack charging mode. This feature ensures maximum battery pack life.

A cold battery pack will charge at a slower rate than a warm battery pack. The battery pack will charge at that slower rate throughout the entire charging cycle and will not return to maximum charge rate even if the battery pack warms.

Electronic Protection System

Li-Ion tools are designed with an Electronic Protection System that will protect the battery pack against overloading, overheating or deep discharge.

The tool will automatically turn off if the Electronic Protection System engages. If this occurs, place the lithium-ion battery pack on the charger until it is fully charged.

Battery Packs

Important Safety Instructions for All Battery Packs

When ordering replacement battery packs, be sure to include catalogue number and voltage.

The battery pack is not fully charged out of the carton. Before using the battery pack and charger, read the safety instructions below. Then follow charging procedures outlined.

READ ALL INSTRUCTIONS

- **Do not charge or use battery in explosive atmospheres, such as in the presence of flammable liquids, gases or dust.** Inserting or removing the battery from the charger may ignite the dust or fumes.
- **Never force battery pack into charger. Do not modify battery pack in any way to fit into a non-compatible charger as battery pack may rupture causing serious personal injury.**
- Charge the battery packs only in STANLEY FATMAX chargers.
- **DO NOT splash or immerse in water or other liquids.**
- **Do not store or use the tool and battery pack in locations where the temperature may fall below 4 °C (39.2 °F) (such as outside sheds or metal buildings in winter), or reach or exceed 40 °C (104 °F) (such as outside sheds or metal buildings in summer).**
- **Do not incinerate the battery pack even if it is severely damaged or is completely worn out.** The battery pack can explode in a fire. Toxic fumes and materials are created when lithium-ion battery packs are burned.
- **If battery contents come into contact with the skin, immediately wash area with mild soap and water.** If battery liquid gets into the eye, rinse water over the open eye for 15 minutes or until irritation ceases. If medical attention is needed, the battery electrolyte is composed of a mixture of liquid organic carbonates and lithium salts.
- **Contents of opened battery cells may cause respiratory irritation.** Provide fresh air. If symptoms persists, seek medical attention.



WARNING: Burn hazard. Battery liquid may be flammable if exposed to spark or flame.



WARNING: Never attempt to open the battery pack for any reason. If battery pack case is cracked or damaged, do not insert into charger. Do not crush, drop or damage battery pack. Do not use a battery pack or charger that has received a sharp blow, been dropped, run over or damaged in any way (i.e., pierced with a nail, hit with a hammer, stepped on). Electric shock or electrocution may result. Damaged battery packs should be returned to service centre for recycling.



WARNING: Fire hazard. Do not store or carry the battery pack so that metal objects can contact exposed battery terminals. For example, do not place the battery pack in aprons, pockets, tool boxes, product kit boxes, drawers, etc., with loose nails, screws, keys, etc.



CAUTION: When not in use, place tool on its side on a stable surface where it will not cause a tripping or falling hazard. Some tools with large battery packs will stand upright on the battery pack but may be easily knocked over.

Transportation



WARNING: Fire hazard. Transporting batteries can possibly cause fire if the battery terminals inadvertently come in contact with conductive materials. When transporting batteries, make sure that the battery terminals are protected and well insulated from materials that could contact them and cause a short circuit. **NOTE:** Lithium-ion batteries should not be put in checked baggage.

STANLEY FATMAX batteries comply with all applicable shipping regulations as prescribed by industry and legal standards which include UN Recommendations on the Transport of Dangerous Goods; International Air Transport Association (IATA) Dangerous Goods Regulations, International Maritime Dangerous Goods (IMDG) Regulations, and the European Agreement Concerning The International Carriage of Dangerous Goods by Road (ADR). Lithium-ion cells and batteries have been tested to section 38.3 of the UN Recommendations on the Transport of Dangerous Goods Manual of Tests and Criteria.

In most instances, shipping a battery pack will be excepted from being classified as a fully regulated Class 9 Hazardous Material. In general, only shipments containing a lithium-ion battery with an energy rating greater than 100 Watt Hours (Wh) will require being shipped as fully regulated Class 9. All lithium-ion batteries have the Watt Hour rating marked on the pack. Furthermore, due to regulation complexities, STANLEY FATMAX does not recommend air shipping lithium-ion battery packs alone regardless of Watt Hour rating. Shipments of tools with batteries (combo kits) can be air shipped as excepted if the Watt Hour rating of the battery pack is no greater than 100 Wh. Regardless of whether a shipment is considered excepted or fully regulated, it is the shipper's responsibility to consult the latest regulations for packaging, labeling/marketing and documentation requirements.

The information provided in this section of the manual is provided in good faith and believed to be accurate at the time the document was created. However, no warranty, expressed or implied, is given. It is the buyer's responsibility to ensure that its activities comply with the applicable regulations.

Storage Recommendations

1. The best storage place is one that is cool and dry away from direct sunlight and excess heat or cold. For optimum battery performance and life, store battery packs at room temperature when not in use.
2. For long storage, it is recommended to store a fully charged battery pack in a cool, dry place out of the charger for optimal results.

NOTE: Battery packs should not be stored completely depleted of charge. The battery pack will need to be recharged before use.

Labels on Charger and Battery Pack

In addition to the pictographs used in this manual, the labels on the charger and the battery pack may show the following pictographs:



Read instruction manual before use.



See **Technical Data** for charging time.



Do not probe with conductive objects.



Do not charge damaged battery packs.



Do not expose to water.



Have defective cords replaced immediately



Charge only between 4 °C and 40 °C.



Only for indoor use.



Discard the battery pack with due care for the environment.



Charge STANLEY FATMAX battery packs only with designated STANLEY FATMAX chargers. Charging battery packs other than the designated STANLEY FATMAX batteries with a STANLEY FATMAX charger may make them burst or lead to other dangerous situations.



Do not incinerate the battery pack.

Battery Type

The following tools operate on two 18 volt battery packs: SFMCMW2651

These battery packs may be used: SFMFCB202, SFMFCB204, SFMFCB206. Refer to **Technical Data** for more information.

Package Contents

The package contains:

- 1 Lawn mower
- 1 Charger
- 1 Grass Collection Bag
- 1 Side Discharge Chute
- 1 Safety Key
- 2 Li-Ion battery packs (C2, D2, L2, M2, P2, S2, T2, X2, Y3 models)
- 1 Instruction manual

NOTE: Battery packs, chargers and kitboxes are not included with N models. Battery packs and chargers are not included with NT models.

- Check for damage to the tool, parts or accessories which may have occurred during transport.
- Take the time to thoroughly read and understand this manual prior to operation.

Markings on Tool

The following pictographs are shown on the tool:



Read instruction manual before use.



Wear ear protection.



Wear eye protection.



Beware of flying objects. Keep bystanders away from the cutting area.



Directive 2000/14/EC guaranteed sound power.



Do not expose to rain.



The blades will continue to rotate after the machine is switched off.

Date Code Position (Fig. A)

The date code **18**, which also includes the year of manufacture, is printed into the housing.

Example:

2020 XX XX

Year and week of Manufacture

Description (Fig. A)



WARNING: Never modify the area light. Damage or personal injury could result.

- 1 ON-OFF switch box
- 2 ON-OFF button
- 3 Safety key
- 4 Main handle (Upper handle)
- 5 Lower handle
- 6 Bail handle
- 7 Battery cover
- 8 Cut height adjust lever
- 9 Rear door cover
- 10 Grass collection bag
- 11 Grass collection bag handle
- 12 Lower carrying handle
- 13 Side flap
- 14 Side discharge attachment
- 15 Handle height adjust levers
- 16 Upper handle lock levers
- 17 Upper handle knob

Intended Use

This lawn mower has been designed for consumer lawn mowing applications.

DO NOT use under wet conditions or in the presence of flammable liquids or gases.

DO NOT let children come into contact with the tool.

Supervision is required when inexperienced operators use this tool.

- **Young children and the infirm.** This appliance is not intended for use by young children or infirm persons without supervision.
- This appliance is not intended for use by persons (including children) with reduced physical, sensory or mental capabilities, or lack of experience and knowledge, unless they have been given supervision or instruction concerning use of the appliance by a person responsible for their safety. Children should be supervised to ensure that they do not play with the appliance.

ASSEMBLY AND ADJUSTMENTS



DANGER: To reduce the risk of serious personal injury, turn unit off and remove the safety key and battery packs before making any adjustments or removing/installing attachments or accessories. An accidental start-up can cause injury.

Adjusting Handle Height (Fig. A, C)

The mower is shipped in storage mode. You will need to adjust the handle to operating position before continuing.

1. To unlock the lower handle **5** from the storage position, open the two handle height adjust levers **15**. The handle height adjust levers **15** are located on both sides of the lower handle **5**.

2. Raise the lower handle to the operating position. Take care to not pinch or stress the cord.
3. Close the handle height adjust levers **15**, securing the lower handle into position.

NOTE: If the connection between the handle and lever is too tight or too loose, open the lever and adjust the depth of the lever by turning the lever clockwise or counterclockwise. Close it again until each lever stays securely closed and the handle is secure and will not move.

Attaching Upper Handle (Fig. A, D)

1. Line up the holes on the bottom of the upper handle **4** with the holes on the top of the lower handle **5**. Take care to not pinch or stress the cord.

NOTE: Make sure the cord is located on the front of both handles. If it is not it may result in the cord tangling and the inability to easily store the mower.

2. From the outside of the upper handle **4**, slide the handle lock levers **16** through the two handle holes. Repeat for the opposite side.
3. From the inside of the upper handle loosely tighten a knob **17** onto each handle lock lever **16**.
4. Rotate the upper handle **4** into its operating position. Take care to not pinch or stress the cord.
5. Close the handle lock levers **16** securing the upper handle into position.

NOTE: If the connection between the handle and lever is too tight or too loose, open the lever and adjust the depth of the lever by turning the lever clockwise or counterclockwise. Close it again until each lever stays securely closed and the handle is secure and will not move.

Grass Collection Bag (Fig. E)



DANGER: Turn unit off and remove safety key and battery packs.

1. Lift the rear door cover **9** and place the grass collection bag **10** onto the mower so the bag lugs **19** slide into the slots **20** on the inside plastic surfaces of the handle brackets as shown in Fig. E. Then lower the rear door cover.
2. If installed, remove side discharge chute **14** and make sure side flap **13** is fully down.

Side Discharge (Fig. A, F)



DANGER: Turn unit off and remove safety key and battery packs.

1. To operate mower in side discharge mode, remove the grass collection bag **10**.
2. Be sure rear door cover **9** is closed.
3. Lift the side flap **13** and hook side discharge chute **14** onto the mower.
4. Release the side flap and ensure the side discharge chute **14** holds in place before turning mower on.

NOTE: The rear door cover **9** is shaped in such a way that the opening (at the bottom) cannot be completely closed off.

Mulching (Fig. A, E, F)

 **DANGER:** Turn unit off and remove safety key and battery packs.

1. To operate mower in mulching mode, remove the grass collection bag **10**.
2. Be sure rear door cover **9** is closed.
3. If installed, remove side discharge chute **14** and make sure side flap **13** is fully down.

Adjusting Mower Height (Fig. G, H)

 **WARNING:** Never attempt to adjust mower height with the motor running.

The height of cut is adjusted by the cut height adjust lever **8**.


NOTE: If you are not sure what height to cut at, begin mowing with the cut height adjustment levers **8** positioned towards the rear of the appliance and adjust the height down as needed.


To Set the Height of Cut

1. Pull the cut height adjustment lever **8** out of the locking notch **23**.
2. Move the lever towards the rear of the appliance to raise the height of cut as desired.
3. Move the lever towards the front of the appliance to lower the height of cut as desired.
4. Push the cut height adjustment lever **8** into one of the locking notches **23** to set the height.
5. Repeat for the other cut height adjustment lever **8**.

OPERATION


Instructions for Use

 **WARNING:** Always observe the safety instructions and applicable regulations.

 **WARNING:** To reduce the risk of serious personal injury, turn tool off and disconnect battery pack before making any adjustments or removing/installing attachments or accessories. An accidental start-up can cause injury.

Proper Hand Position (Fig. K)


 **WARNING:** To reduce the risk of serious personal injury, ALWAYS use proper hand position as shown.

 **WARNING:** To reduce the risk of serious personal injury, ALWAYS hold securely in anticipation of a sudden reaction.

Proper hand position requires both hands grasping the main handle **4**, and bail handle **6**.


READ THIS INSTRUCTION MANUAL BEFORE OPERATING YOUR MOWER

Refer to Figure A at the beginning of this manual for a complete list of components. Save this manual for future reference.

 **DANGER: Sharp moving blade.** Do not operate the mower in mulching mode if the rear door and side discharge door are not closed under spring tension as


serious injury could result. Take your mower to the nearest service center for repair.

 **DANGER:** Do not operate mower unless handle is locked into position.

 **DANGER: Sharp moving blade.** Never operate the mower in bagging mode unless the bag lugs on the grass collection bag are seated properly on the mower and the rear discharge door rests firmly against the top of the grass collection bag as serious injury could result.

 **WARNING:** Let the mower work at its own pace. Do not overload.

Installing and Removing the Battery Packs (Fig. I)

 **DANGER: MAKE CERTAIN THE SAFETY KEY IS REMOVED TO PREVENT ACTUATION BEFORE REMOVING OR INSTALLING BATTERIES.**

This mower is designed to operate on two battery packs of equal capacity. The mower will not operate on a single battery pack, and if using different capacity battery packs, the smaller capacity battery pack, when depleted, will cause the unit to turn off.

NOTE: For best results, make sure the battery packs are fully charged.

To Install the Battery Packs

1. Lift and hold the battery port cover **7** up to expose the battery port **24**.
2. Slide a battery pack **21** into the battery port **24** until an audible click is heard (Fig. I). Repeat for the second battery port.


NOTE: Ensure the battery packs are fully seated and fully latched into position before starting mower.

3. Close the battery port cover. Ensure the cover is fully closed before starting mower.


To Remove the Battery Packs

1. Lift and hold the battery port cover **7** up to expose the battery port **24**.
2. Depress the battery release button **22** on the battery pack **21** and pull the battery packs out of tool.


Safety Key (Fig. J)

 **DANGER: Sharp moving blade.** In order to prevent accidental start-up or unauthorized use of your cordless mower, a removable safety key (3 has been incorporated into the design of your mower. The mower will be completely disabled when the safety key has been removed from the mower.

NOTE: The safety key has a tether rope to allow for storage on a nail, out of the reach of children. Do not tether safety key to mower.


 **DANGER: Rotating blades can cause serious injury.** To prevent serious injury, turn unit off and remove safety key and battery packs when unattended, or when charging, cleaning, servicing, transporting, lifting, or storing mower.

Starting Mower (Fig. I–K)

 **DANGER: Sharp moving blade. Never attempt to override the operation of the switch box and safety key system as serious injury could result.**

NOTE: Mower is operational when battery packs and safety key are installed.

1. Lift and hold the battery port cover **7** up to expose the battery port **24**.
2. Slide a battery pack **21** into the battery port **24** until an audible click is heard. Repeat this process for the second battery port.
NOTE: Ensure the battery packs are fully seated and fully latched into position before starting mower.
3. Close the battery port cover. Ensure the cover is fully closed before starting mower.
4. Insert safety key **3** into the ON-OFF switch box **1** until it is fully seated inside housing. The mower is now operational.
5. Your mower is equipped with a special ON-OFF switch box **1**. To operate the mower, push and hold the ON-OFF button **2** on the ON-OFF switch box **1**, then pull the bail handle **6** to the main handle **4**.
NOTE: Once the mower starts you can release the ON-OFF button, but you must continue to hold the bail handle to the main handle for the mower to run.
6. To turn the mower OFF, release the bail handle **6**.


 **WARNING:** Never attempt to lock a switch or bail handle in the ON position.


NOTE: Once the bail handle has returned to the original position it will activate the “Automatic Braking Mechanism”. The motor is braked and the mower blade will stop rotating in three seconds or less. If mower blade rotates longer than three seconds, discontinue using mower and have it serviced.

Mower Overload

To prevent damage due to overload conditions, do not try to remove too much grass at one time. Slow down your cutting pace, or raise the cut height.

Mowing Tips (Fig. A)

 **WARNING: ALWAYS INSPECT AREA WHERE MOWER IS TO BE USED AND REMOVE ALL STONES, STICKS, WIRE, BONES, AND OTHER DEBRIS WHICH MIGHT BE THROWN BY THE ROTATING BLADE.**

 **WARNING:** Mow across the face of slopes, never up-and-down. Exercise extreme caution when changing direction on slopes. Do not mow excessively (greater than 15°) steep slopes. Always maintain good footing.

- Release bail handle to turn mower “OFF” when crossing any gravel area (stones can be thrown by the blade).
- Set mower at highest cutting height when mowing in rough ground or in tall weeds. Removing too much grass at one time can cause the motor to be overloaded and to stop.
- If a grass collection bag **10** is used during the fast growing season, the grass may tend to clog up at the discharge opening. Release bail handle to turn mower off, remove the safety key and battery packs. Remove the catcher and

shake the grass down to the back end of the bag. Also clean out any grass or debris which may be packed around the discharge opening. Replace the grass catcher.


- If mower should start to vibrate abnormally, release bail handle to turn mower off, remove the safety key and battery packs. Check immediately for cause. Vibration is a warning of trouble. Do not operate mower until a service check has been made.
- For best cutting results, keep blade sharpened and balanced.
- Inspect and thoroughly clean mower after each use as a deck with caked grass will degrade performance.
- Always release bail handle to turn mower off, remove safety key and battery packs when leaving it unattended even for a short period of time.

The following suggestions will help you to obtain optimum run time from your cordless mower:

- Slow down in areas where the grass is especially long or thick.
- Avoid mowing when the grass is wet from rain or dew-soaked.
- Cut your lawn frequently, especially during high growth periods.


NOTE: It is recommended that your battery packs be recharged after use to prolong the battery pack life. Frequent charging will not harm your battery pack, and will ensure that the battery pack is fully charged and ready for its next use. Storing battery pack not fully charged will shorten its life.


Carrying the Mower (Fig. A)

 **DANGER: Rotating blades can cause serious injury. To prevent serious injury, remove safety key and battery pack when unattended, or when charging, cleaning, servicing, transporting, lifting, or storing mower.**

The mower can be carried using the convenient carry handle **12**. DO NOT attempt to lift the mower by grasping the main handle **4**.

Storage (Fig. C, D)

 **DANGER: Rotating blade can cause serious injury. Release bail handle to turn mower off, remove safety key, and remove battery packs before lifting, transporting, or storing the mower. Store in a dry place.**

 **CAUTION: Pinch point. To avoid being pinched, keep fingers away from area around handle brackets when folding down handles.**

The handle of the mower can be easily folded down for quick and convenient storage.

1. Open the handle lock levers **16** securing the upper handle.
2. Rotate the upper handle towards the front of the mower.
3. Open the handle height adjust levers **15**.
4. Rotate the lower handle to the storage position.
5. Close the handle height adjust levers **15**, securing the lower handle into the storage position.

MAINTENANCE

Your power tool has been designed to operate over a long period of time with a minimum of maintenance. Continuous satisfactory operation depends upon proper tool care and regular cleaning.



WARNING: To reduce the risk of serious personal injury, turn tool off and disconnect battery pack before making any adjustments or removing/installing attachments or accessories. An accidental start-up can cause injury.

The charger and battery pack are not serviceable.

Removing and Installing Blade (Fig. L)



DANGER: RISK OF INJURY. WHEN REASSEMBLING THE BLADE SYSTEM, ENSURE EACH PART IS REINSTALLED CORRECTLY, AS DESCRIBED BELOW. IMPROPER ASSEMBLY OF THE BLADE OR OTHER PARTS OF THE BLADE SYSTEM MAY CAUSE SERIOUS INJURY.



DANGER: To reduce the risk of serious personal injury, turn unit off, remove safety key and battery packs before making any adjustments or removing/installing attachments or accessories. An accidental start-up can cause injury.

NOTE: Only use STANLEY FATMAX approved blades and accessories. Use STANLEY FATMAX replacement blade Model No. DWO1DT233.

1. Cut a piece of 2" x 4" wood **25** (about 2 feet long) (610 mm) to keep blade from turning when removing the flange nut **27**.



WARNING: Use gloves and proper eye protection. Turn the mower on its side. Be careful of sharp edges of blade.

2. Position wood and unscrew flange nut counterclockwise with a 18 mm wrench **26** as shown in Fig. L.
3. Remove square metal blade spacer **30**, square plastic blade insulator **28** and blade **29** as shown in Fig. L. The blade fan **31** should not be removed. Examine all pieces for damage and replace if necessary.
4. Install sharpened or new blade on shoulder of the blade fan as shown in Fig. L.

NOTE: When replacing sharpened or new blade on shoulder of blade fan, make sure the "GRASS SIDE" on the blade will be facing the ground when the mower is returned to its normal upright position.

5. Install the plastic blade insulator **28** on the blade such that the raised lips on one side engage the edges of the blade.
6. Install the blade spacer **30** so that it sits inside the raised lips on the other side of the blade insulator. Be sure to align the flats in the hole of the blade spacer with the flats of the shaft, rotating the blade and blade insulator together as necessary.
7. Position piece of wood to keep blade from turning as shown in Fig. L. Install flange nut **27** with the flange against the blade spacer **30** and securely tighten the blade **29** with a 18 mm wrench **26**.

Blade Sharpening

KEEP BLADE SHARP FOR BEST MOWER PERFORMANCE. A DULL BLADE DOES NOT CUT GRASS CLEANLY.



WARNING: Use gloves and proper eye protection while removing, sharpening, and installing blade. Ensure that safety key and battery pack are removed.

Sharpening the blade twice during a mowing season is usually sufficient under normal circumstances. Sand causes the blade to dull quickly. If your lawn has sandy soil, more frequent sharpening may be required. **REPLACE BENT OR DAMAGED BLADE IMMEDIATELY.**

When Sharpening the Blade:

- Make sure blade remains balanced.
- Sharpen blade at the original cutting angle.
- Sharpen cutting edges on both ends of blade, removing equal amounts of material from both ends.

To Sharpen Blade in a Vise (Fig. M)

1. Be sure the bail handle is released, the blade has stopped and safety key and battery packs are removed before removing the blade.
2. Remove blade from mower. See instructions for **Removing and Installing Blade**.
3. Secure blade **29** in a vise **32**.
4. Wear proper eye protection and gloves and be careful not to cut yourself.
5. Carefully file the cutting edges of the blade with a fine tooth file **34** (not included) or sharpening stone (not included), maintaining the angle of the original cutting edge.
6. Check balance of blade. See instructions for **Blade Balancing**.
7. Replace blade on mower and tighten securely.

Blade Balancing (Fig. N)

Check balance of the blade **29** by placing center hole in the blade over a nail or round screwdriver **33**, clamped horizontally in a vise **32**. If either end of the blade rotates downward, file along the sharp edge of that dropping end. Blade is properly balanced when neither end drops.



Lubrication

Your power tool requires no additional lubrication.



Cleaning



WARNING: Blow dirt and dust out of the main housing with dry air as often as dirt is seen collecting in and around the air vents. Wear approved eye protection and approved dust mask when performing this procedure.



WARNING: Never use solvents or other harsh chemicals for cleaning the non-metallic parts of the tool. These chemicals may weaken the materials used in these parts.

*Use a cloth dampened only with water and mild soap.
Never let any liquid get inside the tool; never immerse any
part of the tool into a liquid.*

Release bail handle **6** to turn mower off, let the blade come to a stop and then remove the battery packs and safety key. Clean out any clippings which may have accumulated on the underside of the deck. Do not spray water or other liquids. After several uses, check all exposed fasteners for tightness.

Optional Accessories



WARNING: *Since accessories, other than those offered by STANLEY FATMAX, have not been tested with this product, use of such accessories with this tool could be hazardous. To reduce the risk of injury, only STANLEY FATMAX recommended accessories should be used with this product.*

Consult your dealer for further information on the appropriate accessories.

Protecting the Environment



Separate collection. Products and batteries marked with this symbol must not be disposed of with normal household waste.

Products and batteries contain materials that can be recovered or recycled reducing the demand for raw materials. Please recycle electrical products and batteries according to local provisions. Further information is available at www.2helpU.com.

Rechargeable Battery Pack

This long life battery pack must be recharged when it fails to produce sufficient power on jobs which were easily done before. At the end of its technical life, discard it with due care for our environment:

- Run the battery pack down completely, then remove it from the tool.
- Li-Ion cells are recyclable. Take them to your dealer or a local recycling station. The collected battery packs will be recycled or disposed of properly.

КОЛЕСНАЯ ГАЗОКОСИЛКА

SFMCMW2651

Поздравляем!

Вы приобрели инструмент STANLEY FATMAX. Многолетний опыт, тщательная разработка изделий и инновации делают STANLEY FATMAX одним из самых надежных партнеров для пользователей профессионального электроинструмента.

SFMCMW2651		
Напряжение	В пост. тока	2 x 18
Тип батареи		Ионно-литиевая
Скорость без нагрузки	ход/мин.	2600
Длина ножей	см	49,5
Вес (без аккумуляторной батареи)	кг	14

Значения шума и вибрации (сумма векторов в трех плоскостях) в соответствии с EN60335-2-77

L_{PA} (уровень звукового давления)	дБ(A)	74,0
K (погрешность для заданного уровня звукового давления)	дБ(A)	0,9
L_{WA} (уровень акустической мощности)	дБ(A)	87
K (погрешность для заданного уровня мощности)	дБ(A)	0,8
Средневзвешенное значение воздействия вибрации на руку:		
Значение вибрационного воздействия a_{Hv} =	m/s^2	2,5
Погрешность K =	m/s^2	1,5

Значение воздействия вибрации и/или шума, указанное в данном справочном листке, было получено в соответствии со стандартным тестом, приведенным в EN60335-2-69 и может использоваться для сравнения инструментов. Кроме того, оно может использоваться для предварительной оценки воздействия вибрации.



ВНИМАНИЕ: Заявленное значение воздействия вибрации и/или шума относится к основным областям применения инструмента. Однако, если инструмент используется для различных целей, с различными дополнительными принадлежностями или при ненадлежащем уходе, то уровень шума и/или вибрации может измениться. Это может привести к значительному увеличению уровня воздействия вибрации в течение всего рабочего периода.

При расчете приблизительного значения уровня воздействия шума и/или вибрации также необходимо учитывать время, когда инструмент выключен или то время, когда он работает на холостом ходу. Это может привести к значительному снижению уровня воздействия вибрации в течение всего рабочего периода. Определите дополнительные меры техники безопасности для защиты оператора от воздействия шума и/или вибрации, а именно:

поддержание инструмента и дополнительных принадлежностей в рабочем состоянии, создание комфортных условий работы (соответствующих вибрации), хорошая организация рабочего места.

Декларация о соответствии нормам ЕС

Директива по механическому оборудованию



Колесная газонокосилка SFMCMW2651

STANLEY FATMAX заявляет, что продукция, описанная в раздел «Технические характеристики», соответствует: 2006/42/EC, EN60335-1:2012 + A11:2014 + A13:2017 + A1:2019 + A14:2019 + A2:2019, EN60335-2-77:2010.

Эти продукты также соответствуют Директивам 2014/30/EU и 2011/65/EU. За дополнительной информацией обращайтесь в STANLEY FATMAX по адресу, указанному ниже или приведенному на задней стороне обложки руководства. Нижеподписавшийся несет ответственность за составление технической документации и составил данную декларацию по поручению STANLEY FATMAX.

2000/14/EC, Колесная газонокосилка, L < 50 см, Annex VI, DEKRA Certification B.V., Meander 1051 / P.O. Box 5185 6825 MJ ARNHEM / 6802 ED ARNHEM, Netherlands

Идентификационный № уведомленного органа: 0344

Уровень звуковой мощности в соответствии с директивой 2000/14/EC (Статья 12, Приложение III, $L \leq 50$ см):

L_{WA} (измеренная акустическая мощность) 87,0 дБ(A)
погрешность (K) = 0,8 дБ(A)

L_{WA} (гарантированная акустическая мощность) 88 дБ(A)

Patrick Diepenbach

Patrick Diepenbach
Генеральный директор, Benelux
STANLEY FATMAX Europe, Egide Walschaertsstraat 14-18,
2800 Mechelen, Belgium
01.12.2020



ВНИМАНИЕ: Во избежание риска получения травм ознакомьтесь с инструкцией.

Обозначения: Правила техники безопасности

Ниже описывается уровень опасности, обозначаемый каждым из предупреждений. Прочитайте руководство и обратитесь внимание на данные символы.



ОПАСНО: Обозначает опасную ситуацию, которая неизбежно приведет к серьезной травме или

Аккумуляторные батареи		Зарядные устройства/время зарядки (мин)
Кат. №	В _{пост. тока}	SFMCB12
SFMCB202	18	X
SFMCB204	18	X
SFMCB206	18	X

смертельному исходу, в случае несоблюдения соответствующих мер безопасности.



ВНИМАНИЕ: Указывает на потенциально опасную ситуацию, которая, в случае несоблюдения соответствующих мер безопасности, **может привести к серьезной травме или смертельному исходу.**



ПРЕДУПРЕЖДЕНИЕ: Указывает на потенциально опасную ситуацию, которая, в случае несоблюдения соответствующих мер безопасности, **может стать причиной травм средней или легкой степени тяжести.**

ПРИМЕЧАНИЕ: Указывает на практики, использование которых не связано с получением травмы, но если ими пренебречь, **могут привести к порче имущества.**



Указывает на риск поражения электрическим током.



Указывает на риск возгорания.

ОБЩИЕ ПРАВИЛА ТЕХНИКИ БЕЗОПАСНОСТИ ПРИ ИСПОЛЬЗОВАНИИ ЭЛЕКТРОИНСТРУМЕНТОВ



ВНИМАНИЕ: Прочтите все правила техники безопасности, инструкции, иллюстрации и спецификации по данному электроинструменту. Несоблюдение всех приведенных ниже инструкций может стать причиной поражения электрическим током, возгорания и/или тяжелой травмы.

СОХРАНИТЕ ВСЕ ИНСТРУКЦИИ ДЛЯ ПОСЛЕДУЮЩЕГО ИСПОЛЬЗОВАНИЯ

Термин «электроинструмент» в предупреждениях относится к питаемому от электросети (проводному) или от аккумуляторных батарей (беспроводному) электроинструменту.

1) Безопасность на рабочем месте

- Следите за чистотой и хорошим освещением на рабочем месте.** Беспорядок или плохое освещение на рабочем месте могут стать причиной несчастного случая.
- Запрещается работать с электроинструментами во взрывоопасных местах, например, вблизи легковоспламеняющихся жидкостей, газов и пыли.** Искры, которые появляются при работе

электроинструментов могут привести к воспламенению пыли или паров.

- Следите за тем, чтобы во время работы с электроинструментом в зоне работы не было посторонних и детей.** Отвлекаясь от работы вы можете потерять контроль над инструментом.

2) Электробезопасность

- Штепсельная вилка электроинструмента должна соответствовать розетке. Никогда не меняйте вилку инструмента. Запрещается использовать переходники к вилкам для электроинструментов с заземлением.** Использование оригинальных штепсельных вилок, соответствующих типу сетевой розетки снижает риск поражения электрическим током.
- Избегайте контакта с заземленными поверхностями, такими как трубы, радиаторы и холодильники.** Если вы будете заземлены, увеличивается риск поражения электрическим током.
- Запрещается оставлять электроинструмент под дождем и в местах повышенной влажности.** При попадании воды в электроинструмент, риск поражения электрическим током возрастает.
- Берегите кабель от повреждений. Никогда не используйте кабель для переноски электроинструмента, не тяните за него, пытайтесь отключить инструмент от сети. Держите кабель подальше от источников тепла, масла, острых углов или движущихся предметов.** Поврежденный или запутанный кабель питания повышает риск поражения электрическим током.
- При работе с электроинструментом вне помещения необходимо пользоваться удлинителем, рассчитанным на эксплуатацию в соответствующих условиях.** Использование кабеля питания, предназначенного для использования вне помещения, снижает риск поражения электрическим током.
- При необходимости эксплуатации электроинструмента в местах с повышенной влажностью используйте устройство защитного отключения (УЗО).** Использование УЗО снижает риск поражения электрическим током.

3) Обеспечение индивидуальной безопасности

- При работе с электроинструментом сохраняйте бдительность, следите за своими действиями и руководствуйтесь**

здравым смыслом. Не работайте с электроинструментом, если вы устали, находитесь в состоянии наркотического, алкогольного опьянения или под воздействием лекарственных препаратов. Невнимательность при работе с электроинструментом может привести к серьезным травмам.

- b) **Используйте средства индивидуальной защиты. Всегда надевайте защитные очки.** Использование при работе таких средств защиты, как пылезастыная маска, обувь с нескользящей подошвой, каска и защитные наушники снижает риск травм.
- c) **Примите меры для предотвращения случайного включения. Перед тем как подключить электроинструмент к сети и/или аккумуляторной батарее, возьмите инструмент или перенести его на другое место, убедитесь в том, что выключатель находится в положении «Выкл.». Если при переноске электроинструмента он подключен к сети, и при этом ваш палец находится на выключателе, это может стать причиной несчастных случаев.**
- d) **Уберите все регулировочные или гаечные ключи перед включением электроинструмента.** Ключ, оставленный на вращающейся части электроинструмента, может привести к травме.
- e) **Не пытайтесь дотянуться до слишком удаленных поверхностей. Всегда твердо стойте на ногах, сохраняя равновесие.** Это позволит лучше контролировать электроинструмент в непредвиденных ситуациях.
- f) **Одевайтесь соответствующим образом. Не носите свободную одежду и ювелирные украшения. Следите за тем, чтобы волосы и одежда не попадали под движущиеся детали.** Возможно наматывание свободной одежды, ювелирных изделий и длинных волос на движущиеся детали.
- g) **При наличии устройств для подключения оборудования для удаления и сбора пыли необходимо обеспечить правильность их подключения и эксплуатации.** Использование устройства для пылеудаления сокращает риски, связанные с пылью.
- h) **Не позволяйте хорошему знанию от частого использования инструментов стать причиной самонадеянности и игнорирования правил техники безопасности.** Небрежное действие может повлечь серьезные травмы за долю секунды.

4) Эксплуатация электроинструмента и уход за ним

- a) **Избегайте чрезмерной нагрузки электроинструмента. Используйте электроинструмент в соответствии с назначением.** Правильно подобранный электроинструмент выполнит работу более эффективно и безопасно при стандартной нагрузке.

- b) **Не пользуйтесь инструментом, если не работает выключатель.** Любой инструмент, управляемый выключением и включением которого невозможно, опасен, и его необходимо отремонтировать.
- c) **Перед выполнением любых настроек, сменой дополнительных принадлежностей или прежде чем убрать инструмент на хранение, отключите его от сети и/или снимите с него аккумуляторную батарею, если ее можно снять.** Такие превентивные меры безопасности сокращают риск случайного включения электроинструмента.
- d) **Храните электроинструмент в недоступном для детей месте и не позволяйте работать с инструментом людям, не имеющим соответствующих навыков работы с такого рода инструментами.** Электроинструмент представляет опасность в руках неопытных пользователей.
- e) **Поддерживайте электроинструмент и принадлежностей в исправном состоянии. Проверьте, не нарушена ли центровка или не заклинены ли движущиеся детали, нет ли поврежденный или иных неисправностей, которые могли бы повлиять на работу электроинструмента. В случае обнаружения поврежденный, прежде чем приступить к эксплуатации электроинструмента, его следует отремонтировать.** Большинство несчастных случаев происходит из-за электроинструментов, которые не обслуживаются должным образом.
- f) **Следите за остротой заточки и чистой режущих принадлежностей.** Вероятность заклинивания инструмента, за которым следят должным образом и который хорошо заточен, значительно меньше, а работать с ним легче.
- g) **Используйте данный электроинструмент, а также дополнительные приспособления и насадки в соответствии с данными инструкциями и с учетом условий и специфики работы.** Использование электроинструмента для выполнения операций, для которых он не предназначен, может привести к созданию опасных ситуаций.
- h) **Все рукоятки и поверхности захватывания должны быть сухими и без следов смазки.** Скользкие рукоятки и поверхности захватывания не позволяют обеспечить безопасность работы и управления инструментом в непредвиденных ситуациях.

5) Использование аккумуляторных электроинструментов и уход за ними

- a) **Используйте для зарядки аккумуляторной батареи только указанное производителем зарядное устройство.** Использование зарядного


устройства определенного типа для зарядки других батарей может привести к возгоранию.

- b) **Используйте для электроинструмента только батареи указанного типа.** Использование других аккумуляторных батарей может стать причиной травмы и пожара.
- c) **Оберегайте батарею от попадания в нее скрепок, монет, ключей, гвоздей, болтов или других мелких металлических предметов, которые могут вызывать замыкание контактов.** Короткое замыкание контактов аккумуляторной батареи может привести к пожару или получению ожогов.
- d) **При повреждении батареи, из нее может вытечь электролит. Не прикасайтесь к нему. При случайном контакте с электролитом смойте его водой. При попадании электролита в глаза обратитесь за медицинской помощью.** Жидкость, находящаяся внутри аккумуляторной батареи, может вызвать раздражение или ожоги.
- e) **Не используйте поврежденные или измененные аккумуляторные батареи или инструменты.** Поврежденные или измененные аккумуляторные батареи могут работать непредсказуемо, что может привести к возгоранию, взрыву или риску получения травм.
- f) **Не подвешивайте аккумуляторные батареи или инструмент воздействию огня или повышенной температуры.** Открытый огонь или воздействие высокой температуры выше 130 °C может привести к взрыву.
- g) **Следуйте всем инструкциям по зарядке и не заряжайте аккумуляторную батарею или инструмент вне температурного диапазона, указанного в инструкции.** Неправильная зарядка или зарядка вне указанного температурного диапазона может привести к повреждению батареи и увеличить риск возгорания.

6) Сервисное обслуживание

- a) **Обслуживание электроинструмента должно выполняться только квалифицированным техническим персоналом.** Это позволит обеспечить безопасность обслуживаемого инструмента.
- b) **Не выполняйте обслуживание поврежденных аккумуляторных батарей.** Обслуживание аккумуляторных батарей должно выполняться только производителем или авторизованными поставщиками услуг.

ВАЖНЫЕ ПРЕДУПРЕЖДЕНИЯ И ИНСТРУКЦИИ ПО ТЕХНИКЕ БЕЗОПАСНОСТИ

 **ВНИМАНИЕ:** Чтобы снизить риск получения травмы:

- Перед любым использованием убедитесь, что все, кто использует этот инструмент, читают и понимают все инструкции по

технике безопасности и другую информацию, содержащуюся в данном руководстве.

- Сохраните данные инструкции для последующего обращения перед использованием инструмента или обучением других людей.



ВНИМАНИЕ: При использовании аккумуляторных колесных газонокосилок всегда следует соблюдать основные меры предосторожности, чтобы снизить риск возникновения пожара, поражения электрическим током и получения травм:

ВНИМАТЕЛЬНО ПРОЧИТЕ ВСЕ ИНСТРУКЦИИ

ОБЩИЕ ПРЕДУПРЕЖДЕНИЯ И ИНСТРУКЦИИ ПО ТЕХНИКЕ БЕЗОПАСНОСТИ ДЛЯ ВСЕХ КОЛЕСНЫХ ГАЗОКОСИЛОК



ОПАСНО:

- **Данный инструмент может представлять опасность.** Следуйте всем предупреждениям и инструкциям по технике безопасности в данном руководстве по эксплуатации. Оператор несет ответственность за выполнение предупреждений и инструкций, содержащихся в данном руководстве и на инструменте. Использование данной газонокосилки допускается только лицами, прочитавшими, понявшими и соблюдающими предупреждения и инструкции в этом руководстве и на инструменте.
- **Избегайте опасной окружающей среды** – Не используйте колесную газонокосилку в мокрых или влажных местах.
- **Не используйте под дождем.**
- **Не подпускайте детей к рабочей зоне** – Все посторонние лица должны находиться вне рабочей зоны.
- **Одевайтесь правильно** – Избегайте носить свободную одежду и ювелирные украшения. Они могут быть затянуты в движущиеся части. При работе на улице рекомендуется надевать резиновые перчатки и прочную обувь.
- **Надевайте защитные очки** – Если при работе выделяется много пыли, всегда используйте пылезащитную маску или респиратор.
- **Используйте инструмент по назначению** – Не используйте колесную газонокосилку для каких-либо работ, кроме тех, для которых она предназначена.
- **Проверяйте исправность деталей инструмента.** Перед дальнейшим использованием газонокосилки необходимо тщательно проверить защитный кожух или другую поврежденную деталь, чтобы определить, будет ли она работать должным образом и выполнять свои функции. Проверьте центровку и качество крепления движущихся деталей, наличие поврежденных деталей, качество монтажа и любые другие условия, которые могут повлиять на работу инструмента. Защитный кожух или другие поврежденные детали

должны быть должным образом отремонтированы или заменены в авторизованном сервисном центре, если в настоящем руководстве по эксплуатации не указано иное.

- **Сервисное обслуживание и ремонт.** Ремонт, техническое обслуживание и любая регулировка, обозначенная в данном руководстве по эксплуатации, должны выполняться в авторизованном сервисном центре или другой квалифицированной организации по обслуживанию и всегда с использованием идентичным запасных частей.
- **Не перегружайте колесную газонокосилку** – Правильно подобранный инструмент выполнит работу более эффективно и безопасно при стандартной нагрузке.
- **Работайте в устойчивой позе** – Всегда твердо стойте на ногах, сохраняя равновесие.
- **Будьте внимательны** – Следите за тем, что делаете. Руководствуйтесь здравым смыслом. Не работайте инструментом в состоянии усталости.
- **Выключайте колесную газонокосилку** – Извлекайте из газонокосилки ключ безопасности и аккумуляторные батареи, когда она не используется, перед сервисным обслуживанием, при смене дополнительных принадлежностей, например, ножей и пр.
- **Храните неиспользуемую колесную газонокосилку внутри помещений** – Неиспользуемая колесная газонокосилка должна храниться в помещении, в сухом и запечатом месте, недоступном для детей. Извлеките ключ безопасности и аккумуляторную батарею.
- **Следите за состоянием колесной газонокосилки** – Следите, чтобы режущие кромки оставались острыми и чистыми для наилучшей и безопасной работы. Смазку и замену принадлежностей выполняйте в соответствии с инструкциями. Поверхность рукояток должна быть сухой, чистой и не содержать следов масла и смазки.
- **Следите, чтобы защитные кожухи всегда были установлены и находились в хорошем рабочем состоянии.**
- **Следите за остротой заточки ножей.**
- **Держите руки подальше от зоны резки.**
- **Предметы, попавшие под ножи колесной газонокосилки, могут стать причиной получения тяжелых травм.** Газон всегда следует тщательно осматривать и очищать от посторонних предметов перед каждой стрижкой.
- **Если газонокосилка ударилась о посторонний предмет, выполните следующие действия:**
 1. Выключите газонокосилку. Отпустите скобу управления.
 2. Извлеките аккумуляторные батареи и ключ безопасности.
 3. Осмотрите на предмет выявления повреждений.

4. Отремонтируйте все повреждения, прежде чем повторно включать и использовать газонокосилку.

- **Используйте только идентичные сменные ножи.**

СОХРАНИТЕ НАСТОЯЩИЕ ИНСТРУКЦИИ

Важно

Меры безопасности для газонокосилок, управляемых пешими людьми

Данный инструмент способен ампутировать руки и ноги и отбрасывать предметы. Несоблюдение правил и инструкций по технике безопасности может привести к тяжелым травмам или смерти.

Общая информация

1. Прочтите, поймите и соблюдайте инструкции и предупреждения, содержащиеся в данном руководстве, а также на инструменте, двигателе и дополнительных принадлежностях.
2. Допускайте только ответственных, обученных, знакомых с инструкциями и физически способных к управлению данным инструментом операторов.
3. Не работайте инструментом в состоянии алкогольного или наркотического опьянения.

Подготовка к эксплуатации

1. Очистите рабочую зону от любых предметов, которые могут быть отброшены или мешать работе инструмента.
2. Держите посторонних лиц, особенно маленьких детей и домашних животных подальше от рабочей зоны. Остановивайте инструмент и дополнительные принадлежности, если кто-либо войдет в зону.
3. Не работайте инструментом если травосборник, разгрузочный желоб или другие предохранительные устройства не установлены и не функционируют должным образом. Часто проверяйте наличие признаков износа или повреждения и при необходимости заменяйте.
4. Надевайте соответствующие средства индивидуальной защиты, такие как защитные очки, средства защиты органов слуха, респираторы и защитную обувь.

Эксплуатация

1. Используйте инструмент только при дневном или хорошем искусственном освещении.
2. Избегайте ям, рытвин, неровностей, камней и прочих скрытых опасностей. Неровная местность может перевернуть инструмент или привести к потере равновесия или устойчивости оператора. В высокой траве могут скрываться скрытые объекты. Стойте позади рукоятки.
3. Не помещайте руки и ноги вблизи вращающихся деталей или под инструмент. Следите, чтобы разгрузочное отверстие всегда оставалось чистым.

4. Не направляйте выбрасываемые материалы на людей. Не направляйте выбрасываемые материалы на стены и прочие предметы. Они могут отлететь обратно в оператора. Останавливайте нож (ножи), пересекая гравийные поверхности.
5. Не тяните газонокосилку назад, если этого можно избежать. Перед тем как переместиться назад, проверьте, нет ли сзади помех.
6. Перед тем как очищать газонокосилку, извлекать травосборник, очищать разгрузочное отверстие, отойти от газонокосилки, убрать ее на хранение, транспортировать газонокосилку или выполнить какие-либо регулировки, осмотр и ремонт, всегда отпускайте скобу управления, чтобы остановить двигатель, дождитесь полной остановки ножа и извлеките ключ безопасности и аккумуляторные батареи.
7. Если газонокосилка начинает нестандартно вибрировать, немедленно отпустите скобу управления, дождитесь полной остановки ножа и извлеките ключ безопасности и аккумуляторные батареи, после чего сразу же выявите причину неисправности. Обычно вибрация является признаком неисправности.

Специальные меры безопасности для детей

1. Если оператор не обращает внимания на присутствие детей, могут произойти трагические несчастные случаи. Детей часто привлекает инструмент и процесс стрижки. Никогда не предполагайте, что дети останутся там, где вы их видели в последний раз.
2. Не допускайте детей в рабочую зону под бдительным присмотром взрослых, кроме оператора.
3. Будьте бдительны и выключайте газонокосилку, если в рабочую зону войдет ребенок.

Специальные меры безопасности при работе на склонах

1. Склоны - главный фактор, связанный с несчастными случаями. Работа на склонах требует особой осторожности. Не стригите траву на склонах, если это неудобно.
2. Работайте вдоль поверхности уклона, а не вверх и вниз. Соблюдайте осторожность при работе возле обрывов, канав или насыпей.
3. Избегайте стричь мокрую траву. (Неустойчивое положение тела может привести к скольжению оператора и несчастному случаю.)
4. Не работайте инструментом ни при каких условиях, при которых возникает вопрос о сцеплении, управлении или устойчивости. Газонокосилка может скользить, даже если колеса остановлены.
5. Избегайте трогания с места и остановки на склонах. Избегайте резких изменений скорости или направления движения. Делайте повороты медленно и постепенно.
6. Будьте особенно осторожны при работе инструментом с травосборником или другим приспособлением (приспособлениями). Они могут повлиять на устойчивость инструмента.

Сервисное обслуживание

1. Содержите инструмент в хорошем рабочем состоянии. Заменяйте изношенные или поврежденные детали инструмента.
2. Соблюдайте осторожность при обслуживании ножей. Оборачивайте чем-нибудь нож (ножи) или надевайте перчатки. Заменяйте поврежденные ножи. Не ремонтируйте и не видоизменяйте нож (ножи). Следите, чтобы все гайки и болты были затянуты.
3. Не допускайте попадания на газонокосилку травы, листьев или другого мусора.
4. Сохраняйте или по мере необходимости заменяйте этикетки с инструкциями и предупреждениями.

Ниже приведены пояснения к изображениям важных угроз безопасности на газонокосилке.



Пользователь должен прочитать и понять руководство по эксплуатации.



Во избежание риска получения серьезных травм не косите на склонах вверх и вниз. Всегда косите вдоль поверхности склона.



Во избежание риска травм окружающих держите всех людей и домашних животных на безопасном расстоянии от газонокосилки во время работы.



Вращающиеся ножи могут стать причиной тяжелых травм. Всегда держите руки и ноги подальше от деки газонокосилки и разгрузочного отверстия. Всегда убеждайтесь, что нож остановился. Отпустите скобу управления, чтобы выключить газонокосилку, дождитесь, пока нож перестанет вращаться (примерно 3 секунды) и извлеките предохранительный ключ и аккумуляторные батареи перед снятием и заменой травосборника, чисткой, сервисным обслуживанием, транспортировкой или подъемом газонокосилки.



Предметы, отброшенные ножом газонокосилки, могут привести к тяжелым травмам. Во время работы электродвигателя вы должны находиться за рукояткой. Всегда следите за тем, чтобы люди и домашние животные не попадали в зону выброса газонокосилки во время работы. Всегда проверяйте зону кошения перед тем, как косить, и удаляйте предметы, которые могут быть отброшены ножом. Отпустите скобу управления, чтобы выключить газонокосилку, и дождитесь, пока нож перестанет вращаться (примерно 3 секунды), прежде чем переходить пешеходные дорожки, дороги, внутренние дворы и гравийные тропинки.

Дополнительные сведения по технике безопасности



ВНИМАНИЕ: Никогда не вносите изменения в конструкцию электроинструмента или какой-либо его части. Это может привести к повреждению или травме.



ВНИМАНИЕ: ВСЕГДА надевайте защитные очки. Обычные очки НЕ ЯВЛЯЮТСЯ защитными очками. Также используйте пылезащитную маску, если распиловка создает большое количество пыли. Если процесс кошения слишком шумный, надевайте защитные наушники. ВСЕГДА ИСПОЛЬЗУЙТЕ СРЕДСТВА ИНДИВИДУАЛЬНОЙ ЗАЩИТЫ УТВЕРЖДЕННОГО ТИПА.

Остаточные риски

Несмотря на соблюдение соответствующих инструкций по технике безопасности и использование предохранительных устройств, некоторые остаточные риски невозможно полностью исключить. А именно:

- Ухудшение слуха.
- Риск травм от разлетающихся частиц.
- Риск получения ожогов в результате нагревания инструмента в процессе работы.
- Риск получения травмы в результате продолжительной работы.

СОХРАНИТЕ НАСТОЯЩЕЕ РУКОВОДСТВО

Зарядные устройства

STANLEY Зарядные устройства FATMAX не требуют регулировки и максимально просты в использовании.

Электробезопасность

Электродвигатель рассчитан на работу только при одном напряжении сети. Необходимо обязательно убедиться в том, что напряжение источника питания соответствует указанному на паспортной табличке инструмента. Необходимо также убедиться в том, что напряжение работы зарядного устройства соответствует напряжению в сети.



Зарядное устройство STANLEY FATMAX оснащено двойной изоляцией в соответствии с требованиями EN60335; поэтому провод заземления не требуется.

Если поврежден кабель питания, его нужно заменить в STANLEY FATMAX или в авторизованном сервисном центре.

Замена штепсельной вилки (только для Великобритании и Ирландии)

Если необходимо установить новую штепсельную вилку:

- Осторожно снимите старую вилку.
- Подсоедините коричневый провод к терминалу фазы в вилке.
- Подсоедините синий провод к нулевому терминалу.



ВНИМАНИЕ: Заземление не требуется.

Соблюдайте инструкции по установке вилок высокого качества. Рекомендованный предохранитель: 3 А.

Использование удлинительного кабеля

Используйте удлинительный кабель только в случае крайней необходимости. Используйте только утвержденные удлинители промышленного производства, рассчитанные на мощность не меньшую, чем потребляемая мощность зарядного устройства (см. раздел «Технические характеристики»). Минимальное поперечное сечение провода электрического кабеля должно составлять 1 мм²; максимальная длина 30 м.

При использовании кабельного барабана всегда полностью разматывайте кабель.

Важные инструкции по технике безопасности для всех зарядных устройств

СОХРАНИТЕ НАСТОЯЩЕЕ РУКОВОДСТВО: В данном руководстве содержатся важные инструкции по технике безопасности для совместимых зарядных устройств (см. раздел «Технические характеристики»).

- Перед тем как использовать зарядное устройство, внимательно изучите все инструкции и предупреждающие этикетки на зарядном устройстве, батарее и инструменте, для которого используется батарея.



ВНИМАНИЕ: Опасность поражения электрическим током. Не допускайте попадания жидкости в зарядное устройство. Это может привести к поражению электрическим током.



ВНИМАНИЕ: Рекомендуется использовать устройство защитного отключения (УЗО) с током утечки до 30 мА.



ПРЕДУПРЕЖДЕНИЕ: Опасность ожога. Во избежание травм следует использовать только аккумуляторные батареи производства STANLEY FATMAX. Использование батарей другого типа может привести к взрыву, травмам и повреждениям.



ПРЕДУПРЕЖДЕНИЕ: Не позволяйте детям играть с данным инструментом.

ПРИМЕЧАНИЕ: В определенных условиях, при подключении зарядного устройства к источнику питания, может произойти короткое замыкание контактов внутри зарядного устройства посторонними материалами. Не допускайте попадания в полости зарядного устройства таких проводящих материалов, как стальная стружка, алюминиевая фольга или другие металлические частицы и т. п. Всегда отключайте зарядное устройство от источника питания, если в нем нет аккумуляторной батареи. Всегда отключайте зарядное устройство от сети перед тем, как приступить к очистке инструмента.

- **НЕ ПЫТАЙТЕСЬ заряжать батареи с помощью каких-либо других зарядных устройств, кроме тех, которые указаны в данном руководстве.** Зарядное устройство и батарея предназначены для совместного использования.
- **Эти зарядные устройства не предназначены ни для какого другого использования, помимо зарядки аккумуляторных батарей STANLEY FATMAX.** Использование любых других батарей может привести к возгоранию, поражению электротоком или гибели от электрического шока.
- **Не подвержайте зарядное устройство воздействию снега или дождя.**
- **При отключении зарядного устройства от сети всегда тяните за штепсельную вилку, а не за кабель.** Это поможет избежать повреждения штепсельной вилки и розетки.
- **Убедитесь в том, что кабель расположен таким образом, чтобы на него не наступили, не споткнулись об него, а также в том, что он не натянут и не может быть поврежден.**
- **Не используйте удлинительный кабель без крайней необходимости.** Использование удлинительного кабеля неподходящего типа может привести к пожару или поражению электрическим током.
- **Не ставьте на зарядное устройство никакие предметы и не устанавливайте зарядное устройство на мягкую поверхность, которая может закрыть вентиляционные отверстия и привести к перегреву.** Не располагайте зарядное устройство поблизости от источников тепла. Вентиляция зарядного устройства происходит с помощью отверстий в верхней и нижней частях корпуса.
- **Не используйте зарядное устройство при наличии поврежденной кабеля или штепсельной вилки** — их следует немедленно заменить.
- **Не используйте зарядное устройство, если его роняли, либо если оно подвергалось сильному ударам или было повреждено каким-либо иным образом.** Обратитесь в авторизованный сервисный центр.

- **Не разбирайте зарядное устройство. При необходимости обратитесь в специализированный сервисный центр, если нужно провести обслуживание или ремонт инструмента.** Неправильная сборка может стать причиной пожара или поражения электрическим током.
- В случае повреждения кабеля питания его необходимо немедленно заменить у производителя, в его сервисном центре или с привлечением другого специалиста аналогичной квалификации для предотвращения несчастного случая.
- **Перед чисткой отключите зарядное устройство от сети. В противном случае, это может привести к поражению электрическим током.** Извлечение аккумуляторной батареи не приведет к снижению степени этого риска.
- **НИКОГДА** не подключайте два зарядных устройства вместе.
- **Зарядное устройство предназначено для работы при стандартном напряжении сети в 230 В. Не пытайтесь использовать его при каком-либо ином напряжении.** Это не относится к автомобильному зарядному устройству.

Зарядка батарей (Рис. В)

1. Перед установкой батареи подключите зарядное устройство к соответствующей сетевой розетке.
2. Вставьте аккумуляторную батарею **21** в зарядное устройство, убедившись в том, что она хорошо установлена. Красный индикатор (зарядки) начнет мигать. Это означает, что процесс зарядки начался.
3. По окончании зарядки красный индикатор будет гореть непрерывно, не мигая. Теперь батарея полностью заряжена, и ее можно использовать или оставить в зарядном устройстве. Чтобы извлечь аккумуляторную батарею из зарядного устройства, нажмите кнопку фиксатора батареи **22** и извлеките батарею.

ПРИМЕЧАНИЕ: Чтобы обеспечить максимальную производительность и срок службы ионно-литиевых батарей, перед первым использованием полностью зарядите аккумуляторную батарею.

Работа с зарядным устройством

Состояние заряда аккумулятора смотрите в приведенной ниже таблице.

Индикаторы зарядки	
	Зарядка
	Полностью заряжен
	Температурная задержка*

*В это время красный индикатор продолжит мигать, а когда начнется зарядка, загорится желтый. После того, как батарея достигнет рабочей температуры, желтый индикатор погаснет, и зарядка продолжится.

Зарядное(-ые) устройство(-а) не сможет(-гут) зарядить неисправную аккумуляторную батарею. При неисправной аккумуляторной батарее, индикатор на зарядном устройстве не загорится.

ПРИМЕЧАНИЕ: Также это может указывать на проблему с зарядным устройством.

Если зарядное устройство указывает на наличие проблемы, проверьте аккумуляторную батарею и зарядное устройство в авторизованном сервисном центре.

Температурная задержка

Если температура батареи слишком низкая или слишком высокая, зарядное устройство автоматически переходит в режим температурной задержки; при этом зарядка не начинается до тех пор, пока батарея не достигнет нужной температуры. Как только нужная температура будет достигнута, устройство автоматически перейдет в режим зарядки. Данная функция обеспечивает максимальный срок эксплуатации батареи.

Зарядка холодной батареи занимает больше времени, чем теплой. Аккумуляторная батарея заряжается медленнее во время цикла зарядки и максимального заряда не удастся добиться даже после того, как аккумуляторная батарея будет теплой.

Система электронной защиты

Ионно-литиевые аккумуляторные батареи оснащены системой электронной защиты, которая защищает аккумуляторную батарею от перегрузки, перегрева или глубокой разрядки.

При срабатывании системы электронной защиты инструмент автоматически отключается. В этом случае поставьте ионно-литиевую батарею на зарядку до тех пор, пока она полностью не зарядится.

Аккумуляторные батареи

Важные инструкции по технике безопасности для всех батарей

При заказе запасных батарей не забудьте указать номер по каталогу и напряжение.

При покупке батарея заряжена не полностью. Перед тем, как использовать батарею и зарядное устройство, прочтите следующие инструкции по технике безопасности. Затем выполните необходимые действия для зарядки.

ПРОЧИТЕ ВСЕ ИНСТРУКЦИИ

- **Не заряжайте и не используйте батарею во взрывоопасной атмосфере, например, при наличии горючих жидкостей, газов или пыли.** Установка или извлечение батареи из зарядного устройства может привести к воспламенению пыли или газов.
- **Никогда не прилагайте больших усилий, вставляя батарею в зарядное устройство. Не вносите изменения в конструкцию батарей с целью установить их в зарядное устройство, к**

которому они не подходят. Это может привести к серьезным травмам.

- **Заряжайте батареи только с помощью зарядных устройств STANLEY FATMAX.**
- **НЕ БРЫЗГАЙТЕ** на них и не погружайте в воду или другие жидкости.
- **Не храните и не используйте данное устройство и аккумуляторную батарею при температуре ниже 4 °C (например, во внешних приборах или металлических постройках в зимнее время) или выше 40 °C (например, во внешних приборах или металлических постройках в летнее время).**
- **Не сжигайте батареи, даже поврежденные или полностью отработавшие.** При попадании в огонь батареи могут взорваться. При сжигании ионно-литиевых батарей образуются токсичные вещества и газы.
- **При попадании содержимого батареи на кожу, немедленно промойте это место водой с мылом.** При попадании содержимого батареи в глаза, необходимо промыть открытые глаза проточной водой в течение 15 минут или до тех пор, пока не пройдет раздражение. При необходимости обращения к врачу, может пригодиться следующая информация: электролит представляет собой смесь жидких органических углекислых и литиевых солей.
- **При вскрытии батареи, ее содержимое может вызвать раздражение дыхательных путей.** Обеспечьте наличие свежего воздуха. Если симптомы сохраняются, обратитесь к врачу.



ВНИМАНИЕ: Опасность ожога. Содержимое батареи может воспалиться при попадании искр или огня.



ВНИМАНИЕ: Ни в коем случае не разбирайте батарею. При наличии трещин или других повреждений батареи, не устанавливайте ее в зарядное устройство. Не роняйте батарею и не подвергайте ее ударам или другим повреждениям. Не используйте батарею или зарядное устройство после удара, падения или получения каких-либо других повреждений (например, после того, как ее проткнули гвоздем, ударили молотком или наступили на нее). Это может привести к удару или поражению электрическим током. Поврежденные батареи необходимо вернуть в сервисный центр для повторной переработки.



ВНИМАНИЕ: Риск воспламенения. Избегайте замыкания выводов батарей металлическими предметами во время хранения или переноски. Например, не кладите аккумуляторные батареи в передники, карманы, ящики для инструментов, выдвижные ящики и т. п. с гвоздями, гайками, ключами и т. п.



ПРЕДУПРЕЖДЕНИЕ: Когда инструмент не используется, кладите его на бок на устойчивую поверхность в том месте, где об

него нельзя споткнуться и упасть. Некоторые инструменты с аккумуляторными батареями больших размеров стоят на аккумуляторной батарее в вертикальном положении, но их легко опрокинуть.

Транспортировка



ВНИМАНИЕ: Риск воспламенения. При транспортировке аккумуляторных батарей может произойти возгорание, если терминалы аккумуляторных батарей случайно будут замкнуты электропроводящими материалами. При транспортировке аккумуляторных батарей убедитесь в том, что терминалы защищены и хорошо изолированы от материалов, контакт с которыми может привести к короткому замыканию. **ПРИМЕЧАНИЕ:** Ионно-литиевые аккумуляторные батареи запрещается сдавать в багаж.

STANLEY Батареи FATMAX соответствуют всем применимым правилам транспортировки, как предусмотрено промышленными и юридическими стандартам, включая рекомендации ООН по транспортировке опасных грузов; Ассоциация международных авиаперевозчиков (IATA) правила перевозки опасных грузов, Международные правила перевозки опасных грузов морским путем (IMDG), и европейское соглашение о международной дорожной перевозке опасных грузов (ADR). Ионно-литиевые элементы и аккумуляторные батареи были протестированы в соответствии с разделом 38.3 Рекомендаций ООН по транспортировке опасных грузов руководства по тестам и критериям.

В большинстве случаев, транспортировка аккумуляторных батарей не попадает под классификацию, поскольку они не являются опасными материалами Класса 9. В целом, полностью под правила Класса 9 подпадают только перевозки ионно- литиевых батарей с энергоемкостью выше 100 Ватт час (Вт ч). Энергоемкость всех ионно-литиевых аккумуляторных батарей указана на упаковке. Кроме того, из-за сложности регулирования, STANLEY FATMAX не рекомендует перевозку ионно-литиевых батарей по воздуху вне зависимости от их энергоемкости. Поставки инструментов с батареями (комбинированные наборы) могут перевозиться по воздуху согласно исключениям, если энергоемкость батареи не превышает 100 Вт ч.

Независимо от того, является ли перевозка исключением или выполняется по правилам, перевозчик должен уточнить последние требования к упаковке, маркировке и оформлению документации.

Информация, изложенная в данном руководстве обоснована и на момент создания данного документа может считаться точной. Но эта гарантия не является ни выраженной, ни подразумеваемой. Покупатель должен обеспечить то, что бы его деятельность соответствовала всем применимым законам.

Рекомендации по хранению

1. Лучшим местом для хранения является прохладное и сухое место, защищенное от прямых солнечных лучей, высокой или низкой температуры. Для оптимальной работы и продолжительного срока службы, храните неиспользуемые аккумуляторные батареи при комнатной температуре.
2. Для достижения максимальных результатов при продолжительном хранении рекомендуется полностью зарядить батарейный комплект и хранить его в прохладном сухом месте вне зарядного устройства.

ПРИМЕЧАНИЕ: Аккумуляторные батареи не должны храниться в полностью разряженном состоянии. Перед использованием аккумуляторная батарея требует повторной зарядки.

Маркировка на зарядном устройстве и аккумуляторной батарее

Помимо пиктограмм, используемых в данном руководстве, на зарядном устройстве и батарее имеются следующие обозначения:



Перед началом работы прочтите руководство по эксплуатации.



См. раздел «**Технические характеристики**», чтобы узнать время зарядки.



Не касайтесь токопроводящими предметами контактов батареи и зарядного устройства.



Не пытайтесь заряжать поврежденную батарею.



Не подвергайте электроинструмент или его элементы воздействию влаги.



Немедленно заменяйте поврежденный кабель питания



Зарядку осуществляйте только при температуре от 4 °C до 40 °C.



Для использования внутри помещений.



Утилизируйте отработанные батареи безопасным для окружающей среды способом.



Заряжайте аккумуляторные батареи STANLEY FATMAX только в специально для них разработанных зарядных устройствах STANLEY FATMAX. Зарядка иных аккумуляторных батарей,

кроме STANLEY FATMAX в зарядных устройствах STANLEY FATMAX может привести к возгоранию аккумуляторных батарей и возникновению других опасных ситуаций.



Не сжигайте аккумуляторную батарею.

Тип батареи

Модели, работающие от двух аккумуляторных батарей 18 В: SFMCMW2651

Могут использоваться следующие типы батарей: SFMCB202, SFMCB204, SFMCB206. Подробную информацию см. в разделе «Технические характеристики».

Комплектация поставки

В упаковку входят:

- 1 Колесная газонокосилка
- 1 Зарядное устройство
- 1 Травосборник
- 1 Боковое разгрузочное отверстие
- 1 Ключ безопасности
- 2 Ионно-литиевые аккумуляторные батареи (модели C2, D2, L2, M2, P2, S2, T2, X2, Y3)
- 1 Руководство по эксплуатации

ПРИМЕЧАНИЕ: Аккумуляторные батареи, зарядные устройства и инструментальные ящики не входят в комплект поставки для моделей N. Аккумуляторные батареи и зарядные устройства не входят в комплект поставки для моделей NT.

- Проверьте инструмент, детали и дополнительные принадлежности на наличие повреждений, которые могли произойти во время транспортировки.
- Перед эксплуатацией внимательно прочтите данное руководство.

Маркировка инструмента

На инструмент нанесены следующие обозначения:



Перед началом работы прочтите руководство по эксплуатации.



Используйте защитные наушники.



Используйте защитные очки.



Остерегайтесь летящих предметов. Не допускайте присутствия посторонних лиц в области кошения.



Гарантированная акустическая мощность по директиве 2000/14/EC.



Не оставляйте инструмент под дождем.



Резущие части продолжают вращаться после выключения устройства.

Местоположение кода даты (Рис. А)

Код даты **18**, который также включает год изготовления, напечатан на корпусе.

Пример:

2020 XX XX

Год и неделя изготовления

Описание (Рис. А)



ВНИМАНИЕ: Никогда не модифицируйте освещение рабочей зоны. Это может привести к повреждению или травме.

- 1 Блок выключателя
- 2 Кнопка включения/выключения
- 3 Ключ безопасности
- 4 Основная рукоятка (верхняя рукоятка)
- 5 Нижняя рукоятка
- 6 Скоба управления
- 7 Крышка батарейного отсека
- 8 Рычаг регулировки высоты кошения
- 9 Задняя дверца
- 10 Травосборник
- 11 Рукоятка травосборника
- 12 Нижняя ручка для переноски
- 13 Боковая заслонка
- 14 Боковой разгрузочный желоб
- 15 Рычаг регулировки высоты рукоятки
- 16 Рычаги блокировки верхней рукоятки
- 17 Фиксатор верхней рукоятки

Назначение

Данная колесная газонокосилка предназначена для профессионального кошения газонов.

НЕ ИСПОЛЬЗУЙТЕ в условиях повышенной влажности или поблизости от легковоспламеняющихся жидкостей или газов.

НЕ РАЗРЕШАЙТЕ детям прикасаться к инструменту. Использование инструмента неопытными пользователями должно происходить под контролем опытного лица.

- **Малолетние дети и люди с ограниченными физическими возможностями.** Этот инструмент не предназначен для использования малолетними детьми или людьми с ограниченными физическими возможностями кроме как под контролем лица, отвечающего за их безопасность.
- Данный инструмент не предназначен для использования лицами (включая детей) с ограниченными физическими, сенсорными или умственными способностями, а также лицами без достаточного опыта и знаний, если только они не делают этого под руководством лица имеющего соответствующий опыт и отвечающего

за их безопасность. Не позволяйте детям играть с инструментом.

СБОРКА И РЕГУЛИРОВКА

! **ОПАСНО:** Чтобы снизить риск получения серьезной травмы, выключайте инструмент и извлекайте ключ безопасности и аккумуляторные батареи прежде чем выполнять какую-либо регулировку либо удалять/устанавливать какие-либо насадки или дополнительные принадлежности. Случайный запуск может привести к травме.

Регулировка высоты рукоятки (Рис. А, С)

Газонокосилка поставляется в сложенном виде. Перед тем как начать работу, необходимо отрегулировать рукоятку и установить ее в рабочее положение.

1. Чтобы разблокировать нижнюю рукоятку **5** из положения хранения, отожмите два рычага регулировки высоты рукоятки **15**. Рычаги рычаг регулировки высоты рукоятки **15** расположены по обеим сторонам нижней рукоятки **5**.
2. Установите нижнюю рукоятку в рабочее положение. Следите за тем, чтобы не защемить и не повредить провод.
3. Закройте рычаги регулировки высоты рукоятки **15**, зафиксировав нижнюю рукоятку в нужном положении.

ПРИМЕЧАНИЕ: Если соединение между рукояткой и рычагом слишком тугое или слабое, отожмите рычаг и отрегулируйте глубину рычага, поворачивая по или против часовой стрелки. Закройте его снова, пока все рычаги не останутся надежно закрытыми, а рукоятка надежно закреплена и не будет двигаться.

Установка верхней рукоятки (Рис. А, D)

1. Совместите отверстия в нижней части верхней рукоятки **4** с отверстиями в верхней части нижней рукоятки **5**. Следите за тем, чтобы не защемить и не повредить провод.

ПРИМЕЧАНИЕ: Убедитесь в том, что провод лежит поверх обеих ручек. В противном случае он может запутаться и помешать хранению косилки.

2. С внешней стороны верхней рукоятки **4**, вставьте два рычага блокировки рукоятки **16** в два отверстия в рукоятке. Повторите с другой стороны.
3. С внутренней стороны верхней рукоятки некрепко затяните фиксатор **17** на каждом из рычагов блокировки **16**.
4. Поверните верхнюю рукоятку **4** в рабочее положение. Следите за тем, чтобы не защемить и не повредить провод.
5. Закройте рычаги блокировки рукоятки **16**, зафиксировав верхнюю рукоятку в нужном положении.

ПРИМЕЧАНИЕ: Если соединение между рукояткой и рычагом слишком тугое или слабое, отожмите рычаг и отрегулируйте глубину рычага, поворачивая по или против часовой стрелки. Закройте его снова, пока все

рычаги не останутся надежно закрытыми, а рукоятка надежно закреплена и не будет двигаться.

Травосборник (Рис. Е)

! **ОПАСНО:** Выключите инструмент и извлеките ключ безопасности и аккумуляторную батарею.

1. Поднимите заднюю дверцу **9** и поместите травосборник **10** в газонокосилку, чтобы язычки **19** вошли в прорези **20** на внутренних пластиковых поверхностях кронштейнов рукоятки, как показано на Рис. Е. Опустите заднюю дверцу.
2. Если уже установлен, извлеките боковой разгрузочный желоб **14** и убедитесь, что заслонка **13** полностью опущена.

Боковая разгрузка (Рис. А, F)

! **ОПАСНО:** Выключите инструмент и извлеките ключ безопасности и аккумуляторную батарею.

1. Для использования газонокосилки в режиме боковой разгрузки, извлеките травосборник **10**.
2. Убедитесь, что задняя дверца **9** закрыта.
3. Поднимите боковую заслонку **13** и закрепите боковой разгрузочный желоб **14** на газонокосилке.
4. Отпустите боковую заслонку и убедитесь, что боковой разгрузочный желоб **14** держится на месте, прежде чем включать газонокосилку.

ПРИМЕЧАНИЕ: Задняя дверца **9** имеет такую форму, что проем (внизу) не будет закрываться полностью.

Мульчирование (Рис. А, Е, F)

! **ОПАСНО:** Выключите инструмент и извлеките ключ безопасности и аккумуляторную батарею.

1. Для использования газонокосилки в режиме мульчирования, извлеките травосборник **10**.
2. Убедитесь, что задняя дверца **9** закрыта.
3. Если уже установлен, извлеките боковой разгрузочный желоб **14** и убедитесь, что заслонка **13** полностью опущена.

Регулировка высоты газонокосилки (Рис. G, H)

! **ВНИМАНИЕ:** Никогда не пытайтесь отрегулировать высоту газонокосилки при включенном двигателе.

Высота кошения настраивается с помощью рычага регулировки высоты кошения **8**.

ПРИМЕЧАНИЕ: Если вы не уверены, какую высоту выбрать, начните скашивать траву, установив рычаги регулировки высоты кошения **8** в заднее положение и регулируйте высоту по мере необходимости.


Установка высоты скашивания


1. Извлеките рычаг регулировки высоты кошения **8** из фиксирующей канавки **23**.
2. Переместите рычаг в сторону задней части инструмента для увеличения высоты скашивания.

3. Переместите рычаг в сторону передней части инструмента для уменьшения высоты скашивания.
4. Вставьте рычаг регулировки высоты кошения **8** в одну из регулировочных канавок **23**, чтобы установить высоту.
5. Повторите с другим рычагом регулировки высоты кошения **8**.

ЭКСПЛУАТАЦИЯ


Инструкции по эксплуатации


 **ВНИМАНИЕ:** Всегда соблюдайте правила техники безопасности и применимые законы.

 **ВНИМАНИЕ:** Чтобы снизить риск получения серьезной травмы, необходимо выключить инструмент и отсоединить батарею, прежде чем выполнять какую-либо регулировку либо удалять/устанавливать какие-либо насадки или дополнительные принадлежности.

Случайный запуск может привести к травме.

Правильное положение рук (Рис. К)


 **ВНИМАНИЕ:** Во избежание риска получения серьезных травм, **ВСЕГДА** используйте правильное положение рук как показано на рисунке.


 **ВНИМАНИЕ:** Во избежание риска получения серьезных травм **ВСЕГДА** крепко держите инструмент, предупреждая внезапную резкую отдачу.


При правильном расположении рук обе руки находятся на основной рукоятке **4** и на скобе управления **6**.


ПЕРЕД ЭКСПЛУАТАЦИЕЙ ГАЗОКОСИЛКИ ПРОЧИТЕ РУКОВОДСТВО ПО ЭКСПЛУАТАЦИИ

См. полный перечень составляющих на Рисунке А в начале данного руководства. Сохраните настоящее руководство для использования в будущем.


 **ОПАСНО: Острые движущиеся ножи.**
Запрещается эксплуатировать газонокосилку в режиме мульчирования, если задняя дверца и дверца боковой разгрузки не зафиксированы натяжением пружины — это может привести к тяжелым травмам. Для ремонта газонокосилки обратитесь в ближайший сервисный центр.

 **ОПАСНО:** Запрещается использовать газонокосилку, если рукоятка не зафиксирована на месте.

 **ОПАСНО: Острый движущийся нож.** Никогда не эксплуатируйте газонокосилку в режиме сбора в травосборник, если крюки травосборника не зацеплены за газонокосилку, а задняя крышка неплотно прилегает к верхней части травосборника, поскольку это может привести к серьезным травмам.

 **ВНИМАНИЕ:** Газонокосилка должна работать в обычном режиме. Не подвергайте инструмент повышенным нагрузкам.

Установка и извлечение аккумуляторных батарей (Рис. I)

 **ОПАСНО: ПЕРЕД ТЕМ КАК ИЗВЛЕЧЬ ИЛИ УСТАНОВИТЬ АККУМУЛЯТОРНЫЕ БАТАРЕИ, ИЗВЛЕКИТЕ КЛЮЧ БЕЗОПАСНОСТИ, ЧТОБЫ ПРЕДОТВРАТИТЬ НЕПРЕДНАМЕРЕННЫЙ ЗАПУСК ИНСТРУМЕНТА.**

Данная газонокосилка работает от двух аккумуляторных батарей одинаковой емкости. Газонокосилка не может функционировать от одной аккумуляторной батареи, а в случае использования аккумуляторных батарей разной емкости газонокосилка остановится при разрядке батареи с меньшей емкости.

ПРИМЕЧАНИЕ: Для получения наилучших результатов перед использованием батарей убедитесь в том, что они полностью заряжены.

Установка аккумуляторных батарей

1. Поднимите и удерживайте крышку батарейного отсека **7**, чтобы получить доступ к батарейному отсеку **24**.
2. Вдвигайте батарею **21** в батарейный отсек **24**, пока не послышится щелчок (Рис. I). Повторите действия для второй аккумуляторной батареи.


ПРИМЕЧАНИЕ: Перед эксплуатацией газонокосилки убедитесь, что батареи надежно установлены и закреплены на месте.

3. Закройте крышку батарейного отсека. Перед тем как запустить газонокосилку, убедитесь, что крышка надежно закрыта.


Извлечение аккумуляторных батарей

1. Поднимите и удерживайте крышку батарейного отсека **7**, чтобы получить доступ к батарейному отсеку **24**.
2. Нажмите на отпирающую кнопку **22** на батарее **21** и извлеките батарею из инструмента.

Ключ безопасности (Рис. J)

 **ОПАСНО: Острый движущийся нож.** В целях предотвращения непреднамеренного запуска, а также несанкционированной эксплуатации вашей аккумуляторной газонокосилки, в конструкции газонокосилки встроены съемный ключ безопасности (3). Без ключа безопасности газонокосилка будет полностью отключена.

ПРИМЕЧАНИЕ: На ключе безопасности имеется шнурок, позволяющий подвесить ключ на гвоздь вне досягаемости детей. Не привязывайте ключ безопасности к газонокосилке.

 **ОПАСНО: Вращающиеся ножи могут стать причиной тяжелых травм.** Для предотвращения травм выключайте инструмент и извлекайте ключ и аккумуляторные батареи из газонокосилки, когда она остается без внимания, во время зарядки,

чистки, обслуживания, транспортировки, поднятия или хранения.

Запуск газонокосилки (Рис. I–K)



ОПАСНО: Острый движущийся нож. Никогда не пытайтесь блокировать работу блока выключателя и системы предохранительных ключей, поскольку это может привести к серьезной травме.

ПРИМЕЧАНИЕ: Газонокосилка работает только при установленных аккумуляторных батареях и ключе безопасности.

1. Поднимите и удерживайте крышку батарейного отсека **7**, чтобы получить доступ к батарейному отсеку **24**.
2. Вдвигайте батарею **21** в батарейный отсек **24**, пока не послышится щелчок. Повторите действия для второй аккумуляторной батареи.

ПРИМЕЧАНИЕ: Перед эксплуатацией газонокосилки убедитесь, что батареи надежно установлены и закреплены на месте.

3. Закройте крышку батарейного отсека. Перед тем как запустить газонокосилку, убедитесь, что крышка надежно закрыта.
4. Вставьте ключ безопасности **3** в БЛОК выключателя **1**, пока он полностью не войдет внутрь корпуса. Теперь газонокосилка готова к эксплуатации.
5. Ваша колесная газонокосилка оборудована специальным БЛОКОМ выключателя **1**. Чтобы включить газонокосилку, нажмите и удерживайте КНОПКУ включения/выключения **2** на БЛОКЕ выключателя **1**, затем притяните скобу управления **6** к основной рукоятке **4**.

ПРИМЕЧАНИЕ: Как только газонокосилка заведется, вы можете отпустить КНОПКУ включения/выключения, продолжая прижимать скобу управления к основной рукоятке, чтобы газонокосилка работала.

6. Чтобы остановить ГАЗОНОКОСИЛКУ, отпустите скобу управления (6).



ВНИМАНИЕ: Ни в коем случае не фиксируйте скобу управления в положении включения.

ПРИМЕЧАНИЕ: При возвращении скобы управления в исходное положение включится механизм автоматического останова. Электродвигатель остановится, а нож прекратит свое вращение в течение трех секунд или менее. Если нож продолжает вращаться более трех секунд, прекратите использование газонокосилки и отнесите ее в ремонт.

Перегрузка газонокосилки

В целях предотвращения перегрузок не пытайтесь косить слишком большое количество травы сразу. Замедлите скорость или увеличьте высоту скашивания.

Советы по кошению (Рис. А)



ВНИМАНИЕ: ВСЕГДА ПРОВЕРЯЙТЕ И ОЧИЩАЙТЕ ЗОНУ ЭКСПЛУАТАЦИИ ГАЗОНОКОСИЛКИ ОТ ПОСТОРОННИХ ПРЕДМЕТОВ, ТАКИХ КАК КАМНИ, ПАЛКИ, ПРОВОДА, КОСТИ И Т. Д., КОТОРЫЕ МОГУТ БЫТЬ ОТБРОШЕНЫ ВРАЩАЮЩИМСЯ НОЖОМ.



ВНИМАНИЕ: Работайте вдоль поверхности уклона, а не вверх и вниз. Соблюдайте особую осторожность, изменяя направление движения на склоне. Не работайте на чрезмерно крутых склонах (более 15 °). Сохраняйте устойчивость.

- Отпускайте скобу управления для выключения газонокосилки, пересекая участки с гравием (камешки могут быть отброшены ножом газонокосилки).
- Скашивая траву на неровной поверхности или скашивая высокую траву, установите газонокосилку в режим самого высокого скашивания. Скашивание слишком большого количества травы за раз может привести к перегрузке и остановке электродвигателя.
- В случае использования травосборника **10** в сезон быстрого роста травы, разгрузочное отверстие может засориться травой. Отпустите скобу управления для выключения газонокосилки, извлеките ключ безопасности и аккумуляторные батареи. Снимите травосборник и встряхните или постучите по мешку, чтобы переместить траву в его заднюю часть. Также удалите траву и загрязнения, перекрывающие выпускное отверстие. Установите травосборник обратно на свое место.
- В случае обнаружения нестандартной вибрации газонокосилки немедленно отпустите скобу управления, выключите косилку, извлеките ключ безопасности и аккумуляторные батареи. Выявите причину неисправности. Вибрация является признаком неисправности. Не эксплуатируйте газонокосилку до тех пор, пока она не пройдет техническое обслуживание.
- Для достижения наилучших результатов скашивания поддерживайте нож острым и сбалансированным.
- Осматривайте и тщательно очищайте газонокосилку после каждого применения, так как накопившаяся скошенная трава приведет к ухудшению производительности.
- Всегда отпускайте скобу управления, чтобы выключить газонокосилку, извлекайте ключ безопасности и аккумуляторные батареи, когда оставляете газонокосилку без присмотра даже на короткий промежуток времени.

Следующие рекомендации позволяют вам обеспечить максимальный срок эксплуатации аккумуляторной газонокосилки:

- В местах, где трава слишком высокая или густая, замедлите ход газонокосилки.
- Не косите влажную от росы или мокрую после дождя траву.

- Скашивайте траву часто, особенно в сезон быстрого роста.

ПРИМЕЧАНИЕ: В целях увеличения срока службы аккумуляторных батарей их рекомендуется заряжать сразу после эксплуатации. Частая зарядка аккумуляторных батарей не повредит им, а вы будете знать, что аккумуляторная батарея заряжена для следующего использования. Хранение не полностью заряженной аккумуляторной батареи приведет к сокращению срока ее службы.

Переноска газонокосилки (Рис. А)

! **ОПАСНО:** Вращающиеся ножи могут стать причиной тяжелых травм. Для предотвращения травм извлекайте ключ и аккумуляторные батареи из газонокосилки, когда она остается без присмотра, во время зарядки, чистки, обслуживания, транспортировки, поднятия или хранения.

Газонокосилку можно переносить за удобную ручку для переноски **12**. ЗАПРЕЩАЕТСЯ поднимать газонокосилку за основную рукоятку **4**.

Хранение (Рис. С, D)

! **ОПАСНО:** Вращающиеся ножи могут стать причиной тяжелых травм. Перед тем как поднять, переместить или оставить газонокосилку на хранение, необходимо отпустить скобу управления для отключения газонокосилки, извлечь ключ безопасности и аккумуляторные батареи. Храните в сухом месте.

! **ПРЕДУПРЕЖДЕНИЕ:** Зона заземления. Складывая рукоятку, не кладите пальцы рядом с кронштейнами рукоятки, чтобы избежать заземления.

Для обеспечения удобства хранения газонокосилки ее ручки с легкостью складываются.

1. Отожмите рычаги блокировки рукоятки **16**, удерживая верхнюю рукоятку.
2. Поверните верхнюю рукоятку в сторону передней части газонокосилки.
3. Отожмите рычаги регулировки высоты рукоятки **15**.
4. Поверните нижнюю рукоятку в положение для хранения.
5. Закройте рычаги регулировки высоты рукоятки **15**, зафиксировав нижнюю рукоятку в положении для хранения.

ТЕХНИЧЕСКОЕ ОБСЛУЖИВАНИЕ

Электроинструмент имеет длительный срок эксплуатации и требует минимальных затрат на техобслуживание. Для длительной безотказной работы необходимо обеспечить правильный уход за инструментом и его регулярную чистку.

! **ВНИМАНИЕ:** Чтобы снизить риск получения серьезной травмы, необходимо выключить инструмент и отсоединить батарею, прежде чем выполнять какую-либо регулировку либо удалять/устанавливать какие-либо насадки

или дополнительные принадлежности.

Случайный запуск может привести к травме.

Зарядное устройство и аккумуляторные батареи не подлежат ремонту.

Снятие и установка ножа (Рис. L)

! **ОПАСНО: РИСК ТРАВМ.** ПРИ РАЗБОРКЕ И ПОСЛЕДУЮЩЕЙ СБОРКЕ УЗЛА НОЖА УБЕДИТЕСЬ, ЧТО ВСЕ ДЕТАЛИ УСТАНОВЛЕНЫ ПРАВИЛЬНО, КАК ОПИСАНО НИЖЕ. НЕПРАВИЛЬНАЯ УСТАНОВКА НОЖА И ДРУГИХ СОСТАВЛЯЮЩИХ МОЖЕТ ПРИВЕСТИ К ТЯЖЕЛЫМ ТРАВМАМ.

! **ОПАСНО:** Чтобы снизить риск получения серьезной травмы, необходимо выключить инструмент, извлечь ключ безопасности и отсоединить батареи, прежде чем выполнять какую-либо регулировку либо удалять/устанавливать какие-либо дополнительные приспособления. Случайный запуск может привести к травме.

ПРИМЕЧАНИЕ: Используйте только одобренные STANLEY FATMAX ножи и дополнительные принадлежности. Используйте сменный нож STANLEY FATMAX Модель № DWO1DT233.

1. Используйте деревянный брусок 2" x 4" **25** (длиной 610 мм), чтобы подпереть нож, препятствуя его вращению при откручивании фланцевой гайки **27**.

! **ВНИМАНИЕ:** Используйте защитные перчатки и очки. Положите газонокосилку набок. Будьте осторожны, не порежьтесь об острые края ножа.

2. Расположите брусок и открутите фланцевую гайку, вращая ее против часовой стрелки 18 мм гаечным ключом **26**, как показано на Рис. L.
3. Удалите квадратную металлическую шайбу ножа **30**, квадратную пластиковую изоляционную прокладку **28** и сам нож **29**, как показано на Рис. L. Вентилятор ножа **31** не должен извлекаться. Проверьте все составляющие на предмет повреждений и, в случае необходимости, замените их.
4. Установите заточенный или новый нож на ступицу вентилятора, как показано на Рис. L

ПРИМЕЧАНИЕ: При установке заточенного или нового ножа на ступицу вентилятора убедитесь, что надпись на ноже «GRASS SIDE» (сторона, обращенная на траву) направлена в сторону земли, когда газонокосилка вернется в рабочее вертикальное положение.

5. Установите на нож пластиковую квадратную изоляционную прокладку **28** таким образом, чтобы выступы на краях детали совместились с краями ножа.
6. Установите шайбу ножа **30** таким образом, чтобы она находилась внутри выступов с другой стороны пластиковой изоляционной прокладки. Следите за тем, чтобы плоские поверхности отверстия шайбы ножа были совмещены с плоскими поверхностями вала, и обеспечивали вращение ножа и прокладки необходимым для работы образом.

7. Поместите брусок, чтобы предотвратить поворот ножа, как показано на Рис. L. Установите фланцевую гайку **27** фланцем на шайбу ножа **30** и надежно затяните нож **29** гаечным ключом 18 мм **26**.



Смазка

Вашему инструменту не требуется дополнительная смазка.

Затачивание ножа

ДЛЯ ОБЕСПЕЧЕНИЯ ОПТИМАЛЬНОЙ РАБОТЫ КОСИЛКИ ПОДДЕРЖИВАЙТЕ НОЖИ ОСТРЫМИ. ЗАТУПЛЕННЫЙ НОЖ НЕ КАШИВАЕТ ТРАВУ РОВНО.



ВНИМАНИЕ: Снимая, затачивая и устанавливая нож, используйте защитные перчатки и средства защиты глаз. Убедитесь, что ключ безопасности и аккумуляторные батареи извлечены.

В нормальных условиях эксплуатации достаточно затачивать нож не более двух раз за один сезон. Песок приводит к ускоренному затуплению ножа. Если на вашем газоне присутствует песок, может понадобиться более частое затачивание ножа. **НЕМЕДЛЕННО ЗАМЕНЯЙТЕ ПОГНУТЫЕ И ПОВРЕЖДЕННЫЕ НОЖИ.**

При затачивании ножа:

- Сохраняйте балансировку ножа.
- Поддерживайте исходный угол режущей кромки.
- Затачивайте режущие кромки с обеих сторон ножа, стараясь удалить одинаковое количество материала.

Затачивание ножа в тисках (Рис. M)

1. Перед тем как извлечь нож, убедитесь, что скоба управления отпущена, нож остановлен, ключ безопасности и аккумуляторные батареи извлечены.
2. Извлеките нож из газонокосилки. См. инструкции в разделе «Снятие и установка ножа».
3. Зажмите нож **29** в тисках **32**.
4. Наденьте подходящие средства защиты глаз и перчатки и соблюдайте осторожность, чтобы не порезаться.
5. Аккуратно стачивайте режущие кромки ножа мелкозернистым напильником **34** (не входит в комплект поставки) или точильным камнем (не входит в комплект поставки), сохраняя первичный угол режущей кромки.
6. Проверьте балансировку ножа. См. раздел «Балансировка ножа».
7. Установите нож на газонокосилку и надежно затяните болт.

Балансировка ножа (Рис. N)

Для проверки балансировки ножа **29** установите центральное отверстие ножа на гвоздь или круглую отвертку **33**, горизонтально зажатую в тиски **32**. Если какая-либо сторона ножа опускается вниз, сточите небольшое количество материала с режущей кромки на этой стороне. При правильной балансировке нож выравнивается.



Чистка



ВНИМАНИЕ: Выдувайте грязь и пыль из корпуса сухим сжатым воздухом по мере видимого скопления грязи внутри и вокруг вентиляционных отверстий. Надевайте защитные очки и пылезащитную маску при выполнении этих работ.



ВНИМАНИЕ: Никогда не пользуйтесь растворителями или другими сильнейдействующими химическими веществами для чистки неметаллических частей прибора. Эти химикаты могут повредить структуру материала, используемого для производства таких деталей. Используйте ткань, смоченную в мягком мыльном растворе. Не допускайте попадания жидкости внутрь инструмента; никогда не погружайте никакие из деталей инструмента в жидкость.

Отпустите скобу управления **6** для отключения газонокосилки, дождитесь остановки ножа и извлеките аккумуляторные батареи и ключ безопасности. Удалите остатки травы, которые могут собраться в нижней части корпуса. Не разбрызгивайте воду или другие жидкости. После нескольких применений проверьте надежность фиксации элементов крепления.

Дополнительные принадлежности



ВНИМАНИЕ: В связи с тем, что дополнительные принадлежности других производителей, кроме STANLEY FATMAX, не проходили проверку на совместимость с данным изделием, их использование может представлять опасность. Во избежание травм, с данным инструментом следует использовать только дополнительные принадлежности, рекомендованные STANLEY FATMAX.

Проконсультируйтесь со своим продавцом для получения дополнительной информации.

Защита окружающей среды



Отдельная утилизация. Изделия и аккумуляторные батареи с данным символом на маркировке запрещается утилизировать с обычными бытовыми отходами.

Изделия и аккумуляторные батареи содержат материалы, которые могут быть извлечены или переработаны, снижая потребность в исходном сырье. Пожалуйста, утилизируйте электрические изделия и аккумуляторные батареи в соответствии с местными нормами. Дополнительная информация доступна по адресу www.2helpU.com.

Перезаряжаемая аккумуляторная батарея

Данную аккумуляторную батарею с длительным сроком эксплуатации необходимо перезаряжать, когда она перестает обеспечивать питание, необходимое для выполнения определенных работ. По окончании срока эксплуатации ее следует утилизировать, соблюдая при этом необходимые меры по защите окружающей среды:

- Полностью разрядите батарею до конца и извлеките ее из инструмента.
- Ионно-литиевые аккумуляторные батареи подлежат вторичной переработке. Сдайте их нашему дилеру или в местный центр вторичной переработки. В этих пунктах батареи будут подвергнуты повторной переработке или правильной утилизации.

Дополнительная информация:

Дату изготовления (код даты) указан на корпусе инструмента. Код даты, который так же включает год изготовления, отштампован на поверхности корпуса изделия. Пример: 2021 46 XX, где 2021 – год изготовления, 46-неделя изготовления, XX – код завода изготовителя.

ТОВАР СЕРТИФИЦИРОВАН. Орган по сертификации "РОСТЕСТ- Москва", Адрес: 119049, г. Москва, улица Житная, д. 14, стр. 1; 117418, Москва, Нахимовский просп., 31 (факт.). Тел.: (499) 1292311, (495) 6682893, E-mail: office@rostest.ru

Изготовитель: Изготовитель: Блэк энд Деккер Холдингс ГмбХ, Германия, 65510, Идштайн, ул. Блэк энд Деккер, 40, тел. +496126212790.

Уполномоченное изготовителем юрлицо: ООО "Стэнли Блэк энд Деккер", 117485, город Москва, улица Обручева, дом 30/1, строение 2, Телефон: + 7 (495) 258-3981, факс: + 7 (495) 258-3984, E-mail: inbox@dewalt.com. Сведения о импортере указаны в сопроводительной документации и/или на упаковке.



Приложение к руководству по эксплуатации электрооборудования для определения месяца производства по номеру текущей календарной недели года

Электрооборудование торговых марок "Dewall", "Stanley", "Stanley FatMAX", "BLACK+DECKER".

Директивы 2014/30/EU ЕВРОПЕЙСКОГО ПАРЛАМЕНТА И СОВЕТА от 26 февраля 2014 г. "О гармонизации законодательств Государств-членов ЕС в области электромагнитной совместимости", 2006/42/ЕС ЕВРОПЕЙСКОГО ПАРЛАМЕНТА И СОВЕТА от 17 мая 2006 г. "О машинах и оборудовании"; 2014/35/EU ЕВРОПЕЙСКОГО ПАРЛАМЕНТА И СОВЕТА от 26 февраля 2014 г. "О гармонизации законодательств государств-членов в области размещения на рынке электрооборудования, предназначенного для использования в определенных пределах напряжения". Серийный выпуск.

ТОВАР СЕРТИФИЦИРОВАН

Орган по сертификации "РОСТЕСТ- Москва", Адрес: 119049, г. Москва, улица Житная, д. 14, стр. 1; 117418, Москва, Нахимовский просп., 31 (фактический), Телефон: (499) 1292311, (495) 6682893, Факс: (495) 6682893, E-mail: office@rostest.ru

Изготовитель: Изготовитель: Блэк энд Деккер Холдингс ГмбХ, Германия, 65510, Идштатт, ул. Блэк энд Деккер, 40, тел. +496126212790.

Уполномоченное изготовителем юр.лицо:

ООО "Стэнли Блэк энд Деккер", 117485, город Москва, улица Обручева, дом 30/1, строение 2
Телефон: + 7 (495) 258-3981, факс: + 7 (495) 258-3984, E-mail: inbox@dewall.com

Сведения о импортере указаны в сопроводительной документации и/или на упаковке

Хранение.

Необходимо хранить в сухом месте, вдали от источников повышенных температур и воздействия солнечных лучей. При хранении необходимо избегать резкого перепада температур. Хранение без упаковки не допускается

Срок службы.

Срок службы изделия составляет 5 лет. Не рекомендуется к эксплуатации по истечении 5 лет хранения с даты изготовления без предварительной проверки.

Дата изготовления (код даты) указана на корпусе инструмента. Код даты, который также включает год изготовления, отштампован на поверхности корпуса изделия.

Пример:

2014 46 XX, где 2014 –год изготовления, 46–неделя изготовления.

Определить месяц изготовления по указанной неделе изготовления можно согласно приведенной ниже таблице.

Транспортировка.

Категорически не допускается падение и любые механические воздействия на упаковку при транспортировке.

При разгрузке/погрузке не допускается использование любого вида техники, работающей по принципу зажима упаковки.

Перечень критических отказов, возможные ошибочные действия персонала.

Не допускается эксплуатация изделия:

- При появлении дыма из корпуса изделия
- При поврежденном и/ или оголенном сетевом кабеле
- при повреждении корпуса изделия, защитного кожуха, рукоятки
- при попадании жидкости в корпус
- при возникновении сильной вибрации
- при возникновении сильного искрения внутри корпуса

Критерии предельных состояний.

- При поврежденном и/или оголенном сетевом кабеле
- при повреждении корпуса изделия

Месяц	Январь	Февраль	Март	Апрель	Май	Июнь	Июль	Август	Сентябрь	Октябрь	Ноябрь	Декабрь	Год производства
Неделя	1	5	9	14	18	23	27	31	36	40	44	49	2018
	2	6	10	15	19	24	28	32	37	41	45	50	
	3	7	11	16	20	25	29	33	38	42	46	51	
	4	8	12	17	21	26	30	34	39	43	47	52	
			13		22			35				48	
Неделя	1	6	10	14	18	23	27	31	36	40	45	49	2019
	2	7	11	15	19	24	28	32	37	41	46	50	
	3	8	12	16	20	25	29	33	38	42	47	51	
	4	9	13	17	21	26	30	34	39	43	48	52	
	5					22			35		44		
Неделя	1	6	10	14	19	23	27	32	36	40	45	49	2020
	2	7	11	15	20	24	28	33	37	41	46	50	
	3	8	12	16	21	25	29	34	38	42	47	51	
	4	9	13	17	22	26	30	35	39	43	48	52	
	5				18			31		40			
Неделя	2	6	10	14	19	23	27	32	36	41	45	49	2021
	3	7	11	15	20	24	28	33	37	42	46	50	
	4	8	12	16	21	25	29	34	38	43	47	51	
	5	9	13	17	22	26	30	35	39	44	48	52	
					18			31		40			
Неделя	2	6	10	15	19	23	28	32	36	41	45	49	2022
	3	7	11	16	20	24	29	33	37	42	46	50	
	4	8	12	17	21	25	30	34	38	43	47	51	
	5	9	13	18	22	26	31	35	39	44	48	52	
				14			27			40			

STANLEY
FATMAX

ГАРАНТИЙНЫЙ ТАЛОН

3 ГОДА
ГАРАНТИИ

1. Поздравляем Вас с покупкой высококачественного изделия STANLEY FatMAX и выражаем признательность за Ваш выбор.
2. При покупке изделия требуйте проверки его комплектности и исправности в Вашем присутствии, инструкцию по эксплуатации и заполненный Гарантийный талон на русском языке. В гарантийном талоне должны быть внесены: модель, дата продажи, серийный номер, дата производства инструмента; название, печать и подпись торговой организации. При отсутствии у Вас правильно заполненного Гарантийного талона, а также несоответствия указанных в нем данных, мы будем вынуждены отклонить Ваши претензии по качеству данного изделия.
3. Во избежание недоразумений, убедительно просим Вас перед началом работы с изделием внимательно ознакомиться с инструкцией по его эксплуатации. Правовой основой настоящих гарантийных условий является действующее Законодательство. Гарантийный срок на данное изделие составляет 36 месяцев и исчисляется со дня продажи. В случае устранения недостатков изделия, гарантийный срок продлевается на период его нахождения в ремонте. Срок службы изделия составляет 5 лет со дня продажи.
4. В случае возникновения каких-либо проблем в процессе эксплуатации изделия рекомендуем Вам обращаться только в уполномоченные сервисные центры STANLEY FatMAX, адреса и телефоны которых Вы сможете найти на сайте www.2helpU.com или узнать в магазине. Наши сервисные станции - это не только квалифицированный ремонт, но и широкий ассортимент запчастей и принадлежностей.
5. Производитель рекомендует проводить периодическую проверку и техническое обслуживание изделия в уполномоченных сервисных центрах.
6. Наши гарантийные обязательства распространяются только на неисправности, выявленные в течение гарантийного срока и вызванные дефектами производства и / или материалов.
7. Гарантийные условия не распространяются на неисправности изделия, возникшие в результате:
 - 7.1. Несоблюдения пользователем предписаний инструкции по эксплуатации изделия, применения изделия не по назначению, неправильного хранения, использования принадлежностей, расходных материалов и запчастей, не предусмотренных производителем.
 - 7.2. Механического повреждения (сколы, трещины и разрушения) внутренних и внешних деталей изделия, основных и вспомогательных рукояток, сетевого электрического кабеля, вызванного внешним ударным или любым иным воздействием.
 - 7.3. Попадания в вентиляционные отверстия и проникновение внутрь изделия посторонних предметов, материалов или веществ, не являющихся отходами, сопровождающими применение изделия по назначению, такими как: стружка, опилки, песок, и пр.
 - 7.4. Воздействия на изделие неблагоприятных атмосферных и иных внешних факторов, таких как дождь, снег, повышенная влажность, нагрев, агрессивные среды, несоответствие параметров питающей электросети, указанных на инструменте.
 - 7.5. Стихийного бедствия. Повреждение или утрата изделия, связанное с непредвиденными бедствиями, стихийными явлениями, в том числе вследствие действия непреодолимой силы (пожар, молния, потоп и другие природные явления), а также вследствие перепадов напряжения в электросети и других причин, которые находятся вне контроля производителя.
8. Гарантийные условия не распространяются:
 - 8.1. На инструменты, подвергавшиеся вскрытию, ремонту или модификации вне уполномоченного сервисного центра.
 - 8.2. На детали и узлы, имеющие следы естественного износа, такие как: приводные ремни и колеса, угольные щетки, смазка, подшипники, зубчатое зацепление редукторов, резиновые уплотнения, сальники, направляющие ролики, муфты сцепления, бойки, толкатели, стволы, и т.п.
 - 8.3. На сменные и расходные части: цапги, зажимные гайки и фланцы, фильтры, ножи, шлифовальные подошвы, цепи, звездочки, пыльные шины, защитные кожухи, пилки, абразивы, пыльные и абразивные диски, фрезы, сверла, буры и т.п.
 - 8.4. На неисправности, возникшие в результате перегрузки инструмента (как механической, так и электрической), повлекшей выход из строя одновременно двух и более деталей и узлов, таких как ротора и статора, обеих обмоток статора, ведомой и ведущей шестерни редуктора или других узлов и деталей. К безусловным признакам перегрузки изделия относятся, помимо прочего: появление цветов побелости, деформация или оплавление деталей и узлов изделия, потемнение или обугливание изоляции проводов электродвигателя под воздействием высокой температуры.

Товар получен в исправном состоянии, без видимых повреждений, в полной комплектации, проверен в моем присутствии, претензий по качеству товара не имею. С условиями гарантийного обслуживания ознакомлен и согласен.

Ф. И. О. и подпись покупателя _____

Уважаемые клиенты, наша сеть авторизованных сервисных центров постоянно расширяется. Актуальную информацию об обслуживании в интересующем вас городе вы можете узнать на сайте

www.2helpU.com

Информация об инструменте

Наименование инструмента	
Модель	
Наименование продавца	
Дата продажи	

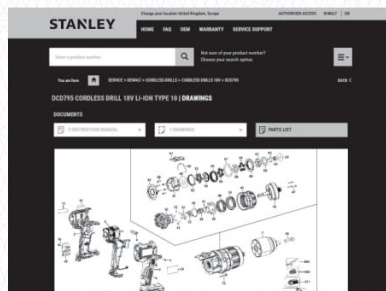
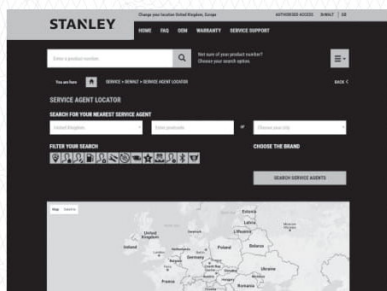
М.П.
Продавца

Серийный номер / Дата производства

Инструмент	
Зарядное устройство	
Аккумулятор 1	
Аккумулятор 2	

На сайте www.2helpU.com доступны следующие функции:

- Список авторизованных сервисных центров
- Удобный поиск ближайшего сервисного центра
- Руководство по эксплуатации
- Технические характеристики
- Список деталей и запасных частей
- Схема сборки инструмента



Также данную информацию вы можете получить, позвонив по телефону:
8(800) 1000 876

ОТМЕТКА О ПРОВЕДЕНИИ СЕРВИСНОГО ОБСЛУЖИВАНИЯ

№1	№2	№3	№4
№ заказа	№ заказа	№ заказа	№ заказа
Дата поступления	Дата поступления	Дата поступления	Дата поступления
Дата ремонта	Дата ремонта	Дата ремонта	Дата ремонта
Печать и подпись сервисного центра	Печать и подпись сервисного центра	Печать и подпись сервисного центра	Печать и подпись сервисного центра

ГАЗОНОКОСАРКА

SFMCMW2651

Вітаємо вас!

Ви обрали інструмент виробництва компанії STANLEY FATMAX. Великий досвід компанії у розробці інструментів та постійна робота над їхнім удосконаленням роблять компанію STANLEY FATMAX надійним партнером користувачів інструментів.

SFMCMW2651		
Напруга	В пост. струму	2 x 18
Тип акумулятора		Літій-іонна
Швидкість без навантаження	об/хв	2600
Довжина леза	см	49,5
Маса (без акумулятора)	кг	14

Значення рівня шуму та вібрації (векторна сума трьох векторів) відповідно до стандарту EN60335-2-77

L_{pa} (рівень тиску звукового випромінювання)	дБ(A)	74,0
K (похибка рівня звукового тиску)	дБ(A)	0,9
L_{WA} (рівень звукової потужності)	дБ(A)	87
K (похибка для даного рівня звукового тиску)	дБ(A)	0,8

Зважене значення вібрації, що передається на руки:

Значення вібрації a_h =	m/s^2	2,5
Похибка K =	m/s^2	1,5

Значення вібрації та/або шуму, наведене в цьому документі, було виміряне згідно зі стандартизованим тестом, викладеним в стандарті EN60335-2-69, та може використовуватись для порівняння інструментів. Це значення вібрації можна також використовувати для попередньої оцінки впливу вібрації.



УВАГА! Заявлене значення вібрації та/або шуму відповідає вимогам цільового використання інструмента. Однак якщо інструмент використовується для виконання інших завдань, або з іншими витратними матеріалами/насадками, або не обслуговується належним чином, значення вібрації та/або шуму може відхилитися. Це може значно збільшити рівень впливу протягом усього періоду роботи.

Оцінка рівня впливу вібрації та/або шуму має враховувати час, протягом якого інструмент є вимкненим, а також час, протягом якого він є ввімкненим, але не використовується. Це може значно зменшити рівень впливу протягом усього періоду роботи.

Визначення додаткових заходів безпеки для захисту оператора від впливу вібрації та/або шуму: технічне обслуговування інструмента та приладдя, утримання рук у теплі (має значення для вібрації), організація режиму роботи.

Декларація про відповідність ЄС

Директива для механічного обладнання



Газонокосарка SFMCMW2651

STANLEY Компанія FATMAX заявляє, що вироб, описаний у розділі **Технічні дані**, відповідають стандартам: 2006/42/EC, EN60335-1:2012 + A11:2014 + A13:2017 + A1:2019 + A14:2019 + A2:2019, EN60335-2-77:2010.

Ці продукти також відповідають вимогам Директив 2014/30/EU та 2011/65/EU. Для отримання додаткової інформації, будь ласка, зверніться до компанії STANLEY FATMAX за адресою, вказаною нижче, або прочитайте інформацію на зворотній стороні цього посібника.

Нижчепідписаний несе відповідальність за упорядкування файлу технічних характеристик та робить цю заяву від імені STANLEY FATMAX.

2000/14/EC, газонокосарка, $L < 50$ см, Додаток VI, DEKRA Certification B.V., Meander 1051 / P.O. 5185

6825 MJ ARNHEM / 6802 ED ARNHEM, Нідерланди

Ідентифікаційний № уповноваженого органу: 0344

Рівень акустичної потужності відповідно до 2000/14/EC (Стаття 12, Додаток III, $L < 50$ см):

L_{WA} (виміряна акустична потужність) 87,0 дБ(A)
похибка (K) = 0,8 дБ(A)

L_{WA} (гарантована акустична потужність) 88 дБ(A)

Patrick Diepenbach

Патрік Діпенбах (Patrick Diepenbach)

Генеральний директор, Benelux

STANLEY FATMAX Europe, Egide Walschaertsstraat14-18,
2800 Mechelen, Бельгія

01.12.2020



УВАГА! Уважно прочитайте керівництво з експлуатації для зниження ризику отримання травм.

Позначення: Інструкції з техніки безпеки

Умовні позначення, наведені нижче, описують рівень важливості кожної попереджувальної вказівки. Прочитайте керівництво та зверніть увагу на символи, наведені нижче.



НЕБЕЗПЕЧНО! Вказує на безпосередню загрозу, ігнорування якої призведе до смерті або серйозної травми.

Батареї		Зарядні пристрої/часзарядки (ухвилинах)
Кат. №	В _{вх}	SFMCB12
SFMCB202	18	X
SFMCB204	18	X
SFMCB206	18	X



УВАГА! Вказує на потенційну загрозу, яка, якщо її не уникнути, **може призвести до смерті або серйозної травми.**



ОБЕРЕЖНО! Вказує на потенційну загрозу, яка, якщо її не уникнути, **може призвести до травми незначної або середньої важкості.**

ПРИМІТКА. Вказує на ситуацію, **не пов'язану з особою травмою**, ігнорування цієї ситуації **може призвести до пошкодження майна.**



Вказує на ризик ураження електричним струмом.



Вказує на ризик виникнення пожежі.

ЗАГАЛЬНІ ПРАВИЛА БЕЗПЕКИ ПРИ ЕКСПЛУАТАЦІЇ ЕЛЕКТРИЧНОГО ІНСТРУМЕНТА



УВАГА! Ознайомтеся з усіма попередженнями, інструкціями з техніки безпеки, зображеннями та специфікаціями, які поставляються з цим електричним інструментом. Невиконання наведених нижче інструкцій може призвести до ураження електричним струмом, пожежі та/або серйозних травм.

ЗБЕРІГАЙТЕ ВСІ ПОПЕРЕДЖЕННЯ ТА ІНСТРУКЦІЇ ДЛЯ ПОДАЛЬШОГО ВИКОРИСТАННЯ

Термін «електричний інструмент» в усіх попередженнях стосується використовуваних вами інструментів, що живляться від мережі енергопостачання (з електричним кабелем) або від акумуляторів (без кабелю).

1) Безпека робочої зони

- Робоча зона завжди має бути чистою та добре освітленою.** Захаращена або темна робоча зона призводить до нещасних випадків.
- Не використовуйте електричні інструменти у вибухонебезпечній атмосфері, наприклад поруч із вогнебезпечними рідинами, газами та пилом.** Електричні інструменти створюють іскри, що можуть запалити пил або пару.
- Тримайте дітей та сторонніх подалі під час використання інструмента.** Відвернення уваги може призвести до втрати контролю.

2) Електрична безпека

- Вилка електричного інструмента повинна відповідати розетці. Ніколи жодним чином не змінюйте вилку. Не використовуйте адаптери з заземленими електричними інструментами.** Немодифіковані вилки та розетки, що підходять

до них, зменшують ризик ураження електричним струмом.

- Уникайте контакту тіла з заземленими поверхнями, такими як труби, радіатори, плити та холодильники.** Якщо ваше тіло заземлене, збільшується ризик ураження електричним струмом.
- Не залишайте електричні інструменти під дощем або в умовах підвищеної вологості.** Вода, що потрапляє в електричний інструмент, підвищує ризик ураження електричним струмом.
- Не використовуйте кабель живлення не за призначенням. Ніколи не переносіть, не тягніть та не відключайте електричний інструмент від розетки електроживлення за допомогою шнура. Тримайте шнур подалі від високих температур, мастила, гострих предметів та рухомих деталей.** Пошкоджені або перекручені шнури підвищують ризик ураження електричним струмом.
- При використанні електричного інструмента на вулиці, використовуйте подовжувальний шнур, що підходить для використання на вулиці.** Використання шнура, що призначений для використання поза приміщенням, знижує ризик ураження електричним струмом.
- Якщо неможливо уникнути використання електричного інструмента в умовах підвищеної вологості, використовуйте живлення, захищене пристроєм залишкового струму (RCD).** Використання RCD знижує ризик ураження електричним струмом.

3) Особиста безпека

- Будьте в стані готовності, дивіться, що ви робите, та будьте розсудливі, працюючи з електричним інструментом. Не використовуйте електричний інструмент, коли ви втомлені або знаходитесь під впливом наркотичних речовин, алкоголю або ліків.** Втрата уваги під час роботи з електричним інструментами може призвести до серйозних травм.
- Використовуйте особисті засоби безпеки. Завжди використовуйте засоби захисту очей.** Засоби безпеки, такі як протипилова маска, нековзкі безпечні черевки, захисний шолом та засоби захисту слухового апарату при використанні для відповідних умов зменшують імовірність особистих травм.

- c) **Уникайте випадкового запуску. Переконайтесь в тому, що перемикач знаходиться в позиції Вимк., перш ніж підключати інструмент до джерела електроживлення та/або акумулятора, переміщувати або переносити.** Може статися нещасний випадок, коли ви переносите інструмент, тримаючи палець на вимикачі, або підключаєте живлення до вимикача в позиції Увімк.
- d) **Зніміть усі ключі для регулювання або гайкові ключі, перш ніж вмикати електричний інструмент.** Гайковий ключ, що залишився прикріпленим до якоїсь деталі електричного пристрою, що обертається, може призвести до травм.
- e) **Не прикладайте надмірних зусиль. Завжди утримуйте правильну постановку ніг і рівновагу.** Це дає вам змогу краще контролювати інструмент в неочікуваних ситуаціях.
- f) **Одягайтеся відповідним чином. Не вдягайте вільний одяг або прикраси. Тримайте ваше волосся та одяг подалі від рухомих деталей.** Вільний одяг, прикраси або довге волосся можуть зачепитися за рухомі деталі.
- g) **Якщо передбачені пристрої для підключення до засобів виділення та збирання пилу, переконайтесь, що вони правильно підключені та використовуються.** Використання таких пристроїв зменшує ризик виникнення небезпечних ситуацій, що пов'язані з потраплянням пилу.
- h) **Навіть якщо ви добре знаєте інструмент та часто його використовуйте, не розслабляйтесь та не забувайте про принципи техніки безпеки.** Необережні дії можуть за долю секунди призвести до важких тілесних ушкоджень.

4) Використання електричного інструмента та догляд за ним

- a) **Не прикладайте надмірних зусиль під час роботи з інструментом. Використовуйте електричний інструмент, який відповідає завданню, що виконується.** Правильно обраний інструмент виконає завдання краще та безпечніше за умов, для яких він був розроблений.
- b) **Не використовуйте інструмент, якщо його неможливо ввімкнути та вимкнути за допомогою вимикача.** Будь-який електричний інструмент, яким неможливо керувати за допомогою вимикача, є небезпечним і має бути відремонтований.
- c) **Якщо вилка знімна, відключіть її від джерела живлення та/або вийміть акумулятор, перш ніж виконувати будь-які налаштування, змінювати додаткове обладнання або зберігати інструмент.** Ці профілактичні заходи зменшують ризик випадкового запуску електричного інструмента.

- d) **Зберігайте вимкнені електричні інструменти в недоступному для дітей місці та не дозволяйте особам, що не знайомі з електричним інструментом або цими інструкціями, використовувати електричний інструмент.** Електричні інструменти є небезпечними, якщо вони використовуються некваліфікованими користувачами.
- e) **Технічне обслуговування електричних інструментів та аксесуарів. Перевіряйте на відсутність вирівнювання або заїдання рухомих деталей, ушкоджених частин та інших умов, що можуть впливати на роботу електричного інструмента. Якщо є пошкодження, відремонтуйте електричний інструмент перед використанням.** Нещасні випадки часто є результатом того, що інструмент не пройшов відповідного технічного обслуговування.
- f) **Різальні інструменти мають бути гострими та чистими.** Правильно доглянуті різальні інструменти з гострими різальними кромками мають меншу імовірність заїдання, і ними легше керувати.
- g) **Використовуйте електричний інструмент, додаткові інструменти та деталі інструменту тощо у відповідності до цих інструкцій та відповідно до даного типу електричних інструментів, зважаючи на умови використання та роботу, яка має бути виконана.** Використання електричних інструментів не за призначенням може призвести до виникнення небезпечних ситуацій.
- h) **Всі ручки та поверхні для тримання інструмента мають бути сухими, без залишків мастила.** Слизькі ручки та поверхні для тримання не дозволяють безпечно працювати та контролювати інструмент у неочікуваних ситуаціях.

5) Використання та догляд за інструментом, що живиться від акумулятора

- a) **Заряджайте інструмент лише за допомогою зарядного пристрою, вказаного виробником.** Зарядний пристрій, що підходить до одного типу акумуляторів, може призвести до пожежі в разі використання з іншим акумулятором.
- b) **Використовуйте електричні інструменти лише з призначеними для них акумуляторами.** Використання інших акумуляторів може призвести до травм або пожежі.
- c) **Коли акумулятори не використовуються, зберігайте їх подалі від металевих предметів, як скріпки, монети, ключі, цвяхи, гвинти або інші невеликі предмети, що можуть призвести до замикання двох контактів.** Коротке замикання клем акумулятора може призвести до вибуху або пожежі.
- d) **За невідповідних умов використання рідина може витікти з акумулятора; уникайте**

контакту з цією рідиною. Якщо контакт таки стався, промийте забруднену ділянку водою. Якщо рідина потрапила в очі, промийте водою та зверніться до лікаря. Рідина, що витікає з акумулятора, може призвести до подразнень та опіків.

- e) **Не використовуйте пошкоджений або модифікований акумулятор або інструмент.** Пошкоджені або модифіковані акумулятори можуть поводити себе непередбачуваним чином, призводячи до пожежі, вибуху або тілесним ушкодженням.
- f) **Не піддавайте акумулятор та інструмент дії вогню та надмірних температур.** Дія вогню або температури вище 130 °C може спричинити вибух.
- g) Виконуйте всі інструкції щодо зарядки; **заряджайте акумулятор та інструмент тільки в межах температурного діапазону, вказаного в інструкціях.** Неналежна зарядка або зарядка поза межами вказаного температурного діапазону може пошкодити акумулятор та підвищити ризик пожежі.

6) Обслуговування

- a) **Надавайте ваш електричний інструмент для обслуговування кваліфікованим спеціалістом з ремонту та використовуйте тільки ідентичні замінні деталі.** Це забезпечить безпеку електричного пристрою, що обслуговується.
- b) **Ніколи не обслуговуйте пошкоджені акумулятори самостійно.** Обслуговування акумуляторів мають виконувати представники виробника або працівники офіційного сервісного центру.

ВАЖЛИВІ ПОПЕРЕДЖЕННЯ ТА ІНСТРУКЦІЇ З ТЕХНІКИ БЕЗПЕКИ



УВАГА! Щоб зменшити ризик отримання травми:

- Перед використанням даного інструмента переконайтесь, що його користувач прочитав і зрозумів всі інструкції з техніки безпеки, а також іншу інформацію, що міститься у цьому посібнику.
- Зберігайте ці інструкції і регулярно переглядайте їх перед використанням і навчанням інших осіб.



УВАГА! При використанні акумуляторних газонокосарок необхідно дотримуватись основних заходів безпеки, включаючи наступні, щоб знизити ризик виникнення пожежі, ураження електричним струмом, травм та матеріальних ушкоджень:

ПРОЧИТАЙТЕ ВСІ ІНСТРУКЦІЇ

ЗАГАЛЬНІ ПОПЕРЕДЖЕННЯ ТА ІНСТРУКЦІЇ З ТЕХНІКИ БЕЗПЕКИ ДЛЯ ВСІХ ГАЗОКОСАРОК



НЕБЕЗПЕЧНО!

- **Цей інструмент може бути небезпечним.** Дотримуйтесь усіх попереджень та інструкцій з техніки безпеки цього посібника. Оператор несе відповідальність за дотримання попереджень та інструкцій, наведених в цьому посібнику та на пристрої. До роботи з даною газонокосаркою допускаються лише особи, що прочитали, зрозуміли і дотримуються усіх попереджень та інструкцій, наведених в цьому посібнику та на пристрої.
- **Уникайте небезпечних умов навколишнього середовища.** Не використовуйте газонокосарки у сухих або вологих місцях.
- **Не використовуйте під дощем.**
- **Тримайте дітей подалі.** Усіх відвідувачів слід тримати на безпечній відстані від робочої зони.
- **Одягайтеся належним чином.** Не вдягайте вільний одяг або прикраси. Вони можуть потрапити у рухомі частини. При роботі на свіжому повітрі рекомендується вдягати гумові рукавички та взуття.
- **Використовуйте захисні окуляри.** Завжди вдягайте маску для обличчя або респіратор при роботі в умовах пилу.
- **Використовуйте правильний прилад.** Не використовуйте газонокосарку для будь-якої роботи, крім тієї, для якої вона призначена.
- **Перевірте наявність пошкоджених деталей.** Перед подальшим використанням газонокосарки слід ретельно перевірити захисний кожух та частину, що пошкоджена, щоб впевнитись у її належній роботі та виконанні призначеної функції. Перевірте взаємне положення та зачеплення рухомих деталей, відсутність зламаних деталей, правильність збірки та інші умови, що можуть перешкодити правильній роботі інструменту. Відремонтуйте або замініть пошкоджені деталі або захисне приладдя в офіційному сервісному центрі, якщо інше не вказане в цьому керівництві.
- **Ремонт та обслуговування.** Ремонт, технічне обслуговування та будь-які налаштування, які не вказані в цьому посібнику, повинні виконуватись в авторизованих сервісних центрах або інших кваліфікованих сервісних організаціях, завжди з використанням ідентичних запасних частин.
- **Не застосовуйте силу до газонокосарки.** Вона виконає завдання краще та безпечніше за умов, для яких була розроблена.
- **Не прикладайте надмірного зусилля.** Завжди утримуйте правильну постановку ніг і рівновагу.
- **Будьте уважні.** Стежте за тим, що робите. Користуйтесь здоровим глуздом. Не використовуйте газонокосарку, коли ви втомлені.
- **Вимикайте газонокосарку.** Виймайте захисний ключ і акумуляторні батареї з газонокосарки, коли вона не використовується, перед техобслуговуванням, при заміні насадок, наприклад, лез і т.п.
- **Зберігайте газонокосарку, що не використовується, у приміщенні.** Якщо

газонокосарка не використовується, її слід зберігати в приміщенні в сухому, високому або замкненому місці, недоступному для дітей. Витягніть захисний ключ та акумуляторні батареї.

- **Будьте обережні при обслуговуванні газонокосарки.** Тримайте ріжучі кромки гострими і чистими для найкращої і безпечної роботи. Дотримуйтесь інструкцій щодо змащування та заміни витратних матеріалів. Всі ручки інструменту повинні бути сухими, чистими та без залишків мастила.
- **Тримайте кожухи на місці та в справному стані.**
- **Леза повинні бути гострими.**
- **Утримуйте руки та ноги подалі від зони різання.**
- **Об'єкти, які потрапляють в леза газонокосарки, можуть завдати серйозних травм людям.** Перед кожною стрижкою газон слід ретельно оглядати і очищати від всіх предметів.
- **Якщо газонокосарка врізається в сторонній предмет, виконайте наступні дії:**
 1. Зупиніть газонокосарку. Відпустіть ручку-дужку.
 2. Виймайте акумуляторні батареї та захисний ключ.
 3. Огляньте на наявність пошкоджень.
 4. Перед повторним запуском і експлуатацією газонокосарки усуньте всі пошкодження.
- **Використовуйте тільки ідентичні змінні леза.**

ЗБЕРІГАЙТЕ ЦІ ІНСТРУКЦІЇ

Важливо!

Безпечні методи роботи для косарок з пішохідним керуванням

Цей пристрій здатний ампутувати руки та ноги та кидати предмети. Недотримання наступних інструкцій з техніки безпеки може призвести до серйозних травм або смерті.

Загальна інформація

1. Прочитайте, зрозумійте та дотримуйтесь інструкцій та попереджень, зазначених у цьому посібнику, а також на пристрої, двигуні та приладді.
2. До роботи з пристроєм допускаються лише відповідальні особи, які навчені, знайомі з інструкціями і фізично здатні працювати з ним.
3. Не використовуйте пристрій під впливом алкоголю чи наркотиків.

Підготовка перед експлуатацією

1. Очистіть робочу зону від будь-яких предметів, які можуть бути кинуті пристроєм або заважати його роботі.
2. Не допускайте в зону роботи сторонніх осіб, особливо маленьких дітей і тварин. Зупиняйте пристрій і приладдя, якщо хто-небудь входить в зону.
3. Не використовуйте пристрій без травозбірника, вихідного жолоба або інших запобіжних пристроїв, які встановлені і функціонують належним чином. Регулярно

перевіряйте наявність ознак зносу або псування і при необхідності замінійте.

4. Носіть відповідні засоби індивідуального захисту, такі як захисні окуляри, засоби захисту органів слуху і органів дихання та взуття.

Експлуатація

1. Експлуатуйте цей пристрій лише вдень або за умови хорошого штучного освітлення.
2. Уникайте ям, колій, горбиків, каменів та інших прихованих небезпек. Нерівна місцевість може перекинути пристрій або спричинити втрату рівноваги або опору оператора. Висока трава може ховати перешкоди. Залишайтеся за рукою.
3. Не ставте руки або ноги поблизу рухомих деталей або під пристрій. У жодному разі не знаходьтеся навпроти отвору для вивантаження.
4. Не спрямовуйте матеріал, що вивантажується, в бік інших людей. Уникайте вивантаження матеріалу в напрямку близько розташованої стіни або іншої перешкоди. Матеріал, що вивантажується, може відскочити та потрапити в оператора. Зупиніть лезо(а) при перетині зрівняних поверхонь.
5. Не тягніть газонокосарку назад за винятком випадків, коли це абсолютно необхідно. Завжди дивіться вниз та назад, перед та під час пересування назад.
6. Завжди відпускайте ручку-дужку, щоб зупинити двигун, та чекайте повної зупинки лез, а також витягайте захисний ключ та акумуляторні батареї перед очищенням газонокосарки, знімаючи травозбірник та витягаючи захисний пристрій викидання зібраної трави, коли необхідно залишити газонокосарку, при зберіганні газонокосарки або перед виконанням будь-яких налаштувань, ремонту або огляду.
7. Газонокосарка починає занадто сильно вібрувати, відпустіть ручку-дужку, зачекайте, щоб лезо зупинилося, та витягніть захисний ключ і акумуляторні батареї, а потім відразу спробуйте знайти причину вібрації. Вібрація, як правило, є попередженням про проблему.

Специфіка роботи для дітей

1. Якщо оператор не звертає уваги на присутність дітей, можуть статися трагічні події. Дітей часто приваблює газонокосарка та косіння. Ніколи не припускайте, що діти залишаються там, де ви бачили їх в останній раз.
2. Діти повинні перебувати поза робочої зони і під наглядом відповідального дорослого, який не є оператором.
3. Будьте уважні та вимкніть газонокосарку, якщо дитина заходить у зону.

Специфіка роботи зі схилами

1. Схили є основним фактором, пов'язаним з нещасними випадками. Експлуатація на схилах вимагає особливої обережності. Не косіть на схилі, якщо це незручно.

2. Рухайтесь вздовж схилу; але за жодних обставин не вгору або вниз. Будьте обережні, працюючи поблизу крутих схилів, канав чи набережних.
3. Уникайте скошування вологої трави. (Неправильне положення ніг може стати причиною ковзання та падіння.)
4. Не експлуатуйте пристрій за будь-яких умов, які можуть вплинути на зчеплення, керування або стійкість. Газонокосарка може ковзати, навіть якщо колеса зупинилися.
5. Уникайте запуску і зупинки на схилах. Уникайте різких змін швидкості або напрямку руху. Робіть повороти повільно і поступово.
6. Будьте особливо обережні, працюючи з пристроєм з травозбірником або іншим приладдям. Вони можуть впливати на стійкість машини.

Обслуговування

1. Підтримуйте машину в хорошому робочому стані. Замінійте зношені або пошкоджені деталі.
2. Будьте обережні при обслуговуванні лез. Огортайте лезо(а) або вдягайте рукавички. Замінійте пошкоджені леза. Не ремонтуйте та не змінюйте лезо(а). Міцно затягуйте всі гайки і болти.
3. Не допускайте накопичення трави, листя або іншого сміття.
4. За необхідності зберігайте або замініуйте ярлики з техніки безпеки та інструкцій.

Нижче наведено пояснення до важливих піктограм з техніки безпеки на косарці.



Користувач повинен прочитати та зрозуміти керівництво з експлуатації.



Щоб уникнути ризику серйозних травм, не косіть на схилах вгору та вниз. Завжди косіть поперек схилів.



Щоб уникнути ризику травмування сторонніх осіб необхідно тримати всіх людей і тварин на безпечній відстані від газонокосарки під час роботи.



Леза, що обертаються, можуть спричинити серйозні травми. Завжди тримайте руки та ноги подалі від деки газонокосарки та отвору для вивантаження. Завжди перевіряйте, що лезо зупинилося. Відпустіть ручку-дужку для вимкнення газонокосарки і почекайте, поки лезо перестане обертатися (приблизно 3 секунди), і вийміть захисний ключ і акумуляторні батареї, перш ніж знімати і замінювати травозбірник, очищати, обслуговувати, транспортувати або піднімати газонокосарку.



Об'єкти, які потрапляють в леза газонокосарки, можуть спричинити серйозні травми. Знаходьтеся за ручкою, коли двигун працює. Завжди стежте за тим, щоб люди і тварини не перебували в зоні вивантаження газонокосарки під час роботи. Завжди оглядайте ділянку косіння перед косінням та видаляйте предмети, які може кинути лезо. Відпустіть ручку-дужку для вимкнення газонокосарки і почекайте, поки лезо перестане обертатися (приблизно 3 секунди), перш ніж перетинати пішохідні зони, дороги, тераси і гравійні доріжки.

Додаткові інструкції з техніки безпеки



УВАГА! Ніколи не модифікуйте електричні інструменти або їх деталі. Це може призвести до пошкодження майна або тілесних ушкоджень.



УВАГА! ЗАВЖДИ використовуйте захисні окуляри. Окуляри для повсякденного використання НЕ є захисними окулярами. Якщо під час операції різання виникає пил, також використовуйте захисну протипилову маску для обличчя. При гучній роботі використовуйте засоби захисту слухового апарату. **ЗАВЖДИ ВИКОРИСТОВУЙТЕ ЛИШЕ СЕРТИФІКОВАНІ ЗАСОБИ ІНДИВІДУАЛЬНОГО ЗАХИСТУ.**

Залишкові ризики

Дотримання всіх правил техніки безпеки та застосування пристроїв безпеки не гарантує уникнення певних залишкових ризиків. До такого переліку належать:

- Порушення слуху.
- Ризик тілесних ушкоджень через частинки, які розлітаються.
- Ризик опіків через нагрівання приладдя під час роботи.
- Ризик тілесних ушкоджень через занадто тривале використання.

ЗБЕРІГАЙТЕ ЦІ ІНСТРУКЦІЇ

Зарядні пристрої

STANLEY Зарядні пристрої FATMAX не вимагають налаштувань і розроблені для максимально простого використання.

Електрична безпека

Електричний двигун розроблений для роботи лише з одним значенням напруги. Завжди перевіряйте напругу акумулятора на відповідність напрузі, що зазначена на табличці технічних даних. Також переконайтесь, що напруга зарядного пристрою відповідає напрузі мережі живлення.



Ваш зарядний пристрій виробництва компанії STANLEY FATMAX має подвійну ізоляцію відповідно до EN60335, тому заземлення не є необхідним.

Якщо кабель живлення пошкоджений, його заміну може проводити тільки компанія STANLEY FATMAX або авторизований сервісний центр.

Заміна мережевої вилки (тільки для Великої Британії та Ірландії)

Якщо потрібно встановити нову вилку, виконайте кілька дій.

- Зніміть стару вилку та утилізуйте її, дотримуючись правил техніки безпеки.
- Приєднайте коричневий провідник до активного виходу вилки.
- Приєднайте блакитний провідник до нейтрального виходу.



УВАГА! Жоден провідник не має бути підключений до клемаи заземлення.

Дотримуйтесь інструкцій щодо встановлення, які постачаються з якісними вилками. Плавкий запобіжник, що рекомендується: 3 А.

Використання електричного подовжувача

Використовуйте подовжувальний шнур лише за абсолютної необхідності. Використовуйте лише рекомендований подовжувальний шнур, що відповідає споживаній потужності вашого зарядного пристрою (див. **Технічні характеристики**). Мінімальний переріз проводу становить 1 мм²; максимальна довжина – 30 м.

При використанні кабельного барабану завжди витягуйте весь кабель.

Важливі інструкції з техніки безпеки для всіх зарядних пристроїв

ЗБЕРІГАЙТЕ ЦІ ІНСТРУКЦІЇ. У цьому керівництві містяться важливі інструкції з техніки безпеки та використання для сумісних зарядних пристроїв (див. **Технічні дані**).

- Перед використанням зарядного пристрою прочитайте всі інструкції та попередження на зарядному пристрої, акумуляторах та продукті, для якого ці акумулятори використовуються.



УВАГА! Небезпека ураження електричним струмом. Не допускайте потрапляння рідини в зарядний пристрій. Це може призвести до ураження електричним струмом.



УВАГА! Ми рекомендуємо використовувати захисний пристрій відключення з номінальним значенням диференційного струму 30 мА або менше.



ОБЕРЕЖНО! Ризик отримання опіку. Для зниження ризику виникнення травм заряджайте лише акумулятори STANLEY FATMAX. Інші типи акумуляторів можуть вибухнути, спричинивши тілесні ушкодження та пошкодження майна.



ОБЕРЕЖНО! Уважно слідкуйте за тим, щоб діти не гралася з пристроєм.

ПРИМІТКА. За певних умов, коли зарядний пристрій підключений до мережі живлення, незахищені контакти всередині зарядного пристрою можуть заикнутися будь-яким стороннім предметом.

Сторонні предмети, що проводять струм, наприклад металева стружка, алюмінієва фольга або будь-які металеві деталі, необхідно зберігати подалі від зарядного пристрою. Завжди відключайте зарядний пристрій від розетки, коли батарея не встановлена в зарядний пристрій. Відключіть зарядний пристрій від мережі живлення перед його очищенням.

- **НЕ намагайтеся заряджати акумулятор зарядними пристроями, що не вказані в цьому керівництві.** Зарядний пристрій та акумулятори даної моделі розроблені для сумісної експлуатації.
- **Дані зарядні пристрої не призначені для зарядки акумуляторів інших типів, крім акумуляторів STANLEY FATMAX, які можна перезаряджати.** Використання з іншими акумуляторами може призвести до виникнення пожежі або ураження електричним струмом.
- **Не піддавайте зарядний пристрій впливу дощу або снігу.**
- **При відключенні зарядного пристрою від мережі живлення тягніть за вилку, а не за кабель.** Це зменшить ризик пошкодження вилки та кабелю.
- **Переконайтесь, що кабель розміщений так, щоб на нього не наступали, не ходили по ньому та не піддавали його іншим фізичним впливам.**
- **Не використовуйте подовжувальний шнур окрім випадків, коли це абсолютно необхідно.** Використання невідповідних подовжувальних шнурів може призвести до пожежі або ураження електричним струмом.
- **Не кладіть будь-які предмети на зарядний пристрій та не залишайте зарядний пристрій на м'якій поверхні, що може заблокувати вентиляційні отвори та призвести до надмірного нагрівання.** Розташуйте зарядний пристрій подалі від джерел тепла. Зарядний пристрій вентилюється крізь отвори у верхній та нижній частинах корпусу.
- **Не використовуйте зарядний пристрій із пошкодженим кабелем або вилкою – їх потрібно негайно замінити.**
- **Не використовуйте зарядний пристрій, якщо той отримав різкий удар, впав або був пошкоджений іншим чином.** Віднесіть його до авторизованого сервісного центру.
- **Якщо зарядний пристрій вимагає технічного обслуговування або ремонту, не розбирайте його самотужки, а віднесіть до авторизованого сервісного центру.** Невідповідні способи використання можуть призвести до виникнення пожежі або ураження електричним струмом.
- Якщо кабель живлення пошкоджено, для уникнення небезпеки його необхідно негайно замінити, звернувшись до виробника, спеціаліста сервісного центру або іншого кваліфікованого спеціаліста.

- **Відключайте зарядний пристрій від розетки перед його очищенням. Це дозволяє знизити ризик ураження електричним струмом.** Видалення акумулятора не знижує ризик.
- **НИКОЛИ не намагайтесь з'єднувати два зарядні пристрої.**
- **Цей зарядний пристрій розрахований на роботу зі стандартною напругою побутової електромережі 230 В. Не намагайтесь використовувати його з іншою напругою.** Це не стосується автомобільних зарядних пристроїв.







Зарядка акумулятора (рис. В)

1. Підключіть зарядний пристрій до відповідної розетки перед встановленням акумулятора.
2. Вставте акумулятор **21** у зарядний пристрій до упору. Червоний індикатор (зарядки) буде часто миготіти, указуючи на початок процесу зарядки.
3. Коли зарядку завершено, червоний індикатор горить, не блимаючи. Це означає, що акумулятор повністю заряджений та може використовуватися одразу або залишатися в зарядному пристрої. Щоб витягнути акумулятор із зарядного пристрою, натисніть кнопку деблокування **22** на акумуляторі.

ПРИМІТКА. Щоб забезпечити максимальну продуктивність та тривалість роботи літій-іонного акумулятора, повністю зарядіть його перед першим використанням.

Робота зарядного пристрою

Щоб визначити статус заряджання акумулятора, перевірте описані нижче індикатори.

Індикатори зарядки	
 Заряджається	
 Повністю заряджений	
 Затримка через надмірно високу/низьку температуру акумулятора*	

* Червоний індикатор буде продовжувати миготіти, а жовтий індикатор буде горіти під час виконання цього завдання. Коли акумулятор досягає відповідної температури, жовтий індикатор вимикається, а зарядний пристрій відновлює процес зарядки.

Сумісний зарядний пристрій (пристрої) не буде заряджати несправний акумулятор. Зарядний пристрій розпізнає несправну батарею та не ввімкне світловий індикатор.

ПРИМІТКА. Це також може свідчити про проблему з зарядним пристроєм.

Якщо виявлено проблему з зарядним пристроєм, віднесіть зарядний пристрій та акумулятор для перевірки в авторизований сервісний центр.

Затримка через надмірно високу/низьку температуру батареї

Якщо зарядний пристрій визначає, що акумулятор є надмірно гарячим або холодним, він автоматично

вмикає режим температурної затримки, припиняючи процес зарядки, доки акумулятор не досягне відповідної температури. Зарядний пристрій автоматично перемикається в режим зарядки акумулятора. Ця функція забезпечує максимальний термін служби акумулятора. Холодний акумулятор буде заряджатися повільніше порівняно з теплим акумулятором. Акумулятор буде заряджатися повільніше протягом всього циклу зарядки та не повернеться до максимальної швидкості зарядки, навіть якщо нагріється.

Електронна система захисту

Інструменти з літій-іонними акумуляторами розроблені з використанням електронної системи захисту, яка захищає акумулятор від перевантаження, перегрівання або глибокої розрядки.

Пристрій автоматично вимикається, якщо спрацює електронна система захисту. Якщо це сталося, встановіть літій-іонний акумулятор в зарядний пристрій до повної зарядки.

Акумулятор

Важливі інструкції з техніки безпеки для різних типів акумуляторів

При замовленні змінних акумуляторів не забудьте вказати номер за каталогом та напругою.

Новий акумулятор заряджений не повністю. Перед використанням акумулятора та зарядного пристрою прочитайте всі нижче наведені інструкції з техніки безпеки. Після цього виконайте всі вказані пункти процедури зарядки.

ПРОЧИТАЙТЕ ВСІ ІНСТРУКЦІЇ

- **Не заряджайте та не використовуйте акумулятор у вибухонебезпечних умовах, наприклад в присутності легкозаймистих рідин, газів або пилу.** При встановленні або видаленні акумулятора з зарядного пристрою можуть спалахнути пил або випари.
- **На прикладі зусилля, вставляючи акумулятор в зарядний пристрій. Жодним чином не модифікуйте акумулятор, аби встановити його в несумісний зарядний пристрій, адже акумулятор може розірватися та спричинити серйозні травми.**
- *Заряджайте акумулятори лише за допомогою зарядного пристрою STANLEY FATMAX.*
- **НЕ занурюйте акумулятор у воду та інші рідини та не бризкайте на нього.**
- **Не зберігайте та не використовуйте інструмент та акумулятор у місцях, де температура може опуститися нижче 4 °C (39,2 °F) (наприклад, біля гаражів або металевих будівель взимку) або сягати чи перевищувати 40 °C (104 °F) (наприклад, біля гаражів або металевих будівель влітку).**
- **Не спалюйте акумулятор, навіть якщо він сильно пошкоджений або повністю зношений.** Акумулятор може вибухнути у вогні. Коли літій-іонні акумулятори

горять, утворюються токсичні випаровування та речовини.

- **Якщо вміст акумулятора потрапив на шкіру, негайно промийте це місце м'яким мильним розчином та водою.** Якщо рідина з акумулятора потрапить в очі, промийте відкрите око протягом 15 хвилин або доки подразнення не зникне. Якщо необхідно звернутися до лікаря, укажіть, що акумуляторний електродит складається з суміші рідких органічних вуглекислих солей та солей літію.
- **Вміст відкритого акумулятора може спричинити подразнення дихальних шляхів.** Видіть на свіже повітря. Якщо симптоми не зникнуть, зверніться до лікаря.



УВАГА! Ризик отримання опіку. Рідина з акумулятора може спалахнути, якщо на неї потрапить іскра або полум'я.



УВАГА! За жодних умов не намагайтесь відкрити акумулятор. За будь-якого пошкодження акумулятора не встановлюйте його у зарядний пристрій. Не бийте, не кидайте та не пошкоджуйте акумулятор. Не використовуйте акумулятор та зарядний пристрій, якщо ті отримали різкий удар, впали або були пошкоджені іншим чином (наприклад, були проколоті цвяхом, вдарені молотком, на них наступили). Це може призвести до ураження електричним струмом. Пошкоджені акумулятори необхідно повернути в сервісний центр для переробки.



УВАГА! **Небезпека виникнення пожежі.** Зберігайте та переносьте акумулятор так, щоб металеві предмети не торкалися його відкритих контактів. Наприклад, не кладіть акумулятор у фартух, кишені, ящики з інструментами, коробки з наборами приладдя, шухляди тощо, де можуть бути цвяхи, гвинти, ключі тощо.



ОБЕРЕЖНО! Коли інструмент не використовується, залиште його на нерухомій поверхні в положенні на боці, гарантуючи його безпеку від падіння чи інших випадкових пошкоджень. Деякі інструменти з великими акумуляторами можна ставити на акумулятор, однак їх легко перевернути.

Транспортування



УВАГА! **Небезпека виникнення пожежі.** Під час перевезення акумуляторів може виникнути пожежа, якщо контакти акумулятора випадково ввійдуть в контакт з електропровідним матеріалом. Під час перевезення акумуляторів переконайтесь, що їхні контакти захищені та добре ізольовані від матеріалів, які можуть увійти з ними в контакт та викликати коротке замикання. **ПРИМІТКА.** При перевезенні літій-іонних акумуляторів не можна здавати їх в багаж.

STANLEY Акумулятори FATMAX відповідають всім застосовним нормам перевезення, описаним у галузевих та законодавчих положеннях, включаючи рекомендації ООН з перевезення небезпечних вантажів; правила перевезення небезпечних вантажів Міжнародної організації повітряного транспорту (IATA), міжнародні правила перевезення небезпечних вантажів водним транспортом (IMDG) та Європейську угоду про міжнародні дорожні перевезення небезпечних вантажів (ADR). Літій-іонні елементи живлення та акумулятори були перевірені відповідно до розділу 38.3 керівництва з тестів та критеріїв щодо перевезення небезпечних вантажів Рекомендацій ООН.

У більшості випадків перевезення акумуляторів може бути класифіковано як перевезення небезпечних речовин, що повністю підпадають під Клас 9. Загалом тільки вантажі, що містять літій-іонні акумулятори ємністю більше 100 ват-годин (Вт-год.), вимагають транспортування відповідно до норм перевезення небезпечних речовин, що повністю підпадають під Клас 9. На всі літій-іонні акумулятори нанесено значення ват-годин. Більше того, через складності законодавчих норм компанія STANLEY FATMAX не рекомендує транспортування окремо літій-іонних акумуляторів повітряним транспортом, незалежно від показника ват-годин. Перевезення інструментів з акумуляторами (у комплекті) можна виконувати повітряним транспортом, якщо значення ват-годин не перевищує 100 Вт-год.

Незалежно від того, чи підлягає вантаж регламентним вимогам чи відноситься до переліку їх виключень, вантажовідправник несе відповідальність за відповідність чинним вимогам щодо вимог до упакування, етикеток/маркування та документації.

Інформація, що наводиться у цьому розділі керівництва, сумлінно перевірена та вважається дійсною на момент складання документації. Проте чинні нормативи можуть підлягати змінам. Покупець несе відповідальність за дотримання законодавчих вимог.

Рекомендації щодо зберігання

1. Найкращим місцем для зберігання інструмента є прохолодне сухе місце, куди не потрапляють прямі сонячні промені та немає доступу тепла та холоду. Для забезпечення оптимальної продуктивності та терміну служби акумуляторів зберігайте їх при кімнатній температурі, коли вони не використовуються.
2. При тривалому зберіганні для оптимального результату рекомендується помістити повністю заряджений акумулятор у сухе прохолодне місце поза зарядним пристроєм.

ПРИМІТКА. Не рекомендується зберігати акумулятор повністю розрядженим. Акумулятор потрібно перезарядити перед використанням.

Етикетки на зарядному пристрої та акумуляторі

Крім символів, що використовуються у цьому керівництві, етикетки на зарядному пристрої та акумуляторі можуть містити наведені нижче позначки.



Прочитайте інструкції цього керівництва перед використанням.



Див. розділ **Технічні дані** щодо часу зарядки.



Уникайте контакту з електропровідними об'єктами.



Не заряджайте пошкоджені акумулятори.



Не надавайте впливу води.



Негайно замінійте пошкоджений шнур живлення



Заряджайте акумулятор за температури від 4 °C до 40 °C.



Лише для використання у приміщенні.



Утилізуйте акумулятори з належною турботою про навколишнє середовище.



Заряджайте акумуляторні батареї STANLEY FATMAX лише спеціально розробленими зарядними пристроями STANLEY FATMAX. Зарядка інших акумуляторів крім акумуляторів STANLEY FATMAX за допомогою зарядного пристрою STANLEY FATMAX може спричинити вибух акумулятора або інші небезпечні ситуації.



Не кидайте акумулятори у відкритий вогонь.

Тип акумулятора

Наступні прилади працюють від акумулятора на 18 В: SFMCMW2651

Для експлуатації придатні акумулятори наступних моделей: SFMCB202, SFMCB204, SFMCB206. Див. додаткову інформацію у розділі **Технічні дані**.

Комплект поставки

До комплекту входить:

- 1 Газонокосарка
- 1 Зарядний пристрій
- 1 Травозбірник
- 1 Боковий вихідний жолоб
- 1 Захисний ключ
- 2 Літій-іонні акумулятори (моделі C2, D2, L2, M2, P2, S2, T2, X2, Y3)
- 1 Керівництво з експлуатації

ПРИМІТКА. Акумулятори, зарядні пристрої та коробки для зберігання не входять до комплекту моделей N. Акумулятори та зарядні пристрої не входять до комплекту моделей NT.

- *Перевірте інструмент, деталі та приладдя на пошкодження, що могли виникнути під час транспортування.*
- *Перед використанням уважно прочитайте та повністю зрозумійте це керівництво.*

Маркування на інструменті

На інструменті є наступні піктограми:



Прочитайте інструкції цього керівництва перед використанням.



Використовуйте засоби захисту слуху.



Використовуйте засоби захисту очей.



Бережіться об'єктів, які летять. Тримайте сторонніх людей подалі від зони різання.



В Директиві 2000/14/ЕС вказана гарантована звукова потужність.



Не залишайте прилад під дощем.



Леза продовжують обертатися після вимкнення двигуна.

Розташування коду дати (рис. А)

Код дати **18**, що включає також рік виробництва, наноситься на корпус.

Приклад:

2020 XX XX

Рік та тиждень виробництва

Опис (рис. А)



УВАГА! За жодних обставин не модифікуйте лампу освітлення робочої зони. Це може призвести до пошкодження майна або тілесних ушкоджень.

- 1 Блок перемикачів
- 2 Кнопка увімкнення-вимкнення
- 3 Захисний ключ
- 4 Основна ручка (верхня ручка)
- 5 Нижня частина ручки.
- 6 Ручка-дужка
- 7 Кришка відсіку батарей
- 8 Важіль регулювання висоти відрізання
- 9 Задня кришка
- 10 Травозбірник

- 11 Ручка травозбірника
- 12 Нижня ручка для перенесення
- 13 Бокова заслінка
- 14 Насадка для бокового розвантаження
- 15 Важелі регулювання висоти ручки
- 16 Важелі блокування верхньої ручки
- 17 Рукоятка верхньої ручки

Сфера застосування


Ця газонокосарка призначена для косіння споживчих газонів.

НЕ використовуйте за умов підвищеної вологості або в присутності легкозаймистих рідин та газів.

НЕ дозволяйте дітям торкатися інструмента. Використання інструмента недосвідченими операторами потребує нагляду.

- **Діти та хворі люди.** Цей пристрій не призначений для експлуатації дітьми та особами з обмеженими розумовими та фізичними можливостями без стороннього контролю.
- Цей прилад не призначений для використання особами (включаючи дітей) із зниженими фізичними, сенсорними або розумовими можливостями або особами, яким бракує досвіду або знань за винятком випадків, коли такі особи працюють під наглядом або отримали інструкції щодо використання пристрою від особи, яка несе відповідальність за їх безпеку. Необхідно стежити за дітьми та не дозволяти їм грати з приладом.

МОНТАЖ ТА НАЛАШТУВАННЯ

-  **НЕБЕЗПЕЧНО!** Для зниження ризику отримання серйозних травм вимикайте пристрій та виймайте захисний ключ і акумуляторні батареї перед виконанням будь-яких регулювань або демонтажу/встановлення приладдя або насадок. Випадковий запуск може призвести до травм.

Регулювання висоти ручки (рис. А, С)

Косарка постачається в режимі зберігання. Перед продовженням роботи необхідно перевести ручку в робоче положення.

1. Щоб розблокувати нижню ручку **5** з положення зберігання, відкрийте два важелі регулювання висоти ручки **15**. Важелі регулювання висоти ручки **15** розташовані по обидва боки від нижньої ручки **5**.
2. Підніміть нижню ручку в робоче положення. Будьте обережні, щоб не затиснути і не навантажити шнур.
3. Закрийте важелі регулювання висоти ручки **15**, закріпивши нижню ручку у відповідному положенні.

ПРИМІТКА. Якщо з'єднання між ручкою і важелем занадто туге або занадто вільне, відкрийте важіль і відрегулюйте глибину важеля, повертаючи його за або проти годинникової стрілки. Закрийте його знову так, щоб кожен важіль залишався надійно закритим, а ручка була надійно закріплена і не рухалася.

Встановлення верхньої ручки (рис. А, D)


1. Зіставте отвори в нижній частині верхньої ручки **4** з отворами у верхній частині нижньої ручки **5**. Будьте обережні, щоб не затиснути і не навантажити шнур.

ПРИМІТКА. Переконайтесь, що шнур розташований на передній частині обох ручок. Іншаке це може привести до заплутування шнура і неможливості легкого зберігання газонокосарки.

2. Ззовнішньої сторони верхньої ручки **4** просуньте важелі блокування ручки **16** через два отвори в ручці. Повторіть ці дії для протилежної сторони.
3. З внутрішньої сторони верхньої ручки злегка затягніть рукоятку **17** на кожному важелі блокування ручки **16**.
4. Поверніть верхню ручку **4** у робочу позицію. Будьте обережні, щоб не затиснути і не навантажити шнур.
5. Закрийте важелі блокування ручки **16**, закріпивши верхню ручку у відповідному положенні.


ПРИМІТКА. Якщо з'єднання між ручкою і важелем занадто туге або занадто вільне, відкрийте важіль і відрегулюйте глибину важеля, повертаючи його за або проти годинникової стрілки. Закрийте його знову так, щоб кожен важіль залишався надійно закритим, а ручка була надійно закріплена і не рухалася.

Травозбірник (рис. E)

-  **НЕБЕЗПЕЧНО!** Вимкніть пристрій та вийміть захисний ключ та акумуляторні батареї.

1. Підніміть задню кришку **9** і встановіть травозбірник **10** на газонокосарку так, щоб виступи травозбірника **19** увійшли в отвори **20** на внутрішніх пластикових поверхнях кронштейнів ручок, як показано на рис. E. Потім опустіть задню кришку.
2. Якщо встановлено, зніміть боковий вихідний жолоб **14** і переконайтесь, що бокова заслінка **13** повністю опущена.


Бокове розвантаження (рис. А, F)

-  **НЕБЕЗПЕЧНО!** Вимкніть пристрій та вийміть захисний ключ та акумуляторні батареї.

1. Для роботи газонокосарки в режимі бокового розвантаження вийміть травозбірник **10**.
2. Переконайтесь, що задня кришка **9** закрита.
3. Підніміть бокову заслінку **13** і зачепіть боковий вихідний жолоб **14** за газонокосарку.
4. Перед увімкненням газонокосарки відпустіть бокову заслінку і переконайтесь в тому, що боковий вихідний жолоб **14** тримається на місці.

ПРИМІТКА. Задня кришка **9** має таку форму, що отвір (знизу) не може бути повністю закритим.

Мульчування (рис. А, E, F)

-  **НЕБЕЗПЕЧНО!** Вимкніть пристрій та вийміть захисний ключ та акумуляторні батареї.

1. Для роботи газонокосарки в режимі мульчування вийміть травозбірник **10**.
2. Переконайтесь, що задня кришка **9** закрита.

3. Якщо встановлено, зніміть боковий вихідний жолоб **14** і переконайтесь, що бокова заслінка **13** повністю опущена.

Регулювання висоти газонокосарки (рис. G, H)

! **УВАГА!** Ніколи не намагайтеся регулювати висоту газонокосарки під час роботи двигуна.

Висота скошування регулюється за допомогою важеля регулювання висоти скошування **8**.

ПРИМІТКА. Якщо ви не впевнені, на якій висоті зрізати, починайте косити за допомогою важелів регулювання висоти скошування **8**, розташованих у задній частині приладу, і регулюйте висоту за необхідності.

Встановлення висоти скошування

1. Витягніть важіль регулювання висоти скошування **8** із фіксуєчою виймкою **23**.
2. Подайте важіль у напрямку задньої частини пристрою, щоб збільшити висоту різання за бажанням.
3. Подайте важіль у напрямку передньої частини пристрою, щоб зменшити висоту різання за бажанням.
4. Встановіть важіль регулювання висоти скошування **8** в одну із фіксуєчючих виймок **23**, щоб встановити висоту.
5. Повторіть для іншого важеля регулювання висоти скошування **8**.

ЕКСПЛУАТАЦІЯ

Інструкції з використання

! **УВАГА!** Завжди дотримуйтеся усіх інструкцій з техніки безпеки та відповідних норм.

! **УВАГА!** Щоб знизити ризик серйозних тілесних ушкоджень, вимкніть інструмент та відключіть акумулятор перед виконанням будь-яких налаштувань або зніманням/встановленням додаткового обладнання або приладдя. Випадковий запуск може призвести до тілесних ушкоджень.

Належне положення рук (рис. К)

! **УВАГА!** Щоб знизити ризик серйозних травм, **ЗАВЖДИ** правильно розташуйте руки, як показано.

! **УВАГА!** Щоб знизити ризик серйозних травм, **ЗАВЖДИ** надійно тримайте інструмент, щоб попередити випадкову віддачу.

При правильному положенні рук необхідно обома руками тримати за основну ручку **4** та ручку-дужку **6**.

ПЕРЕД ПОЧАТКОМ РОБОТИ З ГАЗОКОСАРКОЮ ОЗНАЙОМТЕСЯ З ДАНИМ КЕРІВНИЦТВОМ З ЕКСПЛУАТАЦІЇ

Повний список компонентів наведено на рисунку А на початку цього посібника. Зберігайте цей посібник для

використання в майбутньому.

! **НЕБЕЗПЕЧНО!** *Леза рухаються і є гострими.* Не використовуйте газонокосарку в режимі мульчування, якщо задні дверцята та дверцята для бокового розвантаження не закриті під дією натягу пружини, так як це може призвести до важких травм. Віднесіть газонокосарку в найближчий сервісний центр для ремонту.

! **НЕБЕЗПЕЧНО!** Не експлуатуйте газонокосарку, якщо ручка не зафіксована в положенні.

! **НЕБЕЗПЕЧНО!** *Леза рухаються і є гострими.* Ніколи не використовуйте газонокосарку в режимі збору трави, якщо виступи травозбірника не розміщені належним чином на косарці, а задні дверцята для розвантаження щільно прилягають до верхньої частини травозбірника, оскільки це може призвести до серйозних травм.

! **УВАГА!** Газонокосарка повинен працювати з рекомендованою швидкістю. Не перевантажуйте його.

Встановлення та виймання акумуляторів (рис. І)

! **НЕБЕЗПЕЧНО!** **ПЕРЕД ВСТАНОВЛЕННЯМ ТА ЗНІМАННЯМ БАТАРЕЙ ПЕРЕКОНАЙТЕСЯ, ЩО ЗАХИСНИЙ КЛЮЧ ВІЙНЯТО, ЩОБ УНИКНУТИ ВИПАДКОВОГО ЗАПУСКУ.**

Ця косарка призначена для роботи від двох акумуляторних батарей однакової ємності. Газонокосарка не працюватиме з однією акумуляторною батареєю, і при використанні батарей різної ємності, коли розрядиться батарея меншої ємності, пристрій вимкнеться.

ПРИМІТКА. Для забезпечення найкращих результатів, перед використанням слід переконавшись, що акумулятор повністю заряджений.

Встановлення акумуляторних батарей

1. Підніміть кришку батарейного відсіку **7**, щоб відкрити батарейний відсік **24**.
2. Вставте акумуляторну батарею **21** у відсік **24**, поки не пролунає відповідне клацання (рис. І). Повторіть для другого батарейного відсіку.

ПРИМІТКА. Перед запуском газонокосарки переконайтесь, що акумуляторні батареї повністю сіли на свої місця та повністю зафіксовані у відповідному положенні.

3. Закрийте кришку батарейного відсіку. Перед запуском газонокосарки переконайтесь, що кришка повністю закрыта.

Виймання акумуляторних батарей

1. Підніміть кришку батарейного відсіку **7**, щоб відкрити батарейний відсік **24**.
2. Натисніть кнопку витягування батареї **22** на акумуляторній батареї **21** та витягніть акумуляторні батареї з інструменту.

Запуск газонокосарки (рис. І–К)



НЕБЕЗПЕЧНО! Леза рухаються і є гострими. Ніколи не намагайтесь змінювати спосіб використання цього блоку перемикачів та системи захисного ключа, тому що це може призвести до серйозних травм.

ПРИМІТКА. Газонокосарка працює при встановлених акумуляторних батареях та захисному ключі.

1. Підніміть кришку батарейного відсіку **7**, щоб відкрити батарейний відсік **24**.
2. Вставте акумуляторну батарею **21** у відсік **24**, поки не пролунає відповідне клацання. Повторіть цей процес для другого батарейного відсіку.

ПРИМІТКА. Перед запуском газонокосарки переконайтесь, що акумуляторні батареї повністю сіли на свої місця та повністю зафіксовані у відповідному положенні.

3. Закрийте кришку батарейного відсіку. Перед запуском газонокосарки переконайтесь, що кришка повністю закрита.
4. Вставте захисний ключ **3** в БЛОК перемикачів **1** до повної посадки всередині корпусу. Тепер газонокосарка готова до роботи.
5. Ваша газонокосарка оснащена спеціальним БЛОКОМ перемикачів **1**. Для роботи з газонокосаркою натисніть і утримуйте кнопку УВІМКНЕННЯ/ВИМКНЕННЯ **2** на БЛОЦІ перемикачів **1**, а потім потягніть ручку-дужку **6** до основної ручки **4**.

ПРИМІТКА. Після запуску газонокосарки можна відпустити кнопку УВІМКНЕННЯ/ВИМКНЕННЯ, але для її роботи необхідно продовжувати утримувати ручку-дужку на основній ручці.

6. Щоб ВИМКНУТИ газонокосарку, просто відпустіть ручку-дужку **6**.



УВАГА! В жодному разі не намагайтесь заблокувати перемикач або ручку-дужку у вимкненому положенні.

ПРИМІТКА. Коли ручка-дужка повертається у вихідне положення, вона активує «Механізм автоматичного гальмування». Двигун буде загальмований, а лезо газонокосарки перестане обертатися через 3 секунди або навіть менше. Якщо лезо газонокосарки обертається більше трьох секунд, припиніть її використання та виконайте технічне обслуговування.

Перевантаження косарки

Щоб уникнути пошкодження через перевантаження косарки, не скошуйте занадто багато трави за раз. Сповільніть швидкість скошування або підніміть висоту відрізання.

Поради щодо скошування (рис. А)



УВАГА! ЗАВЖДИ ОГЛЯДАЙТЕ МІСЦЕ, ДЕ БУДЕ ВИКОРИСТОВУВАТИСЯ ГАЗОНОКОСАРКА, ТА ВИДАЛЯЙТЕ ВСІ КАМЕНІ, ГІЛКИ, КАБЕЛІ ТА ІНШЕ СМІТТЯ, ЯКЕ МОЖЕ ПЕРЕШКОДЖАТИ РОБОТІ ЛЕЗА, ЩО ОБЕРТАЄТЬСЯ.



УВАГА! Рухайтесь вздовж схилу, але за жодних обставин не вгору або вниз. Будьте особливо уважні під час зміни напрямку скошування на схилі. Не скошуйте траву на занадто крутому схилі (більше 15°). Завжди стежте за положенням ніг.

- Відпускайте ручку-дужку, щоб вимкнути газонокосарку при переході через засипані гравієм доріжки (каміння може бути відкинута лезом).
- Встановіть найбільше значення висоти скошування, коли необхідно скосити нерівну поверхню або високі бур'яни. Скошування занадто великої частини трави за один раз може призвести до перевантаження двигуна та його зупинки.
- Якщо під час скошування використовується травозбірник **10** в період швидкого росту трави, трава може накопичуватись біля отвору викидання трави. Відпустіть ручку-дужку, щоб вимкнути косарку та витягніть захисний ключ і акумуляторні батареї. Зніміть мішок для збирання трави та струсіть траву в його задню частину. Також приберіть траву або сміття біля отвору викидання трави. Замініть травозбірник.
- Якщо косарка почне аномально вібрувати, відпустіть ручку-дужку, щоб вимкнути косарку та витягніть захисний ключ і акумуляторні батареї. негайно перевірте причину. Вибрація є попередженням про проблему. Не використовуйте косарку до її перевірки.
- Для досягнення найкращих результатів скошування зберігайте заточку і збалансованість леза.
- Перевіряйте і ретельно очищайте косарку після кожного використання, оскільки дека з затверділою травою буде погіршувати її експлуатаційні характеристики.
- Завжди відпускайте ручку-дужку, щоб вимкнути косарку, та витягайте захисний ключ і акумуляторні батареї, якщо косарка залишається без нагляду протягом певного часу.

Наступні рекомендації допоможуть отримати оптимальну продуктивність та термін роботи бездротової косарки:

- Уповільнійте скошування в місцях, де трава особливо висока та густа.
- Уникайте скошування, коли трава мокра від дощу або просочена росюю.
- Часто підстригайте газон, особливо під час періодів швидкого зростання.

ПРИМІТКА. Рекомендується заряджати акумуляторні батареї після використання для продовження їх терміну служби. Часта зарядка не зашкодить акумуляторній батареї і забезпечить її повний заряд і готовність до наступного використання. Зберігання не повністю зарядженої акумуляторної батареї скоротить її термін служби.

Перенесення газонокосарки (рис. А)



НЕБЕЗПЕЧНО! Леза, що обертаються, можуть спричинити серйозні травми. Щоб уникнути серйозних травм виймайте захисний ключ і акумуляторні батареї, коли газонокосарка знаходиться без нагляду або при її зарядці,

очищенні, обслуговуванні, транспортуванні, підйомі або зберіганні.

Косарку можна переносити за допомогою зручної ручки для перенесення **12**. НЕ намагайтеся підняти косарку, тримаючись за основну ручку **4**.

Зберігання (рис. C, D)

НЕБЕЗПЕЧНО! Лезо, що обертається, може спричинити серйозні травми. Відпустіть ручку-дужку, щоб вимкнути газонокосарку, та витягніть захисний ключ і акумуляторні батареї перед підніманням, транспортуванням або зберіганням газонокосарки. Зберігайте її у сухому приміщенні.



ОБЕРЕЖНО! Зона затиснення. Щоб уникнути затиснення, при складанні ручок тримайте пальці подалі від області навколо кронштейнів ручки.

Ручка косарки легко складається для швидкого і зручного зберігання.

1. Відкрийте важелі блокування ручки **16**, закріпивши верхню ручку.
2. Поверніть верхню ручку в бік передньої частини косарки.
3. Відкрийте важелі регулювання висоти ручки **15**.
4. Поверніть нижню ручку у положення зберігання.
5. Закрийте важелі регулювання висоти ручки **15**, закріпивши нижню ручку у положенні зберігання.

ТЕХНІЧНЕ ОБСЛУГОВУВАННЯ

Ваш електричний інструмент призначений для роботи протягом довгого часу з мінімальним обслуговуванням. Довга задовільна робота приладу залежить від належного обслуговування приладу та регулярного його очищення.



УВАГА! Щоб знизити ризик серйозних тілесних ушкоджень, вимкніть інструмент та відключіть акумулятор перед виконанням будь-яких налаштувань або зніманням/встановленням додаткового обладнання або приладдя. Випадковий запуск може призвести до тілесних ушкоджень.

Зарядні пристрій та акумулятор не підлягають обслуговуванню.

Зняття та встановлення леза (рис. L)

НЕБЕЗПЕЧНО! РИЗИК ТРАВМИ. ПРИ ПОВТОРНИЙ ЗБІРЦІ СИСТЕМИ ЛЕЗ ПЕРЕКОНАЙТЕСЯ, ЩО КОЖНА ДЕТАЛЬ ВСТАНОВЛЕНА ПРАВИЛЬНО, ЯК ОПИСАНО НИЖЧЕ. НЕВІРНИЙ МОНТАЖ ЛЕЗА АБО ІНШИХ ДЕТАЛЕЙ РІЗУЮЧОЇ СИСТЕМИ МОЖЕ СПРИЧИНИТИ СЕРЬОЗНУ ТРАВМУ.



НЕБЕЗПЕЧНО! Для зниження ризику отримання серйозних травм виймайте пристрій та виймайте захисний ключ і акумуляторні батареї перед виконанням будь-яких регулювань або демонтажу/встановлення приладдя або насадок. Випадковий запуск може призвести до тілесних ушкоджень.

ПРИМІТКА. Використовуйте лише леза та приладдя, рекомендоване STANLEY FATMAX. Використовуйте заміне лезо STANLEY FATMAX, № моделі: DWO1DT233.

1. Відріжте шматок дерева розміром 2" x 4" **25** (довжиною близько 2 футів) (610 мм), щоб лезо не поверталось при знятті фланцевої гайки **27**.



УВАГА! Використовуйте захисні рукавиці та відповідні засоби захисту очей. Поверніть газонокосарку на бік. Будьте обережні з гостримі краями леза.

2. Розмістіть деревину та відкрутіть гайку фланця проти годинникової стрілки за допомогою гайкового ключа на 18 мм **26**, як показано на рис. L.
3. Зніміть квадратну металеву шайбу леза **30**, квадратний пластиковий ущільнювач леза **28** і лезо **29**, як показано на рис. L. Лопатевий вентилятор **31** не слід знімати. Перевірте усі деталі на наявність пошкоджень і замініть їх за необхідності.

4. Встановіть заточене або нове лезо на плече лопатевого вентилятора, як показано на рис. L.

ПРИМІТКА. При установці заточеного або нового леза на плече лопатевого вентилятора переконайтеся, що сторона леза, що ОБРІЗУЄ ТРАВУ, буде дивитися донизу, коли косарка повернеться до свого нормального положення.

5. Встановіть ущільнювач леза **28** на лезо, щоб піднятий край відповідав краям леза.
6. Встановіть шайбу леза **30**, щоб вона знаходилась між піднятими краями на іншій стороні ущільнювача леза. Не забудьте вирівняти поверхні в отворі шайби з поверхнями пазу, повертаючи лезо та ущільнювач разом, якщо це необхідно.
7. Встановіть шматок бруска таким чином, щоб запобігти повертання леза, як показано на рис. L. Встановіть фланцеву гайку **27** фланцем на шайбу леза **30** і надійно затягніть лезо **29** гайковим ключем на 18 мм **26**.

Гостріння леза

ДЛЯ ОПТИМАЛЬНОЇ ПРОДУКТИВНОСТІ ГАЗОНОКОСАРКИ ТРИМАЙТЕ ЛЕЗО ГОСТРИМ. ТУПЕ ЛЕЗО НЕ РІЗАТИМЕ ТРАВУ ЧИСТО.



УВАГА! Використовуйте рукавиці та належні засоби захисту очей під час зняття, гостріння та встановлення леза. Впевніться, що захисний ключ та акумуляторна батарея вийняті.

Двічі загострюйте лезо протягом сезону скошування трави, цього має бути достатньо за нормальних умов використання. Пісок призводить до швидкого затуплення леза. Якщо ваш газон посаджений на піщаному ґрунті, необхідно загострювати лезо частіше. **НЕГАЙНО ЗАМІНІТЬ ЗІГНУТЕ АБО ПОШКОДЖЕНЕ ЛЕЗО.**

Загострення леза:

- Забезпечуйте збереження балансування леза.
- Загострюйте лезо таким чином, щоб зберегти кут первісної ріжучої кромки.

- Загострюйте ріжучі кромки з обох кінців леза, знімаючи однакову кількість металу з кожного кінця.

Загострення леза в лещатах (рис. М)

1. Перед зняттям леза переконайтесь, що лезо зупинилося, ручка-дужка відпущена, захисний ключ і акумуляторні батареї вийнято.
2. Зніміть лезо з газонокосарки. Дивіться інструкції із **Зняття та встановлення леза**.
3. Затисніть лезо **29** в лещатах **32**.
4. Використовуйте належні засоби захисту очей та рукавиці та будьте обережні, щоб не порізатись.
5. Ретельно загостріть ріжучу кромку леза дрібним напилком **34** (не входить до комплекту постачання) або точильним каменем (не входить до комплекту постачання), зберігаючи кут первісної різальної кромки.
6. Перевірте балансування леза. Дивіться інструкції з **Балансування леза**.
7. Установіть лезо на газонокосарці та надійно затягніть.

Балансування леза (рис. N)

Перевірте баланс леза **29**, вставивши в центральний отвір леза цвях або викрутку з круглим жалом **33**, що закріплені в лещатах **32** горизонтально. Якщо один з кінців леза обертається донизу, зніміть метал вздовж гострої кромки сторони, яка нахилилась донизу. Лезо вважається належним чином збалансованим тоді, коли жоден з кінців не обертатиметься донизу.



Змащування

Ваш електричний інструмент не вимагає додаткового змащування.



Очищення



УВАГА! Коли пил та бруд стають помітними та починають накопичуватися біля вентиляційних отворів, видуйте бруд та пил зсередини основного корпусу за допомогою сухого повітря. Використовуйте рекомендовані засоби захисту органів зору та рекомендовану протипилову маску при виконанні цієї операції.



УВАГА! Ніколи не використовуйте розчинники та інші агресивні хімічні засоби для очищення неметалевих деталей інструмента. Такі хімічні речовини можуть нанести шкоду матеріалам, що використовуються в цих деталях. Використовуйте вологу тканину, змочену лише водою з м'яким милом. Не дозволяйте рідині потрапляти всередину інструмента та ніколи не занурюйте деталі інструмента в рідину.

Відпустіть ручку-дужку **6**, щоб вимкнути косарку, дайте лезу зупинитися, а потім вийміть акумуляторні батареї і захисний ключ. Очистіть нижню сторону косарки від обрізків трави, які могли там накопичитись. Не розпоршуйте воду або інші рідини. Після кількох використань перевіряйте затягнення всіх з'єднань.

Додаткове приладдя



УВАГА! Оскільки інше приладдя, що не рекомендоване компанією STANLEY FATMAX, не було перевірено з цим виробом, використання такого приладдя з цим інструментом може бути небезпечним. Для зниження ризику отримання травми використовуйте лише приладдя, рекомендоване компанією STANLEY FATMAX.

Зверніться до свого дилера для отримання подальшої інформації щодо відповідного приладдя.

Захист навколишнього середовища



Роздільний збір. Пристрої та батареї, позначені цим символом, не можна викидати зі звичайним побутовим сміттям.

Пристрої та батареї містять матеріали, які можна відновити та переробити, що зменшить потребу у сировині. Будь ласка, віддавайте електричні інструменти та батареї на переробку відповідно до місцевих постанов. Більш детальну інформацію можна отримати на сайті www.2helpU.com.

Придатність акумулятора для перезарядки

Дана модель акумулятора підлягає перезарядці у випадку зниження його потужності при виконанні завдань, що попередньо не вимагали особливих зусиль. Наприкінці терміну служби акумулятора утилізуйте його у спосіб, безпечний для навколишнього середовища.

- Повністю розрядіть акумулятор, потім витягніть його з інструмента.
- Літій-іонні акумулятори можна повторно переробляти. Відправте їх до свого дилера або на місцеву переробну станцію. Там зібрані акумулятори будуть перероблені або відповідно знищені.



060

Виробник:

"Stanley Black & Decker Deutschland GmbH" Black-&-Decker Str.40, D-65510 Idstein, Німеччина

STANLEY
FATMAX

ГАРАНТІЙНИЙ ТАЛОН

3 РОКИ
ГАРАНТІЇ

- Вітаємо Вас з покупкою високоякісного виробу Stanley FATMAX і висловлюємо вдячність за Ваш вибір.
- При покупці виробу вимагайте перевірки його комплектності і справності у Вашій присутності, інструкцію з експлуатації та заповнений гарантійний талон українською мовою. В гарантійному талоні повинні бути внесені: модель, дата продажу, серійний номер, дата виробництва інструменту; назва, печатка і підпис торгової організації. За відсутності у Вас правильно заповненого гарантійного талону, а також при невідповідності зазначених у ньому даних ми будемо змушені відхилити Ваші претензії щодо якості даного виробу.
- Щоб уникнути непорозумінь, переконливо просимо Вас перед початком роботи з виробом уважно ознайомитися з інструкцією з його експлуатації. Правовою основою справжніх гарантійних умов є чинне Законодавство. Гарантійний термін на даний виріб складає 36 місяці і обчислюється з дня продажу. У разі усунення недоліків виробу, гарантійний строк продовжується на період його перебування в ремонті. Термін служби виробу становить 5 років з дня продажу.
- У разі виникнення будь-яких проблем у процесі експлуатації виробу рекомендуємо Вам звертатися тільки в уповноважені сервісні центри Stanley FATMAX, адреси та телефони яких Ви зможете знайти в гарантійному талоні, на сайті www.2helpU.com або дізнатися в магазині. Наші сервісні станції - це не тільки кваліфікований ремонт, але і широкий асортимент запчастин і аксесуарів.
- Виробник рекомендує проводити періодичну перевірку і технічне обслуговування виробу в уповноважених сервісних центрах.
- Наші гарантійні зобов'язання поширюються тільки на несправності, виявлені протягом гарантійного терміну і викликані дефектами виробництва та \ або матеріалів.
- Гарантійні умови не поширюються на несправності виробу, що виникли в результаті:
 - 7.1. Недотримання користувачем приписів інструкції з експлуатації виробу, застосування виробу не за призначенням, неправильного зберігання, використання приладдя, витратних матеріалів і запчастин, що не передбачені виробником.
 - 7.2. Механічного пошкодження (відколю, тріщини і руйнування) внутрішніх і зовнішніх деталей виробу, основних і допоміжних рукояток, мережевого кабелю, що викликані зовнішнім ударним або будь-яким іншим впливом
 - 7.3. Потраплення у вентиляційні отвори та проникнення всередину виробу сторонніх предметів, матеріалів або речовин, що не є відходами, які супроводжують застосування виробу за призначенням, такими як: стружка, тирса, пісок, та ін.
 - 7.4. Впливу на виріб несприятливих атмосферних і інших зовнішніх факторів, таких як дощ, сніг, підвищена вологість, нагрівання, агресивні середовища, невідповідність параметрів електромережі, що зазначені на інструменті.
 - 7.5. Стихійного лиха. Пошкодження або втрати виробу, що пов'язані з непередбаченими лихами, стихійними явищами, у тому числі внаслідок дії непереборної сили (пожежа, блискавка, потоп і інші природні явища), а також внаслідок переладів напруги в електромережі та іншими причинами, які знаходяться поза контролем виробника.
- Гарантійні умови не поширюються:
 - 8.1. На інструменти, що піддавалися розкриттю, ремонту або модифікації поза уповноваженим сервісним центром.
 - 8.2. На деталі, вузли та матеріали, що мають сліди природного зносу, такі як: приводні ремені і колеса, вугільні щітки, мастило, підшипники, зубчасті зчеплення редукторів, гумові ущільнення, сальники, направляючі ролики, муфти, вижимачі, бойки, штовхачі, стовпи тощо.
 - 8.3. На змінні частини: патрони, цанги, затискні гайки і фланці, фільтри, ножі, шліфувальні підшви, ланцюги, зірочки, пильні шини, захисні кожухи, пилки, абразиви, пильні і абразивні диски, фрези, свердла, бури тощо
 - 8.4. На несправності, що виникли в результаті переважання інструменту (як механічного, так і електричного), що спричинили вихід з ладу одночасно двох і більше деталей і вузлів, таких як: ротора і статора, обох обмоток статора, веденої і ведучої шестерень редуктора або інших вузлів і деталей. До безумовних ознак переважання виробу відносяться, крім інших: поява кольорів мільнисті, деформація або оплвлення деталей і вузлів виробу, потемніння або обуглювання ізоляції проводів електродвигуна під впливом високої температури.

Товар отриманий в справному стані, без видимих ушкоджень, в повній комплектації, перевірений у моїй присутності, претензій щодо якості товару не маю. З умовами гарантійного обслуговування ознайомлений і згоден.

П. І. Б. та підпис власника _____

Шановні клієнти, наша мережа авторизованих сервісних центрів постійно розширюється. Актуальну інформацію про обслуговування в місті, що цікавить вас, ви можете дізнатися на сайті

www.2helpU.com

Редакція ВК/12-12-2018

Інформація про інструмент

Найменування інструменту	
Модель	
Найменування продавця	
Дата продажу	

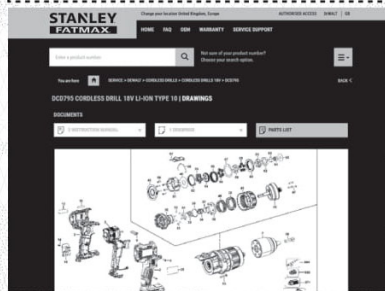
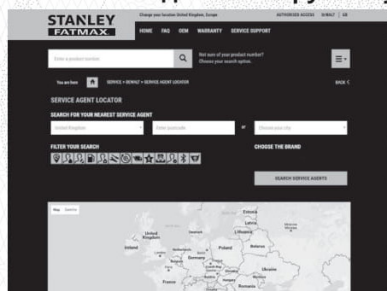
М.П.
Продавця

Серійний номер/Дата виробництва

Інструмент	
Зарядний пристрій	
Акумулятор 1	
Акумулятор 2	

На сайті www.2helpU.com доступні наступні функції:

- Список авторизованих сервісних центрів
- Зручний пошук найближчого сервісного центру
- Керівництво з експлуатації
- Технічні характеристики
- Список деталей і запасних частин
- Схема складання інструменту



Також дану інформацію ви можете отримати,
зателефонувавши за номером:
0 (800) 211 521 в Україні

ВІДМІТКА ПРО ПРОВЕДЕННЯ СЕРВІСНОГО ОБСЛУГОВУВАННЯ

№1	№2	№3	№4
№ замовлення	№ замовлення	№ замовлення	№ замовлення
Дата прийому	Дата прийому	Дата прийому	Дата прийому
Дата ремонту	Дата ремонту	Дата ремонту	Дата ремонту
Печатка і підпис сервісного центру	Печатка і підпис сервісного центру	Печатка і підпис сервісного центру	Печатка і підпис сервісного центру

