





Fig. A

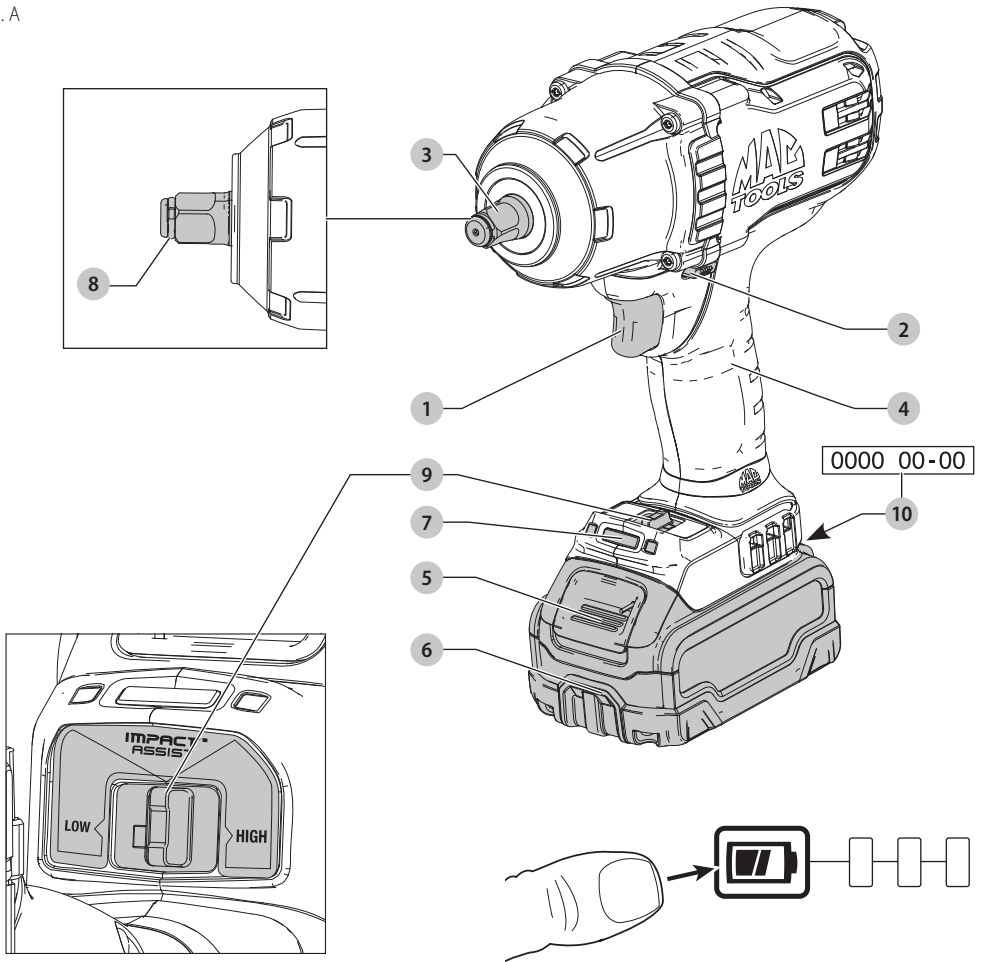


Fig. B

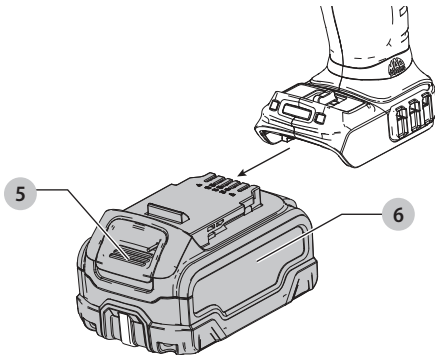
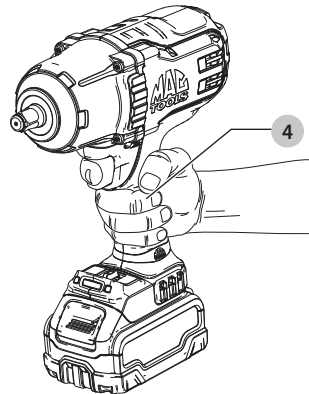


Fig. C



# 1/2" HIGH TORQUE IMPACT WRENCH

## BWP152

### Congratulations!

You have chosen a Mac Tools cordless impact wrench. Years of experience, thorough product development and innovation make Mac Tools one of the most reliable partners for professional power tool users.

### Technical Data

		BWP152
Voltage	$V_{DC}$	18
Type		4
Battery type		Li-Ion
No load speed	rpm	0–400 0–1900 0–1900
Impact rate	$\text{min}^{-1}$	0–2400
Max breakaway torque	Nm	1625
Weight (without battery pack)	kg	2.6
Noise values and/or vibration values (triax vector sum) according to EN62841-2-2:		
$L_{PA}$ (emission sound pressure level)	dB(A)	101
$L_{WA}$ (sound power level)	dB(A)	112
K (uncertainty for the given sound level)	dB(A)	3
Vibration emission value $a_{rh} =$	$\text{m/s}^2$	13
Uncertainty K =	$\text{m/s}^2$	5.9

The vibration and/or noise emission level given in this information sheet has been measured in accordance with a standardised test given in EN62841 and may be used to compare one tool with another. It may be used for a preliminary assessment of exposure.



**WARNING:** *The declared vibration and/or noise emission level represents the main applications of the tool. However if the tool is used for different applications, with different accessories or poorly maintained, the vibration and/or noise emission may differ. This may significantly increase the exposure level over the total working period.*

*An estimation of the level of exposure to vibration and/or noise should also take into account the times when the tool is switched off or when it is running but not actually doing the job. This may significantly reduce the exposure level over the total working period.*

*Identify additional safety measures to protect the operator from the effects of vibration and/or noise such as: maintain the tool and the accessories, keep the hands warm (relevant for vibration), organisation of work patterns.*

### EC-DECLARATION OF CONFORMITY

#### Machinery Directive



#### 1/2" High Torque Impact Wrench BWP152

Mac Tools declares that these products described under **Technical Data** are in compliance with:

2006/42/EC, EN62841-1:2015, EN62841-2-2:2014.

These products also comply with Directive 2014/30/EU and 2011/65/EU. For more information, please contact Mac Tools at the following address or refer to the back of the manual.

The undersigned is responsible for compilation of the technical file and makes this declaration on behalf of Mac Tools.

Markus Rompel  
Vice-President Engineering, PTE-Europe  
MAC TOOLS  
Egide Walschaertsstraat 14-18  
2800 Mechelen, Belgium  
22.09.2021

### DECLARATION OF CONFORMITY

#### THE SUPPLY OF MACHINERY (SAFETY) REGULATIONS 2008



#### 1/2" High Torque Impact Wrench BWP152

MAC TOOLS declares that these products described under "technical data" are in compliance with:

The Supply of Machinery (Safety) Regulations, 2008, S.I. 2008/1597 (as amended), EN62841-1:2015, EN62841-2-2:2014.

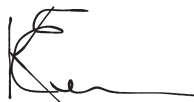
These products also conform to the following UK Regulations: Electromagnetic Compatibility Regulations, 2016, S.I.2016/1091 (as amended).

The Restriction of the Use of Certain Hazardous Substances in Electrical and Electronic Equipment Regulations 2012, S.I. 2012/3032 (as amended).

For more information, please contact MAC TOOLS at the following address or refer to the back of the manual.

Batteries				Chargers/Charge Times (Minutes)	
Cat #	V <sub>DC</sub>	Ah	Weight (kg)	MCB112	MCB115
MBR124	12	3.0	0.28	90	45
MBR127	12	2.0	0.23	60	30
MB200	18	3.0	0.64	90	45
MBR183	18	2.0	0.40	60	40
MBR184	18	5.0	0.70	150	75

The undersigned is responsible for compilation of the technical file and makes this declaration on behalf of MAC TOOLS.



Karl Evans

Vice President Professional Power Tools EANZ GTS

MAC TOOLS UK

270 Bath Road, Slough

SL1 4DX

England

22.09.2021



**WARNING:** To reduce the risk of injury, read the instruction manual.

## Definitions: Safety Guidelines

The definitions below describe the level of severity for each signal word. Please read the manual and pay attention to these symbols.



**DANGER:** Indicates an imminently hazardous situation which, if not avoided, **will** result in **death or serious injury**.



**WARNING:** Indicates a potentially hazardous situation which, if not avoided, **could** result in **death or serious injury**.



**CAUTION:** Indicates a potentially hazardous situation which, if not avoided, **may** result in **minor or moderate injury**.

**NOTICE:** Indicates a practice **not related to personal injury** which, if not avoided, **may** result in **property damage**.



Denotes risk of electric shock.



Denotes risk of fire.

## GENERAL POWER TOOL SAFETY WARNINGS



**WARNING:** Read all safety warnings, instructions, illustrations and specifications provided with this power tool. Failure to follow all instructions listed below may result in electric shock, fire and/or serious injury.

**SAVE ALL WARNINGS AND INSTRUCTIONS FOR FUTURE REFERENCE.**

The term "power tool" in the warnings refers to your mains-operated (corded) power tool or battery-operated (cordless) power tool.

### 1) Work Area Safety

- Keep work area clean and well lit.** Cluttered or dark areas invite accidents.
- Do not operate power tools in explosive atmospheres, such as in the presence of flammable liquids, gases or dust.** Power tools create sparks which may ignite the dust or fumes.
- Keep children and bystanders away while operating a power tool.** Distractions can cause you to lose control.

### 2) Electrical Safety

- Power tool plugs must match the outlet. Never modify the plug in any way. Do not use any adapter plugs with earthed (grounded) power tools.** Unmodified plugs and matching outlets will reduce risk of electric shock.
- Avoid body contact with earthed or grounded surfaces such as pipes, radiators, ranges and refrigerators.** There is an increased risk of electric shock if your body is earthed or grounded.
- Do not expose power tools to rain or wet conditions.** Water entering a power tool will increase the risk of electric shock.
- Do not abuse the cord. Never use the cord for carrying, pulling or unplugging the power tool. Keep cord away from heat, oil, sharp edges or moving parts.** Damaged or entangled cords increase the risk of electric shock.
- When operating a power tool outdoors, use an extension cord suitable for outdoor use.** Use of a cord suitable for outdoor use reduces the risk of electric shock.
- If operating a power tool in a damp location is unavoidable, use a residual current device (RCD) protected supply.** Use of an RCD reduces the risk of electric shock.

### 3) Personal Safety

- Stay alert, watch what you are doing and use common sense when operating a power tool. Do not use a power tool while you are tired or under the influence of drugs, alcohol or medication.** A moment of inattention while operating power tools may result in serious personal injury.
- Use personal protective equipment. Always wear eye protection.** Protective equipment such as a dust mask,

non-skid safety shoes, hard hat or hearing protection used for appropriate conditions will reduce personal injuries.

- c) **Prevent unintentional starting. Ensure the switch is in the off-position before connecting to power source and/or battery pack, picking up or carrying the tool.** Carrying power tools with your finger on the switch or energising power tools that have the switch on invites accidents.
- d) **Remove any adjusting key or wrench before turning the power tool on.** A wrench or a key left attached to a rotating part of the power tool may result in personal injury.
- e) **Do not overreach. Keep proper footing and balance at all times.** This enables better control of the power tool in unexpected situations.
- f) **Dress properly. Do not wear loose clothing or jewellery. Keep your hair and clothing away from moving parts.** Loose clothes, jewellery or long hair can be caught in moving parts.
- g) **If devices are provided for the connection of dust extraction and collection facilities, ensure these are connected and properly used.** Use of dust collection can reduce dust-related hazards.
- h) **Do not let familiarity gained from frequent use of tools allow you to become complacent and ignore tool safety principles.** A careless action can cause severe injury within a fraction of a second.

#### 4) Power Tool Use and Care

- a) **Do not force the power tool. Use the correct power tool for your application.** The correct power tool will do the job better and safer at the rate for which it was designed.
- b) **Do not use the power tool if the switch does not turn it on and off.** Any power tool that cannot be controlled with the switch is dangerous and must be repaired.
- c) **Disconnect the plug from the power source and/or remove the battery pack, if detachable, from the power tool before making any adjustments, changing accessories, or storing power tools.** Such preventive safety measures reduce the risk of starting the power tool accidentally.
- d) **Store idle power tools out of the reach of children and do not allow persons unfamiliar with the power tool or these instructions to operate the power tool.** Power tools are dangerous in the hands of untrained users.
- e) **Maintain power tools and accessories. Check for misalignment or binding of moving parts, breakage of parts and any other condition that may affect the power tool's operation. If damaged, have the power tool repaired before use.** Many accidents are caused by poorly maintained power tools.
- f) **Keep cutting tools sharp and clean.** Properly maintained cutting tools with sharp cutting edges are less likely to bind and are easier to control.
- g) **Use the power tool, accessories and tool bits, etc. in accordance with these instructions, taking into account the working conditions and the work to be**

**performed.** Use of the power tool for operations different from those intended could result in a hazardous situation.

- h) **Keep handles and grasping surfaces dry, clean and free from oil and grease.** Slippery handles and grasping surfaces do not allow for safe handling and control of the tool in unexpected situations.

#### 5) Battery Tool Use and Care

- a) **Recharge only with the charger specified by the manufacturer.** A charger that is suitable for one type of battery pack may create a risk of fire when used with another battery pack.
- b) **Use power tools only with specifically designated battery packs.** Use of any other battery packs may create a risk of injury and fire.
- c) **When battery pack is not in use, keep it away from other metal objects, like paper clips, coins, keys, nails, screws or other small metal objects, that can make a connection from one terminal to another.** Shorting the battery terminals together may cause burns or a fire.
- d) **Under abusive conditions, liquid may be ejected from the battery; avoid contact. If contact accidentally occurs, flush with water. If liquid contacts eyes, additionally seek medical help.** Liquid ejected from the battery may cause irritation or burns.
- e) **Do not use a battery pack or tool that is damaged or modified.** Damaged or modified batteries may exhibit unpredictable behaviour resulting in fire, explosion or risk of injury.
- f) **Do not expose a battery pack or tool to fire or excessive temperature.** Exposure to fire or temperature above 130 °C may cause explosion.
- g) **Follow all charging instructions and do not charge the battery pack or tool outside the temperature range specified in the instructions.** Charging improperly or at temperatures outside the specified range may damage the battery and increase the risk of fire.

#### 6) Service

- a) **Have your power tool serviced by a qualified repair person using only identical replacement parts.** This will ensure that the safety of the power tool is maintained.
- b) **Never service damaged battery packs.** Service of battery packs should only be performed by the manufacturer or authorized service providers.

#### Additional Specific Safety Rules

- **Hold the power tool by insulated gripping surfaces, when performing an operation where the fastener may contact hidden wiring.** Fasteners contacting a "live" wire may make exposed metal parts of the power tool "live" and could give the operator an electric shock.
- **Use clamps or other practical way to secure and support the workpiece to a stable platform.** Holding the work by hand or against your body is unstable and may lead to loss of control.

- **Wear safety goggles or other eye protection.** Hammering and drilling operations cause chips to fly. Flying particles can cause permanent eye damage.
- **Accessories and tools get hot during operation.** Wear gloves when touching them.
- **Air vents often cover moving parts and should be avoided.** Loose clothes, jewelry or long hair can be caught in moving parts.
- **Do not operate this tool for long periods of time.** Vibration caused by tool action may be harmful to your hands and arms. Use gloves to provide extra cushion and limit exposure by taking frequent rest periods.

## Residual Risks

In spite of the application of the relevant safety regulations and the implementation of safety devices, certain residual risks cannot be avoided. These are:

- Impairment of hearing.
- Risk of personal injury due to flying particles.
- Risk of burns due to accessories becoming hot during operation.
- Risk of personal injury due to prolonged use.

### SAVE THESE INSTRUCTIONS

## Chargers

Mac Tools chargers require no adjustment and are designed to be as easy as possible to operate.

### Electrical Safety

The electric motor has been designed for one voltage only. Always check that the battery pack voltage corresponds to the voltage on the rating plate. Also make sure that the voltage of your charger corresponds to that of your mains.



Your Mac Tools charger is double insulated in accordance with EN60335; therefore no earth wire is required.

If the supply cord is damaged, it must be replaced only by Mac Tools or an authorised service organisation.

### Mains Plug Replacement (U.K. & Ireland Only)

If a new mains plug needs to be fitted:

- Safely dispose of the old plug.
- Connect the brown lead to the live terminal in the plug.
- Connect the blue lead to the neutral terminal.



**WARNING:** No connection is to be made to the earth terminal.

Follow the fitting instructions supplied with good quality plugs. Recommended fuse: 3 A.

### Using an Extension Cable

An extension cord should not be used unless absolutely necessary. Use an approved extension cable suitable for the power input of your charger (see **Technical Data**). The minimum conductor size is 1 mm<sup>2</sup>; the maximum length is 30 m.

When using a cable reel, always unwind the cable completely.

## Important Safety Instructions for All Battery Chargers

**SAVE THESE INSTRUCTIONS:** This manual contains important safety and operating instructions for compatible battery chargers (refer to **Technical Data**).

- Before using charger, read all instructions and cautionary markings on charger, battery pack, and product using battery pack.



**WARNING:** Shock hazard. Do not allow any liquid to get inside charger. Electric shock may result.



**WARNING:** We recommend the use of a residual current device with a residual current rating of 30mA or less.



**CAUTION:** Burn hazard. To reduce the risk of injury, charge only Mac Tools rechargeable batteries. Other types of batteries may burst causing personal injury and damage.



**CAUTION:** Children should be supervised to ensure that they do not play with the appliance.

**NOTICE:** Under certain conditions, with the charger plugged into the power supply, the exposed charging contacts inside the charger can be shorted by foreign material. Foreign materials of a conductive nature such as, but not limited to, steel wool, aluminum foil or any buildup of metallic particles should be kept away from charger cavities. Always unplug the charger from the power supply when there is no battery pack in the cavity. Unplug charger before attempting to clean

- **DO NOT attempt to charge the battery pack with any chargers other than the ones in this manual.** The charger and battery pack are specifically designed to work together.
- **These chargers are not intended for any uses other than charging Mac Tools rechargeable batteries.** Any other uses may result in risk of fire, electric shock or electrocution.
- **Do not expose charger to rain or snow.**
- **Pull by plug rather than cord when disconnecting charger.** This will reduce risk of damage to electric plug and cord.
- **Make sure that cord is located so that it will not be stepped on, tripped over, or otherwise subjected to damage or stress.**
- **Do not use an extension cord unless it is absolutely necessary.** Use of improper extension cord could result in risk of fire, electric shock, or electrocution.
- **Do not place any object on top of charger or place the charger on a soft surface that might block the ventilation slots and result in excessive internal heat.** Place the charger in a position away from any heat source. The charger is ventilated through slots in the top and the bottom of the housing.
- **Do not operate charger with damaged cord or plug—** have them replaced immediately.
- **Do not operate charger if it has received a sharp blow, been dropped, or otherwise damaged in any way.** Take it to an authorised service centre.

- **Do not disassemble charger; take it to an authorised service centre when service or repair is required.** *Incorrect reassembly may result in a risk of electric shock, electrocution or fire.*
- *In case of damaged power supply cord the supply cord must be replaced immediately by the manufacturer, its service agent or similar qualified person to prevent any hazard.*
- **Disconnect the charger from the outlet before attempting any cleaning. This will reduce the risk of electric shock.** *Removing the battery pack will not reduce this risk.*
- **NEVER attempt to connect two chargers together.**
- **The charger is designed to operate on standard 230V household electrical power. Do not attempt to use it on any other voltage.** *This does not apply to the vehicular charger.*







## Charging a Battery

1. Plug the charger into an appropriate outlet before inserting battery pack.
2. Insert the battery pack **6** into the charger, making sure the battery pack is fully seated in the charger. The red (charging) light will blink repeatedly indicating that the charging process has started.
3. The completion of charge will be indicated by the red light remaining ON continuously. The battery pack is fully charged and may be used at this time or left in the charger. To remove the battery pack from the charger, push the battery release button **5** on the battery pack.

**NOTE:** To ensure maximum performance and life of lithium-ion battery packs, charge the battery pack fully before first use.

## Charger Operation

Refer to the indicators below for the charge status of the battery pack.

Charge Indicators		
	Charging	
	Fully Charged	
	Hot/Cold Pack Delay*	

\*The red light will continue to blink, but a yellow indicator light will be illuminated during this operation. Once the battery pack has reached an appropriate temperature, the yellow light will turn off and the charger will resume the charging procedure. The compatible charger(s) will not charge a faulty battery pack. The charger will indicate faulty battery by refusing to light.

**NOTE:** This could also mean a problem with a charger.

If the charger indicates a problem, take the charger and battery pack to be tested at an authorised service centre.

## Hot/Cold Pack Delay

When the charger detects a battery pack that is too hot or too cold, it automatically starts a Hot/Cold Pack Delay, suspending charging until the battery pack has reached an appropriate temperature. The charger then automatically switches to the

pack charging mode. This feature ensures maximum battery pack life.

A cold battery pack will charge at a slower rate than a warm battery pack. The battery pack will charge at that slower rate throughout the entire charging cycle and will not return to maximum charge rate even if the battery pack warms.

## Electronic Protection System

XR Li-Ion tools are designed with an Electronic Protection System that will protect the battery pack against overloading, overheating or deep discharge.

The tool will automatically turn off if the Electronic Protection System engages. If this occurs, place the lithium-ion battery pack on the charger until it is fully charged.

## Wall Mounting

These chargers are designed to be wall mountable or to sit upright on a table or work surface. If wall mounting, locate the charger within reach of an electrical outlet, and away from a corner or other obstructions which may impede air flow. Use the back of the charger as a template for the location of the mounting screws on the wall. Mount the charger securely using drywall screws (purchased separately) at least 25.4 mm long with a screw head diameter of 7–9 mm, screwed into wood to an optimal depth leaving approximately 5.5 mm of the screw exposed. Align the slots on the back of the charger with the exposed screws and fully engage them in the slots.

## Charger Cleaning Instructions

**WARNING: Shock hazard. Disconnect the charger from the AC outlet before cleaning.** *Dirt and grease may be removed from the exterior of the charger using a cloth or soft non-metallic brush. Do not use water or any cleaning solutions. Never let any liquid get inside the tool; never immerse any part of the tool into a liquid.*

## Battery Packs

### Important Safety Instructions for All Battery Packs

When ordering replacement battery packs, be sure to include catalogue number and voltage.

The battery pack is not fully charged out of the carton. Before using the battery pack and charger, read the safety instructions below. Then follow charging procedures outlined.

### READ ALL INSTRUCTIONS

- **Do not charge or use battery in explosive atmospheres, such as in the presence of flammable liquids, gases or dust.** *Inserting or removing the battery from the charger may ignite the dust or fumes.*
- **Never force battery pack into charger. Do not modify battery pack in any way to fit into a non-compatible charger as battery pack may rupture causing serious personal injury.**
- *Charge the battery packs only in designated Mac Tools or DEWALT chargers.*
- **DO NOT splash or immerse in water or other liquids.**



- **Do not store or use the tool and battery pack in locations where the temperature may fall below 4 °C (34 °F) (such as outside sheds or metal buildings in winter), or reach or exceed 40 °C (104 °F) (such as outside sheds or metal buildings in summer).**
- **Do not incinerate the battery pack even if it is severely damaged or is completely worn out.** The battery pack can explode in a fire. Toxic fumes and materials are created when lithium-ion battery packs are burned.
- **If battery contents come into contact with the skin, immediately wash area with mild soap and water.** If battery liquid gets into the eye, rinse water over the open eye for 15 minutes or until irritation ceases. If medical attention is needed, the battery electrolyte is composed of a mixture of liquid organic carbonates and lithium salts.
- **Contents of opened battery cells may cause respiratory irritation.** Provide fresh air. If symptoms persists, seek medical attention.



**WARNING:** Burn hazard. Battery liquid may be flammable if exposed to spark or flame.



**WARNING:** Never attempt to open the battery pack for any reason. If battery pack case is cracked or damaged, do not insert into charger. Do not crush, drop or damage battery pack. Do not use a battery pack or charger that has received a sharp blow, been dropped, run over or damaged in any way (i.e., pierced with a nail, hit with a hammer, stepped on). Electric shock or electrocution may result. Damaged battery packs should be returned to service centre for recycling.



**WARNING: Fire hazard. Do not store or carry the battery pack so that metal objects can contact exposed battery terminals.** For example, do not place the battery pack in aprons, pockets, tool boxes, product kit boxes, drawers, etc., with loose nails, screws, keys, etc.



**CAUTION: When not in use, place tool on its side on a stable surface where it will not cause a tripping or falling hazard.** Some tools with large battery packs will stand upright on the battery pack but may be easily knocked over.

## Transportation



**WARNING: Fire hazard.** Transporting batteries can possibly cause fire if the battery terminals inadvertently come in contact with conductive materials. When transporting batteries, make sure that the battery terminals are protected and well insulated from materials that could contact them and cause a short circuit.

**NOTE:** Lithium-ion batteries should not be put in checked baggage.

Mac Tools batteries comply with all applicable shipping regulations as prescribed by industry and legal standards which include UN Recommendations on the Transport of Dangerous Goods; International Air Transport Association (IATA) Dangerous Goods Regulations, International Maritime Dangerous Goods (IMDG) Regulations, and the European Agreement Concerning The International Carriage of Dangerous Goods by Road (ADR). Lithium-ion cells and batteries have been tested to section 38.3

of the UN Recommendations on the Transport of Dangerous Goods Manual of Tests and Criteria.

In most instances, shipping a Mac Tools battery pack will be excepted from being classified as a fully regulated Class 9 Hazardous Material. In general, only shipments containing a lithium-ion battery with an energy rating greater than 100 Watt Hours (Wh) will require being shipped as fully regulated Class 9. All lithium-ion batteries have the Watt Hour rating marked on the pack. Furthermore, due to regulation complexities, Mac Tools does not recommend air shipping lithium-ion battery packs alone regardless of Watt Hour rating. Shipments of tools with batteries (combo kits) can be air shipped as excepted if the Watt Hour rating of the battery pack is no greater than 100 Whr.

Regardless of whether a shipment is considered excepted or fully regulated, it is the shipper's responsibility to consult the latest regulations for packaging, labeling/marketing and documentation requirements.

The information provided in this section of the manual is provided in good faith and believed to be accurate at the time the document was created. However, no warranty, expressed or implied, is given. It is the buyer's responsibility to ensure that its activities comply with the applicable regulations.

## Labels on Charger and Battery Pack

In addition to the pictographs used in this manual, the labels on the charger and the battery pack may show the following pictographs:



Read instruction manual before use.



See **Technical Data** for charging time.



Do not probe with conductive objects.



Do not charge damaged battery packs.



Do not expose to water.



Have defective cords replaced immediately.



Charge only between 4 °C and 40 °C.



Only for indoor use.



Discard the battery pack with due care for the environment.

LI-ION



Charge Mac Tools battery packs only with designated Mac Tools chargers. Charging battery packs other than the designated Mac Tools batteries with a Mac Tools charger may make them burst or lead to other dangerous situations.



Do not incinerate the battery pack.

## Battery Type

The BWP152 operates on an 18 volt battery pack.

These battery packs may be used: MBR183, MBR184. Refer to **Technical Data** for more information.

## Package Contents

The package contains:

- 1 Impact wrench
- 1 Charger
- 2 Batteries
- 1 Instruction manual

**NOTE:** Battery packs, chargers and kitboxes are not included with N models. Battery packs and chargers are not included with NT models. B models include Bluetooth® battery packs.

**NOTE:** The Bluetooth® word mark and logos are registered trademarks owned by the Bluetooth®, SIG, Inc. and any use of such marks by MAC TOOLS is under license. Other trademarks and trade names are those of their respective owners.

- Check for damage to the tool, parts or accessories which may have occurred during transport.
- Take the time to thoroughly read and understand this manual prior to operation.

## Markings on Tool

The following pictograms are shown on the tool:



Read instruction manual before use.



Wear ear protection.



Wear eye protection.



Visible radiation. Do not stare into light.

## Date Code Position (Fig. A)

The date code **10**, which also includes the year of manufacture, is printed into the housing.

Example:

2021 XX XX  
Year of Manufacture

## Description (Fig. A)



**WARNING:** Never modify the power tool or any part of it. Damage or personal injury could result.

- 1 Trigger switch
- 2 Forward/reverse control button
- 3 Anvil
- 4 Main handle
- 5 Battery release button
- 6 Battery pack
- 7 Worklight
- 8 Hog ring
- 9 Mode selector
- 10 Date code

## Intended Use

Your impact wrench has been designed for professional impact fastening applications. The impact function makes this tool particularly useful for driving fasteners in wood, metal and concrete.

**DO NOT** use under wet conditions or in the presence of flammable liquids or gases.

These heavy-duty impact wrenches are professional power tools.

**DO NOT** let children come into contact with the tool. Supervision is required when inexperienced operators use this tool.

- **Young children and the infirm.** This appliance is not intended for use by young children or infirm persons without supervision.
- This product is not intended for use by persons (including children) suffering from diminished physical, sensory or mental abilities; lack of experience, knowledge or skills unless they are supervised by a person responsible for their safety. Children should never be left alone with this product.

## ASSEMBLY AND ADJUSTMENTS



**WARNING:** To reduce the risk of serious personal injury, turn tool off and disconnect battery pack before making any adjustments or removing/installing attachments or accessories. An accidental start-up can cause injury.



**WARNING:** Use only Mac Tools battery packs and chargers.

## Inserting and Removing the Battery Pack from the Tool (Fig. B)

**NOTE:** Make sure your battery pack **6** is fully charged.

### To Install the Battery Pack into the Tool Handle

1. Align the battery pack **6** with the rails inside the tool's handle (Fig. B).
2. Slide it into the handle until the battery pack is firmly seated in the tool and ensure that you hear the lock snap into place.

## To Remove the Battery Pack from the Tool

1. Press the release button **5** and firmly pull the battery pack out of the tool handle.
2. Insert battery pack into the charger as described in the charger section of this manual.

## Fuel Gauge Battery Packs (Fig. A)

Some Mac Tools battery packs include a fuel gauge which consists of three green LED lights that indicate the level of charge remaining in the battery pack.

To actuate the fuel gauge, press and hold the fuel gauge button. A combination of the three green LED lights will illuminate designating the level of charge left. When the level of charge in the battery is below the usable limit, the fuel gauge will not illuminate and the battery will need to be recharged.

**NOTE:** The fuel gauge is only an indication of the charge left on the battery pack. It does not indicate tool functionality and is subject to variation based on product components, temperature and end-user application.

## Variable Speed Trigger Switch (Fig. A)

To turn the tool on, squeeze the trigger switch **1**. To turn the tool off, release the trigger switch. Your tool is equipped with a brake. The anvil will stop when the trigger switch is fully released. The variable speed switch enables you to select the best speed for a particular application. The more you squeeze the trigger, the faster the tool will operate. For maximum tool life, use variable speed only for starting holes or fasteners.

**NOTE:** Continuous use in variable speed range is not recommended. It may damage the switch and should be avoided.

## Forward/Reverse Control Button (Fig. A)

A forward/reverse control button **2** determines the direction of the tool and also serves as a lock off button. To select forward rotation, release the trigger switch and depress the forward/reverse control button on the right side of the tool. To select reverse, depress the forward/reverse control button on the left side of the tool. The center position of the control button locks the tool in the off position. When changing the position of the control button, be sure the trigger is released.

**NOTE:** The first time the tool is run after changing the direction of rotation, you may hear a click on start up. This is normal and does not indicate a problem.

## OPERATION

### Instructions for Use



**WARNING:** Always observe the safety instructions and applicable regulations.



**WARNING:** To reduce the risk of serious personal injury, turn tool off and disconnect battery pack before making any adjustments or removing/installing attachments or accessories. An accidental start-up can cause injury.

## Proper Hand Position (Fig. C)



**WARNING:** To reduce the risk of serious personal injury, ALWAYS use proper hand position as shown.



**WARNING:** To reduce the risk of serious personal injury, ALWAYS hold securely in anticipation of a sudden reaction.

Proper hand position requires one hand on the main handle **4**.

## Worklight (Fig. A)

There is a worklight **7** located on the foot of the tool. The worklight is activated when the trigger switch is depressed, and will automatically turn off 20 seconds after the trigger switch is released. If the trigger switch remains depressed, the worklight will remain on.

**NOTE:** The worklight is for lighting the immediate work surface and is not intended to be used as a flashlight.

## Mode Selector (Fig. A, D)

Your tool is equipped with a mode selector **9** which allows you to select one of two speeds or the Impact Assist mode. Select the speed/mode based on the application and control the speed of the tool using the variable speed trigger switch **1**.

## Impact Assist™ (Fig. D)

In addition to normal impacting modes, this tool features the Impact Assist™ mode which grants the user greater control in both fastening and loosening applications. To enable Impact Assist mode, place the mode selector on the foot of the tool in the middle position. When in Impact Assist mode and operating in forward, the tool will fasten at 1900 RPM until impact begins. The tool will then pause for 0.75 seconds before continuing to impact at a rate of 2400 IPM, providing the user with greater control and reducing the chance of overtightening or damaging material.

When operating in reverse, the tool will impact at a normal speed and rate of 2400 IPM. Upon sensing that the fastener has broken free, the tool will cease to impact and will reduce speed to help prevent “run-off” of loose hardware.

### MODE SELECTION

Low Mode	Normal Impacting	RPM	0–400
High Mode	High Speed Impacting	RPM	0–1900
Impact Assist Mode	Impact Assist	RPM	0–1900

## Anvil with Hog Ring (Fig. A)



**WARNING:** Use only impact accessories. Non-impact accessories may break and cause a hazardous condition. Inspect accessories prior to use to ensure that it contains no cracks.



**CAUTION:** Inspect anvils and hog rings prior to use. Missing or damaged items should be replaced before use.



**CAUTION:** Place the switch in the locked off (center) position and remove battery pack before changing accessories.

To install an accessory on the hog ring anvil, firmly push accessory onto the anvil **3**. The hog ring **8** compresses to allow

the accessory to slide on. After the accessory is installed, the hog ring applies pressure to help provide accessory retention.

**To remove an accessory**, grasp the socket and firmly pull it off.

## Operating the Wrench



**CAUTION:** Ensure fastener and/or system will withstand the level of torque generated by the tool. Excessive torque may cause breakage and possible personal injury.

- Place the socket on the fastener head. Keep the tool pointed straight at the fastener.
- Press switch to start operation. Always check torque with a torque wrench, as the fastening torque is affected by many factors including the following:
  - Voltage: Low voltage, due to a nearly discharged battery, will reduce fastening torque.
  - Socket size: Failure to use the correct socket size will cause a reduction in fastening torque.
  - Bolt Size: Larger bolt diameters generally require higher fastening torque. Fastening torque will also vary according to length, grade, and torque coefficient.
  - Bolt: Ensure that all threads are free of rust and other debris to allow proper fastening torque.
  - Material: The type of material and surface finish of the material will affect fastening torque.
  - Fastening Time: Longer fastening time results in increased fastening torque. Using a longer fastening time than recommended could cause the fasteners to be overstressed, stripped or damaged.

## MAINTENANCE

Your Mac Tools power tool has been designed to operate over a long period of time with a minimum of maintenance. Continuous satisfactory operation depends upon proper tool care and regular cleaning.



**WARNING:** To reduce the risk of serious personal injury, turn tool off and disconnect battery pack before making any adjustments or removing/ installing attachments or accessories. An accidental start-up can cause injury.

The charger and battery pack are not serviceable.



## Lubrication

Your power tool requires no additional lubrication.



## Cleaning



**WARNING:** Blow dirt and dust out of the main housing with dry air as often as dirt is seen collecting in and around the air vents. Wear approved eye protection and approved dust mask when performing this procedure.



**WARNING:** Never use solvents or other harsh chemicals for cleaning the non-metallic parts of the tool. These chemicals may weaken the materials used in these parts.

Use a cloth dampened only with water and mild soap. Never let any liquid get inside the tool; never immerse any part of the tool into a liquid.

## Optional Accessories



**WARNING:** Since accessories, other than those offered by Mac Tools, have not been tested with this product, use of such accessories with this tool could be hazardous. To reduce the risk of injury, only Mac Tools recommended accessories should be used with this product.

Consult your dealer for further information on the appropriate accessories.

## Protecting the Environment



Separate collection. Products and batteries marked with this symbol must not be disposed of with normal household waste.

Products and batteries contain materials that can be recovered or recycled reducing the demand for raw materials. Please recycle electrical products and batteries according to local provisions. Further information is available at [www.2helpU.com](http://www.2helpU.com).

## Rechargeable Battery Pack

This long life battery pack must be recharged when it fails to produce sufficient power on jobs which were easily done before. At the end of its technical life, discard it with due care for our environment:

- Run the battery pack down completely, then remove it from the tool.
- Li-Ion cells are recyclable. Take them to your dealer or a local recycling station. The collected battery packs will be recycled or disposed of properly.

# 1/2" HØYMOMENT SLAGTREKKER

## BWP152

### Gratulerer!

Du har valgt et Mac Tools-verktøy. Mange års erfaring, grundig produktutvikling og innovasjon gjør Mac Tools til en meget pålitelig partner for profesjonelle brukere av elektrisk verktøy.

### Tekniske data

		BWP152
Spenning	V <sub>DC</sub>	18
Type		4
Batteritype		Li-Ion
Nubelestet hastighet	rpm	0–400 0–1900 0–1900
Slaghastighet	min <sup>-1</sup>	0–2400
Max utbryter dreiemoment	Nm	950
Vekt (uten batteripakke)	kg	2,6
Støyverdier og vibrasjonsverdier (triax vektor sum) i henhold til EN 62841-2-2:		
L <sub>PA</sub> (lydtrykksnivå)	dB(A)	101
L <sub>WA</sub> (lydeffektnivå)	dB(A)	112
K (usikkerhet for det angitte støynivå)	dB(A)	3
Verdi vibrasjonsutslipp a <sub>h</sub> =		
	m/s <sup>2</sup>	13
Usikkerhet K =	m/s <sup>2</sup>	5,9

Nivå for vibrasjons og/eller støytutslipp angitt i dette informasjonsbladet er blitt målt iht. standardiserte test gitt i EN62841, og kan brukes til å sammenligne ett verktøy med et annet. Det kan brukes til forberedende vurdering av eksponering.

**⚠ ADVARSEL:** Angitt nivå for vibrasjons og/eller støytutslipp gjelder for hovedbruksområdene for verktøyet. Dersom verktøyet brukes i andre bruksområder, med annet tilbehør eller er dårlig vedlikeholdt, kan vibrasjon og/eller støytutslipp avvike. Dette kan øke eksponeringsnivået betydelig for hele arbeidsperioden.

En vurdering av eksponeringsnivået for vibrasjon og/eller støy bør også tas med i beregningen når verktøyet er slått av eller når det går uten faktisk å gjøre en jobb. Dette kan redusere eksponeringsnivået betydelig for hele arbeidsperioden.

Kartlegg ekstra sikkerhetstiltak for beskyttelse av brukeren mot støy og/eller vibrasjonseffekter, så som vedlikehold av verktøy og tilbehør, holde hendene varme (relevant for vibrasjoner), organisering av arbeidsvanene.

### Overensstemmelseserklæring med EU

#### Maskineridirektiv



#### 1/2" Høymoment slagtrekker BWP152

Mac Tools erklærer at de produktene som er beskrevet under **Tekniske data** er i samsvar med: 2006/42/EU, EN62841-1:2015, EN62841-2-2:2014.

Disse produktene samsvarer også med direktiv 2014/30/EF og 2011/65/EF. For mer informasjon, vennligst kontakt Mac Tools på følgende adresser eller se baksiden av håndboken.

Undertegnede er ansvarlig for sammenstillingen av den tekniske filen og fremsetter denne erklæringen på vegne av Mac Tools.

Markus Rompel  
Visedirektør for teknisk arbeid, PTE-Europa  
MAC TOOLS,  
Egide Walschaertsstraat 14-18  
2800 Mechelen, Belgia  
22.09.2021



**ADVARSEL:** Les bruksanvisningen slik at skaderisikoene kan reduseres.

### Definisjoner: Retningslinjer for sikkerhet

Definisjonene nedenfor beskriver alvorlighetsnivået de enkelte signalordene er. Les brukerhåndboken og vær spesielt oppmerksom på disse symbolene.



**FARE:** Angir en eksisterende farlig situasjon som, og hvis den ikke unngås, vil føre til **dødsfall eller alvorlig personskade**.



**ADVARSEL:** Angir en potensielt farlig situasjon som, og hvis den ikke unngås, kan føre til **dødsfall eller alvorlig personskade**.



**FORSIKTIG:** Angir en potensielt farlig situasjon som, og hvis den ikke unngås, kan føre til **mindre eller moderat personskade**.

**MERK:** Angir en arbeidsmåte som ikke er relatert til personskader, men som kan føre til **skader på utstyr hvis den ikke unngås**.



Angir fare for elektrisk støt.



Angir brannfare.

Batterier				Ladere/Ladetider (i minutter)	
Kat #	V <sub>DC</sub>	Ah	Vekt (kg)	MCB112	MCB115
MBR124	12	3,0	0,28	90	45
MBR127	12	2,0	0,23	60	30
MB200	18	3,0	0,64	90	45
MBR183	18	2,0	0,40	60	40
MBR184	18	5,0	0,70	150	75

## Generelle sikkerhetsadvarsler for elektriske verktøy



**ADVARSEL:** Les alle sikkerhetsanvisninger, instruksjoner, illustrasjoner og spesifikasjoner som følger dette elektriske verktøyet. Manglende overholdelse av instruksjonene som er listet opp under kan resultere i elektrosjokk, ild og/eller alvorlig skade.

### TA VARE PÅ ALLE ADVARSLER OG INSTRUKSJONER FOR FREMTIDIG BRUK

Uttrykket "elektrisk verktøy" i advarslene henviser til ditt strømdrevne (med ledning) elektriske verktøy eller ditt batteridrevne (uten ledning) elektriske verktøy.

#### 1) Sikkerhet på arbeidsområdet

- Hold arbeidsområdet godt opplyst.** Rotete eller mørke områder er en invitasjon til ulykker.
- Ikke bruk elektriske verktøy i eksplosive omgivelser, slik som i nærheten av antenkelige væsker, gasser eller støv.** Elektrisk verktøy skaper gnister som kan antenne støv eller gasser.
- Hold barn og tilskuere borte mens du bruker et elektrisk verktøy.** Distraksjoner kan føre til at du mister kontrollen.

#### 2) Elektrisk sikkerhet

- Støpselet til elektriske verktøy må passe til stikkkontakten. Aldri modifier støpselet på noen måte. Ikke bruk adaptere med jodede elektriske verktøy.** Umodifiserte støpsler og stikkontakter som passer vil redusere risikoen for elektrisk sjokk.
- Unngå kroppskontakt med jordete overflater slik som rør, radiatorer, komfyrer og kjøleskap.** Det finnes en økt risiko for elektrisk sjokk dersom kroppen din er jordet.
- Ikke eksponer elektriske verktøy for regn eller våte forhold.** Dersom det kommer vann inn i et elektrisk verktøy vil det øke risikoen for elektrisk sjokk.
- Ikke bruk ledningen feil. Aldri bruk ledningen til å bære, trekke eller dra ut støpselet til det elektriske verktøyet. Hold ledningen borte fra varme, olje, skarpe kanter eller bevegelige deler.** Skadede eller innviklede ledninger øker risikoen for elektrisk sjokk.
- Når du bruker et elektrisk verktøy utendørs, bruk en skjøteledning som er egnet for utendørs bruk.** Bruk av en skjøteledning beregnet for utendørs bruk reduserer risikoen for elektrisk sjokk.

- Dersom bruk av et elektrisk verktøy på et fuktig sted er uunngåelig, bruk en strømkilde med jordfeilbryter (RCD).** Bruk av jordfeilbryter (RCD) reduserer risikoen for elektrisk sjokk.

#### 3) Personlig sikkerhet

- Hold deg våken, hold øye med det du gjør og bruk sunn fornuft når du bruker et elektrisk verktøy. Ikke bruk et elektrisk verktøy dersom du er trøtt eller er påvirket av medikamenter, narkotika eller alkohol.** Ett øyeblikks uoppmerksomhet under bruk av elektriske verktøy kan føre til alvorlig personskade.
- Bruk personlig verneutstyr. Bruk alltid vernebriller.** Verneutstyr slik som støvmaske, sklisliske vernesko, hjelm, eller hørselsvern brukt under passende forhold vil redusere personskader.
- Unngå utilsikket oppstart. Sikre at bryteren er i av-stillingen før du kobler til strømkilden og/eller batteripakken, plukker opp eller bærer verktøyet.** Å bære elektriske verktøy med fingeren på bryteren eller å sette inn støpselet mens elektriske verktøy har bryteren på øker faren for ulykker.
- Fjern eventuelle justeringsnøkler før du slår på det elektriske verktøyet.** En nøkkel som er festet til en roterende del av det elektriske verktøyet kan føre til personskade.
- Ikke strekk deg for langt. Ha godt fotfeste og stå støtt hele tiden.** Dette fører til at du har bedre kontroll over det elektriske verktøyet ved uventede situasjoner.
- Bruk egnet antrekk. Ikke ha på deg løstsittende klær eller smykker. Hold hår og klær unna bevegelige deler.** Løstsittende antrekk, smykker eller langt hår kan bli fanget opp av bevegelige deler.
- Hvis apparatet er utstyrt for tilkobling av støvutsugings- og -oppsamlingsinnretning, må du sørge for at disse er koblet til og ordentlig sikret.** Bruk av støvoppsamlere kan redusere støvrelaterte farer.
- Ikke la kunnskap som du har fått fra hyppig bruk av verktøy la deg bli for selvsikker slik at du ignorerer verktøyet sikkerhetsprinsipper.** En tankeløs handling kan føre til alvorlig personskade på brøkdelen av et sekund.

#### 4) Bruk og vedlikehold av elektriske verktøy

- Ikke bruk kraft på verktøyet. Bruk det elektriske verktøyet som situasjonen krever.** Det riktige elektriske

verktøyet vil gjøre jobben bedre og tryggere ved den hastigheten det ble konstruert for.

- b) **Ikke bruk verktøyet hvis bryteren ikke kan slå verktøyet av eller på.** Ethvert elektrisk verktøy som ikke kan kontrolleres med bryteren er farlig og må repareres.
- c) **Koble støpselet fra strømkilden og/eller ta batteripakken av det elektriske verktøyet, hvis den er avtakbar, før du foretar noen justeringer, endrer tilbehør eller lagrer elektriske verktøy.** Slike preventive sikkerhetsforanstaltninger reduserer risikoen for å starte det elektriske verktøyet ved et uhell.
- d) **Lagre elektriske verktøy som ikke er i bruk, utligngelig for barn og la ikke personer som ikke er kjent med det elektriske verktøyet eller disse instruksjonene bruke det.** Elektriske verktøy er farlige i hendene på utrenede brukere.
- e) **Vedlikehold verktøy og tilbehør. Kontroller om bevegelige deler er feiljustert eller fastskjært, om deler er ødelagt eller andre forhold som kan påvirke driften av verktøyet. Dersom det er skadet, få verktøyet reparert før neste bruk.** Mange ulykker forårsakes av dårlig vedlikeholdte verktøy.
- f) **Hold skjæreverktøy skarpe og rene.** Godt vedlikeholdte skjæreverktøy med skarpe skjærekanten setter seg mindre sannsynlig fast og er lettere å kontrollere.
- g) **Bruk verktøyet, tilbehørene og bittene, osv., i samsvar med disse instruksjonene og ta i betraktning arbeidsforholdene og det arbeidet som skal utføres.** Bruk av det elektriske verktøyet for oppgaver som er forskjellige fra de som er tiltenkt kan føre til en farlig situasjon.
- h) **Hold håndtakene og gripeflatene tørre, rene og frie for olje og fett.** Glatte håndtak og gripeområder gir utrygg håndtering og manglende kontroll over verktøyet i uventede situasjoner.

## 5) Bruk og vedlikehold av batteridrevne verktøy

- a) **Bruk kun laderen som er spesifisert av produsenten.** En lader som passer for en type batteripakke kan føre til brannfare dersom den brukes med en annen batteripakke.
- b) **Bruk kun elektriske verktøy sammen med de spesifiserte batteripakkene.** Bruk av andre batteripakker kan skape risiko for skader eller brann.
- c) **Når batteripakken ikke er i bruk, hold den borte fra andre metallobjekter som binders, mynter, nøkler, spikere, skruer eller andre små metallobjekter som kan skape en forbindelse fra en batteripol til en annen.** Å kortslutte batteripolene kan føre til brannskader eller brann.
- d) **Ved hardhendt behandling kan det komme væske ut fra batteriet. Unngå kontakt med denne. Dersom du ved et uhell kommer i kontakt med væsken, skyll med vann. Dersom du får væsken i øynene, oppsøk lege umiddelbart.** Batterivæske kan føre til irritasjon eller forbrenninger.

- e) **Ikke bruk en batteripakke eller verktøy som er skadet eller modifisert.** Skadede eller modifiserte batterier kan oppføre seg uforutsigbart og føre til brann, eksplosjon eller fare for personskade.
- f) **Ikke utsett en batteripakke eller et verktøy for ild eller for høy temperatur.** Ild eller temperatur over 130 °C kan føre til en eksplosjon.
- g) **Følg alle anvisninger for lading og lad ikke batteripakken eller verktøyet ved temperaturer som avviker fra området spesifisert i bruksanvisningen.** Feilaktig lading eller lading ved temperaturer utenfor det angitte område kan skade batteriet og øker brannfaren.

## 6) Vedlikehold

- a) **Få det elektriske verktøyet ditt vedlikeholdt av en kvalifisert reparatør som kun bruker originale reservedeler.** Dette vil sikre at verktøyet sikkerhet blir ivarettatt.
- b) **Utfør aldri vedlikehold på skadede batteripakker.** Vedlikehold av batteripakker skal kun utføres av produsenten eller autoriserte serviceverksteder.

## Ekstra sikkerhetsregler spesielt for slagtrekkere

- **Hold det elektriske verktøyet kun i isolerte gripeoverflater når du utfører operasjoner hvor skruen kan komme i kontakt med skjulte ledninger.** Skrue som kommer i kontakt med en strømførende ledning kan føre til at eksponerte metalldele på elektroverktøyet blir strømførende, og kan gi operatøren støt.
- **Bruk klemmer eller en annen praktisk metode til å sikre og støtte arbeidsstykket på et stabilt sted.** Det å holde arbeidsstykket i hånden eller mot kroppen er ustabil og kan føre til at du mister kontrollen.
- **Bruk sikkerhetsbriller eller annen øyeskyttelse.** Hamring og boreoperasjoner kan forårsake at fliser flyr. Flyvende partikler kan forårsake permanent øyeskade.
- **Tilbehør og verktøy kan bli varme under bruk.** Bruk hansker når du berører dem.
- **Luftehull dekker ofte bevegelige deler og skal unngås.** Løstsittende antrekk, smykker eller langt hår kan bli fanget opp av bevegelige deler.
- **Ikke bruk dette verktøyet over lengre perioder.** Vibrasjon forårsaket av verktøyet kan være skadelig til dine hender og armer. Bruk hansker for å forsyne ekstra beskyttelse og begrense eksponeringen ved å ta regelmessige hvileperioder.

## Restrisikoer

Til tross for at man følger relevante sikkerhetsbestemmelser og bruker sikkerhetsutstyr, er det bestemte farer som ikke kan unngås. De er:

- Hørselskader.
- Fare for personskade pga. flygende partikler.
- Fare for brannskader fordi utstyr blir varmt under bruk.
- Fare for personskade ved langvarig bruk.

## TA VARE PÅ DENNE BRUKSANVISNINGEN

### Ladere

Mac Tools ladere trenger ingen justeringer, og er designet til å være så enkle som mulig å bruke.

### Elektrisk sikkerhet

Den elektriske motoren er blitt konstruert for kun én spenning. Alltid kontroller at spenningen til batteripakken samsvarer med spenningen på merkeskiltet. Sørg også for at spenningen på laderen samsvarer med spenningen på strømmettet.



Din Mac Tools-lader er dobbeltisolert i samsvar med EN60335; det trengs derfor ikke noen jordledning.

Dersom strømkabelen er skadet, skal den kun skiftes av Mac Tools eller en autorisert serviceorganisasjon.

### Bruk av skjøteledning

Skjøteledning bør ikke brukes hvis det ikke er absolutt nødvendig. Bruk en godkjent skjøteledning som egner seg for kraftforsyningen til din lader (se **Tekniske data**). Minimum størrelse på lederen er 1 mm<sup>2</sup>; maksimum lengde er 30 m.

Alltid vikle ut kabelen fullstendig når du bruker en kabeltrommel.

### Viktige sikkerhetsinstruksjoner for alle batteriladere

**TA VARE PÅ DENNE BRUKSANVISNINGEN:** Denne manualen inneholder viktige sikkerhetsanvisninger og bruksanvisninger for kompatible batteriladere (se **Tekniske data**).

- Før du bruker laderen les alle instruksjoner og advarselmerker på laderen, batteripakken og produktet som bruker batteripakken.



**ADVARSEL:** Fare for støt. Ikke la væske komme inn i laderen. Det kan resultere i elektrisk støt.



**ADVARSEL:** Vi anbefaler bruk av en jordfeilsikring med en nominell strømverdi på 30mA eller mindre.



**FORSIKTIG:** Fare for brannskader. For å redusere faren for skader, lad kun Mac Tools oppladbare batterier. Andre type batterier kan sprekke og forårsake personskader og materielle skader.



**FORSIKTIG:** Barn må holdes under oppsyn, sørg for at de ikke leker med apparatet.

**MERK:** Under visse forhold, med laderen innplugget i strømforsyningen, kan de eksponerte kontaktene i laderen kortsluttes av fremmedlegemer. Fremmedlegemer som kan lede strøm, inkludert, men ikke begrenset til stålull, aluminiumsfolie eller annen ansamling av metalliske partikler, må holdes unna åpningene i laderen. Kople alltid laderen fra strømtilførselen når det ikke er en batteripakk i hulrommet. Kople fra laderen før rengjøring.

- **IKKE forsøk å lade batteripakken med andre ladere enn de som er nevnt i denne manualen.** Laderen og batteripakken er spesielt designet for å jobbe sammen.
- **Disse ladere er ikke ment for annen bruk enn lading av Mac Tools oppladbare batterier.** Annen bruk kan resultere i brannfare og/eller elektrisk støt.

- **Ikke utsett laderen for regn eller snø.**
- **Dra i kontakten og ikke ledningen når du kople laderen fra strømmen.** Dette reduserer faren for skade på kontakten og ledningen.
- **Påse at ledningen er plassert slik at den ikke trækkes på, snubles i, eller på annen måte utsettes for skade eller påkjenning.**
- **Ikke bruk skjøteledning med mindre det er helt nødvendig.** Bruk av feil skjøteledning kan resultere i brannfare og/eller elektrisk støt.
- **Ikke plasser noe på laderen og ikke plasser laderen på en myk overflate som kan blokkere ventilasjonsslissene og resultere i for høy innvendig temperatur.** Plasser laderen et sted unna varmekilder. Laderen ventileres gjennom slisser i toppen og bunnen av huset.
- **Ikke bruk lader med skadet ledning eller kontakt**—bytt dem ut med en gang.
- **Ikke bruk laderen dersom den har fått et slag, er mistet i gulvet eller skadet på annen måte.** Lever den på et autorisert serviceverksted.
- **Ikke ta laderen fra hverandre; lever den på et autorisert serviceverksted når service eller reparasjon trenges.** Å sette den sammen feil kan resultere i elektrisk støt eller brann.
- Dersom ledningen er skadet må den byttes ut med en gang av produsenten, dens serviceagent eller lignende kvalifisert person for å unngå fare.
- **Kople laderen fra strømtilførselen før du begynner med rengjøring.** Dette reduserer faren for elektrisk støt. Fjerning av batteripakken reduserer ikke denne faren.
- **ALDRI forsøk på kople 2 ladere sammen.**
- **Laderen er designet for å bruke standard 230V elektrisk strøm. Ikke forsøk å bruke den på annen spenning.** Dette gjelder ikke billaderen.

### Lade et batteri

1. Plugg inn laderen i en passende stikkontakt for du setter inn batteripakken.
2. Sett batteripakken **6** i laderen, pass på at batteripakken sitter godt i laderen. Det røde (lade) lyset blinker gjentatt som indikasjon på at ladeprosessen er startet.
3. Fullført lading vises ved at det røde lyset er PÅ konstant. Pakken er da fullt oppladet og kan brukes, eller den kan bli stående i laderen. For å ta batteripakken ut av arbeidspakken, trykk inn og hold låseknappen **5** på batteripakken og ta den av.

**MERK:** For å sikre maksimum ytelse og levetid på Li-Ion batteripakker, lad batteripakken helt opp før første gangs bruk.

### Bruk av lader

Se indikatorene under for batteripakkens ladetilstand.



Ladeindikatorer	
 lading	
 fulladet	
 varm/kald ladeforsinkelse*	

\*Det røde lyset vil fortsette å blinke, men et gult indikatorlys vil lyse under denne operasjonen. Når batteriet har kjølt seg ned, vil det gule lyset bli slått av og laderen vil gjenoppta ladeprosedyrene.

Kompatible ladere vil ikke lade en defekt batteripakke. Laderen vil indikere et defekt batteri ved at lyset ikke tennes.

**MERK:** Dette kan også tyde på et problem med laderen.

Dersom laderen indikerer et problem, ta med lader og batteripakke til et servicesenter for testing.

### Ventetid for varm/kald pakke

Dersom laderen detekterer et batteri som er for varmt eller for kaldt, vil den automatisk starte en "varm/kald pakke forsinkelse", og venter med å lade til batteriet har passende temperatur. Laderen vil deretter automatisk skifte til lademodus for pakken. Denne funksjonen sikrer maksimal levetid på batteriet.

En kald batteripakke vil lade langsommere enn en varm batteripakke. Batteripakken vil lade langsommere gjennom hele ladesyklusen, og vil ikke gå tilbake til maksimal ladehastighet selv om batteriet blir varmt.

### Elektronisk beskyttelsessystem


XR Li-ione verktøy er designet med et elektronisk beskyttelsessystem som vil beskytte batteriet mot overlading, overopphvarming eller dyp utlading.

Verktøyet vil automatisk slå seg av dersom beskyttelsessystemet aktiveres (Electronic Protection System). Dersom det skjer, sett litium-ion batteriet på laderen til det er helt oppladet igjen.

### Veggmontering

Disse laderne er designet for å monteres på vegg eller stå på et bord eller arbeidsbenk. Dersom den skal monteres på veggen, plasser laderen innen rekkevidde fra en stikkontakt og unna hjørner eller andre hindringer som kan stoppe luftstrømmen. Bruk baksiden av laderen som mal for å bore hull i veggen for monteringskruene. Monter laderen godt med gipsskruer (må kjøpes separat) minst 25,4 mm lange med hodediameter 7–9 mm, som skrues inn i treverk til optimal dybde med omtrent 5,5 mm av skruen som stikker ut. Rett inn sporene på baksiden av laderen med de utstikkende skruene og lås på plass i sporene.

### Rengjøringsanvisninger for lader

 **ADVARSEL: Fare for støt. Koble laderen fra strømuttaket før rengjøring.** Smuss og fett kan fjernes fra laderen ved hjelp av en klut eller en myk, metallfri børste. Ikke bruk vann eller rengjøringsvæsker. Aldri la noen væske trenge inn i verktøyet; aldri dypp noen del av verktøyet i en væske.

## Batteripakke

### Viktige sikkerhetsinstruksjoner for alle batteripakker

Sørg for å inkludere katalognummer og spenning når du bestiller nye batteripakker.

Batteriet kommer ikke fullstendig ladet ut av pakningen. Les sikkerhetsinstruksjonen under før du bruker batteripakken og laderen. Følg deretter ladeprosedyrene som er beskrevet.

### LES ALLE INSTRUKSJONER

- **Ikke lad eller bruk batteriet i eksplosive omgivelser, slik som i nærheten av antenkelige væsker, gasser eller støv.** Innsetting eller uttak av batteriet kan antenne støvet eller gassen.
- **Tving aldri batteripakken inn i laderen. Ikke modifier batteripakken på noen måte for å passe inn i en ikke-kompatibel lader idet batteripakken kan sprekke og forårsake alvorlig personskade.**
- *Lad batteripakkene kun i egnede Mac-verktøy eller DEWALT ladere.*
- **IKKE sprut på eller senke ned i vann eller andre væsker.**
- **Ikke lagre eller bruk verktøyet eller batteripakken på steder der temperaturen kan falle under 4 °C (34 °F) (som i et utendørs skur eller i metallbygninger om vinteren), eller nå eller overstige 40 °C (104 °F) (som i et utendørs skur eller i metallbygninger om sommeren).**
- **Ikke brenn batteripakken selv om den er alvorlig skadet eller fullstendig utslitt.** Batteripakken kan eksplodere i en brann. Giftige gasser og materialer oppstår når man brenner litium ion-batteripakker.
- **Hvis batteriets innhold kommer i kontakt med huden, vasker du området med mild såpe og vann.** Hvis du får batterivæske på øyet, skyller du det åpne øyet i 15 minutter eller til irritasjonen gir seg. I tilfelle det trengs medisinsk tilsyn, er batteriets elektrolytt sammensatt av en blanding av organiske karbonater og litium-salter.
- **Innholdet i åpne battericeller kan forårsake irritasjon av luftveiene.** Skaff frisk luft. Søk medisinsk ettersyn hvis symptomene vedvarer.



**ADVARSEL: Fare for brannskader.** Batterivæsken kan antennes hvis den utsettes for gnister eller flammer.



**ADVARSEL: Forsøk aldri å åpne batteripakken av noen årsak.** Ikke sett i laderen dersom batteripakkens ytre er sprukket eller skadet. Ikke knus, slipp i gulvet eller skad batteripakken. Ikke bruk en batteripakke eller lader som har fått et slag, er mistet i gulvet, påkjørt eller skadet på annen måte (f.eks. gjennomboret av en spiker, slått med hammer, tråknet på). Det kan resultere i elektrisk støt. Skadede batteripakker skal leveres til servicesenteret for gjenvinning.



**ADVARSEL: Fare for brann. Ikke lagre eller transporter batteripakken slik at batteripolene kan komme i kontakt med metalobjekter.** For eksempel, ikke legg batteriet i forkle, lommer, verktøyskrin,

produktesker, skuffer etc. sammen med løse spikere, skruer, nøkler, etc.



**FORSIKTIG: Når det ikke er i bruk plasser verktøyet på siden på en stabil overflate der det ikke skaper fare for snubling eller fall.** Noen verktøy med store batteripakker kan stå på batteripakken, men kan lettes slås overende.

## Transport



**ADVARSEL: Fare for brann.** Transport av batterier kan kanskje føre til brann dersom batteripolene utilsiktet kommer i kontakt med elektrisk ledende materialer. Ved transport av batterier, pass på at batteripolene er beskyttet og godt isolerte fra materialer som kan komme i kontakt og føre til kortslutning.

**MERK:** Lithium-ione batterier skal ikke være med i innsjekket bagasje.

Mac Tools batterier samsvarer med alle aktuelle shipping-forskrifter som angitt av bransjen og lovregler, inkludert UN Recommendations on the Transport of Dangerous Goods; International Air Transport Association (IATA) Dangerous Goods Regulations, International Maritime Dangerous Goods (IMDG) Regulations, og European Agreement Concerning The International Carriage of Dangerous Goods by Road (ADR). Litium-ion celler og batterier er testet i henhold til avsnitt 38,3 i "UN Recommendations on the Transport of Dangerous Goods Manual of Tests and Criteria".

I de fleste tilfeller vil forsendelse av en Mac Tools batteripakke være unntatt fra klassifisering som en fullt regulert Class 9 Hazardous Material. Vanligvis vil bare forsendelser som inneholder et litium-ione batteri med høyere energiklassifisering enn 100 watt-timer (Wh) kreve forsendelse som fullt regulert Class 9. Alle litium-ione batterier har angitt watt-timer på pakken. Men på grunn av de kompliserte reglene anbefaler Mac Tools ikke å sende litium-ione batteripakker med fly, uansett watt-time klassifisering. Forsendelser av verktøy med batterier (kombinerte sett) kan unntaksvis sendes med fly dersom angitt watt-timer på batteripakken er under 100 Wh.

Uansett om en transport regnes som unntatt eller fullt regulert, er det senderens ansvar å sjekke de gjeldende reglene for pakking, etiketter/merking og dokumentasjon.

Informasjonen i dette avsnittet av manualen er gitt i god tro og ansett som nøyaktig på tidspunktet dokumentet ble opprettet. Men det gis ingen garantier, hverken eksplisitt eller implisitt. Det er kjøperens ansvar å sikre at aktivitetene samsvarer med de gjeldende retningslinjer.

## Anbefalinger for lagring

1. Den ideelle lagringsplassen er kjølig og tørr og ikke utsatt for direkte solskinn samt for sterk varme eller kulde. For optimal batteriytelse og levetid bør batteripakker lagres i romtemperatur når de ikke er i bruk.
2. For lang tids lagring, anbefales det for optimalt resultat å lagre en fullt ladet batteripakke på et kjølig og tørt sted uttatt av laderen.

**MERK:** Batteripakker bør ikke lagres fullt utladet. Batteripakken må lades opp igjen før bruk.

## Merking på laderen og batteripakken

I tillegg til piktogrammene som er brukt i denne manualen, kan etikettene på laderen og batteripakken vise følgende piktogrammer:



Les instruksjonshåndboken før bruk.



Se **Tekniske data** for ladetid.



Ikke undersøk med strømførende gjenstander.



Ikke lad skadede batteripakker.



Ikke utsett for vann.



Få byttet defekte ledninger omgående.



Lades kun mellom 4 °C og 40 °C.



Kun for innendørs bruk.



**LI-ION**

Deponer batteripakken på miljøvennlig vis.



**DCBXXX**

Lad kun Mac Tools batteripakker med de angitte Mac Tools laderne. Lading av andre batteripakker enn de angitte Mac Tools batteriene med en Mac Tools lader kan føre til at de sprekker eller til andre farlige situasjoner.



Ikke brenn batteripakken.

## Batteritype

BWP152 bruker en 18 volt batteripakke.

Disse batteripakkene kan brukes: . Se **Tekniske Data** for mer informasjon.

## Pakkens innhold

Pakken inneholder:

- 1 Slagtrekker
- 1 Lader
- 1 Batteripakker
- 1 Instruksjonshåndbok

**MERK:** Batteripakker, ladere og kofferter er ikke inkludert med N-modeller. Batteripakker og ladere er ikke inkludert med NT-modeller. B-modeller inkluderer Bluetooth® batteripakker.

**MERK:** Bluetooth® ordmerke og logoer er varemerker eiet av Bluetooth®, SIG, Inc. og all bruk av slike merker ved Mac Tools er under lisens. Andre varemerker og merkenavn er eiet av sine respektive eiere.

- Se etter skader på verktøyet, deler eller tilbehør som kan ha oppstått under transport.
- Ta deg tid til å lese grundig gjennom og forstå denne håndboken før bruk.

## Merking på verktøyet

Følgende piktogrammer vises på verktøyet:



Les instruksjonshåndboken før bruk.



Bruk hørselvern.



Bruk vernebriller.



Synlig stråling. Ikke se inn i lyset.

## Datokode plassering (Fig. A)

Datokoden **10**, som også inkluderer produksjonsåret, er trykket på huset.

Eksempel:

2021 XX XX

Produksjonsår

## Beskrivelse (Fig. A)



**ADVARSEL:** Aldri modifierer elektroverktøyet eller noen del av det. Dette kan føre til materiell- eller personskader.

- 1 Avtrekker-bryter
- 2 Fremover/bakover knapp
- 3 Ambolt
- 4 Hovedhandtak
- 5 Festeknapp for batteriet
- 6 Batteripakke
- 7 Arbeidslys
- 8 Krampe
- 9 Modusvelger
- 10 Datokode

## Tiltenkt Bruk

Denne slagtrekkeren er designet for profesjonelt slagtrekking. Slagfunksjonen gjør dette verktøyet spesielt nyttig for å skru i treverk, metall og betong.

**IKKE** bruk når det er vått eller i nærheten av antenkelige væsker eller gasser.

Denne slagnøkkelen er et profesjonelt elektrisk verktøy.

**IKKE** la barn komme i kontakt med verktøyet. Uerfarne operatører trenger tilsyn når de bruker dette verktøyet.

- Dette apparatet er ikke ment for bruk av personer (inkludert barn) med reduserte fysiske, sensoriske eller mentale evner,

eller mangel på erfaring og kunnskap, med mindre de får tilsyn av en person ansvarlig for deres sikkerhet. Barn skal aldri forlates alene med dette produktet.

## MONTERING OG JUSTERING



**ADVARSEL:** For å redusere risikoen for alvorlig personskade, slå av verktøyet og koble fra batteripakken før du foretar eventuelle justeringer eller fjerner/installerer tilleggsutstyr eller tilbehør. En utilsiktet oppstart kan føre til personskader.



**ADVARSEL:** Bruk kun batteripakker og ladere fra Mac Tools.

## Sette inn og ta av batteripakke på verktøyet (Fig. B)

**MERK:** For best resultat, pass på at batteripakken **6** er helt oppladet før bruk.

### For å installere batteripakken i verktøyet håndtak

1. Rett inn batteripakken **6** mot skinnene i håndtaket (Fig. B).
2. Skyv den inn i håndtaket til batteripakken er godt festet i verktøyet, pass på at den ikke løsner.

### For å fjerne batteripakken fra verktøyet

1. Trykk batteriets festeknapp **5** og trekk batteriet bestemt ut av håndtaket.
2. Sett batteripakken i laderen som beskrevet i laderavsnittet i denne manualen.

### Ladeindikator batteripakker (Fig. A)

Noen Mac Tools batteripakker inkluderer en ladeindikator som består av tre grønne LED som indikerer hvor mye lading som er igjen i batteripakken.

For å aktivere ladeindikatoren, trykk og hold indikatorknappen. En kombinasjon av tre grønne LED-lys vil lyse og vise gjenværende lading. Dersom gjenværende lading av batteriet er under brukbar grense, vil ingen lys tennes og batteriet må lades opp.

**MERK:** Ladeindikatoren er bare en indikasjon av gjenværende lading i batteripakken. Den gir ingen indikasjon på om verktøyet fortsatt kan brukes, og kan variere med produktkomponentene, temperatur og brukerens bruksområde.

### Avtrekkbryter for variabel hastighet (Fig. A)

For å bruke verktøyet, klem avtrekkbryteren **1**. For å slå av verktøyet, slipp avtrekkbryteren. Verktøyet er utstyrt med en brems. Slagtrekkeren stopper når avtrekkbryteren slippes helt. Bryteren for variabel hastighet lar deg velge beste hastighet for en bestemt bruk. Jo mer du klemmer avtrekkbryteren, desto raskere roterer verktøyet. For maksimum levetid på verktøyet, bruk variabel hastighet kun for å starte hull eller skruer.

**MERK:** Kontinuerlig bruk ved variabel hastighet anbefales ikke. Det kan skade bryteren og bør unngås.

### Fremover/bakover kontrollknapp (Fig. A)

En fremover/bakover kontrollknapp **2** bestemmer verkøyet retning, og fungerer også som en låseknapp.

For å velge rotasjon fremover, slipp avtrekksbryteren og trykk fremover/bakover kontrollknappen på høyresiden av verktøyet.


For å velge revers, slipp avtrekksbryteren og trykk fremover/bakover kontrollknappen på venstresiden av verktøyet.


Når kontrollknappen står i midten er verktøyet låst. Når du skifter kontrollknappens posisjon, påse at avtrekksbryteren er sluppet.

**MERK:** Første gang verktøyet kjøres etter endring av rotasjonsretning kan det hende at du hører en klikk ved oppstart. Dette er normalt og er ikke et tegn på et problem.


## BRUK

### Bruksanvisning

 **ADVARSEL:** Ta alltid hensyn til sikkerhetsinstruksjonene og gjeldende forskrifter.

 **ADVARSEL:** For å redusere risikoen for alvorlig personskade, slå av verktøyet og koble fra batteripakken før du foretar eventuelle justeringer eller fjerner/installerer tilleggsutstyr eller tilbehør. En utilsiktet oppstart kan føre til personskader.

### Korrekt plassering av hendene (Fig. C)

 **ADVARSEL:** For å redusere faren for alvorlig personskade, skal man **ALLTID** ha hendene i korrekt posisjon, som vist.

 **ADVARSEL:** For å redusere faren for personskade, skal man **ALLTID** holde godt fast, for å være forberedt på en plutselig reaksjon.

Riktig håndstilling er å ha en hånd på hovedhåndtaket 4.

### Arbeidslampe (Fig. A)

Det er en arbeidslampe 7 på foten til verktøyet. Arbeidslampen aktiveres når avtrekkeren trykkes inn, og vil automatisk slå seg av 20 sekunder etter at avtrekkeren slippes. Dersom du fortsetter å holde avtrekkeren inne, forblir arbeidslampen på.

**MERK:** Arbeidslampen er for å belyse den nærmeste arbeidsflaten, og er ikke ment å brukes som lykt.

### Modusvalg (Fig. A, D)

Verktøyet er utstyrt med modusvelger 9 som lar deg velge mellom to hastigheter eller Impact Assist. Velg modus basert på bruksområde, og kontroller hastigheten av verktøyet ved hjelp av avtrekkerbryteren 1.

### Impact Assist™ (Fig. D)


I tillegg til normal slagmodus, har dette verktøyet en Impact Assist-modus som gir brukeren større kontroll både ved bruk for festing og løsing. For å aktivere Impact Assist-modus, sett modusvelgeren på verktøyfoten i midtstilling. Når det er stilt inn til Impact Assist-modus, vil verktøyet trekke til med 1900 o/min før slagfunksjonen starter. Verktøyet vil så ta en pause på 0,75 sekund før det fortsetter med slagfrekvens på 2400 slag pr. minutt, som gir brukeren større kontroll og reduserer faren for hard stramming eller skade på materialet.


Når det er stilt til revers, vil verktøyet ha normal hastighet og frekvens på 2400 slag pr. minutt. Dersom det registreres at festet har løsnet, vil verktøyet stoppe slagene og redusere hastigheten for å unngå "utkjøring" eller at verktøyet løsner.


### MODUSVALG

Modus	Slagmodus	RPM	0-400
Lav modus	Normal slagmodus	RPM	0-1900
Høy modus	Høy hastighet slag	RPM	0-1900
Impact Assist-modus	Impact Assist	RPM	0-1900

### Ambolt med bøying (Hog Ring) (Fig. C)

 **ADVARSEL:** Bruk bare tilbehør for slagbruk. Tilbehør som ikke er ment for slagbruk kan knekke og føre til farlige situasjoner. Inspiser tilbehøret før bruk for å se at det ikke har sprekker.


 **FORSIKTIG:** Sjekk feste og holdinger før bruk. Manglende eller skadede deler skal erstattes før bruk.

 **FORSIKTIG:** Sett knappen i låst (senter) posisjon eller ta av batteripakken før du skifter tilbehør.

**For å installere et tilbehør på bøyingen,** trykk bestemt inn tilbehøret på festet 3. Bøyingen 8 presses sammen for å la tilbehøret skyves på. Etter at tilbehøret er installert, gir bøyingen trykk for å holde tilbehøret på plass.

**For å fjerne et tilbehør, skal du** gripe tilbehøret og dra det bestemt av.


### Bruk av trekkeren

 **FORSIKTIG:** Pass på at skruene og/eller systemet tåler momentet som verktøyet genererer. For høyt moment kan føre til brudd og mulige personskader.

1. Plasser åpningen på skruhodet. Hold verktøyet rett mot skruen.
2. Trykk på bryteren for å starte. Kontroller alltid med en momentnøkkel, da tiltrekkingsmomentet påvirkes av mange faktorer inkludert følgende:
  - Spenning: Lav spenning på grunn av nesten utladet batteri vil redusere tiltrekkingsmoment.
  - Åpnings-størrelse: Dersom det ikke er korrekt hodestørrelse vil det føre til redusert tiltrekkingsmoment.
  - Skru-størrelse: Store skru-diametere krever generelt større tiltrekkingsmoment. Tiltrekkingsmoment vil også variere med lengde, materiale og momentkoeffisient.
  - Skru: Pass på at gjengene er frie for rust og annet rusk for å sikre korrekt tiltrekkingsmoment.
  - Materiale: Materialtype og overflate-finhet av materialet vil påvirke tiltrekkingsmomentet.
  - Skru-tid: Lengre skrutid fører til økt tiltrekkingsmoment. Bruk av lenger skrutid enn anbefalt kan føre til at skruen overbelastes, strippes eller skades.

### VEDLIKEHOLD

Ditt Mac Tools elektriske verktøy er designet for å virke over en lang tidsperiode med et minimum av vedlikehold. Kontinuerlig tilfredsstillende drift avhenger av tilfredsstillende stell av verktøyet og regelmessig renhold.

 **ADVARSEL:** For å redusere risikoen for alvorlig personskade, slå av verktøyet og koble fra batteripakken før du foretar eventuelle justeringer eller fjerner/installerer tilleggsutstyr eller tilbehør. En utilsiktet oppstart kan føre til personskader.

Laderen og batteripakken er vedlikeholdsfrie.



## Smøring

Ditt elektriske verktøy trenger ikke ekstra smøring.



## Rengjøring



**ADVARSEL:** Blås skitt og støv ut av hovedkabinettet med tørr luft når skitt samles inne i og rundt luftåpningene. Bruk godkjent øyebeskyttelse og godkjent støvmaske når du utfører denne prosedyren.



**ADVARSEL:** Aldri bruk løsemidler eller sterke kjemikalier for å rengjøre ikke-metalliske deler av verktøyet. Disse kjemikaliene kan svekke materialene som brukes i disse delene. Bruk en klut som bare er fuktet med vann og mild såpe. Aldri la noen væske trenge inn i verktøyet; aldri dypp noen del av verktøyet i en væske.

## Tilleggsutstyr



**ADVARSEL:** Bruk av annet tilleggsutstyr enn det som tilbys av Mac Tools kan være farlig, ettersom dette ikke er testet sammen med dette verktøyet. For å redusere faren for skader, bør kun tilleggsutstyr som er anbefalt av Mac Tools brukes sammen med dette produktet.

Ta kontakt med din forhandler for ytterligere informasjon om egnet ekstrautstyr.

## Beskyttelse av miljøet



Separat innsamling. Produkter og batterier merket med dette symbolet skal ikke kastes i vanlig husholdningsavfall.

Produkter og batterier inneholder materialer som kan gjenvinnes eller gjenbrukes, som reduserer behovet for råmaterialer. Vennligst lever elektriske produkter og batterier til gjenbruk i henhold til lokale regler. Mer informasjon får du på [www.2helpU.com](http://www.2helpU.com).

## Oppladbar batteripakke

Denne langtids batteripakken må lades på nytt når den ikke lenger produserer nok strøm til jobber som enkelt kunne utføres tidligere. Ta hensyn til miljøet når batteripakken må kasseres:

- Lad batteripakken helt ut, og ta den ut av verktøyet.
- Litium-ion celler kan gjenbrukes. Lever dem til forhandleren eller en lokal gjenbruksstasjon. De innleverte batteripakkene vil gjenbrukes eller avfallsbehandles korrekt.





---

**MAC TOOLS-EUROPE, STANLEY BLACK & DECKER INC.  
UNIT 3, EUROPA COURT  
SHEFFIELD BUSINESS PARK, SHEFFIELD, S1 1XE  
COPYRIGHT © 2015, 2020, 2021 MAC TOOLS  
Tel: 08450 6000 60  
[www.MACTOOLS.com](http://www.MACTOOLS.com)  
[CUSTOMERSERVICES@MACTOOLS.CO.UK](mailto:CUSTOMERSERVICES@MACTOOLS.CO.UK)**