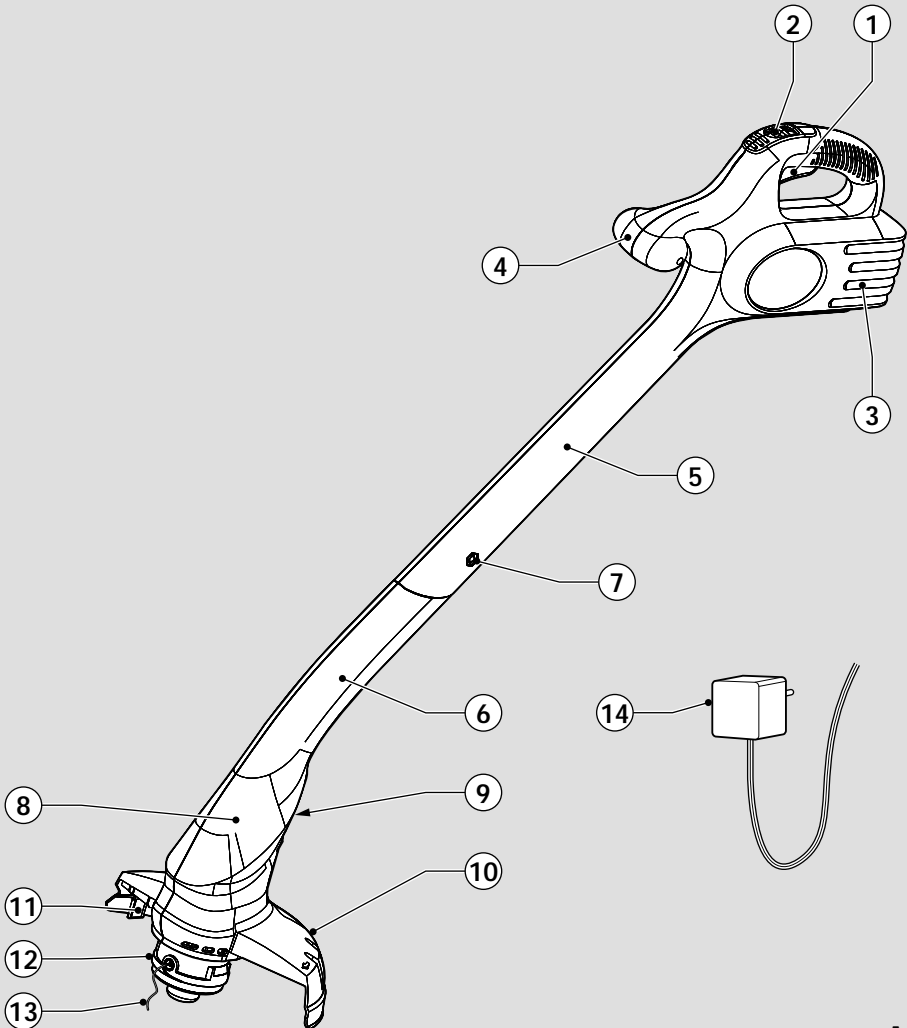




# BLACK & DECKER®

www.blackanddecker.com

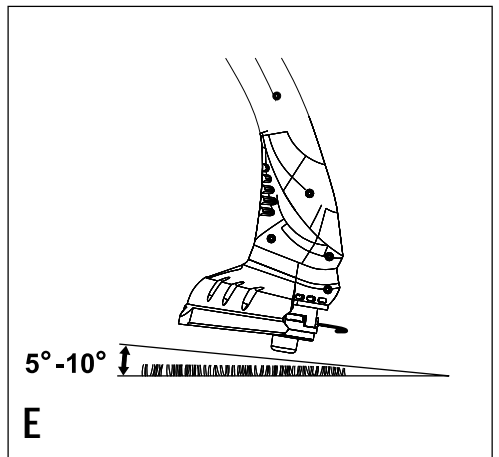
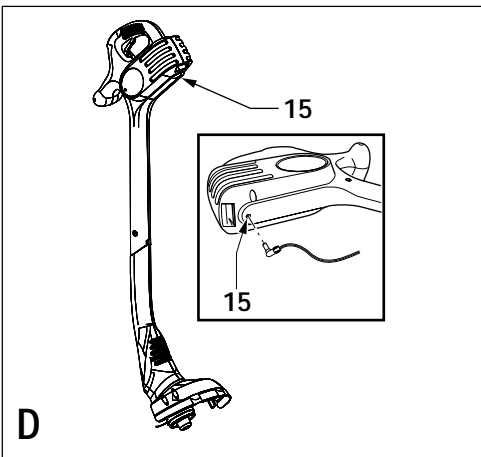
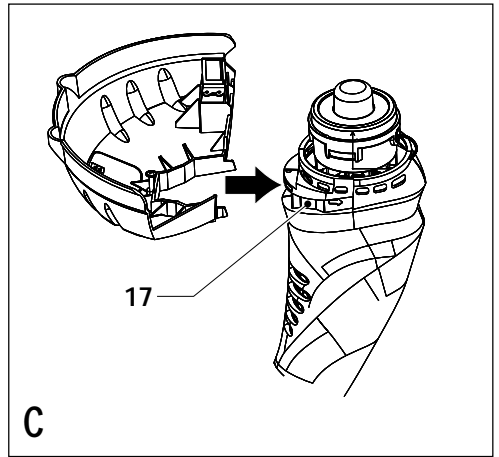
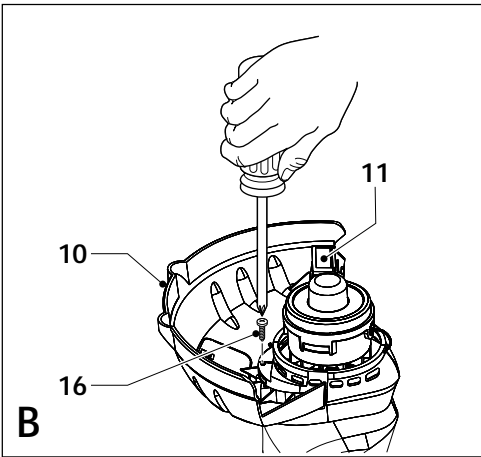
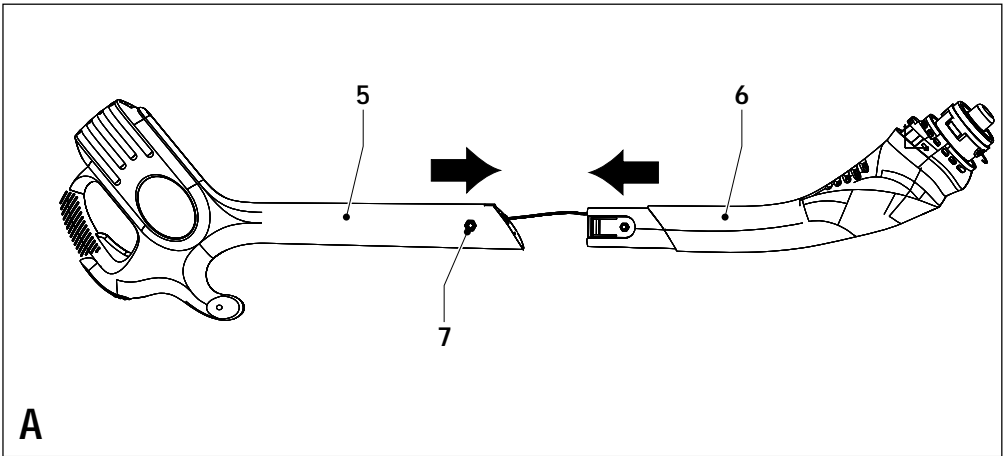


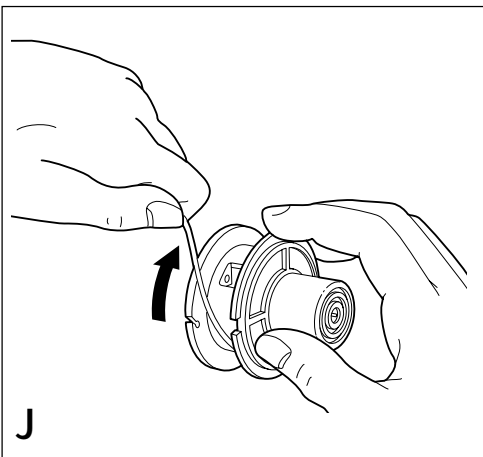
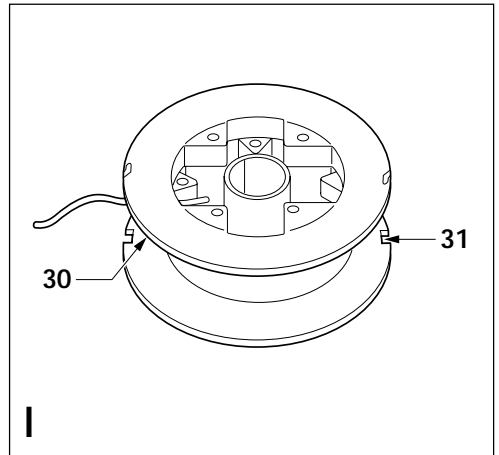
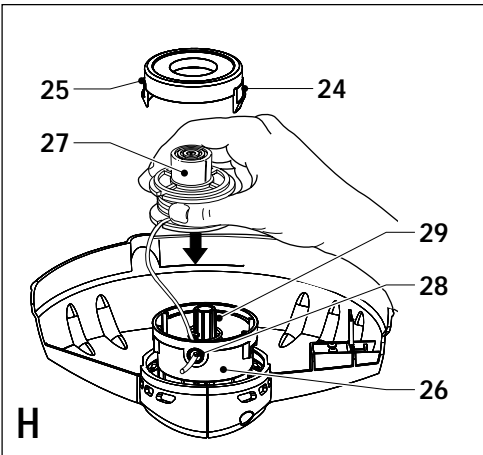
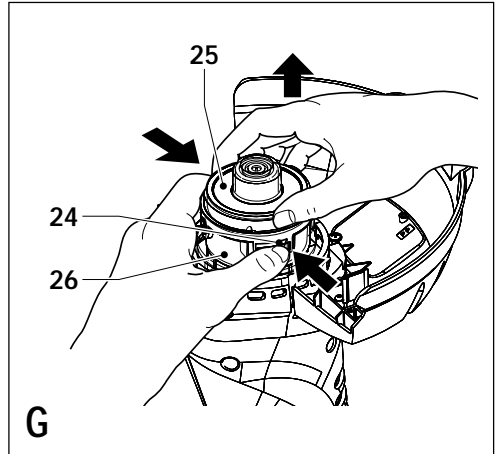
UK

Ireland

Australia

New Zealand





## Intended use

Your Black & Decker strimmer has been designed for trimming and finishing lawn edges and to cut grass in confined spaces. This tool is intended for consumer use only.

Your Black & Decker charger has been designed for charging Black & Decker batteries of the type supplied with this tool.

## Safety instructions

- ◆ **Warning!** When using the appliance the safety rules must be followed. For your own safety and that of bystanders read these instructions before operating the machine. Keep the instructions safe for later use.
- ◆ Read all of this manual carefully before operating the appliance.
- ◆ Before operating the appliance, make sure that you know how to switch it off in an emergency.
- ◆ The intended use is described in this manual. The use of any accessory or attachment or performance of any operation with this appliance other than those recommended in this instruction manual may present a risk of personal injury.

### Work area

- ◆ Do not expose the appliance to rain.
- ◆ Do not use the appliance in damp or wet conditions.
- ◆ Only use the appliance in daylight or good artificial light.

### Personal protection

- ◆ Wear stout shoes or boots to protect your feet. Do not operate the appliance wearing open-toed sandals or when barefoot.
- ◆ Wear long trousers to protect your legs.
- ◆ Always use safety glasses or goggles.
- ◆ Use a face or dust mask whenever the operations may produce dust or flying particles.
- ◆ Wear ear protection whenever the sound level seems uncomfortable.
- ◆ Keep hands and feet away from the cutting line at all times, especially when switching on the motor.

### Using your appliance

- ◆ Stay alert. Watch what you are doing. Use common sense.
- ◆ Do not operate the appliance when you are tired.
- ◆ If the appliance begins to vibrate abnormally, switch it off. Allow rotating parts to stop and inspect the appliance for damage and loose parts.

### Safety of others

- ◆ Do not allow children or any person unfamiliar with these instructions to operate the appliance.
- ◆ Stop using the appliance while people, especially children, or pets are nearby.

- ◆ Remember that the operator may be held responsible for accidents or hazards occurring to other people or their property.

### After use

- ◆ Switch off, and ensure that moving parts have stopped rotating before leaving the appliance unattended and before changing, cleaning or inspecting any parts of the appliance.
- ◆ When not in use, the appliance should be stored in a dry place. Children should not have access to stored appliances.

### Inspection and repairs

- ◆ Before use and after any impact, check the appliance for damaged or defective parts. Check for misalignment and seizure of moving parts, breakage of parts, damage to guards and switches and any other conditions that may affect its operation.
- ◆ Do not use the appliance if any part is damaged or defective. Do not use the appliance if the switch does not turn it on and off.
- ◆ Never use the appliance when any guard or enclosure is damaged or not in place.
- ◆ Ensure that the appliance will operate properly and perform its intended function.
- ◆ Have any damaged or defective parts repaired or replaced by an authorised repair agent.
- ◆ Only use Black and Decker accessories and replacement parts. Never attempt to remove or replace any parts other than those specified in this manual.

### Additional safety instructions for grass trimmers

The following warning symbols are found on the appliance:



Read the manual prior to operation.



Wear safety glasses or goggles when operating this tool.



Keep people and animals at least 6 m away from the cutting area.



Do not expose the appliance to rain or high humidity.

- ◆ Before using the appliance, check that your cutting path is free from sticks, stones, wire and any other objects. Make sure to avoid any wire which might be bent outwardly into the cutting path, such as barbs at the base of a chain link fence.

- ◆ When fitting and cleaning the guard avoid contact with the line trimming blade.
- ◆ Only use the appliance in the correct position, with the cutting line near the ground, as shown in the illustrations. Never switch the appliance on in any other position.
- ◆ Do not work on steep slopes. Be sure of your footing. Be aware that freshly cut grass is damp and slippery.
- ◆ Take care when trimming near borders and gravel paths or roads as stones and soil may be thrown out by the cutting line.
- ◆ Do not put the appliance down until the cutting line has come to a complete standstill.
- ◆ Use only the appropriate type of Black & Decker cutting line. Never use metal cutting elements or fishing line.
- ◆ After extending new cutting line, always return the appliance to its normal operating position before switching on.
- ◆ Do not touch the line trimming blade located in the guard. Be aware of the blade especially when fitting the guard, cleaning the appliance or changing the cutting line.

## Additional safety instructions for batteries and chargers

### Batteries

- ◆ Do not expose to water.
- ◆ Do not store in locations where the temperature may exceed 40 °C.
- ◆ Charge only at ambient temperatures between 4 °C and 40 °C.
- ◆ Charge only in a dry, well ventilated area.
- ◆ Charge only using the charger provided with the tool.
- ◆ Do not attempt to charge damaged batteries.
- ◆ Before charging, make sure that the battery is dry and clean.
- ◆ Use only the correct type of battery for the tool.
- ◆ When disposing of batteries, follow the instructions given in the section "Protecting the environment".

The battery contains a diluted alkaline which can be harmful. Alkaline on the skin will cause burns and if in contact with the eyes may cause loss of sight.

- ◆ In case of skin contact, flush immediately with water.
- ◆ In case of eye contact, rinse abundantly with clean water for at least 10 minutes. Seek medical attention.

The following symbols are found on the battery/switch housing:



Fire hazard! Avoid short-circuiting the contacts of a detached battery.



Do not incinerate the battery.



Dispose of the battery in accordance with the instructions.

### Chargers

- ◆ Use your Black & Decker charger only to charge batteries of the type supplied with your appliance. Other batteries could burst, causing personal injury and damage.
- ◆ Before using the charger inspect the supply cord for damage, wear or ageing. Have defective cords replaced immediately.
- ◆ Do not expose to water.
- ◆ Do not open the charger.
- ◆ Do not probe the charger.
- ◆ Do not replace the charger with a mains plug.

The following symbol is found on the charger:



Intended for indoor use only.

### Electrical safety



Your charger is double insulated; therefore no earth wire is required. Always check that the mains voltage corresponds to the voltage on the rating plate. Never attempt to replace the charger unit with a regular mains plug.

### Features

1. On/off switch
2. Lock-off button
3. Battery
4. Handle
5. Upper half
6. Lower half
7. Bolt
8. Motor housing
9. Ventilation slots
10. Guard
11. Line trimming blade
12. Spool
13. Cutting line
14. Charger

### Assembly

#### Assembling the unit (fig. A)

- ◆ Remove the bolt (7) and nut from the upper half (5).
- ◆ Slide the upper half into the lower half (6) as shown, until it snaps into place.
- ◆ Insert the bolt (7) and nut through the upper half.
- ◆ Securely tighten the bolt. Make sure the unit is rigidly assembled.

### Fitting the guard (fig. B & C)

- ◆ Remove the screw (16) from the guard (10).
- ◆ Fully insert the guard into the slot (17) in the trimmer head (marked by arrows), as shown.
- ◆ Insert the screw through the trimmer head into the guard.
- ◆ Securely tighten the screw.

**Warning!** Never use the tool unless the guard is properly fitted.

## Use

### Charging the battery (fig. D)

The battery needs to be charged before first use and whenever it fails to produce sufficient power on jobs that were easily done before. Do not continue to use the tool with the battery in a depleted condition.

- ◆ Before first use, the battery must be charged for a minimum of 8 hours.
- ◆ When the battery needs charging after normal use, let the battery charge for a minimum of 3 hours.

**Warning!** Do not charge the battery at ambient temperatures below 5 °C or above 40 °C. Recommended charging temperature: approx. 25 °C.

To charge the battery, proceed as follows:

- ◆ Connect the charger to the charger connector (15).
- ◆ Plug in the charger. Switch on at the mains.
- ◆ During charging, the charger may hum and become warm to the touch. This is normal and does not indicate a problem
- ◆ Unplug the charger when charging is complete. Do not charge the battery for more than 8 hours as this can reduce overall battery life.

### Switching on and off (cover illustration)

For your safety, this tool is equipped with a double switching system. This system prevents starting the tool inadvertently.

#### Switching on

- ◆ Pull the lock-off button (2) back using your thumb and at the same time squeeze the on/off switch (1).
- ◆ Release the lock-off button.

#### Switching off

- ◆ Release the on/off switch (1).

**Warning!** Never attempt to lock a switch in the on position.

### Feeding cutting line

**During use, the tip of the cutting line will become frayed and worn. The cutting line will wear faster and require more frequent feeding during heavy use, or when trimming along sidewalks or other abrasive surfaces.**

- ◆ Gently bump the trimmer head on the ground to feed out a new length of cutting line.

## Hints for optimum use

### General

- ◆ Let the tool work at its own pace. Do not overload.
- ◆ In order to achieve optimum cutting results, only cut dry grass.
- ◆ Do not use the tool to create edges. To create edges, use an edging spade.

### Trimming (fig. E & F)

- ◆ Hold the tool under an angle as shown in fig. E.
- ◆ Gently swing the trimmer from side to side as shown in fig. F.
- ◆ When cutting long grass, work in stages from the top.
- ◆ Keep the tool away from hard objects and delicate plants.
- ◆ If the tool starts running slowly, reduce the load.

## Maintenance

Your Black & Decker tool has been designed to operate over a long period of time with a minimum of maintenance.

Continuous satisfactory operation depends upon proper tool care and regular cleaning.

Your charger does not require any maintenance apart from regular cleaning. Unplug the charger before cleaning it.

- ◆ Regularly clean the cutting line and spool using a soft brush or dry cloth.
- ◆ Regularly use a blunt scraper to remove grass and dirt from the underside of the guard.
- ◆ When the line trimming blade gets dull, sharpen it with a file.
- ◆ Regularly clean the ventilation slots in your tool using a soft brush or dry cloth.
- ◆ Regularly clean the motor housing using a damp cloth. Do not use any abrasive or solvent-based cleaner.

**Warning!** Do not immerse the tool in water, squirt it with a hose or clean it with a pressure washer. Do not allow any liquid to get inside the tool.

### Fitting a new spool of cutting line (fig. G & H)

Replacement spools of cutting line are available from your Black & Decker dealer (cat. no. A6449).

- ◆ Keep the tabs (24) depressed and remove the spool cover (25) from the housing (26).

- ◆ Remove the empty spool (27) from the drive shaft.
- ◆ Remove any dirt and grass from the housing.
- ◆ Take the new spool and unwind approx. 6 cm of cutting line.
- ◆ Feed the cutting line through the eyelet (28). Make sure the spring is in place under the spool.
- ◆ Pull on the cutting line to keep it under tension and gently push the spool onto the drive shaft (29).
- ◆ Rotate the spool until it is seated. Make sure that the cutting line is not trapped under the spool and that approx. 6 cm of cutting line protrudes from the housing.
- ◆ Align the tabs on the spool cover with the holes in the housing.
- ◆ Push the cover onto the housing until it snaps securely into place.
- ◆ Switch the tool on. In a few seconds the line will be cut to the correct length. If not, gently bump the trimmer head on the ground to feed out more cutting line.

### Winding new line onto an empty spool (fig. I & J)

You may wind new cutting line onto an empty spool.

Replacement packs of cutting line are available from your Black & Decker dealer (cat. no. A6170/A6171).

- ◆ Remove the empty spool from the tool as described above.
- ◆ Remove any old cutting line from the spool.
- ◆ Feed 3 mm of cutting line into the hole (30) in the spool as shown.
- ◆ Wind the cutting line snugly onto the spool in the direction of the arrow. Make sure to wind the line on neatly and in layers. Do not criss-cross.
- ◆ When the wound cutting line reaches the notches in the spool rim (31), cut the line. Let the line protrude approx. 6 cm from the spool and hold a finger on the line to keep it in place. Do not overfill the spool. Approx. 8 m of cutting line can be wound on the spool.
- ◆ Proceed as described above to fit the spool on the tool.

**Warning!** Use only 1.5 mm diameter monofilament round Black & Decker cutting line.

### Storage

- ◆ Fully charge the battery. Unplug the charger when charging is complete.
- ◆ When stored in fully charged condition, the battery will have 75% of its energy left after 1 month of storage. After 6 months, 50% will remain. After prolonged storage, the battery may need to be recharged.
- ◆ The cutting line can dry out over time. Store prewound spools and spare lengths of cutting line in a sealable plastic bag with a tablespoon of water.

**Warning!** Do not store the tool on or near fertilizers, gasoline, or other chemicals.

## Troubleshooting

If your tool seems not to operate properly, follow the instructions below. If this does not solve the problem, please contact your local Black & Decker repair agent.

### Battery does not charge properly

- ◆ Make sure that the ambient temperature is between 5 °C and 40 °C.
- ◆ Check the current at the socket by plugging in a lamp or other appliance.

### Spool is jammed (fig. G & H)

During heavy use, the drive shaft may become clogged with sap and debris. As a result, the cutting line can get jammed.

To clear a jam, proceed as follows:

- ◆ Keep the tabs (24) depressed and remove the spool cover (25) from the housing (26).
- ◆ Remove the spool (27) from the drive shaft.
- ◆ Remove any broken line or cutting debris from the housing.
- ◆ Unwind approx. 30 cm of cutting line and make sure that it is undamaged. If necessary, cut off any damaged cutting line. Make sure the cutting line is properly rewound on the spool.
- ◆ Proceed as described under "Maintenance" to fit the spool on the tool.

## Protecting the environment

### Tools



Black & Decker provides a facility for recycling Black & Decker products and rechargeable batteries once they have reached the end of their working life. This service is provided free of charge. To take advantage of this service please return your product to any authorised repair agent who will collect them on our behalf.

### Batteries



Black & Decker batteries can be recharged many times. At the end of their useful life, discard batteries with due care for our environment:

- ◆ Run the battery down completely, then remove it from the tool.
- ◆ NiCd and NiMH batteries are recyclable. Take them to any authorised repair agent or a local recycling station.

You can check the location of your nearest authorised repair agent by contacting your local Black & Decker office at the address indicated in this manual. Alternatively, a list of authorised Black & Decker repair agents and full details of our after-sales service and contacts are available on the Internet at: [www.2helpU.com](http://www.2helpU.com).

#### Technical data

	GLC12
Voltage	V <sub>DC</sub> 12
No-load speed	min <sup>-1</sup> 9,500
Weight	kg 2.2

#### Battery

Voltage	V <sub>DC</sub> 12
Capacity	Ah 1.5

#### Charger

Input voltage	V <sub>AC</sub> 230
Approx. charging time	h 3

### EC declaration of conformity

Black & Decker declares that these products conform to:  
98/37/EC, 89/336/EEC, 73/23/EEC, EN 60335, EN 55014,  
EN 61000

2000/14/EC, Lawn trimmer, L = 21 cm  
Annex VI, No. 499  
SNCH, 5230 Sanweiler, Luxembourg

Level of sound pressure, measured according to EN ISO 3744:

L<sub>PA</sub> (sound pressure) dB(A) 75  
L<sub>WA</sub> (acoustic power) dB(A) 88  
L<sub>WA</sub> (guaranteed) dB(A) 96

Hand/arm weighted vibration, measured according to  
EN 28662: < 2.5 m/s<sup>2</sup>



Kevin Hewitt  
Director of Consumer Engineering  
Spennymoor, County Durham DL16 6JG,  
United Kingdom  
01-01-2003

### Guarantee

Black & Decker is confident of the quality of its products and offers an outstanding guarantee. This guarantee statement is in addition to and in no way prejudices your statutory rights. The guarantee is valid within the territories of the Member States of the European Union and the European Free Trade Area.

If a Black & Decker product becomes defective due to faulty materials, workmanship or lack of conformity, within 24 months from the date of purchase, Black & Decker guarantees to replace defective parts, repair products subjected to fair wear and tear or replace such products to ensure minimum inconvenience to the customer unless:

- ◆ The product has been used for trade, professional or hire purposes;
- ◆ The product has been subjected to misuse or neglect;
- ◆ The product has sustained damage through foreign objects, substances or accidents;
- ◆ Repairs have been attempted by persons other than authorised repair agents or Black & Decker service staff.

To claim on the guarantee, you will need to submit proof of purchase to the seller or an authorised repair agent. You can check the location of your nearest authorised repair agent by contacting your local Black & Decker office at the address indicated in this manual. Alternatively, a list of authorised Black & Decker repair agents and full details of our after-sales service and contacts are available on the Internet at: [www.2helpU.com](http://www.2helpU.com).

#### Australia

DeWALT Industrial Power Tool Company  
7 Clarice Road Tel. 03 9895 9200  
Box Hill, Victoria 3128 Fax 03 9899 7465

#### New Zealand

Black & Decker Tel. 09 579 7600  
81 Hugo Johnson Drive Fax 09 579 8200  
Penrose, Auckland, New Zealand

#### United Kingdom

Black & Decker Tel. 01753 511234  
210 Bath Road Fax 01753 551155  
Slough, Berkshire SL1 3YD Helpline 01753 574277







Dealer address

Date of purchase

Name: .....

Address: .....

Town: .....

Postal code: .....

Was this tool a gift?

Yes  
 No

Was this tool your first purchase?

Yes  
 No

Was this tool bought as a replacement?

Yes  
 No

Dealer address: .....

.....

Data protection act:  
Tick the box if you prefer not to receive further information.



**GUARANTEE CARD**



**Please complete this section immediately after the purchase of your tool and send it to Black & Decker in your country.  
If you live in Australia or New Zealand, please register by using the alternative guarantee card supplied.**