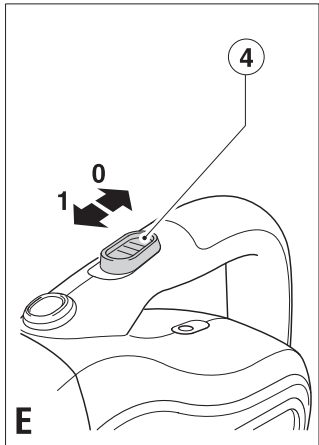
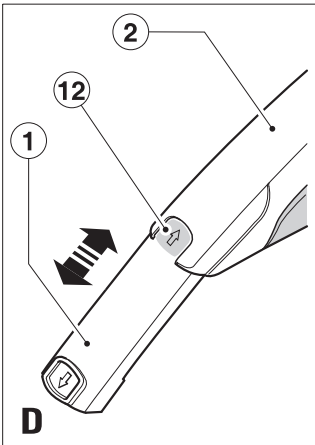
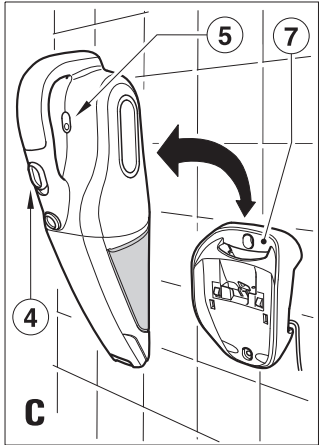
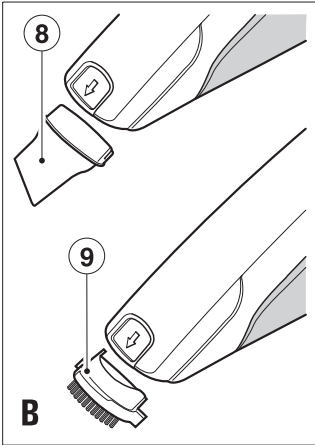
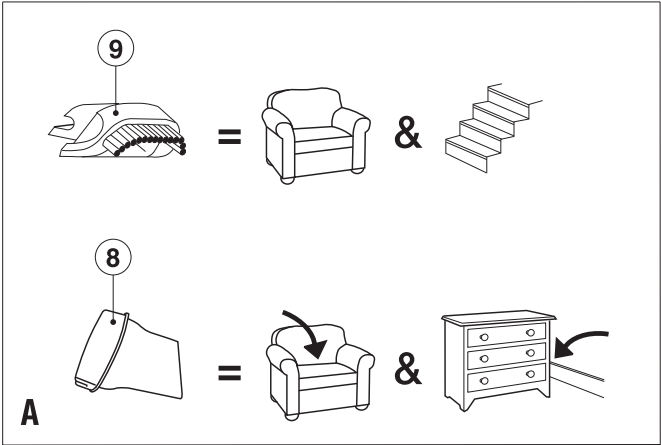
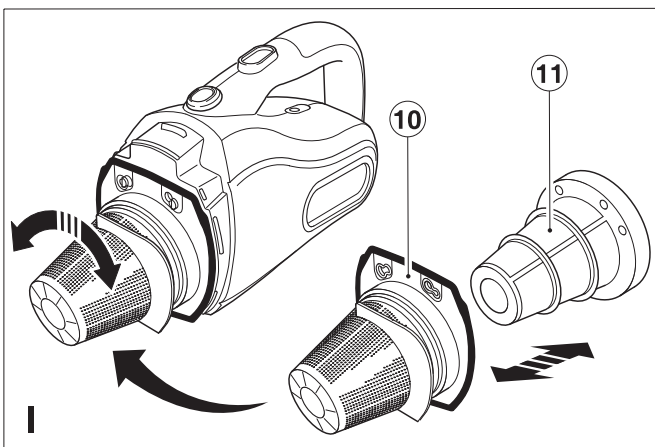
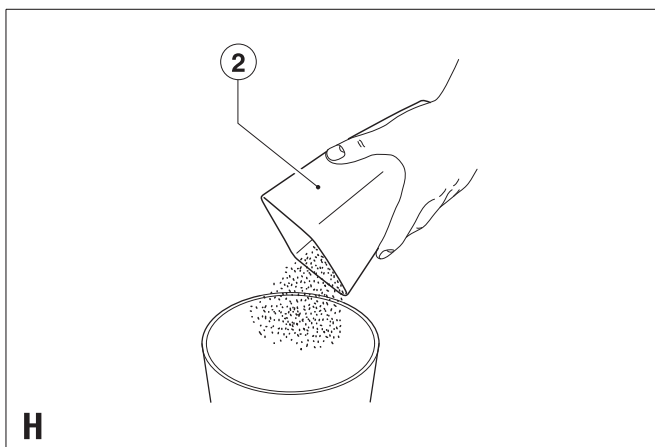
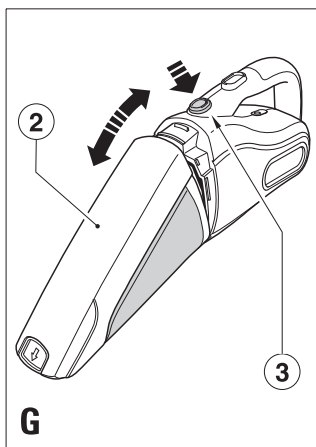
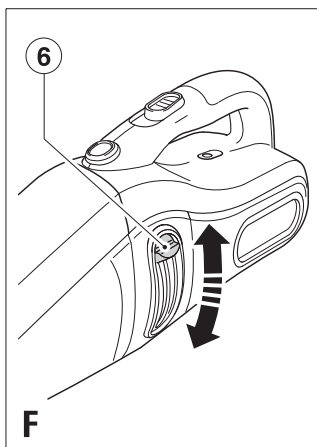
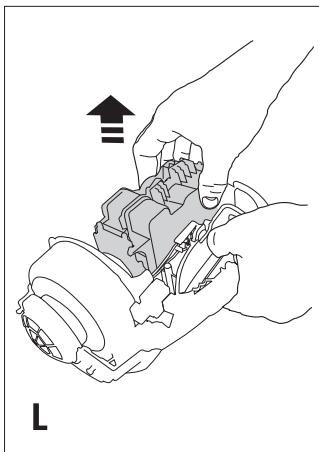
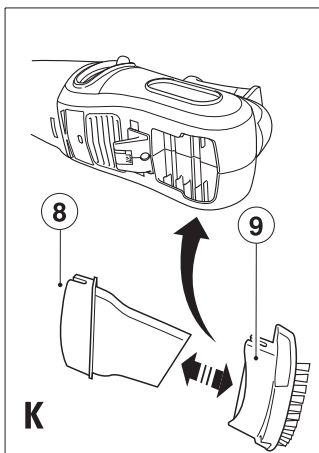
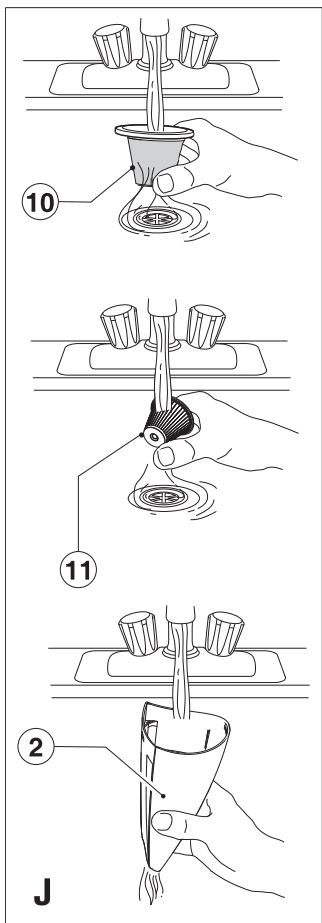


English	(Original instructions)	6
Deutsch	(Übersetzung der ursprünglichen Anweisungen)	12
Français	(Traduction des instructions initiales)	19
Italiano	(Traduzione del testo originale)	25
Nederlands	(Vertaling van de originele instructies)	31
Español	(Traducción de las instrucciones originales)	37
Português	(Tradução das instruções originais)	43
Svenska	(Översättning av originalanvisningarna)	49
Norsk	(Oversettelse av de opprinnelige instruksjonene)	55
Dansk	(Oversættelse af de oprindelige instruktioner)	61
Suomi	(Alkuperäisten ohjeiden käännös)	67
Ελληνικά	(Μετάφραση των πρωτότυπων οδηγιών)	73







Intended use

Your Black & Decker Dustbuster® hand-held vacuum cleaner has been designed for light dry vacuum cleaning purposes. This appliance is intended for household use only.

Design and Patent information

EC Design Registration Numbers:

- ◆ 607643-0001
- ◆ 607668-0001
- ◆ 607650-0001

Safety instructions

Warning! When using battery-powered appliances, basic safety precautions, including the following, should always be followed to reduce the risk of fire, leaking batteries, personal injury and material damage.

- ◆ Read all of this manual carefully before using the appliance.
- ◆ The intended use is described in this manual. The use of any accessory or attachment or the performance of any operation with this appliance other than those recommended in this instruction manual may present a risk of personal injury.
- ◆ Retain this manual for future reference.

Using your appliance

- ◆ Do not use the appliance to pick up liquids or any materials that could catch fire.
- ◆ Do not use the appliance near water.
- ◆ Do not immerse the appliance in water.
- ◆ Never pull the charger lead to disconnect the charger from the socket. Keep the charger lead away from heat, oil and sharp edges.
- ◆ This appliance is not intended for use by young or infirm persons without supervision. Children must be supervised to ensure they do not play with the appliance.

After use

- ◆ Unplug the charger before cleaning the charger or charging base.

- ◆ When not in use, the appliance should be stored in a dry place.
- ◆ Children should not have access to stored appliances.

Inspection and repairs

- ◆ Before use, check the appliance for damaged or defective parts. Check for breakage of parts, damage to switches and any other conditions that may affect its operation.
- ◆ Do not use the appliance if any part is damaged or defective.
- ◆ Have any damaged or defective parts repaired or replaced by an authorized repair agent.
- ◆ Regularly check the charger lead for damage. Replace the charger if the lead is damaged or defective.
- ◆ Never attempt to remove or replace any parts other than those specified in this manual.

Additional safety instructions - batteries and chargers

Batteries

- ◆ Never attempt to open for any reason.
- ◆ Do not expose the battery to water.
- ◆ Do not expose the battery to heat.
- ◆ Do not store in locations where the temperature may exceed 40°C.
- ◆ Charge only at ambient temperatures between 10°C and 40°C.
- ◆ Charge only using the charger provided with the appliance/tool. Using the wrong charger could result in an electric shock or overheating of the battery.
- ◆ When disposing of batteries, follow the instructions given in the section "Protecting the environment".
- ◆ Do not damage/deform the battery pack either by puncture or impact, as this may create a risk of injury and fire.
- ◆ Do not charge damaged batteries.
- ◆ Under extreme conditions, battery leakage may occur. When you notice liquid on the batteries carefully wipe

the liquid off using a cloth. Avoid skin contact.

- ◆ In case of skin or eye contact, follow the instructions below.

Warning! The battery fluid may cause personal injury or damage to property. In case of skin contact, immediately rinse with water. If redness, pain or irritation occurs seek medical attention. In case of eye contact, rinse immediately with clean water and seek medical attention.

Chargers

Your charger has been designed for a specific voltage. Always check that the mains voltage corresponds to the voltage on the rating plate.

Warning! Never attempt to replace the charger unit with a regular mains plug.

- ◆ Use your Black & Decker charger only to charge the battery in the appliance/tool with which it was supplied. Other batteries could burst, causing personal injury and damage.
- ◆ Never attempt to charge non-rechargeable batteries.
- ◆ If the supply cord is damaged, it must be replaced by the manufacturer or an authorised Black & Decker Service Centre in order to avoid a hazard.
- ◆ Do not expose the charger to water.
- ◆ Do not open the charger.
- ◆ Do not probe the charger.
- ◆ The appliance/tool/battery must be placed in a well ventilated area when charging.

Safety of others

- ◆ This appliance is not intended for use by persons (including children) with reduced physical, sensory or mental capabilities, or lack of experience and knowledge, unless they have been given supervision or instruction concerning the use of the appliance by a person responsible for their safety.
- ◆ Children should be supervised to ensure that they do not play with the appliance.

Electrical safety

Your charger has been designed for a specific voltage. Always check that the mains voltage corresponds to the voltage on the rating plate. Never attempt to replace the charger unit with a regular mains plug.

Symbols on the charger



Your charger is double insulated; therefore no earth wire is required.



Read all of this instruction manual carefully.



Fail-safe isolating transformer. The mains supply is electrically separated from the transformer output.



The charging base is intended for indoor use only.

Features

1. Dust collector extension
2. Dust collector
3. Release button
4. On/Off switch
5. Charging indicator
6. Filter cleaning button
7. Charging base

Fig. A

8. Crevice tool
9. Brush tool

Installation

Fitting the charging base to the wall

The charging base can be placed on a work top or fitted to the wall to provide a convenient storage and charging point for the appliance.

When fixing to a wall, make sure that the fixing method is suitable for the wall type and is appropriate to the weight of the appliance.

Assembly

Fitting the accessories (fig. A & B)

This model is supplied with the following accessories:

- ◆ A crevice tool (8) for confined spaces.
- ◆ A brush tool (9) for furniture and stairs.

To fit an accessory, proceed as follows:

- ◆ Take the accessories from its storage position on the appliance or charging base (7) (fig. L & M).
- ◆ Insert the appropriate accessory into the front of the appliance.

Residual risks

Additional residual risks may arise when using the tool which may not be included in the enclosed safety warnings. These risks can arise from misuse, prolonged use etc.

Even with the application of the relevant safety regulations and the implementation of safety devices, certain residual risks cannot be avoided. These include:

- ◆ Injuries caused by touching any rotating/moving parts.
- ◆ Injuries caused when changing any parts, blades or accessories.
- ◆ Injuries caused by prolonged use of a tool. When using any tool for prolonged periods make sure you take regular breaks.
- ◆ Impairment of hearing.
- ◆ Health hazards caused by breathing dust developed when using your tool (example:- working with wood, especially oak, beech and MDF).

Use

- ◆ Before first use, the battery must be fully charged.
- ◆ Place the appliance on the charging base whenever it is not in use.

Charging the battery (fig. C)

Before charging the battery:

- ◆ Make sure that the dust collector extension (1) is pushed back into the dust collector (2).
- ◆ Make sure that the appliance is switched off. The battery will not be charged with the on/off switch (4) in the on position.
- ◆ Place the appliance on the charging base (7) as shown.
- ◆ Plug in the charger. Switch on at the mains.

While charging, the charger may become warm. This is normal and does not indicate a problem. The appliance can be left connected to the charger indefinitely.

The charger on this unit has been designed to save energy but also give faster charging. When the unit is in the fast charge mode the charge indicator (5) will be illuminated most of the time with short off periods. When the charger detects that full charge has been reached the charger will change modes and the indicator will be off most of the time with short pulses on showing that the charger is maintaining the battery charge and keeping the product ready for use. The charge time to recharge a fully discharged battery will be about 5 hours.

Adjusting the dust collector (fig. D)

- ◆ Extend the dust collector (2) by pulling the dust collector extension (1) until it locks into position.
- ◆ Retract the dust collector extension (1) by pressing the area (12) marked with an arrow and pushing the dust collector extension (1) back into the dust collector (2).

Switching on and off (fig. E)

- ◆ To switch the appliance on, slide the on/off switch (4) forward.
- ◆ To switch the appliance off, slide the on/off switch (4) back.

Optimising the suction force (fig. F)

In order to keep the suction force optimised, the filters must be cleared regularly during use.

- ◆ Slide the filter cleaning button (6) up and down a few times to shake out dust clogging the filters (10 & 11).

Cleaning and maintenance

Warning! Regularly clean the filters (10 & 11).

Cleaning the dust collector and filters (fig. G - J)

The filters are re-usable and should be cleaned regularly.

- ◆ Press the release button (3) and remove the dust collector (2).
- ◆ Empty the dust collector (2) (fig. H).
- ◆ Remove the filters (10 & 11) by twisting them clockwise (fig. I).
- ◆ Separate the filters (10 & 11)
- ◆ Brush any loose dust from the filters (10 & 11).
- ◆ Wash the filters in warm, soapy water (fig. J). The dust collector (2) can also be washed if necessary.

Warning! Do not immerse the appliance in water.

- ◆ Make sure that the dust collector (2) and the filters (10 & 11) are dry.
- ◆ Refit the filters (10 & 11) on to the appliance, twisting them counter-clockwise until they lock into place.
- ◆ Refit the dust collector (2) onto the appliance. Make sure that the dust collector clicks into place.

Warning! Never use the appliance without the filters. Optimum dust collection will only be achieved with clean filters.

Replacing the filters

The filters should be replaced every 6 to 9 months and whenever worn or damaged. A replacement filter (9) is available from your Black & Decker dealer (cat. no. VF70):

- ◆ Remove the old filters as described above.
- ◆ Fit the new filters as described above.

Storing the accessories (fig. K & L)

- ◆ Press the accessories into the corresponding holders until they click into place.

Protecting the environment



Separate collection. This product must not be disposed of with normal household waste.

Should you find one day that your Black & Decker product needs replacement, or if it is of no further use to you, do not dispose of it with household waste. Make this product available for separate collection.



Separate collection of used products and packaging allows materials to be recycled and used again. Re-use of recycled materials helps prevent environmental pollution and reduces the demand for raw materials.

Local regulations may provide for separate collection of electrical products from the household, at municipal waste sites or by the retailer when you purchase a new product.

Black & Decker provides a facility for the collection and recycling of Black & Decker products once they have reached the end of their working life. To take advantage of this service please return your product to any authorised repair agent who will collect them on our behalf.

You can check the location of your nearest authorised repair agent by contacting your local Black & Decker office at the address indicated in this manual. Alternatively, a list of authorised Black & Decker repair agents and full details of our after-sales service and contacts are available on the Internet at: www.2helpU.com.

Battery (fig. L)



If you want to dispose of the product yourself, the battery must be removed as described below and disposed of in accordance with local regulations.

- ◆ Preferably discharge the battery by operating the appliance until the motor stops.
- ◆ Press the release button (3) and remove the dust collector (2).
- ◆ Remove the filters (10 & 11) by twisting them clockwise (fig. I).
- ◆ Remove the seven screws holding the body of the appliance together.
- ◆ Pull the cover half away from the location half.
- ◆ prise the small cover from the filter cleaning slider and remove the slider securing screw.
- ◆ lift out the full motor/fan/battery assembly
- ◆ Unplug the battery assembly from the main assembly.
- ◆ Place the battery in a suitable packaging to ensure that the terminals cannot be short-circuited.
- ◆ Take the battery to your service agent or to a local recycling station.

Once removed, the battery cannot be refitted.

Instruction manual

This instruction manual is made from 100% recycled material and can be recycled when it is of no further use to you.

Technical data

DV1205EN H3	
Voltage	Vdc 12.0
Battery	type NiMH
Weight	kg 1.5

Charger	CHA01005*
Model	DV1205EN
Input voltage	Vac 100-240
Output voltage	Vdc 8-23
Output current	mA 400
Approx. charging time	h 5
Weight	kg 0,3

Level of sound pressure, measured according to EN60704-1: <70 dB(A)

Guarantee

Black & Decker is confident of the quality of its products and offers an outstanding guarantee. This guarantee statement is in addition to and in no way prejudices your statutory rights. The guarantee is valid within the territories of the Member States of the European Union and the European Free Trade Area.

If a Black & Decker product becomes defective due to faulty materials, workmanship or lack of conformity, within 24 months from the date of purchase, Black & Decker guarantees to replace defective parts, repair products subjected to fair wear and tear or replace such products to make sure of the minimum inconvenience to the customer unless:

- ◆ The product has been used for trade, professional or hire purposes.
- ◆ The product has been subjected to misuse or neglect.
- ◆ The product has sustained damage through foreign objects, substances or accidents.
- ◆ Repairs have been attempted by persons other than authorised repair agents or Black & Decker service staff.

To claim on the guarantee, you will need to submit proof of purchase to the seller or an authorised repair agent. You can check the location of your nearest authorised repair agent by contacting your local Black & Decker office at the address indicated in this manual.

Alternatively, a list of authorised Black & Decker repair agents and full details of our after-sales service and contacts are available on the Internet at:

www.2helpU.com

Please visit our website

www.blackanddecker.co.uk to register your new Black & Decker product and to be kept up to date on new products and special offers. Further information on the Black & Decker brand and our range of products is available at **www.blackanddecker.co.uk**.

Bestimmungsgemäße Verwendung

Der Handstaubsauger Black & Decker Dustbuster® wurde zum Saugen von leichtem, trockenem Schmutz entwickelt. Dieses Gerät ist nicht für den gewerblichen Einsatz vorgesehen.

Patent- und Geschmacksmusterschutz

Gemeinschaftsgeschmacksmuster-Nummern:

- ◆ 607643-0001
- ◆ 607668-0001
- ◆ 607650-0001

Sicherheitshinweise

Achtung! Beachten Sie beim Umgang mit akku- oder batteriebetriebenen Geräten stets die grundlegenden Sicherheitshinweise, einschließlich der folgenden. Dadurch verhindern Sie so weit wie möglich das Entstehen von Bränden, das Auslaufen von Batterien oder Akkus sowie Sach- und Personenschäden.

- ◆ Lesen Sie diese Anleitung vollständig und aufmerksam durch, bevor Sie das Gerät zum ersten Mal verwenden.
- ◆ Der vorgesehene Verwendungszweck ist in dieser Anleitung beschrieben. Bei Verwendung von Zubehör oder Anbauteilen, die nicht in dieser Anleitung empfohlen sind, sowie bei der Bedienung des Geräts in Abweichung von den in dieser Anleitung beschriebenen Verfahren besteht Verletzungsgefahr.
- ◆ Heben Sie diese Anleitung auf.

Verwendung des Geräts

- ◆ Benutzen Sie das Gerät nicht zum Aufsaugen entzündlicher Flüssigkeiten oder Materialien.
- ◆ Betreiben Sie das Gerät nicht in der Nähe von Wasser.
- ◆ Tauchen Sie das Gerät nicht in Wasser.

- ◆ Ziehen Sie das Ladegerät nicht am Kabel aus der Netzsteckdose. Achten Sie darauf, dass das Kabel des Ladegeräts nicht in Kontakt mit starker Hitze, Öl oder scharfen Gegenständen kommt.
- ◆ Dieses Gerät darf ohne Aufsicht nicht von jungen oder schwachen Personen verwendet werden. Kinder müssen beaufsichtigt werden, um sicherzustellen, dass sie nicht mit dem Gerät spielen.

Nach dem Gebrauch

- ◆ Ziehen Sie das Ladegerät aus der Netzsteckdose, bevor Sie das Ladegerät oder die Ladestation reinigen.
- ◆ Bewahren Sie das Gerät bei Nichtgebrauch an einem trockenen Ort auf.
- ◆ Kinder sollten keinen Zugang zu aufbewahrten Geräten haben.

Inspektion und Reparaturen

- ◆ Prüfen Sie das Gerät vor der Verwendung auf beschädigte oder defekte Teile. Prüfen Sie, ob Teile gebrochen sind, Schalter beschädigt sind oder ob andere Bedingungen vorliegen, die die Funktion beeinträchtigen könnten.
- ◆ Betreiben Sie das Gerät nicht, wenn ein Teil beschädigt oder defekt ist.
- ◆ Lassen Sie beschädigte oder defekte Teile in einer Vertragswerkstatt reparieren oder austauschen.
- ◆ Überprüfen Sie das Ladegerätkabel in regelmäßigen Abständen auf Beschädigungen. Tauschen Sie das Ladegerät aus, wenn das Kabel beschädigt oder defekt ist.
- ◆ Ersetzen oder entfernen Sie keine Teile, für die in dieser Anleitung keine entsprechende Beschreibung enthalten ist.

Zusätzliche Sicherheitshinweise für Akkus und Ladegeräte

Akkus

- ◆ Auf keinen Fall öffnen.

- ◆ Achten Sie darauf, dass der Akku nicht mit Wasser in Berührung kommt.
- ◆ Setzen Sie den Akku keinen hohen Temperaturen aus.
- ◆ Nicht bei Temperaturen über 40°C lagern.
- ◆ Laden Sie den Akku ausschließlich bei Umgebungstemperaturen zwischen 10°C und 40°C.
- ◆ Verwenden Sie ausschließlich das mit dem Gerät gelieferte Ladegerät. Das Verwenden des falschen Ladegeräts kann zu einem Stromschlag oder dem Überhitzen des Akkus führen.
- ◆ Bei der Entsorgung von Akkus oder Batterien die Hinweise im Abschnitt „Umweltschutz“ beachten.
- ◆ Der Akku darf nicht durch mechanische Krafteinwirkung oder Belastungen beschädigt oder verformt werden. Andernfalls besteht Verletzungs- und Brandgefahr.
- ◆ Laden Sie beschädigte Akkus nicht auf.
- ◆ Unter extremen Bedingungen können Akkus undicht werden. Wenn Sie feststellen, dass aus dem Akku Flüssigkeit austritt, wischen Sie diese vorsichtig mit einem Tuch ab. Vermeiden Sie Hautkontakt.
- ◆ Beachten Sie nach Haut- oder Augenkontakt die folgenden Hinweise.

Achtung! Batteriesäure kann Sach- oder Personenschäden verursachen. Spülen Sie die Säure nach Hautkontakt sofort mit Wasser ab. Suchen Sie einen Arzt auf, wenn sich auf der Haut Rötungen, Reizungen oder andere Irritationen zeigen. Spülen Sie das Auge nach Augenkontakt sofort mit sauberem Wasser aus, und suchen Sie einen Arzt auf.

Ladegeräte

Das Ladegerät ist für eine bestimmte Spannung ausgelegt. Stellen Sie sicher, dass die Netzspannung der auf dem Typenschild des Geräts angegebenen Spannung entspricht.

Achtung! Ersetzen Sie das Ladegerät keinesfalls durch ein normales Netzkabel.

- ◆ Verwenden Sie das Black & Decker Ladegerät nur für den Akku des Geräts, mit dem es geliefert wurde. Andere Akkus könnten platzen und Sachschäden oder Verletzungen verursachen.
- ◆ Versuchen Sie keinesfalls, nicht aufladbare Batterien zu laden.
- ◆ Ist das Netzkabel beschädigt, muss es durch den Hersteller oder eine Black & Decker Vertragswerkstatt ausgetauscht werden, um eine mögliche Gefährdung zu vermeiden.
- ◆ Achten Sie darauf, dass das Ladegerät nicht mit Wasser in Berührung kommt.
- ◆ Versuchen Sie nicht, das Ladegerät zu öffnen.
- ◆ Nehmen Sie am Ladegerät keine Veränderungen vor.
- ◆ Während das Gerät/der Akku geladen wird, muss auf ausreichende Belüftung geachtet werden.

Sicherheit anderer Personen

- ◆ Dieses Gerät darf nicht von Personen (einschließlich Kindern) mit eingeschränkten körperlichen, sensorischen oder geistigen Fähigkeiten sowie mangelnder Erfahrung und Wissen in Bezug auf dessen Gebrauch bedient werden, es sei denn, sie werden bei der Verwendung des Geräts von einer für die Sicherheit verantwortlichen Person beaufsichtigt oder angeleitet.
- ◆ Kinder müssen beaufsichtigt werden, um sicherzustellen, dass sie nicht mit dem Gerät spielen.

Elektrische Sicherheit

Das Ladegerät ist für eine bestimmte Spannung ausgelegt. Stellen Sie sicher, dass die Netzspannung der auf dem Typenschild des Geräts angegebenen Spannung entspricht. Ersetzen Sie das Ladegerät keinesfalls durch ein normales Netzkabel.

Symbole auf dem Ladegerät



Das Ladegerät ist schutzisoliert, daher ist keine Erdleitung erforderlich.



Lesen Sie diese Anleitung vollständig und aufmerksam durch.



Ausfallsicherer Trenntrafo. Der Trafoausgang ist elektrisch von der Netzstromversorgung getrennt.



Die Ladestation darf nur im Innenbereich verwendet werden.

Merkmale

1. Staubbehälterverlängerung
2. Staubbehälter
3. Entriegelungstaste
4. Ein-/Ausschalter
5. Ladeanzeige
6. Filterreiniger
7. Ladestation

Abb. A

8. Fugendüse
9. Polsterdüse

Installation

Anbringen der Ladestation an der Wand

Die Ladestation kann auf einer Arbeitsfläche abgelegt oder an einer Wand befestigt werden, so dass ein bequem erreichbarer Ort zum Aufbewahren und Laden des Geräts zur Verfügung steht.

Achten Sie bei der Wandmontage darauf, dass die gewählten Befestigungsmittel

für den jeweiligen Wandbaustoff geeignet sind und das Gerätegewicht tragen können.

Montage

Anbringen der Zubehörteile (Abb. A und B)

Zum Lieferumfang dieses Modells gehört folgendes Zubehör:

- ◆ Fugendüse (8) für beengte Platzverhältnisse
- ◆ Polsterdüse (9) für Möbel und Treppen

So bringen Sie ein Zubehörteil an:

- ◆ Nehmen Sie die Zubehörteile aus dem Aufbewahrungsbehälter oder aus der Ladestation (7) (Abb. L und M).
- ◆ Schieben Sie das Zubehörteil vorn in die Saugöffnung des Geräts ein.

Restrisiken

Für den Gebrauch dieses Geräts verbleiben zusätzliche Restrisiken, die möglicherweise nicht in den Sicherheitswarnungen genannt werden. Diese Risiken bestehen beispielsweise bei Missbrauch oder längerem Gebrauch.

Auch bei der Einhaltung der entsprechenden Sicherheitsvorschriften und der Verwendung aller Sicherheitsgeräte bestehen weiterhin bestimmte Restrisiken. Diese werden im Folgenden aufgeführt:

- ◆ Verletzungen, die durch das Berühren von sich drehenden/ bewegenden Teilen verursacht werden.
- ◆ Verletzungen, die durch das Austauschen von Teilen, Messern oder Zubehör verursacht werden.
- ◆ Verletzungen, die durch längeren Gebrauch eines Geräts verursacht werden. Legen Sie bei längerem Gebrauch regelmäßige Pausen ein.
- ◆ Beeinträchtigung des Gehörs.
- ◆ Gesundheitsrisiken durch das Einatmen von Staub beim Gebrauch des Geräts (Beispielsweise bei

Holzarbeiten, insbesondere Eiche, Buche und Pressspan).

Gebrauch

- ◆ Der Akku muss vor der ersten Verwendung vollständig aufgeladen werden.
- ◆ Setzen Sie das Gerät in die Ladestation ein, wenn Sie es nicht verwenden.

Laden der Batterie (Abb. C)

Vor dem Laden des Akkus:

- ◆ Achten Sie darauf, dass die Staubbehälterverlängerung (1) in den Staubbehälter (2) eingeschoben ist.
- ◆ Vergewissern Sie sich, dass das Gerät ausgeschaltet ist. Wenn sich der Ein-/Aus-Schalter (4) in der Stellung „Ein“ befindet, wird der Akku nicht geladen.
- ◆ Setzen Sie das Gerät wie in der Abbildung gezeigt in die Ladestation (7) ein.
- ◆ Schließen Sie das Ladegerät an eine Netzsteckdose an. Schalten Sie ggf. die Netzstromversorgung ein.

Das Ladegerät kann sich während des Aufladens erwärmen. Dies ist normal. Das Ladegerät kann beliebig lange am Gerät angeschlossen bleiben.

Das Ladegerät dieses Geräts wurde dazu entwickelt, Energie zu sparen und gleichzeitig den Ladevorgang zu beschleunigen. Im Schnelllademodus leuchtet die Ladeanzeige (5) mit kurzen Unterbrechungen. Nach dem Abschluss des Ladevorgangs ändert sich der Modus des Ladegeräts. Durch kurzes Blinken der Anzeige wird angezeigt, dass der Akkuladezustand gehalten wird und das Gerät betriebsbereit ist. Zum Laden eines vollständig entladenen Akkus werden ca. 5 Stunden benötigt.

Entleeren des Staubbehälters (Abb. D)

- ◆ Der Staubbehälter (2) kann verlängert werden. Ziehen Sie hierzu die Staubbehälterverlängerung (1) heraus, bis diese einrastet.

- ◆ Wenn Sie die Staubbehälterverlängerung (1) nicht mehr benötigen, drücken Sie den mit Pfeil gekennzeichneten Bereich (12), und schieben die Verlängerung (1) zurück in den Staubbehälter.

Ein- und Ausschalten (Abb. E)

- ◆ Zum Einschalten des Geräts schieben Sie den Ein-/Aus-Schalter (4) nach vorn.
- ◆ Zum Ausschalten des Geräts schieben Sie den Ein-/Aus-Schalter (4) nach hinten.

Optimieren der Saugkraft (Abb. F)

Damit das Gerät stets die bestmögliche Saugkraft erzeugt, müssen die Filter während des Gebrauchs regelmäßig gereinigt werden.

- ◆ Schieben Sie den Filterreiniger (6) mehrere Male hoch und runter, um den Staub auszuschütteln, der die Filter (10 und 11) verstopft.

Reinigung und Pflege

Achtung! Reinigen Sie die Filter (10 und 11) in regelmäßigen Abständen.

Reinigen des Staubbehälters und der Filter (Abb. G bis J)

Die Filter sind wieder verwendbar und sollten regelmäßig gereinigt werden.

- ◆ Drücken Sie die Entriegelungstaste (3), und nehmen Sie den Staubbehälter (2) ab.
- ◆ Leeren Sie den Staubbehälter (2) (Abb. H).
- ◆ Entfernen Sie die Filter (10 und 11) durch Drehen im Uhrzeigersinn (Abb. I).
- ◆ Trennen Sie die Filter (10 und 11).
- ◆ Entfernen Sie mit Hilfe einer Bürste losen Staub von den Filtern (10 und 11).
- ◆ Spülen Sie die Filter in warmer Seifenlauge aus (Abb. J). Der Staubbehälter (2) kann ebenfalls auf diese Weise gereinigt werden.

Achtung! Tauchen Sie das Gerät nicht in Wasser.

- ◆ Staubbehälter (2) und Filter (10 und 11) müssen vor dem Wiedereinbau vollständig trocken sein.
- ◆ Bringen Sie die Filter (10 und 11) wieder am Gerät an. Drehen Sie die Filter dazu gegen den Uhrzeigersinn, bis diese an der Endposition einrasten.
- ◆ Bringen Sie den Staubbehälter (2) wieder am Gerät an. Achten Sie darauf, dass er hörbar einrastet.

Achtung! Betreiben Sie das Gerät nie ohne Filter. Die beste Reinigungswirkung erzielen Sie bei sauberen Filtern.

Ersetzen der Filter

Die Filter sollten alle 6 bis 9 Monate ersetzt werden, bei sichtbaren Verschleißspuren oder Beschädigungen auch früher. Ersatzfilter (9) erhalten Sie von Ihrem Black & Decker Vertragshändler (Katalognr. VF70):

- ◆ Entfernen Sie die verbrauchten Filter, wie oben beschrieben.
- ◆ Bringen Sie die neuen Filter an, wie oben beschrieben.

Aufbewahren des Zubehörs (Abb. K und L)

- ◆ Setzen Sie die Zubehörteile in die dafür vorgesehenen Halterungen ein, bis sie einrasten.

Umweltschutz



Getrennte Entsorgung. Dieses Produkt darf keinesfalls mit dem Hausmüll entsorgt werden.

Sollten Sie das Gerät durch ein neues Gerät ersetzen wollen oder keine Verwendung mehr dafür haben, denken Sie bitte an den Schutz der Umwelt. Black & Decker nimmt Ihre ausgedienten Black & Decker-Geräte gern zurück und

sorgt für eine umweltgerechte Entsorgung.



Durch die separate Sammlung von ausgedienten Produkten und Verpackungsmaterialien können Rohstoffe recycelt und wieder verwendet werden. Die Wiederverwendung aufbereiteter Materialien trägt zur Vermeidung der Umweltverschmutzung bei und senkt den Rohstoffbedarf.

Die Verordnung zur Abfallentsorgung Ihrer Gemeinde sieht möglicherweise vor, dass Elektrogeräte getrennt vom Hausmüll gesammelt, an der örtlichen Abfallentsorgungseinrichtung abgegeben oder beim Kauf eines neuen Produkts vom Fachhandel zur Entsorgung angenommen werden müssen.

Black & Decker nimmt Ihre ausgedienten Black & Decker Geräte gern zurück und sorgt für eine umweltfreundliche Entsorgung bzw. Wiederverwertung. Um diese Dienstleistung in Anspruch zu nehmen, geben Sie das Gerät bitte bei einer autorisierten Reparaturwerkstatt ab, die für uns die Einsammlung übernimmt.

Die Adresse der zuständigen Niederlassung von Black & Decker steht in dieser Anleitung. Diese teilt Ihnen gerne die nächstgelegene Vertragswerkstatt mit. Außerdem ist eine Liste der Vertragswerkstätten und aller Kundendienststellen von Black & Decker sowie der zuständigen Ansprechpartner im Internet zu finden unter: www.2helpU.com.

Akku (Abb. L)



Wenn Sie das Gerät selbst entsorgen, müssen Sie den Akku wie unten beschrieben herausnehmen und ihn gemäß der Abfallentsorgungssatzung Ihrer Gemeinde entsorgen.

- ◆ Sorgen Sie dafür, dass der Akku vollständig entladen ist. Schalten Sie dazu das Gerät ein, und warten Sie, bis der Motor zum Stillstand kommt.
- ◆ Drücken Sie die Entriegelungstaste (3), und nehmen Sie den Staubbehälter (2) ab.
- ◆ Entfernen Sie die Filter (10 und 11) durch Drehen im Uhrzeigersinn (Abb. I).
- ◆ Lösen Sie die Schrauben, die das Gerät zusammenhalten.
- ◆ Ziehen Sie die Abdeckung zur Hälfte auf.
- ◆ Stemmen Sie die kleine Abdeckung am Filterreiniger auf, und entfernen Sie die Sicherungsschraube des Schiebers.
- ◆ Lösen Sie sowohl den Motor als auch den Lüfter und den Akku vollständig aus dem Gerät.
- ◆ Lösen Sie den Akkubausatz aus der Hauptbaugruppe.
- ◆ Verpacken Sie die Batterie in einem geeigneten Behälter, sodass die Batteriekontakte nicht kurzgeschlossen werden können.
- ◆ Bringen Sie den Akku zu Ihrer Vertragswerkstatt oder zu einer Rücknahmestelle in Ihrer Nähe.

Ein entnommener Akku kann nicht wieder eingesetzt werden.

Anleitung

Diese Anleitung wurde vollständig aus recycelten Materialien hergestellt und kann erneut recycelt werden, wenn sie nicht mehr benötigt wird.

Technische Daten

DV1205EN H3	
Spannung	Vdc 12,0
Akku	Typ NiMH
Gewicht	kg 1,5

Ladegerät	CHA01005*
Modell	DV1205EN
Eingangsspannung	Vac 100-240
Ausgangsspannung	Vdc 8-23
Ausgangsstrom	mA 400
Ungefähre Dauer des Ladevorgangs (Minstdauer)	Std 5
Gewicht	kg 0,3

Schalldruckpegel gemäß EN60704-1: <70 dB(A)

Garantie

Black & Decker vertraut auf die Qualität der eigenen Geräte und bietet dem Käufer eine außergewöhnliche Garantie. Diese Garantiezusage versteht sich unbeschadet der gesetzlichen Gewährleistungsansprüche und schränkt diese keinesfalls ein. Sie gilt in sämtlichen Mitgliedstaaten der Europäischen Union und der Europäischen Freihandelszone EFTA. Tritt innerhalb von 24 Monaten ab Kaufdatum an einem Gerät von Black & Decker ein auf Material- oder Verarbeitungsfehler zurückzuführender Mangel auf, garantiert Black & Decker den Austausch defekter Teile, die Reparatur von Geräten mit üblichem Verschleiß bzw. den Austausch eines mangelhaften Gerätes, ohne dass dem Kunden dabei mehr als unvermeidlich Unannehmlichkeiten entstehen, allerdings vorbehaltlich folgender Ausnahmen:

- ◆ wenn das Gerät gewerblich, beruflich oder im Verleihgeschäft benutzt wurde;
- ◆ wenn das Gerät missbräuchlich verwendet oder mit mangelnder Sorgfalt behandelt wurde;

- ◆ wenn das Gerät durch irgendwelche Fremdeinwirkung beschädigt wurde;
- ◆ wenn ein unbefugter Reparaturversuch durch anderes Personal als das einer Vertragswerkstatt oder des Black & Decker Kundendienstes unternommen wurde.

Zur Inanspruchnahme dieser Garantie ist dem Verkäufer bzw. der Vertragswerkstatt ein Kaufnachweis vorzulegen. Die Adresse der zuständigen Niederlassung von Black & Decker steht in dieser Anleitung. Diese teilt Ihnen gerne die nächstgelegene Vertragswerkstatt mit. Außerdem ist eine Liste der Vertragswerkstätten und aller Kundendienststellen von Black & Decker sowie der zuständigen Ansprechpartner im Internet zu finden unter:

www.2helpU.com

Bitte besuchen Sie unsere Webseite **www.blackanddecker.de**, um Ihr neues Black & Decker-Produkt zu registrieren. Dort erhalten Sie auch Informationen über neue Produkte und Sonderangebote. Weitere Informationen über die Marke Black & Decker und unsere Produkte finden Sie unter **www.blackanddecker.de**.

Utilisation

Votre aspirateur à main Dustbuster Black & Decker® est conçu pour les petits travaux de nettoyage. Il est destiné à une utilisation exclusivement domestique.

Conception et brevet

Numéros d'enregistrement de conception EC :

- ◆ 607643-0001
- ◆ 607668-0001
- ◆ 607650-0001

Consignes de sécurité

Attention ! De simples précautions de sécurité sont à prendre pour l'utilisation d'appareil alimenté par batterie. Les conseils suivants doivent toujours être appliqués, ceci afin de réduire le risque d'incendie, les fuites de batterie, les blessures et les dommages matériels.

- ◆ Lisez attentivement et entièrement le manuel avant d'utiliser l'appareil.
- ◆ Ce manuel décrit comment utiliser cet appareil. L'utilisation d'un accessoire ou d'une fixation, ou bien l'utilisation de cet appareil à d'autres fins que celles recommandées dans ce manuel d'instruction peut présenter un risque de blessures.
- ◆ Gardez ce manuel pour référence ultérieure.

Utilisation de votre appareil

- ◆ N'utilisez pas cet appareil pour aspirer des liquides ou des matériaux qui pourraient prendre feu.
- ◆ N'utilisez pas l'appareil près d'une source d'eau.
- ◆ Ne plongez pas l'appareil dans l'eau.
- ◆ Ne tirez jamais sur le fil du chargeur pour le débrancher. Maintenez le fil du chargeur éloigné de toute source de chaleur, de zones grasses et de bords tranchants.
- ◆ Cet appareil n'est pas destiné à être utilisé par des personnes jeunes ou déficientes sans surveillance. Afin d'éviter que les enfants jouent avec cet appareil, ne les laissez pas sans surveillance.

Après l'utilisation

- ◆ Débranchez le chargeur pour le nettoyer ou pour nettoyer son support.
- ◆ Quand il n'est pas utilisé, l'appareil doit être rangé dans un endroit sec.
- ◆ Les enfants ne doivent pas avoir accès aux appareils rangés.

Vérification et réparations

- ◆ Avant l'utilisation, vérifiez si l'appareil est en bon état ou si aucune pièce ne manque. Recherchez des pièces cassées, des boutons endommagés et d'autres anomalies susceptibles de nuire au bon fonctionnement de l'appareil.
- ◆ N'utilisez pas l'appareil si une pièce est endommagée ou défectueuse.
- ◆ Faites réparer ou remplacer les pièces défectueuses ou endommagées par un réparateur agréé.
- ◆ Vérifiez régulièrement l'état du fil du chargeur. Si le fil est endommagé ou défectueux, remplacez le chargeur.
- ◆ Ne tentez jamais de retirer ou de remplacer des pièces autres que celles citées dans ce manuel.

Consignes de sécurité supplémentaires – batteries et chargeurs

Batteries

- ◆ En aucun cas, n'essayez d'ouvrir l'appareil.
- ◆ Ne mettez pas la batterie en contact avec l'eau.
- ◆ N'approchez pas la batterie d'une source de chaleur.
- ◆ Ne le rangez pas dans des endroits où la température peut dépasser 40°C.
- ◆ Ne chargez qu'à température ambiante comprise entre 10°C et 40°C.
- ◆ N'utilisez que le chargeur fournis avec l'appareil/outil. Le non respect de cette consigne pourrait entraîner un électrotraumatisme ou une surchauffe de la batterie.

- ◆ Pour la mise au rebut des batteries, suivez les instructions données dans la section « Protection de l'environnement ».
- ◆ Ne déformez/n'endommagez pas le bloc batterie en le perçant ou en le cognant, ceci pourrait entraîner des blessures et un incendie.
- ◆ Ne chargez pas les batteries endommagées.
- ◆ Dans des conditions extrêmes, une batterie peut couler. Si vous détectez une fuite, utilisez un chiffon pour essuyer le liquide avec précaution. Évitez tout contact avec la peau.
- ◆ En cas de contact avec la peau ou les yeux, suivez les instructions ci-dessous.

Attention ! Le liquide de batterie peut provoquer des blessures ou des dommages. En cas de contact avec la peau, rincez immédiatement à l'eau. Si des rougeurs, une douleur ou une irritation se produisent, consultez un médecin. En cas de contact avec les yeux, rincez à l'eau et consultez immédiatement un médecin.

Chargeurs

Votre chargeur doit être utilisé avec une tension spécifique. Vérifiez toujours si la tension indiquée sur la plaque signalétique de l'appareil correspond à la tension de secteur.

Attention ! N'essayez jamais de remplacer le chargeur par une prise secteur.

- ◆ N'utilisez votre chargeur Black & Decker que pour charger la batterie fournie avec l'appareil/outil. D'autres batteries pourraient exploser, provoquant des blessures et des dommages.
- ◆ Ne tentez jamais de recharger des batteries non rechargeables.
- ◆ Si le câble d'alimentation est endommagé, il doit être remplacé par le fabricant ou par un centre de réparation agréé Black & Decker pour éviter tout risque.

- ◆ Ne mettez pas le chargeur en contact avec l'eau.
- ◆ N'ouvrez pas le chargeur.
- ◆ Ne testez pas le chargeur.
- ◆ Pour le rechargement, placez l'appareil/outil/batterie dans un endroit correctement aéré.

Sécurité des personnes

- ◆ Cet appareil ne doit pas être utilisé par des personnes (y compris les enfants) ayant des déficiences physiques, mentales ou sensorielles. Cette consigne s'applique aussi aux personnes manquant d'expérience et de connaissance du matériel, à moins que celles-ci n'aient reçu les instructions appropriées ou qu'elles ne soient encadrées par une personne responsable de leur sécurité pour utiliser l'appareil.
- ◆ Ne laissez jamais les enfants sans surveillance pour éviter qu'ils ne jouent avec cet appareil.

Sécurité électrique

Votre chargeur doit être utilisé avec une tension précise. Vérifiez toujours si le voltage indiqué sur la plaque signalétique de l'appareil correspond à la tension de secteur. N'essayez jamais de remplacer le chargeur par une prise secteur.

Symboles sur le chargeur



Votre chargeur est doublement isolé; par conséquent, aucun câble de terre n'est nécessaire.



Lisez attentivement le manuel d'instruction complet.



Transformateur avec isolation de sécurité. L'alimentation secteur est électriquement indépendante de la sortie du transformateur.



Le support de charge ne peut être utilisé qu'à l'intérieur.

Caractéristiques

1. Extension du collecteur de poussière
2. Collecteur de poussière
3. Bouton de dégagement
4. Bouton marche/arrêt (On/Off)
5. Témoin de charge
6. Bouton de nettoyage du filtre
7. Support de charge

Figure A

8. Suceur plat
9. Petite brosse

Installation

Fixation du support de charge au mur

Pour faciliter le rangement et la mise en charge de l'appareil, le support de charge peut être installé sur une surface de travail ou au mur.

Pour l'installation au mur, assurez-vous que la fixation convient au type de mur et au poids de l'appareil.

Assemblage

Installation des accessoires (figure A et B)

Les accessoires suivants sont disponibles :

- ◆ Un suceur plat (8) pour les espaces restreints.
- ◆ Une brosse (9) pour les meubles et les escaliers.

Pour mettre en place un accessoire, effectuez ce qui suit :

- ◆ Sortez les accessoires de leur boîtier sur l'appareil ou sur le support de charge (7) (figure L et M).
- ◆ Insérez l'accessoire approprié à l'avant de l'appareil.

Risques résiduels

L'utilisation d'un outil non mentionné dans les consignes de sécurité données peut entraîner des risques résiduels supplémentaires. Ces risques peuvent survenir si l'outil est mal utilisé, si l'utilisation est prolongée, etc.

Malgré l'application des normes de sécurité correspondantes et la présence de dispositifs de sécurité, les risques

résiduels suivants ne peuvent être évités.

Ceci comprend :

- ◆ Les blessures dues au contact avec une pièce mobile/en rotation.
- ◆ Les blessures causées en changeant des pièces, lames ou accessoires.
- ◆ Les blessures dues à l'utilisation prolongée d'un outil. Une utilisation prolongée de l'outil nécessite des pauses régulières.
- ◆ Déficience auditive.
- ◆ Risques pour la santé causés par l'inhalation de poussières produites pendant l'utilisation de l'outil (exemple : travail avec du bois, surtout le chêne, le hêtre et les panneaux en MDF).

Utilisation

- ◆ La batterie doit être complètement chargée avant sa première utilisation.
- ◆ Placez l'appareil sur le support de charge dès qu'il n'est pas utilisé.

Charge de la batterie (figure C)

Avant de charger la batterie :

- ◆ Vérifiez si l'extension du collecteur de poussière (1) est dans le collecteur de poussière (2).
- ◆ Assurez-vous que l'appareil est débranché. La batterie ne se recharge pas si l'interrupteur marche/arrêt (4) est en position de marche.
- ◆ Placez l'appareil sur le support de charge (7), comme indiqué.
- ◆ Branchez le chargeur. Branchez au secteur.

Pendant le chargement, le chargeur peut chauffer. Ceci est un phénomène normal qui ne représente aucun problème.

L'appareil peut rester branché au chargeur en permanence.

Le chargeur de cet appareil est conçu non seulement pour réaliser des économies d'énergie mais également pour fournir un chargement accéléré. Lorsque l'appareil est en mode de charge rapide, le témoin de charge (5) reste

allumé la plupart du temps sauf pendant de courtes périodes. Lorsque le chargeur détecte que le niveau de charge maximal a été atteint, il change de mode. Le témoin reste éteint la plupart du temps sauf pendant quelques brèves impulsions qui signalent que le chargeur maintient la batterie en charge et permet au produit de rester prêt à l'emploi. Il faut près de cinq heures pour recharger une batterie complètement déchargée.

Ajustement du collecteur de poussière (figure D)

- ◆ Le collecteur de poussière (2) peut être rallongé en tirant l'extension (1) jusqu'à l'enclenchement.
- ◆ Rentrez l'extension (1) en appuyant dans la zone (12) repérée d'une flèche et en poussant l'extension (1) dans le collecteur de poussière (2).

Mise en marche et arrêt (figure E)

- ◆ Pour mettre l'appareil en marche, glissez l'interrupteur marche/arrêt (4) vers l'avant.
- ◆ Pour arrêter l'appareil, glissez l'interrupteur marche/arrêt (4) vers l'arrière.

Force d'aspiration maximum (figure F)

Pour garder la force d'aspiration maximum, les filtres doivent être nettoyés régulièrement.

- ◆ Glissez le bouton de nettoyage du filtre (6) vers le haut et vers le bas plusieurs fois pour faire sortir la poussière des filtres (10 et 11).

Nettoyage et entretien

Attention ! Nettoyez régulièrement les filtres (10 et 11).

Nettoyage du collecteur de poussière et des filtres (figures G et J)

Les filtres sont réutilisables et doivent être nettoyés régulièrement.

- ◆ Appuyez sur le bouton de dégagement (3) et retirez le collecteur de poussière (2).
- ◆ Videz le collecteur de poussière (2) (figure H).

- ◆ Retirez les filtres (10 et 11) en les tournant dans le sens des aiguilles d'une montre (figure I).
- ◆ Séparez les filtres (10 et 11).
- ◆ Brossez la poussière déposée sur les filtres (10 et 11).
- ◆ Nettoyez les filtres à l'eau chaude et au savon (figure J). Le collecteur de poussière (2) peut aussi être nettoyé, le cas échéant.

Attention ! Ne plongez pas l'appareil dans l'eau.

- ◆ Assurez-vous que le collecteur de poussière (2) et les filtres (10 et 11) sont complètement secs.
- ◆ Réinstallez les filtres (10 et 11) sur l'appareil, en les tournant dans le sens contraire des aiguilles d'une montre jusqu'à ce qu'ils soient bloqués.
- ◆ Remontez le collecteur de poussière (2) sur l'appareil. Assurez-vous que le collecteur de poussière est bien enclenché.

Attention ! N'utilisez jamais l'appareil sans les filtres. Pour récupérer le maximum de poussière, utilisez toujours les filtres propres.

Remplacement des filtres

Les filtres doivent être remplacés tous les 6 à 9 mois et chaque fois qu'ils sont usés ou endommagés. Vous trouverez des filtres de rechange (9) chez votre revendeur Black & Decker (cat. N° VF70) :

- ◆ Retirez les filtres usés, comme décrit ci-dessus.
- ◆ Installez les filtres neufs, comme décrit ci-dessus.

Rangement des accessoires (figures K et L)

- ◆ Enclenchez les accessoires dans les supports appropriés.

Protection de l'environnement



Recyclage. Cet appareil ne doit pas être jeté avec les déchets ménagers.

Si votre appareil doit être remplacé ou si vous n'en avez plus l'usage, songez à la protection de l'environnement. Les réparateurs agréés Black & Decker accepteront la collecte d'anciens outils Black & Decker et veilleront à ce que leur mise au rebut ne porte pas atteinte à l'environnement.



La collecte séparée des produits et des emballages usagés permet de recycler et de réutiliser des matériaux. La réutilisation de matériaux recyclés évite la pollution de l'environnement et réduit la demande de matières premières.

Des réglementations locales peuvent stipuler la collecte séparée des produits électriques et des produits ménagers, dans des déchetteries municipales ou par le revendeur lorsque vous achetez un nouveau produit.

Black & Decker offre une solution permettant de recycler les produits Black & Decker lorsqu'ils ont atteint la fin de leur cycle de vie. Pour pouvoir profiter de ce service, veuillez retourner votre produit à un réparateur agréé qui se chargera de le collecter pour nous.

Pour connaître l'adresse du réparateur agréé le plus proche de chez vous, contactez le bureau Black & Decker à l'adresse indiquée dans ce manuel. Vous pourrez aussi trouver une liste de réparateurs agréés de Black & Decker et de plus amples détails concernant notre service après-vente sur le site Internet : www.2helpU.com.

Batterie (figure L)



Si vous jetez l'appareil, vous devez retirer la batterie, comme décrit ci-dessous, et la mettre au rebut conformément aux réglementations locales.

- ◆ Il est préférable de décharger complètement la batterie jusqu'à l'arrêt du moteur de l'appareil.
- ◆ Appuyez sur le bouton de dégagement (3) et retirez le collecteur de poussière (2).
- ◆ Retirez les filtres (10 et 11) en les tournant dans le sens des aiguilles d'une montre (figure I).
- ◆ Retirez les sept vis qui fixent l'ensemble des parties de l'appareil.
- ◆ Tirez la moitié du couvercle.
- ◆ séparez le petit couvercle du bouton de nettoyage de filtre et retirez la vis de fixation.
- ◆ sortez complètement l'ensemble moteur/ventilateur/batterie.
- ◆ Débranchez la batterie de l'ensemble principal.
- ◆ Placez la batterie dans un emballage approprié pour éviter un court-circuit des bornes.
- ◆ Déposez la batterie chez votre réparateur ou dans un centre de recyclage local.

Une fois retirée, la batterie ne peut être remplacée.

Manuel d'instruction

Ce manuel d'instruction est imprimé sur du matériau recyclé à 100 % qu'il est possible de recycler à nouveau une fois que vous n'avez plus besoin du manuel.

Caractéristiques techniques

DV1205EN H3	
Tension	Vcc 12.0
Batterie	type NiMH
Poids	kg 1.5

Chargeur	CHA01005*
Modèle	DV1205EN
Tension d'entrée	Vca 100-240
Tension de sortie	Vcc 8-23
Courant de sortie	mA 400
Durée approximative de charge	h 5
Poids	kg 0,3

Niveau de pression sonore selon la norme
EN 60704-1 : <70 dB(A)

Garantie

Black & Decker vous assure la qualité de ses produits et vous offre une garantie très étendue. Ce certificat de garantie est un document supplémentaire et ne peut en aucun cas se substituer à vos droits légaux. La garantie est valable sur tout le territoire des États Membres de l'Union Européenne et de la Zone de Libre Échange Européenne.

Si un produit Black & Decker s'avère défectueux en raison de matériaux en mauvais état, d'une erreur humaine, ou d'un manque de conformité dans les 24 mois suivant la date d'achat, Black & Decker garantit le remplacement des pièces défectueuses, la réparation des produits usés ou cassés ou remplace ces produits à la convenance du client, sauf dans les circonstances suivantes :

- ◆ Le produit a été utilisé dans un but commercial, professionnel, ou a été loué.
- ◆ Le produit a été mal utilisé ou avec négligence.
- ◆ Le produit a subi des dommages à cause de corps étrangers, de substances ou d'accidents.
- ◆ Des réparations ont été tentées par des techniciens ne faisant pas partie du service technique de Black & Decker.

Pour avoir recours à la garantie, il est nécessaire de fournir une preuve d'achat au vendeur ou à un réparateur agréé. Pour connaître l'adresse du réparateur agréé le plus proche de chez vous, contactez le bureau Black & Decker à l'adresse indiquée dans ce manuel. Vous pourrez aussi trouver une liste de réparateurs agréés de Black & Decker et de plus amples détails sur notre service après-vente sur le site Internet à l'adresse suivante :

www.2helpU.com

Visitez notre site Web

www.blackanddecker.fr pour enregistrer votre nouveau produit Black & Decker et être informé des nouveaux produits et des offres spéciales. Pour plus d'informations concernant la marque Black & Decker et notre gamme de produits, consultez notre site **www.blackanddecker.fr**.

Uso previsto

L'aspirapolvere portatile Black & Decker Dustbuster® è stato progettato per la pulizia leggera e a secco esclusivamente per uso domestico.

Informazioni su progetto e brevetto

Numeri di registrazione del modello nella Comunità europea:

- u 607643-0001
- u 607668-0001
- u 607650-0001

Istruzioni di sicurezza

Attenzione! Quando si usano elettrodomestici alimentati a batteria, osservare sempre le normali precauzioni di sicurezza per ridurre il rischio di incendio, di perdita di liquido dalle batterie, di lesioni personali e di danni materiali.

- u Leggere attentamente il presente manuale prima di usare l'elettrodomestico.
- u L'uso previsto è descritto nel presente manuale. Se questo elettrodomestico viene usato con accessori o per usi diversi da quelli raccomandati nel presente manuale d'uso, si potrebbero verificare lesioni personali.
- u Conservare il presente manuale per futura consultazione.

Utilizzo dell'elettrodomestico

- u Non usare l'elettrodomestico per aspirare liquidi o materiali che potrebbero incendiarsi.
- u Non usare l'elettrodomestico vicino all'acqua.
- u Non immergere l'elettrodomestico in acqua.
- u Non tirare mai il filo per scollegare l'alimentatore dalla presa. Tenere il filo dell'alimentatore lontano da calore, olio e bordi taglienti.
- u L'elettrodomestico non deve essere utilizzato da ragazzi o persone inabili senza la supervisione di un adulto. Sorvegliare i bambini per evitare che giochino con l'elettrodomestico.

Dopo l'impiego

- u Scollegare l'alimentatore dalla spina prima di pulire l'alimentatore o la base di carica.
- u Quando non è usato, l'elettrodomestico deve essere conservato in un luogo asciutto.
- u Gli elettrodomestici non devono essere riposti alla portata dei bambini.

Ispezione e riparazioni

- u Prima dell'impiego, controllare che l'elettrodomestico non sia danneggiato e non presenti parti difettose. Controllare che non vi siano parti rotte, che gli interruttori non siano danneggiati e che non vi siano altre condizioni che potrebbero avere ripercussioni sulle prestazioni.
- u Non usare l'elettrodomestico se alcune parti sono danneggiate o difettose.
- u Far riparare o sostituire le parti danneggiate o difettose da un tecnico autorizzato.
- u Controllare a intervalli regolari che il filo dell'alimentatore non sia danneggiato. Sostituire l'alimentatore se il filo è danneggiato o difettoso.
- u Non tentare di smontare o sostituire qualsiasi parte ad eccezione di quelle specificate nel presente manuale.

Istruzioni di sicurezza aggiuntive per batterie e alimentatori

Batterie

- u Non tentare di aprirle per qualsiasi ragione.
- u Non lasciare che la batteria si bagni.
- u Non esporre la batteria al calore.
- u Non riporre in luoghi dove la temperatura potrebbe superare i 40°C.
- u Caricare solo a temperature ambiente tra 10°C e 40°C.
- u Caricare solo usando l'alimentatore fornito con l'apparecchio/elettrodomestico. L'utilizzo

dell'alimentatore sbagliato potrebbe causare scosse elettriche o il surriscaldamento della batteria.

- u Quando si smaltiscono le batterie, seguire le istruzioni riportate al capitolo "Protezione dell'ambiente".
- u Non danneggiare/deformare il battery pack forandolo o colpendolo per evitare il rischio di lesioni o di incendio.
- u Non caricare le batterie danneggiate.
- u In condizioni estreme, si potrebbe verificare la perdita di liquido dalle batterie. Se si nota la presenza di liquido sulle batterie, pulirle con attenzione con uno straccio. Evitare il contatto con l'epidermide.
- u In caso di contatto con l'epidermide o gli occhi, seguire le istruzioni riportate di seguito.

Attenzione! Il liquido della batteria può causare lesioni alle persone o danni alle cose. In caso di contatto con la pelle, risciacquare immediatamente con acqua. In caso di rossore, dolore o irritazione, rivolgersi immediatamente a un medico. In caso di contatto con gli occhi, risciacquarli immediatamente con acqua pulita e consultare un medico.

Alimentatori

L'alimentatore è stato progettato per una tensione specifica. Controllare sempre che la tensione di rete corrisponda alla tensione indicata sulla targhetta dei dati tecnici.

Attenzione! Non tentare mai di sostituire l'alimentatore con una normale spina elettrica.

- u Usare l'alimentatore Black & Decker solo per caricare la batteria nell'apparecchio/elettrodomestico con il quale è stato fornito. Altre batterie potrebbero scoppiare causando lesioni alle persone e danni.
- u Non tentare mai di caricare batterie non ricaricabili.
- u In caso di danneggiamento del filo di alimentazione, è necessario farlo riparare dal fabbricante o presso

un centro assistenza Black & Decker autorizzato in modo da evitare eventuali pericoli.

- u Non lasciare che l'alimentatore si bagni.
- u Non aprire l'alimentatore.
- u Non collegare l'alimentatore a sonde.
- u L'apparecchio/elettrodomestico/batteria devono essere lasciati in una zona ben ventilata durante la carica.

Sicurezza altrui

- u Questo elettrodomestico non è stato progettato per impiego da parte di persone (o bambini) portatrici di handicap fisici, psichici o sensoriali o che non abbiano la dovuta esperienza o conoscenza, a meno che non siano seguite o opportunamente istruite sul suo utilizzo da parte di una persona responsabile della loro sicurezza.
- u Controllare che i bambini non giochino con l'elettrodomestico.

Sicurezza elettrica

L'alimentatore è stato progettato per una tensione specifica. Controllare sempre che la tensione di rete corrisponda alla tensione indicata sulla targhetta dati. Non tentare mai di sostituire l'alimentatore con una normale spina di rete.

Simboli sull'alimentatore



Il doppio isolamento di cui è provvisto l'alimentatore rende superfluo il filo di terra.



Leggere attentamente questo manuale d'uso nella sua totalità.



Trasformatore di isolamento con protezione incorporata. L'alimentazione di rete è separata elettricamente dall'erogazione del trasformatore.



La base di carica può solo essere usata all'interno.

Caratteristiche

1. Prolunga della bocchetta raccogli-polvere
2. Bocchetta raccogli-polvere
3. Pulsante di rilascio
4. Interruttore di accensione
5. Indicatore di carica
6. Pulsante di pulitura filtro
7. Base di carica

Fig. A

8. Bocchetta a lancia
9. Spazzola a pennello

Montaggio**Montaggio a parete della base di carica**

La base di carica può essere sistemata su un piano di lavoro o fissata a parete per avere un posto comodo dove riporre l'elettrodomestico e dove caricarlo.

Quando si fissa la base sulla parete, accertarsi che il metodo usato sia idoneo al tipo di parete e al peso dell'elettrodomestico.

Assemblaggio**Montaggio degli accessori (figg. A e B)**

Questo modello è fornito con i seguenti accessori:

- u Una bocchetta a lancia (8) per spazi limitati.
- u Una spazzola (9) per mobili e scale.

Gli accessori si montano come descritto di seguito:

- u Prendere gli accessori dall'apposita sede sull'elettrodomestico o sulla base di carica (7) (figg. L e M).
- u Inserire l'accessorio desiderato nella parte frontale dell'elettrodomestico.

Rischi residui

Altri rischi residui che possono sorgere durante l'impiego dell'elettrodomestico e che possono non essere stati contemplati dagli allegati avvisi di sicurezza. Tali rischi possono sorgere a seguito di un uso prolungato o improprio, ecc.

Perfino adottando gli appositi regolamenti di sicurezza e utilizzando i dispositivi di

sicurezza, certi rischi residui non possono essere evitati. Essi comprendono:

- u Lesioni causate o subite a seguito del contatto con parti rotanti/in movimento.
- u Lesioni causate o subite durante la sostituzione di parti, lame o accessori.
- u Lesioni causate dall'impiego prolungato di un elettrodomestico. Quando si usa qualsiasi elettrodomestico per lunghi periodi, accertarsi di fare regolarmente delle pause.
- u Problemi di udito.
- u Rischi per la salute causati dall'aspirazione di polvere generata dall'utilizzo dell'elettrodomestico (ad esempio quando si lavora con il legno, in modo particolare quello di quercia, faggio o l'MDF).

Utilizzo

- u Caricare completamente la batteria prima del primo impiego.
- u Appoggiare sempre l'elettrodomestico sulla base di carica quando non è utilizzato.

Carica della batteria (fig. C)

Prima della carica della batteria:

- u Accertarsi che la prolunga della bocchetta raccogli-polvere (1) sia inserita nella bocchetta stessa (2).
- u Accertarsi che l'elettrodomestico sia spento. La batteria non si carica se l'interruttore di accensione (4) è regolato su acceso.
- u Appoggiare l'elettrodomestico sulla base di carica (7) come illustrato.
- u Collegare l'alimentatore alla presa di corrente. Accendere l'alimentazione di rete.

Durante la carica, l'alimentatore potrebbe riscaldarsi. Si tratta di un fatto normale che non indica che vi è un problema. L'elettrodomestico può essere lasciato collegato indefinitamente all'alimentatore,

L'alimentatore di questo elettrodomestico è stato progettato per risparmiare energia, ma anche per fornire una carica più veloce. Quando l'elettrodomestico si trova nella modalità di carica rapida, l'indicatore di carica (5) resta acceso per quasi di continuo, con dei brevi periodi di spegnimento. L'alimentatore cambia modalità quando rileva che è stata raggiunta la carica massima e l'indicatore rimane spento per la maggior parte del tempo, con dei brevi periodi di accensione per indicare che l'alimentatore sta mantenendo la carica della batteria in modo che il prodotto sia pronto per l'impiego. Per caricare una batteria completamente scarica ci vogliono circa 5 ore di carica.

Regolazione della bocchetta raccogli polvere (fig. D)

- Allungare la bocchetta raccogli polvere (2) estraendone la prolunga (1) fino a quando si aggancia in sede.
- Far rientrare la prolunga della bocchetta raccogli polvere (1) premendo la zona (12) contrassegnata dalla freccia e facendo rientrare la prolunga (1) nella bocchetta raccogli polvere (2).

Accensione e spegnimento (fig. E)

- Per accendere l'elettrodomestico, far scorrere in avanti l'interruttore di accensione (4).
- Per spegnere l'elettrodomestico, far scorrere indietro l'interruttore di accensione (4).

Massima forza aspirante (fig. F)

Per poter mantenere la massima forza aspirante, pulire regolarmente i filtri durante l'impiego.

- Far scorrere varie volte su e giù il pulsante di pulizia del filtro (6) per far uscire la polvere che intasa i filtri (10 e 11).

Pulizia e manutenzione

Attenzione! Pulire regolarmente i filtri (10 e 11).

Pulitura della bocchetta raccogli polvere e dei filtri (figg. G - J)

I filtri sono riutilizzabili e devono essere puliti regolarmente.

- Premere il pulsante di rilascio (3) ed estrarre la bocchetta raccogli polvere (2).
- Svuotare la bocchetta raccogli polvere (2) (fig. H).
- Estrarre i filtri (10 e 11) ruotandoli in senso orario (fig. I).
- Dividere i filtri (10 e 11)
- Spazzolare via l'eventuale polvere presente sui filtri (10 e 11).
- Lavare i filtri in acqua calda e detergente adatto (fig. J). Se necessario, è anche possibile lavare la bocchetta raccogli polvere (2).

Attenzione! Non immergere l'elettrodomestico in acqua.

- Accertarsi che la bocchetta raccogli polvere (2) e i filtri (10 e 11) siano asciutti.
- Rimettere i filtri (10 e 11) sull'elettrodomestico, ruotandoli in senso antiorario fino a quando si insediano.
- Rimontare la bocchetta raccogli polvere (2) sull'elettrodomestico. Accertarsi che la bocchetta raccogli polvere si agganci in sede.

Attenzione! Non usare mai l'elettrodomestico senza i filtri. La raccolta ottimale della polvere si ottiene solo con i filtri puliti.

Sostituzione dei filtri

I filtri devono essere sostituiti ogni 6 - 9 mesi e quando sono usurati o danneggiati. I filtri di ricambio (9) sono reperibili presso il rivenditore Black & Decker (n. cat. VF70).

- Estrarre i vecchi filtri come descritto in precedenza.
- Inserire i nuovi filtri come descritto qui sopra.

Conservazione degli accessori (figg. K e L)

- u Premere gli accessori nei rispettivi supporti fino a quando si agganciano in sede.

Protezione dell'ambiente



Raccolta differenziata. Questo prodotto non deve essere smaltito con i normali rifiuti domestici.

Nel caso in cui l'elettrodomestico debba essere sostituito o comunque non serve più, pensare alla tutela dell'ambiente. È infatti possibile restituirlo ai tecnici Black & Decker che provvederanno a smaltirlo in modo sicuro per l'ambiente.



La raccolta differenziata dei prodotti e degli imballaggi utilizzati consente il riciclaggio dei materiali e il loro continuo utilizzo. Il riutilizzo dei materiali riciclati favorisce la protezione dell'ambiente prevenendo l'inquinamento e riduce il fabbisogno di materie prime.

Seguire la regolamentazione locale per la raccolta differenziata dei prodotti elettrici che può prevedere punti di raccolta o la consegna dell'elettrodomestico al rivenditore presso il quale viene acquistato un nuovo prodotto.

Black & Decker offre ai suoi clienti la possibilità di riciclare i prodotti Black & Decker che hanno esaurito la loro vita di servizio. Per usufruire di tale servizio, è sufficiente restituire il prodotto a qualsiasi tecnico autorizzato, incaricato della raccolta per conto dell'azienda.

Per individuare il tecnico autorizzato più vicino, rivolgersi alla sede Black & Decker locale, presso il recapito indicato nel presente manuale. In alternativa, un elenco completo di tutti i tecnici autorizzati Black & Decker e i dettagli completi sui contatti e i servizi post-

vendita sono disponibili su Internet presso: www.2helpU.com.

Batteria (fig. L)



Se si desidera smaltire il prodotto personalmente, estrarre la batteria come descritto di seguito e smaltirla in base ai regolamenti in vigore.

- u Prima di eseguire una carica, è preferibile lasciare che la batteria si scarichi del tutto facendo funzionare l'elettrodomestico fino a quando il motore si ferma.
- u Premere il pulsante di rilascio (3) ed estrarre la bocchetta raccogli-polvere (2).
- u Estrarre i filtri (10 e 11) ruotandoli in senso orario (fig. I).
- u Svitare le sette viti che tengono unito il corpo dell'elettrodomestico.
- u Staccare a metà il coperchio dal vano.
- u scalzare il coperchietto dal cursore di pulitura del filtro e svitare la vite di fissaggio del cursore.
- u Estrarre quindi l'intero gruppo motore/ventilatore/batteria.
- u Scollegare la batteria dal gruppo principale.
- u Imballare la batteria in modo idoneo per evitare che i terminali possano essere cortocircuitati.
- u Portare la batteria da un rivenditore autorizzato o presso un centro di riciclaggio di zona.

Una volta tolta, la batteria non può essere rimontata.

Manuale d'uso

Il presente manuale d'uso è stato stampato su materiali completamente riciclati e può anch'esso essere riciclato quando non serve più.

Dati tecnici

DV1205EN H3	
Tensione	V c.c. 12,0
Batteria	tipo NiMH
Peso	kg 1,5

Alimentatore CHA01005*	
Modello DV1205EN	
Tensione in ingresso	V c.a. 100-240
Tensione erogata	V c.c. 8-23
Corrente erogata	mA 400
Tempo di carica approssimativo	h 5
Peso	kg 0,3

Livello di pressione sonora misurato in base a EN60704-1: <70 dB(A)

Garanzia

Certa della qualità dei suoi prodotti, Black & Decker offre una garanzia eccezionale. Il presente certificato di garanzia è complementare ai diritti legali e non li pregiudica in alcun modo. La garanzia è valida entro il territorio degli Stati membri dell'Unione Europea e dell'EFTA (European Free Trade Area).

Se un prodotto Black & Decker risulta difettoso per qualità del materiale, della costruzione o per mancata conformità entro 24 mesi dalla data di acquisto, Black & Decker garantisce la sostituzione delle parti difettose, provvede alla riparazione dei prodotti se ragionevolmente usurati oppure alla loro sostituzione, in modo da ridurre al minimo il disagio del cliente a meno che:

- u Il prodotto non sia stato destinato ad usi commerciali, professionali o al noleggio;
- u Il prodotto non sia stato usato in modo improprio o scorretto;
- u Il prodotto non abbia subito danni causati da oggetti o sostanze estranee oppure incidenti;
- u Il prodotto non abbia subito tentativi di riparazione non effettuati da tecnici autorizzati né dall'assistenza Black & Decker.

Per attivare la garanzia è necessario esibire la prova comprovante l'acquisto al venditore o al tecnico autorizzato. Per individuare il tecnico autorizzato più vicino, rivolgersi alla sede Black & Decker locale, presso il recapito indicato nel presente manuale. Altrimenti un elenco completo di tutti i tecnici autorizzati Black & Decker e i dettagli completi sui contatti e i servizi post-vendita sono disponibili su Internet presso:

www.2helpU.com

I clienti che desiderano registrare il nuovo prodotto Black & Decker e ricevere gli aggiornamenti sui nuovi prodotti e le offerte speciali, sono invitati a visitare il sito Web (**www.blackanddecker.it**). Ulteriori informazioni sul marchio e la gamma di prodotti Black & Decker sono disponibili all'indirizzo **www.blackanddecker.it**.

Beoogd gebruik

Deze Black & Decker Dustbuster® is ontworpen als handstofzuiger voor lichte, droge stofzuigwerkzaamheden. Het apparaat is uitsluitend bestemd voor huishoudelijk gebruik.

Ontwerp- en octrooigegevens

Europese ontwerpregistratienummers:

- ◆ 607643-0001
- ◆ 607668-0001
- ◆ 607650-0001

Veiligheidsinstructies

Waarschuwing! Bij apparaten voor gebruik op accu's moeten bepaalde elementaire voorzorgsmaatregelen, waaronder de navolgende, altijd in acht worden genomen om het gevaar voor brand, lekkende accu's, persoonlijk letsel en materiële schade tot een minimum te beperken.

- ◆ Lees deze handleiding zorgvuldig door voordat u het apparaat in gebruik neemt.
- ◆ In deze handleiding wordt ingegaan op het beoogde gebruik. Het gebruik van andere accessoires of hulpstukken dan wel de uitvoering van andere handelingen dan in deze gebruikershandleiding worden aanbevolen, kan tot persoonlijk letsel leiden.
- ◆ Bewaar deze handleiding zorgvuldig zodat u deze altijd nog eens kunt raadplegen.

Gebruik van het apparaat

- ◆ Gebruik het apparaat nooit voor het opzuigen van vloeistoffen of materialen die vlam kunnen vatten.
- ◆ Gebruik het apparaat niet in de buurt van water.
- ◆ Dompel het apparaat niet onder in water.
- ◆ Trek de oplader nooit aan het snoer uit het stopcontact. Houd de oplader uit de buurt van warmtebronnen, olie en scherpe randen.

- ◆ Dit apparaat mag niet zonder supervisie worden gebruikt door jonge of lichamelijk zwakke mensen. Houd toezicht op kinderen om ervoor te zorgen dat zij niet met het apparaat gaan spelen.

Na gebruik

- ◆ Neem de lader uit het stopcontact voordat u de lader of laadhouder schoonmaakt.
- ◆ Bewaar het apparaat na gebruik op een droge plaats.
- ◆ Zorg dat het bewaarde apparaat niet toegankelijk is voor kinderen.

Inspectie en reparaties

- ◆ Controleer het apparaat vóór gebruik op beschadigingen en defecten. Controleer het vooral op gebroken onderdelen, schade aan de schakelaars en andere omstandigheden die de werking ervan kunnen beïnvloeden.
- ◆ Gebruik het apparaat niet in geval van een of meer beschadigde of defecte onderdelen.
- ◆ Laat beschadigde of defecte onderdelen door een van onze servicecentra repareren of vervangen.
- ◆ Controleer het snoer van de lader regelmatig op beschadigingen. Vervang de lader als het snoer beschadigd of defect is.
- ◆ Probeer nooit andere onderdelen te verwijderen of vervangen dan in deze handleiding zijn vermeld.

Aanvullende veiligheidsinstructies – accu's en laders

Accu's

- ◆ Probeer accu's niet te openen, om welke reden ook.
- ◆ Stel de accu niet bloot aan water.
- ◆ Stel de accu niet bloot aan hitte.
- ◆ Bewaar de accu niet op locaties met temperaturen die hoger zijn dan 40°C.
- ◆ Laad de accu alleen op bij een omgevingstemperatuur tussen 10 en 40°C.

- ◆ Gebruik alleen de lader die bij het gereedschap/apparaat is geleverd. Het gebruik van de verkeerde lader kan resulteren in een elektrische schok of oververhitting van de accu.
- ◆ Gooi lege accu's weg volgens de instructies in het gedeelte "Milieu".
- ◆ De accubehuizing mag niet worden beschadigd of vervormd door er gaten in te laten komen of ertegen aan te stoten, aangezien dit kan leiden tot letsel of brand.
- ◆ Laad beschadigde accu's niet op.
- ◆ Onder extreme omstandigheden kunnen accu's lekkages vertonen. Wanneer de accu nat of vochtig is, veegt u de vloeistof voorzichtig af met een doek. Vermijd huidcontact.
- ◆ Bij huid- of oogcontact volgt u de onderstaande instructies.

Waarschuwing! De accuvloeistof kan letsel of materiële schade veroorzaken. Bij huidcontact moet u de vloeistof direct afspoelen met water. Raadpleeg uw huisarts als er rode vlekken ontstaan of bij een pijnlijke of geïrriteerde huid. Bij oogcontact moet u de vloeistof direct afspoelen met water en uw huisarts raadplegen.

Laders

De lader is ontworpen voor een specifieke spanning. Controleer altijd of de netspanning overeenkomt met de waarde op het typeplaatje.

Waarschuwing! Probeer de lader nooit te vervangen door een normale netstekker.

- ◆ Gebruik de lader van Black & Decker alleen voor de accu in het gereedschap/apparaat waarbij de lader is bijgeleverd. Andere accu's kunnen exploderen met letsel en materiële schade als gevolg.
- ◆ Niet-laadbare accu's mogen nooit worden opgeladen.
- ◆ Als het netsnoer is beschadigd, moet dit worden vervangen door de fabrikant of een Black & Decker-servicecentrum om gevaren te voorkomen.

- ◆ Stel de lader niet bloot aan water.
- ◆ Open de lader niet.
- ◆ Prik nooit met een scherp voorwerp in de lader.
- ◆ Laad het apparaat/het gereedschap/ de accu in een goed geventileerde locatie op.

Veiligheid van anderen

- ◆ Dit apparaat mag niet worden gebruikt door personen (waaronder kinderen) die lichamelijk of geestelijk minder valide zijn of die geen ervaring met of kennis van dit apparaat hebben, tenzij deze onder toezicht staan of instructies krijgen voor het gebruik van het apparaat van een persoon die verantwoordelijk is voor hun veiligheid.
- ◆ Houd toezicht op kinderen om ervoor te zorgen dat zij niet met het apparaat gaan spelen.

Elektrische veiligheid

De lader is ontworpen voor een specifieke spanning. Controleer altijd of de netspanning overeenkomt met de waarde op het typeplaatje. Probeer nooit om de oplaadeenheid door een normale netstekker te vervangen.

Symbolen op de lader



De lader is dubbel geïsoleerd, zodat een aardaansluiting niet noodzakelijk is.



Lees de gehele gebruiksaanwijzing zorgvuldig door.



Storingsvrije scheidingstransformator. De netspanning is elektrisch van de transformatoruitgang gescheiden.



De laadhouder is uitsluitend bestemd voor binnengebruik.

Onderdelen

1. Zuigbuisverlenging
2. Zuigbuis
3. Ontgrendelknop
4. Aan/uit-schakelaar
5. Oplaatindicator
6. Filterreinigingsknop
7. Laadhouder

Fig. A

8. Spleetzuiger
9. Borstelhelpstuk

Installatie

Laadhouder aan de wand monteren

De laadhouder kan op een werkvlak worden geplaatst of aan de wand worden gemonteerd, om het apparaat gemakkelijk te kunnen opbergen en opladen.

Selecteer bij wandmontage een bevestigingsmethode die geschikt is voor het betreffende wandtype en het gewicht van het apparaat.

Montage

Hulpstukken plaatsen (fig. A & B)

Met dit model worden de volgende hulpstukken meegeleverd:

- ◆ Een spleetzuiger (8) voor smalle kieren.
- ◆ Een borstelhelpstuk (9) voor meubilair en trappen.

Een hulpstuk aanbrengen:

- ◆ Neem de hulpstukken uit de opberglocatie van het apparaat of de laadhouder (7) (fig. L & M).
- ◆ Plaats het gewenste hulpstuk in de voorzijde van het apparaat.

Overige risico's

Er kunnen zich tijdens het gebruik van het gereedschap ook andere risico's voordoen die misschien niet in de bijgevoegde veiligheidswaarschuwingen worden vermeld. Deze risico's kunnen zich voordoen als gevolg van onoordeelkundig gebruik, langdurig gebruik, enz.

Zelfs als de veiligheidsvoorschriften in acht worden genomen en de veiligheidsvoorzieningen worden geïmplementeerd, kunnen bepaalde risico's niet worden vermeden. Deze omvatten:

- ◆ Verwondingen die worden veroorzaakt door het aanraken van draaiende of bewegende onderdelen.
- ◆ Verwondingen die worden veroorzaakt bij het vervangen van onderdelen, bladen of accessoires.
- ◆ Verwondingen die worden veroorzaakt door langdurig gebruik van het gereedschap. Als u langere periodes met het gereedschap werkt, is het raadzaam om regelmatig een pauze in te lassen.
- ◆ Gehoorbeschadiging.
- ◆ Gezondheidsrisico's als gevolg van het inademen van stof dat door gebruik van het gereedschap wordt veroorzaakt (bijvoorbeeld tijdens het werken met hout, vooral eiken, beuken en MDF).

Gebruik

- ◆ De accu moet volledig opgeladen zijn voordat het apparaat voor het eerst wordt gebruikt.
- ◆ Plaats het apparaat op de laadhouder als dit niet wordt gebruikt.

De accu opladen (fig. C)

Voer de volgende handelingen uit voordat u de batterij oplaadt:

- ◆ Schuif de zuigbuisverlenging (1) helemaal terug in de zuigbuis (2).
- ◆ Zorg ervoor dat het apparaat is uitgeschakeld. De batterij wordt niet opgeladen als de aan/uit-schakelaar (4) in de aan-stand staat.
- ◆ Plaats het apparaat zoals weergegeven op de laadhouder (7).
- ◆ Plaats de lader in het stopcontact. Schakel zonodig de netspanning in.

Tijdens het opladen kan de lader warm worden. Dit is normaal en wijst niet op een probleem. Het apparaat kan voor

onbepaalde tijd met de lader verbonden blijven.

De lader van dit apparaat is energiezuinig en laadt apparatuur tevens sneller op. Wanneer het apparaat op de stand voor snel laden staat, brandt de laadindicator (5) grotendeels met korte tussenpauzes. Zodra de lader bespeurt dat het product volledig is geladen, wordt de stand van de lader gewijzigd, en is de indicator grotendeels uitgeschakeld en brandt met korte signalen om aan te tonen dat de lader de acculading behoudt en het product gereed houdt voor gebruik. De laadtijd voor het volledig opladen van een geheel ontladen accu bedraagt ongeveer 5 uur.

Zuigbuis verstellen (fig. D)

- ◆ U kunt de zuigbuis (2) langer maken door de zuigbuisverlenging (1) uit te trekken totdat deze vastklikt.
- ◆ U kunt de verlenging (1) inschuiven door op de pijl (12) te drukken en de verlenging (1) terug te schuiven in de zuigbuis.

In- en uitschakelen (fig. E)

- ◆ Schuif de aan/uit-schakelaar (4) naar voren in om het apparaat in te schakelen.
- ◆ Schuif de aan/uit-schakelaar (4) naar achteren om het apparaat uit te schakelen.

Zuigkracht optimaal houden (fig. F)

Voor een optimale zuigkracht moeten de filters tijdens het gebruik regelmatig worden gereinigd.

- ◆ Schuif de filterreinigingsknop (6) een aantal keer naar boven en naar beneden om het stof waarmee de filters (10 & 11) verstopt zitten, los te kloppen.

Reiniging en onderhoud

Waarschuwing! Reinig de filters regelmatig (10 & 11).

Zuigbuis en filters reinigen (fig. G - J)

De filters zijn herbruikbaar en moeten regelmatig worden gereinigd.

- ◆ Druk op de ontgrendelingsknop (3) en verwijder de zuigbuis (2).
- ◆ Maak de zuigbuis leeg (2) (fig. H).
- ◆ Draai de filters (10 & 11) rechtsom om ze te verwijderen (fig. J).
- ◆ Haal de filters uit elkaar (10 & 11).
- ◆ Borstel al het losse stof van de filters (10 & 11).
- ◆ Was de filters in een warm sopje uit (fig. J). Indien nodig kan de zuigbuis (2) ook worden gewassen.

Waarschuwing! Dompel het apparaat niet onder in water.

- ◆ Zorg ervoor dat de zuigbuis (2) en de filters (10 & 11) volledig droog zijn.
- ◆ Plaats de filters (10 & 11) op het apparaat en draai de filters linksom om ze te vergrendelen.
- ◆ Bevestig de zuigbuis (2) weer aan het apparaat. Zorg ervoor dat de buis vastklikt.

Waarschuwing! Gebruik het apparaat nooit zonder de filters. Het apparaat werkt alleen optimaal bij schone filters.

Filters vervangen

De filters moeten om de 6 à 9 maanden of bij tussentijdse verslijting of beschadiging worden vervangen. Vervangende filters (9) zijn verkrijgbaar via uw Black & Decker-leverancier (cat. nr. VF70):

- ◆ Verwijder de oude filters op de hiervoor beschreven wijze.
- ◆ Plaats de nieuwe filters op de hiervoor beschreven wijze.

Hulpstukken opbergen (fig. K & L)

- ◆ Druk de hulpstukken in de toepasselijke houders tot deze vastklikken.

Milieu



Gescheiden inzameling. Dit product mag niet met normaal huishoudelijk afval worden weggegooid.

Mocht u op een dag constateren dat het apparaat aan vervanging toe is of dat u het apparaat niet meer nodig hebt, houd

dan rekening met het milieu. Black & Decker-servicecentra zijn bereid oude Black & Decker-apparaten in te nemen en ervoor te zorgen dat deze op milieuvriendelijke wijze worden afgevoerd.



Gescheiden inzameling van gebruikte producten en verpakkingsmaterialen maakt het mogelijk materialen te recyclen en opnieuw te gebruiken. Hergebruik van gerecycleerde materialen zorgt voor minder milieuvervuiling en dringt de vraag naar grondstoffen terug.

Plaatselijke verordeningen kunnen voorzien in gescheiden inzameling van huishoudelijke elektrische producten via gemeentelijke stortplaatsen of via de leverancier bij wie u een nieuw product aanschaft.

Black & Decker biedt de mogelijkheid tot het recyclen van afgedankte Black & Decker-producten. Om gebruik te maken van deze service, dient u het product naar een van onze servicecentra te sturen, die de inzameling voor ons verzorgen.

U kunt het adres van het dichtstbijzijnde servicecentrum opvragen via de adressen op de achterzijde van deze handleiding. U kunt ook een lijst van onze servicecentra en meer informatie over onze klantenservice vinden op het volgende internetadres:

www.2helpU.com.

Batterij (fig. L)



Als u het product zelf wilt afvoeren, moet u de accu op de hierna beschreven wijze verwijderen en conform de geldende voorschriften afvoeren.

- ◆ Ontlaad de batterij door het apparaat te laten werken tot de motor stopt.
- ◆ Druk op de ontgrendelingsknop (3) en verwijder de zuigbuis (2).

- ◆ Draai de filters (10 & 11) rechtersom om ze te verwijderen (fig. J).
- ◆ Verwijder de zeven schroeven waarmee de behuizing van het apparaat vastzit.
- ◆ Trek het deksel voorzichtig half los.
- ◆ Wrik het kleine deksel voorzichtig los van de filterreinigingsschuif en verwijder de bevestigingsschroef van de schuif.
- ◆ Til de motor/ventilator/batterij-eenheid in zijn geheel uit het apparaat.
- ◆ Haal de batterij los van de hoofdeenheid.
- ◆ Plaats de accu in een geschikte verpakking om ervoor te zorgen dat er geen kortsluiting tussen de polen kan ontstaan.
- ◆ Breng de batterij naar het servicecentrum of een inzamellocatie in uw woonplaats.

Plaats een verwijderde batterij niet meer terug in het apparaat.

Instructiehandleiding

Deze instructiehandleiding bestaat uit 100% gerecycleerd materiaal en kan worden hergebruikt wanneer u hem niet meer nodig heeft.

Technische gegevens

DV1205EN H3	
Spanning	Vdc 12.0
Accu	Type NiMH
Gewicht	kg 1.5

Lader	CHA01005*
Model	DV1205EN
Ingangsspanning	Vac 100-240
Uitgangsspanning	Vdc 8-23
Uitgangsstroom	mA 400
Oplaadtijd ca.	h 5
Gewicht	kg 0,3

Geluidsdrukniveau, volgens
EN 60704-1: <70 dB(A)

Garantie

Black & Decker heeft vertrouwen in haar producten en biedt een uitstekende garantie. Deze garantiebepalingen vormen een aanvulling op uw wettelijke rechten en beperken deze niet. De garantie geldt in de lidstaten van de Europese Unie en de Europese Vrijhandelsassociatie.

Mocht uw Black & Decker product binnen 24 maanden na de datum van aankoop defect raken ten gevolge van materiaal- of constructiefouten, dan garanderen wij de kosteloze vervanging van defecte onderdelen, de reparatie van het product of de vervanging van het product, tenzij:

- ◆ Het product is gebruikt voor handelsdoeleinden, professionele toepassingen of verhuurdoeleinden;
- ◆ Het product onoordeelkundig is gebruikt;
- ◆ Het product is beschadigd door invloeden van buitenaf of door een ongeval;
- ◆ Reparaties zijn uitgevoerd door anderen dan onze servicecentra of Black & Decker-personeel.

Om een beroep te doen op de garantie, dient u een aankoopbewijs te overhandigen aan de verkoper of een van onze servicecentra. U kunt het adres van het dichtstbijzijnde servicecentrum opvragen via de adressen op de achterzijde van deze handleiding. U kunt ook een lijst van onze servicecentra en meer informatie m.b.t. onze klantenservice vinden op het volgende internetadres:

www.2helpU.com

Meld u aan op onze website **www.blackanddecker.nl** om te worden geïnformeerd over nieuwe producten en speciale aanbiedingen. Verdere informatie over het merk Black & Decker en onze producten vindt u op **www.blackanddecker.nl**.

Uso previsto

La aspiradora de mano Dustbuster® de Black & Decker se ha diseñado para proporcionar una limpieza suave mediante aspiración en seco. Este aparato está pensado únicamente para uso doméstico.

Información sobre el diseño y la patente

Números de registro del diseño en la CE:

- ◆ 607643-0001
- ◆ 607668-0001
- ◆ 607650-0001

Instrucciones de seguridad

¡Atención! Si utiliza aparatos que funcionan con batería, es necesario seguir las precauciones de seguridad básicas, incluidas las que se indican a continuación, para reducir el riesgo de incendios, derrame de líquido de baterías, lesiones y daños materiales.

- ◆ Lea todo el manual detenidamente antes de utilizar el aparato.
- ◆ En este manual se describe el uso para el que se ha diseñado el aparato. La utilización de accesorios o la realización de operaciones distintas de las recomendadas en este manual de instrucciones puede presentar un riesgo de lesiones.
- ◆ Conserve este manual para futuras consultas.

Utilización del aparato

- ◆ No utilice el aparato para recoger ningún líquido ni material inflamable.
- ◆ No utilice el aparato cerca del agua.
- ◆ No introduzca el aparato en agua.
- ◆ No tire del cable para desconectar el cargador de la toma de corriente. Mantenga el cable del cargador alejado de temperaturas elevadas, aceites y bordes afilados.
- ◆ Este aparato no ha sido concebido para ser utilizado por jóvenes ni personas discapacitadas sin supervisión. Debe vigilarse a los niños para asegurarse de que no jueguen con el aparato.

Después de la utilización

- ◆ Desenchufe el cargador antes de limpiar dicho cargador o su respectiva base.
- ◆ Cuando no esté utilizando el aparato, guárdelo en un lugar seco.
- ◆ Los niños no deben tener acceso a los aparatos guardados.

Inspecciones y reparaciones

- ◆ Antes de utilizarlo, compruebe que el aparato no tiene piezas dañadas o defectuosas. Compruebe que no hay piezas rotas, que los interruptores no están dañados y que no existen otros defectos que puedan afectar al funcionamiento del aparato.
- ◆ No utilice el aparato si presenta alguna pieza dañada o defectuosa.
- ◆ Solicite al servicio técnico autorizado la reparación o sustitución de las piezas dañadas o defectuosas.
- ◆ Compruebe con regularidad que el cable del cargador no ha sufrido daños. Sustituya el cargador si el cable está dañado o es defectuoso.
- ◆ Nunca intente extraer o sustituir piezas no especificadas en este manual.

Instrucciones de seguridad adicionales: baterías y cargadores

Baterías

- ◆ No intente abrirlas bajo ningún concepto.
- ◆ No exponga la batería al agua.
- ◆ No exponga la batería al calor.
- ◆ No guarde la batería en lugares en los que la temperatura pueda superar los 40 °C.
- ◆ Realice la carga únicamente a una temperatura ambiente de entre 10°C y 40°C.
- ◆ Utilice únicamente el cargador suministrado con el aparato o la herramienta para realizar la carga. La utilización de un cargador incorrecto podría provocar una descarga eléctrica o el recalentamiento de la batería.

- ◆ Para desechar las pilas o las baterías, siga las instrucciones facilitadas en la sección "Protección del medio ambiente".
- ◆ No dañe ni deforme la batería mediante perforaciones o golpes, ya que puede suponer un riesgo de incendio y de lesiones.
- ◆ No cargue baterías dañadas.
- ◆ Es posible que se produzcan fugas en las baterías en condiciones extremas. Cuando observe que se producen fugas en las baterías, limpie cuidadosamente el líquido con un paño. Evite el contacto con la piel.
- ◆ En caso de que se produzca contacto con la piel o los ojos, siga las instrucciones facilitadas a continuación.

¡Atención! El líquido de las baterías puede provocar lesiones personales o daños materiales. En caso de que se produzca contacto con la piel, lave la zona con agua inmediatamente. Si se produce enrojecimiento, dolor o irritación, solicite atención médica. En caso de contacto con los ojos, lave la zona inmediatamente con agua limpia y solicite atención médica.

Cargadores

El cargador se ha diseñado para un voltaje específico. Cada vez que utilice el aparato, debe comprobar que el voltaje de la red eléctrica corresponde con el valor indicado en la placa de características.

¡Atención! No intente sustituir el cargador por un enchufe convencional para la red eléctrica.

- ◆ Para cargar la batería del aparato o herramienta, utilice únicamente el cargador Black & Decker suministrado. En caso de intentar cargar otras baterías, estas podrían explotar, lo que podría provocar lesiones y daños personales.
- ◆ Nunca intente cargar baterías no recargables.

- ◆ Si se dañara el cable de alimentación, deberá ser sustituido por el fabricante o por un centro de asistencia técnica autorizado de Black & Decker para evitar cualquier situación de riesgo.
- ◆ No exponga el cargador al agua.
- ◆ No abra el cargador.
- ◆ No aplique ningún dispositivo para medir la resistencia del cargador.
- ◆ El aparato, la herramienta o la batería debe colocarse en una zona bien ventilada durante la carga.

La seguridad de terceros

- ◆ Ninguna persona (incluidos los niños) con capacidades físicas, sensoriales o mentales disminuidas, o que carezca de experiencia y conocimientos, debe utilizar este aparato, salvo que haya recibido supervisión o formación con respecto al uso del aparato por parte de una persona responsable de su seguridad.
- ◆ Los niños deben vigilarse en todo momento para garantizar que el aparato no se tome como elemento de juego.

Seguridad eléctrica

El cargador se ha diseñado para un voltaje específico. Cada vez que utilice el aparato, debe comprobar que el voltaje de la red eléctrica corresponde con el valor indicado en la placa de características. No intente sustituir el cargador por un enchufe convencional para la red eléctrica.

Símbolos del cargador



El cargador está provisto de doble aislamiento, por lo que no requiere una toma de tierra.



Lea este manual de instrucciones con atención.



Transformador con aislamiento a prueba de fallos. El circuito eléctrico de la toma de corriente está aislado de la salida del transformador.



La base del cargador está pensada únicamente para utilizarla en espacios interiores.

Características

1. Prolongación del colector de polvo
2. Colector de polvo
3. Botón de liberación
4. Interruptor ON/OFF (encendido/apagado)
5. Indicador de carga
6. Botón de limpieza del filtro
7. Base del cargador

Fig. A

8. Accesorio para hendiduras
9. Cepillo

Instalación

Montaje de la base del cargador en la pared

La base del cargador puede colocarse sobre una superficie o bien en la pared, proporcionando un almacenaje más cómodo y un soporte de carga para el aparato.

Si fija dicha base a la pared, asegúrese de que el método de fijación sea el adecuado para el tipo de pared y el peso del aparato.

Montaje

Montaje de los accesorios (fig. A y B)

Este modelo incluye los siguientes accesorios:

- ◆ Un accesorio para hendiduras (8), para acceder a los rincones difíciles.
- ◆ Un cepillo (9) para muebles y escaleras.

Para montar un accesorio, siga el procedimiento indicado a continuación:

- ◆ Tome los accesorios de su posición de almacenamiento en el aparato o en la base del cargador (7) (fig. L y M).
- ◆ Introduzca el accesorio más apropiado en la parte frontal del aparato.

Riesgos residuales

El uso de esta herramienta puede producir riesgos residuales adicionales no incluidos en las advertencias de seguridad adjuntas. Estos riesgos se pueden generar por un uso incorrecto, demasiado prolongado, etc.

El cumplimiento de las normas de seguridad correspondientes y el uso de dispositivos de seguridad no evitan ciertos riesgos residuales. Estos riesgos incluyen:

- ◆ Lesiones producidas por el contacto con piezas móviles o giratorias.
- ◆ Lesiones producidas al cambiar cualquier pieza, cuchilla o accesorio.
- ◆ Lesiones producidas al usar una herramienta por un tiempo demasiado prolongado. Si utiliza una herramienta durante períodos de tiempo demasiado prolongados, asegúrese de realizar pausas con frecuencia.
- ◆ Discapacidad auditiva.
- ◆ Riesgos para la salud producidos al respirar el polvo que se genera al usar la herramienta (por ejemplo: en los trabajos con madera, especialmente de roble, haya y tableros de densidad mediana).

Uso

- ◆ Antes de utilizar el aparato por primera vez, la batería debe estar completamente cargada.

- ◆ Cuando no esté utilizando el aparato, colóquelo en la base del cargador.

Carga de la batería (Fig. C)

Antes de cargar la batería:

- ◆ Compruebe que la prolongación del colector de polvo (1) esté retraída en el colector de polvo (2).
- ◆ Compruebe que el aparato esté apagado. La batería no se cargará si el conmutador de encendido/apagado (4) está en la posición de encendido.
- ◆ Coloque el aparato en la base del cargador (7) de la siguiente manera.
- ◆ Conecte el cargador. Conéctelo a la red eléctrica.

Durante la carga, es posible que el cargador se caliente. Esto es normal y no indica ningún fallo en el funcionamiento. Se puede dejar el aparato conectado al cargador indefinidamente.

El cargador de esta unidad se ha diseñado para ahorrar energía, pero también para proporcionar una carga más rápida. Cuando la unidad se encuentra en el modo de carga rápida, el indicador de carga (5) se ilumina la mayor parte del tiempo con pausas breves.

Cuando el cargador detecte que se ha alcanzado la carga completa, cambiará de modo y el indicador permanecerá apagado la mayor parte del tiempo con parpadeos cortos para mostrar que el cargador mantiene la carga de la batería y que el producto se encuentra listo para su uso. El tiempo de carga para recargar una batería completamente descargada es de unas 5 horas.

Ajuste del colector de polvo (fig. D)

- ◆ Es posible prolongar el colector de polvo (2) tirando de la extensión (1) hasta que quede bloqueada en la posición correspondiente.
- ◆ Retraiga la prolongación del colector de polvo (1) al pulsar la zona (12) marcada con una flecha y empujar la prolongación del colector de polvo (1) hacia el interior de éste (2).

Encendido y apagado (fig. E)

- ◆ Para encender el aparato, deslice el conmutador de encendido y apagado (4) hacia delante.
- ◆ Para apagar el aparato, deslice el conmutador de encendido y apagado (4) hacia atrás.

Optimización de la fuerza de succión (fig. F)

Para mantener la fuerza de succión del aparato, es necesario limpiar los filtros periódicamente.

- ◆ Deslice el botón de limpieza del filtro (6) hacia arriba y hacia abajo varias veces para quitar el polvo que se queda en los filtros (10 y 11).

Limpieza y mantenimiento

¡Atención! Limpie los filtros de forma regular (10 y 11).

Limpieza del colector de polvo y los filtros (fig. G - J)

Los filtros son reutilizables y se deben limpiar con regularidad.

- ◆ Pulse el botón de liberación (3) y extraiga el colector de polvo (2).
- ◆ Vacíe el colector de polvo (2) (fig. H).
- ◆ Extraiga los filtros (10 y 11) girándolos en el sentido de las agujas del reloj (fig. I).
- ◆ Separe los filtros (10 y 11)
- ◆ Cepille el polvo de los filtros (10 y 11).
- ◆ Lave los filtros en agua caliente con jabón (fig. J). También puede limpiar el colector de polvo (2) si lo considera necesario.

¡Atención! No introduzca el aparato en agua.

- ◆ Asegúrese de que el colector de polvo (2) y los filtros (10 y 11) están secos.
- ◆ Vuelva a colocar los filtros (10 y 11) en el aparato, girándolos en el sentido contrario al de las agujas del reloj hasta que encajen.
- ◆ Vuelva a montar el colector de polvo (2) en el aparato. Compruebe que el colector de polvo encaja en su lugar.

¡Atención! No utilice nunca el aparato sin filtros. Sólo conseguirá un óptimo rendimiento del aparato si los filtros están limpios.

Sustitución de los filtros

Es necesario cambiar los filtros cada 6 ó 9 meses y cuando estén gastados o deteriorados. Encontrará un filtro de repuesto (9) a través de su distribuidor de Black & Decker (número de catálogo VF70):

- ◆ Extraiga los filtros viejos como se ha descrito anteriormente.
- ◆ Coloque los filtros nuevos como se ha descrito anteriormente.

Almacenamiento de los accesorios (fig. K y L)

- ◆ Coloque los accesorios en los soportes correspondientes y presione hasta que oiga un clic.

Protección del medio ambiente



Recogida selectiva. No se debe desechar este producto con el resto de residuos domésticos.

Si llegase el momento en que fuese necesario sustituir su producto Black & Decker o si éste dejase de tener utilidad para usted, no lo deseche junto con los residuos domésticos. Sepárelo para su recogida selectiva.



La recogida selectiva de productos y embalajes usados permite el reciclaje de materiales y su reutilización. La reutilización de materiales reciclados contribuye a evitar la contaminación medioambiental y reduce la demanda de materias primas.

Las normativas municipales deben ofrecer la recogida selectiva de productos eléctricos del hogar, en puntos municipales previstos para ello o a través

del distribuidor en el caso en que se adquiera un nuevo producto.

Black & Decker proporciona facilidades para la recogida y reciclado de los productos Black & Decker que hayan llegado al final de su vida útil. Para poder utilizar este servicio, le rogamos entregue el producto a cualquier servicio técnico autorizado que se hará cargo de él en nuestro nombre.

Para consultar la dirección del servicio técnico más cercano póngase en contacto con la oficina local de Black & Decker en la dirección que se indica en este manual. Como alternativa, se puede consultar en Internet, en la dirección siguiente, la lista de servicios técnicos autorizados e información completa sobre nuestros servicios de posventa y contactos: www.2helpU.com.

Batería (fig. L)



Para desechar este producto personalmente, debe extraer la batería como se describe a continuación y desecharla según la legislación aplicable.

- ◆ Se recomienda descargar la batería totalmente, utilizando el aparato hasta que se detenga el motor.
- ◆ Pulse el botón de liberación (3) y extraiga el colector de polvo (2).
- ◆ Extraiga los filtros (10 y 11) girándolos en el sentido de las agujas del reloj (fig. I).
- ◆ Extraiga los siete tornillos mientras sujeta el cuerpo del aparato para que no se desmonte.
- ◆ Extraiga la cubierta a medias.
- ◆ haga palanca para extraer la pequeña cubierta del conmutador de limpieza del filtro y extraiga el tornillo de seguridad del conmutador.
- ◆ extraiga el ensamblado completo de motor/ventilador/batería
- ◆ Extraiga la batería del montaje principal.

- ◆ Ubique la batería en un embalaje adecuado para garantizar que no se pueda crear un cortocircuito con los terminales.
- ◆ Llévela a su agente de reparaciones o a un centro de reciclaje local.

Una vez extraída, la batería no se puede volver a colocar.

Manual de instrucciones

Este manual de instrucciones está realizado con materiales 100% reciclados y podrá reciclarse cuando deje de tener utilidad.

Características técnicas

DV1205EN H3	
Voltaje	V de cc 12,0
Batería	tipo NiMH
Peso	kg 1,5

Cargador	CHA01005*
Modelo	DV1205EN

Voltaje de entrada	V de ca 100-240
Voltaje de salida	V de cc 8-23
Corriente de salida	mA 400
Tiempo de carga aproximado	h 5
Peso	kg 0,3

Nivel de presión de sonora de acuerdo con la directiva EN 60704-1: <70 dB (A)

Garantía

Black & Decker confía plenamente en la calidad de sus productos y ofrece una garantía extraordinaria. Esta declaración de garantía es un añadido, y en ningún caso un perjuicio para sus derechos estatutarios. La garantía es válida dentro de los territorios de los Estados miembros de la Unión Europea y de los de la Zona Europea de Libre Comercio.

Si cualquier producto de Black & Decker resultara defectuoso debido a materiales o mano de obra defectuosos o a la falta de conformidad, Black & Decker garantiza, dentro de los 24 meses posteriores a la fecha de compra, la sustitución de las piezas defectuosas, la reparación de los productos sujetos a un desgaste y rotura razonables o la sustitución de tales productos para garantizar al cliente el mínimo de inconvenientes, a menos que:

- ◆ El producto se haya utilizado con propósitos comerciales, profesionales o de alquiler.
- ◆ El producto se haya sometido a un uso inadecuado o negligente.
- ◆ El producto haya sufrido daños causados por objetos o sustancias extrañas o accidentes.
- ◆ Se hayan realizado reparaciones por parte de personas que no sean del servicio técnico autorizado o personal de servicios de Black & Decker.

Para reclamar en garantía, será necesario que presente la prueba de compra al vendedor o al servicio técnico de reparaciones autorizado. Pueden consultar la dirección de su servicio técnico más cercano poniéndose en contacto con la oficina local de Black & Decker en la dirección que se indica en este manual. Como alternativa, se puede consultar en Internet, en la dirección siguiente, la lista de servicios técnicos autorizados e información completa de nuestros servicios de posventa y contactos: **www.2helpU.com**

Visite el sitio web

www.blackanddecker.eu para registrar su nuevo producto Black & Decker y estar al día sobre productos y ofertas especiales. Encontrará información adicional sobre la marca Black & Decker y nuestra gama de productos en **www.blackanddecker.eu**.

Utilização

O seu aspirador portátil Black & Decker Dustbuster® foi concebido para limpezas leves. Este aparelho destina-se apenas a utilização doméstica.

Informações sobre Design e Patentes

Números de Registo de Design CE:

- ◆ 607643-0001
- ◆ 607668-0001
- ◆ 607650-0001

Instruções de segurança

Advertência! Ao utilizar aparelhos alimentados a bateria, deve sempre cumprir medidas de segurança básicas, incluindo as seguintes, de modo a reduzir os riscos de incêndio, fuga do líquido da bateria, lesões pessoais e danos materiais.

- ◆ Leia cuidadosamente o manual completo antes de utilizar este aparelho.
- ◆ A utilização prevista para este aparelho está descrita no manual. A utilização de qualquer acessório ou a realização de qualquer operação com este aparelho que não se inclua no presente manual de instruções poderá representar um risco de ferimentos pessoais.
- ◆ Conserve este manual para referência futura.

Utilizar o seu aparelho

- ◆ Não utilize este aparelho para aspirar líquidos ou quaisquer materiais combustíveis.
- ◆ Não utilize este aparelho perto da água.
- ◆ Não mergulhe o aparelho em água.
- ◆ Nunca puxe pelo cabo do carregador para desligar o carregador da tomada. Mantenha o cabo do carregador afastado do calor, combustíveis e esquinas afiadas.
- ◆ Este aparelho não se destina a ser utilizado por jovens ou pessoas enfermas sem supervisão. As crianças deverão ser vigiadas para que não mexam no aparelho.

Após a utilização

- ◆ Desligue o carregador ou a base de carga antes de os limpar.
- ◆ Quando não estiver a ser utilizado, o aparelho deve ser armazenado num local seco.
- ◆ As crianças não devem ter acesso aos aparelhos armazenados.

Inspecção e reparações

- ◆ Antes da utilização, verifique o aparelho quanto a peças danificadas ou avariadas. Verifique se há peças partidas, danos nos interruptores ou outro tipo de condições que possam afectar o seu funcionamento.
- ◆ Não utilize este aparelho se alguma das suas peças estiver danificada ou com defeito.
- ◆ Qualquer peça com dano ou defeito deverá ser reparada ou substituída por um agente autorizado.
- ◆ Verifique regularmente se existem danos no cabo do carregador. Substitua o carregador se o cabo danificado ou com defeito.
- ◆ Nunca tente retirar ou substituir quaisquer peças que não as especificadas neste manual.

Instruções de segurança adicionais para baterias e carregadores

Baterias

- ◆ Nunca tente abrir a bateria por motivo algum.
- ◆ Não exponha a bateria à água.
- ◆ Não exponha a bateria ao calor.
- ◆ Não armazene em locais onde a temperatura possa exceder os 40°C.
- ◆ Carregue apenas a temperaturas ambiente entre 10°C e 40°C.
- ◆ Carregue apenas com o carregador fornecido com o aparelho/ferramenta. A utilização do carregador errado pode resultar em choque eléctrico ou sobreaquecimento da bateria.
- ◆ Quando eliminar as baterias, siga as instruções da secção "Protecção do ambiente".

- ◆ Não danifique a bateria por perfuração ou impacto, pois poderá originar risco de ferimentos e incêndio.
- ◆ Não carregue baterias danificadas.
- ◆ Em condições extremas, pode ocorrer uma fuga nas baterias. Se detectar a fuga de líquido das baterias, limpe o líquido cuidadosamente com um pano. Evite o contacto com a pele.
- ◆ Em caso de contacto com a pele ou com os olhos, siga as instruções seguintes.

Atenção! O fluido da bateria pode causar ferimentos pessoais ou danos materiais. Em caso de contacto com a pele, enxágue imediatamente com água. Em caso de vermelhidão, dor ou irritação, contacte um médico. Em caso de contacto com os olhos, enxágue imediatamente com água limpa e contacte um médico.

Carregadores

O seu carregador foi concebido para uma tensão específica. Verifique sempre se a tensão de alimentação corresponde à tensão indicada na placa de especificações.

Atenção! Nunca tente substituir a unidade do carregador por uma tomada normal de alimentação.

- ◆ Utilize o seu carregador Black & Decker apenas para carregar a bateria do aparelho/ferramenta com que foi fornecido. Outras baterias poderão rebentar, provocando lesões pessoais e danos.
- ◆ Nunca tente carregar baterias não recarregáveis.
- ◆ Se o cabo de alimentação estiver danificado, terá de ser substituído pelo fabricante ou por um centro de assistência autorizado Black & Decker para evitar acidentes.
- ◆ Não exponha o carregador à água.
- ◆ Não abra o carregador.
- ◆ Não manipule o interior do carregador.

- ◆ O aparelho/ferramenta/bateria deve ser colocado numa área com boa ventilação durante o carregamento.

Segurança de terceiros

- ◆ Este aparelho não deve ser utilizado por pessoas (incluindo crianças) que apresentem capacidades físicas, sensoriais ou mentais reduzidas ou que não possuam os conhecimentos e a experiência necessários, excepto se forem vigiadas e instruídas acerca da utilização do aparelho por uma pessoa responsável pela sua segurança.
- ◆ As crianças deverão ser vigiadas para que não mexam no aparelho.

Segurança eléctrica

O seu carregador foi concebido para uma voltagem específica. Verifique sempre se a voltagem de alimentação corresponde à voltagem da placa informativa. Nunca tente substituir a unidade do carregador por uma tomada normal de alimentação.

Símbolos no Carregador



O seu carregador tem um isolamento duplo e, por isso, não é necessário um fio de terra.



Leia com atenção este manual na íntegra.



Transformador de isolamento anti-falha. A alimentação está electricamente separada da saída do transformador.



Apenas deverá ser feita uma utilização interior da base de carga.

Funções

1. Extensão do recipiente de poeira
2. Recipiente de poeira
3. Solte o interruptor
4. Interruptor para ligar/desligar
5. Indicador de carga
6. Botão de limpeza de filtro
7. Base de carga

Fig. A

8. Acessório de ponta chata
9. Escova

Instalação

Fixar a base de carga na parede

A base de carga pode ser colocada numa superfície de trabalho ou fixada à parede para proporcionar uma arrumação e um ponto de carga do aparelho práticos.

Ao fixar o aparelho numa parede, certifique-se de que o método de fixação é adequado ao tipo de parede e ao peso do aparelho.

Montagem

Fixar os acessórios (fig. A e B)

Este modelo é fornecido com os seguintes acessórios:

- ◆ Um acessório de ponta chata (8) para espaços exíguos.
- ◆ Uma escova (9) para móveis e escadas.

Para ajustar um acessório, proceda da seguinte forma:

- ◆ Retire os acessórios das suas posições de armazenamento no aparelho ou na base de carga (7) (fig. L e M).
- ◆ Introduza o acessório adequado na parte frontal do aparelho, tal como ilustrado.

Riscos residuais

Podem surgir riscos residuais adicionais durante a utilização da ferramenta que poderão não constar nos avisos de segurança incluídos. Estes riscos podem resultar de má utilização, uso prolongado, etc.

Mesmo com a aplicação dos regulamentos de segurança relevantes e com a implementação de dispositivos de segurança, alguns riscos residuais não podem ser evitados. Incluem:

- ◆ ferimentos causados pelo contacto com peças em rotação/movimento.
- ◆ ferimentos causados durante a troca de peças, lâminas ou acessórios.
- ◆ ferimentos causados pela utilização prolongada de uma ferramenta. Quando utilizar uma ferramenta por períodos prolongados, faça intervalos regulares.
- ◆ diminuição da audição.

problemas de saúde causados pela inalação de poeiras resultantes da utilização da ferramenta (exemplo: trabalhos em madeira, especialmente carvalho, faia e MDF).

Utilização

- ◆ Antes da primeira utilização, a bateria tem de estar totalmente carregada.
- ◆ Coloque o aparelho na base de carga quando este não estiver a ser utilizado.

Carregar a bateria (fig. C)

Antes de carregar a bateria:

- ◆ Certifique-se de que a extensão do recipiente de poeira (1) se encontra recolhida no recipiente de poeira (2).
- ◆ Certifique-se de que o aparelho está desligado. A bateria não carrega com o interruptor para ligar/desligar (4) na posição ligado.
- ◆ Coloque o aparelho na base de carga (7) como é apresentado.
- ◆ Ligue o carregador. Ligue à corrente.

Ao carregar, o carregador pode aquecer. Isto é normal e não indicia qualquer problema. O aparelho pode ser deixado ligado ao carregador, indefinidamente.

O carregador desta unidade foi concebido para economizar energia mas também para proporcionar um carregamento mais rápido. Quando a unidade se encontra no modo de carregamento rápido, o indicador de

carga (5) ficará a maior parte do tempo iluminado, desligando-se durante curtos períodos. Quando o carregador detecta que a carga está completa, o carregador mudará o modo e o indicador estará desligado a maior parte do tempo, com curtos impulsos a indicar que o carregador está a manter a carga da bateria, fazendo com que o produto esteja pronto para ser utilizado. O tempo de carga para recarregar totalmente a bateria descarregada será cerca de 5 horas.

Ajustar o recipiente de poeira (fig. D)

- ◆ Aumente o comprimento do recipiente de poeira (2), puxando a extensão do recipiente de poeira (1) até ficar fixo na devida posição.
- ◆ Recolha a extensão do recipiente de poeira (1), pressionando a área (12) assinalada com uma seta e empurrando a extensão do recipiente de poeira (1) de novo para dentro do recipiente de poeira (2).

Ligar e desligar (fig. E)

- ◆ Para ligar o aparelho, faça deslizar para a frente o interruptor para ligar/desligar (4).
- ◆ Para desligar o aparelho, faça deslizar para trás o interruptor para ligar/desligar (4).

Optimizar a potência de sucção (fig. F)

Para garantir uma potência de sucção otimizada, os filtros devem ser limpos regularmente durante a utilização.

- ◆ Faça deslizar o botão de limpeza de filtro (6) para cima e para baixo algumas vezes para retirar a poeira que causa a obstrução dos filtros (10 e 11).

Limpeza e manutenção

Advertência! Limpe regularmente os filtros (10 e 11).

Limpeza do recipiente de poeira e filtros (fig. G - J)

Os filtros são re-utilizáveis e devem ser limpos regularmente.

- ◆ Pressione o botão de desbloqueio (3) e retire o recipiente de poeira (2).
- ◆ Esvazie o recipiente de poeira (2) (fig. H).
- ◆ Retire os filtros (10 e 11), rodando-os no sentido dos ponteiros do relógio (fig. I).
- ◆ Separe os filtros (10 e 11).
- ◆ Escove quaisquer poeiras soltas dos filtros (10 e 11).
- ◆ Lave os filtros em água morna com sabão (fig. J). O recipiente de poeira (2) também pode ser lavado, se necessário.

Advertência! Não mergulhe o aparelho em água.

- ◆ Certifique-se de que o recipiente de poeira (2) e os filtros (10 e 11) estão secos.
- ◆ Volte a colocar os filtros (10 e 11) no aparelho, rodando-os no sentido contrário ao dos ponteiros do relógio até encaixarem na devida posição.
- ◆ Volte a colocar o recipiente de poeira (2) no aparelho. Certifique-se de que ouve um clique de encaixe do recipiente de poeira.

Advertência! Nunca utilize o aparelho sem filtros. Apenas será obtida uma excelente recolha das poeiras com os filtros limpos.

Recolocação dos filtros.

Os filtros deverão ser substituídos a cada 6 a 9 meses e sempre que gastos ou danificados. Está disponível um filtro para substituição (9) junto do seu revendedor Black & Decker (cat. n.ºVF70):

- ◆ Retire os filtros usados como indicado acima.
- ◆ Coloque os filtros novos como indicado acima.

Armazenar os acessórios (fig. K e L)

- ◆ Pressione os acessórios nos suportes correspondentes até ouvir um som de encaixe.

Protecção do ambiente



Recolha separada. Este produto não pode ser eliminado juntamente com os resíduos domésticos normais.

Se em algum momento verificar que é necessário substituir o aparelho ou que este deixou de ter utilidade, pense na protecção do ambiente. Os agentes de reparação da Black & Decker aceitam ferramentas Black & Decker antigas e garantem que são eliminadas de uma forma segura em termos ambientais.



A recolha separada de produtos e embalagens usados permite que os materiais sejam reciclados e novamente utilizados. A reutilização de materiais reciclados ajuda a evitar a poluição ambiental e reduz a procura de matérias-primas.

A legislação local poderá prever a recolha separada de produtos domésticos eléctricos, seja em lixeiras municipais ou através do revendedor quando adquira um produto novo.

A Black & Decker dispõe de instalações para recolha e reciclagem de produtos Black & Decker quando estes atingem o fim da sua vida útil. Para usufruir deste serviço, devolva o produto em qualquer agente de reparação autorizado, que os recolherá em seu nome.

Pode verificar a localização do agente de reparação autorizado mais perto de si, contactando os escritórios locais da Black & Decker através do endereço indicado neste manual. Se preferir, pode encontrar na Internet uma lista de agentes de reparação autorizados Black & Decker, detalhes completos e contactos do serviço pós-venda, no endereço: www.2helpU.com.

Bateria (fig. L)



Se pretender eliminar o produto, deverá retirar a bateria tal como abaixo descrito, eliminando-a de acordo com os regulamentos locais.

- ◆ É preferível que descarregue a bateria colocando o aparelho em funcionamento até o motor parar.
- ◆ Pressione o botão de desbloqueio (3) e retire o recipiente de poeira (2).
- ◆ Retire os filtros (10 e 11), rodando-os no sentido dos ponteiros do relógio (fig. I).
- ◆ Retire os sete parafusos que fixam a estrutura do aparelho.
- ◆ Puxe metade da tampa para fora da respectiva posição.
- ◆ force a tampa pequena da patilha de limpeza de filtro e retire o parafuso de fixação da patilha.
- ◆ retire todo o conjunto do motor/ventoinha/bateria
- ◆ Desligue o conjunto da bateria do conjunto principal.
- ◆ Coloque a bateria numa embalagem adequada, certificando-se de que os terminais não entram em curto-circuito.
- ◆ Leve a bateria ao seu agente de manutenção ou a uma estação de reciclagem local.

Depois de removida, a bateria não pode ser re-inserida.

Manual de instruções

Este manual de instruções foi feito a partir de material 100% reciclado, podendo ser reciclado quando já não precisar dele.

Dados técnicos

DV1205EN H3	
Tensão	Vdc 12.0
Pilha	tipo NiMH
Peso	kg 1.5

Carregador CHA01005*	
Modelo DV1205EN	
Voltagem de entrada	Vac 100-240
Voltagem de saída	Vdc 8-23
Corrente de saída	mA 400
Tempo de carga	h 5
aprox.	
Peso	kg 0,3

Nível de pressão sonora de acordo com EN60704-1: <70 dB(A)

Garantia

A Black & Decker confia na qualidade dos seus produtos e oferece uma garantia excelente. Esta declaração de garantia é um complemento dos seus direitos estabelecidos por lei, não os prejudicando de forma alguma. A garantia é válida nos territórios dos Estados Membros da União Europeia e da Associação Europeia de Comércio Livre.

Se um produto Black & Decker se avariar devido a defeitos de material, fabrico ou não conformidade, num período de 24 meses após a data da compra, a Black & Decker garante a substituição de peças defeituosas, a reparação de produtos sujeitos a um desgaste aceitável ou a substituição dos mesmos para garantir o mínimo de inconveniente ao cliente, excepto se:

- ◆ O produto tiver sido utilizado para fins comerciais, profissionais ou de aluguer.
- ◆ O produto tiver sido submetido a utilização indevida ou descuido.
- ◆ O produto tiver sido danificado por objectos estranhos, substâncias ou acidentes.

- ◆ Tiverem sido tentadas reparações por pessoas que não sejam agentes de reparação autorizados ou técnicos de manutenção da Black & Decker.

Para accionar a garantia, terá de apresentar comprovativos de compra ao vendedor ou a um agente de reparação autorizado. Pode verificar a localização do agente de reparação autorizado mais perto de si, contactando os escritórios locais da Black & Decker através do endereço indicado neste manual. Se preferir, pode encontrar na Internet uma lista de agentes de reparação autorizados Black & Decker, detalhes completos e contactos do serviço pós-venda, no endereço: www.2helpU.com

Visite o nosso website

www.blackanddecker.eu para registar o novo produto Black & Decker e manter-se actualizado relativamente a novos produtos e ofertas especiais. Pode encontrar mais informações sobre a marca Black & Decker e nossa gama de produtos em www.blackanddecker.eu.

Användningsområde

Din handdammsugare från Black & Decker Dustbuster® har skapats för torrdammsugning. Apparaten är endast avsedd för hemmabruk.

Design- och patentinformation

Designregistreringsnummer inom EG:

- ◆ 607643-0001
- ◆ 607668-0001
- ◆ 607650-0001

Säkerhetsinstruktioner

Varning! För att minska risken för brand, läckande batterier, personskador och materialskador ska du alltid följa grundläggande säkerhetsföreskrifter, inklusive de som följer, vid användning av batteridrivna apparater.

- ◆ Läs den här bruksanvisningen noggrant innan du använder apparaten.
- ◆ Användningsområdet beskrivs i den här bruksanvisningen. Användning av andra tillbehör eller tillsatser eller om någon annan åtgärd utförs med apparaten än de som rekommenderas i den här bruksanvisningen kan leda till personliga skador.
- ◆ Behåll bruksanvisningen för framtida referens.

Använda apparaten

- ◆ Använd inte apparaten för att suga upp vätskor eller material som kan fatta eld.
- ◆ Använd inte apparaten i närheten av vatten.
- ◆ Doppa aldrig apparaten i vatten.
- ◆ Dra aldrig i sladden till laddaren när du drar ut den från vägguttaget. Håll sladden till laddaren borta från värme, olja och vassa kanter.
- ◆ Ungdomar eller personer med svag hälsa ska inte använda verktyget utan tillsyn. Håll uppsyn över barn så att de inte leker med apparaten.

Efter användning

- ◆ Dra ur sladden till laddaren innan du rengör den.

- ◆ När den inte används bör apparaten förvaras torrt.
- ◆ Placera apparaten på ett ställe där barn inte kan komma åt den.

Kontroll och reparationer

- ◆ Kontrollera att apparaten är hel och att den inte innehåller några skadade delar innan du använder den. Kontrollera att inga delar är trasiga, att strömbrytaren fungerar och att inget annat föreligger som kan påverka apparatens funktioner.
- ◆ Använd inte apparaten om någon del har skadats eller gått sönder.
- ◆ Reparera eller byt ut skadade eller trasiga delar på en auktoriserad verkstad.
- ◆ Kontrollera regelbundet att sladden till laddaren inte har skadats. Byt ut laddaren om sladden är skadad eller trasig.
- ◆ Försök aldrig ta bort eller byta ut andra delar än dem som anges i den här bruksanvisningen.

Ytterligare säkerhetsinstruktioner för batterier och laddare

Batterier

- ◆ Försök aldrig att öppna batterierna.
- ◆ Utsätt inte batteriet för vatten.
- ◆ Utsätt inte batteriet för värme.
- ◆ Förvara inte apparaten på platser där temperaturen kan bli högre än 40°C.
- ◆ Ladda endast vid lufttemperaturer mellan 10°C och 40°C.
- ◆ Ladda endast med hjälp av laddaren som medföljer apparaten. Användning av fel laddare kan resultera i en elektrisk stöt eller att batteriet överhettas.
- ◆ Följ instruktionerna i avsnittet "Miljö" när du gör dig av med batterier.
- ◆ Skydda batteriet från skador/ deformerings i form av slag och stötar eftersom det kan leda till personskador eller eldsvåda.
- ◆ Ladda inte skadade batterier.
- ◆ Under extrema förhållanden kan batterierna läcka. Om det finns vätska på batterierna ska du torka

bort vätskan försiktigt med en trasa.
Undvik hudkontakt.

- ◆ Vid kontakt med hud eller ögon, följ instruktionerna nedan.

Varning! Batterivätskan kan orsaka person- eller materialskador. Vid hudkontakt, skölj genast med vatten. Vid rodnader, smärta eller irritation ska läkare uppsökas. Vid kontakt med ögon, skölj genast med rent vatten, och uppsök läkare.

Laddare

Laddaren är avsedd för en viss spänning. Kontrollera alltid att nätspänningen överensstämmer med värdet på typskylten.

Varning! Försök aldrig byta ut kontakten till laddaren mot en vanlig kontakt.

- ◆ Använd laddaren från Black & Decker endast för att ladda batteriet i den apparat som laddaren levererades med. Andra batterier kan spricka och orsaka personsador och andra skador.
- ◆ Försök aldrig att ladda ej uppladdningsbara batterier.
- ◆ Om nätsladden är skadad måste den för undvikande av fara bytas ut av tillverkaren eller en auktoriserad Black & Decker-verkstad.
- ◆ Utsätt inte laddaren för vatten.
- ◆ Öppna inte laddaren.
- ◆ Gör ingen åverkan på laddaren.
- ◆ Apparaten/verktyget/batteriet ska placeras på en plats med god ventilation vid laddning.

Säkerhet för andra

- ◆ Apparaten ska inte användas av personer (inklusive barn) med nedsatt fysisk eller psykisk förmåga eller bristande erfarenhet eller kunskap om de inte får vägledning och övervakas av en person som ansvarar för deras säkerhet.
- ◆ Barn ska hållas under uppsikt så att de inte leker med apparaten.

Elektrisk säkerhet

Laddaren är avsedd för en viss spänning. Kontrollera alltid att nätspänningen överensstämmer med värdet på

typskylten. Försök aldrig byta ut kontakten till laddaren mot en vanlig kontakt.

Symboler på laddaren



Eftersom laddaren är dubbelisolerad behövs ingen jordledare.



Läs noga igenom den här bruksanvisningen.



Helsäker isoleringstransformator. Elnätet är elektriskt avskilt från transformatorns uteffekt.



Laddaren är endast avsedd för användning inomhus.

Funktioner

1. Dammuppsamlarförlängning
2. Dammuppsamlare
3. Låsknapp
4. Strömbrytare
5. Laddningsindikator
6. Filterrengöringsknapp
7. Laddare

Bild A

8. Elementmunstycke
9. Borstmunstycke

Installation

Montera laddaren på väggen

Laddaren kan placeras på ett bord eller monteras på väggen för att du enkelt ska kunna förvara och ladda apparaten.

Om du monterar den på väggen ska du göra det på ett sätt som är lämpligt för väggtypen och för apparatens vikt.

Montering

Montera tillbehören (bild A och B)

Följande tillbehör medföljer den här modellen:

- ◆ Ett elementmunstycke (8) för trånga utrymmen.

- ◆ Ett borstmunstycke (9) för möbler och trappor.

Montera tillbehören enligt följande:

- ◆ Ta ut tillbehören ur förvaringsutrymmet på apparaten eller laddaren (7) (bild L och M).
- ◆ Montera tillbehöret längst fram på apparaten.

Övriga risker

Ytterligare risker som inte finns med i de bifogade säkerhetsföreskrifterna kan uppstå när verktyget används. Dessa risker kan uppstå vid felaktig eller långvarig användning, etc.

Även om alla relevanta säkerhetsföreskrifter följs och säkerhetsanordningar används kan vissa ytterligare risker inte undvikas. Dessa innefattar:

- ◆ Skador orsakade av att roterande/rörliga delar vidrörs.
- ◆ Skador som uppstår vid byte av delar, blad eller tillbehör.
- ◆ Skador som orsakas av långvarig användning av ett verktyg. Se till att ta regelbundna raster när du använder ett verktyg under en längre period.
- ◆ Skador på hörseln.
- ◆ Hälsofaror orsakade av inandning av damm när verktyget används (exempel: arbete med trä, särskilt ek, bok och MDF).

Användning

- ◆ Batteriet måste vara fulladdat innan det användas för första gången.
- ◆ Placera apparaten i laddaren när den inte används.

Ladda batteriet (fig. C)

Innan du laddar batteriet:

- ◆ Se till att dammuppsamlarförlängningen (1) är intryckt i dammuppsamlaren (2).
- ◆ Kontrollera att apparaten är avstängd. Batteriet laddas inte om strömbrytaren (4) är i läget på.
- ◆ Placera apparaten i laddaren (7) enligt bilden.

- ◆ Anslut laddaren. Slå på den vid eluttaget.

Medan apparaten laddas kan laddaren bli varm. Det är normalt och innebär inte att något är fel. Apparaten kan lämnas ansluten till laddaren hur länge som helst.

Den här enhetens laddare är konstruerad för att kunna spara energi men också för att ladda snabbare. När enheten befinner sig i snabbbladdningsläget kommer laddningsindikatorn (5) mestadels att lysa med korta avbrott. När laddaren känner av att laddningen slutförts kommer den att ändra läge och indikatorn slocknar och blinkar endast i korta pulserande intervaller som visar att laddaren håller batteriet laddat och klar för användning. Ett helt urladdat batteri blir fulladdat på ungefär 5 timmar.

Justera dammuppsamlaren (bild D)

- ◆ Förläng dammuppsamlaren (2) genom att dra ut dammuppsamlarförlängningen (1) tills den låses på plats.
- ◆ Tryck tillbaka dammuppsamlarförlängningen (1) genom att trycka på området (12) som är markerat med en pil och skjuta förlängningen (1) tillbaka in i dammuppsamlaren (2).

Sätta på och stänga av (bild E)

- ◆ Slå på apparaten genom att föra strömbrytaren (4) framåt.
- ◆ Stäng av apparaten genom att föra strömbrytaren (4) bakåt.

Optimera sugkraften (fig. F)

Filtren bör rengöras regelbundet för att optimera sugkraften.

- ◆ Skjut filterrengöringsknappen (6) uppåt och nedåt några gånger för att skaka loss damm som täpper till filtren (10 och 11).

Rengöra och underhålla

Varning! Rengör filtren regelbundet (10 och 11).

Rengöra dammupsamlaren och filtren (fig. G - J)

Filtren kan återvändas och bör rengöras med jämna mellanrum.

- ◆ Tryck på låsknappen (3) och ta av dammupsamlaren (2).
- ◆ Töm dammupsamlaren (2) (fig. H).
- ◆ Ta bort filtren (10 och 11) genom att vrida dem medurs (bild I).
- ◆ Separera filtren från varandra (10 och 11).
- ◆ Borsta bort eventuellt damm från filtren (10 och 11).
- ◆ Tvätta filtren i varmt tvålsvatten (fig. J). Dammupsamlaren (2) kan också tvättas vid behov.

Varning! Doppa aldrig apparaten i vatten.

- ◆ Se till att dammupsamlaren (2) och filtren (10 och 11) är helt torra.
- ◆ Sätt tillbaka filtren (10 och 11) i apparaten genom att vrida dem moturs tills de låses på plats.
- ◆ Sätt tillbaka dammupsamlaren (2) i apparaten och se till att den klickar på plats.

Varning! Använd aldrig apparaten utan filtren. Dammsugningen fungerar bäst med rena filter.

Byta filtren

Filtren bör bytas ut var sjätte till nionde månad, eller om de är utslitna eller trasiga. Ersättningsfilter (9) finns att köpa hos din Black & Decker-återförsäljare (katalognr VF70):

- ◆ Ta loss de gamla filtren enligt beskrivningen ovan.
- ◆ Montera de nya filtren enligt beskrivningen ovan.

Förvaring av tillbehören (fig. K och L)

- ◆ Tryck in tillbehören i respektive hållare tills det klickar till.

Miljö



Separat insamling. Produkten får inte kastas i hushållssoporna.

Tänk på miljön när du slänger denna Black & Decker-produkt. Släng den inte tillsammans med hushållsavfallet. Lämna produkten för separat insamling.



Separat insamling av uttjänta produkter och förpackningsmaterial gör att material kan återvändas. Användning av återvunnet material minskar föroreningar av miljön och behovet av råmaterial.

Lokala föreskrifter kan kräva separat insamling av elprodukter från hushållen, vid kommunala samlingsplatser eller hos återförsäljaren när du köper en ny produkt.

Black & Decker samlar in och återvinner uttjänta Black & Decker-produkter. Om du vill utnyttja denna tjänst återlämnar du produkten till en auktoriserad verkstad, som samlar in den för vår räkning.

För information om närmaste auktoriserade verkstad, kontakta det lokala Black & Decker-kontoret på den adress som är angiven i bruksanvisningen. En lista över alla auktoriserade verkstäder samt servicevillkor finns även tillgänglig på Internet: www.2helpU.com.

Batteri (fig. L)



Om du vill kassera produkten på egen hand måste batteriet tas bort enligt beskrivningen nedan och kastas enligt lokala bestämmelser.

- ◆ Du bör ladda ur batteriet genom att låta dammsugaren vara påslagen tills motorn stannar.

- ◆ Tryck på låsknappen (3) och ta av dammuppsamlaren (2).
- ◆ Ta bort filtren (10 och 11) genom att vrida dem medurs (bild I).
- ◆ Ta bort de sju skruvarna som håller ihop apparatens hölje.
- ◆ Dra höljet halvvägs bort från apparatens mitt.
- ◆ bänd loss det lilla höljet från filterrengöringsreglaget och ta bort skruven som håller fast reglaget.
- ◆ ta ut hela motor-/fläkt-/batterienheten.
- ◆ Ta av batterienheten från huvudenheten.
- ◆ Packa in batteriet så att polerna inte kan kortslutas.
- ◆ Ta med batteriet till en verkstad eller en återvinningsstation.

När batteriet har tagits ur går det inte att sätta tillbaka det.

Bruksanvisning

Den här bruksanvisningen består av 100 % återvunnet material och kan återvinnas när du inte längre har någon användning för den.

Tekniska data

DV1205EN H3	
Spänning	Vdc 12,0
Batteri	typ NiMH
Vikt	kg 1,5

Laddare	CHA01005*
Modell	DV1205EN
Inspänning	Vac 100-240
Utspänning	Vdc 8-23
Utström	mA 400
Laddningstid cirka	tim 5
Vikt	kg 0.3

Ljudnivå, mätt enligt
EN 60704-1: <70 dB (A)

Garanti

Black & Decker garanterar att produkten är fri från material- och/eller fabrikationsfel vid leverans till kund. Garantin gäller utöver konsumentens rättigheter enligt lag och påverkar inte dessa. Garantin gäller inom medlemsstaterna i Europeiska Unionen och i det Europeiska Frihandelsområdet. Om en Black & Decker-produkt går sönder på grund av material- och/eller fabrikationsfel eller brister i överensstämmelse med specifikationen, inom 24 månader från köpet, åtar sig Black & Decker att reparera eller byta ut produkten med minsta besvär för kunden, förutom om:

- ◆ Produkten har använts i kommersiellt, yrkesmässigt eller uthyringssyfte.
- ◆ Produkten har utsatts för felaktig användning eller skötsel.
- ◆ Produkten har skadats av främmande föremål, ämnen eller genom olyckshändelse.
- ◆ Reparation har utförts av någon annan än en auktoriserad Black & Decker-verkstad.

SVENSKA

För att utnyttja garantin skall produkten och inköpskvittot lämnas till återförsäljaren eller till en auktoriserad verkstad senast 2 månader efter det att felet har upptäckts. För information om närmaste auktoriserad verkstad, kontakta det lokala Black & Decker-kontoret på den adress som är angiven i bruksanvisningen. En lista på alla auktoriserade verkstäder samt servicevillkor finns även tillgängliga på Internet:

www.2helpU.com

Besök vår webbplats

www.blackanddecker.se för att registrera din nya Black & Decker-produkt och för att få information om nya produkter och specialerbjudanden. Ytterligare information om märket Black & Decker och vårt produktsortiment återfinns på **www.blackanddecker.se**.

Bruksområde

Den håndholdte støvsugeren Dustbuster® fra Black & Decker er konstruert for lett støvsuging på tørre overflater. Apparatet er kun tiltenkt for bruk i husholdningen.

Konstruksjons- og patentinformasjon

Konstruksjonsregistreringsnumre (EF):

- ◆ 607643-0001
- ◆ 607668-0001
- ◆ 607650-0001

Sikkerhetsinstrukser

Advarsel! Ved bruk av batteridrevne apparater må grunnleggende sikkerhetsforholdsregler (inkludert punktene som er beskrevet nedenfor) alltid følges for å redusere risikoen for brann, batterilekkasje, personskade og skade på materiell.

- ◆ Les hele håndboken nøye før du bruker apparatet.
- ◆ Tiltent bruk er beskrevet i denne håndboken. Bruk av tilbehør eller utføring av oppgaver som ikke er anbefalt for apparatet i denne håndboken, kan medføre fare for personskade.
- ◆ Oppbevar håndboken for fremtidig referanse.

Bruk av apparatet

- ◆ Ikke bruk apparatet til å suge opp væske eller materialer som kan ta fyr.
- ◆ Ikke bruk apparatet i nærheten av vann.
- ◆ Ikke senk apparatet ned i vann.
- ◆ Ikke dra i ledningen når du skal fjerne laderen fra stikkontakten. Hold ledningen til laderen borte fra varmekilder, olje og skarpe kanter.
- ◆ Dette apparatet er ikke beregnet for bruk av unge eller uerfarne personer uten tilsyn. Barn må ha tilsyn for å sikre at de ikke leker med apparatet.

Etter bruk

- ◆ Fjern laderen fra stikkontakten før du rengjør selve laderen eller ladeenheten.

- ◆ Når apparatet ikke er i bruk, skal det oppbevares på et tørt sted.
- ◆ Barn skal ikke ha tilgang til apparater som ikke er i bruk.

Kontroll og reparasjon

- ◆ Kontroller at apparatet ikke er skadet eller har defekte deler før du bruker det. Kontroller om noen av delene har sprekker, om bryterne er skadet eller om det er andre forhold som kan ha innvirkning på driften.
- ◆ Ikke bruk apparatet hvis det har skadde eller defekte deler.
- ◆ Overlat reparasjon eller utskifting av skadde eller defekte deler til et autorisert serviceverksted.
- ◆ Kontroller jevnlig om ledningen til laderen er skadd. Skift ut laderen hvis ledningen har skade eller laderen ikke virker slik den skal.
- ◆ Forsøk aldri å fjerne eller skifte ut andre deler enn de som er oppgitt i denne håndboken.

Ytterligere sikkerhetsinstruksjoner for batterier og ladere

Batterier

- ◆ Forsøk aldri å åpne uansett hvilket formål du måtte ha.
- ◆ Ikke utsett batteriet for vann.
- ◆ Ikke utsett batteriet for varme.
- ◆ Skal ikke oppbevares på steder der temperaturen kan overskride 40°C.
- ◆ Skal lades bare ved omgivelsestemperaturer mellom 10°C og 40°C.
- ◆ Bruk bare ladere av typen som følger med maskinen/redskapet. Hvis du bruker feil lader, kan dette føre til et elektrisk støt eller at batteriet overopphetes.
- ◆ Følg instruksjonene i avsnittet "Miljø" når du skal kaste batterier.
- ◆ Ikke skad eller deformer batteripakken ved punktering eller støt, da dette kan føre til risiko for personskade og brann.
- ◆ Ikke lad skadede batterier.

- ◆ Under ekstreme forhold kan det forekomme batterilekkasje. Hvis du oppdager væske på batteriene, må du tørke den forsiktig av med en klut. Unngå kontakt med huden.
- ◆ Hvis væsken kommer i kontakt med huden eller øynene, følger du instruksjonene nedenfor.

Advarsel! Batterivæsken kan føre til personskade eller skade på eiendom. Ved hudkontakt skyller du umiddelbart med vann. Hvis huden blir rød eller irritert eller smerter inntreffer, søk øyeblikkelig medisinsk hjelp. Hvis væsken kommer i kontakt med øynene, skyller du umiddelbart med rent vann og søker øyeblikkelig medisinsk hjelp.

Ladere

Laderen er konstruert for en bestemt spenning. Kontroller alltid at nettspenningen er i overensstemmelse med spenningen på typeskiltet.

Advarsel! Prøv aldri å skifte ut laderen med et vanlig nettstøpsel.

- ◆ Black & Decker-laderen skal bare brukes til å lade batteriet i apparatet/verktøyet som laderen kom sammen med. Andre batterier kan sprekke og føre til personskade og materiell skade.
- ◆ Prøv aldri å lade ikke-oppladbare batterier.
- ◆ Hvis strømledningen blir skadet, må den skiftes av produsenten eller et autorisert Black & Decker-servicesenter for å unngå fare.
- ◆ Ikke utsett laderen for vann.
- ◆ Ikke åpne laderen.
- ◆ Ikke stikk gjenstander eller fingre ned i laderen.
- ◆ Apparatet/verktøyet/batteriet må plasseres på et sted med god gjennomlufting når det lades.

Andre personers sikkerhet

- ◆ Det er ikke meningen at dette apparatet skal brukes av personer (inkludert barn) med reduserte fysiske, sansemessige eller mentale evner, eller som mangler erfaring og kunnskap, med mindre de har fått

oppfølging eller instruksjon når det gjelder bruken av apparatet, fra en person som er ansvarlig for deres sikkerhet.

- ◆ Barn skal være under tilsyn så du er sikker på at de ikke leker med apparatet.

Elektrisk sikkerhet

Laderen er konstruert for en bestemt spenning. Kontroller alltid at nettspenningen er i overensstemmelse med spenningen på typeskiltet. Prøv aldri å skifte ut laderen med en vanlig nettplugg.

Symboler på laderen



Denne laderen er dobbeltisolert. Jording er derfor ikke nødvendig.



Les hele denne bruksanvisningen grundig.



Feilsikker skilletransformator. Nettstrømtilførselen er elektrisk skilt fra transformatorutgangen.



Ladeenheten er bare tiltenkt for bruk innendørs.

Funksjoner

1. Forlengelsesstykke for støvoppsamler
2. Støvoppsamler
3. Utløserknapp
4. Strømbryter
5. Ladningsindikator
6. Filterrengjøringsknapp
7. Ladeenhet

Figur A

8. Smalt sugestykke
9. Børsteverktøy

Montering

Montering av ladeenheten på veggen.

Ladeenheten kan plasseres på en benkeplate eller festes til veggen for å fungere som praktisk oppbevarings- og ladningssted for apparatet.

Ved montering på vegg må du sørge for at festemetoden passer til veggtypen og at festet kan bære vekten av apparatet.

Montering

Sette på tilbehør (figur A og B)

Denne modellen er utstyrt med følgende tilbehør:

- ◆ Et smalt sugestykke (8) for vanskelig tilgjengelige steder.
- ◆ En børste (9) for møbler og trapper.

Når du skal sette på et tilbehør, gjør du følgende:

- ◆ Ta frem tilbehøret fra oppbevaringsplassen på apparatet eller ladeenheten (7) (figur L og M).
- ◆ Sett på det aktuelle tilbehøret fremst på apparatet.

Andre risikoer

Ved bruk av verktøyet kan det oppstå ytterligere risikoer som kanskje ikke er inkludert i sikkerhetsadvarslene som følger med. Disse risikoene kan bli forårsaket av feil bruk, langvarig bruk osv.

Selv om de relevante sikkerhetsbestemmelsene blir fulgt, og sikkerhetstiltakene blir gjennomført, kan visse gjenværende risikoer ikke unngås. Disse omfatter:

- ◆ Personskader som forårsakes av berøring av en roterende/bevegelig del.
- ◆ Personskader som forårsakes av at en del, et blad eller tilbehør endres.
- ◆ Personskader som forårsakes av langvarig bruk av et verktøy. Når du bruker et verktøy i lange perioder, må du sørge for å ta regelmessige pauser.
- ◆ Svekket hørsel.
- ◆ Helsefarer som forårsakes av innånding av støv som dannes når du bruker verktøyet (eksempel: arbeid med tre, spesielt eik, bøk og MDF).

Bruk

- ◆ Batteriet må være fulladet før første gangs bruk.

- ◆ Sett apparatet i ladeenheten når det ikke er i bruk.

Ladning av batteriet (figur C)

Før du lader batteriet:

- ◆ Pass på at støvoppsamlerforlengelsen (1) blir skjøvet tilbake inn i støvoppsamleren (2).
- ◆ Forsikre deg om at apparatet er slått av. Batteriet vil ikke bli ladet hvis på/av-bryteren (4) er i på-stillingen.
- ◆ Sett apparatet i ladeenheten (7) som vist.
- ◆ Sett laderen i stikkontakten. Slå på strømmen.

Under ladningen kan laderen bli varm. Dette er normalt og betyr ikke at noe er feil. Apparatet kan være tilkoblet laderen uten tidsbegrensning.

Laderen på denne enheten er utformet for å spare energi, men også for raskere ladning. Når enheten er i modus for rask ladning, vil ladningsindikatoren (5) lyse det meste av tiden med korte perioder der den ikke lyser. Når laderen registrerer at full ladning er nådd, vil laderen bytte modus, og indikatoren vil være av det meste av tiden med korte pulser med lys, som viser at laderen opprettholder batteriladningen og holder produktet klart til bruk. Det tar ca. 5 timer å lade et helt utladet batteri.

Justere støvoppsamleren (figur D)

- ◆ Forleng støvoppsamleren (2) ved å trekke ut forlengelsesstykket (1) til det låses i posisjon.
- ◆ Du tilbakestillter forlengelsen av støvoppsamleren (1) ved å trykke på området (12) som er merket med en pil og trykke forlengelsen for støvoppsamleren (1) tilbake inn i støvoppsamleren (2).

Start og stopp (figur E)

- ◆ Når du skal slå apparatet på, skyver du på/av-bryteren (4) fremover.
- ◆ Når du skal slå apparatet av, skyver du på/av-bryteren (4) tilbake.

Oppnå best mulig sugekraft (figur F)

For å opprettholde best mulig sugekraft, må filtrene renses jevnlig under bruk.

- ◆ Skyv filterrengjøringsknappen (6) opp og ned noen få ganger for å riste ut støv som tetter filtrene (10 og 11).

Rengjøring og vedlikehold

Advarsel! Rengjør filtrene jevnlig (10 og 11).

Rengjøring av støvoppsamleren og filtrene (figur G–J)

Filtrene kan brukes på nytt og bør rengjøres jevnlig.

- ◆ Trykk på utløserknappen (3), og ta av støvoppsamleren (2).
- ◆ Tøm støvoppsamleren (2) (figur H).
- ◆ Ta ut filtrene (10 og 11) ved å vri dem med klokken (figur I).
- ◆ Skill filtrene fra hverandre (10 og 11).
- ◆ Børst alt løst støv av filtrene (10 og 11).
- ◆ Vask filtrene i varmt såpevann (figur J). Støvoppsamleren (2) kan også vaskes om nødvendig.

Advarsel! Ikke senk apparatet ned i vann.

- ◆ Forsikre deg om at støvoppsamleren (2) og filtrene (10 og 11) er tørre.
- ◆ Sett filtrene (10 og 11) inn igjen i apparatet, og vri dem mot klokken til de låses på plass.
- ◆ Sett støvoppsamleren (2) tilbake på apparatet. Forsikre deg om at støvoppsamleren klikker på plass.

Advarsel! Bruk aldri apparatet uten filtrene. Optimal støvsuging kan bare oppnås med rene filtre.

Utskifting av filtrene

Filtrene bør skiftes ut hver 6.–9. måned og ellers hvis de er slitte eller skadet. Du får et reservefilter (9) hos din Black & Decker-forhandler (katalognummer VF70):

- ◆ Ta ut de gamle filtrene som beskrevet ovenfor.
- ◆ Sett inn de nye filtrene som beskrevet ovenfor.

Oppbevaring av tilbehør (figur K og L)

- ◆ Trykk tilbehøret på plass i de korresponderende sporene til du hører et klikk.

Miljø



Separat avfallshåndtering. Dette produktet må ikke kastes sammen med vanlig husholdningsavfall.

Når apparatet er utslitt, bør det kasseres på en miljøvennlig måte. Black & Decker-serviceverkstedene tar i mot gamle Black & Decker-verktøy og kasserer dem på en miljømessig forsvarlig måte.



Hvis brukte produkter og emballasje leveres atskilt, kan materialer resirkuleres og brukes på nytt. Resirkulering av brukte produkter gir redusert miljøforurensing og mindre behov for råmaterialer.

Det kan være lokale bestemmelser for egen innsamling av elektriske produkter fra husstander, på kommunale avfallsplasser eller hos forhandleren når du kjøper et nytt produkt.

Black & Decker tar i mot brukte Black & Decker-produkter for resirkulering. Du kan levere produktet til et autorisert serviceverksted.

For informasjon om nærmeste autoriserte serviceverksted, kontakt ditt lokale Black & Decker-kontor på den adressen som er angitt i bruksanvisningen. Det finnes også en liste over autoriserte Black & Decker-serviceverksteder og opplysninger om ettersalgsservice og kontakter på Internett:

www.2helpU.com.

Batteri (figur L)



Hvis du vil fjerne produktet selv, må batteriene tas ut som beskrevet nedenfor, og fjernes i henhold til lokale forskrifter.

- ◆ Du bør lade ut batteriet ved å la apparatet gå til motoren stopper.
- ◆ Trykk på utløserknappen (3), og ta av støvoppsamleren (2).
- ◆ Ta ut filtrene (10 og 11) ved å vri dem med klokken (figur I).
- ◆ Ta ut de syv skruene som holder apparatet sammen.
- ◆ Trekk dekselet halvveis bort fra sokkeldelen.
- ◆ presser du det lille dekselet fra glidestykket for filterrengjøring og tar ut skruen som fester glidestykket.
- ◆ Løft ut hele montasjen av motor, vifte og batteri.
- ◆ Ta ut batterimontasjen fra hovedmontasjen.
- ◆ Ha batteriet i passende emballasje for å sikre at ikke terminalene kan kortsluttes.
- ◆ Ta batteriet til et autorisert serviceverksted eller til nærmeste spesialavfallsstasjon.

Når batteriet først er tatt ut, kan det ikke settes inn igjen.

Bruksanvisning

Denne bruksanvisningen er laget av 100 % resirkulert materiale, og det kan resirkuleres når du ikke lenger har bruk for den.

Tekniske data

DV1205EN H3	
Spenning	V DC 12,0
Batteri	Type NiMH
Vekt	kg 1,5

Lader	
CHA01005*	
Modell	
DV1205EN	
Inngangsspenning	V AC 100-240
Utgangsspenning	V DC 8-23
Utgangsstrøm	mA 400
Omtrentlig ladetid	t 5
Vekt	kg 0,3

Lydtrykknivå i henhold til EN60704-1: <70 dB(A)

Garanti

Black & Decker er trygg på kvaliteten til sine produkter og tilbyr en enestående garanti. Denne garantierklæringen kommer i tillegg til dine lovbestemte rettigheter, og er ikke i konflikt med disse. Garantien er gyldig i EU- og EFTA-medlemsstatene.

Hvis et Black & Decker-produkt går i stykker på grunn av material- og/eller fabrikkasjonsfeil eller har mangler i forhold til spesifikasjonene, innen 24 måneder fra kjøpet, påtar Black & Decker seg å skifte ut defekte deler, reparere produkter som har vært utsatt for alminnelig slitasje, eller bytte ut slike produkter med minst mulig vanskelighet for kunden, med mindre:

- ◆ produktet har vært brukt i yrkes-/ næringsvirksomhet eller til utleie.
- ◆ produktet har vært utsatt for feilaktig bruk eller mislighold.
- ◆ produktet har blitt skadet av fremmede gjenstander eller stoffer eller ved et uhell.
- ◆ reparasjoner er forsøkt utført av andre enn autoriserte serviceverksteder eller Black & Deckers serviceteknikere.

NORSK

For å ta garantien i bruk skal produktet og kjøpekvittering leveres til forhandleren eller til et autorisert serviceverksted. For informasjon om nærmeste autoriserte serviceverksted, kontakt ditt lokale Black & Decker-kontor på den adressen som er angitt i bruksanvisningen. En oversikt over autoriserte serviceverksteder og opplysninger om ettersalgsservice og kontakter er også tilgjengelig på Internett:

www.2helpU.com

Besøk vårt webområde

www.blackanddecker.no for å registrere ditt nye Black & Decker-produkt og for å holde deg oppdatert om nye produkter og spesialtilbud. Du finner mer informasjon om Black & Decker og produktutvalget vårt på

www.blackanddecker.no.

Anvendelsesområde

Din Black & Decker Dustbuster® håndholdte støvsuger er udviklet til let tør støvsugning. Apparatet er kun beregnet til brug i husholdninger.

Design- og patentoplysninger

EU-designregistreringsnumre:

- ◆ 607643-0001
- ◆ 607668-0001
- ◆ 607650-0001

Sikkerhedsvejledning

Advarsel! Ved brug af batteridrevne apparater er det vigtigt, at grundlæggende sikkerhedsforholdsregler, herunder bl.a. nedenstående, altid følges for at mindske risikoen for brand, batterilækage, personskade og materiel skade.

- ◆ Læs hele denne vejledning omhyggeligt, før du bruger apparatet.
- ◆ Apparatets påtænkte anvendelse fremgår af vejledningen. Brugen af ekstraudstyr eller tilbehør eller udførelse af opgaver med apparatet ud over de i brugervejledningen anbefalede kan medføre risiko for personskade.
- ◆ Opbevar denne vejledning til fremtidig brug.

Brug af apparatet

- ◆ Brug ikke apparatet til at opsamle væske eller stoffer, der kan være antændelige.
- ◆ Apparatet må ikke bruges i nærheden af vand.
- ◆ Apparatet må ikke nedsænkes i vand.
- ◆ Træk aldrig i laderens ledning for at afbryde laderen fra stikkontakten. Beskyt laderens ledning imod varmepåvirkninger, olie og skarpe kanter.
- ◆ Dette apparat må ikke bruges af børn eller svagelige personer uden opsyn. Børn skal holdes under opsyn, de må ikke lege med apparatet.

Efter brug

- ◆ Træk laderen ud af stikkontakten, før laderen eller laderens basisenhed rengøres.
- ◆ Når apparatet ikke er i brug, skal det opbevares på et tørt sted.
- ◆ Apparatet bør altid opbevares utilgængeligt for børn.

Eftersyn og reparationer

- ◆ Før brug skal apparatet kontrolleres for beskadigede eller defekte dele. Se efter knækkede dele, skader på kontakter og eventuelle andre tilstande, der kan påvirke apparatets drift.
- ◆ Brug ikke apparatet, hvis nogen af dets dele er beskadigede eller defekte.
- ◆ Få beskadigede eller defekte dele repareret eller udskiftet på et autoriseret værksted.
- ◆ Kontrollér regelmæssigt laderens ledning for skader. Udskift laderen, hvis ledningen er beskadiget eller defekt.
- ◆ Forsøg aldrig at fjerne eller udskifte dele ud over dem, der er beskrevet i denne vejledning.

Yderligere sikkerhedsvejledninger - batterier og opladere

Batterier

- ◆ Forsøg aldrig at åbne uanset årsag.
- ◆ Batteriet må ikke udsættes for fugt.
- ◆ Batteriet må ikke udsættes for varme.
- ◆ Opbevar ikke batterier på steder, hvor temperaturen kan overstige 40°C.
- ◆ Oplad kun ved omgivelsestemperaturer mellem 10°C og 40°C.
- ◆ Brug kun den oplader, der fulgte med apparatet/værktøjet, til opladning. Brug af den forkerte oplader kan medføre elektrisk stød eller overophedning af batteriet.
- ◆ Følg vejledningen i afsnittet "Miljøbeskyttelse" ved bortskaffelse af batterier.

- ◆ Undgå at beskadige/deformere batteripakken ved at punktere den eller slå på den, da dette kan forårsage risiko for tilskadecomst eller brand.
- ◆ Beskadigede batterier må ikke oplades.
- ◆ Under ekstreme forhold kan der forekomme batterilækage. Hvis du bemærker væske på batterierne, skal du omhyggeligt tørre den af med en klud. Undgå kontakt med huden.
- ◆ I tilfælde af kontakt med hud eller øjne, skal du følge nedenstående anvisninger.

Advarsel! Batterivæsken kan forårsage personskade eller materielle skader. I tilfælde af kontakt med huden skylles straks med vand. Søg læge, hvis der opstår rødme, smerte eller irritation. Skyl straks med rent vand, og søg læge i tilfælde af kontakt med øjnene.

Ladere

Laderen er udviklet til en specifik spænding. Kontroller altid, at netspændingen svarer til spændingen på typeskiltet.

Advarsel! Forsøg aldrig at erstatte laderenheden med et almindeligt netstik.

- ◆ Brug kun din Black & Decker-lader til at oplade batteriet i det apparat/værktøj, som den blev leveret sammen med. Andre batterier kan eksplodere og forårsage personskade og materiel skade.
- ◆ Forsøg aldrig at oplade ikke-genopladelige batterier.
- ◆ Hvis netledningen beskadiges, skal den udskiftes af producenten eller et autoriseret Black & Decker-værksted, så farlige situationer undgås.
- ◆ Laderen må ikke udsættes for fugt.
- ◆ Laderen må ikke åbnes.
- ◆ Undersøg ikke laderen.
- ◆ Apparatet/værktøjet/batteriet skal anbringes et sted med god udluftning, når det oplades.

Andres sikkerhed

- ◆ Dette apparat må ikke bruges af personer (herunder børn) med nedsatte fysiske, sensoriske eller mentale evner eller manglende erfaring og viden, med mindre det sker under overvågning, eller de vejledes i brugen af apparatet af en person, der er ansvarlig for deres sikkerhed.
- ◆ Børn skal holdes under opsyn, så det sikres, at de ikke leger med værktøjet.

Elektricitet og sikkerhed

Laderen er udviklet til en specifik spænding. Kontrollér altid, at netspændingen svarer til spændingen på typeskiltet. Forsøg aldrig at erstatte laderenheden med et almindeligt netstik.

Symboler på laderen



Laderen er dobbelt isoleret. Derfor er en jordledning ikke nødvendig.



Læs hele betjeningsvejledningen omhyggeligt.



Fejlsikker skilletransformer. Netforsyningen er elektrisk adskilt fra transformerudgangen.



Laderens basisenhed er kun beregnet til indendørs brug.

Funktioner

1. Forlænger til mundstykke
2. Mundstykke
3. Udløserknap
4. Afbryder
5. Ladeindikator
6. Knap til rengøring af filter
7. Laderens basisenhed

Fig. A

8. Sprækkeforsats
9. Børsteforsats

Installation

Vægmontering af basisenheden

Basisenheden kan placeres på en arbejdsflade eller monteres på væggen, hvilket giver et praktisk opbevarings- og opladningssted til apparatet.

Før vægmontering skal det sikres, at fastgøringsmetoden er egnet til væggens type og tilstrækkelig til at understøtte apparatets vægt.

Montering

Montering af tilbehør (fig. A og B)

Følgende tilbehør medfølger:

- ◆ En sprækkeforsats (8) til arbejde under trange pladsforhold.
- ◆ En børsteforsats (9) til møbler og trappetrin.

Monter tilbehøret på følgende måde:

- ◆ Tag tilbehøret ud af maskinens opbevaringsrum eller basisenhed (7) (fig. L og M).
- ◆ Sæt det ønskede tilbehør i forenden af apparatet.

Restrisici

Der kan opstå yderligere restrisici under brugen af værktøjet, som ikke kan medtages i vedlagte sikkerhedsadvarsler. Disse risici kan opstå pga. forkert anvendelse, langvarig brug etc.

Selv ved overholdelse af relevante sikkerhedsforskrifter og anvendelse af sikkerhedsudstyr kan visse restrisici ikke undgås. Disse omfatter:

- ◆ Tilskadekomst forårsaget af berøring af roterende/bevægelige dele.
- ◆ Tilskadekomst forårsaget af udskiftning af dele, blade eller tilbehør.
- ◆ Tilskadekomst forårsaget af langvarig brug af et værktøj. Husk at holde pause jævnligt ved brug af et værktøj i længere tid.
- ◆ Høreskader.
- ◆ Sundhedsrisici forårsaget af indånding af støv, der genereres ved brug af værktøjet (eksempel: Arbejde med træ, især, eg, bøg og MDF).

Anvendelse

- ◆ Batteriet skal være fuldt opladet, inden apparatet bruges første gang.
- ◆ Sæt apparatet i basisenheden, når det ikke er i brug.

Opladning af batteriet (fig. C)

Inden batteriet oplades:

- ◆ Kontroller, at forlængerens til mundstykket (1) er skubbet ind i mundstykket (2).
- ◆ Kontroller, at apparatet er slukket. Batteriet oplades ikke, når afbryderen (4) er i position tændt.
- ◆ Sæt apparatet i basisenheden (7) som vist.
- ◆ Tilslut laderen. Tænd på stikkontakten.

Under opladningen kan laderen blive varm. Dette er helt normalt og er ikke ensbetydende med et teknisk problem. Apparatet kan være tilsluttet til laderen hele tiden.

Enhedens lader er udviklet til at spare energi, men også til hurtig opladning. Når enheden er indstillet til hurtigt opladning, lyser ladeindikatoren (5) det meste af tiden med korte afbrydelser. Når laderen registrerer fuld opladning, skifter den funktion, og indikatoren er slukket det meste af tiden med korte lysglimt, som tegn på at laderen vedligeholder batteriets opladning, så produktet er klar til brug. Genopladningstiden for et helt afladet batteriet er ca. 5 timer.

Justering af mundstykket (fig. D)

- ◆ Forlæng mundstykket (2) ved at trække i forlængerens til mundstykket (1), til det låser på plads.
- ◆ Skub forlængerens til mundstykket (1) ind igen ved at trykke på området (12) markeret med en pil og skubbe forlængerens til mundstykket (1) tilbage ind i mundstykket (2).

Tænd og sluk (fig. E)

- ◆ Tænd apparatet ved at skubbe afbryderen (4) fremad.
- ◆ Sluk apparatet ved at skubbe afbryderen (4) tilbage.

Optimering af sugeeffekten (fig. F)

For at sikre optimal sugeeffekt skal filtrene rengøres regelmæssigt under brug.

- ◆ Skub knappen til rengøring af filter (6) op og ned et par gange for at ryste støv, der blokerer filtrene, ud (10 og 11).

Rengøring og vedligeholdelse

Advarsel! Rengør filtrene regelmæssigt (10 og 11).

Rengøring af mundstykke og filtre (fig. G - J)

Filtrene er genanvendelige og skal rengøres regelmæssigt.

- ◆ Tryk på udløserknappen (3), og tag mundstykket (2) af.
- ◆ Tøm mundstykket (2) (fig. H).
- ◆ Fjern filtrene (10 og 11) ved at dreje dem med uret (fig. I).
- ◆ Adskil filtrene (10 og 11)
- ◆ Børst eventuelt løstsiddende støv af filtrene (10 og 11).
- ◆ Vask filtrene i varmt sæbevand (fig. J). Mundstykket (2) kan om nødvendigt også vaskes.

Advarsel! Apparatet må ikke nedsænkes i vand.

- ◆ Lad mundstykket (2) og filtrene (10 og 11) tørre.
- ◆ Sæt filtrene (10 og 11) i apparatet igen ved at dreje dem mod uret, til de låser på plads.

- ◆ Sæt mundstykket (2) på apparatet. Det skal klikke på plads.

Advarsel! Apparatet må aldrig bruges uden filtrene. Optimal støvsugning kan kun opnås med rene filtre.

Udskiftning af filtrene

Filtrene skal udskiftes hver 6. til 9. måned, og i øvrigt hvis de bliver slidte eller beskadigede. Udskiftningsfiltre (9) fås hos Black & Decker-forhandleren (kat. nr. VF70):

- ◆ Tag de gamle filtre ud af apparatet som beskrevet ovenfor.
- ◆ Monter de nye filtre som beskrevet ovenfor.

Opbevaring af tilbehøret (fig. K og L)

- ◆ Tryk tilbehøret ind i de tilhørende holdere, så det låses fast.

Miljø



Separat bortskaffelse. Dette produkt må ikke bortskaffes sammen med almindeligt husholdningsaffald.

Hvis dit Black & Decker-produkt en dag skal udskiftes, eller du ikke længere har brug for det, må det ikke smides ud sammen med det almindelige affald, men er underlagt reglerne om affaldssortering og skal afleveres på en genbrugsstation.



Ved adskilt bortskaffelse af brugte produkter og emballage bliver der mulighed for at genanvende forskellige stoffer. Genanvendelse af stoffer medvirker til at forebygge miljøforurening og mindsker behovet for råstoffer.

Lokal lovgivning kan kræve separat indsamling af elektriske husholdningsapparater på kommunale affaldsdepoter eller af den detailhandlende ved køb af et nyt produkt.

Black & Decker sørger for at indsamle og genanvende Black & Decker-produkter,

når disse ikke længere kan bruges. Hvis du vil benytte dig af denne service, skal du returnere produktet til et autoriseret værksted, der indsamler produkterne for os.

Kontakt det lokale Black & Decker-kontor på den adresse, der er angivet i denne vejledning, for at få oplysninger om det nærmeste autoriserede værksted. En liste over alle autoriserede Black & Decker-serviceværksteder samt servicevilkår og kontaktpersoner er tilgængelig på internettet på adressen: www.2helpU.com.

Batteri (fig. L)



Hvis du selv vil bortskaffe produktet, skal batteriet fjernes som beskrevet nedenfor og bortskaffes i overensstemmelse med gældende lovgivning.

- ◆ Aflad om muligt batteriet ved at bruge apparatet, indtil motoren stopper.
- ◆ Tryk på udløserknappen (3), og tag mundstykket (2) af.
- ◆ Fjern filtrene (10 og 11) ved at dreje dem med uret (fig. I).
- ◆ Fjern de syv skruer, der holder apparatets kabinet sammen.
- ◆ Træk dækselhalvdelen af placeringshalvdelen.
- ◆ Vrid det lille dæksel af skyderen til rengøring af filtrene, og fjern skruen, der holder skyderen fast.
- ◆ Løft hele motor-/ventilator-/batteridelen ud.
- ◆ Fjern batteridelen fra hoveddelen.
- ◆ Anbring batteriet i en egnet emballage, så terminalerne ikke kortsluttes.
- ◆ Aflever batteriet på et serviceværksted eller på en lokal genbrugsstation.

Når batteriet er taget ud af apparatet, kan det ikke sættes i igen.

Betjeningsvejledning

Denne vejledning er fremstillet af 100% genbrugsmateriale og kan genbruges, når du ikke længere har brug for den.

Tekniske data

DV1205EN H3	
Spænding	Vdc 12,0
Batteri	type NiMH
Vægt	kg 1,5

Lader	CHA01005*
Model	DV1205EN
Indgangsspænding	Vac 100-240
Udgangsspænding	Vdc 8-23
Udgangsstrømstyrke	mA 400
Ladetid ca.	t 5
Vægt	kg 0,3

Lydtrykniveau i henhold til
EN 60704-1: <70 dB(A)

Garanti

Black & Decker garanterer, at produktet er fri for materielle skader og/eller fabrikationsfejl ved levering til kunden. Garantien er et tillæg til forbrugerens lovsikrede rettigheder og påvirker ikke disse. Garantien gælder inden for medlemsstaterne af Den Europæiske Union og i Det Europæiske Frihandelsområde.

Hvis et Black & Decker-produkt går i stykker på grund af materiel skade og/eller fabrikationsfejl eller på anden måde ikke fungerer i overensstemmelse med specifikationen inden for 24 måneder fra købsdatoen, påtager Black & Decker sig at reparere eller ombytte produktet med mindst mulig ulempe for kunden. Garantien gælder ikke for fejl og mangler, der er sket i forbindelse med:

- ◆ Produktet har været anvendt erhvervsmæssigt eller til udlejning.
- ◆ Produktet har været anvendt forkert eller er ikke vedligeholdt.
- ◆ Produktet er beskadiget af fremmedlegemer, substanser eller pga. uheld.

- ◆ Garantien gælder ikke, hvis reparationer er udført af andre end et autoriseret Black & Decker-værksted.

For at udnytte garantien skal produktet og købskvitteringen indleveres til forhandleren eller til et autoriseret værksted. Kontakt det lokale Black & Decker-kontor på den adresse, der er angivet i denne vejledning, for at få oplysninger om det nærmeste autoriserede værksted. En liste over alle autoriserede Black & Decker-serviceværksteder samt servicevilkår er tilgængelig på internettet på adressen:

www.2helpU.com

Gå venligst ind på vores website **www.blackanddecker.dk** for at registrere dit nye produkt og for at blive holdt ajour om nye produkter og specialtilbud. Der findes yderligere oplysninger om mærket Black & Decker og vores produktsortiment på adressen **www.blackanddecker.dk**.

Käyttötarkoitus

Black & Decker Dustbuster® -rikkaimuri on tarkoitettu kevyeen kuivaimurointiin. Laitte on tarkoitettu ainoastaan kotitalouskäyttöön.

Malli- ja patenttitiedot

Mallin rekisteröintinumero (EU):

- ◆ 607643-0001
- ◆ 607668-0001
- ◆ 607650-0001

Turvallisuusohjeet

Varoitus! Käytettäessä paristokäyttöisiä laitteita on aina noudatettava perusvarotoimenpiteitä palovaaran, vuotavien paristojen, tapaturmien ja aineellisten vaurioiden välttämiseksi.

- ◆ Lue nämä ohjeet huolellisesti ennen laitteen käyttöä.
- ◆ Käyttötarkoitus kuvataan ohjeissa. Muiden kuin ohjeissa suositeltujen lisävarusteiden tai -osien käyttö sekä laitteen käyttö muuhun kuin oppaassa suositeltuun tarkoitukseen voi aiheuttaa henkilövahingon vaaran.
- ◆ Säilytä ohjeet tulevaa tarvetta varten.

Laitteen käyttö

- ◆ Älä käytä laitetta nesteiden tai syttyvien materiaalien keräämiseen.
- ◆ Älä käytä laitetta veden lähellä.
- ◆ Älä upota laitetta veteen.
- ◆ Älä koskaan irrota laturia pistorasiasta vetämällä virtajohdosta. Pidä laturin virtajohto etäällä lämmönlähteistä, öljystä ja terävistä reunoista.
- ◆ Tätä laitetta ei ole tarkoitettu nuorten tai hyvin heikkokuntoisten henkilöiden käyttöön ilman valvontaa. Muista, ettei laite ole lasten leikkikalua.

Käytön jälkeen

- ◆ Irrota laturi pistorasiasta ennen laturin puhdistamista.
- ◆ Kun laitetta ei käytetä, se on säilytettävä kuivassa paikassa.
- ◆ Pidä laite lasten ulottumattomissa.

Tarkastus ja korjaus

- ◆ Tarkista ennen laitteen käyttöä, ettei laitteessa ole vahingoittuneita tai viallisia osia. Tarkista osien ja kytkimien kunto sekä muut seikat, jotka voivat vaikuttaa laitteen toimintaan.
- ◆ Älä käytä laitetta, jos jokin osa on vahingoittunut tai viallinen.
- ◆ Korjauta tai vaihdata vaurioituneet tai vialliset osat valtuutetussa huoltoliikkeessä.
- ◆ Tarkista säännöllisesti, ettei laturin virtajohto ole vahingoittunut. Vaihda laturi, jos virtajohto on vahingoittunut tai viallinen.
- ◆ Älä koskaan yritä korjata tai vaihtaa muita kuin ohjeissa erikseen määritellyjä osia.

Akkua ja laturia koskevat turvaohjeet

Akku

- ◆ Älä koskaan yritä avata akkua.
- ◆ Älä anna akun kastua.
- ◆ Älä altista akkua kuumuudelle.
- ◆ Älä säilytä akkua tiloissa, joissa lämpötila voi nousta yli 40°C:n.
- ◆ Lataa akku paikassa, jonka lämpötila on vähintään 10°C ja enintään 40°C.
- ◆ Käytä akun lataamiseen vain laitteen mukana toimitettua laturia. Väärän tyyppinen laturi voi aiheuttaa sähköiskun tai akun ylikuumentumisen.
- ◆ Noudata akkujen hävittämisessä kohdassa Ympäristönsuojelu esitettyjä ohjeita.
- ◆ Suojaa akkua vahingoittumiselta niin, ettei sen kotelo rikkoudu eikä siihen kohdistu iskuja, sillä muutoin voi syntyä henkilövahinkojen ja tulipalon vaara.
- ◆ Älä lataa viallisia akkuja.
- ◆ Vaativissa oloissa voi ilmetä akkuvuotoja. Jos havaitset akkujen pinnalla nestettä, pyyhi se huolellisesti pois. Vältä ihokosketusta.
- ◆ Jos nestettä joutuu silmiin tai iholle, noudata alla olevia ohjeita.

Varoitus! Akkuneste voi aiheuttaa aineellisia vahinkoja tai henkilövahinkoja. Jos nestettä joutuu iholle, se on välittömästi huuhdeltava pois vedellä. Jos ihoa kirvelee tai se punottaa tai on muuten ärtynyt, kysy lisäohjeita lääkäriltä. Jos nestettä joutuu silmiin, huuhto välittömästi puhtaalla vedellä ja mene lääkäriin.

Laturit

Laturi on tarkoitettu tietylle jännitteelle. Tarkista aina, että verkkojännite vastaa arvokilvessä ilmoitettua jännitettä.

Varoitus! Älä yritä korvata laturiyksikköä tavallisella verkkopistokkeella.

- ◆ Käytä Black & Deckerin laturia vain laitteen/työkalun mukana toimitetun akun lataamiseen. Muut akut voivat räjähtää ja aiheuttaa henkilövahinkoja tai aineellisia vahinkoja.
- ◆ Älä koskaan yritä ladata akkuja, joita ei ole tarkoitettu ladattaviksi.
- ◆ Jos virtajohto vahingoittuu, sen vaihtaminen tulee turvallisuussyistä jättää valmistajan tai valtuutetun Black & Decker -huollon tehtäväksi.
- ◆ Älä altista laturia vedelle.
- ◆ Älä avaa laturia.
- ◆ Älä työnnä mitään laturin sisään.
- ◆ Lataa laite/työkalu/akku paikassa, jossa on kunnollinen ilmanvaihto.

Muiden turvallisuus

- ◆ Tätä laitetta ei ole tarkoitettu sellaisten henkilöiden käyttöön, joilla on fyysisiä tai älyllisiä rajoitteita tai aistirajoitteita, eikä laitteen toimintaan perehtymättömien henkilöiden käyttöön (lapset mukaan luettuina), paitsi valvonnan alaisina tai jos he ovat saaneet laitteen käyttöön liittyvää opastusta heidän turvallisuudestaan vastaavalta henkilöltä.
- ◆ Lapsia on valvottava ja heitä on estettävä leikkimästä laitteella.

Sähköturvallisuus

Laturi on tarkoitettu tietylle jännitteelle. Tarkista aina, että verkkojännite vastaa arvokilvessä ilmoitettua jännitettä. Älä

yritä korvata laturiyksikköä tavallisella verkkopistokkeella.

Laturin symbolit



Laturi on kaksoiseristetty, joten erillistä maadoitusta ei tarvita.



Lue tämä käyttöohje huolellisesti.



F

Toimintavarma eristävä muuntaja. Muuntajalähtö on eristetty sähköisesti sähköverkosta.



Laturi on tarkoitettu ainoastaan sisäkäyttöön.

Yleiskuvaus

1. Pölynkerääjän jatkokappale
2. Pölynkerääjä
3. Vapautuspainike
4. Virtakytkin
5. Lataustilan ilmaisin
6. Suodattimen puhdistusvipu
7. Laturi

Kuva A

8. Rakosuulake
9. Harjasuulake

Asennus

Lataustelineen kiinnittäminen seinään

Laturi voidaan asettaa työtasolle tai kiinnittää seinään, ja se on kätevä laitteen säilytys- ja latauspaikka.

Varmista seinäkiinnityksessä, että kiinnitystapa on seinätyyppiin ja laitteen painoon nähden sopiva.

Kokoaminen

Lisälaitteiden kiinnittäminen (kuvat A ja B)

Laitteeseen kuuluvat seuraavat lisävarusteet:

- ◆ Rakosuulake (8), tarkoitettu ahtaiden tilojen imurointiin.

- ◆ Harjasuulake (9) sopii huonekalujen ja portaiden imurointiin.

Kiinnitä lisävaruste seuraavasti:

- ◆ Irrota lisälaite säilytyspaikastaan joko itse laitteesta tai lataustelineestä (7) (kuvat. L ja M).
- ◆ Kiinnitä haluamasi lisävaruste laitteen nokkaan.

Jäännösriskit

Jäännösriskit ovat mahdollisia, jos käytät työkalua muulla kuin turvavaroituksissa mainitulla tavalla. Nämä riskit voivat liittyä muun muassa virheelliseen tai pitkäaikaiseen käyttöön.

Tiettyjä jäännösriskejä ei voi välttää, vaikka noudatat kaikkia turvamääräyksiä ja käytät turvalaitteita. Näihin kuuluvat muun muassa

- ◆ pyörievien tai liikkuvien osien koskettamisen aiheuttamat vahingot
- ◆ osia, teriä tai lisävarusteita vaihdettaessa aiheutuneet vahingot
- ◆ työkalun pitkäaikaisen käytön aiheuttamat vahingot Kun käytät työkalua pitkään, varmista, että pidät säännöllisesti taukoja.
- ◆ kuulovauriot
- ◆ työkalua käytettäessä (esimerkiksi puuta, erityisesti tammea, pyökkiä ja MDF-levyjä, käsiteltäessä) syntyneen pölyn sisäänhengityksen aiheuttamat terveysriskit.

Käyttö

- ◆ Akun on oltava täyteen ladattu ennen ensimmäistä käyttökertaa.
- ◆ Aseta laite laturiin aina, kun et käytä laitetta.

Akun lataaminen (kuva C)

Ennen kuin lataat akun:

- ◆ Tarkista, että pölynkeräimen jatkokappale (1) on työnnetty pölynkeräimen (2) sisään.
- ◆ Varmista, että laitteen virta on katkaistu. Akku ei lataudu, jos laitteen virta on kytkettynä virtakytkimestä (4).
- ◆ Aseta laite laturiin (7) kuvan osoittamalla tavalla.

- ◆ Kytke laturi pistorasiaan. Kytke virta. Laturi saattaa lämmetä latautuessaan. Tämä on normaalia eikä ole merkki ongelmasta. Laite voidaan jättää kiinni laturiin määräämättömäksi ajaksi.

Laitteen laturi on suunniteltu energiaa säästäväksi mutta samalla nopeaksi. Kun laite on nopean latauksen tilassa, latauksen merkkivalo (5) palaa lähes koko ajan, mutta se saattaa sammua välillä hetkeksi. Kun laturi on ladannut akun täyteen, sen tila muuttuu ja merkkivalo sammuu. Merkkivalo syttyy kuitenkin edelleen lyhyin sykäyksin, jotka osoittavat, että laturi ylläpitää akun varausta ja pitää laitteen käyttövalmiina. Täysin tyhjä akku latautuu täyteen noin viidessä tunnissa.

Pölynkerääjän säätäminen (kuva D)

- ◆ Pidennä pölynkerääjää (2) vetämällä jatkokappaletta (1), kunnes se lukittuu paikoilleen.
- ◆ Pölynkerääjän jatkokappale (1) palautetaan takaisin paikalleen painamalla nuolella merkittyä aluetta (12) ja työntämällä jatkokappale (1) pölynkerääjän (2) sisään.

Kytkentä käyttöön ja pois käytöstä (kuva E)

- ◆ Virta kytketään imuriin työntämällä virtakytkintä (4) eteenpäin.
- ◆ Virta katkaistaan työntämällä virtakytkintä (4) taaksepäin.

Imutehon optimointi (kuva F)

Jotta imuteho pysyisi mahdollisimman hyvänä, suodattimet on puhdistettava säännöllisesti käytön aikana.

- ◆ Ravista suodattimiin (11 ja 12) kertynyt lika työntämällä muutaman kerran puhdistusvipua (6) ylös ja alas.

Puhdistus ja hoito

Varoitus! Puhdista suodattimet (10 ja 11) säännöllisesti.

Pölynkerääjän ja suodattimien puhdistaminen (kuvat G - J)

Suodattimet ovat uudelleen käytettäviä, ja ne on puhdistettava säännöllisesti.

- ◆ Paina vapautuspainiketta (3) ja irrota pölynkerääjä (2).
- ◆ Tyhjennä pölynkerääjä (2) (kuva H).
- ◆ Irrota suodattimet (10 ja 11) kiertämällä niitä myötäpäivään (kuva I).
- ◆ Irrota suodattimet (10 ja 11) toisistaan.
- ◆ Harjaa irtopöly suodattimista (10 ja 11).
- ◆ Pese suodattimet lämpimässä pesuainevedessä (kuva J). Myös pölynkerääjän (2) voi tarvittaessa pestä.

Varoitus! Älä upota laitetta veteen.

- ◆ Varmista, että pölynkerääjä (2) ja suodattimet (10 ja 11) ovat kuivia.
- ◆ Kiinnitä suodattimet (10 ja 11) takaisin laitteeseen kiertämällä niitä vastapäivään, kunnes ne lukittuvat paikalleen.
- ◆ Kiinnitä pölynkerääjä (2) takaisin imuriin. Varmista, että pölynkerääjä napsahtaa paikalleen.

Varoitus! Älä koskaan käytä laitetta ilman suodattimia. Parhaan puhdistustuloksen saa vain, kun suodattimet ovat puhtaat.

Suodattimien vaihtaminen

Suodattimet on hyvä vaihtaa 6–9 kuukauden välein ja aina, kun ne ovat kuluneet tai vahingoittuneet. Uusia suodattimia (9) voi ostaa Black & Decker -tuotteiden jälleenmyyjiltä (tuotenro VF70):

- ◆ Poista vanhat suodattimet yllä kuvatulla tavalla.
- ◆ Aseta uudet suodattimet paikalleen yllä kuvatulla tavalla.

Lisälaitteiden säilyttäminen (kuvat K ja L)

- ◆ Paina lisävarustetta pidikettään vasten, kunnes lisävaruste napsahtaa paikalleen.

Ympäristö



Erillinen keräys. Tätä tuotetta ei saa hävittää normaalin kotitalousjätteen mukana.

Kun laitteesi aikanaan täytyy vaihtaa tai ei kelpaa enää käyttöön, ota huomioon ympäristötekijät. Black & Deckerin valtuutetut huoltoliikkeet ottavat vastaan Black & Decker -työkaluja ja varmistavat, että ne hävitetään ympäristöystävällisesti.



Käytettyjen tuotteiden ja pakkausmateriaalien erilliskeruun avulla materiaalit voidaan kierrättää ja käyttää uudelleen.

Kierrätysmateriaalien käyttö auttaa vähentämään ympäristön saastumista ja uusien raaka-aineiden tarvetta.

Paikallisissa säädöksissä voidaan määrätä, että kodin sähkötuotteiden keruu tapahtuu kaupunkien jätteidenkäsittelyasemilla tai laitteita myyvissä liikkeissä uuden tuotteen oston yhteydessä.

Kun laitteesi on käytetty loppuun, älä heitä sitä tavallisten roskien mukana pois, vaan vie se paikkakuntasi kierrätyskeskukseen tai jätä valtuutettuun Black & Deckerin huoltoliikkeeseen.

Tiedot valtuutetuista huoltoliikkeistä saa ottamalla yhteyttä Black & Decker Oy:hyn sekä Internetistä osoitteesta www.2helpU.com.

Akku (kuva L)

Jos haluat hävittää laitteen itse, akku on ensin poistettava alla kuvatulla tavalla ja hävitettävä jätehuoltomääräyksiä noudattaen.

- ◆ On suositeltavaa tyhjentää akku käyttämällä imuria, kunnes sen moottori pysähtyy.
- ◆ Paina vapautuspainiketta (3) ja irrota pölynkerääjä (2).
- ◆ Irrota suodattimet (10 ja 11) kiertämällä niitä myötäpäivään (kuva I).
- ◆ Avaa laitteen runkoa koossa pitävät seitsemän ruuvia.
- ◆ Vedä kansi irti pohjaosasta.
- ◆ väännä suodattimien puhdistusvivun pieni kansi auki ja irrota vivun kiinnitysruuvi.
- ◆ nosta moottorista, puhaltimesta ja akusta koostuva elementti ylös.
- ◆ Irrota akkupaketti tuosta elementistä.
- ◆ Sijoita akku sopivaan pakkaukseen siten, etteivät navat pääse keskenään oikosulkuun.
- ◆ Toimita akku paikalliseen huoltoliikkeeseen tai kierrätyspisteeseen.

Kun akku on irrotettu, sitä ei voi asettaa enää paikalleen.

Käyttöohjeet

Käyttöohjeet on tehty sataprosenttisesta kierrätysmateriaalista. Ne voi kierrättää, kun niitä ei enää tarvita.

Tekniset tiedot

DV1205EN H3	
Jännite	V DC 12,0
Akku	Tyyppi NiMH
Paino	kg 1,5

Laturi	CHA01005*
Mallissa	DV1205EN
Syöttöjännite	V AC 100-240
Lähtöjännite	V DC 8-23
Latausvirta	mA 400
Arvioitu latausaika	h 5
Paino	kg 0,3

Äänenpainetaso mitattuna EN60704-1 mukaan mitattuna: <70 dB(A)

Takuu

Black & Decker Oy takaa, ettei tuotteessa ollut materiaali- ja/tai valmistusvikaa silloin, kun se toimitettiin ostajalle. Takuu on lisäyksen kuluttajan laillisiin oikeuksiin eikä vaikuta niihin. Takuu on voimassa Euroopan unionin jäsenmaissa ja Euroopan vapaakauppa-alueella (EFTA). Mikäli Black & Decker -tuote hajoaa materiaali- ja/tai valmistusvirheen tai teknisten tietojen epätarkkuuden vuoksi 24 kk:n kuluessa ostopäivästä, Black & Decker korjaa laitteen ilman kustannuksia ostajalle tai vaihtaa sen uuteen Black & Decker Oy:n valinnan mukaan. Takuu ei kata vikoja, jotka johtuvat laitteen

- ◆ normaalista kulumisesta
- ◆ ylikuormituksesta, virheellisestä käytöstä tai hoidosta
- ◆ vahingoittamisesta vieraalla esineellä tai aineella tai onnettomuustapauksessa.
- ◆ Takuu ei ole voimassa, mikäli laitetta on korjannut joku muu kuin Black & Deckerin valtuuttama huoltoliike.

Edellytyksenä takuun saamiselle on, että ostaja jättää koneen ja ostokuitin jälleenmyyjälle tai valtuutetulle huoltoliikkeelle viimeistään 2 kuukauden kuluessa vian ilmenemisestä. Tiedot valtuutetuista huoltoliikkeistä saa ottamalla yhteyttä Black & Decker Oy:hyn sekä Internetistä osoitteesta

www.2helpU.com, jossa on myös takuehdot.

Käy verkkosivuillamme osoitteessa **www.blackanddecker.fi** ja rekisteröi uusi Black & Decker -tuotteesi. Sivuilta saat myös tietoa uusista tuotteista ja erikoistarjouksista. Lisätietoja Black & Decker -tuotemerkestä ja tuotevalikoimastamme on osoitteessa **www.blackanddecker.fi**.

Ενδεδειγμένη χρήση

Το ηλεκτρικό σκουπάκι Black & Decker Dustbuster® Plus έχει σχεδιαστεί για ελαφρύ ηλεκτρικό σκούπισμα στεγνών επιφανειών. Αυτή η συσκευή προορίζεται μόνο για οικιακή χρήση.

Πληροφορίες σχετικά με τη Σχεδίαση και το Δίπλωμα Ευρεσιτεχνίας

Αριθμοί κατάθεσης σχεδίων EC:

- ◆ 607643-0001
- ◆ 607668-0001
- ◆ 607650-0001

Οδηγίες ασφαλείας

Προειδοποίηση! Κατά τη χρήση συσκευών που τροφοδοτούνται με μπαταρίες, θα πρέπει να λαμβάνονται οι βασικές προφυλάξεις ασφαλείας, συμπεριλαμβανομένων των παρακάτω, για τον περιορισμό του κινδύνου πυρκαγιάς, διαρροής των μπαταριών, τραυματισμού προσώπων και υλικών ζημιών.

- ◆ Πριν χρησιμοποιήσετε τη συσκευή διαβάστε προσεκτικά ολόκληρο το εγχειρίδιο.
- ◆ Η ενδεδειγμένη χρήση περιγράφεται σε αυτό το εγχειρίδιο. Τόσο η χρήση εξαρτημάτων ή προσθηκών όσο και η πραγματοποίηση εργασιών με τη συσκευή που δεν συνιστώνται σε αυτό το εγχειρίδιο οδηγούν εγκυμονεί κίνδυνο τραυματισμού.
- ◆ Φυλάξτε αυτό το εγχειρίδιο για μελλοντική αναφορά.

Χρησιμοποίηση της συσκευής

- ◆ Μη χρησιμοποιείτε τη συσκευή για να περισυλλέξετε υγρά ή άλλα υλικά που θα μπορούσαν να πιάσουν φωτιά.
- ◆ Μη χρησιμοποιείτε τη συσκευή κοντά σε νερό.
- ◆ Μη βουτάτε τη συσκευή μέσα σε νερό.
- ◆ Ποτέ μην αποσυνδέετε το φορτιστή από την πρίζα τραβώντας τον από καλώδιο του. Διατηρείτε το καλώδιο φορτιστή σε απόσταση από πηγές θερμότητας, λάδια και κοφτερές αιχμές.

- ◆ Αυτή η συσκευή δεν πρέπει να χρησιμοποιηθεί από νέους ή αδύναμα άτομα χωρίς επιτήρηση. Τα παιδιά πρέπει να επιτηρούνται για να είστε σίγουροι ότι δεν παίζουν με τη συσκευή.

Μετά τη χρήση

- ◆ Πριν καθαρίσετε τον φορτιστή ή την βάση φόρτισης αποσυνδέστε τον από την πρίζα.
- ◆ Όταν δεν χρησιμοποιείται, η συσκευή πρέπει να φυλάσσεται σε στεγνό μέρος.
- ◆ Τα παιδιά δεν πρέπει να έχουν πρόσβαση σε αποθηκευμένες συσκευές.

Επιθεώρηση και επισκευές

- ◆ Πριν από τη χρήση, ελέγξτε τη συσκευή σας για τυχόν κατεστραμμένα ή ελαττωματικά τμήματα. Ελέγξτε αν υπάρχουν σπασμένα εξαρτήματα, ζημιά στους διακόπτες και οποιοσδήποτε άλλες συνθήκες που θα μπορούσαν να επηρεάσουν τη λειτουργία της.
- ◆ Μη χρησιμοποιείτε τη συσκευή, αν κάποιο εξάρτημά της παρουσιάζει ελάττωμα.
- ◆ Φροντίστε να γίνει η επισκευή ή η αντικατάσταση των τυχόν ελαττωματικών εξαρτημάτων από εξουσιοδοτημένο κέντρο επισκευών.
- ◆ Να ελέγχετε τακτικά την κατάσταση του καλωδίου του φορτιστή. Σε περίπτωση που το καλώδιο του φορτιστή παρουσιάζει ζημιά ή ελάττωμα, αντικαταστήστε τον φορτιστή.
- ◆ Ποτέ μην επιχειρείτε να αφαιρέσετε ή να αντικαταστήσετε εξαρτήματα, άλλα από αυτά που προσδιορίζονται σε αυτό το εγχειρίδιο.

Συμπληρωματικές οδηγίες ασφαλείας - μπαταρίες και φορτιστές

Μπαταρίες

- ◆ Μην επιχειρήσετε ποτέ να ανοίξετε τις μπαταρίες για οποιοδήποτε λόγο.

- ◆ Μην εκθέτετε την μπαταρία σε νερό.
- ◆ Μην εκθέτετε την μπαταρία σε θερμότητα.
- ◆ Μη φυλάσσετε τις μπαταρίες σε μέρη όπου η θερμοκρασία μπορεί να υπερβεί τους 40°C.
- ◆ Η φόρτιση πρέπει να γίνεται μόνο σε θερμοκρασίες περιβάλλοντος μεταξύ 10°C και 40°C.
- ◆ Η φόρτιση πρέπει να γίνεται μόνο με το φορτιστή που παρέχεται μαζί με τη συσκευή/εργαλείο. Η χρήση άλλου φορτιστή μπορεί να προκαλέσει ηλεκτροπληξία ή υπερθέρμανση της μπαταρίας.
- ◆ Όταν απορρίπτετε τις μπαταρίες, ακολουθήστε τις οδηγίες που δίνονται στην ενότητα "Προστασία του περιβάλλοντος".
- ◆ Μην καταστρέψετε/παραμορφώνετε την μπαταρία είτε τρυπώντας ή χτυπώντας την, διότι μπορεί να προκληθεί κίνδυνος τραυματισμού ή πυρκαγιάς.
- ◆ Μη φορτίζετε τις κατεστραμμένες μπαταρίες.
- ◆ Κάτω από ακραίες συνθήκες, μπορεί να επέλθει διαρροή υγρών μπαταρίας. Αν παρατηρήσετε υγρό πάνω στις μπαταρίες, σκουπίστε το προσεκτικά με ένα πανί. Αποφύγετε την επαφή με το δέρμα.
- ◆ Στην περίπτωση επαφής με το δέρμα ή τα μάτια, ακολουθήστε τις παρακάτω οδηγίες.

Προειδοποίηση! Το υγρό της μπαταρίας μπορεί να προκαλέσει τραυματισμό ή υλικές ζημιές. Στην περίπτωση επαφής με το δέρμα, ξεπλύνετε αμέσως με άφθονο νερό. Αν παρουσιαστεί κοκκίνισμα του δέρματος, πόνος ή ερεθισμός, ζητήστε ιατρική βοήθεια. Στην περίπτωση επαφής με τα μάτια, ξεπλύνετε αμέσως με άφθονο καθαρό νερό και ζητήστε ιατρική βοήθεια.

Φορτιστές

Ο φορτιστής σας είναι σχεδιασμένος για μια συγκεκριμένη ηλεκτρική τάση. Ελέγχετε πάντα αν η τάση τροφοδοσίας αντιστοιχεί σε αυτήν που αναγράφεται στην πινακίδα χαρακτηριστικών.

Προειδοποίηση! Ποτέ μην επιχειρείτε να αντικαταστήσετε τη μονάδα φορτιστή με έναν κανονικό ρευματολήπτη.

- ◆ Ο φορτιστής Black & Decker πρέπει να χρησιμοποιείται αποκλειστικά και μόνο για τη φόρτιση της μπαταρίας της συσκευής/του εργαλείου που συνοδεύει. Αν χρησιμοποιηθεί για άλλες μπαταρίες, αυτές μπορεί να εκραγούν, προκαλώντας τραυματισμό και ζημιές.
- ◆ Μην επιχειρείτε ποτέ να φορτίσετε μη επαναφορτιζόμενες μπαταρίες.
- ◆ Αν το καλώδιο ρεύματος έχει υποστεί φθορά, η αντικατάστασή του πρέπει να γίνει από τον κατασκευαστή ή από ένα εξουσιοδοτημένο κέντρο της Black & Decker, ώστε να μην αποτελέσει κίνδυνο.
- ◆ Μην εκθέτετε το φορτιστή σε νερό.
- ◆ Μην ανοίγετε το φορτιστή.
- ◆ Μην επεμβαίνετε στο φορτιστή.
- ◆ Κατά τη φόρτιση, η συσκευή/εργαλείο/μπαταρία πρέπει να βρίσκεται σε καλά αεριζόμενο χώρο.

Ασφάλεια τρίτων

- ◆ Αυτή η συσκευή δεν προορίζεται για χρήση από άτομα (στα οποία περιλαμβάνονται και τα παιδιά) με μειωμένες φυσικές, αντιληπτικές ή διανοητικές ικανότητες ή άτομα χωρίς εμπειρία και γνώσεις, παρά μόνο εφόσον επιτηρούνται ή τους έχουν δοθεί οδηγίες σχετικά με τη χρήση της συσκευής από άτομο υπεύθυνο για την ασφάλειά τους.
- ◆ Τα παιδιά πρέπει να επιτηρούνται για να διασφαλίζεται ότι δεν παίζουν με τη συσκευή.

Ασφαλής χρήση του ηλεκτρικού ρεύματος

Ο φορτιστής σας είναι σχεδιασμένος για μια συγκεκριμένη ηλεκτρική τάση.

Ελέγχετε πάντα αν η τάση τροφοδοσίας αντιστοιχεί σε αυτήν που αναγράφεται στην πινακίδα χαρακτηριστικών. Ποτέ μην επιχειρείτε να αντικαταστήσετε τη μονάδα φορτιστή με έναν κανονικό ρευματολήπτη.

Σύμβολα επάνω στο φορτιστή



Ο φορτιστής σας φέρει διπλή μόνωση, επομένως δεν απαιτείται σύρμα γείωσης.



Διαβάστε προσεκτικά ολόκληρο το εγχειρίδιο οδηγιών.



F Μονωτικός μετασχηματιστής εξασφαλισμένης λειτουργίας. Η τροφοδοσία δικτύου είναι ηλεκτρικά διαχωρισμένη από την έξοδο του μετασχηματιστή.



Η βάση φόρτισης προορίζεται για χρήση σε εσωτερικούς χώρους μόνο.

Χαρακτηριστικά

1. Προέκταση συλλέκτη σκόνης
2. Συλλέκτης σκόνης
3. Πλήκτρο απελευθέρωσης
4. Διακόπτης on/off
5. Ενδεικτική λυχνία φόρτισης
6. Πλήκτρο καθαρισμού φίλτρου (DV1205 & DV9605)
7. Βάση φόρτισης

Εικ. Α

8. Εξάρτημα για χαραμάδες
9. Εξάρτημα βούρτσας

Εγκατάσταση

Τοποθέτηση της βάσης φόρτισης στον τοίχο

Η βάση φόρτισης μπορεί να τοποθετηθεί πάνω σε μια επιφάνεια εργασίας ή να εγκατασταθεί πάνω στον τοίχο για εύκολη φύλαξη και φόρτιση της συσκευής.

Όταν τη στερεώνετε στον τοίχο, να βεβαιώνεστε ότι η μέθοδος στερέωσης είναι κατάλληλη για τον τύπο τοίχου και το βάρος της συσκευής.

Συναρμολόγηση

Τοποθέτηση των εξαρτημάτων (εικ. Α & Β)

Αυτό το μοντέλο παρέχεται με τα παρακάτω εξαρτήματα:

- ◆ Ένα εξάρτημα για χαραμάδες (8) για περιορισμένους χώρους.
- ◆ Ένα εξάρτημα βούρτσας (9) για έπιπλα και σκάλες.

Για να τοποθετήσετε ένα εξάρτημα, προχωρήστε όπως ακολουθεί:

- ◆ Αφαιρέστε το εξάρτημα από τη θέση αποθήκευσής του στη συσκευή ή στη βάση φόρτισης (7) (εικ. L & M).
- ◆ Εισάγετε το κατάλληλο εξάρτημα στο μπροστινό μέρος της συσκευής.

Αναπόφευκτοι κίνδυνοι

Μπορεί να προκληθούν επιπρόσθετοι αναπόφευκτοι κίνδυνοι όταν χρησιμοποιείτε το εργαλείο οι οποίοι μπορεί να μη συμπεριλαμβάνονται στις προειδοποιήσεις ασφαλείας που εσωκλείονται. Αυτοί οι κίνδυνοι μπορεί να προκληθούν από κακή χρήση, παρατεταμένη χρήση κτλ.

Ακόμα και με την τήρηση των σχετικών κανονισμών ασφαλείας και τη χρήση μέσων προστασίας, ορισμένοι κίνδυνοι δεν είναι δυνατό να εξαιρεθούν. Αυτοί περιλαμβάνουν:

- ◆ Τραυματισμούς από το άγγιγμα των περιστρεφόμενων/κινούμενων μερών.
- ◆ Τραυματισμούς από αλλαγή οποιωνδήποτε εξαρτημάτων, λεπίδων ή αξεσουάρ.
- ◆ Τραυματισμούς από παρατεταμένη χρήση του εργαλείου. Όταν χρησιμοποιείτε οποιοδήποτε εργαλείο για παρατεταμένες χρονικές περιόδους βεβαιωθείτε ότι κάνετε τακτικά διαλείμματα.
- ◆ Προβλήματα ακοής.
- ◆ Κίνδυνοι στην υγεία που προκαλούνται από την εισπνοή σκόνης όταν χρησιμοποιείτε το εργαλείο (παραδείγματα:- όταν επεξεργάζεστε ξύλο, ειδικά δρυς, οξιά και MDF).

Χρήση

- ♦ Πριν από την πρώτη χρήση, η μπαταρία πρέπει να φορτιστεί πλήρως.
- ♦ Όταν η συσκευή δεν χρησιμοποιείται θα πρέπει να τοποθετείται πάνω στη βάση φόρτισης.

Φόρτιση της μπαταρίας (εικ. C)

Πριν τη φόρτιση της μπαταρίας:

- ♦ Βεβαιωθείτε ότι έχετε εισάγει σωστά την προέκταση του συλλέκτη σκόνης (1) στο συλλέκτη σκόνης (2).
- ♦ Βεβαιωθείτε ότι η συσκευή είναι απενεργοποιημένη. Η μπαταρία δε φορτίζεται όταν ο διακόπτης λειτουργίας (4) είναι στη θέση 'on'.
- ♦ Τοποθετήστε τη συσκευή πάνω στη βάση φόρτισης (7) όπως υποδεικνύεται.
- ♦ Βάλτε τον φορτιστή στην πρίζα. Ενεργοποιήστε από το δίκτυο.

Κατά τη φόρτιση, ο φορτιστής μπορεί να θερμανθεί. Αυτό είναι φυσιολογικό και δεν υποδεικνύει κάποιο πρόβλημα. Η συσκευή μπορεί να μείνει συνδεδεμένη με τον φορτιστή για αόριστο χρονικό διάστημα.

Ο φορτιστής αυτής της συσκευής έχει σχεδιαστεί για την εξοικονόμηση ενέργειας αλλά και για ταχύτερη φόρτιση. Όταν η συσκευή είναι σε λειτουργία ταχείας φόρτισης, η ενδεικτική λυχνία φόρτισης (5) ανάβει τον περισσότερο χρόνο με σύντομες περιόδους απενεργοποίησης. Όταν ο φορτιστής ανιχνεύσει πλήρη φόρτιση, αλλάζει λειτουργία και η ενδεικτική λυχνία είναι σβηστή τον περισσότερο χρόνο με σύντομους παλμούς οι οποίοι υποδηλώνουν ότι ο φορτιστής διατηρεί τη φόρτιση της μπαταρίας και το προϊόν έτοιμο για χρήση. Ο χρόνος επαναφόρτισης μιας πλήρως εκφορτισμένης μπαταρίας είναι περίπου 5 ώρες.

Προσαρμογή του συλλέκτη σκόνης (εικ. D)

- ♦ Προεκτείνετε το συλλέκτη σκόνης (2) τραβώντας την προέκταση του συλλέκτη σκόνης (1) μέχρι να ασφαλίσει.
- ♦ Τραβήξτε προς τα έξω την προέκταση του συλλέκτη σκόνης (1) πιέζοντας την περιοχή (12) που επισημαίνεται με ένα βέλος και σπρώχνοντας την προέκταση του συλλέκτη σκόνης (1) προς το εσωτερικό του συλλέκτη σκόνης (2).

Ενεργοποίηση και απενεργοποίηση (εικ. E)

- ♦ Για να ενεργοποιήσετε τη συσκευή, σπρώξτε το διακόπτη λειτουργίας (4) προς τα εμπρός.
- ♦ Για να απενεργοποιήσετε τη συσκευή, σπρώξτε το διακόπτη λειτουργίας (4) προς τα πίσω.

Βελτιστοποίηση της δύναμης αναρρόφησης (εικ. F)

Για να κρατήσετε τη βέλτιστη δύναμη αναρρόφησης, καθαρίζετε τα φίλτρα τακτικά κατά τη χρήση.

- ♦ Μετακινήστε μερικές φορές το κουμπί καθαρισμού του φίλτρου (6) προς τα επάνω και κάτω για να απομακρύνετε τη σκόνη που φράζει τα φίλτρα (10 & 11).

Καθαρισμός και συντήρηση

Προειδοποίηση! Καθαρίζετε τακτικά τα φίλτρα (10 & 11).

Καθαρισμός του συλλέκτη σκόνης και των φίλτρων (εικ. G - J)

Τα φίλτρα είναι επαναχρησιμοποιήσιμα και θα πρέπει να καθαρίζονται τακτικά.

- ♦ Πιέστε το κουμπί αποδέσμευσης (3) και αφαιρέστε το συλλέκτη σκόνης (2).
- ♦ Αδειάστε το συλλέκτη σκόνης (2) (εικ. H).
- ♦ Αφαιρέστε τα φίλτρα (10 & 11) περιστρέφοντάς τα δεξιόστροφα (εικ. I).
- ♦ Διαχωρίστε τα φίλτρα (10 & 11)

- ◆ Αφαιρέστε με τη βούρτσα την υπόλοιπη σκόνη από τα φίλτρα (10 & 11).
- ◆ Πλύνετε τα φίλτρα σε ζεστή σαπουνάδα (εικ. J). Εάν χρειάζεται, μπορεί να πλυθεί και ο συλλέκτης σκόνης (2).

Προειδοποίηση! Μην βουτάτε τη συσκευή μέσα σε νερό.

- ◆ Βεβαιωθείτε ότι έχουν στεγνώσει ο συλλέκτης σκόνης (2) και τα φίλτρα (10 & 11).
- ◆ Επανατοποθετήστε τα φίλτρα (10 & 11), περιστρέφοντάς τα δεξιόστροφα μέχρι να ασφαλισουν στη θέση τους.
- ◆ Επανατοποθετήστε στη συσκευή το συλλέκτη σκόνης (2). Βεβαιωθείτε ότι ο συλλέκτης σκόνης ασφαλίσει στη θέση του.

Προειδοποίηση! Μη χρησιμοποιείτε ποτέ τη συσκευή χωρίς τα φίλτρα. Η βέλτιστη περισυλλογή της σκόνης επιτυγχάνεται μόνο με καθαρά φίλτρα.

Αντικατάσταση των φίλτρων

Τα φίλτρα θα πρέπει να αλλάζονται κάθε 6 με 9 μήνες και όταν έχουν φθαρεί ή καταστραφεί. Ανταλλακτικά φίλτρα (9) διατίθενται από τα εμπορικά σημεία πώλησης προϊόντων Black & Decker (Αρ. καταλ. VF70):

- ◆ Αφαιρέστε τα παλιά φίλτρα όπως περιγράφεται παραπάνω.
- ◆ Τοποθετήστε τα καινούρια φίλτρα όπως περιγράφεται παραπάνω.

Αποθήκευση των εξαρτημάτων (εικ. K & L)

- ◆ Σπρώξτε τα εξαρτήματα μέσα στις αντίστοιχες υποδοχές μέχρι να ασφαλισουν.

Προστασία του περιβάλλοντος



Ξεχωριστή περισυλλογή. Αυτό το προϊόν δεν πρέπει να απορρίπτεται μαζί με τα κοινά οικιακά απορρίμματα.

Εάν κάποια μέρα διαπιστώσετε ότι το προϊόν σας Black & Decker χρειάζεται αντικατάσταση, ή ότι δεν το χρειάζεστε άλλο, μην το απορρίψετε μαζί με τα κοινά οικιακά απορρίμματα αλλά κάντε αυτό το προϊόν διαθέσιμο για ανεξάρτητη αποκομιδή.



Η ανεξάρτητη συλλογή των μεταχειρισμένων προϊόντων και των υλικών συσκευασίας δίνει τη δυνατότητα ανακύκλωσης και επαναχρησιμοποίησης των υλικών. Με την επαναχρησιμοποίηση των ανακυκλωμένων υλικών αποτρέπεται η μόλυνση του περιβάλλοντος και μειώνεται η ζήτηση πρώτων υλών.

Οι κανονισμοί που ισχύουν στην περιοχή σας ενδέχεται να προβλέπουν την επιλεκτική περισυλλογή των ηλεκτρικών συσκευών που προέρχονται από νοικοκυριά σε κρατικές εγκαταστάσεις ή από τον έμπορο όταν αγοράσετε ένα καινούργιο προϊόν.

Η Black & Decker δίνει τη δυνατότητα ανακύκλωσης των προϊόντων της που έχουν συμπληρώσει τη διάρκεια ζωής τους. Για να χρησιμοποιήσετε αυτήν την υπηρεσία, επιστρέψτε το προϊόν σας σε οποιοδήποτε εξουσιοδοτημένο κέντρο επισκευών, όπου θα το παραλάβουν εκ μέρους μας.

Ενημερωθείτε για το πλησιέστερο εξουσιοδοτημένο κέντρο επισκευών της περιοχής σας, επικοινωνώντας με τα γραφεία της Black & Decker στη διεύθυνση που αναγράφεται στο εγχειρίδιο. Επίσης, για να πληροφορηθείτε για τα εξουσιοδοτημένα κέντρα επισκευών της Black & Decker και

τους αρμόδιους των υπηρεσιών που παρέχονται μετά την πώληση, μπορείτε να ανατρέξετε στο Διαδίκτυο, στη διεύθυνση: www.2helpU.com.

Μπαταρία (εικ. L)



Εάν θέλετε να απορρίψετε μόνοι σας την μπαταρία, η μπαταρία θα πρέπει να αφαιρεθεί όπως περιγράφεται παρακάτω και να απορριφθεί σύμφωνα με τους κανονισμούς που ισχύουν στην περιοχή σας.

- Να αποφορτίζετε κατά προτίμηση την μπαταρία λειτουργώντας τη συσκευή μέχρι να σταματήσει το μοτέρ.
- Πιέστε το κουμπί αποδέσμευσης (3) και αφαιρέστε το συλλέκτη σκόνης (2).
- Αφαιρέστε τα φίλτρα (10 & 11) περιστρέφοντάς τα δεξιόστροφα (εικ. I).
- Αφαιρέστε τις επτά βίδες που συγκρατούν το σώμα της συσκευής.
- Τραβήξτε το κάλυμμα κατά το ήμισυ από τη θέση του.
- αποσπάστε το μικρό κάλυμμα από το συρόμενο κουμπί καθαρισμού του φίλτρου και αφαιρέστε τη βίδα στήριξης του.
- ανασηκώστε ολόκληρη τη συναρμογή μοτέρ/ανεμιστήρα/ μπαταρίας
- Αποσυνδέστε τη συναρμογή της μπαταρίας από την κύρια συναρμογή.
- Τοποθετήστε την μπαταρία σε κατάλληλη συσκευασία, ώστε να είναι αδύνατο το βραχυκύκλωμα των πόλων.
- Παραδώστε την μπαταρία στον αντιπρόσωπο επισκευών σας ή σε ένα σταθμό ανακύκλωσης της περιοχής σας.

Αφού αφαιρεθεί, η μπαταρία δεν μπορεί να επαναποθετηθεί.

Εγχειρίδιο οδηγιών

Το παρόν εγχειρίδιο οδηγιών είναι κατασκευασμένο από 100% ανακυκλωμένο υλικό και μπορεί να ανακυκλώνεται όταν δεν σας χρειάζεται πια.

Τεχνικά χαρακτηριστικά

DV1205EN H3	
Τάση	Vdc 12.0
Μπαταρία	Τύπος NiMH
Βάρος	kg 1.5

Φορτιστής	CHA01005*
Μοντέλα	DV1205EN
Τάση εισόδου	Vac 100-240
Τάση εξόδου	Vdc 8-23
Ρεύμα εξόδου	mA 400
Χρόνος φόρτισης κατά προσέγγιση	h 5
Βάρος	kg 0,3

Στάθμη ηχητικής πίεσης, μετρημένης σύμφωνα με το πρότυπο EN60704-1: <70 dB(A)

Εγγύηση

Η Black & Decker είναι σίγουρη για την ποιότητα των προϊόντων της και παρέχει σημαντική εγγύηση. Η παρούσα γραπτή εγγύηση αποτελεί πρόσθετο δικαίωμά σας και δεν ζημιώνει τα νόμιμα δικαιώματά σας. Η εγγύηση ισχύει εντός της επικράτειας των Κρατών Μελών της Ευρωπαϊκής Ένωσης και της Ευρωπαϊκής Ζώνης Ελευθέρων Συναλλαγών.

Σε περίπτωση που κάποιο προϊόν της Black & Decker παρουσιάσει βλάβη εξαιτίας ελαττωματικών υλικών, ποιότητας εργασίας ή έλλειψης συμφωνίας με τις προδιαγραφές εντός 24 μηνών από την ημερομηνία αγοράς, η Black & Decker εγγυάται την αντικατάσταση των ελαττωματικών τμημάτων, την επισκευή προϊόντων που

έχουν υποστεί εύλογη φθορά λόγω χρήσης ή την αντικατάσταση των προϊόντων προκειμένου να εξασφαλίσει την ελάχιστη ενόχληση στους πελάτες της, εκτός εάν:

- ◆ Το προϊόν έχει χρησιμοποιηθεί σε εργασιακό, επαγγελματικό περιβάλλον ή αν έχει ενοικιαστεί.
- ◆ Έχει γίνει εσφαλμένη χρήση του προϊόντος ή έχει παραμεληθεί.
- ◆ Το προϊόν έχει υποστεί βλάβη από άλλα αντικείμενα, από ουσίες ή λόγω ατυχήματος.
- ◆ Έχει γίνει προσπάθεια επισκευής από μη εξουσιοδοτημένα κέντρα επισκευών ή από προσωπικό που δεν ανήκει στο προσωπικό της Black & Decker.

Για να ισχύσει η εγγύηση, πρέπει να υποβάλετε απόδειξη αγοράς στον πωλητή ή το εξουσιοδοτημένο κέντρο επισκευών. Ενημερωθείτε για το πλησιέστερο εξουσιοδοτημένο κέντρο επισκευών της περιοχής σας, επικοινωνώντας με τα γραφεία της Black & Decker στη διεύθυνση που αναγράφεται στο εγχειρίδιο. Επίσης, για να πληροφορηθείτε για τα εξουσιοδοτημένα κέντρα επισκευών της Black & Decker και τους αρμόδιους των υπηρεσιών που παρέχονται μετά την πώληση, μπορείτε να ανατρέξετε στο Διαδίκτυο, στη διεύθυνση:

www.2helpU.com

Παρακαλούμε επισκεφθείτε την ιστοσελίδα μας

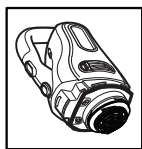
www.blackanddecker.eu για να καταχωρήσετε το νέο σας προϊόν Black & Decker και για να ενημερώνεστε για τα νέα προϊόντα και τις ειδικές προσφορές. Περισσότερες πληροφορίες σχετικά με τη μάρκα Black & Decker και τη σειρά των προϊόντων μας θα βρείτε στη διεύθυνση **www.blackanddecker.eu**.



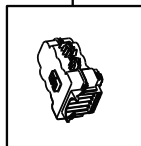
DV1205EN

TYP.
H3

Partial support - Only parts shown available
 Nur die aufgeführten Teile sind lieferbar
 Réparation partielle - Seules les pièces indiquées sont disponibles
 Supporto parziale - Sono disponibili soltanto le parti evidenziate
 Sólo se muestran las piezas disponibles
 Se listan únicamente las partes disponibles
 Gedeeltelijke ondersteuning - alleen de getoonde onderdelen
 zijn beschikbaar



1



3



5



4



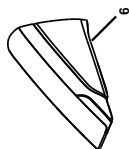
16



22



23



6



7

E15955

www.2helpU.com

26 - 01 - 10

©

ENGLISH

Do not forget to register your product!
www.blackanddecker.co.uk/productregistration

Register your product online at www.blackanddecker.co.uk/productregistration or send your name, surname and product code to Black & Decker in your country.

DEUTSCH

Vergessen Sie nicht, Ihr Produkt registrieren zu lassen!
www.blackanddecker.de/productregistration

Lassen Sie Ihr Produkt unter www.blackanddecker.de/productregistration online registrieren oder schicken Sie Ihren Nachnamen, Vornamen und den Produktcode an Black & Decker in Ihrem Land.

FRANÇAIS

N'oubliez pas d'enregistrer votre produit !
www.blackanddecker.fr/productregistration

Enregistrez votre produit en ligne sur www.blackanddecker.fr/productregistration ou envoyez vos nom, prénom et code produit à Black & Decker dans votre pays.

ITALIANO

Non dimenticate di registrare il prodotto!
www.blackanddecker.it/productregistration

Registrate il prodotto online su www.blackanddecker.it/productregistration o inviate nome, cognome e codice del prodotto al centro Black & Decker del vostro paese.

NEDERLANDS

Vergeet niet uw product te registreren!
www.blackanddecker.nl/productregistration

U kunt uw product online registreren op www.blackanddecker.nl/productregistration of u kunt uw voornaam, achternaam en productcode opsturen naar Black & Decker in uw land.

ESPAÑOL

¡No olvide registrar su producto!
www.blackanddecker.es/productregistration

Registre su producto on-line en www.blackanddecker.es/productregistration o envíe su nombre, apellidos y código de producto a Black & Decker en su país.

PORTUGUÊS

Não se esqueça de registar o seu produto!
www.blackanddecker.pt/productregistration

Registe o seu produto online em www.blackanddecker.pt/productregistration ou envie o seu nome, apelido e código do produto para a Black & Decker no seu país.

SVENSKA

Glöm inte att registrera produkten!
www.blackanddecker.se/productregistration

Registrera produkten online på www.blackanddecker.se/productregistration eller skicka namn och produktkod till Black & Decker i landet du bor i.

NORSK

Ikke glem å registrere produktet ditt!
www.blackanddecker.no/productregistration

Registrer produktet ditt online på www.blackanddecker.no/productregistration, eller send ditt navn, etternavn og produktkode til Black & Decker i ditt eget land.

DANSK

Glem ikke at registrere dit produkt!
www.blackanddecker.dk/productregistration

Registrer dit produkt på internettet på: www.blackanddecker.dk/productregistration eller send dit navn, efternavn og produktkode til Black & Decker i dit eget land.

SUOMI

Muistathan rekisteröidä tuotteesi!
www.blackanddecker.fi/productregistration

Rekisteröi tuotteesi verkossa osoitteessa www.blackanddecker.fi/productregistration tai lähetä etunimesi, sukunimesi ja tuotekoodi oman maasi Black & Decker -edustajalle.

ΕΛΛΗΝΙΚΑ

Μην ξεχάσετε να καταχωρίσετε το προϊόν σας!
www.blackanddecker.gr/productregistration

Καταχωρίστε το προϊόν σας σε σύνδεση στη σελίδα www.blackanddecker.gr/productregistration ή στείλετε το όνομα, επίθετο σας και τον κωδικό προιοντός στη Black & Decker στη χώρα σας.

Australia	Black & Decker (Australia) Pty. Ltd. 20 Fletcher Road, Mooroolbark, Victoria, 3138	Tel. 03-8720 5100 Fax 03-9727 5940
België/Belgique	Black & Decker (Belgium) N.V. Nieuwlandlaan 321 3200 Aarschot	Tel. 016 68 91 00 Fax 016 68 91 11
Danmark	Black & Decker Sluseholmen 2-4, 2450 København SV Internet: www.blackanddecker.dk	Tel. 70 20 15 10 Fax 70 22 49 10
Deutschland	Black & Decker GmbH Black & Decker Str. 40, D - 65510 Idstein	Tel. 06126/21 - 0 Fax 06126/21 29 80
Ελλάδα	Black & Decker (Ελλάς) A.E Στράβωνος 7 & Λεωφ. Βουλιαγμένης 159 166 74 Γλυφάδα - Αθήνα	Τηλ. 210 8981616 Φαξ 210 8983285 www.blackanddecker.gr
España	Black & Decker Ibérica, S.C.A. Parc de Negocis "Mas Blau" Edificio Muntadas, c/Bergadá, 1, Of. A6 08820 El Prat de Llobregat (Barcelona)	Tel. 934 797 400 Fax 934 797 419
France	Black & Decker (France) S.A.S. B.P. 21, 69571 Dardilly Cédex	Tel. 04 72 20 39 20 Fax 04 72 20 39 00
Helvetia	ROFO AG Gewerbezone Seeblick 3213 Kleinbödingen	Tel. 026-6749391 Fax 026-6749394
Italia	Black & Decker Italia SpA Viale Elvezia 2 20052 Monza (MI)	Tel. 039-23871 Fax 039-2387592/2387594 Numero verde 800-213935
Nederland	Black & Decker Benelux Joulehof 12, 4622 RG Bergen op Zoom	Tel. 0164 - 283000 Fax 0164 - 283100
New Zealand	Black & Decker 81 Hugo Johnston Drive Penrose, Auckland, New Zealand	Tel. 09 579 7600 Fax 09 579 8200
Norge	Black & Decker (Norge) A/S Postboks 4814, Nydalen, 0422 Oslo Internet: www.blackanddecker.no	Tif. 22 90 99 00 Fax 22 90 99 01
Österreich	Black & Decker Vertriebsges.m.b.H Oberlaaerstraße 246, A1100 Wien	Tel. 01 66116-0 Fax 01 66116-14
Portugal	Black & Decker Rua Egas Moniz 173 S. João do Estoril 2766-651 Estoril	Tel. 214667500 Fax 214667580
Suomi	Black & Decker Oy Keilasatama 3, 02150 Espoo Black & Decker Oy, Kägelhamnen 3, 02150 Esbo	Puh. 010 400 430 Faksi (09) 2510 7100 Tel. 010 400 430 Fax (09) 2510 7100
Sverige	Black & Decker AB Fabriksg. 7, 412 50 Göteborg	Tel. 031-68 60 60 Fax 031-68 60 80
Türkiye	İntratek Mühendislik ve Dış Tic. A.Ş. Atatürk Mah. Girne Cad. No. 45 34750 Küçükbakkalköy Kadıköy İstanbul	Tel. 0216 456 60 60 Faks 0216 456 60 84
United Kingdom	Black & Decker 210 Bath Road Slough, Berkshire SL1 3YD	Tel. 01753 511234 Fax 01753 551155 Helpline 01753 574277
Middle East & Africa	Black & Decker (Overseas) A.G. PB 5420, Dubai, United Arab Emirates	Tel. +971 4 2826464 Fax +971 4 2826466