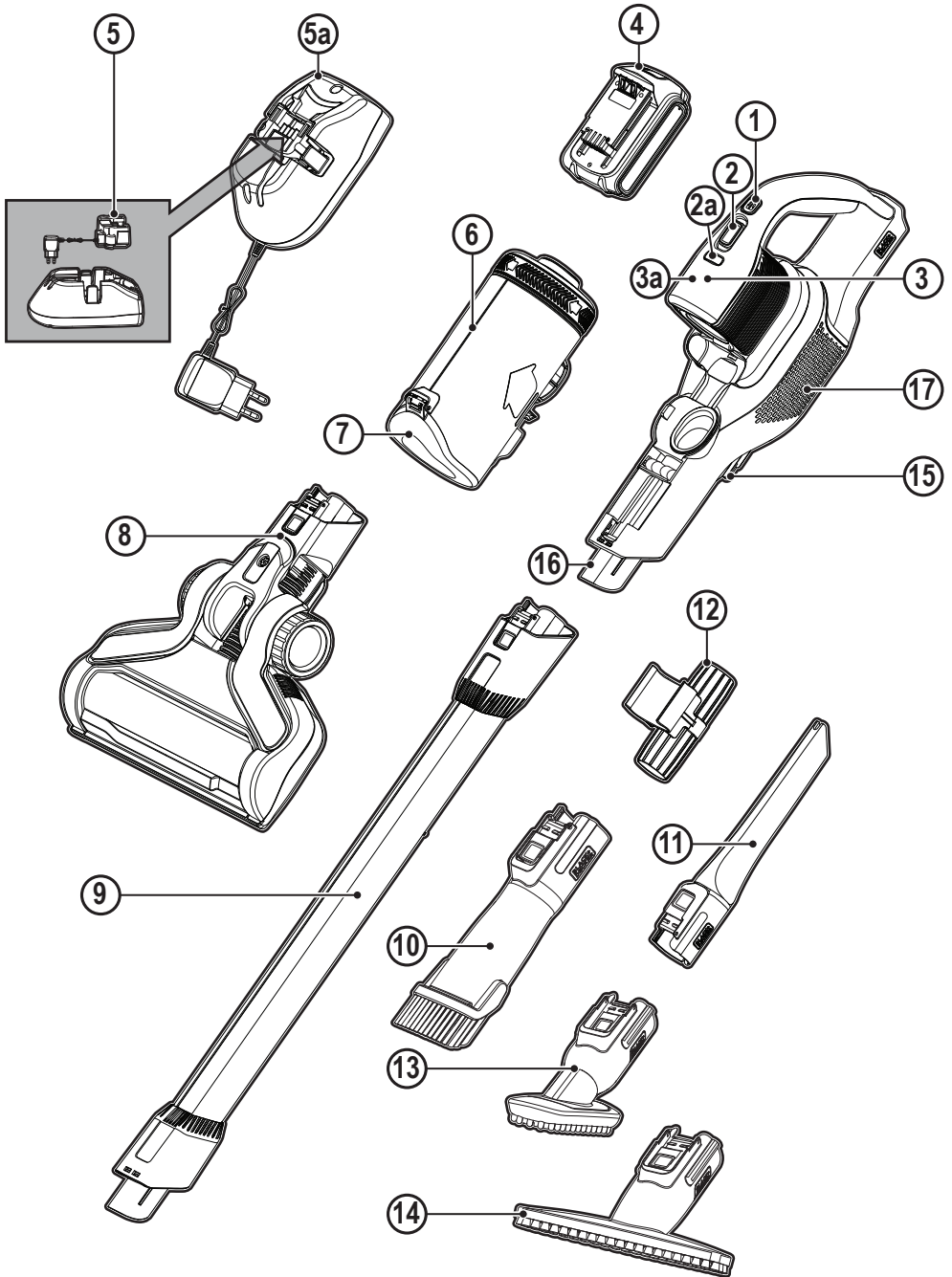
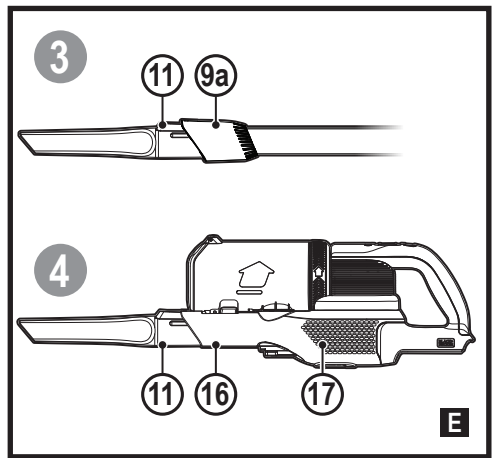
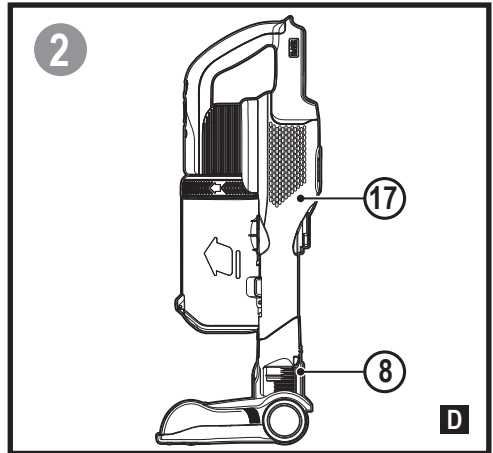
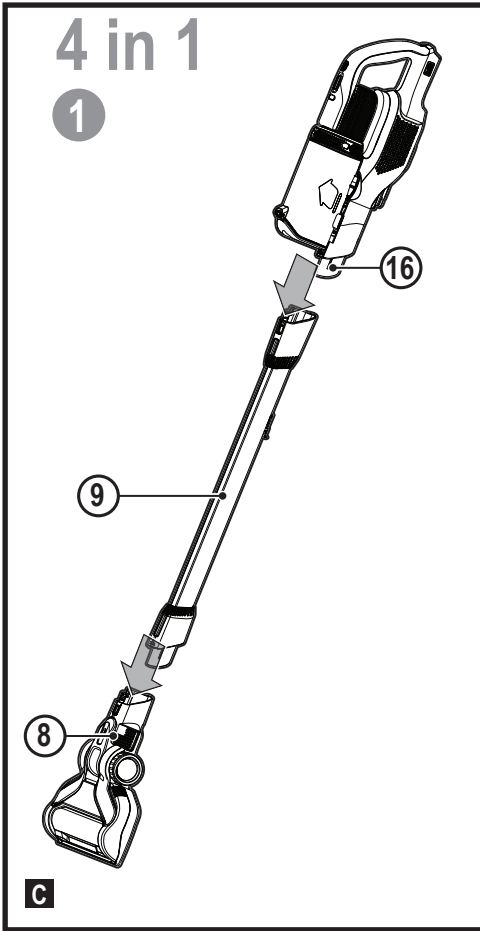
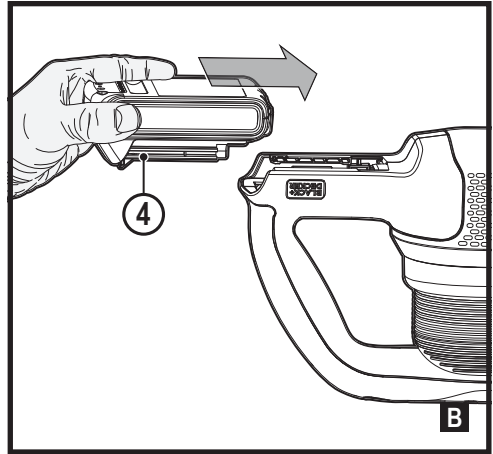
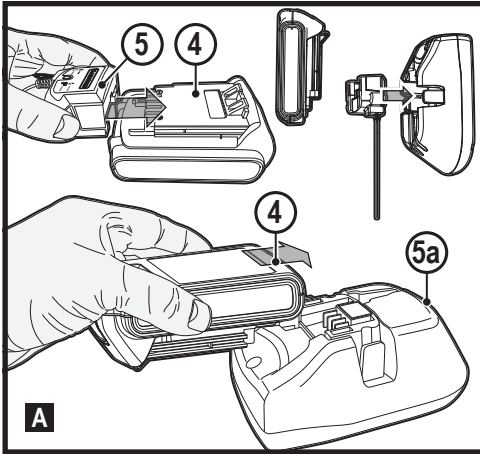


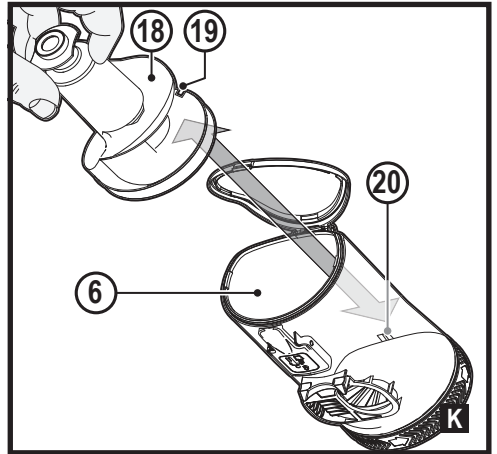
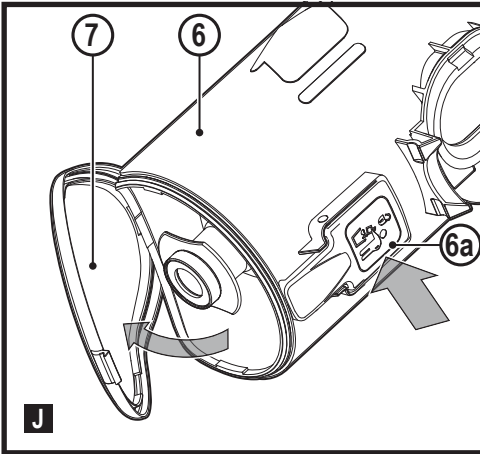
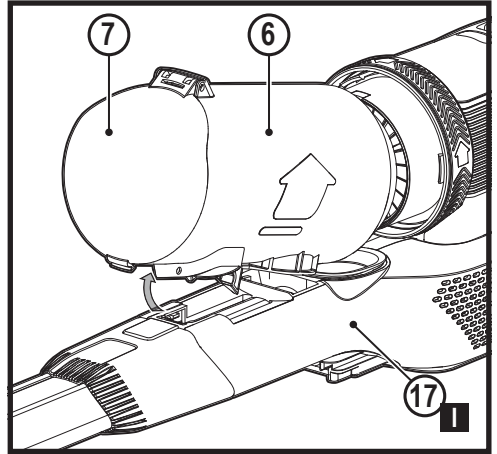
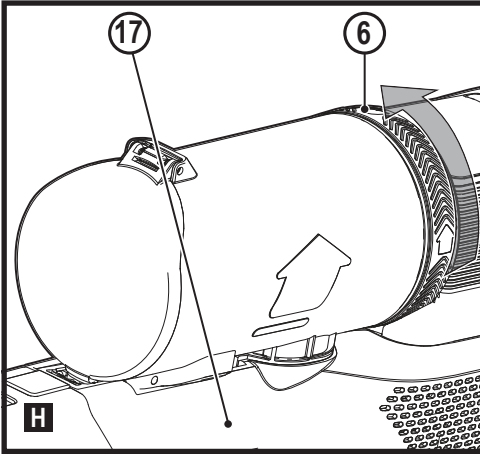
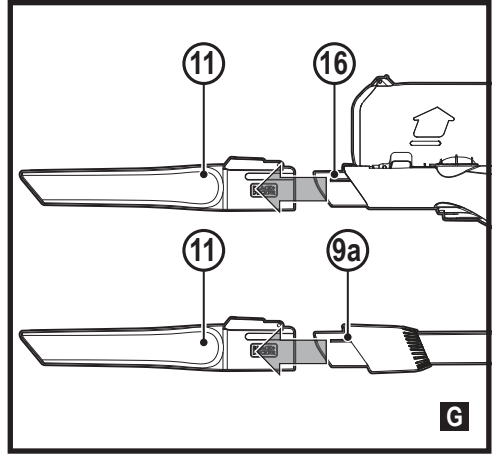
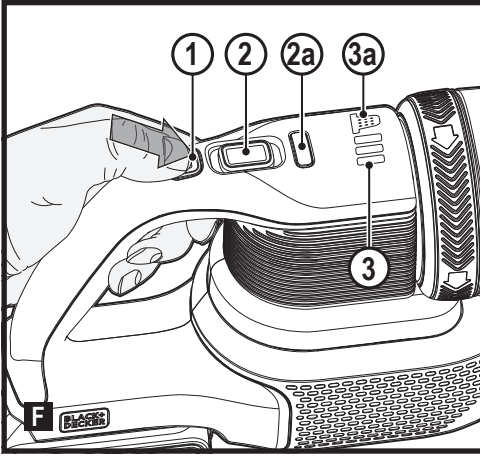


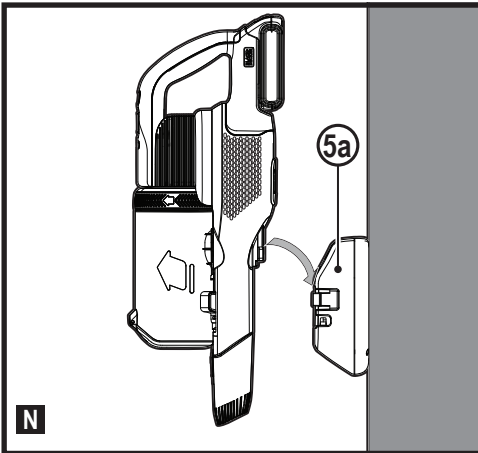
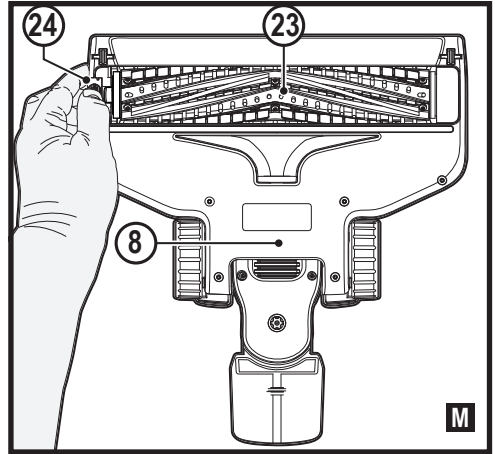
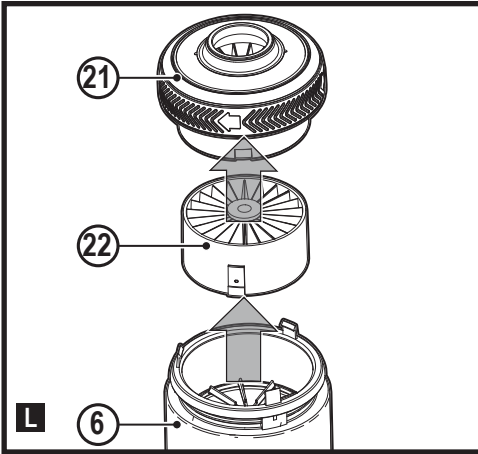
www.blackanddecker.co.uk

BHFEV182B
BHFEV182C
BHFEV182CP









Failure to follow the warnings and instructions listed below may result in electric shock, fire and/or serious injury.

- ◆ The intended use is described in this manual. The use of any accessory or attachment or the performance of any operation with this appliance other than those recommended in this instruction manual may present a risk of personal injury.
- ◆ Retain this manual for future reference.

Intended use

Your BLACK+DECKER BHFEV182B, BHFEV182C, BHFEV182CP 4 in 1 cordless vacuum cleaners have been designed for vacuum cleaning purposes. These appliances are intended for household use only.



Read all of this manual carefully before operating the appliance.

Safety instructions



Warning! Read all safety warnings and all instructions.

Using your appliance

- ◆ Do not use the appliance to pick up liquids or any materials that could catch fire.
- ◆ Do not use the appliance near water.
- ◆ Do not immerse the appliance in water.
- ◆ Never pull the charger lead to disconnect the charger from the socket. Keep the charger lead away from heat, oil and sharp edges.

- ◆ This appliance can be used by children aged from 8 years and above and persons with reduced physical, sensory or mental capabilities or lack of experience and knowledge if they have been given supervision or instruction concerning use of the appliance in a safe way and understand the hazards involved. Children shall not play with the appliance.
Cleaning and user maintenance shall not be made by children without supervision.

Inspection and repairs

Before use, check the appliance for damaged or defective parts. Check for breakage of parts, damage to switches and any other conditions that may affect its operation.

- ◆ Do not use the appliance if any part is damaged or defective.
- ◆ Have any damaged or defective parts repaired or replaced by an authorized repair agent.
- ◆ Regularly check the charger lead for damage. Replace the charger if the lead is damaged or defective.
- ◆ Never attempt to remove or replace any parts other than those specified in this manual.

Additional safety instructions

After use

- ◆ Unplug the charger before cleaning the charger or charging base.

- ◆ When not in use, the appliance should be stored in a dry place.
- ◆ Children should not have access to stored appliances.

Residual risks

Additional residual risks may arise when using the tool which may not be included in the enclosed safety warnings. These risks can arise from misuse, prolonged use etc.

Even with the application of the relevant safety regulations and the implementation of safety devices, certain residual risks can not be avoided. These include:

- ◆ Injuries caused by touching any rotating/moving parts.
- ◆ Injuries caused when changing any parts, blades or accessories.
- ◆ Injuries caused by prolonged use of a tool. When using any tool for prolonged periods ensure you take regular breaks.
- ◆ Impairment of hearing.
- ◆ Health hazards caused by breathing dust developed when using your tool (example:- working with wood, especially oak, beech and MDF.)

Chargers

Your charger has been designed for a specific voltage. Always check that the mains voltage corresponds to the voltage on the rating plate.

Warning! Never attempt to replace the charger unit with a regular mains plug.

- ◆ Use your BLACK+DECKER charger only to charge the battery in the appliance with which it was supplied.

Other batteries could burst, causing personal injury and damage.

- ◆ Never attempt to charge non-rechargeable batteries.
- ◆ If the supply cord is damaged, it must be replaced by the manufacturer or an authorised BLACK+DECKER Service Centre in order to avoid a hazard.
- ◆ Do not expose the charger to water.
- ◆ Do not open the charger.

- ◆ Do not probe the charger.
- ◆ The appliance/battery must be placed in a well ventilated area when charging.

Electrical safety

Symbols on the charger



Read all of this manual carefully before using the appliance.



This tool is double insulated; therefore no earth wire is required. Always check that the power supply corresponds to the voltage on the rating plate.



The charging base is intended for indoor use only.

Labels on appliance

The following symbols appear on this appliance along with the date code



Read all of this manual carefully before using the appliance



BHFEV182B, BHFEV182C, BHFEV182CP
use charger S010**2400040 /
SSC-250040** SSC-250040**

Features

This tool includes some or all of the following features.

1. On/Off button
2. 3 speed power switch
- 2a. Beater bar activation button
3. State of charge indicator
- 3a. Filter sense

4. 18V Battery (available with units BHFEV182C, BHFEV182CP)
5. 18V cup charger and charging station (available with units BHFEV182C, BHFEV182CP)
6. Lift away dust canister with filter agitator
7. Dust canister door
8. Floor head
9. Extension tube
10. 2 in 1 Accessory tool (available to order through service department)
11. Crevice tool (available with units BHFEV182B, BHFEV182C, BHFEV182CP)
12. Accessory storage clip
13. Pet hair tool (available with units BHFEV182CP)
14. Wide mouth dust brush (available available to order through service department)
15. Charge port

Charging a Battery

BLACK+DECKER chargers are designed to charge BLACK+DECKER battery packs.

Note: To ensure maximum performance and life of lithium ion battery packs:

- ◆ Charge the battery pack fully before first use.
- ◆ Recharge discharged batteries as soon as possible after every use.
- ◆ Do not discharge batteries fully.

The supplied charger offers three possible ways to charge your battery.

1. Standard cup charging only
2. Wall mounted cup charging
3. Wall mounted suspended charging

1. Standard cup charging (Fig. A)

- ◆ Plug the charger (5) into an appropriate outlet before inserting the battery pack (4).
- ◆ Insert the battery pack into the cup charger.
- ◆ When using the the cup charger a green LED will flash indicating that the battery is being charged.
- ◆ The completion of charge is indicated by the green LED remaining on continuously. The pack is fully charged and may be used at this time or left on the charger.
- ◆ The cup charger can be inserted into the charging station (5a) as shown in figure A.

2. Wall mounted battery charging

- ◆ Mark the location of the charging station (5a) screw holes on the wall (within reach of an electrical outlet) for charging the vacuum while it is on the charging station.
- ◆ Fix the charging station (5a) to the wall using appropriate screws and plugs for the type of wall, and weight of the appliance.
- ◆ Install the cup charger (5) into the charging station (5a). Ensure it is locked into place before proceeding.

Note: To remove the cup charger from the charging base pull out on the retaining tabs and lift the cup charger out.

- ◆ Plug the charger into an appropriate outlet before inserting the battery pack.
- ◆ Slide the battery pack onto the charging station.

3. Wall mounted vacuum storage and battery charging

The product can be attached to a wall to provide a convenient storage and charging point for the appliance. When mounting to a wall, make sure the mounting method is suitable for the wall type and is appropriate to the weight of the appliance.

- ◆ Mark the location of the charging station screw holes on the wall (within reach of an electrical outlet for charging the vacuum while it is on the charging station).
- ◆ Fix the charging station to the wall using appropriate screws and plugs for the type of wall, and weight of the appliance.
- ◆ Install the cup charger into the charging station. Ensure it is locked into place before proceeding.

Note: To remove the cup charger from the charging base pull out on the retaining tabs and lift the cup charger out.

- ◆ Plug the charger into an appropriate outlet.
- ◆ With the battery installed on the vacuum, slide the charge port (15), located on the vacuum base, onto the rails of the charging station (5a).
- ◆ The white LED (3) on the vacuum will flash indicating that the battery is being charged.
- ◆ The LED sections increase as the battery is charged - when fully charged the LEDs go out. The pack is fully charged and may be used at this time or left on the charger.

Leaving the battery in the charger

The charger and battery pack can be left connected with the green LED glowing indefinitely. The charger will keep the battery pack fresh and fully charged.

To install battery pack (fig. B)

- ◆ Insert battery (4) into tool until an audible click is heard as shown in figure B.
- ◆ Ensure battery pack is fully seated and fully latched into position.

To remove battery pack

- ◆ Depress the battery release button and pull battery pack (4) out of the tool.

Assembly (Fig. C)

- ◆ Align the top of the extension tube (9) with the vacuum inlet (16) as shown in figure C.

- ◆ Push the extension tube (9) onto the vacuum inlet (16) so it locks into position.
- ◆ Align the bottom of the extension tube (9) with the floor head (8) as shown in figure C.
- ◆ Push the bottom of the extension tube (9) onto the floor head (8) so it locks into position.
- ◆ To remove an accessory, press the accessory release latch located on the accessory and pull it off.

USE

This vacuum cleaner can be used in one of four ways.

- ◆ With the extension tube (9) and the floor brush (8) as shown in figure C.
- ◆ With the floor brush (8) and the vacuum inlet (16) as shown in figure D.
- ◆ With the extension tube (9) and an accessory tool (10), (11), (13) or (14) as shown in figure E.
- ◆ With an accessory tool (10), (11), (13) or (14) and the vacuum inlet (16) as shown in figure E.
- ◆ Accessories not supplied with your unit can be ordered through service department.

Switching ON and OFF (Fig. F)

- ◆ To switch ON, press the On/Off button (1).
- ◆ For increased power, slide the variable power switch (2) forward.

Note: The floor brush (8) will power on when it is attached to the vacuum or extension tube (it can be switched off by pressing the button 2a on the display). The LED worklights on the front of the floor head will illuminate whenever the beater bar activation button (2a) is switched ON (they can be switched off by pressing the button again).

Note: The state of charge indicator LEDs (3) will illuminate while the vacuum is ON or during the charging process.

- ◆ To switch OFF, press the On/Off button (1).
- ◆ Return the product to the charger immediately after use so that it will be ready and fully charged for the next use. Ensure that the product is fully engaged with the charger plug.

Using an Accessory tool (Fig. G)

Your vacuum may come with some of the following tools.

- ◆ 2 in 1 Accessory tool (10)
- ◆ Crevice tool (11).
- ◆ Pet hair tool (13).
- ◆ Wide mouth dust brush (14).
- ◆ The accessory tool (10), (11), (13) or (14) can be fitted either directly to the extension tube (6) or to the vacuum inlet (5) as shown in Fig. J.
- ◆ Align the top of the accessory tool (10), (11), (13) or (14) with the vacuum inlet (16) or extension tube connection (9a) and push into place so it locks into position as shown in figure G.

		BHFVEV122B	BHFVEV122C	BHFVEV122CP
10	2 in 1 Accessory			
11	Crevice tool	√	√	√
12	Accessory storage clip	√	√	√
13	Pet hair tool			√
14	Wide mouth dust brush			

- ◆ All available through service department

Cleaning and emptying the vacuum

Filter sense

Whenever a filter is Blocked and needs cleaning, the red filter LED (3) in the chassis will illuminate.

Filter agitator (Fig. H)

With the lift away dust canister (6) off the chassis (17), rotate the filter agitator wheel 5 - 10 times to remove excessive dust from the filter thus increasing its performance.

Note: It is recommended that you agitate when the unit is emptied and the prefilter removed.

Note: Maximum dust collection will only be obtained with clean filters and an empty dust canister.

If dust begins to fall back out of the product after it is switched off, this indicates that the dust canister is full and requires emptying.

To empty the dust canister (Fig. I, J)

- ◆ Lift and remove the lift away dust canister (6) from the chassis (17) as shown in figure I.
- ◆ Place the dust canister over a dust bin and press the dust canister lid release button (6a) to empty the dust canister as shown in figure J.
- ◆ Close the dust canister lid (7), until it "clicks" firmly into position.
- ◆ Install the lift away dust canister (6) back onto the chassis (17).

Removing pre-filter (Fig. K)

- ◆ Lift and remove the lift away dust canister (6) from the chassis (17) as shown in figure I.
- ◆ Place the dust canister over a trash bin and press the dust canister lid release button (6a) to empty the dust canister as shown in figure J.
- ◆ Use your index finger and thumb to pinch the pre-filter (18), pull the pre-filter (18) from the dust canister (6) as shown in figure K.

Note: The filter housing fits snugly in the dust canister and may be difficult to remove at first.

- ◆ Empty the dust canister.
- ◆ Install the pre-filter (18) into the dust canister (6) ensuring the dust canister tab (20) aligns with the prefilter slot (19) as shown in figure K.

- ◆ Install the dust canister onto the vacuum, until it "clicks" firmly into position.

Removing filter (Fig. L)

- ◆ Lift and remove the lift away dust canister (6) from the chassis (17) as shown in figure I.
- ◆ Place the dust canister over a trash bin and press the dust canister lid release button (6a) to empty the dust canister as shown in figure J.
- ◆ Grasp the agitator wheel housing (21) and pull up to remove.
- ◆ Remove the filter (22), from the agitator wheel housing (21) as shown in figure L.
- ◆ Shake off or lightly brush any loose dust from the filter.
- ◆ Install the the filter (22), into the agitator wheel housing (21).
- ◆ Install the agitator wheel housing (21) onto the dust canister, until it "clicks" firmly into position.

Cleaning the filters

- ◆ Once the filter and pre-filter are removed from the dust canister shake off or lightly brush any loose dust from the pre-filter and filter.
- ◆ Rinse out the dust canister (6) with warm soapy water.
- ◆ Wash the filters with warm soapy water.
- ◆ Ensure the filters are completely dry (24 hrs) before refitting.
- ◆ Follow instructions in the "Removing pre-filter and Removing filter" sections for assembly instructions.

Note: Maximum dust collection will only be obtained with clean filters and an empty dust canister.

If dust begins to fall back out of the product after it is switched off, this indicates that the dust canister is full and requires emptying or that there is a blockage somewhere.

- ◆ Wash the filters regularly using warm, soapy water and ensure that it is completely dry before using again. The cleaner the filter is, the better the product will perform.
- ◆ It is very important that the filters are completely dry and correctly in position before use.

Removing and clearing the rotary brushes (Fig. M)

Warning! To reduce the risk of injury from moving parts, disconnect battery before cleaning or servicing.

- ◆ To remove the rotary brush (23) from the floor head (8) depress the release button (24) as shown in figure M.
- ◆ Lift the rotary brush from its locked position.
- ◆ The rotary brush (23) can now be removed.
- ◆ Clean the rotary brush, and reinstall. Ensure it is secured in its locked position before operating.

Storage

The unit can be safely stored using the charging station (5a) as shown in figure N.

Maintenance

Your BLACK+DECKER cordless appliance has been designed to operate over a long period of time with a minimum of maintenance. Continuous satisfactory operation depends upon proper tool care and regular cleaning.

Warning! Before performing any maintenance on cordless appliances:

- ◆ Remove the battery.
- ◆ Unplug the charger before cleaning it. Your charger does not require any maintenance apart from regular cleaning.
- ◆ Regularly clean the ventilation slots in your appliance/charger using a soft brush or dry cloth.
- ◆ Regularly clean the motor housing, using a damp cloth. Do not use any abrasive or solvent-based cleaner.

Replacing the filters

The filters should be replaced every 6 to 9 months and whenever worn or damaged.

Replacement filters are available from your BLACK+DECKER dealer.

- ◆ Remove the old filters as described above.
- ◆ Fit the new filters as described above.

Trouble shooting

Problem	Possible Cause	Possible solution
Unit will not start.	Battery pack not charged.	Check battery pack charging requirements.
	Blockage.	Check floorhead tube.
		Check extension tube.
		Check between extension tube and bowl
Beater bar stops working.	Obstruction.	The unit is equipped with a beater bar overload protection feature. Remove and clean the beater bar of all debris and obstructions
Battery pack will not charge.	Charger not plugged in.	Plug charger into a working outlet. Refer to Important Charging Notes for more details.
	Surrounding air temperature too hot or too cold	Move charger and battery pack to a 4 °C or below +40 °C.

Protecting the environment



Separate collection. Products and batteries marked with this symbol must not be disposed of with normal household waste.

Products and batteries contain materials that can be recovered or recycled reducing the demand for raw materials. Please recycle electrical products and batteries according to local provisions. Further information is available at www.2helpU.com

Technical Data

	BHFEV182B*	BHFEV182C	BHFEV182CP
Voltage	18	18	18
Watt Hours		36	36
Weight	2.8	3.17	3.23
Battery		BL2018	BL2018
Charger	S010**2400040 / SSC-250040**	S010**2400040 / SSC-250040**	S010**2400040 / SSC-250040**
Approx charge time		5h	5h

* BHFEV182B is a bare unit and does not come supplied with a battery or a charger.

Guarantee

Black & Decker is confident of the quality of its products and offers consumers a 24 month guarantee from the date of purchase. This guarantee is in addition to and in no way prejudices your statutory rights. The guarantee is valid within the territories of the Member States of the European Union and the European Free Trade Area.

To claim on the guarantee, the claim must be in accordance with Black&Decker Terms and Conditions and you will need to submit proof of purchase to the seller or an authorised repair agent.

Terms and conditions of the Black&Decker 2 year guarantee and the location of your nearest authorised repair agent can be obtained on the Internet at www.2helpU.com, or by contacting your local Black & Decker office at the address indicated in this manual.

Please visit our website www.blackanddecker.co.uk to register your new Black & Decker product and receive updates on new products and special offers.

Назначение

Ваши 4-в-1 аккумуляторные пылесосы BLACK+DECKER BHFEV182B, BHFEV182C, BHFEV182CP предназначены для выполнения вакуумной чистки. Данные приборы предназначены только для бытового использования.



Прежде чем приступить к работе с прибором, внимательно прочтите настоящее руководство.

Правила техники безопасности



Внимание! Ознакомьтесь со всеми предупреждениями и инструкциями по технике безопасности. Несоблюдение представленных ниже предупреждений и инструкций может привести к поражению электрическим током, возгоранию и/или тяжелым травмам.

- ◆ В данном руководстве описано предусмотренное применение. Использование каких-либо принадлежностей или насадок, а также выполнение каких-либо операций, отличных от рекомендованных в данном руководстве, может привести к риску получения травмы.
- ◆ Сохраните данное руководство для справки в будущем.

Использование прибора

- ◆ Не используйте прибор для сбора жидкостей или горючих материалов.
- ◆ Запрещается использовать прибор вблизи воды.

- ◆ Не погружайте прибор в воду.
- ◆ Не тяните за кабель зарядного устройства, чтобы отсоединить его от розетки. Держите кабель зарядного устройства на безопасном расстоянии от горячих предметов, масла и предметов с острыми краями.
- ◆ Данный прибор могут использовать дети в возрасте от 8 лет и старше, а также лица с ограниченными физическими, сенсорными или умственными способностями или лица, с недостаточным опытом и знаниями, если они находятся под наблюдением или действуют согласно указаниям в отношении безопасного использования прибора и понимают связанные с ним риски. Не позволяйте детям играть с прибором.
Чистку и техническое обслуживание не должны выполнять дети, если они не находятся под присмотром.

Осмотр и ремонт

Перед началом использования, проверьте прибор на наличие поврежденных или неисправных деталей. Проверьте наличие сломанных деталей, поврежденных переключателей, а также прочих условий, способных повлиять на его работу.

- ◆ Не используйте прибор, если какая-либо его деталь повреждена или неисправна.

- ◆ Поврежденные или неисправные детали должен исправить или заменить уполномоченный специалист по ремонту.
- ◆ Регулярно проверяйте кабель зарядного устройства на наличие повреждений. Замените зарядное устройство, если кабель поврежден или неисправен.
- ◆ Не пытайтесь снимать или заменять какие-либо компоненты, отличные от указанных в данном руководстве.

Дополнительные инструкции по технике безопасности

После использования

- ◆ Отсоедините зарядное устройство от источника питания перед чисткой самого зарядного устройства или зарядной базы.
- ◆ Если прибор не используется, его нужно хранить в сухом помещении.
- ◆ Дети не должны иметь доступа к помещенным на хранение приборам.

Остаточные риски

При работе с данным прибором возможно возникновение дополнительных остаточных рисков, которые не вошли в описанные здесь правила техники безопасности. Это может произойти при неправильной эксплуатации или продолжительном использовании прибора и т. п. Несмотря на соблюдение соответствующих инструкций по технике безопасности и использование

предохранительных устройств, некоторые остаточные риски невозможно полностью исключить. К ним относятся:

- ◆ Травмы в результате касания вращающихся/движущихся частей.
- ◆ Травмы, которые могут произойти в результате смены деталей, лезвий или дополнительных принадлежностей.
- ◆ Травмы, связанные с продолжительным использованием прибора. При использовании любого прибора в течение продолжительного периода времени не забывайте делать перерывы.
- ◆ Ухудшение слуха.
- ◆ Ущерб здоровью в результате вдыхания пыли в процессе работы с прибором (например, при обработке древесины, в особенности, дуба, бука и МДФ.)

Зарядные устройства

Зарядное устройство предназначено для работы с определенным напряжением. Необходимо обязательно убедиться в том, что напряжение источника питания соответствует указанному на паспортной табличке устройства.

Внимание! Никогда не пытайтесь заменить зарядное устройство обычной сетевой вилкой.

- ◆ Используйте зарядное устройство BLACK+DECKER только для зарядки аккумуляторной батареи устройства, с которым оно

поставлялось. Использование аккумуляторных батарей другого типа может привести к взрыву, травмам и повреждениям.

- ♦ Не пытайтесь заряжать одноразовые батареи.
- ♦ Если поврежден кабель питания, его нужно заменить у производителя или в официальном сервисном центре BLACK+DECKER, чтобы избежать рисков.
- ♦ Не подвергайте зарядное устройство воздействию воды.
- ♦ Не вскрывайте зарядное устройство.
- ♦ Не разбирайте зарядное устройство.
- ♦ Во время зарядки устройство/аккумуляторную батарею нужно оставить в хорошо проветриваемом помещении.



BHFEV182B, BHFEV182C, BHFEV182CP
используется с зарядным устройством
S010**2400040 / SSC-250040**

Составные части

Данный прибор может содержать все или некоторые из перечисленных ниже составных частей.

1. Кнопка выключателя
2. 3-скоростной регулятор мощности
- 2а. Кнопка включения вращающейся щетки
3. Индикатор состояния заряда
- 3а. Датчик фильтра
4. Аккумуляторная батарея 18 В (поставляется с моделями BHFEV182C, BHFEV182CP)
5. Зарядное устройство и зарядная база 18 В (поставляется с моделями BHFEV182C, BHFEV182CP)
6. Съёмный пылесборник со встряхивателем фильтра
7. Дверца пылесборника
8. Насадка для пола
9. Удлинительная труба
10. Насадка 2-в-1 (доступна под заказ через отдел обслуживания)
11. Щелевая насадка (поставляется с моделями BHFEV182B, BHFEV182C, BHFEV182CP)
12. Держатель для насадок
13. Насадка для удаления шерсти домашних животных (поставляется с моделями BHFEV182CP)
14. Широкая щетка для пыли (доступна под заказ через отдел обслуживания)
15. Зарядный разъем

Зарядка аккумуляторной батареи

Зарядные устройства BLACK+DECKER предназначены для зарядки аккумуляторных батарей BLACK+DECKER.

Примечание: Чтобы обеспечить максимальную производительность и срок службы ионно-литиевых аккумуляторных батарей:

- ♦ Полностью зарядите аккумуляторную батарею перед первым использованием.
- ♦ Заряжайте разряженные батареи как можно быстрее после каждого использования.
- ♦ Не разряжайте батареи полностью.

Поставляемое в комплекте зарядное устройство предлагает три способа зарядки батарей.

1. Только стандартная зарядка в зарядном устройстве
2. Зарядка от монтированного на стену зарядного устройства
3. Зарядка путем подвешивания на стену

Электробезопасность

Обозначения на зарядном устройстве



Перед использованием прибора внимательно прочтите данное руководство.



Ваше зарядное устройство имеет двойную изоляцию, поэтому заземления не требуется. Следите за напряжением электрической сети, оно должно соответствовать величине, обозначенной на информационной табличке устройства.



Зарядное устройство можно использовать только в помещении.

Маркировка прибора

Помимо кода даты на приборе имеются следующие предупреждающие знаки



Перед использованием прибора внимательно прочтите данное руководство

1. Стандартная зарядка в зарядном устройстве (Рис. А)

- ◆ Перед установкой батареи (4) подключите зарядное устройство (5) к соответствующей розетке.
- ◆ Вставьте батарею в зарядное устройство.
- ◆ При использовании зарядного устройства, зеленый светодиод начнет мигать, что означает начало зарядки батареи.
- ◆ По окончании зарядки, зеленый светодиод начнет гореть непрерывно. Теперь батарея полностью заряжена, и ее можно использовать или оставить в зарядном устройстве.
- ◆ Зарядное устройство можно вставить в зарядную базу (5а), как показано на Рис. А.

2. Зарядка путем подвешивания на стену

- ◆ Отметьте расположение отверстий под винты для зарядной базы (5а) на стене (выберите место недалеко от розетки) для зарядки пылесоса, пока он находится на зарядной базе.
- ◆ Установите зарядную базу (5а) на стену при помощи винтов и дюбелей для соответствующего типа стены и веса прибора.
- ◆ Установите зарядное устройство (5) в зарядную базу (5а). Перед тем, как продолжить, убедитесь, что оно прочно зафиксировано на месте.

Примечание: Чтобы снять зарядное устройство с зарядной базы, вытяните стопорные ушики и извлеките зарядное устройство.

- ◆ Перед установкой батареи, подключите зарядное устройство к соответствующей розетке.
- ◆ Вставьте батарею в зарядную базу.

3. Хранение и зарядка пылесоса на настенном креплении

Данный прибор имеет кронштейн для настенного крепления, который делает хранение и зарядку значительно удобнее.

При использовании такого метода крепления убедитесь, что он подходит для стены, на которой вы собираетесь закрепить прибор с учетом его веса.

- ◆ Отметьте расположение отверстий под винты для зарядной базы на стене (выберите место недалеко от розетки) для зарядки пылесоса, пока он находится на зарядной базе.
- ◆ Установите зарядную базу на стену при помощи винтов и дюбелей для соответствующего типа стены и веса прибора.
- ◆ Установите чашевидное зарядное устройство в зарядную станцию. Перед тем, как продолжить, убедитесь, что оно прочно зафиксировано на месте.

Примечание: Чтобы снять зарядное устройство с зарядной базы, вытяните стопорные ушики и извлеките зарядное устройство.

- ◆ Вставьте вилку зарядного устройства в соответствующую розетку.
- ◆ Установив батарею в пылесос, вставьте зарядный разъем (15) на основании пылесоса на направляющие зарядной станции (5а).
- ◆ Белый светодиод (3) на пылесосе начнет мигать, что означает начало зарядки батареи.
- ◆ Дополнительные секции светодиода загораются по мере зарядки батареи – при полностью заряженной батарее, светодиоды погаснут. Теперь батарея полностью заряжена, и ее можно использовать или оставить в зарядном устройстве.

Хранение аккумуляторной батареи в зарядном устройстве

Зарядное устройство и аккумуляторную батарею можно оставить подключенными к сети с горящим зеленым светодиодным индикатором. Зарядное устройство будет поддерживать полную зарядку аккумуляторной батареи.

Установка батареи (Рис. В)

- ◆ Вставьте аккумуляторную батарею (4) в прибор до слышимого щелчка, как показано на Рис. В.
- ◆ Убедитесь в том, что аккумуляторная батарея правильно и плотно установлена в зарядном устройстве.

Извлечение аккумуляторной батареи

- ◆ Нажмите не опирающую кнопку и извлеките аккумуляторную батарею (4) из прибора.

Сборка (Рис. С)

- ◆ Совместите верхнюю часть удлинительной трубы (9) со всасывающим портом (16), как показано на Рис. С.
- ◆ Вставьте удлинительную трубу (9) во всасывающий порт (16) так, чтобы она зафиксировалась на месте.
- ◆ Совместите нижний конец удлинительной трубы (9) с насадкой для пола (8), как показано на Рис. С.
- ◆ Вставьте нижний конец удлинительной трубы (9) в насадку для пола (8) так, чтобы она зафиксировалась на месте.
- ◆ Чтобы снять насадку, нажмите на фиксатор насадки и снимите ее.

ИСПОЛЬЗОВАНИЕ

Данный пылесос можно использовать одним из четырех способов.

- ◆ С удлинительной трубой (9) и щеткой для пола (8), как показано на Рис. С.
- ◆ С щеткой для пола (8), установленной на всасывающий порт (16), как показано на Рис. D.

- ◆ С удлинительной трубой (9) и насадкой (10), (11), (13) или (14), как показано на Рис. Е.
- ◆ С насадкой (10), (11), (13) или (14), установленной на всасывающий порт (16), как показано на Рис. Е.
- ◆ Дополнительные принадлежности, не входящие в комплект поставки вашего прибора, можно заказать через отдел обслуживания.

		BHFEV 123B		
		BHFEV 123C		
		BHFEV 123D		
10	2 in 1 Accessory			
11	Crevice tool	√	√	√
12	Accessory storage clip	√	√	√
13	Pet hair tool			√
14	Wide mouth dust brush			

- ◆ Все насадки доступны на заказ через отдел обслуживания

Включение и выключение (Рис. F)

- ◆ Чтобы включить прибор, нажмите кнопку выключателя (1).
- ◆ Чтобы повысить мощность, переведите регулятор мощности (2) вперед.

Примечание: Щетка для пола (8) включится, будучи закрепленной на пылесосе или удлинительной трубе (ее можно выключить, нажав кнопку 2a на дисплее).

Светодиодная подсветка на насадке для пола загорается при каждом включении кнопки включения (2a) вращающейся щетки (подсветку можно выключить, еще раз нажав кнопку).

Примечание: Светодиодные индикаторы зарядки (3) загорятся при включении пылесоса или в процессе зарядки.

- ◆ Чтобы выключить, нажмите кнопку выключателя (1).
- ◆ Сразу возвращайте прибор в зарядное устройство после использования, чтобы он было заряжен и готов к последующему использованию. Убедитесь, что в изделие плотно вставлен штекер зарядного устройства.

Использование насадок (Рис. G)

Ваш пылесос может быть оснащен некоторыми из следующих насадок.

- ◆ Насадка 2-в-1 (10)
- ◆ Щелевая насадка (11).
- ◆ Насадка для удаления шерсти домашних животных (13).
- ◆ Широкая щетка для пыли (14).
- ◆ Насадку (10), (11), (13) или (14) можно установить напрямую на удлинительную трубу (6) или на всасывающий порт пылесоса (5), как показано на Рис. J.
- ◆ Совместите верхнюю часть насадки (10), (11), (13) или (14) с р всасывающим портом (16) или разъемом удлинительной трубы (9a) и вставьте его до щелчка, как показано на Рис. G.

Чистка и опорожнение пылесоса

Датчик фильтра

При засорении фильтра и необходимости его очистки, на шасси загорится красный светодиод (3).

Встряхиватель фильтра (Рис. H)

При извлечении пылесборника (6) из шасси (17), поверните круг встряхивателя фильтра 5–10 раз, чтобы выбить избыток пыли из фильтра, тем самым повысив его производительность.

Примечание: Рекомендуется повернуть встряхиватель после опорожнения прибора и снятия фильтра предварительной очистки.

Примечание: Оптимальная сборка пыли может быть достигнута только при наличии чистых фильтров и пустого пылесборника.

Если пыль начинает выпадать из изделия после выключения, то это означает, что пылесборник переполнен и нуждается в опорожнении.

Опорожнение пылесборника (Рис. I, J)

- ◆ Поднимите и снимите пылесборник (6) с шасси (17), как показано на Рис. I.
- ◆ Разместите пылесборник над мусорной корзиной и нажмите на отпирающую кнопку дверцы пылесборника (6a), чтобы опорожнить пылесборник, как показано на Рис. J.
- ◆ Закройте дверцу пылесборника (7) так, чтобы она встала на место со щелчком.
- ◆ Установите пылесборник (6) обратно на шасси (17).

Извлечение фильтра предварительной очистки (Рис. K)

- ◆ Поднимите и снимите пылесборник (6) с шасси (17), как показано на Рис. I.
- ◆ Разместите пылесборник над мусорной корзиной и нажмите на отпирающую кнопку дверцы пылесборника (6a), чтобы опорожнить пылесборник, как показано на Рис. J.
- ◆ Возьмитесь за фильтр предварительной очистки (18) указательным и большим пальцами и

извлеките фильтр предварительной очистки (18) из пылесборника (6), как показано на Рис. К.

Примечание: Корпус фильтра плотно входит в пылесборник и может с трудом поддаваться извлечению.

- ◆ Опорожните пылесборник.
- ◆ Установите фильтр предварительной очистки (18) в пылесборник (6), убедившись, что ушко пылесборника (20) совмещено с пазом фильтра предварительной очистки (19), как показано на Рис. К.
- ◆ Установите пылесборник на пылесос так, чтобы он встал на место со щелчком.

Извлечение фильтра (Рис. L)

- ◆ Поднимите и снимите пылесборник (6) с шасси (17), как показано на Рис. I.
- ◆ Разместите пылесборник над мусорной корзиной и нажмите на отпирающую кнопку дверцы пылесборника (6а), чтобы опорожнить пылесборник, как показано на Рис. J.
- ◆ Возьмитесь за корпус круга встряхивателя (21) и потяните его вверх, чтобы снять его.
- ◆ Извлеките фильтр (22) из корпуса круга встряхивателя (21), как показано на Рис. L.
- ◆ Вытряхните или аккуратно удалите щеткой остатки пыли в фильтре.
- ◆ Установите фильтр (22) в корпус круга встряхивателя (21).
- ◆ Установите корпус круга встряхивателя (21) в пылесборник так, чтобы он встал на место со щелчком.

Чистка фильтров

- ◆ Снятые с пылесборника фильтр и фильтр предварительной очистки следует вытряхнуть или аккуратно очистить от пыли щеткой.
- ◆ Промойте пылесборник (6) теплой мыльной водой.
- ◆ Промойте фильтры теплой мыльной водой.
- ◆ Перед повторной установкой убедитесь, что оба фильтра полностью высохли (24 ч).
- ◆ При сборке следуйте инструкциям в разделах «Извлечение фильтра предварительной очистки» и «Извлечение фильтра».

Примечание: Оптимальная сборка пыли может быть достигнута только при наличии чистых фильтров и пустого пылесборника.

Если пыль начинает выпадать из изделия после выключения, то это означает, что пылесборник переполнен и нуждается в опорожнении или где-то возник засор.

- ◆ Регулярно промывайте фильтры теплой, мыльной водой и убедитесь, что они полностью высохли перед тем, как использовать их снова. Чем чище фильтр, тем лучше будет работать изделие.

- ◆ Крайне важно полностью высушить и правильно установить фильтры перед использованием.

Извлечение и чистка вращающихся щеток (Рис. M)

Внимание! Для снижения риска получения травм от движущихся частей, отсоедините батарею перед очисткой или обслуживанием.

- ◆ Чтобы извлечь вращающуюся щетку (23) из насадки для пола (8), нажмите на отпирающую кнопку (24), как показано на рисунке M.
- ◆ Поднимите вращающуюся щетку из ее зафиксированного положения.
- ◆ Теперь вращающуюся щетку (23) можно извлечь.
- ◆ Очистите вращающуюся щетку и установите ее на место. Убедитесь, что она зафиксирована на месте, перед тем, как приступить к работе.

Хранение

Прибор можно безопасно хранить на зарядной базе (5а), как показано на Рис. N.

Техническое обслуживание

Ваше аккумуляторный прибор BLACK+DECKER рассчитано на длительный срок эксплуатации и требует минимальных затрат на техобслуживание. Срок службы и надежность прибора увеличивается при правильном уходе и регулярной чистке.

Внимание! Перед проведением технического обслуживания аккумуляторных приборов:

- ◆ Извлеките батарею.
- ◆ Перед чисткой зарядного устройства отключите его от источника питания. Зарядное устройство не требует никакого технического обслуживания кроме регулярной чистки.
- ◆ Регулярно очищайте вентиляционные отверстия прибора/зарядного устройства с помощью мягкой щетки или сухой тканевой салфетки.
- ◆ Регулярно очищайте корпус двигателя с помощью влажной салфетки. Не используйте никакие абразивные чистящие средства или средства на основе растворителей.

Замена фильтров

Фильтры необходимо заменять каждые 6–9 месяцев или в случае обнаружения повреждений или износа. Запасные фильтры можно приобрести у продавца BLACK+DECKER.

- ◆ Для извлечения старых фильтров следуйте приведенному выше порядку действий.
- ◆ Для установки новых фильтров соблюдайте приведенные выше инструкции.

Поиск и устранение неполадок

Неисправность	Возможная причина	Возможное решение
Прибор не включается.	Аккумуляторная батарея разряжена.	Проверьте требования по зарядке аккумуляторной батареи.
	Засорение.	Проверьте трубу насадки для пола.
		Проверьте удлинительную трубу.
		Проверьте участок между удлинительной трубой и пылесборником
Вращающаяся щетка перестала работать.	Препятствие.	Прибор оснащен функцией защиты вращающейся щетки от перегрузки. Извлеките и очистите вращающуюся щетку от мусора и препятствий
Аккумуляторная батарея не заряжается.	Зарядное устройство не подключено к сети.	Подключите зарядное устройство к рабочей розетке. См. подробную информацию в «Важных замечаниях по зарядке».
	Температура окружающей среды слишком высокая или слишком низкая	Переместите зарядное устройство и аккумуляторную батарею в место с температурой выше 4 °C и ниже +40 °C.

Технические характеристики

	ВНFEV182B*	ВНFEV182C	ВНFEV182CP
Напряжение	18	18	18
Ватт-час		36	36
Вес	2,8	3,17	3,23
Аккумуляторная батарея		BL2018	BL2018
Зарядное устройство	S010**2400040 / SSC-250040**	S010**2400040 / SSC-250040**	S010**2400040 / SSC-250040**
Приблизительное время зарядки		5 ч	5 ч

* ВНFEV182В является отдельным прибором и не поставляется в комплекте с батареей или зарядным устройством.

Гарантия

Компания Black & Decker с уверенностью в качестве своей продукции предлагает клиентам гарантию на 24 месяцев с момента покупки. Данная гарантия является дополнительной и ни в коей мере не направлена на ущемление Ваших юридических прав. Гарантия действует на территории стран-участниц Европейского союза и в Европейской зоне свободной торговли.

Чтобы подать заявку по гарантии, заявка должна соответствовать положениям и условиям Black & Decker; кроме того, Вам потребуется предъявить продавцу или авторизованному специалисту по ремонту подтверждение покупки.

Положения и условия 2-летней гарантии Black & Decker и местонахождение ближайшего авторизованного специалиста по ремонту можно узнать через Интернет по адресу www.2helpU.com, или связавшись с местным представительством Black & Decker по адресу, указанному в данном руководстве.

Посетите наш веб-сайт www.blackanddecker.co.uk, чтобы зарегистрировать свое новое изделие Black & Decker и получать информацию о новинках и специальных предложениях.

Защита окружающей среды



Отдельная утилизация. Изделия и аккумуляторные батареи с данным символом на маркировке запрещается утилизировать с обычными бытовыми отходами.

Изделия и аккумуляторные батареи содержат материалы, которые могут быть извлечены или переработаны, снижая потребность в исходном сырье.

Пожалуйста, утилизируйте электрические изделия и аккумуляторные батареи в соответствии с местными нормами. Дополнительная информация доступна по адресу www.2helpU.com



Приложение к руководству по эксплуатации электрооборудования для определения месяца производства по номеру текущей календарной недели года

Электрооборудование торговых марок "Dewalt", "Stanley", "Stanley FatMAX", "BLACK+DECKER".

Директивы 2014/30/EU ЕВРОПЕЙСКОГО ПАРЛАМЕНТА И СОВЕТА от 26 февраля 2014 г. "О гармонизации законодательств Государств-членов ЕС в области электромагнитной совместимости", 2006/42/ЕС ЕВРОПЕЙСКОГО ПАРЛАМЕНТА И СОВЕТА от 17 мая 2006 г. "О машинах и оборудовании"; 2014/35/EU ЕВРОПЕЙСКОГО ПАРЛАМЕНТА И СОВЕТА от 26 февраля 2014 г. "О гармонизации законодательств государств-членов в области размещения на рынке электрооборудования, предназначенного для использования в определенных пределах напряжения". Серийный выпуск.

ТОВАР СЕРТИФИЦИРОВАН

Орган по сертификации "РОСТЕСТ- Москва", Адрес: 119049, г. Москва, улица Житная, д. 14, стр. 1; 117418, Москва, Нахимовский просп., 31 (фактический), Телефон: (499) 1292311, (495) 6682893, Факс: (495) 6682893, E-mail: office@rostest.ru
Изготовитель: Изготовитель: Блэк энд Деккер Холдингс ГмбХ, Германия, 65510, Идштайн, ул. Блэк энд Деккер, 40, тел. +496126212790.

Уполномоченное изготовителем юр.лицо:

ООО "Стэнли Блэк энд Деккер", 117485, город Москва, улица Обручева, дом 30/1, строение 2
Телефон: + 7 (495) 258-3981, факс: + 7 (495) 258-3984, E-mail: inbosh@dewalt.com
Сведения о импортере указаны в сопроводительной документации и/или на упаковке

Хранение.

Необходимо хранить в сухом месте, вдали от источников повышенных температур и воздействия солнечных лучей. При хранении необходимо избегать резкого перепада температур. Хранение без упаковки не допускается

Срок службы.

Срок службы изделия составляет 5 лет. Не рекомендуется к эксплуатации по истечении 5 лет хранения с даты изготовления без предварительной проверки.

Дата изготовления (код даты) указана на корпусе инструмента.

Код даты, который также включает год изготовления, оштампован на поверхности корпуса изделия.

Пример:

2014 46 XX, где 2014 –год изготовления, 46-неделя изготовления.

Определить месяц изготовления по указанной неделе изготовления можно согласно приведенной ниже таблице.

Транспортировка.

Категорически не допускается падение и любые механические воздействия на упаковку при транспортировке. При разгрузке/погрузке не допускается использование любого вида техники, работающей по принципу зажима упаковки.

Перечень критических отказов, возможные ошибочные действия персонала.

Не допускается эксплуатация изделия:

- При появлении дыма из корпуса изделия
- При повреждении и/или оголенном сетевом кабеле
- при повреждении корпуса изделия, защитного кожуха, рукоятки
- при попадании жидкости в корпус
- при возникновении сильной вибрации
- при возникновении сильного искрения внутри корпуса

Критерии предельных состояний.

- При поврежденном и/или оголенном сетевом кабеле
- при повреждении корпуса изделия

Месяц	Январь	Февраль	Март	Апрель	Май	Июнь	Июль	Август	Сентябрь	Октябрь	Ноябрь	Декабрь	Год производства
Неделя	1	5	9	14	18	23	27	31	36	40	44	49	2018
	2	6	10	15	19	24	28	32	37	41	45	50	
	3	7	11	16	20	25	29	33	38	42	46	51	
	4	8	12	17	21	26	30	34	39	43	47	52	
Неделя			13		22			35				48	2019
	1	6	10	14	18	23	27	31	36	40	45	49	
	2	7	11	15	19	24	28	32	37	41	46	50	
	3	8	12	16	20	25	29	33	38	42	47	51	
	4	9	13	17	21	26	30	34	39	43	48	52	
Неделя					22			35		44			2020
	1	6	10	14	19	23	27	32	36	40	45	49	
	2	7	11	15	20	24	28	33	37	41	46	50	
	3	8	12	16	21	25	29	34	38	42	47	51	
	4	9	13	17	22	26	30	35	39	43	48	52	
Неделя				18			31			44			2021
	2	6	10	14	19	23	27	32	36	41	45	49	
	3	7	11	15	20	24	28	33	37	42	46	50	
	4	8	12	16	21	25	29	34	38	43	47	51	
	5	9	13	17	22	26	30	35	39	44	48	52	
Неделя					18				40			1	2022
	2	6	10	15	19	23	28	32	36	41	45	49	
	3	7	11	16	20	24	29	33	37	42	46	50	
	4	8	12	17	21	25	30	34	38	43	47	51	
	5	9	13	18	22	26	31	35	39	44	48	52	
			14				27			40		1	

**BLACK+
DECKER****ГАРАНТИЙНЫЙ ТАЛОН****2 ГОДА
ГАРАНТИИ**

1. Поздравляем Вас с покупкой высококачественного изделия Black+Decker и выражаем признательность за Ваш выбор.
2. При покупке изделия требуйте проверки его комплектности и исправности в Вашем присутствии, инструкцию по эксплуатации и заполненный Гарантийный талон на русском языке. В гарантийном талоне должны быть внесены: модель, дата продажи, серийный номер, дата производства инструмента; название, печать и подпись торговой организации. При отсутствии у Вас правильно заполненного Гарантийного талона, а также несоответствия указанных в нем данных, мы будем вынуждены отклонить Ваши претензии по качеству данного изделия.
3. Во избежание недоразумений, убедительно просим Вас перед началом работы с изделием внимательно ознакомиться с инструкцией по его эксплуатации. Правовой основой настоящих гарантийных условий является действующее Законодательство. Гарантийный срок на данное изделие составляет 24 месяцев и исчисляется со дня продажи. В случае устранения недостатков изделия, гарантийный срок продлевается на период его нахождения в ремонте. Срок службы изделия составляет 5 лет со дня продажи.
4. В случае возникновения каких-либо проблем в процессе эксплуатации изделия рекомендуем Вам обращаться только в уполномоченные сервисные центры Black+Decker, адреса и телефоны которых Вы сможете найти на сайте www.2helpU.com или узнать в магазине. Наши сервисные станции - это не только квалифицированный ремонт, но и широкий ассортимент запчастей и принадлежностей.
5. Производитель рекомендует проводить периодическую проверку и техническое обслуживание изделия в уполномоченных сервисных центрах.
6. Наши гарантийные обязательства распространяются только на неисправности, выявленные в течение гарантийного срока и вызванные дефектами производства и / или материалов.
7. Гарантийные условия не распространяются на неисправности изделия, возникшие в результате:
 - 7.1. Несоблюдения пользователем предписаний инструкции по эксплуатации изделия, применения изделия не по назначению, неправильном хранении, использовании принадлежностей, расходных материалов и запчастей, не предусмотренных производителем.
 - 7.2. Механического повреждения (сколы, трещины и разрушения) внутренних и внешних деталей изделия, основных и вспомогательных рукояток, сетевого электрического кабеля, вызванного внешним ударным или любым иным воздействием.
 - 7.3. Попадания в вентиляционные отверстия и проникновение внутрь изделия посторонних предметов, материалов или веществ, не являющихся отходами, сопровождающими применение изделия по назначению, такими как: стружка, опилки, песок, и пр.
 - 7.4. Воздействий на изделие неблагоприятных атмосферных и иных внешних факторов, таких как дождь, снег, повышенная влажность, нагрев, агрессивные среды, несоответствие параметров питающей электросети, указанных на инструменте.
 - 7.5. Стихийного бедствия. Повреждение или утрата изделия, связанное с непредвиденными бедствиями, стихийными явлениями, в том числе вследствие действия непреодолимой силы (пожар, молния, потоп и другие природные явления), а также вследствие перепадов напряжения в электросети и других причин, которые находятся вне контроля производителя.
8. Гарантийные условия не распространяются:
 - 8.1. На инструменты, подвергавшиеся вскрытию, ремонту или модификации вне уполномоченного сервисного центра.
 - 8.2. На детали и узлы, имеющие следы естественного износа, такие как: приводные ремни и колеса, угольные щетки, смазка, подшипники, зубчатое зацепление редукторов, резиновые уплотнения, сальники, направляющие ролики, муфты сцепления, бойки, толкатели, стволы, и т.п.
 - 8.3. На сменные и расходные части: цанги, зажимные гайки и фланцы, фильтры, ножи, шлифовальные подошвы, цепи, звездочки, пыльные шины, защитные кожухи, пилки, абразивы, пыльные и абразивные диски, фрезы, сверла, буры и т.п.
 - 8.4. На неисправности, возникшие в результате перегрузки инструмента (как механической, так и электрической), повлекшей выход из строя одновременно двух и более деталей и узлов, таких как ротора и статора, обеих обмоток статора, ведомой и ведущей шестерни редуктора или других узлов и деталей. К безусловным признакам перегрузки изделия относятся, помимо прочего: появление цветов побежалости, деформация или оплавление деталей и узлов изделия, потемнение или облуживание изоляции проводов электродвигателя под воздействием высокой температуры.

Товар получен в исправном состоянии, без видимых повреждений, в полной комплектации, проверен в моем присутствии, претензий по качеству товара не имею. С условиями гарантийного обслуживания ознакомлен и согласен.

Ф. И. О. и подпись покупателя _____

Уважаемые клиенты, наша сеть авторизованных сервисных центров постоянно расширяется. Актуальную информацию об обслуживании в интересующем вас городе вы можете узнать на сайте

www.2helpU.com

Информация об инструменте

Наименование инструмента	
Модель	
Наименование продавца	
Дата продажи	

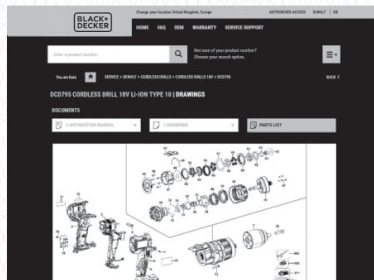
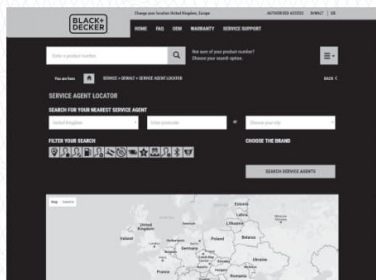
Серийный номер / Дата производства

Инструмент	
Зарядное устройство	
Аккумулятор 1	
Аккумулятор 2	

М.П.
Продавца

На сайте www.2helpU.com доступны следующие функции:

- Список авторизованных сервисных центров
- Удобный поиск ближайшего сервисного центра
- Руководство по эксплуатации
- Технические характеристики
- Список деталей и запасных частей
- Схема сборки инструмента



**Также данную информацию вы можете получить, позвонив по телефону:
8(800) 1000 876**

ОТМЕТКА О ПРОВЕДЕНИИ СЕРВИСНОГО ОБСЛУЖИВАНИЯ

№1	№2	№3	№4
№ заказа	№ заказа	№ заказа	№ заказа
Дата поступления	Дата поступления	Дата поступления	Дата поступления
Дата ремонта	Дата ремонта	Дата ремонта	Дата ремонта
Печать и подпись сервисного центра	Печать и подпись сервисного центра	Печать и подпись сервисного центра	Печать и подпись сервисного центра

