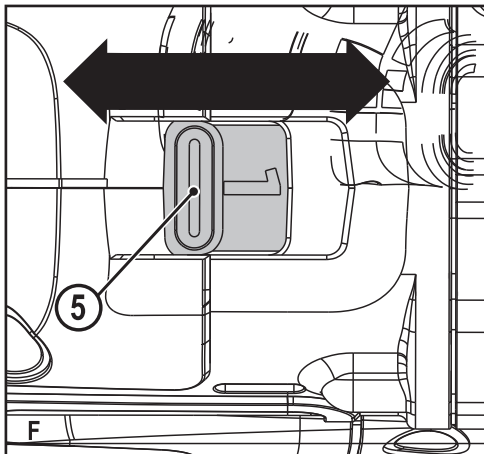
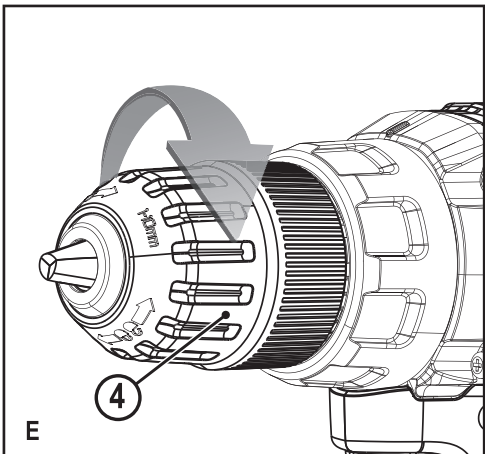
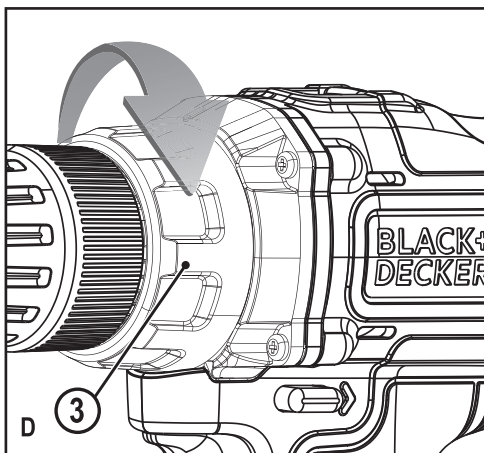
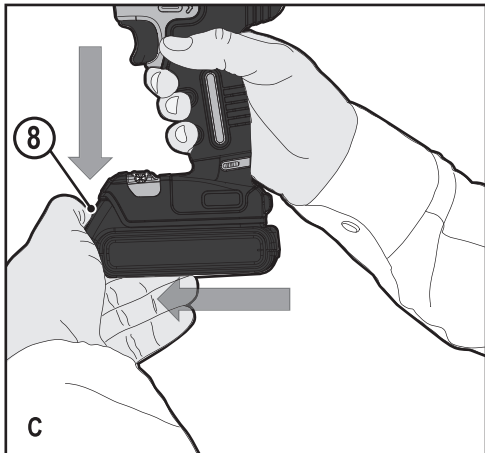
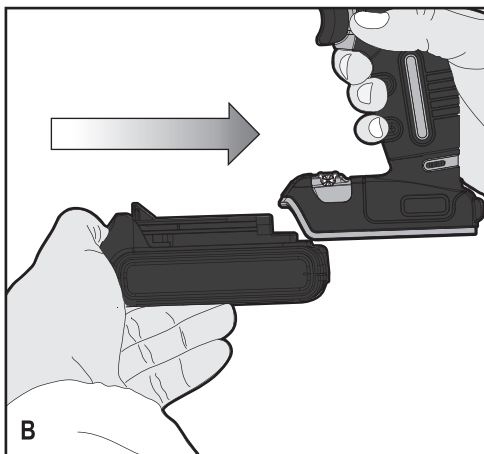
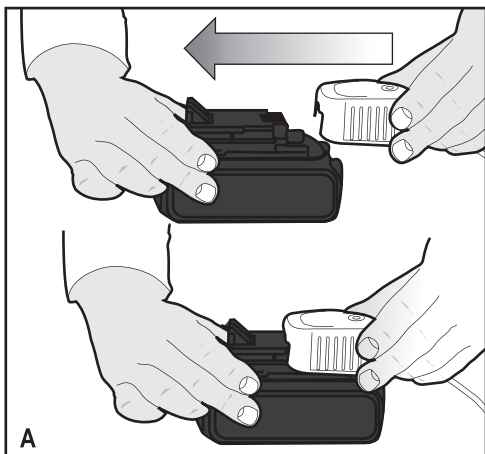


<b>English</b>	<b>(Original instructions)</b>	<b>4</b>
<b>Deutsch</b>	<b>(Übersetzung der Originalanleitung)</b>	<b>11</b>
<b>Français</b>	<b>(Traduction des instructions d'origine)</b>	<b>19</b>
<b>Česky</b>	<b>(Přeloženo z původního návodu)</b>	<b>27</b>
<b>Magyar</b>	<b>(Fordítás az eredeti kezelési utasítás alapján készült)</b>	<b>35</b>
<b>Polski</b>	<b>(Tłumaczenie oryginalnej instrukcji)</b>	<b>43</b>
<b>Slovenčina</b>	<b>(Preložené z pôvodného návodu)</b>	<b>52</b>
<b>Русский язык</b>	<b>(Перевод с оригинала инструкции)</b>	<b>60</b>
<b>Українська</b>	<b>(Переклад оригінальних інструкцій)</b>	<b>70</b>
<b>Türkçe</b>	<b>(Çevirisi orijinal talimatlardan yapılmıştır)</b>	<b>80</b>



## Intended use

Your BLACK+DECKER BDCDD186 - Drill, has been designed for screwdriving applications and for drilling in wood, metal and plastic. This tool is intended for consumer use only.

## Safety instructions

### General power tool safety warnings



**Warning! Read all safety warnings and all instructions.** Failure to follow the warnings and instructions listed below may result in electric shock, fire and/or serious injury.

**Save all warnings and instructions for future reference.** The term “power tool” in all of the warnings listed below refers to your mains operated (corded) power tool or battery operated (cordless) power tool.

#### 1. Work area safety

- a. **Keep work area clean and well lit.** Cluttered or dark areas invite accidents.
- b. **Do not operate power tools in explosive atmospheres, such as in the presence of flammable liquids, gases or dust.** Power tools create sparks which may ignite the dust or fumes.
- c. **Keep children and bystanders away while operating a power tool.** Distractions can cause you to lose control.


#### 2. Electrical safety

- a. **Power tool plugs must match the outlet. Never modify the plug in any way. Do not use any adapter plugs with earthed (grounded) power tools.** Unmodified plugs and matching outlets will reduce risk of electric shock.
- b. **Avoid body contact with earthed or grounded surfaces such as pipes, radiators, ranges and refrigerators.** There is an increased risk of electric shock if your body is earthed or grounded.
- c. **Do not expose power tools to rain or wet conditions.** Water entering a power tool will increase the risk of electric shock.
- d. **Do not abuse the cord. Never use the cord for carrying, pulling or unplugging the power tool. Keep cord away from heat, oil, sharp edges or moving parts.** Damaged or entangled cords increase the risk of electric shock.

- e. **When operating a power tool outdoors, use an extension cord suitable for outdoor use.** Use of a cord suitable for outdoor use reduces the risk of electric shock.
- f. **If operating a power tool in a damp location is unavoidable, use a residual current device (RCD) protected supply.** Use of an RCD reduces the risk of electric shock.

#### 3. Personal safety

- a. **Stay alert, watch what you are doing and use common sense when operating a power tool. Do not use a power tool while you are tired or under the influence of drugs, alcohol or medication.** A moment of inattention while operating power tools may result in serious personal injury.
  - b. **Use personal protective equipment. Always wear eye protection.** Protective equipment such as dust mask, non-skid safety shoes, hard hat, or hearing protection used for appropriate conditions will reduce personal injuries.
  - c. **Prevent unintentional starting. Ensure the switch is in the off-position before connecting to power source and/or battery pack, picking up or carrying the tool.** Carrying power tools with your finger on the switch or energising power tools that have the switch on invites accidents.
  - d. **Remove any adjusting key or wrench before turning the power tool on.** A wrench or a key left attached to a rotating part of the power tool may result in personal injury.
  - e. **Do not overreach. Keep proper footing and balance at all times.** This enables better control of the power tool in unexpected situations.
  - f. **Dress properly. Do not wear loose clothing or jewellery. Keep your hair, clothing and gloves away from moving parts.** Loose clothes, jewellery or long hair can be caught in moving parts.
  - g. **If devices are provided for the connection of dust extraction and collection facilities, ensure these are connected and properly used.** Use of dust collection can reduce dust-related hazards.
- #### 4. Power tool use and care
- a. **Do not force the power tool. Use the correct power tool for your application.** The correct power tool will do the job better and safer at the rate for which it was designed.

- b. Do not use the power tool if the switch does not turn it on and off.** Any power tool that cannot be controlled with the switch is dangerous and must be repaired.
- c. Disconnect the plug from the power source and/or the battery pack from the power tool before making any adjustments, changing accessories, or storing power tools.** Such preventive safety measures reduce the risk of starting the power tool accidentally.
- d. Store idle power tools out of the reach of children and do not allow persons unfamiliar with the power tool or these instructions to operate the power tool.** Power tools are dangerous in the hands of untrained users.
- e. Maintain power tools. Check for misalignment or binding of moving parts, breakage of parts and any other condition that may affect the power tools operation. If damaged, have the power tool repaired before use.** Many accidents are caused by poorly maintained power tools.
- f. Keep cutting tools sharp and clean.** Properly maintained cutting tools with sharp cutting edges are less likely to bind and are easier to control.
- g. Use the power tool, accessories and tool bits etc. in accordance with these instructions, taking into account the working conditions and the work to be performed.** Use of the power tool for operations different from those intended could result in a hazardous situation.
- 5. Battery tool use and care**
- a. Recharge only with the charger specified by the manufacturer.** A charger that is suitable for one type of battery pack may create a risk of fire when used with another battery pack.
- b. Use power tools only with specifically designated battery packs.** Use of any other battery packs may create a risk of injury and fire.
- c. When battery pack is not in use, keep it away from other metal objects, like paper clips, coins, keys, nails, screws, or other small metal objects, that can make a connection from one terminal to another.** Shorting the battery terminals together may cause burns or a fire.
- d. Under abusive conditions, liquid may be ejected from the battery; avoid contact. If contact accidentally occurs, flush with water. If liquid contacts eyes, additionally seek medical help.** Liquid ejected from the battery may cause irritation or burns.
- 6. Service**
- a. Have your power tool serviced by a qualified repair person using only identical replacement parts.** This will ensure that the safety of the power tool is maintained.
- Additional power tool safety warnings**
-  **Warning!** Additional safety warnings for drills
- ◆ **Use auxiliary handles supplied with the tool.** Loss of control can cause personal injury.
  - ◆ **Hold power tool by insulated gripping surfaces when performing an operation where the cutting accessory may contact hidden wiring.** Cutting accessory contacting a “live” wire may make exposed metal parts of the power tool “live” and could give the operator an electric shock.
  - ◆ **Hold power tool by insulated gripping surfaces, when performing an operation where the fastener may contact hidden wiring.** Fasteners contacting a “live” wire may make exposed metal parts of the power tool “live” and could give the operator an electric shock.
  - ◆ **Use clamps or another practical way to secure and support the workpiece to a stable platform.** Holding the work by hand or against your body leaves it unstable and may lead to loss of control.
  - ◆ Before drilling into walls, floors or ceilings, check for the location of wiring and pipes.
  - ◆ Avoid touching the tip of a drill bit just after drilling, as it may be hot.
  - ◆ The intended use is described in this instruction manual. The use of any accessory or attachment or performance of any operation with this tool other than those recommended in this instruction manual may present a risk of personal injury and/or damage to property.
- Safety of others**
- ◆ This tool is not intended for use by persons (including children) with reduced physical,

sensory or mental capabilities, or lack of experience and knowledge, unless they have been given supervision or instruction concerning use of the tool by a person responsible for their safety.

- ◆ Children should be supervised to ensure that they do not play with the appliance.

## Residual risks

Additional residual risks may arise when using the tool which may not be included in the enclosed safety warnings. These risks can arise from misuse, prolonged use etc.

Even with the application of the relevant safety regulations and the implementation of safety devices, certain residual risks can not be avoided. These include:

- ◆ Injuries caused by touching any rotating/moving parts.
- ◆ Injuries caused when changing any parts, blades or accessories.
- ◆ Injuries caused by prolonged use of a tool. When using any tool for prolonged periods ensure you take regular breaks.
- ◆ Impairment of hearing.
- ◆ Health hazards caused by breathing dust developed when using your tool (example:- working with wood, especially oak, beech and MDF.)

## Vibration

The declared vibration emission values stated in the technical data and the declaration of conformity have been measured in accordance with a standard test method provided by EN 60745 and may be used for comparing one tool with another. The declared vibration emission value may also be used in a preliminary assessment of exposure.

**Warning!** The vibration emission value during actual use of the power tool can differ from the declared value depending on the ways in which the tool is used. The vibration level may increase above the level stated.

When assessing vibration exposure to determine safety measures required by 2002/44/EC to protect persons regularly using power tools in employment, an estimation of vibration exposure should consider, the actual conditions of use and the way the tool is used, including taking account of all parts of the operating cycle such as the

times when the tool is switched off and when it is running idle in addition to the trigger time.

## Labels on tool

The following symbols are shown on the tool along with the date code:



**Warning!** To reduce the risk of injury, the user must read the instruction manual.

## Additional safety instructions for batteries and chargers (Not provided with the tool)

### Batteries

- ◆ Never attempt to open for any reason.
- ◆ Do not expose the battery to water.
- ◆ Do not store in locations where the temperature may exceed 40 °C.
- ◆ Charge only at ambient temperatures between 10 °C and 40 °C.
- ◆ Charge only using the charger provided with the tool.
- ◆ When disposing of batteries, follow the instructions given in the section "Protecting the environment".



Do not attempt to charge damaged batteries.

### Chargers

- ◆ Use your BLACK+DECKER charger only to charge the battery in the tool with which it was supplied. Other batteries could burst, causing personal injury and damage.
- ◆ Never attempt to charge non-rechargeable batteries.
- ◆ Have defective cords replaced immediately.
- ◆ Do not expose the charger to water.
- ◆ Do not open the charger.
- ◆ Do not probe the charger.



The charger is intended for indoor use only.



Read the instruction manual before use.

## Electrical safety



Your charger is double insulated; therefore no earth wire is required. Always check that the mains voltage corresponds to the voltage on the rating plate. Never attempt to replace the charger unit with a regular mains plug.

- ◆ If the supply cord is damaged, it must be replaced by the manufacturer or an authorised BLACK+DECKER Service Centre in order to avoid a hazard.

## Features

This tool includes some or all of the following features.

1. Variable speed switch
2. Forward/reverse slider
3. Torque adjustment collar
4. Keyless chuck
5. Dual range gearing
6. LED work light
7. Battery
8. Battery release button
9. Screwdriver bit holder

## Assembly

**Warning!** Let the tool work at its own pace. Do not overload.

## Charging the battery (fig. A)

The battery needs to be charged before first use and whenever it fails to produce sufficient power on jobs that were easily done before. The battery may become warm while charging; this is normal and does not indicate a problem.

**Warning!** Do not charge the battery at ambient temperatures below 10 °C or above 40 °C. Recommended charging temperature: approx. 24 °C.

**Note: The charger will not charge a battery if the cell temperature is below approximately 10 °C or above 40 °C. The battery should be left in the charger and the charger will begin to charge automatically when the cell temperature warms up or cools down.**

- ◆ Plug the charger into any standard 230 Volts 50 Hz electrical outlet.
- ◆ Slide the battery pack into the charger as shown in fig. A.
- ◆ The green LED will flash indicating that the battery is being charged.
- ◆ The completion of charge is indicated by the green LED remaining on continuously. The pack is fully charged and may be used at this time or left on the charger.

**Warning!** fire Hazard. When disconnecting the charger from the tool, be sure to unplug the charger from the outlet first, then disconnect the charger cord from the tool.

## Installing and removing the battery pack from the tool (fig. B)

**Warning!** Make certain the lock-off button is engaged to prevent switch actuation before removing or installing battery.

To install battery pack:

- ◆ Insert battery pack into tool, until an audible click is heard (fig. B)

## Removing the battery pack from the tool (fig. C)

- ◆ Depress the battery release button as shown in (fig. C) and pull battery pack out of tool.

## Operating Instructions

### Trigger switch & reversing button

- ◆ The drill is turned ON and OFF by pulling and releasing the trigger switch (1). The farther the trigger is depressed, the higher the speed of the drill.
- ◆ A forward/reverse control button (2) determines the direction of the tool and also serves as a lock off button.
- ◆ To select forward rotation, release the trigger switch and depress the forward/reverse control button to the left.
- ◆ To select reverse, depress the forward/reverse control button the opposite direction.

**Note:** The center position of the control button locks the tool in the off position. When changing the position of the control button, be sure the trigger is released.

### Torque control (fig. D)

This tool is fitted with a torque adjustment collar (3) to select the operating mode and to set the torque for tightening screws. Large screws and hard workpiece materials require a higher torque setting than small screws and soft workpiece materials.

- ◆ For drilling in wood, metal and plastics, set the collar to the drilling position symbol
- ◆ For screwdriving, set the collar to the desired setting. If you do not yet know the appropriate setting, proceed as follows:
- ◆ Set the collar to the lowest torque setting.
- ◆ Tighten the first screw.
- ◆ If the clutch ratchets before the desired result is achieved, increase the collar setting and continue tightening the screw. Repeat until you reach the correct setting. Use this setting for the remaining screws.

### Keyless chuck (fig. E)

**Warning!** Make certain the lock-off button is engaged to prevent switch actuation before installing or removing accessories.

To insert a drill bit or other accessory:

- ◆ Grasp the rear half of the chuck (4) with one hand and use your other hand to rotate the front half in the counterclockwise direction, as viewed from the chuck end.
- ◆ Insert the bit or other accessory fully into the chuck, and tighten securely by holding the rear half of the chuck and rotating the front portion in the clockwise direction as viewed from the chuck end.

**Warning!** Do not attempt to tighten drill bits (or any other accessory) by gripping the front part of the chuck and turning the tool on. Damage to the chuck and personal injury may occur when changing accessories.

### Dual range gearing (Figure F)

The dual range feature of your drill allows you to shift gears for greater versatility. To select low speed, high torque setting (position 1), turn tool off and permit to stop. Slide gear shifter button (5) away from the chuck. To select the high speed, low torque setting (position 2), turn tool off and permit to stop. Slide gear shifter button towards the chuck.

**Note:** Do not change gears when tool is running. If you are having trouble changing gears, make sure that the dual range gear button is either completely pushed forward or completely pushed back.

### Drilling/screwdriving

- ◆ Select forward or reverse rotation using the forward/reverse slider (2).
- ◆ To switch the tool on, press the switch (1). The tool speed depends on how far you press the switch.
- ◆ To switch the tool off, release the switch.

### Hints for optimum use

#### Drilling

- ◆ Use sharp drill bits only.
- ◆ Support and secure work properly, as instructed in the Safety Instructions.
- ◆ Use appropriate and required safety equipment, as instructed in the Safety Instructions.
- ◆ Secure and maintain work area, as instructed in the Safety Instructions.

- ◆ Run the drill very slowly, using light pressure, until the hole is started enough to keep the drill bit from slipping out of it.
- ◆ Apply pressure in a straight line with the bit. Use enough pressure to keep the bit biting but not so much as to stall the motor or deflect the bit.
- ◆ Hold the drill firmly with two hands to control its twisting action.
- ◆ **DO NOT CLICK THE TRIGGER OF A STALLED DRILL OFF AND ON IN AN ATTEMPT TO START IT. DAMAGE TO THE DRILL CAN RESULT.**
- ◆ Minimize stalling on breakthrough by reducing pressure and slowly drilling through the last part of the hole.
- ◆ Keep the motor running while pulling the bit out of a drilled hole. This will help reduce jamming.
- ◆ Make sure switch turns drill on and off.

### Drilling in wood

Holes in wood can be made with the same twist drill bits used for metal or with spade bits. These bits should be sharp and should be pulled out frequently when drilling to clear chips from the flutes.

### Drilling in metal

Use a cutting lubricant when drilling metals. The exceptions are cast iron and brass which should be drilled dry. The cutting lubricants that work best are sulfurized cutting oil or lard oil.

### Screwdriving

- ◆ Always use the correct type and size of screwdriver bit.
- ◆ If screws are difficult to tighten, try applying a small amount of washing liquid or soap as a lubricant.
- ◆ Always hold the tool and screwdriver bit in a straight line with the screw

### Troubleshooting

Problem	Possible cause	Possible solution
Unit will not start.	Battery pack not charged.	Check battery pack charging requirements



Problem	Possible cause	Possible solution
Battery pack will not charge.	Charger not plugged in.	Plug charger into a working outlet.
	Surrounding air temperature too hot or too cold.	Move charger and battery pack to a surrounding air temperature of above 40 degrees F (4.5 °C) or below 105 degrees F (+40.5 °C)
Unit shuts off abruptly.	Battery pack has reached its maximum thermal limit.	Allow battery pack to cool down.
	Out of charge. (To maximize the life of the battery pack it is designed to shutoff abruptly when the charge is depleted	Place on charger and allow to charge.

## Maintenance

Your BLACK+DECKER tool has been designed to operate over a long period of time with a minimum of maintenance. Continuous satisfactory operation depends upon proper tool care and regular cleaning.

Your charger does not require any maintenance apart from regular cleaning.

**Warning!** Before performing any maintenance on the tool, remove the battery from the tool. Unplug the charger before cleaning it.

- ◆ Regularly clean the ventilation slots in your tool and charger using a soft brush or dry cloth.
- ◆ Regularly clean the motor housing using a damp cloth. Do not use any abrasive or solvent-based cleaner.
- ◆ Regularly open the chuck and tap it to remove any dust from the interior.

## Protecting the environment



Separate collection. Products and batteries marked with this symbol must not be disposed of with normal household waste.

Products and batteries contain materials that can be recovered or recycled, reducing demand for raw materials. Please recycle electrical products and batteries according to local provisions.

Further information is available at [www.2helpU.com](http://www.2helpU.com).

## Technical data

BDCDD186	
Voltage	$V_{DC}$ 18
No-load speed	$Min^{-1}$ 0 - 360 / 0 - 1400
Max. torque	Nm 17.5 / 40
Chuck capacity	mm 1 - 10
Max Drilling capacity	
Steel/wood	mm 10 / 25
Weight	kg 0.84 (with battery 1.24)

Charger 905898**	
Input voltage	$V_{AC}$ 230
Output voltage	$V_{DC}$ 18
Current	mA 200
Approx. charge time	Hours 8 - 20

Charger 905902**	
Input voltage	$V_{AC}$ 230
Output voltage	$V_{DC}$ 18
Current	mA 400
Approx. charge time	Hours 4 - 10

Charger 905998**	
Input voltage	$V_{AC}$ 230
Output voltage	$V_{DC}$ 18
Current	Amp 1
Approx. charge time	Hours 1.5 - 4

Battery BL1518	
Voltage	$V_{AC}$ 18
Capacity	Ah 1.5
Type	Li-Ion

Battery BL2018	
Voltage	$V_{AC}$ 18
Capacity	Ah 2.0
Type	Li-Ion

Battery BL4018	
Voltage	$V_{AC}$ 18
Capacity	Ah 4.0
Type	Li-Ion

Level of sound pressure according to EN 60745:	
Sound pressure ( $L_{pA}$ )	65.2 dB(A), uncertainty (K) 3 dB(A),
Sound power ( $L_{WA}$ )	76.2 dB(A), uncertainty (K) 3 dB(A)

Vibration total values (triax vector sum) according to EN 60745:	
Drilling into metal ( $a_{h,D}$ )	<1.3 m/s <sup>2</sup> , uncertainty (K) 1.5 m/s <sup>2</sup> ,
Screwdriving without impact ( $a_{h,S}$ )	<0.6 m/s <sup>2</sup> , uncertainty (K) 1.5 m/s <sup>2</sup>

**EC declaration of conformity**  
MACHINERY DIRECTIVE



**BDCDD186 - Drill, Screwdriver** Black & Decker declares that these products described under "technical data" are in compliance with:  
2006/42/EC, EN 60745-1:2010,  
EN 60745-2-1:2010, EN 60745-2-2:2010.

These products also comply with Directive 2004/108/EC (until 19/04/2016) 2014/30/EU (from 20/04/2016) and 2011/65/EU. For more information, please contact Black & Decker at the following address or refer to the back of the manual.

The undersigned is responsible for compilation of the technical file and makes this declaration on behalf of Black & Decker.

R. Laverick  
Engineering Manager  
Black & Decker Europe  
210 Bath Road, Slough  
Berkshire, SL1 3YD  
United Kingdom  
01/12/2015

**Guarantee**

Black & Decker is confident of the quality of its products and offers consumers a 24 month guarantee from the date of purchase. This guarantee is in addition to and in no way prejudices your statutory rights. The guarantee is valid within the territories of the Member States of the European Union and the European Free Trade Area.

To claim on the guarantee, the claim must be in accordance with Black & Decker Terms and Conditions and you will need to submit proof of purchase to the seller or an authorised repair agent.

Terms and conditions of the Black & Decker 2 year guarantee and the location of your nearest authorised repair agent can be obtained on the Internet at **www.2helpU.com**, or by contacting your local Black & Decker office at the address indicated in this manual.

Please visit our website **www.blackanddecker.co.uk** to register your new Black & Decker product and receive updates on new products and special offers.

## Verwendungszweck

Ihr BLACK+DECKER BDCDD186 Akku-Bohrschrauber ist für Schraub- und Bohrarbeiten in Holz, Metall und Kunststoff ausgelegt. Dieses Gerät ist nicht für den gewerblichen Einsatz vorgesehen.

## Sicherheitshinweise

### Allgemeine Sicherheitswarnungen für das Gerät



**Warnung! Lesen Sie alle Sicherheitswarnhinweise und alle Anweisungen.** Die Nichteinhaltung der folgenden Warnungen und Anweisungen kann einen elektrischen Schlag, Brand und/oder schwere Verletzungen verursachen.

**Bewahren Sie alle Sicherheitswarnungen und Anweisungen gut auf.** Der nachfolgend verwendete Begriff „Gerät“ bezieht sich auf netzbetriebene Geräte (mit Netzkabel) und auf akkubetriebene Geräte (ohne Netzkabel).

1. **Sicherheit im Arbeitsbereich**
  - a. **Halten Sie Ihren Arbeitsbereich sauber und gut ausgeleuchtet.** Unaufgeräumte oder dunkle Bereiche begünstigen Unfälle.
  - b. **Betreiben Sie das Gerät nicht in Umgebungen, in denen Explosionsgefahr z. B. aufgrund von brennbaren Flüssigkeiten, Gasen oder Staub besteht.** Geräte erzeugen Funken, die den Staub oder die Dämpfe entzünden können.
  - c. **Halten Sie Kinder und andere Personen während der Benutzung eines Geräts fern.** Bei Ablenkung können Sie die Kontrolle verlieren.
2. **Elektrische Sicherheit**
  - a. **Der Netzstecker des Geräts muss in die Steckdose passen. Ändern Sie niemals den Stecker in irgendeiner Form. Verwenden Sie keinerlei Adapterstecker an geerdeten Elektrogeräten.** Unveränderte Stecker und passende Steckdosen mindern die Gefahr eines elektrischen Schlags.
  - b. **Vermeiden Sie Körperkontakt mit geerdeten Oberflächen von Rohren, Heizungen, Herden und Kühlschränken.** Es besteht eine erhöhte Gefahr für einen elektrischen Schlag, wenn Ihr Körper geerdet ist.
- c. **Halten Sie Geräte von Regen und Nässe fern.** Das Eindringen von Wasser in ein Gerät erhöht das Risiko eines elektrischen Schlags.
- d. **Verwenden Sie das Kabel ordnungsgemäß. Verwenden Sie es niemals zum Tragen. Trennen Sie das Gerät nicht durch Ziehen am Kabel vom Netz. Halten Sie das Kabel fern von Hitze, Öl, scharfen Kanten oder beweglichen Teilen.** Beschädigte oder verhedderte Kabel erhöhen die Gefahr eines elektrischen Schlags.
- e. **Verwenden Sie nur für den Außenbereich zugelassene Verlängerungskabel, wenn Sie mit dem Gerät im Freien arbeiten.** Die Verwendung eines für den Außenbereich geeigneten Verlängerungskabels verringert das Risiko eines elektrischen Schlags.
- f. **Wenn das Gerät in einer feuchten Umgebung verwendet werden muss, schließen Sie es unbedingt an eine Steckdose mit Fehlerstromschutzschalter (FI-Schalter) an.** Ein Fehlerstromschutzschalter verringert das Risiko eines elektrischen Schlags.
3. **Sicherheit von Personen**
  - a. **Seien Sie aufmerksam, achten Sie darauf, was Sie tun, und gehen Sie sachgerecht mit einem Gerät um. Benutzen Sie kein Gerät, wenn Sie müde sind oder unter dem Einfluss von Drogen, Alkohol oder Medikamenten stehen.** Ein Moment der Unachtsamkeit beim Betrieb eines Geräts kann zu schweren Verletzungen führen.
  - b. **Verwenden Sie eine geeignete Schutzausrüstung. Tragen Sie immer einen Augenschutz.** Das Tragen persönlicher Schutzausrüstung, wie Staubmaske, rutschfeste Sicherheitsschuhe, Schutzhelm oder Gehörschutz, je nach Art und Einsatz des Geräts, verringert das Risiko von Verletzungen.
  - c. **Vermeiden Sie eine unbeabsichtigte Inbetriebnahme. Vergewissern Sie sich, dass das Gerät ausgeschaltet ist, bevor Sie es an eine Steckdose oder einen Akku anschließen, es hochheben oder tragen.** Wenn Sie beim Tragen des Geräts den Finger am Schalter haben oder das Gerät eingeschaltet an die Stromversorgung anschließen, kann dies zu Unfällen führen.
  - d. **Entfernen Sie Einstell- oder Schraubenschlüssel, bevor Sie das Gerät**

- einschalten.** Werkzeuge oder Schlüssel, die an rotierenden Teilen des Geräts angebracht sind, können zu Verletzungen führen.
- e. **Beugen Sie sich nicht zu weit nach vorne. Sorgen Sie für einen sicheren Stand und halten Sie jederzeit das Gleichgewicht.** Dadurch können Sie das Gerät in unerwarteten Situationen besser kontrollieren.
  - f. **Tragen Sie geeignete Kleidung. Tragen Sie keine weite Kleidung und keinen Schmuck. Halten Sie Ihre Haare, Kleidung und Handschuhe von beweglichen Teilen fern.** Lose sitzende Kleidung, Schmuck oder lange Haare können sich in den beweglichen Teilen verfangen.
  - g. **Falls Vorrichtungen zum Absaugen oder Auffangen von Staub vorhanden sind, vergewissern Sie sich, dass diese angeschlossen sind und richtig verwendet werden.** Das Verwenden einer Staubauffangvorrichtung verringert Gefährdungen durch Staub.
4. **Gebrauch und Pflege von Geräten**
    - a. **Überlasten Sie das Gerät nicht. Verwenden Sie das für Ihre Arbeit passende Gerät.** Das richtige Gerät wird die Aufgabe besser und sicherer erledigen, wenn es bestimmungsgemäß verwendet wird.
    - b. **Verwenden Sie das Gerät nicht, wenn der Ein-/ Ausschalter nicht funktioniert.** Ein Gerät, das sich nicht mehr ein- oder ausschalten lässt, ist gefährlich und muss repariert werden.
    - c. **Ziehen Sie den Stecker aus der Steckdose, oder trennen Sie das Gerät vom Akku, bevor Sie Einstellungen vornehmen, Zubehörteile wechseln oder das Gerät lagern.** Diese Vorbeugemaßnahmen mindern die Gefahr, dass das Elektrogerät unbeabsichtigt startet.
    - d. **Bewahren Sie unbenutzte Geräte außerhalb der Reichweite von Kindern auf. Lassen Sie Geräte nicht von Personen benutzen, die damit nicht vertraut sind oder diese Anweisungen nicht gelesen haben.** Geräte sind in den Händen nicht geschulter Personen gefährlich.
    - e. **Halten Sie das Gerät in einem einwandfreien Zustand. Kontrollieren Sie, ob bewegliche Teile falsch ausgerichtet sind oder klemmen und ob Teile gebrochen oder so beschädigt sind, dass die Funktion des Geräts beeinträchtigt ist. Bei Beschädigungen lassen Sie das Gerät reparieren, bevor Sie es verwenden.** Viele Unfälle entstehen wegen mangelnder Wartung der Geräte.
    - f. **Halten Sie Schneidgeräte scharf und sauber.** Richtig gewartete Schneidwerkzeuge mit scharfen Klingen blockieren seltener und sind leichter unter Kontrolle zu halten.
    - g. **Verwenden Sie Gerät, Zubehör, Einsatz-Bits usw. entsprechend diesen Anweisungen, und berücksichtigen Sie dabei die Arbeitsbedingungen und die auszuführende Arbeit.** Der Gebrauch von Geräten für andere als die vorgesehenen Zwecke kann zu gefährlichen Situationen führen.
  5. **Gebrauch und Pflege von Akkuwerkzeugen**
    - a. **Laden Sie den Akku nur mit dem vom Hersteller vorgesehenen Ladegerät auf.** Für ein Ladegerät, das nur für eine bestimmte Akkuartart geeignet ist, besteht Brandgefahr, wenn es mit anderen Akkus verwendet wird.
    - b. **Verwenden Sie nur die für das jeweilige Gerät vorgesehenen Akkus.** Die Verwendung anderer Akkus kann zu Verletzungen oder Bränden führen.
    - c. **Bewahren Sie den Akku bei Nichtbenutzung nicht in der Nähe metallischer Objekte wie Büroklammern, Münzen, Schlüsseln, Nägeln oder Schrauben auf, da diese eine Verbindung zwischen beiden Polen des Akkus herstellen können.** Durch den dadurch entstehenden Kurzschluss kann der Akku in Brand geraten.
    - d. **Bei falscher Anwendung kann Flüssigkeit aus dem Akku austreten. Vermeiden Sie den Kontakt damit. Bei unbeabsichtigtem Kontakt mit Wasser abspülen. Gelangt die Flüssigkeit in die Augen, ziehen Sie außerdem ärztliche Hilfe hinzu.** Austretende Akkuflüssigkeit kann zu Hautreizungen oder Verbrennungen führen.
  6. **Service**
    - a. **Lassen Sie das Gerät nur von qualifiziertem Fachpersonal und nur mit Originalersatzteilen reparieren.** Damit wird sichergestellt, dass die Sicherheit des Geräts erhalten bleibt.

## Zusätzliche Sicherheitswarnungen für das Gerät



**Warnung!** Zusätzliche Sicherheitswarnungen für Bohrmaschinen

- ◆ **Verwenden Sie die mitgelieferten Zusatzgriffe.** Der Verlust der Kontrolle kann Verletzungen verursachen.
- ◆ **Halten Sie das Gerät an den isolierten Griffflächen fest, wenn Sie Arbeiten ausführen, bei denen verdeckte Kabel durch Werkzeuge beschädigt werden könnten.** Der Kontakt mit stromführenden Leitungen kann auch offen liegende Metallteile am Gerät unter Strom setzen und zu einem Stromschlag führen.
- ◆ **Halten Sie das Gerät an den isolierten Griffflächen fest, wenn Sie Arbeiten ausführen, bei denen verdeckte Kabel beschädigt werden könnten.** Der Kontakt mit stromführenden Leitungen kann auch offen liegende Metallteile am Gerät unter Strom setzen und zu einem Stromschlag führen.
- ◆ **Sichern Sie das Werkstück zum Beispiel mit Einspannvorrichtungen auf einer stabilen Plattform.** Das Werkstück ist instabil, wenn es mit der Hand oder dem Körper abgestützt wird, was zum Verlust der Kontrolle führen kann.
- ◆ Prüfen Sie vor dem Bohren in Wände, Fußböden oder Decken diese Stellen auf dahinterliegende Kabel oder Rohre.
- ◆ Berühren Sie die Spitze des Bohreinsatzes nicht unmittelbar nach dem Bohren, da diese heiß sein kann.
- ◆ Die bestimmungsgemäße Verwendung ist in dieser Betriebsanleitung beschrieben. Die Verwendung von Zubehör- oder Anbauteilen, die nicht in dieser Anleitung empfohlen werden, sowie die Bedienung des Geräts in Abweichung von den in dieser Anleitung beschriebenen Verfahren können zu Verletzungen und/oder Sachschäden führen.

## Sicherheit anderer Personen

- ◆ Dieses Gerät darf nicht von Personen (einschließlich Kindern) mit eingeschränkten körperlichen, sensorischen oder geistigen Fähigkeiten oder mangelnder Erfahrung und Wissen in Bezug auf dessen Gebrauch bedient werden, es sei denn, sie werden bei der Verwendung des Geräts von einer

erfahrenen Person beaufsichtigt oder angeleitet.

- ◆ Kinder müssen beaufsichtigt werden, um sicherzustellen, dass sie nicht mit dem Gerät spielen.

## Restrisiken

Beim Gebrauch dieses Geräts verbleiben zusätzliche Restrisiken, die möglicherweise nicht in den Sicherheitswarnungen genannt werden. Diese Risiken bestehen beispielsweise bei Missbrauch oder längerem Gebrauch.

Auch bei der Einhaltung der entsprechenden Sicherheitsvorschriften und der Verwendung aller Sicherheitsgeräte bestehen weiterhin bestimmte Restrisiken. Diese sind:

- ◆ Verletzungen, die durch das Berühren von sich drehenden/ bewegenden Teilen verursacht werden.
- ◆ Verletzungen, die durch das Austauschen von Teilen, Sägeblättern oder Zubehör verursacht werden.
- ◆ Verletzungen, die durch längeren Gebrauch eines Geräts verursacht werden. Legen Sie bei längerem Gebrauch regelmäßige Pausen ein.
- ◆ Beeinträchtigung des Gehörs.
- ◆ Gesundheitsrisiken durch das Einatmen von Staub beim Gebrauch des Geräts (beispielsweise bei Holzarbeiten, insbesondere Eiche, Buche und Pressspan)

## Vibration

Die in den Abschnitten „Technische Daten“ und „EU-Konformitätserklärung“ angegebenen Werte für die Vibrationsemission wurden mit einer Standard-Prüfmethode nach EN 60745 ermittelt und können zum Vergleich verschiedener Geräte herangezogen werden. Außerdem kann mit Hilfe dieses Werts die Belastung bei Verwendung des Geräts schon im Voraus eingeschätzt werden.

**Warnung!** Die bei Verwendung des Geräts auftretende Vibrationsemission hängt von der Art des Gerätegebrauchs ab und kann dementsprechend von dem angegebenen Wert abweichen. Gegebenenfalls kann die Vibration über dem angegebenen Wert liegen.

Für die Ermittlung der Vibrationsbelastung müssen die tatsächlichen Einsatzbedingungen und Verwendungen des Geräts während des gesamten Arbeitsgangs berücksichtigt werden, einschließlich der Zeiten, wenn das Gerät nicht

verwendet oder im Leerlauf betrieben wird. Diese Werte werden benötigt, um die gemäß 2002/44/EG erforderlichen Sicherheitsmaßnahmen zum Schutz von Personen festlegen zu können.

## Etiketten am Werkzeug

Am Gerät sind die folgenden Warnsymbole inkl. Datumscode angebracht:



**Warnung!** Lesen Sie vor Gebrauch die Anleitung. Andernfalls besteht Verletzungsgefahr.

## Zusätzliche Sicherheitshinweise für Akkus und Ladegeräte (nicht im Lieferumfang enthalten)

### Akkus

- ◆ Keinesfalls versuchen, den Akku zu öffnen.
- ◆ Achten Sie darauf, dass der Akku nicht mit Wasser in Berührung kommt.
- ◆ Nicht bei Temperaturen über 40 °C lagern.
- ◆ Laden Sie den Akku nur bei Umgebungstemperaturen von 10 °C bis 40 °C auf.
- ◆ Verwenden Sie ausschließlich das mitgelieferte Ladegerät.
- ◆ Beachten Sie zur Entsorgung von Akkus oder Batterien die Hinweise im Abschnitt „Umweltschutz“.



Versuchen Sie nie, beschädigte Akkus aufzuladen.

### Ladegeräte

- ◆ Verwenden Sie das BLACK+DECKER Ladegerät nur für den Akku des Werkzeugs, mit dem es geliefert wurde. Andere Akkus können platzen und Sachschäden oder Verletzungen verursachen.
- ◆ Versuchen Sie keinesfalls, nicht aufladbare Batterien zu laden.
- ◆ Lassen Sie beschädigte Kabel sofort austauschen.
- ◆ Achten Sie darauf, dass das Ladegerät nicht mit Wasser in Berührung kommt.
- ◆ Versuchen Sie nicht, das Ladegerät zu öffnen.
- ◆ Nehmen Sie am Ladegerät keine Veränderungen vor.



Das Ladegerät darf nur im Innenbereich verwendet werden.



Vor Gebrauch die Anleitung lesen.

## Elektrische Sicherheit



Das Ladegerät ist schutzisoliert, daher ist keine Erdleitung erforderlich. Stellen Sie sicher, dass die Netzspannung der auf dem Typenschild des Geräts angegebenen Spannung entspricht. Ersetzen Sie das Ladegerät keinesfalls durch ein normales Netzkabel.

- ◆ Bei einer Beschädigung des Netzkabels muss dieses durch den Hersteller oder eine BLACK+DECKER Vertragswerkstatt ausgetauscht werden, um mögliche Gefahren zu vermeiden.

## Merkmale

Dieses Gerät verfügt über einige oder alle der folgenden Merkmale:

1. Drehzahl-Regelschalter
2. Vor-/Zurück-Wahlschalter
3. Drehmomenteinstellung
4. Schnellspannfutter
5. Dualgetriebe
6. LED-Arbeitsleuchte
7. Akku
8. Akku-Löseknöpfe
9. Schraubendreher-Bithalter

## Montage

**Warnung!** Beschleunigen Sie den Arbeitsvorgang nicht mit Gewalt. Vermeiden Sie eine Überlastung.

### Laden des Akkus (Abb. A)

Der Akku muss vor der erstmaligen Benutzung sowie immer dann aufgeladen werden, wenn das Gerät nicht mehr mit voller Leistung arbeitet. Der Akku kann sich während des Aufladens erwärmen. Das ist normal und deutet nicht auf ein Problem hin.

**Warnung!** Laden Sie den Akku nicht, wenn die Umgebungstemperatur unter 10 °C oder über 40 °C liegt. Empfohlene Ladetemperatur: ca. 24 °C.

**Hinweis: Ein Akku, bei dem die Temperatur der Akkuzellen unter ca. 10 °C oder über 40 °C liegt, wird vom Ladegerät nicht geladen.**

**Lassen Sie in diesem Fall den Akku im Ladegerät. Das Ladegerät beginnt automatisch mit dem Ladevorgang, sobald sich die Zellen erwärmt bzw. abgekühlt haben.**

- ◆ Stecken Sie das Ladegerät in eine Standardsteckdose mit 230 Volt, 50 Hz.
- ◆ Schieben Sie den Akku wie in Abb. A gezeigt in das Ladegerät ein.

- ◆ Die grüne LED blinkt, wenn der Akku geladen wird.
- ◆ Der Abschluss des Ladevorgangs wird dadurch angezeigt, dass die grüne LED dauerhaft leuchtet. Der Akku ist vollständig aufgeladen und kann jetzt verwendet oder in der Ladestation gelassen werden.

**Warnung!** Feuergefahr. Wenn Sie das Ladegerät vom Werkzeug trennen, müssen Sie das Ladegerät zuerst aus der Steckdose ziehen und dann das Kabel des Ladegeräts vom Werkzeug trennen.

### Anbringen und Entfernen des Akkus (Abb. B)

**Warnung!** Der Verriegelungsknopf muss eingerastet sein, damit keine unbeabsichtigte Bedienung des Ein-/Aus-Schalters vor dem Anbringen bzw. Entfernen des Akkus erfolgen kann. Anbringen des Akkus:

- ◆ Setzen Sie den Akku in das Werkzeug ein, bis ein Klicken zu hören ist (Abb. B)

### Entfernen des Akkus aus dem Werkzeuggriff (Abb. C)

- ◆ Drücken Sie den Akku-Löseknopf wie gezeigt (Abb. C) und ziehen Sie den Akku aus dem Werkzeug.

## Betriebsanleitung

### Auslöseschalter & Richtungswahlschalter

- ◆ Die Bohrmaschine wird ein- und ausgeschaltet, indem der Auslöseschalter (1) gedrückt und wieder losgelassen wird. Je tiefer der Auslöseschalter gedrückt wird, umso höher ist die Drehzahl des Bohrers.
- ◆ Der Vor/Zurück-Schaltknopf (2) bestimmt die Drehrichtung und fungiert zudem als Einschaltsperrle.
- ◆ Für die Vorwärtsdrehung lassen Sie den Auslöseschalter los, und schieben Sie den Vor/Zurück-Schaltknopf nach links.
- ◆ Um die Drehrichtung zu ändern, drücken Sie den Vor/ Zurück-Schaltknopf in die entgegengesetzte Richtung.

**Hinweis:** In der mittleren Stellung des Reglers ist das Werkzeug in der AUS-Stellung verriegelt. Achten Sie darauf, dass der Auslöseschalter entriegelt ist, wenn Sie diesen Regler verstellen.

### Drehmomentregelung (Abb. D)

Dieses Gerät verfügt über eine Drehmomentvorwahl (3) zur Auswahl des

Betriebsmodus und des Drehmoments zum Festziehen von Schrauben. Für große Schrauben und härtere Werkstücke muss ein größeres Drehmoment eingestellt werden als für kleine Schrauben und weiche Werkstücke.

- ◆ Um Bohrungen in Holz, Metall oder Kunststoff vorzunehmen, stellen Sie an der Drehmomentvorwahl das Symbol zum Bohren ein.
- ◆ Zum Ausführen von Schraubarbeiten stellen Sie an der Drehmomentvorwahl den gewünschten Wert ein. Sollten Ihnen die jeweils erforderlichen Einstellungen noch nicht bekannt sein, gehen Sie wie folgt vor:
- ◆ Stellen Sie an der Drehmomentvorwahl das niedrigste Drehmoment ein.
- ◆ Ziehen Sie mit dieser Einstellung die erste Schraube fest.
- ◆ Wenn die Kupplung vor der gewünschten Festigkeit der Schraubverbindung rattert, erhöhen Sie die Drehmenteinstellung, und fahren Sie fort. Wiederholen Sie diesen Vorgang so lange, bis Sie die richtige Einstellung gefunden haben. Verwenden Sie diese Einstellung auch für die übrigen Schrauben.

### Schnellspannbohrfutter (Abb. E)

**Warnung!** Der Verriegelungsknopf muss eingerastet sein, damit keine unbeabsichtigte Bedienung des Ein-/Aus-Schalters vor dem Entfernen bzw. Anbringen von Zubehör erfolgen kann.

So setzen Sie einen Bohreinsatz oder ein anderes Zubehörteil ein:

- ◆ Halten Sie die hintere Hälfte des Bohrfutters (4) mit einer Hand. Verwenden Sie die andere Hand, um die vordere Hälfte im Uhrzeigersinn zu drehen (vom Ende des Bohrfutters aus gesehen).
- ◆ Setzen Sie den Bohreinsatz oder ein anderes Zubehörteil ordnungsgemäß in das Bohrfutter ein, und ziehen Sie das Bohrfutter wieder fest, indem Sie die hintere Hälfte des Bohrfutters festhalten und den vorderen Teil im Uhrzeigersinn drehen (mit Blickrichtung vom Bohrfutter).

**Warnung!** Versuchen Sie niemals, Bohreinsätze oder andere Zubehörteile festzuziehen, indem Sie den vorderen Teil des Bohrfutters festhalten und das Gerät einschalten. Dabei kann das Spannfutter beschädigt werden und es kann zu schweren Verletzungen kommen.

## Zweigangetriebe (Abbildung F)

Das Zweigangetriebe an Ihrem Bohrer ermöglicht den Gangwechsel für eine größere Anpassungsfähigkeit. Zur Auswahl der niedrigen Geschwindigkeit mit hohem Drehmoment (Position 1) schalten Sie das Gerät aus und lassen es auslaufen. Schieben Sie den Gangschalterknopf (5) zurück, d.h. vom Spannfutter weg. Zur Auswahl der hohen Geschwindigkeit mit niedrigem Drehmoment (Position 2) schalten Sie das Gerät aus und lassen es auslaufen. Schieben Sie den Gangschalterknopf nach vorne zum Spannfutter.

**Hinweis:** Ändern Sie nicht den Gang, während das Gerät sich dreht.

Bei Problemen beim Gangwechsel prüfen Sie, dass der Zweigangetriebewähler entweder komplett nach vorne oder hinten geschoben ist.

## Bohren/Schrauben

- ◆ Wählen Sie mithilfe des Vor-/Zurückwahlschalters (2) die Vorwärts- bzw. Rückwärtsdrehung aus.
- ◆ Drücken Sie zum Einschalten des Geräts den Schalter (1). Die Leistung des Geräts ist davon abhängig, wie tief Sie den Schalter hineindrücken.
- ◆ Lassen Sie zum Ausschalten des Geräts den Schalter los.

## Hinweise für optimale Arbeitsergebnisse

### Bohren

- ◆ Verwenden Sie nur scharfe Bohrerbits.
- ◆ Unterstützen und sichern Sie Werkstücke angemessen, wie in den Sicherheitshinweisen beschrieben.
- ◆ Verwenden Sie die richtige und erforderliche Sicherheitsausrüstung, wie in den Sicherheitshinweisen beschrieben.
- ◆ Sichern Sie den Arbeitsbereich und halten Sie ihn aufgeräumt, wie in den Sicherheitshinweisen beschrieben.
- ◆ Lassen Sie den Bohrer sehr langsam und nur mit leichtem Druck laufen, bis das Loch groß genug ist, dass der Bohreinsatz nicht mehr herausrutschen kann.
- ◆ Üben Sie nur parallel zum Bohreinsatz Druck aus. Der ausgeübte Druck darf nicht größer sein als für den Bohrvorgang erforderlich. Bei zu hohem Druck blockiert der Motor oder der Bohreinsatz wird beschädigt.

- ◆ Halten Sie das Gerät mit beiden Händen fest, damit Sie es besser führen können.
- ◆ WENN DER BOHRER BLOCKIERT IST, VERSUCHEN SIE NICHT, IHN DURCH WIEDERHOLTES BETÄTIGEN DES EIN-/AUSSCHALTERS WIEDER ZUM LAUFEN ZU BRINGEN. DER BOHREINSATZ KANN DADURCH BESCHÄDIGT WERDEN.
- ◆ Verringern Sie im letzten Teil des Bohrlochs den Druck und die Geschwindigkeit, um ein Blockieren beim Durchbohren zu vermeiden.
- ◆ Lassen Sie den Motor an, während Sie den Bohrer aus einem gebohrten Loch ziehen. Dadurch wird verhindert, dass der Bohreinsatz einklemmt.
- ◆ Stellen Sie sicher, dass sich der Bohrer über den Schalter ein- und ausschalten lässt.

## Bohren in Holz

Holz kann entweder mit denselben Spiralbohreinsätzen bearbeitet werden, die auch für Metall verwendet werden, oder mit Spitzbohrern. Die Bohreinsätze sollten spitz sein und regelmäßig entnommen werden, um das Gerät von Spänen zu säubern.

## Bohren in Metall

Verwenden Sie beim Bohren in Metall ein Schneidöl. Ausnahmen sind Gusseisen und Messing, die trocken gebohrt werden müssen. Die besten Schmierstoffe sind schwefelhaltiges Schneidöl oder Schmalzöl.

## Schraubarbeiten

- ◆ Verwenden Sie stets Schraubendrehereinsätze der richtigen Art und Größe.
- ◆ Sollten beim Festziehen von Schrauben Schwierigkeiten auftreten, verwenden Sie etwas Spülmittel oder Seife als Schmiermittel.
- ◆ Halten Sie das Gerät und den Schraubendrehereinsatz stets in gerader Linie zur Schraube.



## Fehlerbehebung

Problem	Mögliche Ursache	Mögliche Lösung
Gerät startet nicht.	Akku nicht geladen.	Prüfen Sie die erforderliche Ladekapazität.
Akku lädt nicht.	Das Ladegerät ist nicht mit dem	Stecken Sie den Stecker des Ladegeräts in eine aktive Steckdose.
	Stromnetz verbunden Umgebungstemperatur zu hoch oder zu niedrig.	Bringen Sie das Ladegerät und den Akku an einen Ort, der eine Umgebungstemperatur von über 4,5 °C und unter +40,5 °C aufweist.
Das Gerät schaltet sich unerwartet aus.	Der Akku hat seine thermische Belastungsgrenze erreicht.	Lassen Sie den Akku abkühlen.
	Akku ist entladen. (Um die Lebensdauer des Akkus zu maximieren, wurde er so konzipiert, dass er sich sofort abschaltet, wenn die Ladung aufgebraucht ist.	Bringen Sie ihn am Ladegerät an, so dass er aufgeladen wird.

## Wartung

Ihr BLACK+DECKER Gerät wurde im Hinblick auf eine lange Lebensdauer und einen möglichst geringen Wartungsaufwand entwickelt. Ein kontinuierlicher, zufriedenstellender Betrieb hängt von der richtigen Pflege des Gerätes und seiner regelmäßigen Reinigung ab.

Das Ladegerät benötigt keine Wartung, es sollte jedoch regelmäßig gereinigt werden.

**Warnung!** Entfernen Sie vor jeglichen Wartungsarbeiten am Gerät den Akku aus dem Gerät. Trennen Sie das Ladegerät von der Stromversorgung, bevor Sie es reinigen.

- ◆ Reinigen Sie regelmäßig die Lüftungsschlitze des Geräts und des Ladegeräts mit einer weichen Bürste oder einem trockenen Tuch.
- ◆ Reinigen Sie das Motorgehäuse regelmäßig mit einem feuchten Tuch. Verwenden Sie keine scheuernden Reinigungsmittel oder Reinigungsmittel auf Lösungsmittelbasis.

- ◆ Öffnen Sie regelmäßig das Bohrfutter, und entfernen Sie durch Klopfen Staub aus dem Inneren des Geräts.

## Umweltschutz



Getrennte Entsorgung. Produkte und Akkus mit diesem Symbol dürfen nicht mit dem normalen Hausmüll entsorgt werden.

Produkte und Akkus enthalten Materialien, die wiederverwertet werden können, um den Bedarf an Rohstoffen zu verringern. Bitte recyceln Sie elektrische Produkte und Akkus gemäß den örtlichen Bestimmungen. Weitere Informationen finden Sie auf [www.2helpU.com](http://www.2helpU.com).

## Technische Daten

BDCDD186	
Spannung	$V_{DC}$ 18
Leerlaufdrehzahl	$Min^{-1}$ 0 - 360 / 0 - 1400
Max. Drehmoment	Nm 17,5 / 40
Bohrfutterspannweite	mm 1 - 10
Maximale Bohrtiefe	
Stahl/Holz	mm 10 / 25
Gewicht	kg 0,84 (mit Akku 1,24)

Ladegerät 905898**	
Eingangsspannung	$V_{AC}$ 230
Ausgangsspannung	$V_{DC}$ 18
Stromstärke	mA 200
Ungefähre Ladezeit	Stunden 8 - 20

Ladegerät 905902**	
Eingangsspannung	$V_{AC}$ 230
Ausgangsspannung	$V_{DC}$ 18
Stromstärke	mA 400
Ungefähre Ladezeit	Stunden 4 - 10

Ladegerät 905998**	
Eingangsspannung	$V_{AC}$ 230
Ausgangsspannung	$V_{DC}$ 18
Stromstärke	Amp 1
Ungefähre Ladezeit	Stunden 1,5 - 4

Akku BL1518	
Spannung	$V_{AC}$ 18
Kapazität	Ah 1,5
Typ	Li-Ionen

Akku BL2018	
Spannung	$V_{AC}$ 18
Kapazität	Ah 2,0
Typ	Li-Ionen

<b>Akku</b>	<b>BL4018</b>
Spannung	$V_{AC}$ 18
Kapazität	Ah 4,0
Typ	Li-Ionen

### Schalldruckpegel gemäß EN 60745:

Schalldruck ( $L_{pA}$ ) 65,2 dB(A), Unsicherheitsfaktor (K) 3 dB(A),  
Schallleistung ( $L_{WA}$ ) 76,2 dB(A), Unsicherheitsfaktor (K) 3 dB(A)

### Gesamtvibration (Triax-Vektorsumme) gemäß EN 60745:

Metallbohren ( $a_{h,D}$ ) <1,3 m/s<sup>2</sup>, Unsicherheitsfaktor (K) 1,5 m/s<sup>2</sup>,  
Schraubarbeiten ohne Belastung ( $a_{h,y}$ ) <0,6 m/s<sup>2</sup>, Unsicherheitsfaktor (K) 1,5 m/s<sup>2</sup>

## EU-Konformitätserklärung MASCHINENRICHTLINIE



### BDCDD186 – Akku-Bohrschrauber Black &

Decker erklärt, dass die unter „Technische Daten“ beschriebenen Geräte übereinstimmen mit: 2006/42/EG, EN 60745-1:2010, EN 60745-2-1:2010, EN 60745-2-2:2010.

Diese Produkte entsprechen außerdem den Richtlinien 2004/108/EG (bis 19.4.2016), 2014/30/EU (ab 20.4.2016) und 2011/65/EU. Weitere Informationen erhalten Sie von Black & Decker unter der folgenden Adresse. Diese befindet sich auch auf der Rückseite dieser Anleitung.

Der Unterzeichnete ist verantwortlich für die Zusammenstellung des technischen Dossiers und gibt diese Erklärung im Namen von Black & Decker ab.

R. Laverick  
Engineering Manager  
Black & Decker Europe  
210 Bath Road, Slough  
Berkshire, SL1 3YD  
Vereinigtes Königreich  
18.11.2015

Zur Inanspruchnahme dieser Garantie muss sie den allgemeinen Geschäftsbedingungen von Black & Decker entsprechen und dem Verkäufer bzw. der Vertragswerkstatt ist ein Kaufnachweis vorzulegen.

Die Bedingungen für die 2-jährige Garantie von Black & Decker und den Standort Ihrer nächstgelegenen Vertragswerkstatt finden Sie im Internet unter [www.2helpU.com](http://www.2helpU.com) oder indem Sie sich an die lokale Black & Decker-Niederlassung wenden, deren Adresse Sie in dieser Anleitung finden.

Ihr neues Black & Decker Produkt können Sie auf unserer Website unter [www.blackanddecker.de](http://www.blackanddecker.de) registrieren. Dort erhalten Sie auch Informationen über neue Produkte und Sonderangebote.

## Garantie

Black & Decker vertraut auf die Qualität der eigenen Geräte und bietet dem Käufer eine außergewöhnliche Garantie von 24 Monaten ab Kaufdatum. Diese Garantie versteht sich unbeschadet der gesetzlichen Gewährleistungsansprüche und schränkt diese keinesfalls ein. Diese Garantie gilt innerhalb der Staatsgebiete der Mitgliedstaaten der Europäischen Union und der Europäischen Freihandelszone.

## Utilisation prévue

Votre perceuse BLACK+DECKER BDCDD186 a été conçue pour visser et pour percer le bois, le métal et le plastique. Cet outil est destiné à un usage grand public uniquement.

## Consignes de sécurité

### Consignes de sécurité concernant les outils électriques



**Avertissement ! Lisez tous les avertissements et toutes les consignes de sécurité.** Le non-respect des avertissements et des instructions listés ci-dessous peut entraîner des chocs électriques, des incendies et/ou de graves blessures.

**Conservez tous les avertissements et toutes les instructions afin de pouvoir vous y référer dans le futur.** Le terme «outil électrique» mentionné dans tous les avertissements listés ci-dessous fait référence à vos outils électriques branchés sur secteur (avec câble) ou fonctionnant sur pile ou batterie (sans fil).

#### 1. Sécurité de la zone de travail

- a. **Maintenez la zone de travail propre et bien éclairée.** Les zones sombres ou encombrées sont propices aux accidents.
- b. **N'utilisez pas d'outils électriques dans un environnement présentant des risques d'explosion ou en présence de liquides, gaz ou poussières inflammables.** Les outils électriques créent des étincelles qui peuvent enflammer les poussières et les fumées.
- c. **Maintenez les enfants et autres personnes éloignés lorsque les outils électriques sont en marche.** Toute distraction peut vous faire perdre le contrôle de l'outil.

#### 2. Sécurité électrique

- a. **Les prises des outils électriques doivent correspondre à la prise de courant murale. Ne modifiez jamais la prise d'aucune sorte. N'utilisez aucun adaptateur avec des outils électriques reliés à la terre.** L'utilisation de prises d'origine et de prises murales appropriées permet de réduire le risque de choc électrique.
- b. **Évitez tout contact physique avec des surfaces reliées à la terre comme des tuyaux, des radiateurs, des fours et des réfrigérateurs par exemple.** Le risque de

choc électrique augmente si votre corps est relié à la terre.

- c. **N'exposez pas les outils électriques à la pluie, ni à l'humidité.** Le risque de choc électrique augmente si de l'eau pénètre dans un outil électrique.
  - d. **Ne tirez pas sur le cordon d'alimentation. N'utilisez jamais le cordon pour transporter, tirer ou débrancher l'outil électrique. Maintenez le cordon éloigné de la chaleur, des substances grasses, des bords tranchants ou des pièces mobiles.** Les cordons endommagés ou emmêlés augmentent le risque de choc électrique.
  - e. **Si vous utilisez un outil électrique à l'extérieur, utilisez une rallonge homologuée pour les travaux extérieurs.** L'utilisation d'un cordon adapté pour l'extérieur réduit le risque de choc électrique.
  - f. **Si l'utilisation d'un outil électrique dans un endroit humide est inévitable, utilisez une alimentation électrique protégée par un disjoncteur différentiel.** L'utilisation d'un disjoncteur différentiel réduit le risque de choc électrique.
- #### 3. Sécurité personnelle
- a. **Restez vigilant, surveillez ce que vous faites et faites preuve de bon sens lorsque vous utilisez un outil électrique. N'utilisez pas d'outils électriques si vous êtes fatigué ou sous l'influence de drogue, d'alcool ou de médicaments.** Tout moment d'inattention pendant l'utilisation d'un outil électrique peut engendrer de graves blessures.
  - b. **Portez des équipements de protection individuelle. Portez toujours une protection oculaire.** Les équipements de protection comme les masques à poussière, les chaussures de sécurité antidérapantes, les casques ou les protections auditives utilisés à bon escient réduisent le risque de blessures.
  - c. **Empêchez tout démarrage par inadvertance. Assurez-vous que l'outil est en position OFF (Arrêt) avant de raccorder l'outil à l'alimentation électrique et/ ou au bloc-batterie ou avant de ramasser ou de transporter l'outil.** Le fait de transporter les outils électriques le doigt sur l'interrupteur ou d'alimenter les outils électriques dont l'interrupteur est déjà en position de marche augmente les accidents.

- d. Retirez toutes les clés ou pinces de réglage avant de mettre l'outil en marche.** Une clé ou une pince restée fixée à la partie rotative de l'outil électrique peut engendrer des blessures.
- e. Ne présumez pas de vos forces. Gardez les pieds bien ancrés au sol et conservez votre équilibre en permanence.** Cela permet de mieux maîtriser l'outil électrique en cas de situations imprévues.
- f. Portez des vêtements appropriés. Ne portez aucun vêtement ample ou de bijou. Gardez vos cheveux, vos vêtements et vos gants éloignés des pièces mobiles.** Les vêtements amples, les bijoux ou les cheveux longs peuvent être happés par les pièces mobiles.
- g. Si des dispositifs pour l'extraction des poussières ou des installations pour la récupération sont présents, assurez-vous qu'ils sont correctement raccordés et utilisés.** L'utilisation de dispositifs récupérateurs de poussières réduit les risques liés aux poussières.
- 4. Utilisation et entretien des outils électriques**
- a. Ne forcez pas sur l'outil électrique. Utilisez le bon outil adapté pour votre intervention.** Un outil adapté fonctionne mieux, de façon plus sûre et à la cadence pour laquelle il a été conçu.
- b. N'utilisez pas l'outil électrique si son interrupteur Marche/Arrêt est défectueux.** Tout appareil électrique qui ne peut plus être commandé par son interrupteur est dangereux et doit être réparé.
- c. Débranchez la prise du secteur et/ou le bloc-batterie de l'outil électrique avant d'effectuer tout réglage, de changer un accessoire ou de ranger l'outil électrique.** Ces mesures de sécurité préventives réduisent le risque de démarrage accidentel de l'outil électrique.
- d. Rangez les outils électriques non utilisés hors de portée des enfants et ne laissez aucune personne ne connaissant pas ces outils ou leurs instructions d'utilisation les faire fonctionner.** Les outils électriques peuvent être dangereux entre des mains inexpérimentées.
- e. Entretenez vos outils électriques. Vérifiez que les pièces mobiles sont alignées correctement et qu'elles ne sont pas coincées. Vérifiez qu'il n'y a pas de pièces cassées ou toute autre condition qui pourrait nuire au bon fonctionnement de l'outil. En cas de dommage, faites réparer l'outil électrique avant utilisation.** De nombreux accidents sont provoqués par des outils électriques mal entretenus.
- f. Maintenez les organes de coupe affûtés et propres.** Des organes de coupe bien entretenus et affûtés sont moins susceptibles de rester coincés et sont plus faciles à contrôler.
- g. Utilisez les outils électriques, les accessoires et les embouts d'outil conformément à ces instructions, en tenant compte des conditions de travail, ainsi que du travail à effectuer.** L'utilisation d'un outil électrique à des fins autres que celles pour lesquelles il a été prévu engendre des situations dangereuses.
- 5. Utilisation et entretien de la batterie de l'outil**
- a. N'effectuez la recharge qu'à l'aide du chargeur spécifié par le fabricant.** Un chargeur adapté pour un autre type de bloc-batterie peut engendrer un risque d'incendie s'il est utilisé avec un bloc-batterie différent.
- b. N'utilisez les outils électriques qu'avec les blocs-batteries qui leurs sont dédiés.** L'utilisation d'un autre bloc-batterie peut engendrer des blessures et un incendie.
- c. Lorsque le bloc-batterie n'est pas utilisé, éloignez-le des objets en métal comme les trombones, les pièces de monnaies, les clés, les clous, les vis ou d'autres petits objets métalliques qui pourraient créer une liaison entre les deux bornes.** La mise en court-circuit des bornes d'une batterie peut provoquer des brûlures ou un incendie.
- d. En cas d'utilisation abusive, du liquide peut être éjecté de la batterie. Évitez tout contact avec ce liquide. En cas de contact accidentel, rincez à l'eau. En cas de contact avec les yeux, consultez un médecin.** Le liquide projeté de la batterie peut provoquer des irritations ou des brûlures.
- 6. Réparation**
- a. Faites réparer votre outil électrique par une personne qualifiée, n'utilisant que des pièces de rechange d'origine.** Cela permet de garantir la sûreté de l'outil électrique.

## Consignes de sécurité supplémentaires concernant les outils électriques



**Avertissement !** Instructions de sécurité supplémentaires concernant les perceuses

- ◆ **Utilisez les poignées auxiliaires livrées avec l'outil.** La perte de contrôle peut provoquer des blessures.
- ◆ **Tenez l'outil électrique par ses surfaces de préhension isolées lorsque vous l'utilisez dans des endroits où l'accessoire de coupe peut entrer en contact avec des fils cachés.** Tout contact de l'accessoire de coupe avec un fil sous tension peut mettre les parties métalliques exposées de l'outil sous tension et provoquer un choc électrique à l'utilisateur.
- ◆ **Tenez l'outil électrique par ses surfaces de préhension isolées lorsque vous l'utilisez dans des endroits où le dispositif de fixation peut entrer en contact avec des fils cachés.** Tout contact du dispositif de fixation avec un fil sous tension peut mettre les parties métalliques exposées de l'outil sous tension et provoquer un choc électrique à l'utilisateur.
- ◆ **Utilisez des pinces ou tout autre moyen pratique pour fixer et soutenir la pièce à travailler sur une plateforme stable.** Tenir la pièce à travailler dans vos mains ou contre votre corps la rend instable et peut conduire à une perte de contrôle.
- ◆ Avant de percer des murs, des planchers ou des plafonds, vérifiez l'emplacement des fils électriques et des canalisations.
- ◆ Évitez de toucher le bout d'un foret juste après avoir percé. Il peut être chaud.
- ◆ L'utilisation prévue est décrite dans ce manuel d'utilisation. L'utilisation d'un accessoire ou d'une fixation ou l'utilisation de cet outil à d'autres fins que celles recommandées dans ce manuel d'utilisation présentent un risque de blessures et/ou de dommages matériels.

## Sécurité des personnes

- ◆ Cet outil n'est pas conçu pour être utilisé par des personnes (y compris des enfants) ayant des capacités mentales, sensorielles ou physiques réduites, ou celles manquant d'expérience et de connaissances, à moins qu'elles ne soient encadrées ou qu'elles n'aient été formées à l'utilisation de l'appareil par une personne responsable de leur sécurité.

- ◆ Ne laissez jamais les enfants sans surveillance pour éviter qu'ils ne jouent avec cet appareil.

## Risques résiduels

Certains risques résiduels autres que ceux mentionnés dans les avertissements sur la sécurité peuvent survenir en utilisant l'outil. Ces risques peuvent être provoqués par une utilisation incorrecte, prolongée, etc...

Malgré l'application des normes de sécurité pertinentes et la présence de dispositifs de sécurité, certains risques résiduels ne peuvent pas être évités. Ils comprennent :

- ◆ Les blessures dues au contact avec une pièce rotative/ mobile.
- ◆ Les blessures dues au remplacement de pièces, lames ou accessoires.
- ◆ Les blessures dues à l'utilisation prolongée d'un outil. Lorsque l'outil est utilisé pendant de longues périodes, assurez-vous de faire des pauses régulières.
- ◆ La diminution de l'acuité auditive.
- ◆ Les risques sanitaires dus à l'inhalation de poussières émises pendant l'utilisation de l'outil (exemple : travail avec du bois, surtout le chêne, le hêtre et les panneaux en MDF).

## Vibrations

La valeur des émissions de vibrations déclarée dans la section Caractéristiques techniques et la déclaration de conformité a été mesurée selon une méthode de test standard fournie par la norme EN 60745 et peut être utilisée pour comparer un outil à un autre. La valeur des émissions de vibrations déclarée peut aussi être utilisée pour une évaluation préliminaire à l'exposition.

**Avertissement !** En fonction de la manière dont l'outil est utilisé, la valeur des émissions de vibrations réelles pendant l'utilisation de l'outil peut différer de la valeur déclarée. Le niveau des vibrations peut dépasser le niveau déclaré.

Quand l'exposition aux vibrations est évaluée afin de déterminer les mesures de sécurité requises par la norme 2002/44/ CE pour protéger les personnes utilisant régulièrement des outils électriques, cette estimation doit tenir compte des conditions réelles d'utilisation et de la façon dont l'outil est utilisé. Il faut également tenir compte de toutes les composantes du cycle de

fonctionnement comme la durée pendant laquelle l'outil est arrêté et quand il fonctionne au ralenti, ainsi que la durée du déclenchement.

## Étiquettes sur l'outil

Outre le code date, les symboles suivants sont apposés sur l'outil :



**Avertissement !** Pour réduire le risque de blessures, l'utilisateur doit lire le manuel d'instructions.

## Consignes de sécurité supplémentaires concernant les batteries/piles et les chargeurs (non fournis avec l'outil)

### Batteries

- ◆ Ne tentez jamais sous aucun prétexte de les ouvrir.
- ◆ N'exposez pas les batteries/piles à l'eau.
- ◆ Ne les stockez pas dans des endroits où la température peut dépasser 40 °C.
- ◆ Ne les rechargez qu'à une température ambiante comprise entre 10 °C et 40 °C.
- ◆ Ne les rechargez qu'à l'aide du chargeur fourni avec l'outil.
- ◆ Pour la mise au rebut des batteries/piles, respectez les instructions mentionnées à la section « Protection de l'environnement ».



N'essayez pas de recharger des batteries endommagées.

### Chargeurs

- ◆ N'utilisez votre chargeur BLACK+DECKER que pour recharger la batterie fournie avec l'outil. D'autres batteries pourraient exploser et provoquer des blessures et des dommages.
- ◆ Ne tentez jamais de recharger des piles non rechargeables.
- ◆ Faites immédiatement remplacer les cordons endommagés.
- ◆ N'exposez pas le chargeur à l'eau.
- ◆ N'ouvrez pas le chargeur.
- ◆ Ne sondez pas le chargeur.



Le chargeur est conçu pour être exclusivement utilisé à l'intérieur.



Lisez le manuel d'utilisation avant d'utiliser l'outil.

## Sécurité électrique



Votre chargeur dispose d'une double isolation ; aucun fil de terre n'est donc nécessaire. Vérifiez toujours que la tension indiquée sur la plaque signalétique de l'appareil correspond à la tension du secteur. N'essayez jamais de remplacer le chargeur par une prise secteur ordinaire.

- ◆ Si le câble d'alimentation est endommagé, il doit être remplacé par le fabricant ou par un centre de réparation agréé BLACK+DECKER afin d'éviter tout accident.

## Caractéristiques

Cet outil dispose de tout ou partie des caractéristiques suivantes.

1. Variateur de vitesse
2. Bouton de commande avant/arrière
3. Bague de réglage du couple
4. Mandrin sans clé
5. Sélecteur double vitesse
6. Éclairage de travail à LED
7. Batterie
8. Bouton de libération de la batterie
9. Porte-embout magnétique

## Assemblage

**Avertissement !** Laissez l'outil fonctionner à son propre rythme. Ne le poussez pas au-delà de sa limite.

## Charge de la batterie (figure A)

La batterie doit être chargée avant la première utilisation et chaque fois qu'elle n'apporte plus assez de puissance pour les travaux réalisés sans peine auparavant. La batterie peut chauffer pendant la charge. Ce phénomène est normal et n'indique pas un problème.

**Avertissement !** Ne rechargez pas la batterie à une température ambiante inférieure à 10 °C ou supérieure à 40 °C. La température recommandée est d'environ 24 °C.

**Remarque : Le chargeur ne recharge pas la batterie si la température de la cellule est inférieure à environ 10 °C ou supérieure à 40 °C. La batterie doit rester dans le chargeur qui démarre automatiquement la charge quand la température de la cellule augmente ou diminue.**

- ◆ Branchez le chargeur dans un prise électrique standard de 230 Volts 50 Hz.
- ◆ Insérez le bloc-batterie dans le chargeur comme illustré par la figure A.

- ◆ Le voyant vert clignote pour indiquer que la batterie est en charge.
- ◆ La fin de la charge est indiquée par le voyant vert restant fixe en continu. Le bloc est alors complètement rechargé et il peut soit être utilisé, soit être laissé dans le chargeur.

**Avertissement !** Risque d'incendie. En débranchant le chargeur de l'outil, assurez-vous de d'abord le débrancher de la prise murale avant de retirer le cordon du chargeur de l'outil.

### Installation et retrait du bloc-batterie de l'outil (fig. B)

**Avertissement !** Avant de retirer ou d'installer la batterie, assurez-vous que le bouton de déverrouillage est enclenché afin d'éviter l'activation de l'interrupteur.

Pour installer le bloc-batterie :

- ◆ Insérez le bloc-batterie dans l'outil jusqu'à entendre un clic (fig. B)

### Retrait du bloc-batterie de l'outil (fig. C)

- ◆ Appuyez sur le bouton de libération de la batterie comme illustré par la figure C et tirez sur le bloc-batterie pour le sortir de l'outil.

## Instructions d'utilisation

### Interrupteur à gâchette et bouton d'inversion du sens de fonctionnement

- ◆ La perceuse est allumée et éteinte en enfonçant et en relâchant la gâchette (1). Plus la gâchette est enfoncée, plus la vitesse de la perceuse est élevée.
- ◆ Le bouton de commande avant/arrière (2) détermine la direction de l'outil et sert aussi de bouton de déverrouillage.
- ◆ Pour sélectionner la rotation en avant, relâchez la gâchette et enfoncez le bouton de commande avant/arrière vers la gauche.
- ◆ Pour sélectionner la rotation en sens inverse, déplacez le bouton de commande avant/arrière dans la direction opposée.

**Remarque :** La position centrale du bouton de contrôle verrouille l'outil en position d'arrêt. Lors du changement de position du bouton de contrôle, s'assurer que la gâchette est bien relâchée.

### Contrôle du couple (fig. D)

Cet outil est équipé d'un collier de réglage de couple (3) afin de sélectionner le mode de fonctionnement et de paramétrer le couple pour le serrage des vis. Les grandes vis et les matières à travailler dures nécessitent un couple

de serrage plus élevé que les petites vis et les matières tendres.

- ◆ Pour percer du bois, du métal et du plastique, réglez le collier sur le symbole de perçage.
- ◆ Pour visser, réglez le collier dans la position désirée. Si vous ne connaissez pas encore le réglage approprié, effectuez ce qui suit :
  - ◆ Réglez le collier au couple le plus bas.
  - ◆ Serrez la première vis.
  - ◆ Si le mandrin cliquette avant d'obtenir le résultat voulu, augmentez le réglage du collier et continuez le serrage de la vis. Recommencez jusqu'à ce que le réglage correct soit obtenu. Utilisez ce réglage pour les vis restantes..

### Mandrin auto-serrant (figure E)

**Avertissement !** Avant de retirer ou d'installer un accessoire, assurez-vous que le bouton de déverrouillage est enclenché afin d'éviter l'activation de l'interrupteur.

Pour insérer un foret ou un autre accessoire :

- ◆ Dans une main, prenez la moitié arrière du mandrin (4) et avec l'autre, tournez la moitié avant dans le sens inverse des aiguilles d'une montre, vu depuis l'extrémité du mandrin.
- ◆ Insérez le foret ou tout autre accessoire complètement dans le mandrin, puis fixez-le fermement en maintenant la moitié arrière du mandrin et en tournant la partie avant dans le sens des aiguilles d'une montre, vu depuis l'extrémité du mandrin.

**Avertissement !** Ne tentez pas de fixer les forets (ou tout autre accessoire) en saisissant la partie avant du mandrin et en mettant l'outil en marche. Cela pourrait endommager le mandrin et provoquer des blessures lors du changement d'accessoires.

### Double plage de vitesse (Figure F)

La fonction Double Plage de votre perceuse vous permet de modifier la vitesse pour plus de polyvalence. Pour sélectionner la vitesse basse à couple élevé (position 1), éteignez l'outil et laissez-le s'arrêter. Faites glisser le sélecteur de vitesse (5) en l'éloignant du mandrin. Pour sélectionner la vitesse élevée, faible couple (position 2), éteignez l'outil et laissez-le s'arrêter. Faites glisser le sélecteur de vitesse vers le mandrin.

**Remarque :** Ne changez pas la vitesse lorsque l'outil est en marche. En cas de problème pour changer les vitesses, assurez-vous que

le sélecteur de vitesse à double plage est complètement poussé vers l'avant ou l'arrière.

## Perçage/vissage

- ◆ Sélectionnez la rotation en marche avant ou arrière (à l'aide du bouton de commande avant/arrière (2).
- ◆ Pour mettre l'outil en marche, appuyez sur l'interrupteur (1). La vitesse de l'outil dépend du degré d'enfoncement de l'interrupteur.
- ◆ Pour arrêter l'outil, relâchez l'interrupteur.

## Conseils pour une utilisation optimale

### Perçage

- ◆ N'utilisez que des forets bien affûtés.
- ◆ Soutenez et fixez la pièce à travailler correctement, comme indiqué dans les consignes de sécurité.
- ◆ Utilisez l'équipement de sécurité approprié et nécessaire, comme indiqué dans les consignes de sécurité.
- ◆ Soutenez et fixez la zone de travail correctement, comme indiqué dans les consignes de sécurité.
- ◆ Commencez le perçage très doucement, avec peu de pression, jusqu'à ce que le trou soit suffisamment amorcé pour que le foret ne s'en échappe pas.
- ◆ Enfoncez le foret tout droit. Appuyez suffisamment pour que le foret rentre mais pas trop pour ne pas bloquer le moteur ou endommager le foret.
- ◆ Maintenez fermement la perceuse avec les deux mains pendant la rotation.
- ◆ **N'ACTIONNEZ PAS LA GÂCHETTE D'UNE PERCEUSE QUI A CALÉ POUR TENTER DE LA DÉMARRER. CELA PEUT ENDOMMAGER LA PERCEUSE.**
- ◆ Évitez les calages pendant les percées en réduisant la pression et percez doucement la dernière partie du trou.
- ◆ Laissez le moteur tourner en sortant le foret du trou. Cela évite les blocages.
- ◆ Assurez-vous que l'interrupteur allume et éteint la perceuse.

### Percer le bois

Le bois peut être percé avec les mêmes forets hélicoïdaux utilisés pour le métal ou avec des mèches à bois avec pointe et traceurs latéraux. Ces forets doivent être affûtés. Ressortezles fréquemment du trou quand vous percez

afin d'éliminer les débris accumulés dans les cannelures du foret.

### Percer le métal

Utilisez un lubrifiant de coupe pour percer les métaux. La fonte et le laiton doivent en revanche être percés à sec. Les lubrifiants de coupe les plus appropriés sont à base d'huile sulfurée ou d'huile de saindoux.

### Vissage

- ◆ Choisissez toujours un embout de type et de taille appropriés.
- ◆ Si le serrage de la vis est difficile, enduisez-la d'une petite quantité de liquide vaisselle ou de savon comme lubrifiant.
- ◆ Alignez toujours l'outil et l'embout du tournevis avec la vis

## Dépannage

Problème	Cause possible	Solution possible
L'appareil ne démarre pas.	Le bloc-batterie n'est pas rechargé.	Vérifiez les exigences en matière de rechargement du bloc-batterie
Le bloc-batterie ne se recharge pas.	Le chargeur n'est pas branché.	Branchez le chargeur dans une prise murale qui fonctionne.
	La température ambiante est trop chaude ou trop froide.	Déplacez le chargeur et le bloc-batterie dans un endroit où la température ambiante est supérieure à 40 °F (4,5 °C) ou inférieure à 105 °F (+40,5 °C)
L'appareil s'éteint brusquement.	Le bloc-batterie a atteint sa limite thermique maximum.	Laissez le bloc-batterie refroidir.
	Déchargé. (Pour maximiser la durée de vie du bloc-batterie, il est conçu pour s'arrêter brusquement lorsque la batterie est déchargée)	Placez dans le chargeur et laissez recharger.

## Maintenance

Votre outil BLACK+DECKER a été conçu pour fonctionner pendant longtemps avec un minimum d'entretien. Le fonctionnement constant et satisfaisant de l'outil dépend de son bon entretien et de son nettoyage régulier.



Le chargeur ne nécessite aucun entretien particulier, à l'exception d'un nettoyage régulier.

**Avertissement !** Avant d'entretenir l'outil, retirez la batterie. Débranchez le chargeur avant de le nettoyer.

- ◆ Nettoyez régulièrement les fentes d'aération de l'outil et du chargeur à l'aide d'une brosse souple ou d'un chiffon sec.
- ◆ Nettoyez régulièrement le carter moteur à l'aide d'un chiffon humide. N'utilisez pas de détergents abrasifs ou à base de solvants.
- ◆ Ouvrez régulièrement le mandrin et tapotez dessus pour éliminer la poussière accumulée à l'intérieur.

### Protection de l'environnement



Tri sélectif. Les produits et batteries marqués de ce symbole ne doivent pas être jetés avec les déchets ménagers.

Les produits et batteries contiennent des matières qui peuvent être récupérées et recyclées afin de réduire la demande en matières premières. Veuillez recycler les produits électriques et les batteries conformément aux dispositions locales en vigueur. Pour plus d'informations, consultez le site [www.2helpU.com](http://www.2helpU.com).

### Données techniques

BDCDD186	
Tension	$V_{CC}$ 18
Vitesse à vide	$Min^{-1}$ 0 - 360 / 0 - 1400
Couple max.	Nm 17,5 / 40
Capacité du mandrin	mm 1 - 10
Capacité max de perçage	
Acier/Bois	mm 10 / 25
Poids	kg 0,84 (avec batterie 1,24)

Chargeur 905898**	
Tension d'entrée	$V_{CA}$ 230
Tension de sortie	$V_{CC}$ 18
Courant	mA 200
Durée de charge approximative	Heures 8 - 20

Chargeur 905902**	
Tension d'entrée	$V_{CA}$ 230
Tension de sortie	$V_{CC}$ 18
Courant	mA 400
Durée de charge approximative	Heures 4 - 10

Chargeur 905998**	
Tension d'entrée	$V_{CA}$ 230
Tension de sortie	$V_{CC}$ 18
Courant	Amp 1
Durée de charge approximative	Heures 1,5 - 4

Batterie BL1518	
Tension	$V_{CA}$ 18
Capacité	Ah 1,5
Type	Li-Ion

Batterie BL2018	
Tension	$V_{CA}$ 18
Capacité	Ah 2,0
Type	Li-Ion

Batterie BL4018	
Tension	$V_{CA}$ 18
Capacité	Ah 4,0
Type	Li-Ion

### Niveau de pression sonore selon la norme EN 60745 :

Pression acoustique ( $L_{pA}$ ) 65,2 dB(A), incertitude (K) 3 dB(A),  
Puissance sonore ( $L_{WA}$ ) 76,2 dB(A), incertitude (K) 3 dB(A)

### Valeurs totales des vibrations (somme vectorielle triaxiale) selon la norme EN 60745 :

Perçage dans le métal ( $a_{h,d}$ ) <1,3 m/s<sup>2</sup>, incertitude (K) 1,5 m/s<sup>2</sup>,  
Vissage sans percussion ( $a_v$ ) <0,6 m/s<sup>2</sup>, incertitude (K) 1,5 m/s<sup>2</sup>

## Déclaration de conformité CE

DIRECTIVES MACHINES



### BDCDD186 - Perceuse/visseuse

Black & Decker déclare que les produits décrits dans les «Données techniques» sont conformes aux normes : 2006/42/CE, EN 60745-1:2010, EN 60745-2-1:2010, EN60745-2-2:2010.

Ces produits sont aussi conformes aux directives 2004/108/CE (jusqu'au 19/04/2016), 2014/30/UE (à partir du 20/04/2016) et 2011/65/UE. Pour plus de détails, veuillez contacter Black & Decker à l'adresse suivante ou vous reporter au dos du manuel.

Le soussigné est responsable de la compilation du fichier technique et fait cette déclaration au nom de Black & Decker.

R. Laverick  
Responsable technique  
Black & Decker Europe  
210 Bath Road, Slough  
Berkshire, SL1 3YD  
Royaume-Uni  
18/11/2015

## Garantie

Black & Decker assure la qualité de ses produits et offre une garantie\* de 24 mois aux utilisateurs, à partir de la date d'achat. Cette garantie s'ajoute à vos droits légaux auxquels elle ne porte aucunement préjudice. Cette garantie est valable au sein des territoires des États membres de l'Union Européenne et au sein de la Zone européenne de libre-échange.

Pour prétendre à la garantie, la réclamation doit être en conformité avec les conditions générales de Black & Decker et vous devez fournir une preuve d'achat au vendeur ou au réparateur agréé.

Les conditions générales de la garantie de 2 ans Black & Decker ainsi que l'adresse du réparateur agréé le plus proche sont disponibles sur le site Internet [www.2helpU.com](http://www.2helpU.com) ou en contactant votre agence Black & Decker locale à l'adresse indiquée dans ce manuel.

Veuillez consulter notre site Internet [www.blackanddecker.co.uk](http://www.blackanddecker.co.uk) pour enregistrer votre nouveau produit Black & Decker et pour être tenu informé des nouveaux produits et offres spéciales.

## Použití výrobku

Vaše vrtačka BLACK+DECKER BDCDD186 je určena pro šroubování a vrtání do dřeva, kovu a plastů. Toto nářadí je určeno pouze pro spotřebitelské použití.

## Bezpečnostní pokyny

### Všeobecné bezpečnostní pokyny pro práci s elektrickým nářadím



**Varování! Přečtěte si všechny bezpečnostní pokyny a bezpečnostní výstrahy.** Nedodržení níže uvedených varování a pokynů může vést k způsobení úrazu elektrickým proudem, k vzniku požáru nebo k vážnému zranění.

**Veškerá bezpečnostní varování a pokyny uschovejte pro budoucí použití.** Termín „elektrické nářadí“ ve všech upozorněních odkazuje na vaše nářadí napájené ze sítě (je opatřeno napájecím kabelem) nebo nářadí napájené baterií (bez napájecího kabelu).

#### 1. Bezpečnost v pracovním prostoru

- a. **Udržujte pracovní prostor čistý a dobře osvětlený.** Přeplněný a neosvětlený pracovní prostor může vést k způsobení úrazů.
- b. **Nepracujte s elektrickým nářadím ve výbušném prostředí, jako jsou například prostory s výskytem hořlavých kapalin, plynů nebo prašných látek.** V elektrickém nářadí dochází k jiskření, které může způsobit vznícení hořlavého prachu nebo výparů.
- c. **Při práci s elektrickým nářadím zajistěte bezpečnou vzdálenost dětí a ostatních osob.** Rozptylování může způsobit ztrátu kontroly nad nářadím.

#### 2. Elektrická bezpečnost

- a. **Zástrčka napájecího kabelu nářadí musí odpovídat zásuvce. Zástrčku nikdy žádným způsobem neupravujte. Nepoužívejte u uzemněného elektrického nářadí žádné upravené zástrčky.** Neupravené zástrčky a odpovídající zásuvky snižují riziko způsobení úrazu elektrickým proudem.
- b. **Nedotýkejte se uzemněných povrchů, jako jsou například potrubí, radiátory, elektrické sporáky a chladničky.** Při uzemnění vašeho těla vzrůstá riziko úrazu elektrickým proudem.
- c. **Nevystavujte elektrické nářadí dešti nebo vlhkému prostředí.** Vnikne-li do elektrického

nářadí voda, zvýší se riziko úrazu elektrickým proudem.

- d. **S napájecím kabelem zacházejte opatrně. Nikdy nepoužívejte napájecí kabel k přenášení nebo posouvání nářadí a netahajte za něj, chcete-li nářadí odpojit od elektrické sítě. Zabraňte kontaktu kabelu s mastnými, horkými a ostrými předměty nebo pohyblivými částmi.** Poškozený nebo zauzlený napájecí kabel zvyšuje riziko úrazu elektrickým proudem.
  - e. **Při práci s nářadím venku používejte prodlužovací kabely určené pro venkovní použití.** Použití kabelu pro venkovní použití snižuje riziko úrazu elektrickým proudem.
  - f. **Musíte-li s elektrickým nářadím pracovat ve vlhkém prostředí, použijte napájecí zdroj s proudovým chráničem (RCD).** Použití proudového chrániče (RCD) snižuje riziko úrazu elektrickým proudem.
- ### 3. Bezpečnost osob
- a. **Při použití elektrického nářadí zůstaňte stále pozorní, sledujte, co provádíte a pracujte s rozvahou. Nepoužívejte elektrické nářadí, jste-li unaveni nebo jste-li pod vlivem drog, alkoholu nebo léků.** Chvilka nepozornosti při práci s elektrickým nářadím může vést k vážnému úrazu.
  - b. **Používejte prvky osobní ochrany. Vždy používejte ochranu zraku.** Ochranné prostředky jako respirátor, neklouzavé pracovní obuv, přilba a chrániče sluchu, používané v příslušných podmínkách, snižují riziko poranění osob.
  - c. **Zabraňte náhodnému spuštění nářadí. Před připojením zdroje napětí nebo před vložením baterie a před zvednutím nebo přenášením nářadí zkontrolujte, zda je spínač v poloze vypnuto.** Přenášení elektrického nářadí s prstem na spínači nebo připojení nářadí k napájecímu zdroji, je-li spínač nářadí v poloze zapnuto, může způsobit úraz.
  - d. **Před spuštěním z nářadí vždy odstraňte všechny klíče nebo seřizovací přípravky.** Seřizovací klíče ponechané na nářadí mohou být zachyceny rotujícími částmi nářadí a mohou způsobit úraz.
  - e. **Nepřekázejte sami sobě. Při práci vždy udržujte vhodný postoj a rovnováhu.** Tak je umožněna lepší ovladatelnost nářadí v neočekávaných situacích.

- f. **Vhodně se oblékejte. Nenoste volný oděv nebo šperky. Dbejte na to, aby se vaše vlasy, oděv a rukavice nedostaly do kontaktu s pohyblivými částmi.** Volný oděv, šperky nebo dlouhé vlasy mohou být pohyblivými díly zachyceny.
- g. **Jsou-li zařízení vybavena adaptérem pro připojení příslušenství k zachytávání prachu, zajistěte jeho správné připojení a řádnou funkci.** Použití těchto zařízení může snížit nebezpečí týkající se prachu.
4. **Použití elektrického nářadí a jeho údržba**
- a. **Nepřetěžujte elektrické nářadí. Používejte pro prováděnou práci správný typ nářadí.** Při použití správného typu nářadí bude práce provedena lépe a bezpečněji.
- b. **Pokud nelze spínač nářadí zapnout a vypnout, s nářadím nepracujte.** Každé elektrické nářadí s nefunkčním spínačem je nebezpečné a musí být opraveno.
- c. **Před seřizováním nářadí, před výměnou příslušenství nebo pokud nářadí nepoužíváte, odpojte zástrčku napájecího kabelu od zásuvky nebo z nářadí vyjměte baterii.** Tato preventivní bezpečnostní opatření snižují riziko náhodného spuštění nářadí.
- d. **Uložte elektrické nářadí mimo dosah dětí a nedovolte ostatním osobám, které toto nářadí neumí ovládat nebo které neznají tyto bezpečnostní pokyny, aby s tímto elektrickým nářadím pracovaly.** Elektrické nářadí je v rukou nekvalifikované obsluhy nebezpečné.
- e. **Provádějte údržbu elektrického nářadí. Zkontrolujte vychýlení nebo zablokování pohyblivých částí, poškození jednotlivých dílů a jiné okolnosti, které mohou ovlivnit chod nářadí. Pokud je nářadí poškozeno, nechejte jej opravit.** Mnoho nehod bývá způsobeno zanedbanou údržbou nářadí.
- f. **Udržujte řezné nástroje ostré a čisté.** Řádně udržované řezné nástroje s ostrými řeznými břity jsou méně náchylné k zanášení nečistotami a lépe se s nimi pracuje.
- g. **Používejte toto elektrické nářadí, příslušenství a pracovní nástroje podle těchto pokynů a berte v úvahu provozní podmínky a práci, která bude prováděna.** Použití elektrického nářadí k jiným účelům, než k jakým je určeno, může být nebezpečné.
5. **Použití nářadí napájeného baterií a jeho údržba**
- a. **Nabíjejte pouze v nabíječce určené výrobcem.** Nabíječka vhodná pro jeden typ baterie může při vložení jiného nevhodného typu způsobit požár.
- b. **Používejte elektrické nářadí výhradně s bateriemi, které jsou pro daný typ nářadí určeny.** Použití jiných typů baterií může způsobit vznik požáru nebo zranění.
- c. **Není-li baterie používána, uložte ji mimo dosah kovových předmětů, jako jsou kancelářské sponky na papír, mince, klíče, hřebíky, šroubky nebo další drobné kovové předměty, které mohou způsobit zkratování kontaktů baterie.** Zkratování kontaktů baterie může vést k způsobení popálenin nebo požáru.
- d. **V nevhodných podmínkách může z baterie unikat kapalina. Vyvarujte se kontaktu s touto kapalinou. Dojde-li k náhodnému kontaktu s touto kapalinou, zasažené místo omyjte vodou. Při zasažení očí potřísněné místo omyjte a vyhledejte lékařskou pomoc. Unikající kapalina z baterie může způsobit podráždění pokožky nebo popáleniny.**
6. **Servis**
- a. **Opravy elektrického nářadí svěřte pouze kvalifikovanému technikovi, který bude používat originální náhradní díly.** Tím zajistíte bezpečný provoz nářadí.

## Doplňkové bezpečnostní pokyny pro práci s elektrickým nářadím



**Varování!** Další bezpečnostní pokyny pro vrtačky

- ♦ **Používejte přidavné rukojeti dodávané s nářadím.** Ztráta kontroly nad nářadím může vést k úrazu.
- ♦ **Při pracovních operacích, u kterých by mohlo dojít ke kontaktu pracovního nástroje se skrytými elektrickými vodiči, držte elektrické nářadí vždy za izolované rukojeti.** Při kontaktu pracovního příslušenství s „živým“ vodičem způsobí neizolované kovové části nářadí obsluze úraz elektrickým proudem.
- ♦ **Při pracovních operacích, u kterých by mohlo dojít ke kontaktu montážního prvku se skrytými elektrickými vodiči,**

**držte elektrické nářadí vždy za izolované rukojeti.** Montážní prvky, které se dostanou do kontaktu s „živým“ vodičem, způsobí, že neizolované kovové části elektrického nářadí budou také „živé“, což může obsluze způsobit úraz elektrickým proudem.

- ◆ **Pro zajištění a upnutí obrobku k pracovnímu stolu používejte svorky nebo jiné vhodné prostředky.** Držení obrobku rukou nebo opření obrobku o část těla nezajistí jeho stabilitu a může vést k ztrátě kontroly.
- ◆ Před vrtáním do zdí, podlah nebo stropů zjistěte polohu elektrických vedení a potrubí.
- ◆ Ihned po ukončení vrtání se nedotýkejte vrtáku, protože může být horký.
- ◆ V tomto návodu je popsáno určené použití tohoto nářadí. Použití jiného příslušenství nebo přídavného zařízení a provádění jiných pracovních operací než je doporučeno tímto návodem, může představovat riziko zranění obsluhy nebo riziko způsobení hmotných škod.

## Bezpečnost ostatních osob

- ◆ Toto nářadí není určeno pro použití osobami (včetně dětí) se sníženými fyzickými, smyslovými nebo duševními schopnostmi, nebo s nedostatkem zkušeností a znalostí, pokud těmto osobám nebyl stanoven dohled, nebo pokud jim nebyly poskytnuty instrukce týkající se použití výrobku osobou odpovědnou za jejich bezpečnost.
- ◆ Děti musí být pod dozorem, aby bylo zajištěno, že si s tímto nářadím nebudou hrát.

## Zbytková rizika

Je-li toto zařízení používáno jiným způsobem, než je uvedeno v příložených bezpečnostních varováních, mohou se objevit dodatečná zbytková rizika. Tato rizika mohou vzniknout v důsledku nesprávného použití, dlouhodobého použití atd.

Přestože jsou dodržovány příslušné bezpečnostní předpisy a jsou používána bezpečnostní zařízení, určitá zbytková rizika nemohou být vyloučena. Tato rizika jsou následující:

- ◆ Zranění způsobená kontaktem s jakoukoli rotující nebo pohybující se částí.
- ◆ Zranění způsobená při výměně dílů, pracovního nástroje nebo příslušenství.
- ◆ Zranění způsobená dlouhodobým použitím nářadí. Používáte-li jakékoli nářadí delší dobu, zajistěte, aby byly prováděny pravidelné přestávky.

- ◆ Poškození sluchu.
- ◆ Zdravotní rizika způsobená vdechováním prachu vytvářeného při použití nářadí (příklad: - práce se dřevem, zejména s dubovým, bukovým a MDF).

## Vibrace

Deklarovaná úroveň vibrací uvedená v technických údajích a v prohlášení o shodě byla měřena v souladu se standardní zkušební metodou předepsanou normou EN 60745 a může být použita pro srovnání jednotlivých nářadí mezi sebou. Deklarovaná úroveň vibrací může být také použita k předběžnému stanovení doby práce s tímto nářadím.

**Varování!** Úroveň vibrací při aktuálním použití elektrického nářadí se může od deklarované úrovně vibrací lišit v závislosti na způsobu použití nářadí. Úroveň vibrací může být vzhledem k uvedené hodnotě vyšší.

Při stanovení doby působení vibrací z důvodu určení bezpečnostních opatření podle požadavků normy 2002/44/EC k ochraně osob pravidelně používajících elektrické nářadí v zaměstnání, musí předběžný odhad působení vibrací brát na zřetel aktuální podmínky použití nářadí s přihlédnutím na všechny části pracovního cyklu, jako jsou doby, při které je nářadí vypnuto a kdy běží naprázdno.

## Štítky na nářadí

Na nářadí jsou společně s datovým kódem zobrazeny následující piktogramy:



**Varování!** Z důvodu snížení rizika způsobení úrazu si uživatel musí přečíst návod k použití.

## Další bezpečnostní pokyny pro baterie a nabíječky (nejsou dodávány s nářadím)

### Baterie

- ◆ Baterii nikdy ze žádného důvodu nerozebírejte.
- ◆ Zabraňte kontaktu baterie s vodou.
- ◆ Neskladujte baterie na místech, kde může teplota přesáhnout 40 °C.
- ◆ Nabíjejte baterie pouze při teplotách v rozsahu od 10 °C do 40 °C.
- ◆ Nabíjení provádějte pouze nabíječkou dodanou s nářadím.
- ◆ Při likvidaci baterií se řiďte pokyny uvedenými v části „Ochrana životního prostředí“.



Nepokoušejte se nabíjet poškozené baterie.

## Nabíječky

- ◆ Používejte nabíječku BLACK+DECKER pouze k nabíjení baterie, která byla dodána s tímto nářadím. Jiné baterie mohou prasknout, způsobit zranění nebo jiné škody.
- ◆ Nikdy se nepokoušejte nabíjet baterie, které nejsou k nabíjení určeny.
- ◆ Poškozené kabely ihned vyměňte.
- ◆ Zabraňte kontaktu nabíječky s vodou.
- ◆ Nesnažte se nabíječku demontovat.
- ◆ Nepokoušejte se do nabíječky proniknout.



Tato nabíječka není určena pro venkovní použití.



Před použitím si pečlivě přečtěte tento návod.

## Elektrická bezpečost



Tato nabíječka je opatřena dvojitou izolací. Proto není nutné použití uzemňovacího vodiče. Vždy zkontrolujte, zda napětí v elektrické síti odpovídá napětí uvedenému na výkonovém štítku. Nikdy se nepokoušejte nahradit nabíječku přímým připojením k síťové zásuvce.

- ◆ Je-li poškozen napájecí kabel, musí být vyměněn výrobcem nebo v autorizovaném servisu BLACK+DECKER, aby bylo zabráněno možným rizikům.

## Popis

Tento výrobek se skládá z některých nebo ze všech následujících částí.

1. Spínač s plynulou regulací otáček
2. Přepínač pro chod vpřed/vzad
3. Objímka pro nastavení momentu
4. Rychloupínací sklíčidlo
5. Převodovka s dvěma rozsahy otáček
6. LED pracovní svítlna
7. Baterie
8. Uvolňovací tlačítko baterie
9. Držák šroubovacích nástavců

## Sestavení

**Varování!** Nechejte nářadí pracovat jeho vlastním tempem. Zamezte přetěžování.

## Nabíjení baterie (obr. A)

Baterie musí být nabita před prvním použitím a vždy, když dojde k výraznému poklesu jejího výkonu. Baterie se může během nabíjení zahřívat. Jedná se o normální stav, který neznamená žádný problém.

**Varování!** Baterii nenabíjejte, klesne-li okolní teplota pod 10 °C nebo přesáhne-li 40 °C.

Doporučená teplota prostředí pro nabíjení: přibližně 24 °C.

**Poznámka: Nabíječka nebude nabíjet baterie, klesne-li teplota článků baterie pod přibližně 10 °C nebo překročí-li 40 °C. Baterie mohou být ponechány v nabíječce a nabíjení bude automaticky spuštěno, jakmile teplota článků dosáhne povoleného rozsahu.**

- ◆ Připojte nabíječku k jakékoli standardní elektrické zásuvce s napájecím napětím 230 V a frekvencí 50 Hz.
- ◆ Zasuňte baterii do nabíječky, jak je zobrazeno na obr. A.
- ◆ Zelený LED indikátor bude blikat, což bude indikovat probíhající nabíjení.
- ◆ Ukončení nabíjení je indikováno nepřerušovaným svícením zeleného LED indikátoru. Baterie je zcela nabita a může být vyjmuta z nabíječky nebo může být ponechána v nabíječce.

**Varování!** Nebezpečí vzniku požáru. Při odpojování nabíječky od nářadí vždy zajistěte, aby byla nejdříve odpojována nabíječka od síťové zásuvky a potom odpojte kabel nabíječky od nářadí.

## Vložení a vyjmutí baterie z nářadí (obr. B)

**Varování!** Ujistěte se, zda je nářadí zajištěno zajišťovacím tlačítkem, abyste před vložením nebo vyjmutím baterie zabránili aktivaci spínače. Vložení baterie:

- ◆ Vložte baterii do nářadí tak, abyste uslyšeli kliknutí (obr. B).

## Vyjmutí baterie z nářadí (obr. C)

- ◆ Stiskněte tlačítko pro uvolnění baterie zobrazené na obr. C a vysuňte baterii z nářadí.

## Pokyny pro použití

### Spouštěcí spínač a tlačítko pro změnu směru chodu

- ◆ Tato vrtačka je zapínána a vypínána stisknutím a uvolněním spouštěcího spínače (1). Čím více je spouštěcí spínač stisknutý, tím vyšší jsou otáčky pracovního nástroje.
- ◆ Ovládací tlačítko pro chod vpřed/vzad (2) určuje směr otáčení pracovního nástroje a slouží také jako zajišťovací tlačítko.
- ◆ Chcete-li zvolit směr otáčení vpřed, uvolněte spouštěcí spínač a zatlačte ovládací tlačítko pro chod vpřed/vzad doleva.

- ◆ Chcete-li zvolit směr otáčení vzad, zatlačte ovládací tlačítko pro chod vpřed/vzad na druhou stranu.

**Poznámka:** Středová poloha tohoto ovládacího tlačítka zajišťuje nářadí ve vypnuté poloze. Provádíte-li změnu polohy ovládacího tlačítka, ujistěte se, zda je uvolněn spouštěcí spínač.

### Nastavení momentu (obr. D)

Toto nářadí je vybaveno objímkou (3) pro nastavení pracovního režimu a pro nastavení momentu při utahování vrutů a šroubů. Šrouby velkých rozměrů a obrobky z tvrdých materiálů vyžadují nastavení vyšší hodnoty momentu než malé šrouby a měkké materiály.

- ◆ Při vrtání do dřeva, kovu a plastů nastavte objímkou pro nastavení momentu na symbol.
- ◆ Chcete-li šroubovat, nastavte objímkou na požadované nastavení. Neznáte-li ještě vhodné nastavení, postupujte následovně:
- ◆ Nastavte objímkou na nejmenší hodnotu momentu.
- ◆ Utáhněte první šroub.
- ◆ Začne-li spojka před dosažením požadovaného výsledku přeskakovat, zvětšete hodnotu momentu nastavením objímkou do další polohy a pokračujte v utahování šroubu. Opakujte tento postup, dokud nedosáhnete požadovaného nastavení. Použijte toto nastavení i pro dotažení zbývajících šroubů.

### Rychloupínací sklíčidlo (obr. E)

**Varování!** Ujistěte se, zda je nářadí zajištěno zajišťovacím tlačítkem, abyste před vložením nebo vyjmutím pracovního nástroje zabránili aktivaci spínače.

Vložení vrtáku nebo jiného pracovního nástroje:

- ◆ Jednou rukou uchopte zadní polovinu sklíčidla (4) a druhou ruku otočte přední polovinu sklíčidla proti směru pohybu hodinových ručiček, při pohledu od zadní části sklíčidla.
- ◆ Zasuňte pracovní nástroj zcela do sklíčidla a uchopením zadní poloviny sklíčidla a otáčením jeho přední poloviny ve směru pohybu hodinových ručiček sklíčidlo řádně utáhněte.

**Varování!** Nepokoušejte se utahovat vrtáky (nebo jiné příslušenství) uchopením přední části sklíčidla a zapnutím nářadí. Výměna příslušenství prováděná takovým způsobem může vést k poškození sklíčidla a k úrazu.

### Dva převodové stupně (obr. F)

Možnost volby dvou převodových stupňů vaší vrtačky vám umožňuje širší využití vašeho nářadí.

Chcete-li zvolit nízké otáčky, vysokou hodnotu momentu (poloha 1), vypněte nářadí a počkejte na jeho zastavení. Přešuněte volič převodů (5) směrem od sklíčidla. Chcete-li zvolit vysoké otáčky, nízkou hodnotu momentu (poloha 2), vypněte nářadí a počkejte na jeho zastavení. Přešuněte volič převodů směrem ke sklíčidlu.

**Poznámka:** Neprovádějte změnu převodů, je-li nářadí v chodu. Máte-li s prováděním změny převodového stupně problémy, ujistěte se, zda je volič převodů zatlačen zcela dopředu nebo dozadu, až do dorazové polohy.

### Vrtání/šroubování

- ◆ Pomocí přepínače pro chod vpřed/vzad (2) zvolte směr otáčení vpřed nebo vzad.
- ◆ Chcete-li nářadí zapnout, stiskněte spínač (1). Otáčky nářadí závisí na intenzitě stisknutí tohoto spínače.
- ◆ Chcete-li nářadí vypnout, spínač uvolněte.

### Rady pro optimální použití

#### Vrtání

- ◆ Používejte pouze nabroušené vrtáky.
- ◆ Podepřete a řádně zajistěte obrobek, jak je uvedeno v bezpečnostních pokynech.
- ◆ Použijte odpovídající a vyžadované bezpečnostní zařízení, jak je uvedeno v bezpečnostních pokynech.
- ◆ Zabezpečte a uklízejte pracovní prostor, jak je uvedeno v bezpečnostních pokynech.
- ◆ Zahajte vrtání velmi pomalu a používejte pouze malý přítlak, dokud nebude vyvrtána dostatečná díra, která zabrání vyklouznutí vrtáku.
- ◆ Vyvíjejte na nářadí tlak v ose pracovního nástroje. Používejte dostatečně velký tlak, aby zajistili dostatečný výkon nástroje, ale netlačte na něj příliš, aby nedošlo k zastavení motoru nebo k vychýlení nástroje.
- ◆ Vždy držte vrtačku pevně oběma rukama, abyste mohli regulovat reakce tohoto nářadí.
- ◆ **PŘI ZASEKNUTÍ VRTÁKU NEPOUŽÍVEJTE SPOUŠTĚCÍ SPÍNAČ PRO OPAKOVANÉ ZAPÍNÁNÍ A VYPÍNÁNÍ VRTAČKY, ABY OPĚT DOŠLO K ZAHÁJENÍ VRTÁNÍ. MOHLO BY DOJÍT K POŠKOZENÍ VRTAČKY.**
- ◆ Zmenšením přítlaku a pomalým vrtáním přes poslední část obrobku minimalizujte možnost zaseknutí vrtáku a prolomení obrobku.
- ◆ Při vytahování vrtáku z vyvrtaného otvoru nechejte motor v chodu. Tím zabráníte zablokování vrtáku.

- ♦ Ujistěte se, zda spouštěcí spínač zapíná a vypíná vrtačku.

## Vrtání do dřeva

Otvory do dřeva lze vrtat stejnými spirálovými vrtáky, jaké jsou používány při vrtání do kovu nebo plochými vrtáky. Tyto vrtáky musí být ostré a během vrtání musí být často vytažovány z vrtaného otvoru, aby mohly být odstraněny nečistoty ze spirálových drážek vrtáku.

## Vrtání do kovu

Při vrtání do kovu používejte mazivo. Výjimkou jsou litina a mosaz, které musí být vrtány na sucho. Maziva pro vrtání, která dosahují nejlepších výsledků, obsahují sulfurový olej nebo se jedná o sádlo.

## Šroubování

- ♦ Vždy používejte správný typ a velikost šroubovacího nástavce.
- ♦ Nejdou-li šrouby správně přitáhnout, použijte jako mazivo malé množství saponátu nebo mýdlového roztoku.
- ♦ Vždy držte nářadí se šroubovacím nástavcem v jedné ose se šroubem.

## Odstraňování závad

Problém	Možná příčina	Možné řešení
Nářadí nelze spustit.	Baterie není nabitá.	Zkontrolujte, zda není nutné nabití baterie.
Baterie se nenabíjí.	Napájecí kabel nabíječky není připojen k síťové zásuvce.	Připojte napájecí kabel nabíječky k síťové zásuvce.
	Příliš vysoká nebo příliš nízká teplota okolního prostředí.	Přemístěte nabíječku a baterii do prostředí, ve kterém je teplota vyšší než 4,5 °C nebo nižší než +40,5 °C.

Problém	Možná příčina	Možné řešení
Nářadí se náhle vypne.	Baterie dosáhla svého maximálního teplotního limitu.	Nechteje baterii vychladnout.
	Baterie je vybitá. Tato baterie je vyrobena tak, aby došlo k jejímu okamžitému vypnutí, dojde-li k jejímu vybití, aby byla maximalizována její provozní životnost.	Vložte ji do nabíječky a nechteje ji zcela nabít.

## Údržba

Vaše nářadí BLACK+DECKER bylo zkonstruováno tak, aby pracovalo po dlouhou dobu s minimálními nároky na údržbu. Řádná péče o nářadí a jeho pravidelné čištění vám zajistí jeho bezproblémový chod.

Vaše nabíječka nevyžaduje žádnou údržbu mimo pravidelné čištění.

**Varování!** Před prováděním jakékoli údržby vyjměte z nářadí baterii. Před čištěním odpojte nabíječku od sítě.

- ♦ Větrací otvory nářadí a nabíječky pravidelně čistěte měkkým kartáčem nebo suchým hadříkem.
- ♦ Pomocí vlhkého hadříku pravidelně čistěte kryt motoru. Nepoužívejte žádné abrazivní čisticí prostředky nebo rozpouštědla.
- ♦ Pravidelně otvírejte skřídlo a poklepem odstraňte prach z jeho vnitřní části.

## Ochrana životního prostředí



Tříděte odpad. Výrobky a baterie označené tímto symbolem nesmí být vyhozeny do běžného domácího odpadu.

Tyto výrobky a baterie obsahují materiály, které mohou být obnoveny nebo recyklovány, což snižuje poptávku po surovinách. Zajistěte prosím recyklaci elektrických výrobků a baterií podle místních platných předpisů. Další informace naleznete na adrese [www.2helpU.com](http://www.2helpU.com).



## Technické údaje

		BDCDD186
Napájecí napětí	V	18
Otáčky naprázdno	min <sup>-1</sup>	0 - 360 / 0 - 1400
Maximální moment	Nm	17,5 / 40
Kapacita sklíčidla	mm	1 - 10
Maximální průměr vrtáku při vrtání		
Ocel/dřevo	mm	10 / 25
Hmotnost	kg	0,84 (s baterií 1,24)

		905898**
Vstupní napětí	V (střídavé)	230
Výstupní napětí	V (stejnoseměrné)	18
Proud	mA	200
Přibližná doba nabíjení	hodiny	8 - 20

		905902**
Vstupní napětí	V (střídavé)	230
Výstupní napětí	V (stejnoseměrné)	18
Proud	mA	400
Přibližná doba nabíjení	hodiny	4 - 10

		905998**
Vstupní napětí	V (střídavé)	230
Výstupní napětí	V (stejnoseměrné)	18
Proud	A	1
Přibližná doba nabíjení	hodiny	1,5 - 4

		BL1518
Napájecí napětí	V	18
Kapacita	Ah	1,5
Typ		Li-Ion

		BL2018
Napájecí napětí	V	18
Kapacita	Ah	2,0
Typ		Li-Ion

		BL4018
Napájecí napětí	V	18
Kapacita	Ah	4,0
Typ		Li-Ion

### Hladina akustického tlaku podle normy EN 60745:

Akustický tlak ( $L_{pA}$ ) 65,2 dB(A), odchylka (K) 3 dB(A),  
Akustický výkon ( $L_{WA}$ ) 76,2 dB(A), odchylka (K) 3 dB(A)

### Celková úroveň vibrací (prostorový vektorový součet) podle normy EN 60745:

Vrtání do kovu ( $a_{hD}$ ) < 1,3 m/s<sup>2</sup>, odchylka (K) 1,5 m/s<sup>2</sup>,  
Šroubování bez příklepu ( $a_{hV}$ ) < 0,6 m/s<sup>2</sup>, odchylka (K) 1,5 m/s<sup>2</sup>

## ES Prohlášení o shodě SMĚRNICE PRO STROJNÍ ZAŘÍZENÍ



### BDCDD186 - vrtačka, šroubovák

Společnost Black & Decker prohlašuje, že tyto produkty popisované v technických údajích splňují požadavky následujících norem: 2006/42/EC, EN 60745-1:2010, EN 60745-2-1:2010, EN 60745-2-2:2010.

Tyto výrobky splňují také požadavky směrnice 2004/108/EC (do 19. 4. 2016), 2014/30/EU (od 20. 4. 2016) a 2011/65/EU. Chcete-li získat další informace, kontaktujte prosím společnost Black & Decker na následující adrese nebo na adresách, které jsou uvedeny na konci tohoto návodu.

Níže podepsaná osoba je odpovědná za sestavení technických údajů a provádí toto prohlášení v zastoupení společnosti Black & Decker.

R. Laverick  
Technický ředitel  
Black & Decker Europe  
210 Bath Road, Slough  
Berkshire, SL1 3YD  
United Kingdom  
1. 12. 2015

## Záruka

Společnost Black & Decker je přesvědčena o kvalitě svých výrobků a nabízí spotřebitelům záruku 24 měsíců od data zakoupení. Tato záruka je nabízena ve prospěch zákazníka a nijak neovlivní jeho zákonná záruční práva. Tato záruka je platná ve všech členských státech EU a evropské zóny volného obchodu EFTA.

Požadujete-li reklamaci v rámci záruky, tato reklamáce musí splňovat obchodní podmínky společnosti Black & Decker a prodejci nebo autorizovanému servisu budete muset předložit doklad o zakoupení.

Obchodní podmínky týkající se záruky společnosti Black & Decker v trvání 2 let a adresu nejbližšího autorizovaného servisu naleznete na internetové adrese **www.2helpU.com**, nebo kontaktujte nejbližšího autorizovaného prodejce Black & Decker na adrese uvedené v tomto návodu.

## ČEŠTINA

Navštivte prosím naše internetové stránky [www.blackanddecker.co.uk](http://www.blackanddecker.co.uk), kde můžete zaregistrovat váš nový výrobek Black & Decker a kde můžete získat informace o našich nových výrobcích a speciálních nabídkách.

## Rendeltetészerű használat

Az Ön BLACK+DECKER BDCDD186 típusú fúró-csavarozóját csavarozáshoz, illetve fa, fém és műanyagok fúrásához terveztük. Ez a szerszám iparszerű felhasználásra nem alkalmas.

## Biztonságtechnikai útmutatások

### Elektromos szerszámokra vonatkozó általános biztonságtechnikai figyelmeztetések



**Figyelmeztetés! Olvasson el minden biztonságtechnikai figyelmeztetést és útmutatást.** Az alábbi figyelmeztetések és útmutatások be nem tartása áramütést, tüzet és/vagy súlyos személyi sérülést okozhat.

**Őrizze meg a figyelmeztetéseket és az útmutatót későbbi használatra.** Az „elektromos szerszám” kifejezés a figyelmeztetésekben az Ön által használt hálózati (vezetékes) vagy akkumulátoros (vezeték nélküli) elektromos szerszámot jelenti.

#### 1. A munkaterület biztonsága

- A munkaterületet tartsa tisztán és világítsa meg jól.** A rendetlen vagy sötét munkaterület növeli a balesetveszélyt.
- Ne használja az elektromos szerszámokat robbanásveszélyes légtérben, például ahol gyúlékony folyadékok, gázok vagy por vannak jelen.** Elektromos szerszámok használatakor szikra keletkezhet, amely begyújthatja a port vagy gázt.
- A szerszám használata közben tartsa távol a gyerekeket és a bámészködőket.** Ha elterelik a figyelmét, elveszítheti a szerszám feletti uralmát.

#### 2. Elektromos biztonság

- Az elektromos kéziszerszám dugasza a hálózati csatlakozóaljzat kialakításának megfelelő legyen.** Soha, semmilyen módon ne alakítsa át a csatlakozódugót. Földelt elektromos szerszámokhoz ne használjon adapter dugaszt. Eredeti (nem átalakított) csatlakozó és ahhoz illő konnektor használata mellett kisebb az áramütés veszélye.
- Ügyeljen arra, hogy teste ne érintkezék földelt felületekkel, például csövezetekkel, radiátorral, tűzhellyel és hűtőszekrényvel.** Ha a teste leföldelődik, nagyobb az áramütés veszélye.

- Esőtől és egyéb nedvességtől óvja az elektromos szerszámokat.** Ha víz kerül az elektromos szerszámba, nagyobb az áramütés veszélye.
  - Gondosan bánjon a kábellel. Az elektromos szerszámot soha ne hordozza és ne húzza a tápkábelnél fogva, a dugaszát pedig ne a kábelnél fogva húzza ki a konnektorból. Óvja a kábel hőtől, olajtól, éles szélektől és mozgó alkatrészekről.** Sérült vagy összetekeredett hálózati kábel használata mellett nagyobb az áramütés veszélye.
  - Ha a szabadban használja az elektromos szerszámot, kültéri használatra alkalmas hosszabbító kábelt vegyen igénybe.** Kültéri használatra alkalmas hosszabbító kábel használatával csökkenti az áramütés veszélyét.
  - Ha az elektromos szerszám nedves helyen való használata elkerülhetetlen, az elektromos biztonság növelhető egy hibaáramvédő kapcsoló (RCD) előkapcsolásán keresztül.** Hibaáramvédő kapcsoló használata mellett kisebb az áramütés veszélye.
- #### 3. Személyes biztonság
- Soha ne veszítse el éberségét, figyeljen a munkájára, használja a józan eszét, amikor elektromos szerszámmal dolgozik. Ne használja a szerszámot, ha fáradt, ha gyógyszer, alkohol hatása vagy gyógykezelés alatt áll.** Elektromos szerszám használatakor egy pillanatnyi figyelmetlenség is súlyos személyi sérülést okozhat.
  - Használjon személyi védőfelszerelést. Mindig viseljen védőszemüveget.** A védőfelszerelések, például porvédő maszk, csúszásmentes cipő, védősisak vagy hallásvédő csökkentik a személyi sérülés veszélyét.
  - Gondoskodjon arról, hogy a szerszám ne indulhasson be véletlenül. Ellenőrizze, hogy az üzemi kapcsoló kikapcsolt állásban van-e, mielőtt a hálózatra és/vagy akkumulátorra kapcsolja, a kezébe veszi vagy magával viszi.** Ha az elektromos szerszám hordozása közben az ujját a kapcsolón tartja, vagy bekapcsolt szerszámot helyez áram alá, balesetet okozhat.
  - Mielőtt bekapcsolja az elektromos szerszámot, vegye le róla a szerelőkulcsot.**

- Forgó alkatrészen felejtett kulcs a szerszám beindulásakor személyi sérülést okozhat.
- e. **Ne nyúljon ki túlságosan messzire. Kerülje a rendellenes testtartást, és egyensúlyát soha ne veszítse el munkavégzés közben.** Így jobban irányíthatja a szerszámot, még váratlan helyzetekben is.
- f. **Megfelelő öltözetet viseljen. Ne hordjon ékszert vagy laza ruházatot munkavégzés közben. Haját, ruházatát és kesztyűjét tartsa távol a mozgó alkatrészekről.**  
A laza öltözet, ékszerek vagy hosszú haj beakadhatnak a mozgó részekbe.
- g. **Ha az adott eszközhöz porelszívó és porgyűjtő is kapcsolható, ügyeljen ezek helyes csatlakoztatására és használatára.** Porelszívó berendezés használatával nagymértékben csökkenthetők a por okozta veszélyek.
4. **Elektromos szerszámok használata és gondozása**
- a. **Ne erőltesse az elektromos szerszámot. A munkafeladatnak megfelelő elektromos szerszámot használja.** A megfelelő szerszámmal jobban és biztonságosabban elvégezheti a munkát, ha a teljesítmény kategóriájának megfelelően használja.
- b. **Ne használja az elektromos szerszámot, ha a kapcsoló nem működőképes.** Bármely elektromos szerszám használata, amely nem irányítható megfelelően az üzemi kapcsolóval, nagyon veszélyes, ezért azonnal meg kell javíttatni a kapcsolót, ha sérült vagy nem működőképes.
- c. **Mielőtt beállítást végez vagy változtat, vagy tartozékot cserél a szerszámon, illetve mielőtt eltávolítja, húzza ki a dugaszát a konnektorból és/vagy válassza le az akkumulátorról.** Ezekkel a megelőző biztonságtechnikai intézkedésekkel csökkenti a szerszám véletlen beindulásának veszélyét.
- d. **A használaton kívüli elektromos szerszámot olyan helyen tárolja, ahol gyermekek nem férhetnek hozzá; és ne engedje, hogy olyan személyek használják, akik nem ismerik a szerszámot vagy ezen útmutatásokat.** Az elektromos szerszámok használata veszélyes lehet nem képzett felhasználó esetén.
- e. **Tartsa karban az elektromos szerszámokat. Ellenőrizze a részegységeket, olajozásukat, esetleg előforduló töréseit, a kézvédő vagy a kapcsoló sérüléseit és minden olyan rendellenességet, amely befolyásolhatja a szerszám használatát. Ha a szerszám sérült, használat előtt javíttassa meg.**  
A nem megfelelően karbantartott elektromos szerszámok számos balesetet okoznak.
- f. **Tartsa élesen és tisztán a vágószerszámokat.** A megfelelően karbantartott éles vágószerszám beszorulásának kisebb a valószínűsége, és könnyebben irányítható.
- g. **Az elektromos szerszámot, tartozékot, szerszámszárakat stb. ezeknek az útmutatásoknak megfelelően használja, a munkakörülmények és az elvégzendő feladat figyelembe vételével.** Az elektromos szerszám nem rendeltetésszerű használata veszélyhelyzetet teremthet.
5. **Akkumulátoros szerszámok használata és gondozása**
- a. **Csak a gyártó által előírt töltővel töltsze az akkumulátort.** Az a töltő, amely alkalmas egy bizonyos típusú akkumulátor töltésére, másik típusú akkumulátornál tűzveszélyt okozhat.
- b. **Az elektromos szerszámot csak a kifejezetten hozzá készült akkucsomaggal használja.** Másfajta akkucsomag használata sérülést vagy tüzet okozhat.
- c. **Ha az akkucsomagot nem használja, tartsa távol minden fémest tárgytól, például tűzőkapcsoktól, érméktől, kulcsoktól, szegektől, csavaroktól és minden más apró fémtárgytól, amelyek az érintkezéket rövidre zárhatják.** Az akkumulátor pólusainak rövidre zárása égési sérülést vagy tüzet okozhat.
- d. **Kedvezőtlen körülmények között előfordulhat, hogy az akkumulátorból elektrolit ömlik ki; kerülje a vele való érintkezést. Ha véletlenül érintkezésbe kerül a folyadékkal, öblítse le vízzel. Ha a szemébe került, ezen kívül forduljon orvoshoz is.** Az akkumulátorból kiömlő folyadék irritációt vagy égési sérülést okozhat.
6. **Szervizelés**
- a. **A szerszámot csak képzett szakemberrel javíttassa, és csak eredeti gyári alkatrészeket használjon fel.** Ezzel biztosítja az elektromos szerszám folyamatosan biztonságos működését.

## További biztonságtechnikai figyelmeztetések elektromos szerszámokhoz



**Figyelmeztetés!** További biztonságtechnikai előírások fűrókhoz

- ◆ **Használja a szerszámhoz mellékelt segédfogantyúkat.** A szerszám feletti uralom elvesztése személyi sérüléssel végződhet.
- ◆ **Az elektromos szerszámot csak a szigetelt markolati felületeinél tartsa, amikor olyan munkát végez, amelynél a vágótartozék rejtett vezetéket érhet.** Ha a vágótartozék áram alatt lévő vezetéket ér, a szerszám fémalkatrészei is áram alá kerülhetnek, és a kezelő áramütést szenvedhet.
- ◆ **Az elektromos szerszámot csak a szigetelt fogási felületeinél fogja, ha azzal olyan műveletet végez, amelynél a rögzítőelem rejtett vezetéket érhet.** Ha a kötőelem áram alatt lévő vezetéket ér, az elektromos szerszám fémalkatrészei is áram alá kerülhetnek, és a kezelő áramütést szenvedhet.
- ◆ **Leszorítókkal vagy más praktikus módon stabil felületre rögzítse és támassza meg a munkadarabot.** Ha a munkadarabot a kezében tartja vagy a testéhez támasztja, az instabillá válik. Ön pedig elveszítheti a szerszám feletti uralmát.
- ◆ Fal, padló vagy mennyezet fűrése előtt tájékozódjon az elektromos- és csővezetékek elhelyezkedéséről.
- ◆ Közvetlenül fűrés után ne érjen a fűrószárhoz, mert a fűrés során felforrósodhatott.
- ◆ A szerszám rendeltetésszerű használatát ebben a kézikönyvben ismertetjük. A kézikönyvben nem ajánlott tartozék vagy kiegészítő használata, illetve itt fel nem sorolt műveletek végzése személyi sérülés és/vagy dologi kár veszélyével jár.

## Mások biztonsága

- ◆ Ezt a szerszámot nem használhatják olyan személyek (a gyermekeket is beleértve), akik nincsenek fizikai, érzékelési vagy mentális képességeik teljes birtokában, vagy nincs meg a szükséges tapasztalatuk és tudásuk, kivéve, ha a biztonságukért felelős személy felügyeletet vagy a készülék használatához megfelelő kioktatást biztosít számukra.
- ◆ Ügyeljen arra, hogy gyermekek ne játsszanak a készülékkel.

## Maradványkockázatok

A szerszám használata további, a biztonsági figyelmeztetések között esetleg fel nem sorolt maradványkockázatokkal is járhat. Ezek a kockázatok a nem rendeltetésszerű használatból, a túl hosszú ideig tartó használatból stb. eredhetnek.

Bizonyos kockázatok a vonatkozó biztonsági előírások betartása és a védőeszközök használata ellenére sem kerülhetők el. Ezek a következők lehetnek:

- ◆ forgó-mozgó alkatrészek megérintése miatti sérülések;
- ◆ alkatrészek, vágókécek, tartozékok cseréje közben bekövetkező sérülések;
- ◆ a készülék hosszú idejű használata miatti sérülések; Ha a készüléket hosszú ideig használja, rendszeresen iktasson be szűneteket.
- ◆ halláskárosodás;
- ◆ a fűrészpör belégzése miatti egészségkárosodás, különös tekintettel a tölgy, bükk és rétegelt lemez anyagokra.

## Súlyozott effektív rezgésgyorsulás

A műszaki adatlapon és a megfelelőségi nyilatkozatban feltüntetett súlyozott effektív rezgésgyorsulási értékeket az EN 60745 szabványnak megfelelően határoztuk meg, így azok felhasználhatók az egyes készülékeknél mért értékek összehasonlítására is. A megadott érték felhasználható a súlyozott effektív rezgésgyorsulásnak való kitettség mértékének előzetes becsléséhez is.

**Figyelmeztetés!** A tényleges súlyozott effektív rezgésgyorsulási érték az elektromos készülék használata során a használat módjától függően eltérhet a feltüntetett értéktől. A tényleges súlyozott effektív rezgésgyorsulás szintje az itt feltüntetett szint fölé is emelkedhet.

A 2002/44/EK irányelv által a készülékkel rendszeresen dolgozók számára megkövetelt szükséges biztonsági intézkedések meghatározásához végzett, a súlyozott effektív rezgésgyorsulásnak való kitettség kiértékelésénél a napi kitettséget jelentő időn túl figyelembe kell venni a tényleges használat körülményeit, illetve azt, hogy a szerszámot hogyan használják, ideértve a munkafolyamat minden egyes részét, pl. azokat az időszakokat is, amikor a készülék ki van kapcsolva vagy üresen jár.

## Címkék a szerszámon

A szerszámon a dátumkóddal együtt a következő piktogramok láthatók:



**Figyelmeztetés!** A sérülésveszély csökkentése végett olvassa el a kezelési útmutatót.

## További biztonságtechnikai útmutatások akkumulátorokhoz és töltőkhöz (nincs a szerszámhoz mellékelve)

### Akkumulátorok

- ◆ Soha, semmilyen okból ne próbálja szétbontani az akkumulátort.
- ◆ Vízről óvja.
- ◆ Ne tárolja olyan helyen, ahol a hőmérséklet meghaladhatja a 40 °C-ot.
- ◆ Csak 10 °C és 40 °C közötti környezeti hőmérsékleten töltsé.
- ◆ Csak a szerszámhoz mellékelt töltővel töltsé.
- ◆ Elhasznált akkumulátorok kiselejtezésénél tartsa be a „Környezetvédelem” című fejezet útmutatásait.



Ne kísérletezzen sérült akkumulátor töltésével.

### Töltők

- ◆ A BLACK+DECKER töltőjével csak a szerszámhoz mellékelt akkumulátort töltsé. Más akkumulátorok szétrobbanhatnak, személyi sérülést és anyagi kárt okozva.
- ◆ Soha ne kísérletezzen nem tölthető telepek töltésével.
- ◆ A hibás vezetéseket azonnal cseréltesse ki.
- ◆ Vízről óvja a töltőt.
- ◆ Ne bontsa szét a töltőt.
- ◆ Ne próbálgassa mérőműszerrel.



A töltő csak beltéri használatra alkalmas.



Használat előtt olvassa el a kezelési útmutatót.

## Elektromos biztonság



A töltő kettős szigetelésű, ezért nincs szükség földelésre. Mindig ellenőrizze, hogy a hálózati feszültség megfelelő-e a készülék adattábláján megadott feszültségnek. Soha ne próbálja a töltőkészüléket hálózati dugással helyettesíteni.

- ◆ Ha a hálózati kábel sérült, a veszély elkerülése érdekében cseréltesse ki a gátróval

vagy egyik megbízott BLACK+DECKER szakszervizzel.

## Részegységek

Ez a szerszám a következő részegységek névelékét vagy mindegyikét tartalmazza:

1. Fordulatszám-szabályozó kapcsoló
2. Forgásirányváltó kapcsoló
3. Nyomatékállító gyűrű
4. Gyorscsérés tokmány
5. Kétfokozatú áttétel kapcsoló
6. LED-es munkalámpa
7. Akkumulátor
8. Akkumulátor kioldógombja
9. Csavarozóhegy tartó

## Összeszerelés

**Figyelmeztetés!** Hagyja a szerszámot saját tempójában működni. Ne terhelje túl.

### Az akkumulátor töltése (A ábra)

Az akkumulátort az első használat előtt és minden olyan esetben tölteni kell, amikor nem ad elég teljesítményt olyan munkánál, amelyet ugyanazzal a készülékkel korábban könnyedén el lehetett végezni. Töltés közben az akkumulátor melegekedhet, ami normális jelenség, nem jelent hibát.

**Figyelmeztetés!** Ne töltsé az akkumulátort 10 °C alatti vagy 40 °C feletti környezeti hőmérsékletnél. Javasolt töltési hőmérséklet: kb. 24 °C.

**Tartsa szem előtt: A töltő nem tölti az akkumulátort, ha annak hőmérséklete kb. 10 °C alatt, ill. 40 °C fölött van. Ilyenkor hagyja az akkumulátort a töltőben, és az automatikusan tölteni kezd, amint az akkumulátor a megfelelő hőmérsékletre felmelegszik vagy lehül.**

- ◆ Dugaszolja a töltőt egy szabványos, 230 V-os és 50 Hz-es konnektorra.
- ◆ Csúsztassa be az akkucsomagot a töltőbe, ahogyan az A ábra szemlélteti.
- ◆ A zöld LED villogása jelzi, hogy az akku töltése folyamatban van.
- ◆ A töltés befejezését a zöld LED folyamatos fénye jelzi. Az akkumulátor teljesen feltöltődött és készen áll a használatra, vagy a töltőben is hagyhatja.

**Figyelmeztetés!** Tűzveszély. Először mindig a töltő dugaszát húzza ki a konnektorból, majd azután kapcsolja le a töltő vezetékét a szerszámról.

## Az akkumulátor behelyezése és eltávolítása (B ábra)

**Figyelmeztetés!** Az akkumulátor behelyezése és eltávolítása előtt bizonyosodjon meg arról, hogy a szerszám reteszgombja be van kapcsolva, hogy a kapcsoló véletlenül ne léphessen működésbe. Az akkumulátor behelyezése:

- ◆ Addig csúsztassa be az akkumulátort a szerszámba, amíg egy kattantást nem hall (B ábra).

## Az akkumulátor eltávolítása a szerszámból (C ábra)

- ◆ Nyomja meg az akkumulátor kioldógombját (lásd a C ábrán), majd húzza ki az akkut a szerszámból.

## Kezelési útmutató

### Fordulatszám-szabályzós kapcsoló és forgásirányváltó kapcsoló

- ◆ A fűrő a fordulatszám-szabályzós kapcsoló (1) behúzásával és elengedésével kapcsolható be és ki. Minél jobban behúzza a fordulatszám-szabályzós kapcsolót, annál gyorsabban forog a fűrő.
- ◆ A forgásirányváltó kapcsolóval (2) változtatható a szerszám forgásiránya, és ugyanez a gomb reteszelőként is működik.
- ◆ Az előre forgásirány kiválasztásához engedje el a fordulatszám-szabályzós kapcsolót, és nyomja balra a forgásirányváltó kapcsolót.
- ◆ A hátra forgásirány kiválasztásához az ellenkező irányba nyomja a forgásirányváltó kapcsolót.

**Tartsa szem előtt:** A forgásirányváltó kapcsoló középső állásában a szerszám álló helyzetben reteszelve van. Csak a fordulatszám-szabályzós kapcsoló elengedése után változtasson a gomb állásán.

### Nyomatékszabályozás (D ábra)

Ez a szerszám egy nyomatékállító gyűrűvel (3) van ellátva, amelynek forgatásával megválaszthatja a kívánt üzemmódot és beállíthatja a csavarok behajtásához szükséges nyomatékot. Nagyobb csavarokhoz és keményebb anyagú munkadarabokhoz nagyobb nyomaték szükséges, mint a kisebb csavarokhoz és puhább munkadarabokhoz.

- ◆ Faanyagok, fémek és műanyagok fűrészhöz állítsa a nyomatékállító gyűrűt a fűrés szimbólumhoz.

- ◆ Csavarozásnál forgassa a gyűrűt a kívánt beállításhoz. Ha még nem tudja, mekkora nyomatékra lesz szüksége, a következőket tegye:
- ◆ Állítsa a gyűrűt a legkisebb nyomatékra.
- ◆ Hajtsa be az első csavart.
- ◆ Ha a kuplung a kívánt eredmény elérése előtt kiold, állítsa a gyűrűt nagyobb nyomatékra, és folytassa a csavar behajtását. Ismétlje ezt addig, amíg el nem érte a megfelelő beállítást. Ezt a beállítást alkalmazza a többi csavarnál is.

### Gyorscsérés tokmány (E ábra)

**Figyelmeztetés!** Tartozékok behelyezése és eltávolítása előtt bizonyosodjon meg arról, hogy a szerszám reteszgombja be van kapcsolva, hogy a kapcsoló véletlenül ne léphessen működésbe. Fűrőszár vagy más tartozék beillesztése:

- ◆ Egyik kezével fogja meg a tokmány (4) hátsó részét, a másikkal pedig forgassa a tokmány elülső részét a tokmány végétől nézve az óramutató járásával ellenkező irányba.
- ◆ Illesse be a szerszámszárat vagy más tartozékot teljesen a tokmányba, majd a tokmány hátsó részét tartva és az elülső részét a tokmány vége felől nézve az óramutató járásának irányába forgatva húzza meg erősen.

**Figyelmeztetés!** Ne próbáljon fűrőszárat (vagy bármely más tartozékot) úgy befogni, hogy a tokmány elejét megmarkolja, és közben bekapcsolja a szerszámot. Tartozék cseréjénél károsodhat a tokmány, és személyi sérülés veszélye is fennáll.

### Kétfokozatú áttétel kapcsoló (F ábra)

A kétfokozatú áttétel kapcsoló növeli a fűrő/csavarozó sokoldalúságát. Az alacsonyabb fordulatszám és nagyobb nyomaték (1-es állás) kiválasztásához kapcsolja ki a szerszámot és várja meg, amíg leáll. Csúsztassa a kétfokozatú áttétel kapcsolót (5) a tokmánytól távolodó irányba. A magasabb fordulatszám és kisebb nyomaték (2-es állás) kiválasztásához kapcsolja ki a szerszámot és várja meg, amíg leáll. Csúsztassa a kétfokozatú áttétel kapcsolót a tokmány irányába.

**Tartsa szem előtt:** A szerszám működése közben ne váltson fokozatot. Ha nehézséget okoz a fokozatváltás, ellenőrizze, hogy a kétfokozatú váltót teljesen előre- vagy hátrahelyezte-e.

## Fúrás/csavarozás

- ◆ Az előre vagy hátra forgásirányt a forgásirányváltó kapcsolóval (2) állíthatja be.
- ◆ A szerszámot a fordulatszám-szabályzó kapcsolóval (1) kapcsolhatja be. A kapcsoló behúzásának mértékével arányosan nő a szerszám fordulatszáma.
- ◆ A szerszámot a kapcsoló elengedésével kapcsolhatja ki.

## Javaslatok a szerszám optimális használatához

### Fúrás

- ◆ Csak éles fúrószárat használjon.
- ◆ A biztonsági útmutatóban megadott módon támassza meg és rögzítse biztonságosan a munkadarabot.
- ◆ Használja a biztonsági útmutatóban említett megfelelő és szükséges biztonsági szerkezeteket.
- ◆ A biztonsági útmutatóban megadott módon biztosítsa és tartsa karban a munkaterületet.
- ◆ Nagyon lassan és csak enyhén nyomva működtesse a fúrót, amíg a furat elég nagy nem lesz ahhoz, hogy a fúrószár ne ugorjon ki belőle.
- ◆ A fúrószárat tengelyirányban nyomja. Akkor nyomást gyakoroljon a szerszámmra, hogy a fúrószár működhessen, de ne nyomja túl erősen, mert attól leállhat a motor, vagy elgörbülhet a fúrószár.
- ◆ Erősen és mindkét kezével tartsa a fúrót, hogy ne csavarodhasson.
- ◆ **ELAKADT FÚRÓT NE PRÓBÁLJON AZ INDÍTÓKAPCSOLÓ KI- ÉS BEKAPCSOLÁSÁVAL ÚJRAINDÍTANI. ATTÓL KÁROSODHAT A FÚRÓ.**
- ◆ Csökkentett nyomással és lassan fúrjon, amikor a furat utolsó részéhez ér, hogy csak minimális legyen az elakadás lehetősége.
- ◆ Járassa a motort, amikor a fúrót a kész furatból kihúzza. Így kisebb lesz a fúrószár beszorulásának esélye.
- ◆ Győződjön meg arról, hogy a kapcsolóval be- és ki lehet kapcsolni a fúrót.

### Fa fúrása

Fát a fém fúrásához használt csigafúró szárral vagy lapmaró szárral lehet fúrni. Ezeknek a fúrószáraknak élesnek kell lenniük, és gyakran ki kell őket húzni a furatból, hogy a fúrószár barázdáiból kitisztítsuk a törmeléket.

## Fém fúrása

Fém fúrásánál használjon kenőanyagot. Kivétel képez az öntöttvas és a sárgaréz, ezeket szárazon kell fúrni. A fúráshoz használható legjobb kenőanyagok a kénezett vágóolaj vagy a zsírolaj.

## Csavarozás

- ◆ Mindig a megfelelő típusú és méretű csavarozóhegyet használja.
- ◆ Ha a csavar csak nehezen hajtható be, kenőanyagként tegyen egy kevés folyékony mosószeret vagy szappant a csavarra.
- ◆ Mindig a csavarral egy vonalban tartsa a szerszámot és a csavarozóhegyet.

## Hibaelhárítás

Hiba	Lehetséges ok	Lehetséges megoldás
A szerszám nem indul be.	Az akkucsomag nincs feltöltve.	Ellenőrizze, milyen követelmények vonatkoznak az akkucsomag töltésére.
Az akkucsomag nem töltődik.	A töltő nincs bedugaszolva.	Dugaszolja a töltőt egy működő hálózati aljzatra.
	A környező levegő túl meleg vagy túl hideg.	Vigye a töltőt és az akkumulátort olyan környezetbe, ahol a levegő hőmérséklete 4,5 °C és +40,5 °C között van.
A szerszám hirtelen leáll.	Az akkucsomag hőmérséklete elérte a maximális határértéket.	Hagyja lehűlni az akkucsomagot.
	Lemerült az akku. (Az akkucsomagot a maximális élettartam érdekében úgy terveztük, hogy hirtelen lezárjon, amint lemerült a töltése.)	Helyezze a töltőre, és hagyja töltődni.

## Karbantartás

Az Ön BLACK+DECKER szerszámát minimális karbantartás melletti hosszú távú használatra terveztük. A szerszám folyamatosan kielégítő működése függ a megfelelő gondozástól és a rendszeres tisztítástól is.



Az Ön töltőkészüléke a rendszeres tisztításon kívül más karbantartást nem igényel.

**Figyelmeztetés!** Mielőtt bármilyen karbantartási műveletbe kezdene, vegye ki a szerszámból az akkumulátort. Tisztítás előtt húzza ki a töltő dugaszát a konnektorból.

- ◆ Puha kefével vagy száraz ronggyal rendszeresen tisztítsa meg a szerszám és a töltő szellőzőréseit.
- ◆ Nedves ronggyal rendszeresen tisztítsa le a motorburkolatot. Ne használjon súroló hatású vagy oldószer alapú tisztítószert.
- ◆ Rendszeresen nyissa ki a tokmányt és ütögesse meg, hogy a belsejéből kihulljon a por.

## Környezetvédelem



Elkülönítve gyűjtendő. Ezzel a szimbólummal jelölt termékeket és akkumulátorokat tilos a normál háztartási hulladékba dobni.

A termékek és akkumulátorok tartalmazhatnak visszanyerhető vagy újrahasznosítható anyagokat, ami csökkenti a nyersanyagok iránti igényt. Kérjük, hogy az elektromos termékeket és akkumulátorokat a helyi rendelkezések szerint hasznosíttassák újra. További információt itt talál: [www.2helpU.com](http://www.2helpU.com).

## Műszaki adatok

BDCDD186	
Feszültség	$V_{DC}$ 18
Üresjáratú fordulatszám	$min^{-1}$ 0 - 360 / 0 - 1400
Maximális nyomaték	Nm 17,5 / 40
Tokmány kapacitása	mm 1 - 10
Maximális fúrókapacitás	
fém/fa	mm 10 / 25
Súly	kg 0,84 (akkumulátorral 1,24)

Töltő 905898**	
Felvett feszültség	$V_{AC}$ 230
Leadott feszültség	$V_{DC}$ 18
Áramerősség	mA 200
Töltési idő (kb.)	óra 8 - 20

Töltő 905902**	
Felvett feszültség	$V_{AC}$ 230
Leadott feszültség	$V_{DC}$ 18
Áramerősség	mA 400
Töltési idő	óra 4 - 10

Töltő 905998**	
Felvett feszültség	$V_{AC}$ 230
Leadott feszültség	$V_{DC}$ 18
Áramerősség	Amp 1
Töltési idő (kb.)	óra 1,5 - 4

Akkumulátor BL1518	
Feszültség	$V_{AC}$ 18
Kapacitás	Ah 1,5
Típus	Li-ion

Akkumulátor BL2018	
Feszültség	$V_{AC}$ 18
Kapacitás	Ah 2,0
Típus	Li-ion

Akkumulátor BL4018	
Feszültség	$V_{AC}$ 18
Kapacitás	Ah 4,0
Típus	Li-ion

### Hangnyomásszint az EN 60745 szabvány szerint:

Hangnyomás ( $L_{pA}$ ) 65,2 dB(A), toleranciafaktor (K) 3 dB(A),  
Hangteljesítmény ( $L_{WA}$ ) 76,2 dB(A), toleranciafaktor (K) 3 dB(A)

### Súlyozott effektív rezgésgyorsulás összértéke (három tengely vektorösszege) az EN 60745 szabvány szerint:

Fúrás fémbe ( $a_{h,D}$ ) <1,3 m/s<sup>2</sup>, toleranciafaktor (K) 1,5 m/s<sup>2</sup>,  
Csavarozás ütés nélkül ( $a_{h,D}$ ) <0,6 m/s<sup>2</sup>, toleranciafaktor (K) 1,5 m/s<sup>2</sup>

**CE megfelelési nyilatkozat**  
GÉPEKRE VONATKOZÓ IRÁNYELV**BDCDD186 - Fúró-csavarozó A**

Black & Decker kijelenti, hogy a „Műszaki adatok” cím alatt ismertetett termékek megfelelnek a következő irányelveknek és szabványoknak: 2006/42/EK, EN 60745-1:2010, EN 60745-2-1:2010, EN 60745-2-2:2010.

Ezek a termékek megfelelnek a 2004/108/EK irányelvnek (2016/04/19-ig), a 2014/30/EU irányelvnek (2016/04/20-tól), valamint a 2011/65/EU irányelvnek is. További tájékoztatásért forduljon a Black & Decker vállalathoz az alábbi címen vagy a kézikönyv végén megadott elérhetőségeken.

Az aláírás tulajdonosa a műszaki adatok összeállításáért felelős személy; nyilatkozatát a Black & Decker vállalat nevében adja.

R. Laverick  
Műszaki igazgató  
Black & Decker Europe  
210 Bath Road, Slough  
Berkshire, SL1 3YD  
Egyesült Királyság  
2015/12/01

Az Önhöz legközelebb eső hivatalos márkaszervizt a kézikönyvben megadott helyi Black & Decker képviselő segítségével érheti el. Alternatív megoldásként a szerződött Black & Decker szervizek listája, illetve az eladásutáni szolgáltatásaink és ezek elérhetőségének részletes ismertetése a következő internetes címen érhető el:  
**[www.2helpU.com](http://www.2helpU.com)**.

Kérjük, látogassa meg a **[www.blackanddecker.hu](http://www.blackanddecker.hu)** weboldalunkat, hogy regisztrálja az új BLACK+DECKER termékét, ill. hogy megismerje az új termékeinkkel és egyedi ajánlatainkkal kapcsolatos legújabb híreinket. A BLACK+DECKER márkával és termékválasztékunkkal kapcsolatos további tájékoztatást a **[www.blackanddecker.hu](http://www.blackanddecker.hu)** internetes címen találhat.

## Przeznaczenie

Opisywana wiertarko-wkrętarka BLACK+DECKER BDCDD186 przeznaczona jest do wkręcania wkrętów i wiercenia w drewnie, metalu i tworzywach sztucznych. Opisywane urządzenie przeznaczone jest wyłącznie do użytku amatorskiego.

## Zasady bezpiecznej pracy

### Ogólne wskazówki dotyczące bezpiecznej pracy elektronarzędziami



**Ostrzeżenie! Zapoznaj się ze wszystkimi ostrzeżeniami dotyczącymi bezpiecznej pracy oraz z instrukcją obsługi.** Niestosowanie się do ostrzeżeń i zaleceń zawartych w tej instrukcji obsługi może być przyczyną porażenia prądem elektrycznym, pożaru i/lub poważnego zranienia.

### Zachowaj wszystkie instrukcje i informacje

dotyczące bezpiecznej pracy, aby móc korzystać z nich w przyszłości. Pojęcie "elektonarzędzie" używane w niniejszej instrukcji, oznacza narzędzie zasilane z sieci elektrycznej (przewodem zasilającym) lub akumulatorami (bezprowodowe).

#### 1. Bezpieczeństwo w miejscu pracy

- a. **Miejsce pracy musi być czyste i dobrze oświetlone.** Miejsca ciemne i takie, w których panuje nieporządek, stwarzają ryzyko wypadku.
- b. **Nie wolno używać elektronarzędzi w strefach zagrożenia wybuchem, w pobliżu palnych cieczy gazów czy pyłów.** Elektronarzędzia mogą wytworzyć iskry powodujące zapłon pyłów lub oparów.
- c. **W czasie pracy elektronarzędziami nie pozwalaj na przebywanie w pobliżu dzieci i innych osób postronnych.** Chwila nieuwagi może spowodować utratę kontroli nad narzędziem.

#### 2. Ochrona przed porażeniem prądem elektrycznym

- a. **Gniazdo musi być dostosowane do wtyczki elektronarzędzia. Nie wolno przerabiać wtyczek. Nie używaj żadnych łączników lub rozdzielaczy elektrycznych z uziemionymi elektronarzędziami.** Nieprzerabiane wtyczki i odpowiednie gniazda zmniejszają ryzyko porażenia prądem elektrycznym.

- b. **Należy unikać bezpośredniej styczności z uziemionymi lub zerowanymi powierzchniami, takimi jak rurociągi, grzejniki, kuchenki i lodówki.** Ryzyko porażenia prądem elektrycznym wzrasta, jeśli Twoje ciało jest uziemione.
  - c. **Nie narażaj elektronarzędzi na działanie deszczu lub zwiększonej wilgotności.** Woda, która dostanie się do wnętrza elektronarzędzia zwiększa ryzyko porażenia prądem elektrycznym.
  - d. **Nie wolno ciągnąć za przewód zasilający. Nie wolno ciągnąć, podnosić ani wyciągać wtyczki z gniazda, poprzez ciągnięcie za przewód zasilający narzędzia. Chroń przewód zasilający przed kontaktem z gorącymi elementami, olejami, ostrymi krawędziami i ruchomymi częściami.** Uszkodzenie lub zaplątanie przewodu zasilającego zwiększa ryzyko porażenia prądem elektrycznym.
  - e. **W czasie pracy elektronarzędziem poza pomieszczeniami zamkniętymi, należy używać przystosowanych do tego przedłużaczy.** Korzystanie z przedłużaczy przystosowanych do użycia na dworze zmniejsza ryzyko porażenia prądem.
  - f. **Jeśli zachodzi konieczność używania narzędzia w wilgotnym otoczeniu, należy używać źródła zasilania zabezpieczonego wyłącznikiem różnicowoprądowym.** Stosowanie wyłączników różnicowoprądowych zmniejsza ryzyko porażenia prądem elektrycznym.
- #### 3. Środki ochrony osobistej
- a. **W czasie pracy elektronarzędziem zachowaj czujność, patrz uważnie i kieruj się zdrowym rozsądkiem. Nie używaj elektronarzędzia w stanie zmęczenia, pod wpływem narkotyków, alkoholu lub leków.** Nawet chwila nieuwagi w czasie pracy elektronarzędziem może doprowadzić do poważnego uszkodzenia ciała.
  - b. **Używaj środków ochrony osobistej. Zawsze zakładaj okulary ochronne.** Używanie, w miarę potrzeb, środków ochrony osobistej, takich jak maska przeciwpyłowa, buty ochronne z antypoślizgową podeszwą, kask czy ochronniki słuchu, zmniejsza ryzyko odniesienia uszczerbku na zdrowiu.
  - c. **Zapobiegaj przypadkowemu włączeniu. Przed przyłączeniem do zasilania i/lub**

- włożeniem akumulatorów oraz przed podniesieniem i przenoszeniem narzędzia, **upewnij się, że wyłącznik znajduje się w pozycji "wyłączone"**. Trzymanie palca na wyłączniku podczas przenoszenia lub podłączenie włączonego narzędzia do zasilania łatwo staje się przyczyną wypadków.
- d. **Przed włączeniem elektronarzędzia usuń wszelkie klucze lub narzędzia do regulacji.** Klucz pozostawiony zamocowany do obrotowej części elektronarzędzia może spowodować obrażenia.
  - e. **Nie wychylaj się nadmiernie. Przez cały czas zachowuj solidne oparcie nóg i równowagę.** Dzięki temu masz lepszą kontrolę nad elektronarzędziem w nieoczekiwanych sytuacjach.
  - f. **Zakładaj odpowiednią odzież. Nie noś luźnych ubrań ani biżuterii. Trzymaj włosy, ubranie i rękawice z dala od ruchomych elementów.** Luźne ubranie, biżuteria lub długie włosy mogą zostać pochwycone przez ruchome części.
  - g. **Jeśli sprzęt jest przystosowany do przyłączenia urządzeń odprowadzających i zbierających pył, upewnij się, czy są one przyłączone i właściwie użytkowane.** Używanie takich urządzeń zmniejsza zagrożenia związane z obecnością pyłów.
4. **Obsługa i konserwacja elektronarzędzi**
    - a. **Nie przeciążaj elektronarzędzia. Używaj elektronarzędzi odpowiednich do rodzaju wykonywanej pracy.** Dzięki odpowiednim elektronarzędziom wykonasz pracę lepiej i w sposób bezpieczny, w tempie, do jakiego narzędzie zostało zaprojektowane.
    - b. **Nie wolno używać elektronarzędzia z zepsutym wyłącznikiem, który nie pozwala na sprawne włączanie i wyłączanie.** Narzędzie, którego nie można kontrolować za pomocą włącznika nie może być używane i musi zostać naprawione.
    - c. **Przed przystąpieniem do regulacji, wymiany akcesoriów oraz przed schowaniem elektronarzędzia, należy odłączyć wtyczkę od źródła zasilania i/ lub odłączyć akumulator od urządzenia.** Takie środki zapobiegawcze zmniejszają ryzyko przypadkowego uruchomienia elektronarzędzia.
    - d. **Nie używane elektronarzędzie przechowuj poza zasięgiem dzieci i nie dopuszczaj**
      - osób nie znających elektronarzędzia lub tej instrukcji do posługiwania się elektronarzędziem. Elektronarzędzia są niebezpieczne w rękach niewprawnego użytkownika.
  - e. **Regularnie dokonuj konserwacji elektronarzędzi. Sprawdź, czy ruchome części są właściwie połączone i zamocowane, czy części nie są uszkodzone oraz skontroluj wszelkie inne elementy mogące mieć wpływ na pracę elektronarzędzia. Wszystkie uszkodzenia należy naprawić przed rozpoczęciem użytkowania.** Wiele wypadków jest spowodowanych źle utrzymanymi elektronarzędziami.
  - f. **Dbaj o czystość narzędzi i ostrość elementów tnących.** Prawidłowo utrzymane narzędzia do cięcia o ostrych krawędziach tnących rzadziej się zakleszczają i są łatwiejsze do kontrolowania.
  - g. **Elektronarzędzi, akcesoriów i końcówek itp., należy używać zgodnie z instrukcją obsługi, uwzględniając warunki i rodzaj wykonywanej pracy.** Użycie elektronarzędzi niezgodnie z przeznaczeniem może być bardzo niebezpieczne.
5. **Użytkowanie i konserwacja narzędzi zasilanych akumulatorowo**
    - a. **Używaj wyłącznie ładowarki zalecanej przez producenta.** Użycie ładowarki do ładowania akumulatorów innych niż dołączone, może stać się przyczyną pożaru.
    - b. **Do zasilania elektronarzędzi należy używać właściwych rodzajów akumulatorów.** Użycie innych akumulatorów stwarza ryzyko zranienia i pożaru.
    - c. **Nie używane akumulatory należy przechowywać z dala od metalowych przedmiotów, takich jak spinacze biurowe, monety, klucze, gwoździe, wkręty, itp., które mogłyby doprowadzić do zwarcia biegunów.** Zwarcie biegunów może być przyczyną oparzenia lub pożaru.
    - d. **W przypadku zniszczenia płyn może wypłynąć z akumulatora; unikaj kontaktu z tą substancją. W razie styczności, obficie przemywać wodą. W przypadku dostania się płynu do oczu, należy zgłosić się do lekarza.** Płyn wydostający się z akumulatorów może powodować podrażnienia lub oparzenia.

## 6. Naprawy

- a. **Powierzaj naprawy elektronarzędzi wyłącznym osobom wykwalifikowanym, używającym identycznych części zamiennych.** Zagwarantuje to bezpieczeństwo elektronarzędzia.

### Bezpieczne użytkowanie elektronarzędzi - wskazówki dodatkowe



**Ostrzeżenie!** Dodatkowe wskazówki dotyczące bezpiecznego użytkowania wiertarek

- ◆ **Używaj dodatkowych uchwytów dołączonych do narzędzia.** Utrata kontroli nad narzędziem może spowodować uszkodzenie ciała.
- ◆ **Trzymaj elektronarzędzie tylko za izolowane uchwyty, jeśli wykonujesz pracę w miejscu, gdzie może dojść do zetknięcia akcesoria tnącego z ukrytymi przewodami.** Przecięcie przewodu pod napięciem może spowodować pojawienie się napięcia na metalowych częściach obudowy i porażenie prądem operatora.
- ◆ **Trzymaj elektronarzędzie tylko za izolowane uchwyty, jeśli wykonujesz pracę w miejscu, gdzie może dojść do zetknięcia elementu złącznego z ukrytymi przewodami.** Zetknięcie elementu złącznego z przewodem pod napięciem może spowodować pojawienie się napięcia na odsłoniętych metalowych częściach obudowy i porażenie prądem operatora.
- ◆ **Obrobiany element należy zamocować do blatu roboczego za pomocą zacisków lub innych praktycznych uchwytów.** Trzymanie obrabianego elementu w rękach lub oparcie go o ciało nie daje dostatecznej stabilizacji i może spowodować utratę kontroli nad narzędziem.
- ◆ Przed rozpoczęciem wiercenia w ścianach, podłodze czy suficie, ustal położenie przewodów i rur.
- ◆ Nie dotykaj wiertła bezpośrednio po zakończeniu wiercenia, ponieważ może być ono bardzo rozgrzane.
- ◆ Przeznaczenie urządzenia opisane jest w niniejszej instrukcji obsługi. Używanie jakichkolwiek akcesoriów lub wykonywanie prac sprzecznych z przeznaczeniem opisywanym w instrukcji obsługi, może powodować niebezpieczeństwo uszkodzenia ciała i/lub uszkodzenia mienia.

## Bezpieczeństwo osób postronnych

- ◆ Opisowane narzędzie nie może być używane przez osoby (dot. także dzieci), które mają ograniczone możliwości ruchowe, percepcji lub pojmowania lub brakuje im doświadczenia i wiedzy, z wyjątkiem przypadku, gdy pozostają one pod nadzorem osoby odpowiedzialnej za ich bezpieczeństwo lub zostały przez nią przeszkolone w zakresie obsługi urządzenia.
- ◆ Należy pilnować dzieci, aby nie bawiły się urządzeniem.

## Pozostałe zagrożenia

W czasie pracy elektronarzędziem mogą powstać zagrożenia, które nie zostały uwzględnione w załączonej instrukcji dotyczącej bezpiecznego użytkowania. Zagrożenia te mogą wynikać z niewłaściwego użytkowania, zbyt intensywnej eksploatacji lub innych przyczyn.

Nawet w przypadku przestrzegania zasad bezpiecznej pracy i stosowania środków ochronnych, nie jest możliwe uniknięcie pewnych zagrożeń. Należą do nich:

- ◆ Zranienia wynikające z dotknięcia wirujących/ ruchomych elementów.
- ◆ Zranienia w czasie wymiany części, ostrzy lub akcesoriów.
- ◆ Zranienia związane ze zbyt długotrwałym użytkowaniem narzędzia. Pracując przez dłuższy czas, należy robić regularne przerwy.
- ◆ Ryzyko uszkodzenia słuchu.
- ◆ Zagrożenie dla zdrowia spowodowane wdychaniem pyłu wytwarzanego podczas użytkowania urządzenia (np. podczas pracy w drewnie, szczególnie dębowym, bukowym oraz MDF).

## Drgania

Podawana w tabeli danych technicznych oraz w deklaracji zgodności z normami wartość drgań (wibracji), została zmierzona zgodnie ze standardową procedurą zawartą w normie EN 60745. Informacja ta może służyć do porównywania tego narzędzia z innymi. Deklarowana wartość emitowanych drgań może również służyć do przewidywania stopnia narażenia użytkownika na drgania.

**Ostrzeżenie!** Chwilowa siła drgań, występująca w czasie pracy elektronarzędziem, może odbiegać od podawanych wartości, w zależności od sposobu użytkowania urządzenia. Poziom drgań może przekroczyć podawaną wartość.

Przy określaniu ekspozycji na drgania, w celu podjęcia środków ochrony osób zawodowo użytkujących elektronarzędzia, zgodnie z dyrektywą 2002/44/WE, należy uwzględnić rzeczywiste warunki i rodzaj wykonywanej pracy. Także okresy przestoju i pracy bez obciążenia.

### Symbole na urządzeniu

Następujące piktogramy są umieszczone na urządzeniu wraz z kodem daty:



**Ostrzeżenie!** Aby zminimalizować ryzyko zranienia, użytkownik musi zapoznać się z instrukcją obsługi.

### Dodatkowe instrukcje bezpieczeństwa dotyczące akumulatorów i ładowarek (nie dołączone do narzędzia)

#### Akumulatory

- ◆ Pod żadnym pozorem nie wolno otwierać.
- ◆ Nie wolno wystawiać akumulatorów na działanie wody.
- ◆ Nie wolno przechowywać w miejscach, w których temperatura może przekroczyć 40 °C.
- ◆ Ładować tylko w zakresie temperatur od 10 °C do 40 °C.
- ◆ Do ładowania używać wyłącznie fabrycznie dołączonej ładowarki.
- ◆ Utylizację akumulatorów należy przeprowadzić zgodnie z instrukcją podaną w rozdziale "Ochrona środowiska".



Nie wolno ładować uszkodzonych akumulatorów.

#### Ładowarki

- ◆ Ładowarka BLACK+DECKER służy wyłącznie do ładowania akumulatorów w narzędziu, z którym została dostarczona. Ładowanie innych akumulatorów może spowodować ich rozsadzenie i być przyczyną zranienia oraz innych szkód.
- ◆ Nie wolno ładować baterii jednorazowego użytku, nie przeznaczonych do wielokrotnego ładowania.
- ◆ Wadliwe przewody zasilające należy natychmiast wymieniać.
- ◆ Nie wolno wystawiać ładowarki na działanie wody.
- ◆ Nie rozkręcać ładowarki.
- ◆ Nie podłączać do ładowarki mierników.



Ładowarka przeznaczona jest wyłącznie do użycia wewnątrz pomieszczeń zamkniętych.



Przed użyciem należy przeczytać instrukcję obsługi.

### Ochrona przed porażeniem prądem elektrycznym



Ładowarka ma podwójną izolację, dlatego też przewód uziemiający nie jest potrzebny. Należy zawsze upewnić się, czy napięcie zasilania odpowiada napięciu podanemu na tabliczce znamionowej. Nigdy nie próbuj zastępować ładowarki zasilaniem sieciowym.

- ◆ Ze względów bezpieczeństwa wymianę uszkodzonego przewodu zasilającego należy powierzyć producentowi lub autoryzowanemu centrum serwisowemu BLACK+DECKER.

### Wyposażenie

Opisywane narzędzie wyposażone jest w kilka lub wszystkie z poniższych elementów.

1. Wyłącznik z regulacją prędkości obrotowej
2. Przełącznik kierunku obrotów
3. Pierścień regulacji momentu obrotowego
4. Uchwyt bezkluczykowy
5. Dwa zakresy przełożenia
6. Oświetlenie LED
7. Akumulator
8. Przycisk zwalniania akumulatora
9. Uchwyt na końcówki

### Montaż

**Ostrzeżenie!** Uwzględnij tempo pracy urządzenia. Nie przeciążać narzędzia.

### Ładowanie akumulatorów (Rys. A)

Akumulator należy naładować przed pierwszym użyciem oraz zawsze wtedy, gdy jego moc spada i jest niewystarczająca do wykonywania przeciętnych zadań. W trakcie ładowania temperatura akumulatora może wzrastać; jest to normalne zjawisko i nie wskazuje na wystąpienie jakiegokolwiek problemu.

**Ostrzeżenie!** Nie wolno ładować akumulatorów przy temperaturze otoczenia poniżej 10 °C lub powyżej 40 °C. Zalecana temperatura ładowania to około 24 °C.

**Uwaga: Ładowarka nie rozpocznie ładowania akumulatora, jeżeli temperatura ogniw będzie niższa niż 10 °C lub wyższa od 40 °C. W takim przypadku pozostawić akumulator w ładowarce i odczekać, aż proces ładowania zostanie uruchomiony po uzyskaniu przez akumulator odpowiedniej temperatury.**

- ◆ Podłączyć ładowarkę do dowolnego standardowego gniazda sieciowego o napięciu 230 V i częstotliwości 50 Hz.
- ◆ Wsunąć akumulator w ładowarkę zgodnie z rys. A.
- ◆ Zielona dioda LED będzie migać, wskazując na ładowanie akumulatora.
- ◆ O zakończeniu ładowania informuje stałe światło zielonej diody LED. Akumulator jest całkowicie naładowany i można go użyć od razu lub pozostawić w ładowarce.

**Ostrzeżenie!** Ryzyko pożaru. W przypadku odłączania ładowarki od urządzenia pamiętać, aby najpierw odłączyć ładowarkę od gniazdka, a następnie odłączyć przewód ładowarki od narzędzia.

### Wkładanie i wyjmowanie akumulatora do/z narzędzia (Rys. B)

**Ostrzeżenie!** Dopilnować, aby przycisk blokady był wciśnięty, aby zapobiec włączeniu narzędzia podczas wyjmowania lub wkładania akumulatora. Aby włożyć akumulator:

- ◆ Wkładać akumulator do narzędzia, aż do usłyszenia kliknięcia (Rys. B)

### Wyjmowanie akumulatora z narzędzia (Rys. C)

- ◆ Wcisnąć przycisk zwalniania akumulatora zgodnie z Rys. C i wyjąć akumulator z narzędzia.

### Instrukcja obsługi

#### Przełącznik spustowy i przycisk zmiany kierunku obrotów

- ◆ Wiertarkę włącza się i wyłącza, naciskając i zwalnając przełącznik spustowy (1). Im mocniej spust zostanie wciśnięty, tym wyższa będzie prędkość obrotowa wiertarki.
- ◆ Przełącznik kierunku obrotów (2) określa kierunek obrotów narzędzia i służy również jako przycisk blokady.
- ◆ Aby wybrać obroty w lewo, nacisnąć przełącznik spustowy i wcisnąć przełącznik kierunku obrotów w lewo.
- ◆ Aby wybrać obroty w prawo, nacisnąć przełącznik kierunku obrotów w przeciwnym kierunku.

**Uwaga:** Środkowe położenie przełącznika kierunku obrotów blokuje narzędzie w położeniu wyłączonym. Podczas zmiany pozycji przełącznika kierunku obrotów, przełącznik spustowy nie może być wciśnięty.

### Regulator momentu obrotowego (Rys. D)

To narzędzie jest wyposażone w pierścień regulacji momentu obrotowego (3) służący do wyboru trybu pracy oraz do ustawienia momentu dokręcania śrub. Duże śruby oraz obrabiane elementy o dużej twardości wymagają zastosowania wyższego momentu niż mniejsze śruby oraz elementy z miękkiego materiału.

- ◆ W celu wiercenia w drewnie, metalu i tworzywach sztucznych, ustawić pierścień na położenie oznaczone symbolem wiercenia
- ◆ W przypadku wkręcania śrub ustawić pierścień w żądanym położeniu. Jeżeli prawidłowe ustawienie nie jest znane, zastosować następującą procedurę:
- ◆ Ustawić pierścień w położeniu najniższego momentu.
- ◆ Dokręcić pierwszą śrubę.
- ◆ Jeżeli przed całkowitym dokręceniem śruby sprzęgło zacznie grzechotać, zwiększyć moment przez odpowiednie ustawienie pierścienia i dokręcić śrubę. Powtarzać ten krok, aż do uzyskania odpowiedniego ustawienia. Wykorzystać tak ustalone ustawienie do dokręcenia pozostałych śrub.

### Uchwyt bezkluczykowy (Rys. E)

**Ostrzeżenie!** Dopilnować, aby przycisk blokady był wciśnięty, aby zapobiec włączeniu narzędzia podczas wyjmowania lub wkładania akcesoriów. Aby włożyć wiertło lub inną końcówkę:

- ◆ Chwycić tylną połowę uchwytu (4) jedną ręką, a drugą ręką obracać przednią połowę uchwytu przeciwnie do wskazówek zegara, patrząc od końca uchwytu.
- ◆ Włożyć wiertło lub inne narzędzie do oporu w uchwyt i mocno dokręcić uchwyt, trzymając za tylną połowę uchwytu i obracając przednią połowę uchwytu zgodnie ze wskazówkami zegara, patrząc od końca uchwytu.

**Ostrzeżenie!** Nie podejmować prób dokręcenia wiertła (lub innych akcesoriów) poprzez chwytnię za przednią część uchwytu i włączanie narzędzia. Może dojść do uszkodzenia uchwytu i obrażeń ciała podczas wymiany akcesoriów.

### Dwa zakresy przełożenia (Rysunek F)

Funkcja dwóch przełożeń narzędzia pozwala na zmianę biegów, co zwiększa jego wszechstronność. Aby wybrać ustawienie niskich obrotów i wysokiego momentu obrotowego (pozycja 1), wyłączyć narzędzie i poczekać, aż się zatrzyma. Przesunąć przełącznik (5) z dala

od uchwytu. Aby wybrać ustawienie wysokich obrotów i niskiego momentu obrotowego (pozycja 2), wyłączyć narzędzie i poczekać, aż się zatrzyma. Przesunąć przełącznik w kierunku uchwytu.

**Uwaga:** Nie zmieniać biegów podczas pracy narzędzia. Jeśli zmiana biegu jest utrudniona, sprawdzić, czy przełącznik zmiany biegów został do końca cofnięty lub przesunięty naprzód.

### Wiercenie/wkręcanie

- ◆ Wybrać kierunek obrotów za pomocą przełącznika kierunku obrotów (2).
- ◆ Aby włączyć narzędzie, nacisnąć przełącznik (1). Prędkość obrotowa zależy od głębokości wciśnięcia przełącznika.
- ◆ Aby wyłączyć narzędzie, zwolnić przełącznik.

### Wskazówki praktyczne

#### Wiercenie

- ◆ Używaj jedynie ostrych wiertel.
- ◆ Podeprzeć i zabezpieczyć odpowiednio obrabiany element, zgodnie z instrukcjami dotyczącymi bezpieczeństwa.
- ◆ Używać odpowiedniego i wymaganego wyposażenia zabezpieczającego, zgodnie z instrukcjami dotyczącymi bezpieczeństwa.
- ◆ Zabezpieczyć i oczyścić odpowiednio obszar pracy, zgodnie z instrukcjami dotyczącymi bezpieczeństwa.
- ◆ Rozpocząć wiercenie bardzo powoli, używając lekkiego nacisku, aż do powstania otworu o rozmiarze pozwalającym na to, aby wiertło się z niego nie wyszłizgiwało i nie wyskakiwało.
- ◆ W czasie wiercenia, naciskać wiertarkę prosto w osi wiertła. Naciskać z siłą wystarczającą, aby wiertło wgrzyzało się w materiał, ale nie naciskać wiertarki na tyle, aby dochodziło do utykania silnika lub zeszlizgiwania się wiertła.
- ◆ Trzymać narzędzie mocno dwiema rękami, aby panować nad jego obrotami wokół własnej osi.
- ◆ **NIE NACISKAĆ RAZ ZA RAZEM WŁĄCZNIKA SPUSTOWEGO WIERTARKI, KTÓREJ SILNIK UTKNAŁ, PRÓBUJĄC JĄ URUCHOMIĆ. MOŻE TO SPowodować USZKODZENIE WIERTARKI.**
- ◆ Minimalizować utykanie w momencie przewiercenia, zmniejszając nacisk i powoli wierząc ostatni odcinek otworu.
- ◆ Wycofując wiertło z wywierconego otworu, utrzymywać włączony silnik. Pomoże to zredukować utykanie wiertła.

- ◆ Sprawdzić, czy włączenie i wyłączenie wiertarki jest możliwe.

### Wiercenie w drewnie

Otworki w drewnie można wykonać przy użyciu tych samych wiertel krętych, jakich używa się do metalu, lub wiertel piórkowych. Takie wiertła muszą być ostre i należy je często wyjmować podczas wiercenia w celu usuwania wiórów z piórek lub rowków.

### Wiercenie w metalu

Podczas wiercenia w metalu korzystaj z specjalnych płynów obróbkowych. Wyjątkiem jest wiercenie w żeliwie i mosiądzu, w których należy wiercić na sucho. W roli płynu obróbkowego najlepiej stosować olej siarkowany lub olej smalcowy.

### Wkręcanie śrub

- ◆ Zawsze używać właściwego typu i rozmiaru końcówek.
- ◆ Jeśli występują trudności z dokręceniem wkrętów, można spróbować nałożyć małą ilość płynu do zmywania lub mydła jako smaru.
- ◆ Dbać o proste ustawienie wkrętaka, końcówki i wkrętu.

### Rozwiązywanie problemów

Problem	Prawdopodobna przyczyna	Propozycja rozwiązania
Urządzenie nie uruchamia się.	Akumulator nie naładowany.	Sprawdzić wymogi dotyczące ładowania akumulatora.
Akumulator nie ładuje się.	Ładowarka nie podłączona.	Podłączyć ładowarkę do sprawnego gniazdka.
	Temperatura otoczenia za wysoka lub za niska.	Przenieść ładowarkę i akumulator w miejsce z temperaturą powietrza powyżej 4,5 °C lub poniżej 40,5 °C.
Urządzenie nagle się wyłącza.	Akumulator osiągnął limit termiczny.	Poczekaj, aż akumulator ostygnie.
	Brak ładunku akumulatora. (Aby wydłużyć trwałość akumulatora, wyłącza się on nagle, gdy jest rozładowany)	Położyć na ładowarce i poczekać na naładowanie.



## Konserwacja

Narzędzia BLACK+DECKER zostały zaprojektowane tak, aby zapewnić długoletnią, prawie bezobsługową, pracę urządzenia. Aby długo cieszyć się właściwą pracą urządzenia, należy odpowiednio o nie dbać i regularnie je czyścić.

Ładowarka nie wymaga, oprócz okresowego czyszczenia, żadnej dodatkowej konserwacji.

**Ostrzeżenie!** Przed przystąpieniem do konserwacji, należy wyjąć akumulator z narzędzia. Przed czyszczeniem wyjąć wtyczkę ładowarki z gniazda zasilającego.

- ◆ Otwory wentylacyjne w narzędziu i ładowarce należy okresowo czyścić przy użyciu miękkiej szczoteczki lub kawałka suchej tkaniny.
- ◆ Regularnie czyść obudowę silnika wilgotną ściereczką. Nie używaj środków czyszczących ściernych ani zawierających rozpuszczalniki.
- ◆ Okresowo rozkręcać szczęki zaciskowe aby usunąć zebrane wewnątrz zanieczyszczenia.

## Ochrona środowiska



Selektywna zbiórka odpadów. Produktów i akumulatorów oznaczonych tym symbolem nie wolno usuwać ze zwykłymi odpadami z gospodarstw domowych.

Produkty i akumulatory zawierają materiały, które można odzyskać lub poddać recyklingowi, zmniejszając zapotrzebowania na surowce. Oddawać produkty elektryczne i akumulatory do recyklingu zgodnie z krajowymi przepisami. Więcej danych na stronie [www.2helpU.com](http://www.2helpU.com).

## Dane techniczne

BDCDD186		
Napięcie	$V_{\text{prądu stałego}}$	18
Prędkość obr.		
bez obciążenia	$\text{min.}^{-1}$	0 - 360 / 0 - 1400
Maks. moment obrotowy	Nm	17,5 / 40
Rozmiar uchwytu	mm	1 - 10
Maks. głębokość wiercenia		
Stal/drewno	mm	10 / 25
Ciężar	kg	0,84 (z akumulatorem 1,24)

Ładowarka 905898**		
Napięcie wejściowe	$V_{\text{prądu zmiennego}}$	230
Napięcie wyjściowe	$V_{\text{prądu stałego}}$	18
Natężenie	mA	200
Przybliżony czas ładowania	h	8 - 20

Ładowarka 905902**		
Napięcie wejściowe	$V_{\text{prądu zmiennego}}$	230
Napięcie wyjściowe	$V_{\text{prądu stałego}}$	18
Natężenie	mA	400
Przybliżony czas ładowania	h	4 - 10

Ładowarka 905998**		
Napięcie wejściowe	$V_{\text{prądu zmiennego}}$	230
Napięcie wyjściowe	$V_{\text{prądu stałego}}$	18
Natężenie	A	1
Przybliżony czas ładowania	h	1,5 - 4

Akumulator BL1518		
Napięcie	$V_{\text{prądu zmiennego}}$	18
Pojemność	Ah	1,5
Typ		Litowo-jonowy

Akumulator BL2018		
Napięcie	$V_{\text{prądu zmiennego}}$	18
Pojemność	Ah	2,0
Typ		Litowo-jonowy

Akumulator BL4018		
Napięcie	$V_{\text{prądu zmiennego}}$	18
Pojemność	Ah	4,0
Typ		Litowo-jonowy

### Poziom ciśnienia akustycznego zgodnie z EN 60745:

Ciężenie akustyczne ( $L_{pA}$ ) 65,2 dB(A), niepewność pomiarowa (K) 3 dB(A), moc akustyczna ( $L_{WA}$ ) 76,2 dB(A), niepewność pomiarowa (K) 3 dB(A)

### Sumaryczna wielkość drgań (suma wektorów trzech osi) zgodnie z normą EN 60745:

Wiercenie w metalu ( $a_{h,D}$ ) <1,3 m/s<sup>2</sup>, niepewność pomiaru (K) 1,5 m/s<sup>2</sup>, wkręcanie bez uderu ( $a_{h,D}$ ) <0,6 m/s<sup>2</sup>, niepewność (K) 1,5 m/s<sup>2</sup>

**Deklaracja zgodności WE**  
DYREKTYWA MASZYNOWA**BDCDD186 - wiertarko-wkrętarka**

Firma Black & Decker ~~oświadcza, że~~ produkty opisane w sekcji "dane techniczne" spełniają wymagania norm: 2006/42/WE, EN 60745-1:2010, EN 60745-2-1:2010, EN 60745-2-2:2010.

Te produkty są również zgodne z wymogami dyrektywy 2004/108/WE (do 19/04/2016 r.), 2014/30/UE (od 20/04/2016 r.) oraz 2011/65/UE. Aby otrzymać więcej informacji, należy skontaktować się z firmą Black & Decker pod adresem podanym poniżej lub na końcu instrukcji.

Osoba niżej podpisana odpowiedzialna jest za zestawienie informacji technicznych i złożenie deklaracji zgodności w imieniu firmy Black & Decker.

R. Laverick  
Engineering Manager  
Black & Decker Europe  
210 Bath Road, Slough  
Berkshire, SL1 3YD  
Wielka Brytania  
01.12.2015

**Gwarancja**

Firma Black & Decker jest pewna jakości swoich produktów i oferuje klientom 24 miesiące gwarancji od daty zakupu. Udzielona gwarancja stanowi rozszerzenie i w żaden sposób nie uchyla ustawowych praw użytkowników. Gwarancja obowiązuje na terenie krajów członkowskich Unii Europejskiej i Europejskiej Strefy Wolnego Handlu.

Aby skorzystać z gwarancji, roszczenie gwarancyjne musi być zgodne z Warunkami Black & Decker i konieczne jest przedłożenie dowodu zakupu sprzedawcy lub pracownikowi autoryzowanego serwisu.

Warunki 2-letniej gwarancji Black & Decker oraz lokalizację najbliższego autoryzowanego serwisu można uzyskać na stronie internetowej **www.2helpU.com** lub kontaktując się z lokalnym biurem Black & Decker pod adresem podanym w tej instrukcji.

Zapraszamy na naszą stronę internetową **www.blackanddecker.co.uk**, aby zarejestrować swój produkt Black & Decker i otrzymywać informacje o nowych produktach i ofertach specjalnych.

## BLACK+DECKER

### WARUNKI GWARANCJI:

Produkty marki BLACK+DECKER reprezentują bardzo wysoką jakość, dlatego oferujemy dla nich korzystne warunki gwarancyjne. Niniejsze warunki gwarancji nie pomniejszają praw klienta wynikających z polskich regulacji ustawowych lecz są ich uzupełnieniem. Gwarancja jest ważna na terenie Rzeczypospolitej Polskiej.

BLACK+DECKER gwarantuje sprawne działanie produktu w przypadku postępowania zgodnego z warunkami techniczno-eksploatacyjnymi opisanymi w instrukcji obsługi.

Niniejszą gwarancją nie jest objęte dodatkowe wyposażenie, jeżeli nie została do niego dołączona oddzielna karta gwarancyjna oraz elementy wyrobu podlegające naturalnemu zużyciu.

1. Niniejszą gwarancją objęte są usterki produktu spowodowane wadami produkcyjnymi i wadami materiałowymi.
2. Niniejsza gwarancja jest ważna po przedstawieniu przez Klienta w Centralnym Serwisie Gwarancyjnym reklamowanego produktu oraz łącznie:
  - a) poprawnie wypełnionej karty gwarancyjnej;
  - b) ważnego paragonu zakupu z datą sprzedaży taką, jak w karcie gwarancyjnej lub kopii faktury.
3. Gwarancja obejmuje bezpłatną naprawę urządzenia (wraz z bezpłatną wymianą uszkodzonych części) w okresie 24 miesięcy od daty zakupu.
4. Produkt reklamowany musi być:
  - a) dostarczony bezpośrednio do Centralnego Serwisu Gwarancyjnego wraz z poprawnie wypełnioną Kartą Gwarancyjną i ważnym paragonem zakupu (lub kopią faktury) oraz szczegółowym opisem uszkodzenia, lub
  - b) przesłany do Centralnego Serwisu Gwarancyjnego za pośrednictwem punktu sprzedaży wraz z dokumentami wymienionymi powyżej.
5. Koszty wysyłki do Centralnego Serwisu Gwarancyjnego ponosi Serwis. Wszelkie koszty związane z zapewnieniem bezpiecznego opakowania, ubezpieczeniem i innym ryzykiem ponosi Klient. W przypadku odrzucenia roszczenia gwarancyjnego, produkt jest odsyłany do miejsca nadania na koszt adresata.
6. Usterki ujawnione w okresie gwarancji będą usunięte przez Centralny Serwis Gwarancyjny w terminie:
  - a) 14 dni roboczych od daty przyjęcia produktu przez Centralny Serwis Gwarancyjny;
  - b) termin usunięcia wady (punkt 6a) może być wydłużony o czas niezbędny do importu niezbędnych części zamiennych.
7. Klient otrzyma nowy sprzęt, jeżeli:
  - a) Centralny Serwis Gwarancyjny stwierdzi na piśmie, że usunięcie wady jest niemożliwe;
  - b) produkt nie podlega naprawie, tylko wymianie bez dokonywania naprawy.
8. O ile taki sam produkt jest nieosiągalny, może być wydany nowy produkt o nie gorszych parametrach.
9. Decyzja Centralnego Serwisu Gwarancyjnego odnośnie zasadności zgłaszanych usterek jest decyzją ostateczną.
10. Gwarancją nie są objęte:
  - a) wadliwe działanie lub uszkodzenia spowodowane niewłaściwym użytkowaniem lub użytkowaniem produktu niezgodnie z przeznaczeniem, instrukcją obsługi lub przepisami bezpieczeństwa. W szczególności profesjonalne użytkowanie amatorskich narzędzi BLACK+DECKER powoduje utratę gwarancji;
  - b) wadliwe działanie lub uszkodzenia spowodowane przeciążaniem narzędzia, które prowadzi do uszkodzeń siłnika, przekładni lub innych elementów a także stosowaniem osprzętu innego niż zalecany przez BLACK+DECKER;
  - c) mechaniczne uszkodzenia produktu i wywołane nimi wady;
  - d) wadliwe działanie lub uszkodzenia na skutek działania pożaru, powodzi, czy też innych klęsk żywiołowych, nieprzewidzianych wypadków, korozji, normalnego zużycia w eksploatacji czy też innych czynników zewnętrznych;
  - e) produkty, w których naruszone zostały pomyły gwarancyjne lub, które były naprawiane poza Centralnym Serwisem Gwarancyjnym lub były przerabiane w jakikolwiek sposób;
  - f) osprzęt eksploatacyjny dołączony do urządzenia oraz elementy ulegające naturalnemu zużyciu.
11. Centralny Serwis Gwarancyjny, firmy handlowe, które sprzedały produkt, nie udzielają upoważnień ani gwarancji innych niż określone w karcie gwarancyjnej. W szczególności nie obejmują prawa klienta do domagania się zwrotu utraconych zysków w związku z uszkodzeniem produktu.
12. Gwarancja nie wyłącza, nie ogranicza ani nie zawieszają uprawnień kupującego wynikających z niezgodności towaru z umową.

**Centralny Serwis Gwarancyjny ERPATECH**  
**ul. Bakaliowa 26, 05-080 Mościska**  
**tel.: (22) 862-08-08, (22) 431-05-05**  
**faks: (22) 862-08-09**

## Použitie výrobku

Vaša vŕtačka BLACK+DECKER BDCDD186 je určená na skrútkovanie a vŕtanie do dreva, kovu a plastov. Toto náradie je určené iba na spotrebiteľské použitie.

## Bezpečnostné pokyny

### Všeobecné bezpečnostné pokyny na prácu s elektrickým náradím



**Varovanie! Prečítajte si všetky bezpečnostné pokyny a bezpečnostné výstrahy.** Nedodržanie nižšie uvedených varovaní a pokynov môže viesť k spôsobeniu úrazu elektrickým prúdom, k vzniku požiaru alebo k vážnemu zraneniu.

**Všetky bezpečnostné varovania a pokyny uschovajte na budúce použitie.** Termín „elektrické náradie“ vo všetkých upozorneniach odkazuje na Vaše náradie napájané zo siete (je vybavené prívodným káblom) alebo náradie napájané akumulátorom (bez prívodného kábla).

1. **Bezpečnosť v pracovnom priestore**
  - a. **Udržujte pracovný priestor čistý a dobre osvetlený.** Preplnený a neosvetlený pracovný priestor môže viesť k spôsobeniu úrazov.
  - b. **Nepracujte s elektrickým náradím vo výbušnom prostredí, ako sú napríklad priestory s výskytom horľavých kvapalín, plynov alebo prašných látok.** V elektrickom náradí dochádza k iskreniu, ktoré môže spôsobiť vznietenie horľavého prachu alebo výparov.
  - c. **Pri práci s elektrickým náradím zaistite bezpečnú vzdialenosť detí a ostatných osôb.** Rozptyľovanie môže spôsobiť stratu kontroly nad náradím.
2. **Elektrická bezpečnosť**
  - a. **Zástrčka prívodného kábla náradia musí zodpovedať zásuvke. Zástrčku nikdy žiadnym spôsobom neupravujte. Nepoužívajte pri uzemnenom elektrickom náradí žiadne upravené zástrčky.** Neupravované zástrčky a zodpovedajúce zásuvky znižujú riziko vzniku úrazu elektrickým prúdom.
  - b. **Nedotýkajte sa uzemnených povrchov, ako sú napríklad potrubia, radiátory, elektrické sporáky a chladničky.** Pri uzemnení Vášho tela vzrastá riziko úrazu elektrickým prúdom.
  - c. **Nevystavujte elektrické náradie dažďu alebo vlhkému prostrediu.** Ak vnikne do elektrického náradia voda, zvýši sa riziko úrazu elektrickým prúdom.
  - d. **S prívodným káblom zaobchádzajte opatrne. Nikdy nepoužívajte prívodný kábel na prenášanie alebo posúvanie náradia a neťahajte zaň, ak chcete náradie odpojiť od elektrickej siete. Zabráňte kontaktu kábla s masťnými, horúcimi a ostrými predmetmi alebo pohyblivými časťami.** Poškodený alebo zapletený prívodný kábel zvyšuje riziko vzniku úrazu elektrickým prúdom.
  - e. **Pri práci s náradím vonku používajte predlžovacie káble určené na vonkajšie použitie.** Použitie kábla na vonkajšie použitie znižuje riziko úrazu elektrickým prúdom.
  - f. **Ak musíte s elektrickým náradím pracovať vo vlhkom prostredí, použite napájací zdroj s prúdovým chráničom (RCD).** Použitie prúdového chrániča (RCD) znižuje riziko úrazu elektrickým prúdom.
3. **Bezpečnosť osôb**
  - a. **Pri použití elektrického náradia zostaňte stále pozorní, sledujte, čo robíte a pracujte s rozvahou. Nepoužívajte elektrické náradie, ak ste unavení alebo ak ste pod vplyvom drog, alkoholu alebo liekov.** Chvilka nepozornosti pri práci s elektrickým náradím môže viesť k vážnemu úrazu.
  - b. **Používajte prvky osobnej ochrany. Vždy používajte ochranu zraku.** Ochranné prostriedky ako respirátor, protišmyková pracovná obuv, prilba a chrániče sluchu, používané v príslušných podmienkach, znižujú riziko poranenia osôb.
  - c. **Zabráňte náhodnému zapnutiu náradia. Pred pripojením zdroja napätia alebo pred vložením akumulátora a pred zdvihnutím alebo prenášaním náradia skontrolujte, či je vypínač v polohe vypnuté.** Prenášanie elektrického náradia s prstom na vypínači alebo pripojenie náradia k napájaciemu zdroju, ak je vypínač náradia v polohe zapnuté, môže spôsobiť úraz.
  - d. **Pred spustením z náradia vždy odstráňte všetky kľúče alebo nastavovacie prípravky.** Nastavovacie kľúče ponechané na náradí môžu byť zachytené rotujúcimi časťami náradia a môžu spôsobiť úraz.
  - e. **Neprekážajte sami sebe. Pri práci vždy udržiavajte vhodný postoj a rovnováhu.** Tak

je umožnená lepšia ovládateľnosť náradia v neočakávaných situáciách.

- f. Vhodne sa obliekajte. Nenoste voľný odev alebo šperky. Dbajte na to, aby sa Vaše vlasy, odev a rukavice nedostali do kontaktu s pohyblivými časťami.** Voľný odev, šperky alebo dlhé vlasy môžu byť pohyblivými dielmi zachytené.
- g. Ak sú zariadenia vybavené adaptérom na pripojenie príslušenstva na zachytávanie prachu, zaistíte jeho správne pripojenie a riadnu funkciu.** Použitie týchto zariadení môže znížiť nebezpečenstvo týkajúce sa prachu.
- 4. Použitie elektrického náradia a jeho údržba**
- a. Nepreťažujte elektrické náradie. Používajte na vykonávanú prácu správny typ náradia.** Pri použití správneho typu náradia bude práca vykonávaná lepšie a bezpečnejšie.
- b. Ak nie je možné vypínač náradia zapnúť a vypnúť, s náradím nepracujte.** Každé elektrické náradie s nefunkčným vypínačom je nebezpečné a musí sa opraviť.
- c. Pred nastavovaním náradia, pred výmenou príslušenstva alebo ak náradie nepoužívate, odpojte zástrčku prírodného kábla od zásuvky alebo z náradia vyberte akumulátor.** Tieto preventívne bezpečnostné opatrenia znižujú riziko náhodného zapnutia náradia.
- d. Uložte elektrické náradie mimo dosahu detí a nedovoľte ostatným osobám, ktoré toto náradie nevedia ovládať, alebo ktoré nepoznajú tieto bezpečnostné pokyny, aby s týmito elektrickým náradím pracovali.** Elektrické náradie je v rukách nekvalifikovanej obsluhy nebezpečné.
- e. Vykonávajte údržbu elektrického náradia. Skontrolujte vychýlenie alebo zablokovanie pohyblivých častí, poškodenie jednotlivých dielcov a iné okolnosti, ktoré môžu ovplyvniť chod náradia. Ak je náradie poškodené, nechajte ho opraviť.** Mnoho nehôd býva spôsobených zanedbanou údržbou náradia.
- f. Rezné nástroje udržiavajte ostré a čisté.** Riadne udržiavané rezné nástroje s ostrými reznými ostriami sú menej náchylné na zanášanie nečistotami a lepšie sa s nimi pracuje.
- g. Používajte toto elektrické náradie, príslušenstvo a pracovné nástroje**

**podľa týchto pokynov a berte do úvahy prevádzkové podmienky a prácu, ktorá sa bude vykonávať.** Použitie elektrického náradia na iné účely, než na aké je určené, môže byť nebezpečné.

- 5. Použitie akumulátorového náradia a jeho údržba**
- a. Nabíjajte iba v nabíjačke určenej výrobcom.** Nabíjačka vhodná pre jeden typ akumulátora môže pri vložení iného nevhodného typu spôsobiť požiar.
- b. Používajte elektrické náradie výhradne s akumulátormi, ktoré sú určené pre daný typ náradia.** Použitie iných typov akumulátorov môže spôsobiť vznik požiaru alebo zranenie.
- c. Ak sa akumulátor nepoužíva, uložte ho mimo dosahu kovových predmetov, ako sú kancelárske sponky na papier, mince, kľúče, klnce, skrutky alebo ďalšie drobné kovové predmety, ktoré môžu spôsobiť skratovanie kontaktov akumulátora.** Skratovanie kontaktov akumulátora môže viesť k vzniku popálenín alebo požiaru.
- d. V nevhodných podmienkach môže z akumulátora unikáť kvapalina. Vyvarujte sa kontaktu s touto kvapalinou. Ak dôjde k náhodnému kontaktu s touto kvapalinou, zasiahnuté miesto omyte vodou. Pri zasiahnutí očí zasiahnuté miesto umyte a vyhľadajte lekársku pomoc.** Unikajúca kvapalina z akumulátora môže spôsobiť podráždenie pokožky alebo popáleniny.
- 6. Servis**
- a. Opravy elektrického náradia zverte iba kvalifikovanému technikovi, ktorý bude používať originálne náhradné diely.** Tým zaistíte bezpečnú prevádzku náradia.

### Doplňkové bezpečnostné pokyny na prácu s elektrickým náradím



**Varovanie!** Ďalšie bezpečnostné pokyny pre vŕtačky

- ♦ **Používajte prídavné rukoväti dodávané s náradím.** Strata kontroly nad náradím môže viesť k úrazu.
- ♦ **Pri pracovných operáciách, pri ktorých by mohlo dôjsť ku kontaktu pracovného nástroja so skrytými elektrickými vodičmi, držte elektrické náradie vždy za**

**izolované rukováti.** Pri kontakte pracovného príslušenstva so „živým“ vodičom spôsobia neizolované kovové časti náradia obsluhu úraz elektrickým prúdom.

- ◆ **Pri pracovných operáciách, pri ktorých by mohlo dôjsť ku kontaktu montážneho prvku so skrytými elektrickými vodičmi, držte elektrické náradie vždy za izolované rukováti.** Montážne prvky, ktoré sa dostanú do kontaktu so „živým“ vodičom, spôsobia, že neizolované kovové časti elektrického náradia budú tiež „živé“, čo môže obsluhu spôsobiť úraz elektrickým prúdom.
- ◆ **Na zaistenie a upnutie obrobku k pracovnému stolu používajte svorky alebo iné vhodné prostriedky.** Držanie obrobku rukou alebo opretie obrobku o časť tela nezaistí jeho stabilitu a môže viesť k strate kontroly.
- ◆ Pred vŕtaním do stien, podláh alebo stropov zistite polohu elektrických vedení a potrubia.
- ◆ Ihneď po ukončení vŕtania sa nedotýkajte vrtáka, pretože môže byť horúci.
- ◆ V tomto návode je opísané určené použitie tohto náradia. Použitie iného príslušenstva alebo prídavného zariadenia a vykonávanie iných pracovných operácií než je odporúčané týmto návodom, môže predstavovať riziko zranenia obsluhu alebo riziko spôsobenia hmotných škôd.

### Bezpečnosť ostatných osôb

- ◆ Toto náradie nie je určené na použitie osobami (vrátane detí) so zníženými fyzickými, zmyslovými alebo duševnými schopnosťami, alebo s nedostatkom skúseností a znalostí, ak týmto osobám nebol stanovený dohľad, alebo ak im neboli poskytnuté inštrukcie týkajúce sa použitia výrobku osobou zodpovednou za ich bezpečnosť.
- ◆ Deti musia byť pod dozorom, aby bolo zaistené, že sa s týmto náradím nebudú hrať.

### Zvyškové riziká

Ak sa toto zariadenie používa iným spôsobom, než je uvedené v priložených bezpečnostných varovaniach, môžu sa objaviť dodatočné zvyškové riziká. Tieto riziká môžu vzniknúť v dôsledku nesprávneho použitia, dlhodobého použitia atď.

Napriek tomu, že sa dodržiavajú príslušné bezpečnostné predpisy a používajú sa bezpečnostné zariadenia, určité zvyškové riziká sa nemôžu vylúčiť. Tieto riziká sú nasledujúce:

- ◆ Zranenia spôsobené kontaktom s akoukoľvek rotujúcou alebo pohybujúcou sa časťou.
- ◆ Zranenia spôsobené pri výmene dielcov, pracovného nástroja alebo príslušenstva.
- ◆ Zranenia spôsobené dlhodobým použitím náradia. Ak používate akékoľvek náradie dlhší čas, zaistite, aby sa robili pravidelné prestávky.
- ◆ Poškodenie sluchu.
- ◆ Zdravotné riziká spôsobené vdychovaním prachu vytváraného pri použití náradia (príklad: - práca s drevom, najmä s dubovým, bukovým a MDF).

### Vibrácie

Deklarovaná úroveň vibrácií uvedená v technických údajoch a vo vyhlásení o zhode bola meraná v súlade so štandardnou skúšobnou metódou predpísanou normou EN 60745 a môže sa použiť na porovnanie jednotlivých náradí medzi sebou. Deklarovaná úroveň vibrácií sa môže tiež použiť na predbežné stanovenie času práce s týmto náradím.

**Varovanie!** Úroveň vibrácií pri aktuálnom použití elektrického náradia sa môže od deklarovanej úrovne vibrácií líšiť v závislosti od spôsobu použitia náradia. Úroveň vibrácií môže byť vzhľadom na uvedenú hodnotu vyššia.

Pri stanovení času pôsobenia vibrácií z dôvodu určenia bezpečnostných opatrení podľa požiadaviek normy 2002/44/EC na ochranu osôb pravidelne používajúcich elektrické náradie v zamestnaní, musí predbežný odhad pôsobenia vibrácií brať na zreteľ aktuálne podmienky použitia náradia s prihliadnutím na všetky časti pracovného cyklu, ako sú časy, keď je náradie vypnuté a keď beží naprázdno.

### Štítky na náradí

Na náradí sú spoločne s dátumovým kódom zobrazené nasledujúce piktogramy:




**Varovanie!** Z dôvodu zníženia rizika spôsobenia úrazu si používateľ musí prečítať návod na použitie.

### Ďalšie bezpečnostné pokyny pre akumulátory a nabíjačky (nie sú dodávané s náradím)

#### Akumulátor

- ◆ Akumulátor nikdy zo žiadneho dôvodu nerozoberajte.
- ◆ Zabráňte kontaktu akumulátora s vodou.

- ◆ Neskladujte akumulátory na miestach, kde môže teplota presiahnuť 40 °C.
- ◆ Akumulátory nabíjajte iba pri teplotách v rozsahu od 10 °C do 40 °C.
- ◆ Nabíjajte iba nabíjačkou dodanou s náradím.
- ◆ Pri likvidácii akumulátorov sa riadte pokynmi uvedenými v časti „Ochrana životného prostredia“.

 Nepokúšajte sa nabíjať poškodené akumulátory.

### Nabíjačky

- ◆ Používajte nabíjačku BLACK+DECKER iba na nabíjanie akumulátora, ktorý bol dodaný s týmto náradím. Iné akumulátory môžu prasknúť, spôsobiť zranenie alebo iné škody.
- ◆ Nikdy sa nepokúšajte nabíjať akumulátory, ktoré nie sú na nabíjanie určené.
- ◆ Poškodené káble ihneď vymeňte.
- ◆ Zabráňte kontaktu nabíjačky s vodou.
- ◆ Nesnažte sa nabíjačku rozoberať.
- ◆ Nepokúšajte sa do nabíjačky preniknúť.



Táto nabíjačka nie je určená na vonkajšie použitie.



Pred použitím si pozorne prečítajte tento návod.

### Elektrická bezpečnosť



Táto nabíjačka je vybavená dvojistou izoláciou. Preto nie je nutné použitie uzemňovacieho vodiča. Vždy skontrolujte, či napätie v elektrickej sieti zodpovedá napätiu uvedenému na výkonovom štítku. Nikdy sa nepokúšajte nahradiť nabíjačku priamym pripojením k sieťovej zásuvke.

- ◆ Ak je poškodený prírodný kábel, musí ho vymeniť výrobca alebo autorizovaný servis BLACK+DECKER, aby sa zabránilo možným rizikám.

### Popis

Tento výrobok sa skladá z niektorých alebo zo všetkých nasledujúcich častí.

1. Spínač s plynulou reguláciou otáčok
2. Prepínač praveho/ľavého chodu
3. Objímka na nastavenie krútiaceho momentu
4. Rýchloupevňovacie skľučovadlo
5. Prevodovka s dvoma rozsahmi otáčok
6. LED pracovné svetidlo
7. Akumulátor
8. Uvoľňovacie tlačidlo akumulátora
9. Držiak skrutkovacích nástavcov

### Zostavenie

**Varovanie!** Nechajte náradie pracovať jeho vlastným tempom. Zamedzte preťažovaniu.

#### Nabíjanie akumulátora (obr. A)

Akumulátor musí byť nabitý pred prvým použitím a vždy, keď dôjde k výraznému poklesu jeho výkonu. Akumulátor sa môže počas nabíjania zahrievať. Ide o normálny stav, ktorý neznamená žiadny problém.

**Varovanie!** Nenabíjajte akumulátor, ak okolitá teplota klesne pod 10 °C alebo ak presiahne 40 °C. Odporúčaná teplota prostredia na nabíjanie: približne 24 °C.

**Poznámka: Nabíjačka nebude nabíjať akumulátory, ak klesne teplota článkov akumulátora pod približne 10 °C alebo ak prekročí 40 °C. Akumulátory sa môžu ponechať v nabíjačke a nabíjanie sa automaticky spustí, hneď ako teplota článkov dosiahne povolený rozsah.**

- ◆ Pripojte nabíjačku k akejkoľvek štandardnej elektrickej zásuvke s napájacím napätím 230 V a frekvenciou 50 Hz.
- ◆ Zasuňte akumulátor do nabíjačky, ako je zobrazené na obr. A.
- ◆ Zelený LED indikátor bude blikať, čo bude indikovať prebiehajúce nabíjanie.
- ◆ Ukončenie nabíjania je indikované neprerušovaným svietením zeleného LED indikátora. Akumulátor je úplne nabitý a môže sa vybrať z nabíjačky alebo môže sa ponechať v nabíjačke.

**Varovanie!** Nebezpečenstvo vzniku požiaru. Pri odpájaní nabíjačky od náradia vždy zaistite, aby bola najskôr odpojená nabíjačka od sieťovej zásuvky a potom odpojte kábel nabíjačky od náradia.

#### Vloženie a vybratie akumulátora z náradia (obr. B)

**Varovanie!** Uistite sa, či je náradie zaistené zaistovacím tlačidlom, aby ste pred vloženíím alebo vybratím akumulátora zabránili aktivácii vypínača.

Vloženie akumulátora:

- ◆ Vložte akumulátor do náradia tak, aby ste začuli kliknutie (obr. B).

#### Vybratie akumulátora z náradia (obr. C)

- ◆ Stlačte tlačidlo na uvoľnenie akumulátora zobrazené na obr. C a vysuňte akumulátor z náradia.

## Pokyny na použitie

### Hlavný vypínač a tlačidlo na zmenu smeru chodu

- ◆ Táto vrtačka sa zapína a vypína stlačením a uvoľnením hlavného vypínača (1). Čím viac je vypínač stlačený, tým vyššie sú otáčky pracovného nástroja.
- ◆ Ovládacie tlačidlo pre pravý/ľavý chod (2) určuje smer otáčania pracovného nástroja a slúži tiež ako zaistovacie tlačidlo.
- ◆ Ak chcete zvoliť pravý chod, uvoľnite hlavný vypínač a stlačte ovládacie tlačidlo pre pravý/ľavý chod doľava.
- ◆ Ak chcete zvoliť ľavý chod, zatlačte ovládacie tlačidlo pre pravý/ľavý chod na druhú stranu.

**Poznámka:** Stredová poloha tohto ovládacieho tlačidla zaistí náradie vo vypnutej polohe. Ak meníte polohu tohto prepínača, uistite sa, či je uvoľnený vypínač.

### Nastavenie momentu (obr. D)

Toto náradie je vybavené objímkou (3) na nastavenie pracovného režimu a na nastavenie momentu pri ťahovaní skrutiek. Skrutky s veľkým rozmerom a obrobky z tvrdých materiálov vyžadujú nastavenie vyššej hodnoty momentu než malé skrutky a mäkké materiály.

- ◆ Pri vŕtaní do dreva, kovu a plastov nastavte objímkou na nastavenie momentu na symbol.
- ◆ Ak chcete skrutkovať, nastavte objímkou na požadované nastavenie. Ak nepoznáte ešte vhodné nastavenie, postupujte nasledovne:
- ◆ Nastavte objímkou na najmenšiu hodnotu momentu.
- ◆ Dotiahnite prvú skrutku.
- ◆ Ak začne spojka pred dosiahnutím požadovaného výsledku preskakovať, zväčšite hodnotu momentu nastavením objímkou do ďalšej polohy a pokračujte v ťahovaní skrutky. Opakujte tento postup, kým nedosiahnete požadované nastavenie. Použite toto nastavenie aj na dotiahnutie zostávajúcich skrutiek.

### Rýchlopínacie skľučovadlo (obr. E)

**Varovanie!** Uistite sa, či je náradie zaistené zaistovacím tlačidlom, aby ste pred vložením alebo vybratím pracovného nástroja zabránili aktivácii vypínača.

Vloženie vrtáka alebo iného pracovného nástroja:

- ◆ Jednou rukou uchopte zadnú polovicu skľučovadla (4) a druhou rukou otočte prednú

polovicu skľučovadla proti smeru pohybu hodinových ručičiek, pri pohľade od zadnej časti skľučovadla.

- ◆ Zasuňte pracovný nástroj celkom do skľučovadla a uchopením zadnej polovice skľučovadla a otáčaním jeho prednej polovice v smere pohybu hodinových ručičiek skľučovadlo riadne utiahnite.

**Varovanie!** Nepokúšajte sa utiahnuť vrtáky (alebo iné príslušenstvo) uchopením prednej časti skľučovadla a zapnutím náradia. Výmena príslušenstva, ktorá sa robí takýmto spôsobom môže viesť k poškodeniu skľučovadla a k úrazu.

### Dva prevodové stupne (obr. F)

Možnosť voľby dvoch prevodových stupňov Vašej vrtačky Vám umožňuje širšie využitie Vášho náradia. Ak chcete zvoliť nízke otáčky, vysokú hodnotu momentu (poloha 1), vypnite náradie a počkajte na jeho zastavenie. Presuňte volič prevodov (5) smerom od skľučovadla. Ak chcete zvoliť vysoké otáčky, nízku hodnotu momentu (poloha 2), vypnite náradie a počkajte na jeho zastavenie. Presuňte volič prevodov smerom ku skľučovadlu.

**Poznámka:** Nemeňte prevody, ak je náradie v chode. Ak máte s vykonávaním zmeny prevodového stupňa problémy, uistite sa, či je volič prevodov zatlačený celkom dopredu alebo dozadu, až do dorazovej polohy.

### Vŕtanie/skrutkovanie

- ◆ Pomocou prepínača pravého/ľavého chodu (2) zvolte smer otáčania vpred alebo vzad.
- ◆ Ak chcete náradie zapnúť, stlačte vypínač (1). Otáčky náradia závisia od intenzity stlačenia tohto vypínača.
- ◆ Ak chcete náradie vypnúť, vypínač uvoľnite.

### Rady na optimálne použitie

#### Vŕtanie

- ◆ Používajte iba nabrúsené vrtáky.
- ◆ Podoprite a riadne zaistite obrobok, ako je uvedené v bezpečnostných pokynoch.
- ◆ Použite zodpovedajúce a vyžadované bezpečnostné zariadenie, ako je uvedené v bezpečnostných pokynoch.
- ◆ Zabezpečte a upracte pracovný priestor, ako je uvedené v bezpečnostných pokynoch.
- ◆ Začnite vŕtanie veľmi pomaly a používajte iba malý prítlak, kým nebude vyvŕtaná dostatočná diera, ktorá zabráni vykĺznutiu vrtáka.



- ♦ Vytvárajte na náradie tlak v osi pracovného nástroja. Používajte dostatočne veľký tlak, aby ste zaistili dostatočný výkon nástroja, ale netlačte naň príliš, aby nedošlo k zastaveniu motora alebo k vychýleniu nástroja.
- ♦ Vždy držte vŕtačku pevne oboma rukami, aby ste mohli regulovať reakcie tohto náradia.
- ♦ **PRI ZASEKNUTÍ VRTÁKA NEPOUŽÍVAJTE HLAVNÝ VYPÍNAČ NA OPAKOVANÉ ZAPÍNANIE A VYPÍNANIE VŕTAČKY, ABY OPĀŤ DOŠLO K ZAČATIU VRTANIA. MOHLO BY DÔJSŤ K POŠKODENIU VŕTAČKY.**
- ♦ Zmenšením prítlaku a pomalým vŕtaním cez poslednú časť obrobku minimalizujte možnosť zaseknutia vŕtáka a prelomenia obrobku.
- ♦ Pri vyťahovaní vŕtáka z vyvŕtaného otvoru nechajte motor v chode. Tým zabránite zablokovaniu vŕtáka.
- ♦ Uistite sa, či hlavný vypínač zapína a vypína vŕtačku.

### Vŕtanie do dreva

Otvory do dreva je možné vŕtať rovnakými špirálovými vŕtákmi, aké sa používajú pri vŕtaní do kovu, alebo plochými vŕtákmi. Tieto vŕtáky musia byť ostré a počas vŕtania sa musia často vyťahovať z vŕtaného otvoru, aby sa mohli odstrániť nečistoty zo špirálových drážok vŕtáka.

### Vŕtanie do kovu

Pri vŕtaní do kovu používajte mazivo. Výnimkou je liatina a mosadz, ktoré sa môžu vŕtať za sucha. Mazivá pre vŕtanie, ktoré dosahujú najlepšie výsledky, obsahujú sulfurový olej alebo ide o sadlo.

### Skrutkovanie

- ♦ Vždy používajte správny typ a veľkosť skrutkovacieho nástavca.
- ♦ Ak sa skrutky nedajú správne pritiahnúť, použite ako mazivo malé množstvo saponátu alebo mydlového roztoku.
- ♦ Vždy držte náradie so skrutkovacím násadcom v jednej osi so skrutkou.

## Odstraňovanie porúch

Problém	Možná príčina	Možné riešenie
Náradie nie je možné spustiť.	Akumulátor nie je nabitý.	Skontrolujte, či nie je nutné nabitie akumulátora.
Akumulátor sa nenabíja.	Prívodný kábel nabíjačky nie je pripojený k sieťovej zásuvke.	Pripojte prívodný kábel nabíjačky k sieťovej zásuvke.
	Príliš vysoká alebo príliš nízka teplota okolitého prostredia.	Premiestnite nabíjačku a prívodný do prostredia, v ktorom je teplota vyššia než 4,5 °C alebo nižšia než +40,5 °C.
Náradie sa náhle vypne.	Akumulátor dosiahol svoj maximálny teplotný limit.	Nechajte akumulátor vychladnúť.
	Akumulátor je vybitý. Tento akumulátor je vyrobený tak, aby došlo k jeho okamžitému vypnutiu, ak dôjde k jeho vybitiu, aby bola maximalizovaná jeho prevádzková životnosť.	Vložte ho do nabíjačky a nechajte ho úplne nabiť.

## Údržba

Vaše náradie BLACK+DECKER bolo skonštruované tak, aby pracovalo dlhý čas s minimálnymi nárokmi na údržbu. Riadna starostlivosť o náradie a jeho pravidelné čistenie Vám zaisťujú jeho bezproblémový chod.

Vaša nabíjačka nevyžaduje žiadnu údržbu okrem pravidelného čistenia.

**Varovanie!** Pred akoukoľvek údržbou vyberte z náradia akumulátor. Pred čistením odpojte nabíjačku od siete.

- ♦ Vetracie otvory náradia a nabíjačky pravidelne čistite mäkkou kefkou alebo suchou handričkou.
- ♦ Pomocou vlhkej handričky pravidelne čistite kryt motora. Nepoužívajte žiadne abrazívne čistiace prostriedky alebo rozpúšťadlá.
- ♦ Pravidelne otvárajte skľučovadlo a pokleptom odstráňte prach z jeho vnútornej časti.

## Ochrana životného prostredia



Triedte odpad. Výrobky a akumulátory označené týmto symbolom sa nesmú vyhazovať do bežného domáceho odpadu.

Tieto výrobky a akumulátory obsahujú materiály, ktoré je možné obnoviť alebo recyklovať, čo znižuje dopyt po surovinách. Zaisťte, prosím, recykláciu elektrických výrobkov a akumulátorov podľa miestnych platných predpisov. Ďalšie informácie nájdete na adrese [www.2helpU.com](http://www.2helpU.com).

## Technické údaje

	BDCDD186	
Napájacie napätie	V	18
Otáčky naprázdno	min <sup>-1</sup>	0 - 360 / 0 - 1 400
Maximálny moment	Nm	17,5 / 40
Kapacita skľučovadla	mm	1 - 10
Maximálny priemer vrtáka pri vrtaní		
Oceľ/drevo	mm	10 / 25
Hmotnosť	kg	0,84 (s akumulátorom 1,24)

	905898**	
Vstupné napätie	V (striedavé)	230
Výstupné napätie	V (jednosmerné)	18
Prúd	mA	200
Približný čas nabíjania	hodiny	8 - 20

	905902**	
Vstupné napätie	V (striedavé)	230
Výstupné napätie	V (jednosmerné)	18
Prúd	mA	400
Približný čas nabíjania	hodiny	4 - 10

	905998**	
Vstupné napätie	V (striedavé)	230
Výstupné napätie	V (jednosmerné)	18
Prúd	A	1
Približný čas nabíjania	hodiny	1,5 - 4

	BL1518	
Napájacie napätie	V	18
Kapacita	Ah	1,5
Typ		Li-Ion

	BL2018	
Napájacie napätie	V	18
Kapacita	Ah	2,0
Typ		Li-Ion

	BL4018	
Napájacie napätie	V	18
Kapacita	Ah	4,0
Typ		Li-Ion

### Hladina akustického tlaku podľa normy EN 60745:

Akustický tlak ( $L_{pA}$ ) 65,2 dB(A), odchýlka (K) 3 dB(A),  
Akustický výkon ( $L_{WA}$ ) 76,2 dB(A), odchýlka (K) 3 dB(A)

### Celková úroveň vibrácií (priestorový vektorový súčet) podľa normy EN 60745:

Vrtanie do kovu ( $a_{h,D}$ ) < 1,3 m/s<sup>2</sup>, odchýlka (K) 1,5 m/s<sup>2</sup>,  
Skrutkovanie bez príklepu ( $a_{h}$ ) < 0,6 m/s<sup>2</sup>, odchýlka (K) 1,5 m/s<sup>2</sup>

## ES Vyhlásenie o zhode v rámci EÚ

### SMERNICA PRE STROJOVÉ ZARIADENIA



### BDCDD186 – vrtáčka, skrutkovač

Spoločnosť Black & Decker vyhlasuje, že tieto produkty popisované v technických údajoch spĺňajú požiadavky nasledujúcich noriem: 2006/42/ES, EN 60745-1:2010, EN 60745-2-1:2010, EN 60745-2-2:2010.

Tieto výrobky spĺňajú aj požiadavky smerníc 2004/108/EC (do 19. 4. 2016), 2014/30/EÚ (od 20. 4. 2016) a 2011/65/EÚ. Ak chcete získať ďalšie informácie, kontaktujte, prosím, spoločnosť Black & Decker na tejto adrese alebo na adresách, ktoré sú uvedené na konci tohto návodu.

Nižšie podpísaná osoba je zodpovedná za zostavenie technických údajov a vydáva toto vyhlásenie v zastúpení spoločnosti Black & Decker.

R. Laverick  
Technický riaditeľ  
Black & Decker Europe  
210 Bath Road, Slough  
Berkshire, SL1 3YD  
United Kingdom  
1. 12. 2015

## Záruka

Spoločnosť Black & Decker je presvedčená o kvalite svojich výrobkov a ponúka spotrebiteľom záruku 24 mesiacov od dátumu kúpy. Táto záruka sa ponúka v prospech zákazníka a nijako neovplyvní jeho zákonné záručné práva. Táto záruka je platná vo všetkých členských štátoch EÚ a európskej zóny voľného obchodu EFTA.

Ak požadujete reklamáciu v rámci záruky, táto reklamácia musí spĺňať obchodné podmienky spoločnosti Black & Decker a predajcovi alebo autorizovanému servisu budete musieť predložiť doklad o kúpe.

Obchodné podmienky týkajúce sa záruky spoločnosti Black & Decker v trvaní 2 rokov a adresu najbližšieho autorizovaného servisu nájdete na internetovej adrese **www.2helpU.com** alebo kontaktujte najbližšieho autorizovaného predajcu Black & Decker na adrese uvedenej v tomto návode.

Navštívte, prosím, naše internetové stránky **www.blackanddecker.co.uk**, kde môžete zaregistrovať Váš nový výrobok Black & Decker a kde môžete získať informácie o našich nových výrobkoch a špeciálnych ponukách.

## Назначение

Дрель BLACK+DECKER BDCDD186 предназначена для закручивания/выкручивания винтов, а также для высверливания отверстий в дереве, металле и пластике. Данный инструмент не является профессиональным и предназначен для домашнего использования потребителем.

## Правила техники безопасности

### Общие правила безопасности при работе с электроинструментом



**Осторожно! Ознакомьтесь со всеми предупреждениями и инструкциями по технике безопасности.**

Несоблюдение представленных ниже предупреждений и инструкций может привести к поражению электрическим током, возгоранию и/или тяжелым травмам.

**Сохраните все инструкции для последующего обращения к ним.** Термин "электроинструмент" во всех приведенных ниже предупреждениях относится к питаемому от электросети (проводному) или от аккумуляторов (беспроводному) электроинструменту.

#### 1. Безопасность на рабочем месте

- a. **Содержите рабочее место в чистоте и обеспечьте его хорошую освещенность.** Захламленное или плохо освещенное рабочее место может стать причиной несчастного случая.
- b. **Не используйте электроинструмент во взрывоопасной атмосфере, например, при наличии горючих жидкостей, газов или пыли.** Искры, которые появляются при работе электроинструментов могут привести к воспламенению пыли или паров.
- c. **Не разрешайте детям и посторонним лицам находиться рядом с вами при работе с электроинструментом.** Отвлекаясь от работы вы можете потерять контроль над инструментом.

#### 2. Электробезопасность

- a. **Сетевые вилки должны соответствовать розеткам. Никогда не меняйте вилку инструмента. Не используйте переходники к вилкам для**

**электроинструментов с заземлением.**

Использование оригинальных штепсельных вилок, соответствующих типу сетевой розетки снижает риск поражения электрическим током.

- b. **Следует избегать контакта с заземленными поверхностями - такими, как трубы, радиаторы, батареи и холодильники.** Если вы будете заземлены, увеличивается риск поражения электрическим током.
  - c. **Не допускайте нахождения электроинструментов под дождем или в условиях повышенной влажности.** Попадание воды в электроинструмент может привести к поражению электрическим током.
  - d. **Бережно обращайтесь со шнуром питания. Никогда не используйте кабель для переноски инструмента, не тяните за него, пытайтесь отключить инструмент от сети. Держите кабель подальше от источников тепла, масла, острых углов или движущихся предметов.** Поврежденный или запутанный шнур питания повышает риск поражения электротоком.
  - e. **При работе с электроинструментом вне помещения необходимо пользоваться удлинительным кабелем, рассчитанным на эксплуатацию вне помещения.** Использование кабеля, предназначенного для применения на открытом воздухе, снижает риск поражения электрическим током.
  - f. **При необходимости эксплуатации электроинструмента в местах с повышенной влажностью используйте устройство защиты от токов замыкания на землю (УЗО).** Использование УЗО сокращает риск поражения электрическим током.
- #### 3. Обеспечение индивидуальной безопасности
- a. **При работе с электроинструментом сохраняйте бдительность, следите за своими действиями и пользуйтесь здравым смыслом. Не работайте с электроинструментом если вы устали, находитесь в состоянии наркотического, алкогольного опьянения или под воздействием**

- лекарственных препаратов. Минутная невнимательность при работе с электроинструментом может привести к серьезным травмам.
- b. Используйте средства индивидуальной защиты. Всегда используйте защитные очки.** Средства защиты, такие как противопылевая маска, обувь с не скользящей подошвой, каска и защитные наушники, используемые при работе, уменьшают риск получения травм.
- c. Примите меры для предотвращения случайного включения. Перед тем, как подключить электроинструмент к сети и/или аккумулятору, возьмите инструмент или перенести его на другое место, убедитесь в том, что выключатель находится в положении Выкл.** Если при переноске электроинструмента ваш палец находится на выключателе или если электроинструмент подключен к сети, могут произойти несчастные случаи.
- d. Уберите все регулировочные или гаечные ключи перед включением электроинструмента.** Ключ, оставленный на вращающейся части электроинструмента, может привести к травме.
- e. Не пытайтесь дотянуться до слишком удаленных поверхностей. Обувь должна быть удобной, чтобы вы всегда могли сохранять равновесие.** Это позволит лучше контролировать электроинструмент в непредвиденных ситуациях.
- f. Надевайте подходящую одежду. Избегайте носить свободную одежду и ювелирные украшения. Следите за тем, чтобы волосы, одежда и перчатки не попадали под движущиеся детали.** Возможно наматывание свободной одежды, ювелирных изделий и длинных волос на движущиеся детали.
- g. При наличии устройств для подключения оборудования для удаления и сбора пыли необходимо обеспечить правильность их подключения и эксплуатации.** Использование устройства для пылеудаления сокращает риски, связанные с пылью.
- 4. Эксплуатация электроинструмента и уход за ним**
- a. Избегайте чрезмерной нагрузки электроинструмента. Используйте электроинструмент в соответствии с назначением.** Правильно подобранный электроинструмент выполнит работу более эффективно и безопасно при стандартной нагрузке.
- b. Не используйте электроинструмент, если не работает его выключатель.** Любой инструмент, управляемый выключением и включением которого невозможно, опасен, и его необходимо отремонтировать.
- c. Перед выполнением любой регулировки, заменой дополнительных приспособлений или хранением электроинструмента отключите устройство от сети или извлеките батарею из устройства.** Такие превентивные меры безопасности сокращают риск случайного включения электроинструмента.
- d. Храните электроинструмент в недоступном для детей месте и не позволяйте работать с инструментом людям, не имеющим соответствующих навыков работы с такого рода инструментами.** Электроинструмент представляет опасность в руках неопытных пользователей.
- e. Обслуживание электроинструментов. Проверьте движущиеся детали на несоосность или заклинивание, поломку либо какие-либо другие условия, которые могут повлиять на эксплуатацию электроинструмента. В случае обнаружения повреждений, прежде чем приступить к эксплуатации инструмента, его нужно отремонтировать.** Большинство несчастных случаев происходит с инструментами, которые не обслуживаются должным образом.
- f. Необходимо содержать режущий инструмент в остро заточенном и чистом состоянии.** Вероятность заклинивания инструмента, за которым следят должным образом и который хорошо заточен, значительно меньше, а работать с ним легче.

- г. **Используйте данный электроинструмент, а также дополнительные приспособления и насадки в соответствии с данными инструкциями и с учетом условий и специфики работы.** Использование электроинструмента для работ, для которых он не предназначен, может привести к несчастным случаям.
5. **Использование аккумуляторных электроинструментов и уход за ними**
- а. **Используйте для зарядки аккумуляторной батареи только указанное производителем зарядное устройство.** Использование зарядного устройства определенного типа для зарядки других батарей может привести к возгоранию.
- б. **Используйте для электроинструмента только батареи указанного типа.** Использование других аккумуляторных батарей может стать причиной травмы и пожара.
- в. **Избегайте попадания внутрь батареи скрепок, монет, ключей, гвоздей, болтов или других мелких металлических предметов, которые могут вызывать замыкание ее контактов.** Короткое замыкание контактов аккумулятора может привести к пожару или получению ожогов.
- д. **При повреждении батареи, из нее может вытечь электролит. При случайном контакте с электролитом смойте его водой. При попадании электролита в глаза обратитесь за медицинской помощью.** Жидкость, находящаяся внутри батареи, может вызвать раздражение или ожоги.
6. **Техническое обслуживание**
- а. **Обслуживание электроинструмента должно выполняться только квалифицированным техническим персоналом.** Это позволит обеспечить безопасность обслуживаемого инструмента.

- ◆ **Пользуйтесь дополнительными рукоятками, входящими в комплект поставки инструмента.** Потеря контроля может привести к травме.
- ◆ **Удерживайте инструмент за изолированные поверхности захватывания при выполнении работ, во время которых имеется вероятность контакта инструмента со скрытой электропроводкой.** Если вы держитесь за металлические детали инструмента в случае перерезания находящегося под напряжением провода возможно поражение оператора электрическим током.
- ◆ **Удерживайте инструмент за изолированные поверхности рукояток при выполнении работ, во время которых имеется вероятность контакта инструмента со скрытой электропроводкой.** Если вы держитесь за металлические детали инструмента в случае соприкосновения с находящимся под напряжением провода возможно поражение оператора электрическим током.
- ◆ **Используйте зажимы или другие уместные средства фиксации обрабатываемой детали на стабильной опоре.** Держать деталь на весу или в руках перед собой неудобно и это может привести к потере контроля над инструментом.
- ◆ Перед тем, как сверлить отверстия в стенах, полах или потолках проверьте места прохождения проводки и трубопроводов.
- ◆ Избегайте касания к сверлу сразу после работы, оно может сильно нагреваться.
- ◆ Далее в руководстве приводятся виды работ, для которых предназначен данный инструмент. Применение любых принадлежностей и приспособлений, а также выполнение любых операций помимо тех, которые рекомендованы данным руководством, может привести к травме.

### Общие правила безопасности при работе с электроинструментом



**Внимание!** Дополнительные правила техники безопасности при использовании дрелей

### Безопасность окружающих

- ◆ Данное устройство не предназначено для использования лицами (включая детей) с ограниченными физическими, сенсорными или ментальными

возможностями, а также лицами без достаточного опыта и знаний, если только они не делают этого под руководством лица имеющего соответствующий опыт и отвечающего за их безопасность.

- ◆ Не позволяйте детям играть с данным устройством.

### Остаточные риски

Помимо тех рисков, что указаны в правилах техники безопасности, при использовании инструмента могут возникнуть дополнительные остаточные риски. Это может произойти при неправильной эксплуатации или продолжительном использовании инструмента и т.п.

Несмотря на соблюдение соответствующих инструкций по технике безопасности и использование предохранительных устройств, некоторые остаточные риски невозможно полностью исключить. К ним относятся:

- ◆ Травмы в результате соприкосновения с вращающимися/подвижными компонентами.
- ◆ Травмы в результате замены каких-либо компонентов, лезвий или принадлежностей.
- ◆ Травмы, связанные с длительным использованием инструмента. При использовании любого инструмента в течение продолжительного периода времени не забывайте делать перерывы.
- ◆ Нарушение слуха.
- ◆ Угрозы здоровью в результате вдыхания пыли, которая образуется при использовании инструмента (например, при работе с деревом, особенно дубом, буком и ДВП).

### Вибрация

Заявленные значения вибрации указанные в технических спецификациях и заявлении о соответствии были измерены в соответствии с стандартным методом тестирования EN 60745 и могут быть использованы для сравнения инструментов. Заявленное значение эмиссии вибрации также может использоваться при предварительной оценке воздействия вибрации.

**Внимание!** Значение эмиссии вибрации в каждом конкретном случае применения

электроинструмента может отличаться от заявленного в зависимости от того, каким образом используется инструмент. Уровень вибрации может быть выше заявленного.

При оценке уровня вибрации для определения степени безопасности, предусмотренного 2002/44/ЕС для защиты людей, регулярно пользующихся электроинструментом при работе, нужно принимать во внимание уровень вибрации, реальные условия использования и способ использования инструмента, а также учитывать все этапы цикла работы (когда инструмент выключается, когда он работает на холостом ходу, а также время переключения с одного режима на другой).

### Условные обозначения на инструменте

На инструменте содержатся следующие значки вместе с кодом даты:



**Внимание!** Во избежание риска получения травм, прочитайте инструкцию по применению.

### Дополнительный правила техники безопасности для аккумуляторных батарей и зарядных устройств (не прилагающихся к инструменту)

#### Аккумуляторы

- ◆ Никогда не пытайтесь разобрать аккумуляторы.
- ◆ Не подвергайте аккумуляторы воздействию воды.
- ◆ Не оставляйте инструмент в местах, где температура превышает 40 °С.
- ◆ Заряжайте только при температуре 10 °С - 40 °С.
- ◆ Заряжайте аккумуляторы только с зарядным устройством, которое прилагается к инструменту.
- ◆ При утилизации аккумуляторов следуйте инструкциям, указанным в разделе «Защита окружающей среды».



Не пытайтесь заряжать поврежденные аккумуляторные батареи.

#### Зарядные устройства

- ◆ Используйте свое зарядное устройство BLACK+DECKER только для зарядки аккумулятора инструмента, с которым оно поставлялось. Использование аккумуляторов другого типа

может привести к взрыву, травме и повреждениям.

- ◆ Не пытайтесь заряжать одноразовые батареи.
- ◆ Немедленно заменяйте поврежденный шнур питания.
- ◆ Не подвергайте зарядное устройство воздействию влаги.
- ◆ Не вскрывайте зарядное устройство.
- ◆ Не разбирайте зарядное устройство.



Зарядное устройство можно использовать только в помещении.



Перед началом работы прочтите руководство по эксплуатации.

## Электробезопасность



Ваше зарядное устройство имеет двойную изоляцию, поэтому заземления не требуется. Необходимо обязательно убедиться в том, что напряжение источника питания соответствует указанному на шильдике. Никогда не пытайтесь заменить зарядное устройство на обычную сетевую вилку.

- ◆ Если поврежден сетевой шнур, его нужно заменить у производителя или в официальном сервисном центре BLACK+DECKER, чтобы избежать рисков.

## Характеристики

Этот инструмент имеет следующие характеристики или некоторые из них.

1. Регулятор скорости/выключатель
2. Реверсивный ползунковый переключатель
3. Кольцо установки крутящего момента
4. Быстрозажимной патрон
5. Двухдиапазонная передача
6. Светодиодная система рабочей подсветки
7. Аккумуляторная батарея
8. Кнопка разблокировки аккумуляторного отсека
9. Держатель биты шуруповерта

## Сборка

**Внимание!** Инструмент должен работать в обычном режиме. Избегайте перегрузок.

## Зарядка аккумуляторной батареи (рис. А)

Перед первым использованием аккумулятора нужно зарядить, и делать это всякий раз,

когда чувствуете, что для выполнения работы не хватает мощности инструмента. Во время зарядки аккумулятор нагревается, это нормально и не говорит о неисправности.

**Внимание!** Не заряжайте батарею при температуре окружающей среды ниже 10 °С или выше 40 °С. Рекомендуемая температура при зарядке: около 24 °С.

**Примечание: Зарядное устройство не заряжает аккумулятор если температура аккумуляторного элемента меньше 10 °С или больше 40 °С. Аккумулятор нужно оставить в зарядном устройстве и зарядка начнется автоматически, когда температура аккумуляторного элемента станет нормальной.**

- ◆ Вставьте зарядное устройство в любую стандартную розетку 230 В 50 Гц.
- ◆ Вставьте аккумуляторную батарею в зарядное устройство, как показано на рис. А.
- ◆ Зеленый светодиод начнет мигать, что означает начало зарядки батареи.
- ◆ По окончании зарядки зеленый светодиод начнет гореть непрерывно. Теперь батарея полностью заряжена, и ее можно использовать или оставить в зарядном устройстве.

**Внимание!** Огнеопасно. При отсоединении зарядного устройство от инструмента, сначала выньте вилку зарядного устройства из розетки, затем отсоедините шнур зарядного устройства от инструмента.

## Установка и извлечение аккумуляторной батареи из инструмента (рис. В)

**Внимание!** Убедитесь, нажата ли кнопка блокировки, чтобы исключить вероятность срабатывания выключателя при снятии или установке батареи.

Установка батареи:

- ◆ Вставьте аккумуляторную батарею в инструмент до слышимого щелчка (рис. В)

## Снятие аккумуляторной батареи с инструмента (рис. С)

- ◆ Нажмите кнопку высвобождения батареи, как показано на (рис. С) и вытащите аккумуляторную батарею из инструмента.



## Инструкции по эксплуатации

### Курковый выключатель и кнопка реверсивного вращения

- ◆ Дрель включается и выключается нажатием и отпусканием куркового выключателя (1). Чем сильнее нажат выключатель, тем больше скорость работы дрели.
- ◆ Кнопка изменения направления вращения (2) определяет направление вращения инструмента, а также используется для блокировки инструмента.
- ◆ Для установки вращения по часовой стрелке отпустите курковый выключатель и нажмите кнопку изменения направления влево.
- ◆ Для установки реверсивного направления вращения нажмите кнопку изменения направления вращения в обратном направлении.

**Примечание:** Центральное положение кнопки управления блокирует инструмент в выключенном положении. При изменении положения кнопки управления курковый выключатель должен быть отпущен.

### Контроль крутящего момента (Рис. D)

В данном инструменте имеется муфта установки крутящего момента (3), позволяющая выбирать режим работы и настроить вращающий момент для завинчивания шурупов. Для больших шурупов и жестких рабочих материалов требуется больший крутящий момент, чем для маленьких шурупов и мягких материалов.

- ◆ Для сверления отверстий в дереве, металле и пластике, установите муфту патрона в положение сверления, отмеченное соответствующим символом
- ◆ Для завинчивания шурупов установите муфту в нужное положение настройки. Если вы не уверены в нужном значении, сделайте следующее:
- ◆ Установите муфту на самое малое значение вращающего момента.
- ◆ Затяните первый шуруп.
- ◆ Если муфта затрещит до того, как вы добьетесь нужного результата, увеличьте значения настроек и продолжите затягивать шуруп. Повторяйте до тех пор, пока не найдете нужные значения настроек. Используйте эти настройки для остальных шурупов.

### Быстрозажимной патрон (рис. E)

**Внимание!** Убедитесь, нажата ли кнопка блокировки, чтобы исключить вероятность срабатывания выключателя при снятии или установке дополнительных принадлежностей. Чтобы вставить насадку или другую принадлежность:

- ◆ Удерживая заднюю часть патрона (4) одной рукой, другой рукой поворачивайте в направлении против часовой стрелки переднюю часть патрона, смотря со стороны конца патрона.
- ◆ Полностью вставьте насадку или другую принадлежность в патрон и надежно затяните, удерживая заднюю часть патрона и поворачивая его переднюю часть против часовой стрелки, смотря со стороны конца патрона.

**Внимание!** Не пытайтесь затягивать сверла дрели (или любую другую оснастку), удерживая патрон и включая инструмент. При смене принадлежностей можно повредить патрон и получить травму.

### Двухдиапазонная передача (рис. F)

Двойной диапазон передач данной дрели обеспечивает более широкие возможности переключения передач. Для работы на низкой передаче с высоким крутящим моментом (поз. 1), выключите инструмент и дождитесь его остановки. Сдвиньте переключатель скоростей (5) назад от патрона. Для работы на высокой передаче с низким крутящим моментом (поз. 2), выключите инструмент и дождитесь его остановки. Сдвиньте переключатель скоростей вперед к патрону.

**Примечание:** Не переключайте передачи на работающем инструменте. В случае затрудненного переключения передач, убедитесь в том, что двухдиапазонный переключатель скоростей сдвинут до конца вперед либо сдвинут до конца назад.

### Сверление/завинчивание шурупов

- ◆ Выберите направление вращения с помощью переключателя (2).
- ◆ Чтобы включить инструмент нажмите на спусковой выключатель (1). Скорость инструмента зависит от степени нажатия на этот выключатель.
- ◆ Чтобы выключить инструмент отпустите спусковой выключатель.

## Советы по оптимальному использованию

### Сверление

- ◆ Используйте только хорошо заточенные насадки.
- ◆ Работайте только с надежно установленными и закрепленными заготовками, как указано в правилах техники безопасности.
- ◆ Используйте соответствующие и необходимые средства индивидуальной защиты, как указано в правилах техники безопасности.
- ◆ Содержите рабочее место в чистоте и порядке, как указано в правилах техники безопасности.
- ◆ Вводите дрель очень медленно, с приложением небольшого усилия до тех пор, пока просверленное отверстие не будет достаточно большим, чтобы предотвратить выскальзывание насадки.
- ◆ Прилагайте усилие параллельно насадке. Прилагайте усилия, достаточные для работы насадки, но не прилагайте чрезмерных усилий во избежание остановки двигателя или деформации насадки.
- ◆ Удерживайте дрель обеими руками, чтобы сохранять управление ее движением.
- ◆ НЕ НАЖИМАЙТЕ НА СПУСКОВОЙ ПЕРЕКЛЮЧАТЕЛЬ, ЧТОБЫ ЗАПУСТИТЬ ОСТАНОВИВШУЮСЯ ДРЕЛЬ. ЭТО МОЖЕТ ПОВРЕДИТЬ ДРЕЛЬ.
- ◆ Сводите остановки при прорыве к минимуму путем уменьшения усилия и медленного сверления последнего участка отверстия.
- ◆ Не выключайте двигатель при извлечении оснастки из высверленного отверстия. Это поможет уменьшить риск его зажатия.
- ◆ Убедитесь, что переключатель включает и выключает дрель.

### Сверление древесины

Для высверливания отверстий в древесине можно использовать те же спиральные сверла, что и для металла или перовые сверла. Данные сверла должны быть острыми и часто выниматься при сверлении для очистки кромок канавок от щепок.

### Сверление металла

При сверлении металла используйте смазочно-охлаждающую жидкость. Исключение составляют чугун и латунь - их следует сверлить сухими. Наилучшими вариантами смазочных жидкостей для сверления являются сульфированная смазочно-охлаждающая жидкость или свиной олеин.

### Завинчивание шурупов

- ◆ Всегда используйте насадки для отвертки нужного типа и размера.
- ◆ Если винты закручиваются с трудом, попробуйте нанести небольшое количество жидкого моющего средства или мыла в качестве смазки.
- ◆ Всегда держите инструмент и наконечник отвертки на одной линии с винтом

### Неисправности и способы их устранения

Неисправность	Возможная причина	Возможное решение
Инструмент не включается.	Аккумуляторная батарея разряжена.	Проверьте требования по зарядке аккумуляторной батареи
Аккумуляторная батарея не заряжается.	Зарядное устройство не подключено к сети.	Подключите зарядное устройство к рабочей розетке.
	Температура окружающей среды слишком высокая или слишком низкая.	Переместите зарядное устройство и аккумуляторную батарею в место с температурой выше 40 F (4,5 °C) или ниже 105 F (+40,5 °C)

Неисправность	Возможная причина	Возможное решение
Устройство внезапно выключается.	Аккумуляторная батарея нагрелась по предельной допустимой температуры.	Позвольте аккумуляторной батарее остыть.
	Аккумуляторная батарея разряжена. (Чтобы увеличить срок службы аккумуляторной батареи, ее конструкция предусматривает отключение после разрядки)	Установите в зарядное устройство и позвольте зарядиться.

### Техническое обслуживание

Электроинструмент BLACK+DECKER имеет длительный срок эксплуатации и требует минимальных затрат на техобслуживание. Для длительной безотказной работы необходимо обеспечить правильный уход за инструментом и его регулярную очистку.

Зарядное устройство не требует никакого обслуживания кроме регулярной очистки.

**Внимание!** Перед выполнением любых работ по обслуживанию инструмента снимайте аккумулятор с инструмента. Перед очисткой инструмента отсоедините его от зарядного устройства.

- ◆ Регулярно очищайте вентиляционные отверстия и зарядное устройство с помощью мягкой щетки или сухой тканевой салфетки.
- ◆ Регулярно очищайте корпус двигателя с помощью влажной салфетки. Не используйте никакие абразивные чистящие средства или средства на основе растворителей.
- ◆ Регулярно открывайте патрон и очищайте его от грязи.

### Защита окружающей среды



Отдельная утилизация. Изделия и аккумуляторные батареи с данным символом на маркировке запрещается утилизировать с обычными бытовыми отходами.

Изделия и аккумуляторные батареи содержат материалы, которые могут быть извлечены или переработаны, снижая потребность в исходном сырье. Пожалуйста, утилизируйте электрические изделия и аккумуляторные батареи согласно местным нормам. Дополнительная информация доступна по адресу [www.2helpU.com](http://www.2helpU.com).

### Технические характеристики

		BDCDD186
Напряжение	V <sub>пост. тока</sub>	18
Частота вращения на холостом ходу	мин <sup>-1</sup>	0 - 360 / 0 - 1400
Макс. вращающий момент	Нм	17,5 / 40
Наибольший диаметр сверла	мм	1 - 10
Макс. диаметр сверления в стали/дереве	мм	10/ 25
Вес	кг	0,84 (1,24 со снаряженной батареей)

Зарядное устройство		905898**
Входное напряжение	V <sub>перем. тока</sub>	230
Выходное напряжение	V <sub>пост. тока</sub>	18
Ток	мА	200
Прибл. время зарядки	час.	8 - 20

Зарядное устройство		905902**
Входное напряжение	V <sub>перем. тока</sub>	230
Выходное напряжение	V <sub>пост. тока</sub>	18
Ток	мА	400
Прибл. время зарядки	час.	4 - 10

Зарядное устройство		905998**
Входное напряжение	V <sub>перем. тока</sub>	230
Выходное напряжение	V <sub>пост. тока</sub>	18
Ток	амперы	1
Прибл. время зарядки	час.	1,5 - 4

Аккумуляторная батарея		BL1518
Напряжение	V <sub>перем. тока</sub>	18
Емкость аккумулятора	Ач	1,5
Тип		ионно-литиевая

Аккумуляторная батарея		BL2018
Напряжение	V <sub>перем. тока</sub>	18
Емкость аккумулятора	Ач	2,0
Тип		ионно-литиевая

Аккумуляторная батарея		BL4018
Напряжение	V <sub>перем. тока</sub>	18
Емкость аккумулятора	Ач	4,0
Тип		ионно-литиевая

**Уровень звукового давления согласно EN 60745:**

Звуковое давление ( $L_{pA}$ ) 65,2 дБ(А), погрешность (К) 3 дБ(А),  
Звуковая мощность ( $L_{WA}$ ) 76,2 дБ(А), погрешность(К) 3 дБ(А)

**Общие значения вибрации (сумма триаксиального вектора), определенные в соответствии со стандартом EN 60745:**

Сверление металла ( $a_{h,D}$ ) < 1,3 м/с<sup>2</sup>, погрешность (К) 1,5 м/с<sup>2</sup>,  
закручивание без удара ( $a_{h,C}$ ) < 0,6 м/с<sup>2</sup>, погрешность (К) 1,5 м/с<sup>2</sup>

**Заявление о соответствии нормам ЕС**

ДИРЕКТИВА ПО МЕХАНИЧЕСКОМУ  
ОБОРУДОВАНИЮ



**BDCDD186 - дрель, шуруповерт** Black & Decker заявляет, что продукция, описанная в "технических характеристиках" соответствует: 2006/42/ЕС, EN 60745-1:2010, EN 60745-2-1:2010, EN 60745-2-2:2010.

Эти изделия также соответствуют директиве 2004/108/ЕС (до 19.04.2016), 2014/30/EU (с 20.04.2016) и 2011/65/EU. За дополнительной информацией обращайтесь в компанию Black & Decker по адресу, указанному ниже или приведенному на задней стороне обложки руководства.

Нижеподписавшийся несет ответственность за составление технической документации и составил данную декларацию по поручению компании Black & Decker.

Р. Лаверик (R. Laverick)  
Менеджер по производству  
Black & Decker Europe  
210 Bath Road, Slough  
Berkshire, SL1 3YD  
United Kingdom  
01.12.2015

и условиям Black & Decker; кроме того, Вам потребуется предъявить продавцу или авторизованному специалисту по ремонту потребуется подтверждение покупки.

Положения и условия 2-летней гарантии Black & Decker и местонахождение ближайшего авторизованного специалиста по ремонту можно узнать через Интернет по адресу [www.2helpU.com](http://www.2helpU.com), или связавшись с местным представительством Black & Decker по адресу, указанному в данном руководстве.

Посетите наш веб-сайт [www.blackanddecker.co.uk](http://www.blackanddecker.co.uk), чтобы зарегистрировать свое новое изделие Black & Decker и получать информацию о новинках и специальных предложениях.

**Гарантия**

Black & Decker уверены в качестве своих продуктов и предлагает клиентам гарантию на 24 месяца с момента покупки. Данная гарантия является дополнительной и ни в коей мере не направлена на ущемление Ваших юридических прав. Гарантия действует на территории стран-членов ЕС и Европейской зоне свободной торговли.

Чтобы подать заявку по гарантии, заявка должна соответствовать положениям

## BLACK+DECKER

### Гарантийные условия

#### Уважаемый покупатель!

1. Поздравляем Вас с покупкой высококачественного изделия BLACK+DECKER и выражаем признательность за Ваш выбор.
  2. При покупке изделия требуйте проверки его комплектности и исправности в Вашем присутствии, инструкцию по эксплуатации и заполненный гарантийный талон на русском языке.  
В гарантийном талоне должны быть внесены: модель, дата продажи, серийный номер, дата производства инструмента; название, печать и подпись торговой организации. При отсутствии у Вас правильно заполненного гарантийного талона мы будем вынуждены отклонить Ваши претензии по качеству данного изделия.
  3. Во избежание недоразумений убедительно просим Вас перед началом работы с изделием внимательно ознакомиться с инструкцией по его эксплуатации. Правовой основой настоящих гарантийных условий является действующее Законодательство. Гарантийный срок на данное изделие составляет 24 месяца и исчисляется со дня продажи. В случае устранения недостатков изделия, гарантийный срок продлевается на период его нахождения в ремонте. Срок службы изделия - 5 лет со дня продажи.
  4. В случае возникновения каких-либо проблем в процессе эксплуатации изделия рекомендуем Вам обращаться только в уполномоченные сервисные центры BLACK+DECKER, адреса и телефоны которых Вы сможете найти в гарантийном талоне, на сайте [www.2helpU.com](http://www.2helpU.com) или узнать в магазине. Наши сервисные станции - это не только квалифицированный ремонт, но и широкий ассортимент запчастей и принадлежностей.
  5. Производитель рекомендует проводить периодическую проверку и техническое обслуживание изделия в уполномоченных сервисных центрах.
6. Наши гарантийные обязательства распространяются только на неисправности, выявленные в течение гарантийного срока и вызванные дефектами производства и \ или материалов.
  7. **Гарантийные обязательства не распространяются на неисправности изделия, возникшие в результате:**
    - 7.1. Несоблюдения пользователем предписаний инструкции по эксплуатации изделия, применения изделия не по назначению, неправильном хранении, использовании принадлежностей, расходных материалов и запчастей, не предусмотренных производителем.
    - 7.2. Механического повреждения (сколы, трещины и разрушения) внутренних и внешних деталей изделия, основных и вспомогательных рукояток, сетевого электрического кабеля, вызванного внешним ударным или любым иным воздействием.
    - 7.3. Попадания в вентиляционные отверстия и проникновение внутрь изделия посторонних предметов, материалов или веществ, не являющихся отходами, сопровождающими применение изделия по назначению, такими как: стружка, опилки, песок, и пр.
    - 7.4. Воздействие на изделие неблагоприятных атмосферных и иных внешних факторов, таких как дождь, снег, повышенная влажность, нагрев, агрессивные среды, несоответствие параметров питающей электросети, указанным на инструменте.
    - 7.5. Стихийного бедствия. Повреждение или утрата изделия, связанное с непредвиденными бедствиями, стихийными явлениями, в том числе вследствие действия непреодолимой силы (пожар, молния, потоп и другие природные явления), а так же вследствие перепадов напряжения в электросети и другими причинами, которые находятся вне контроля производителя.
  8. **Гарантийные условия не распространяются:**
    - 8.1. На инструменты, подвергавшиеся вскрытию, ремонту или модификации вне уполномоченной сервисного центра.
    - 8.2. На детали и узлы, имеющие следы естественного износа, такие как: приводные ремни и колеса, угольные щетки, смазка, подшипники, зубчатое зацепление редукторов, резиновые уплотнения, сальники, направляющие ролики, муфты, выключатели, бойки, толкатели, стволы и т.п.
    - 8.3. На сменные части: патроны, цанги, зажимные гайки и фланцы, фильтры, аккумуляторные батареи, ножи, шлифовальные подошвы, цепи, звездочки, пильные шины, защитные кожухи, пилки, абразивы, пильные и абразивные диски, фрезы, сверла, буры и т.п.
    - 8.4. На неисправности, возникшие в результате перегрузки инструмента (как механической, так и электрической), повлекшей выход из строя одновременно двух и более деталей и узлов, таких как: ротора и статора, обеих обмоток статора, ведомой и ведущей шестерни редуктора и других узлов и деталей. К безусловным признакам перегрузки изделия относятся, помимо прочих: появление цветов побежалости, деформация или оплавление деталей и узлов изделия, потемнение или обугливание изоляции проводов электродвигателя под воздействием высокой температуры.

## Область застосування

Ваш дріль BDCDD186 виробництва компанії BLACK+DECKER розроблений для використання в якості викрутки та для свердління дерева, металу та пластику. Цей інструмент призначений лише для побутового використання.

## Інструкції з техніки безпеки

### Загальні правила безпеки для електричного інструменту



**Попередження! Перед використанням інструменту уважно прочитайте всі попередження та інструкції.** Невиконання попереджень та інструкцій, наведених нижче, може призвести до ураження електричним струмом, пожежі та/або серйозних травм.

### Збережіть всі попередження та інструкції для використання в майбутньому.

Термін "електричний інструмент" в усіх попередженнях, перерахованих нижче, стосується використовуваних вами інструментів, що працюють від мережі енергоспоживання (з використанням електричного кабелю) або акумуляторів (без кабелю).

#### 1. Безпека робочої зони

- a. **Тримайте робочу зону чистою та добре освітленою.** Неупорядковані та темні робочі зони збільшують ймовірність нещасного випадку.
- b. **Не використовуйте електричні інструменти у вибухонебезпечній атмосфері, наприклад, у присутності вогнебезпечних рідин, газів та пилу.** Електричні інструменти створюють іскри, що можуть запалити пил або випаровування.
- c. **Тримайте дітей та сторонніх подалі під час використання інструменту.** Відвернення уваги може призвести до втрати контролю.

#### 2. Електрична безпека

- a. **Вилка електричного інструменту має відповідати розетці. Ніколи ніяким чином не змінюйте вилку. Не використовуйте адаптерів із заземленими електричними**

**інструментами.** Немодифіковані вилки та розетки, що підходять до них, зменшують ризик ураження електричним струмом.

- b. **Уникайте контакту тіла з заземленими поверхнями, такими як труби, радіатори, плити та холодильники.** Якщо Ваше тіло заземлене, збільшується ризик ураження електричним струмом.
  - c. **Не залишайте електричні інструменти під дощем або за умов підвищеної вологості.** Вода, що потрапляє в електричний інструмент, підвищує ризик ураження електричним струмом.
  - d. **Не використовуйте кабель живлення не за призначенням. Ніколи не використовуйте шнур для перенесення, витягування та відключення від розетки живлення електричного інструменту. Тримайте шнур подалі від високих температур, мастила, гострих предметів та рухомих деталей.** Пошкоджені або перекручені шнури підвищують ризик враження електричним струмом.
  - e. **При використанні електричного інструменту на вулиці, використовуйте подовжуючий шнур, що підходить для використання на вулиці.** Використання шнура, що підходить для вулиці, знижує ризик ураження електричним струмом.
  - f. **Якщо неможливо уникнути використання електричного інструменту за умов підвищеної вологості, використовуйте джерело живлення, захищене пристроєм залишкового струму (RCD).** Використання RCD знижує ризик ураження електричним струмом.
- #### 3. Особиста безпека
- a. **Будьте в стані готовності, дивіться, що ви робите, та використовуйте загальний глузд, коли ви працюєте з електричним інструментом. Не використовуйте електричний інструмент, коли ви втомлені або знаходитесь під впливом наркотичних речовин, алкоголю або ліків.** Втрата уваги при роботі з електричними інструментами може призвести до серйозних травм.
  - b. **Використовуйте особисті засоби безпеки. Завжди використовуйте засоби захисту очей.** Засоби безпеки, такі як протипилова маска, неслизькі безпечні чоботи, твердий капелюх та засоби захисту

слухового апарату, які використані для відповідних умов, зменшують імовірність особистих травм.

- с. Уникайте випадкового запуску.** Переконайтесь в тому, що вимикач знаходиться в позиції Вимк. перед підключенням до джерела живлення та/або акумулятора, переміщенням або перенесенням пристрою. Перенесення інструменту, тримаючи палець на вимикачі, або підключення живлення з перемикачем в позиції Увімк. може призвести до нещасного випадку.
- d. Зніміть всі налаштувальні ключі або гайкові ключі перед тим, як вмикати електричний інструмент.** Гайковий ключ, що залишився прикріпленим до якоїсь деталі електричного пристрою, що обертається, може призвести до травм.
- e. Не перенапружуйтеся.** Завжди утримуйте правильну постановку ніг і рівновагу. Це дає вам змогу краще контролювати інструмент в неочікуваних ситуаціях.
- f. Вдягайте відповідний одяг. Не вдягайте вільний одяг чи прикраси.** Тримайте ваше волосся, одяг та рукавички подалі від рухомих деталей. Вільний одяг, прикраси або довге волосся може зачепитися за рухомі деталі.
- g. Якщо передбачені пристрої для підключення до засобів виділення та збирання пилу, переконайтеся, що вони правильно підключені та використовуються.** Використання таких пристроїв зменшує ризик виникнення небезпечних ситуацій, що пов'язані з потраплянням пилу.
- 4. Використання та догляд за електричним інструментом**
- a. Не використовуйте надмірні зусилля при роботі з інструментом.** Використовуйте відповідний електричний інструмент для вашої задачі. Правильно обраний інструмент виконає завдання краще та безпечніше за умов, для яких він був розроблений.
- b. Не використовуйте інструмент, вмикач якого не вмикає та не вмикає його.** Будь-який електричний інструмент, який не може управлятися вмикачем, є небезпечним і має бути відремонтований.
- с. Відключіть вилку від джерела живлення та/або зніміть акумуляторний блок з інструменту перед тим, як робити будь-які налаштування, змінювати додаткове обладнання чи зберігати інструмент.** Ці профілактичні заходи зменшують ризик випадкового запуску електричного інструменту.
- d. Зберігайте вимкнені електричні інструменти подалі від дітей та не дозволяйте особам, що не знайомі з електричним інструментом або цими інструкціями, використовувати електричний інструмент.** Електричні інструменти є небезпечними, якщо вони використовуються некваліфікованими користувачами.
- e. Технічне обслуговування електричних інструментів. Перевіряйте на відсутність вирівнювання або заїдання рухомих деталей, ушкоджених частин та інших умов, що можуть впливати на роботу електричного інструменту.** Якщо є ушкодження, відремонтуйте електричний інструмент перед використанням. Багато нещасних випадків є результатом того, що інструмент не пройшов відповідного технічного обслуговування.
- f. Тримайте ріжучі інструменти гострими та чистими.** Правильно доглянуті ріжучі інструменти з гострими ріжучими кромками мають меншу ймовірність заїдання, та ними легше керувати.
- g. Використовуйте електричний інструмент, додаткові інструменти та деталі інструменту тощо у відповідності до цих інструкцій, зважаючи на умови використання та роботу, яка має бути виконана.** Використання електричних інструментів не за призначенням може призвести до виникнення небезпечних ситуацій.
- 5. Використання та догляд за інструментом, що працює від акумулятора**
- a. Заряджайте інструмент лише за допомогою зарядного пристрою, що вказаний виробником.** Зарядний пристрій, що підходить до одного типу акумуляторів, може призвести до пожежі, коли використовується з іншим акумулятором.

- b. Використовуйте електричні інструменти лише зі спеціально розробленим акумулятором.** Використання інших акумуляторів може призвести до травм або пожежі.
- c. Коли акумулятори не використовуються, зберігайте їх подалі від металевих предметів, як скріпки, монети, ключі, цвяхи, гвинти або інші невеликі предмети, що можуть призвести до замикання двох контактів.** Зімкнення терміналів акумулятора може призвести до вибуху або пожежі.
- d. За невідповідних умов використання рідина може витекти з батареї, уникайте контакту з цією рідиною. При випадковому контакті змийте відповідне місце водою. Якщо рідина потрапила в очі, необхідно звернутися до лікаря.** Рідина, що витікає з батареї, може призвести до подразнень та опіків.

## 6. Обслуговування

- a. Надавайте Ваш електричний інструмент для обслуговування кваліфікованим спеціалістом з ремонту та використовуйте тільки ідентичні заміні деталі.** Це забезпечить безпеку електричного пристрою, що обслуговується.

## Додаткові правила безпеки для електричного інструменту



**Попередження!** Додаткові попередження з техніки безпеки для дрилів

- ◆ **Використовуйте додаткові ручки, що надаються з інструментом.** Втрата контролю над інструментом може викликати травми.
- ◆ **Тримайте інструмент за ізольовану поверхню при виконанні операцій, коли ріжучі аксесуари можуть торкнутися схованої проводки.** При контакті ріжучих елементів з дротом під напругою може з'явитися напруга в металевих деталях інструменту, що може призвести до ураження оператора електричним струмом.
- ◆ **Тримайте інструмент за ізольовану поверхню при виконанні операцій, коли кріпильний елемент може торкнутися**

**схованої проводки.** Контакт кріпильних елементів з дротом під напругою може призвести до появи напруги в інструменті та ураження оператора електричним струмом.

- ◆ **Використовуйте затискачі або інший спосіб закріплення деталі, що оброблюється, на стабільній платформі.** Утримування заготовки в руці та біля тіла робить її нестабільною та може призвести до втрати контролю.
- ◆ **Перед свердлінням стін, підлоги та стелі переконайтесь, що у цьому місці не розташована електрична проводка та труби.**
- ◆ **Уникайте контакту з кінцем свердла відразу після свердління, тому що він може бути гарячим.**
- ◆ Використання за призначенням описане у цьому керівництві з використання. Використання аксесуарів або приладдя, або виконання будь-яких дій з інструментом, що суперечать рекомендаціям цього керівництва, може призвести до ризику травмування людини та/або пошкодження майна.

## Безпека сторонніх людей

- ◆ Цей інструмент не призначений для використання особами (включаючи дітей) із зниженими фізичними, сенсорними або розумовими можливостями або особами, яким бракує досвіду або знань за винятком випадків, коли такі особи працюють під наглядом або отримали інструкції щодо використання пристрою від особи, яка несе відповідальність за їх безпеку.
- ◆ Діти повинні знаходитись під контролем, щоб гарантувати, що вони не будуть грати з пристроєм.

## Залишкові ризики

При використанні інструменту можуть виникнути додаткові залишкові ризики, які можуть бути не внесені до попереджень щодо техніки безпеки цього керівництва. Ці ризики можуть виникнути як результат неправильного використання, тривалого використання, тощо.

Незважаючи на виконання всіх відповідних правил техніки безпеки та використання пристроїв безпеки, неможливо уникнути деяких залишкових ризиків. Сюди належать:



- ◆ Травми через контакт з деталями, що рухаються/обертаються.
- ◆ Травми при заміні деталей, пильних полотен або аксесуарів.
- ◆ Травми через занадто тривале використання інструменту. При використанні будь-якого інструменту протягом тривалого періоду часу не забувайте робити регулярні перерви.
- ◆ Порушення слуху.
- ◆ Небезпека для здоров'я через вдихання пилю, що утворюється при використанні інструменту (наприклад, при роботі з деревом, особливо з дубом, березою та ДВП).

### Вібрація

Значення вібрації, вказані в технічних даних та в декларації про відповідність виміряні з дотриманням стандартних методів тестування, наданих в EN 60745, та їх можна використовувати для порівняння одного інструменту з іншим. Задекларовані значення вібрації можна також використовувати для попередньої оцінки впливу вібрації.

**Попередження!** Значення вібрації під час використання інструменту може відрізнятись від задекларованого в залежності від способів використання інструменту. Рівень вібрації може перевищувати вказані значення.

При оцінці впливу вібрації для визначення заходів безпеки за вимогами 2002/44/ЕС, щоб захистити людей, що регулярно використовують інструменти в роботі, необхідно враховувати реальні умови та способи використання інструменту, включаючи врахування всіх періодів робочого циклу, наприклад, часу, коли інструмент вимкнено та коли він знаходиться в режимі очікування, а також часу реальної роботи інструменту.

### Написи на інструменті

Наступні символи нанесені на інструмент разом в кодом дати:



**Попередження!** Щоб зменшити ризик травм, користувач повинен прочитати керівництво з експлуатації.

## Додаткові інструкції з техніки безпеки для акумуляторів та зарядних пристроїв (не надаються з інструментом)

### Батареї

- ◆ Ніколи не намагайтесь відкривати батарею.
- ◆ Не занурюйте батарею у воду.
- ◆ Не зберігайте у місцях, де температура може перевищувати 40 °С.
- ◆ Заряджайте лише за температури навколишнього середовища між 10 °С та 40 °С.
- ◆ Заряджайте лише за допомогою зарядного пристрою, що надається з інструментом.
- ◆ При викиданні батарей виконуйте інструкції, наведені у розділі "Захист навколишнього середовища".



Не заряджайте пошкоджені батареї.

### Зарядні пристрої

- ◆ Використовуйте зарядний пристрій BLACK+DECKER лише для зарядки батарей того інструменту, з яким він продавався. Інші батареї можуть вибухнути, спричинивши травми та пошкодження.
- ◆ Ніколи не намагайтесь заряджати батареї, що не підлягають зарядці.
- ◆ Негайно замінійте пошкоджений шнур живлення.
- ◆ Не піддавайте зарядний пристрій впливу води.
- ◆ Не відкривайте корпус зарядного пристрою.
- ◆ Не розбирайте зарядний пристрій.



Зарядний пристрій призначений лише для використання в приміщенні.



Прочитайте інструкції цього керівництва перед використанням.

### Електрична безпека



Цей зарядний пристрій має подвійну ізоляцію; тому заземлення не є необхідним. Завжди перевіряйте, що джерело живлення відповідає напрузі, що вказана на табличці з паспортними даними. Ніколи не намагайтесь замінити зарядний пристрій звичайним мережним штепселем.

- ◆ Якщо шнур живлення пошкоджений, його необхідно замінити у виробника або в офіційному сервісному центрі компанії BLACK+DECKER для уникнення небезпеки.

## Деталі

Цей інструмент має деякі чи всі деталі з нижче вказаних.

1. Перемикач змінної швидкості
2. Перемикач вперед/назад
3. Налаштувальне кільце крутного моменту
4. Патрон без ключа
5. Привід з двома швидкостями
6. Світлодіодний індикатор роботи
7. Батарея
8. Кнопка звільнення батареї
9. Тримач біт-викруток

## Збирання

**Попередження!** Інструмент повинен працювати із рекомендованою швидкістю. Не перевантажуйте його.

### Встановлення батареї (мал. А)

Необхідно зарядити батарею перед першим використанням, а також коли вона не може забезпечити достатню потужність для виконання завдань, які легко виконувались раніше. Батарея може стати теплою під час зарядки; це нормально та є показником проблеми.

**Попередження!** Не заряджайте батарею при температурі навколишнього середовища нижче 10 °C або вище 40 °C. Рекомендована температура зарядки: приблизно 24 °C.

**Примітка.** Зарядний пристрій не буде заряджати батарею, якщо її температура нижче 10 °C або вище 40 °C. Батарею потрібно залишити у зарядному пристрої, який почне заряджати її автоматично, коли температура батареї підніметься або знизиться.

- ◆ Підключіть зарядний пристрій до стандартної електричної розетки потужністю 230 Воль та частотою 50 Гц.
- ◆ Встановіть батарею у зарядний пристрій, як показано на мал. А.
- ◆ Зелений світлодіод почне миготіти, що є свідченням того, що батарея заряджається.
- ◆ Про завершення зарядки свідчить зелений світлодіод, який горить постійно та не миготить. Це означає, що батарея повністю заряджена, може використовуватися

відразу або залишатися в зарядному пристрої.

**Попередження!** Небезпека виникнення пожежі. При відключенні зарядного пристрою від інструменту спочатку відключіть його від розетки, а потім відключіть кабель живлення від інструменту.

### Установка акумулятору в інструмент та його витягування з інструменту (мал. В)

**Попередження!** Перед встановленням та зніманням батареї переконайтеся, що інструмент заблокований, щоб уникнути його випадкового запуску.

Установка акумулятору:

- ◆ Встановіть акумуляторний блок в інструмент до відповідного звуку (мал. В)

### Витягування акумулятору з інструменту (мал. С)

- ◆ Натисніть кнопку витягування батареї, як показано (мал. С), та витягніть її з інструменту.

## Інструкції з використання

### Тригерний перемикач і реверсивна кнопка

- ◆ Дриль вмикається та вимикається натисненням та відпусканням тригерного перемикача (1). Чим сильніше натиснений тригер, тим вища швидкість роботи дрилю.
- ◆ Реверсивна кнопка (2) визначає напрямок руху інструменту, а також є кнопкою блокування.
- ◆ Щоб обрати обертання вперед, відпустіть тригерний перемикач та натисніть реверсивну кнопку вліво.
- ◆ Щоб обрати обертання назад, натисніть реверсивну кнопку у зворотньому напрямку.

**Примітка.** Реверсивна кнопка у центральному положенні блокує інструмент у вимкненому стані. При зміні положення кнопки переконайтеся, що тригер відпущений.

### Управління крутним моментом (мал. D)

Інструмент оснащено кільцем регулювання крутного моменту (3), що дозволяє обрати робочий режим та встановити крутий момент для затягування гвинтів. Великі гвинти та тверді матеріали вимагають більшого крутного моменту, ніж малі гвинти та м'які матеріали.

- ◆ Для свердління дерева, металу та пластику встановіть налаштувальне кільце на символ свердління
- ◆ Для використання в якості викрутки встановіть кільце у бажане положення. Якщо ви не знаєте точно, в яке положення потрібно його встановити, виконайте наступні дії:
- ◆ Встановіть кільце на найнижче значення крутного моменту.
- ◆ Затягніть перший гвинт.
- ◆ Якщо муфта зупиниться до досягнення бажаного результату, збільшіть значення кільця та продовжуйте затягування гвинта. Повторіть до встановлення бажаного положення кільця. Використовуйте це положення для інших гвинтів.

### Патрон без ключа (мал. Е)

**Попередження!** Перед встановленням та зніманням насадок переконайтесь, що інструмент заблокований, щоб уникнути його випадкового запуску.

Встановлення свердла та інших насадок:

- ◆ Візьміть задню частину патрону (4) однією рукою та другою рукою поверніть передню його частину проти годинникової стрілки, якщо дивитися з точки зору кінця патрону.
- ◆ Вставте свердел або іншу насадку повністю у патрон та міцно затягніть його, тримаючи задню частину патрону та повертаючи його передню частину за годинниковою стрілкою, якщо дивитися з точки зору кінця патрону.

**Попередження!** Не намагайтеся затягувати свердел (або іншу насадку), тримаючи передню частину патрону та вмикаючи інструмент. Заміна насадок може призвести до ушкодження патрону та травм.

### Привід з двома швидкостями (мал. F)

Підтримка двох швидкостей роботи дрилу дозволяє змінювати швидкість для виконання різноманітних завдань. Щоб обрати повільну швидкість, високий крутний момент (положення 1), вимніть інструмент та зачекайте його повної зупинки. Перемістіть кнопку зміни швидкості (5) від затискного патрону. Щоб обрати високу швидкість, низький крутний момент (положення 2), вимніть інструмент та зачекайте його повної зупинки. Перемістіть кнопку зміни швидкості до затискного патрону.

**Примітка.** Не змінюйте швидкість під час роботи пристрою. Якщо у вас виникли проблеми зі зміною швидкості, переконайтесь, що кнопка зміни швидкості переміщена повністю вперед або повністю назад.

### Свердління/використання викрутки

- ◆ Виберіть напрямок руху вперед чи назад, використовуючи реверсивний перемикач (2).
- ◆ Для ввімкнення інструменту натисніть перемикач (1). Швидкість інструменту залежить від того, наскільки сильно ви натиснете на перемикач.
- ◆ Щоб вимкнути інструмент, відпустіть перемикач.

### Примітки для оптимального використання

#### Свердління

- ◆ Використовуйте лише гострі свердла.
- ◆ Добре підтримуйте та фіксуйте деталь, з якою працюєте, як описано у розділі Інструкції з техніки безпеки.
- ◆ Використовуйте відповідні засоби безпеки, як описано у розділі Інструкції з техніки безпеки.
- ◆ Підтримуйте безпеку та охайність робочої зони, як описано у розділі Інструкції з техніки безпеки.
- ◆ Працюйте з дрилем повільно, використовуючи незначний тиск, доки просвердлений отвір буде достатнім, щоб утримувати свердел.
- ◆ Натискайте на інструмент, спрямовуючи силу по прямій лінії зі свердлом. Натискайте так, щоб свердел продовжував робити отвір, але не дуже сильно, щоб не спричинити заїдання мотору та згинання свердла.
- ◆ Міцно тримайте дріль двома руками, контролюючи його викручування.
- ◆ **НЕ НАТИСКАЙТЕ ТРИГЕРНИЙ ПЕРЕМИКАЧ ДРИЛЮ, ЯКИЙ ЗАЇВ, У СПРОБІ ЙОГО ЗАПУСКУ. ЦЕ МОЖЕ ПРИЗВЕСТИ ДО ПОШКОДЖЕННЯ ДРИЛЮ.**
- ◆ Скоротіть вірогідність заїдання на останньому етапі просвердлювання отвору, зменшуючи тиск та повільно завершуючи свердління отвору.
- ◆ Мотор повинен працювати, коли ви витягаєте свердел з просвердленого отвору. Це дозволить уникнути заїдання.

- ◆ Переконайтесь, що перемикач вмикає та вимикає дріль.

## Свердління дерева

Отвори у дереві можна просвердлити такими самими спіральними свердлами, що використовуються для металу, або за допомогою перовими свердлами. Ці свердла мають бути гострими, їх потрібно часто витягати під час свердління, щоб очистити тирсу з пазів.

## Свердління металу

Використовуйте мастильно-охолоджуючу рідину при свердлінні металу. Винятками при цьому є чавун та латунь, які повинні бути сухими під час свердління. Найкраще використовувати сульфовану мастильно-охолоджуючу рідину або ляддове мастило.

## Використання викрутки

- ◆ Завжди використовуйте правильний тип та розмір викрутки-вставки.
- ◆ Якщо гвинти важко затягуються, спробуйте застосувати невелику кількість миючої рідини чи мила в якості мастила.
- ◆ Завжди тримайте інструмент та викрутку-вставку по прямій лінії з гвинтом

## Усунення несправностей

Проблема	Можлива причина	Можливе рішення
Пристрій не запускається.	Акумулятор не заряджається.	Перевірте вимоги до зарядки акумуляторного блоку
Акумулятор не заряджається.	Зарядний пристрій не підключений до мережі живлення.	Підключіть зарядний пристрій до робочої розетки.
	Температура навколишнього середовища занадто висока або занадто низька.	Перемістіть зарядний пристрій та акумулятор у місце з температурою вище 40 градусів F (4,5 °C) або нижче 105 градусів F (+40,5 °C)

Проблема	Можлива причина	Можливе рішення
Пристрій різко вимкнувся.	Акумулятор досягнув максимального термічного ліміту.	Дайте акумулятору охолонути.
	Розряджений акумулятор. (Щоб максимально подовжити термін роботи акумулятору, він розроблений таким чином, що пристрій різко вимикається, коли акумулятор розряджається	Встановіть акумулятор в зарядний пристрій та зарядіть його.

## Технічне обслуговування

Ваш інструмент виробництва компанії BLACK+DECKER призначений для роботи протягом довгого часу з мінімальним обслуговуванням. Довга задовільна робота інструменту залежить від відповідного обслуговування інструменту та регулярного його очищення.

Ваш зарядний пристрій не вимагає технічного обслуговування, лише необхідно проводити регулярне очищення.

**Попередження!** Перед виконанням будь-якого обслуговування необхідно витягнути батарею з інструменту. Витягніть зарядний пристрій з розетки перед очищенням.

- ◆ Регулярно очищуйте вентиляційні отвори інструменту та зарядного пристрою, використовуючи м'яку щітку або суху ганчірку.
- ◆ Регулярно очищуйте корпус мотору, використовуючи вологу ганчірку. Не використовуйте абразивні очищувачі та засоби, що містять розчинники.
- ◆ Регулярно відкривайте затискний патрон та струшуйте його, щоб видалити пил з середини.

## Захист навколишнього середовища



Окреме збирання. Пристрої та батареї, позначені цим символом, можна викидати зі звичайним побутовим сміттям.

Пристрої та батареї містять матеріали, які можна відновити та переробити, що зменшить потребу у сировині. Будь ласка, видавайте електричні інструменти та батареї на переробку відповідно до місцевих постанов. Більш детальну інформацію можна отримати на сайті [www.2helpU.com](http://www.2helpU.com).

## Технічні дані

BDCDD186	
Напруга	$V_{DC}$ 18
Швидкість без навантаження	хв. <sup>-1</sup> 0 - 360 / 0 - 1400
Макс. крутний момент	Нм 17,5 / 40
Найбільший діаметр свердла, що можна вставити в патрон	мм 1 - 10
Макс. глибина свердління	
Метал/дерево	мм 10 / 25
Вага	кг 0,84 (з батареєю 1,24)

Зарядний пристрій 905898**	
Вхідна напруга	$V_{AC}$ 230
Вихідна напруга	$V_{DC}$ 18
Струм	mA 200
Приблиз. час зарядки	год. 8 - 20

Зарядний пристрій 905902**	
Вхідна напруга	$V_{AC}$ 230
Вихідна напруга	$V_{DC}$ 18
Струм	mA 400
Приблиз. час зарядки	год. 4 - 10

Зарядний пристрій 905998**	
Вхідна напруга	$V_{AC}$ 230
Вихідна напруга	$V_{DC}$ 18
Струм	Ампер 1
Приблиз. час зарядки	год. 1,5 - 4

Акумулятор BL1518	
Напруга	$V_{AC}$ 18
Ємність	Ампер-год. 1,5
Тип	Літій-іонний

Акумулятор BL2018	
Напруга	$V_{AC}$ 18
Ємність	Ампер-год. 2,0
Тип	Літій-іонний

Акумулятор BL4018	
Напруга	$V_{AC}$ 18
Ємність	Ампер-год. 4,0
Тип	Літій-іонний

## Рівень звукового тиску згідно з EN 60745:

Звуковий тиск ( $L_{pA}$ ) 65,2 дБ(А), похибка (К) 3 дБ(А),  
Звукова потужність ( $L_{WA}$ ) 76,2 дБ(А), похибка (К) 3 дБ(А)

## Загальні значення вібрації (векторна сума трьох векторів) згідно з EN 60745:

Свердління металу ( $a_{hD}$ ) <1,3 м/с<sup>2</sup>, похибка (К) 1,5 м/с<sup>2</sup>,  
Використання викрутки без удару ( $a_{hV}$ ) <0,6 м/с<sup>2</sup>, похибка (К) 1,5 м/с<sup>2</sup>

## Заява про відповідність ЄС ДИРЕКТИВА ДЛЯ МЕХАНІЧНОГО ОБЛАДНАННЯ



### BDCDD186 - дріль, викрутка

Компанія Black & Decker заявляє, що продукти, описані в розділі "Технічні дані" відповідають: 2006/42/ЕС, EN 60745-1:2010, EN60745-2-1:2010, EN 60745-2-2:2010.

Ці продукти відповідають також Директиві 2004/108/ЕС (до 19/04/2016) 2014/30/ЕУ (з 20/04/2016) і 2011/65/ЕУ. Для отримання додаткової інформації, будь ласка, зверніться до компанії Black & Decker за наступною адресою або прочитайте інформацію на зворотній стороні цього керівництва.

Нижчепідписаний несе відповідальність за упорядкування файлу технічних характеристик та робить цю заяву від компанії Black & Decker.

Р. Лаверік (R. Laverick)  
Технічний директор  
Black & Decker Europe,  
210 Bath Road, Slough,  
Berkshire, SL1 3YD  
Великобританія  
01/12/2015

## Гарантія

Компанія Black & Decker впевнена у якості своєї продукції та пропонує споживачам гарантію тривалістю 24 місяці з дати покупки. Ця гарантія є додатковою та ні в якійсь мірі не ставить під сумнів ваші законні права. Ця гарантія є дійсною на території країн-членів Європейського Союзу та в європейській зоні вільної торгівлі.

Позив за гарантією повинен відповідати умовам компанії Black & Decker, при цьому вам необхідно буде надати доказ покупки

продавцю або спеціалісту офіційного сервісного центру.

Умови 2-річної гарантії компанії Black & Decker та місцезнаходження найближчого до вас сервісного центру можна дізнатися в Інтернеті на сайті **www.2helpU.com**, або ж можна звернутися до місцевого представництва компанії Black & Decker за адресою, вказаною у цьому керівництві.

Будь ласка, відвідайте наш сайт **www.blackanddecker.co.uk**, щоб зареєструвати свій новий продукт Black & Decker та отримувати інформацію про нові продукти та спеціальні пропозиції.

## БЛЕК ЕНД ДЕККЕР

гарантійні умови

Шановний покупцю!

1. Вітаємо Вас з покупкою високоякісного виробу компанії BLACK+DECKER та висловлюємо Вам свою вдячність за Ваш вибір.
- 1.1. Надійна робота цього виробу на протязі всього терміну експлуатації є предметом особливої турботи наших сервісних служб. У випадку виникнення будь-яких проблем в процесі експлуатації виробу ми рекомендуємо Вам звертатися лише до авторизованих сервісних організацій, адреси та телефони яких Ви зможете знайти в Гарантійному талоні або дізнатися в магазині. Наші сервісні центри – це не тільки кваліфікований ремонт, але і широкий вибір запчастин та аксесуарів.
- 1.2. При купівлі виробу вимагайте перевірки його комплекtnості та справності за Вашої присутності, наявності інструкції та заповненого Гарантійного талону на українській мові. За умови відсутності у Вас правильно заповненого Гарантійного талону ми будемо вимушені відхилити Ваші претензії щодо якості цього виробу.
- 1.3. Щоб уникнути всіх непорозумінь наполегливо просимо Вас перед початком роботи з виробом уважно ознайомитись з інструкцією щодо його експлуатації.
- 1.4. Звертаємо Вашу увагу на виключно побутове призначення цього виробу.
2. Правовою основою даних гарантійних умов є діюче Законодавство та, зокрема, Закон "Про захист прав споживачів".
3. Гарантійний термін на даний виріб складає 24 місяці та починається з дня продажу через роздрібну торгову мережу. У випадку усунення недоліків виробу гарантійний термін подовжується на період, протягом якого виріб не використовувався.
4. Термін служби виробу - 5 років (мінімальний, встановлений у відповідності до Закону "Про захист прав споживачів").
5. Наші гарантійні зобов'язання поширюються тільки на несправності, виявлені протягом гарантійного терміну та обумовлені виробничими та конструктивними факторами.
6. Гарантійні зобов'язання не поширюються:
  - 6.1. На несправності виробу, що виникли в результаті:
    - 6.1.1. Недотримання користувачем вказівок інструкції з експлуатації виробу.
    - 6.1.2. Механічних пошкоджень, викликаних зовнішнім ударним або іншим впливом.
    - 6.1.3. Використання виробу в професійних цілях та об'ємах, в комерційних цілях.
    - 6.1.4. Застосування виробу не за призначенням.
    - 6.1.5. Стихійного лиха.

- 6.1.6. Несприятливому атмосферному та інших зовнішніх впливах на виріб, таких як дощ, сніг, підвищена вологість, нагрів, агресивні середовища, невідповідність параметрів електромережі параметрам, вказаним на інструменті.
- 6.1.7. Використання аксесуарів, витратних матеріалів та запчастин, які не рекомендовані або не схвалені виробником.
- 6.1.8. Проникнення всередину інструменту сторонніх предметів, комах, матеріалів або речовин, що не є відходами, які супроводжують використання інструменту за призначенням, наприклад, стружки, опилки та ін.
- 6.2. На інструменти, що були відкриті, піддані ремонту або модифікації поза уповноваженим сервісним центром.
- 6.3. На приналежності, запчастини, що вийшли з ладу внаслідок нормального зносу, та витратні матеріали, такі як, приводні ремені, вугільні щітки, ножі, та ін.
- 6.4. На несправності, які виникли в результаті перевантаження інструменту, що призвело до виходу з ладу електродвигуна або інших вузлів та деталей. До безумовних ознак перевантаження виробу належать, зокрема: поява кольорів мінливості, деформація або оплавлення деталей та вузлів виробу, потемніння або обуглювання ізоляції дротів електродвигуна під впливом високої температури.



Виробник:

"Stanley Black & Decker Deutschland GmbH" Black-&-Decker Str.40, D-65510 Idstein, Німеччина

## Kullanım amacı

BLACK+DECKER BDCDD186 - Matkap, vida takma/sökme uygulamaları ve ahşap, metal ve plastik delme işlemleri için tasarlanmıştır. Bu alet sadece tüketici kullanımına yöneliktir.

## Güvenlik talimatları

### Genel elektrikli alet güvenlik talimatları



**Uyarı! Bütün güvenlik uyarılarını ve talimatlarını mutlaka okuyun.** Aşağıda listelenen uyarı ve talimatlara uyulmaması elektrik şoku, yangın ve/veya ciddi boyutta yaralanmalara neden olabilir.

**Bütün uyarı ve güvenlik talimatlarını ileride bakmak üzere muhafaza edin.** Aşağıda yer alan uyarılardaki “elektrikli alet” terimi şebeke elektriğiyle (kablolu) veya akü/pille (şarjlı) çalışan elektrikli aletinizi ifade etmektedir.

#### 1. Çalışma alanının güvenliği

- Çalışma alanınızı temiz ve aydınlık tutun.** Karışık ve karanlık alanlar kazaya davetiye çıkarır.
- Elektrikli aletleri, yanıcı sıvılar, gazlar ve tozların bulunduğu yerler gibi yanıcı ortamlarda çalıştırmayın.** Elektrikli aletler, toz veya dumanları ateşleyebilecek kıvılcımlar çıkarır.
- Bir elektrikli aleti çalıştırırken çocuklardan ve etraftaki kişilerden uzak tutun.** Dikkatinizi dağıtıcı şeyler kontrolü kaybetmenize neden olabilir.

#### 2. Elektrik güvenliği

- Elektrikli aletlerin fişleri prizlere uygun olmalıdır. Fiş üzerinde kesinlikle hiçbir değişiklik yapmayın. Topraklı elektrikli aletlerde hiçbir adaptör fişi kullanmayın.** Değiştirilmemiş fişler ve uygun prizler elektrik çarpması riskini azaltacaktır.
- Borular, radyatörler, mutfak ocakları ve buz dolapları gibi topraklanmış yüzeylerle vücudunuzun temas etmesini engelleyin.** Vücudunuzun topraklanması halinde yüksek bir elektrik çarpması riski vardır.
- Elektrikli aletleri yağmura maruz bırakmayın veya ıslatmayın.** Elektrikli alete su girmesi elektrik çarpması riskini arttıracaktır.
- Elektrik kablosunu uygun olmayan amaçlarla kullanmayın. Elektrikli aleti kesinlikle kablosundan tutarak taşımayın,**

**çekmeyin veya prizden çıkartmayın.**

**Kabloyu sıcaktan, yağdan, keskin kenarlardan veya hareketli parçalardan uzak tutun.** Hasarlı veya dolaşmış kablolar elektrik çarpması riskini artırır.

- Elektrikli bir aleti açık havada çalıştırıyorsanız, açık havada kullanıma uygun bir uzatma kablosu kullanın.** Açık havada kullanıma uygun bir kablunun kullanılması elektrik çarpması riskini azaltır.
  - Elektrikli aletin nemli ortamda çalıştırılması kaçınılmazsa, bir artık akım cihazı (RCD) korumalı besleme kullanın.** RCD kullanılması elektrik şoku riskini azaltır.
- #### 3. Kişisel güvenlik
- Elektrikli bir aleti kullanırken her zaman dikkatli olun, yaptığınız işe yoğunlaşın ve sağduyulu davranın. Elektrikli bir aleti yorgunken veya ilaç ya da alkolün etkisi altındayken kullanmayın.** Elektrikli aletleri kullanırken bir anlık dikkatsizlik ciddi kişisel yaralanmayla sonuçlanabilir.
  - Kişisel koruyucu ekipman kullanın. Daima koruyucu gözlük takın.** Koşullara uygun toz maskesi, kaymayan güvenlik ayakkabıları, baret veya kulaklık gibi koruyucu donanımların kullanılması kişisel yaralanmaları azaltacaktır.
  - İstem dışı çalıştırılmasını önleyin. Cihazı güç kaynağına ve/veya aküye bağlamadan, yerden kaldırmadan veya taşımadan önce düğmenin kapalı konumda olduğundan emin olun.** Aleti, parmağınız tetik üzerinde bulunacak şekilde taşımak veya açık durumdaki elektrikli aletleri elektrik şebekesine bağlamak kazaya davetiye çıkarır.
  - Elektrikli aleti açmadan önce tüm ayarlama anahtarlarını çıkartın.** Elektrikli aletin hareketli bir parçasına takılı kalmış bir anahtar kişisel yaralanmaya neden olabilir.
  - Ulaşmakta zorlandığınız yerlerde kullanmayın. Daima sağlam ve dengeli basın.** Bu, beklenmedik durumlarda elektrikli aletin daha iyi kontrol edilmesine olanak tanır.
  - Uygun şekilde giyinin. Bol elbiseler giymeyin ve takı takmayın. Saçınızı, elbiselerinizi ve eldivenlerinizi hareketli parçalardan uzak tutun.** Bol elbiseler ve takılar veya uzun saç hareketli parçalara takılabilir.
  - Toz çekme ve toplama araç-gereçlerinin bağlanması için cihazlar verilmesi halinde, bunların uygun biçimde bağlanması ve**



**kullanılmasını sağlayın.** Bu cihazların kullanılması tozla ilgili tehlikeleri azaltabilir.

4. **Elektrikli aletlerin kullanımı ve bakımı**
  - a. **Elektrikli aleti zorlamayın. Uygulanamaz için doğru elektrikli aleti kullanın.** Doğru elektrikli alet, belirlendiği kapasite ayarında kullanıldığında daha iyi ve güvenli çalışacaktır.
  - b. **Tetik açılmasını ve kapanmasını sağlamıyorsa elektrikli aleti kullanmayın.** Düğmeyle kontrol edilemeyen tüm elektrikli aletler tehlikelidir ve tamir edilmesi gerekmektedir.
  - c. **Herhangi bir ayarlama, aksesuar değişimi veya elektrikli aletlerin saklanması öncesinde fişi güç kaynağından çekin ve/veya aküyü aletten ayırın.** Bu tür önleyici güvenlik tedbirleri elektrikli aletin istem dışı çalıştırılma riskini azaltacaktır.
  - d. **Elektrikli aleti, çocukların ulaşamayacağı yerlerde saklayın ve elektrikli aleti kullanmayı veya bu talimatları bilmeyen kişilerin elektrikli aleti kullanmasına izin vermeyin.** Elektrikli aletler, eğitimsiz kullanıcıların elinde tehlikelidir.
  - e. **Elektrikli aletlerin bakımını yapın. Hareketli parçalardaki hizalama hatalarını ve tutuklukları, parçalardaki kırılmalar ve elektrikli aletin çalışmasını etkileyebilecek tüm diğer koşulları kontrol edin. Hasarlı ise, elektrikli aleti kullanmadan önce tamir ettirin.** Kazaların çoğu, elektrikli aletlerin bakımının yeterli şekilde yapılmamasından kaynaklanır.
  - f. **Kesim aletlerini keskin ve temiz tutun.** Bakımı uygun şekilde yapılmış keskin kesim uçlu kesim aletlerinin sıkışma ihtimali daha düşüktür ve kontrol edilmesi daha kolaydır.
  - g. **Elektrikli aleti, aksesuarlarını ve aletin diğer parçalarını kullanırken bu talimatlara mutlaka uyun ve çalışma ortamının koşullarını ve yapılacak işin ne olduğunu göz önünde bulundurun.** Elektrikli aletin öngörülen işlemler dışında kullanılması tehlikeli durumlara neden olabilir.
5. **Akü kullanımı ve bakımı**
  - a. **Yalnızca üretici tarafından belirtilen cihazla şarj edin.** Bir akü için uygun olan şarj cihazı başka bir akü ile kullanıldığında yangın tehlikesi yaratabilir.
  - b. **Elektrikli aletleri yalnızca özel olarak tanımlanmış akü paketleriyle kullanın.**

Herhangi başka bir akünün kullanımı yaralanma ve yangın tehlikesi yaratabilir.

- c. **Akü kullanılmadığında, iki kutbu birbirine temas ettirebilecek ataş, bozuk para, anahtar, çivi, vida ve diğer küçük metal nesnelere uzak tutun.** Akü kutuplarının kısa devre yaptırılması yangın veya yangına neden olabilir.
  - d. **Kötü şartlar altında, akü sıvı sızdırabilir, temastan kaçının. Yanlışlıkla temas halinde, suyla yıkayın. Sıvı gözlere temas ederse, ayrıca doktora da başvurun.** Aküden sızan sıvı tahriş veya yanıklara neden olabilir.
6. **Servis**
    - a. **Elektrikli aletinizi, sadece orijinal yedek parçaların kullanıldığı yetkili servise tamir ettirin.** Bu, elektrikli aletin güvenliğinin muhafaza edilmesini sağlayacaktır.

### Elektrikli aletler için ek güvenlik talimatları



**Uyarı!** Matkaplar için ek güvenlik uyarıları

- ◆ **Aletle birlikte verilmiş olan yardımcı tutma kollarını kullanın.** Kontrol kaybı yaralanmaya neden olabilir.
- ◆ **Kesim aksesuarının saklı kablolarla temas edebileceği türden bir iş yaparken elektrikli aleti yalıtımlı tutma yüzeylerden tutun.** Kesici aletin, "elektrik akımı" bulunan kablolarla teması halinde "akım", elektrikli aletin iletken metal parçaları üzerinden operatöre iletilerek elektrik çarpmasına yol açabilir.
- ◆ **Sabitleyicinin gömülü elektrik kablolarına temas etmesin yol açabileceği durumlarda aleti izole edilmiş saplarından tutun.** Sabitleyicilerin elektrik akımı bulunan kablolarla teması halinde akım elektrikli aletin iletken metal parçaları üzerinden operatöre iletilerek elektrik çarpmasına yol açabilir.
- ◆ **Üzerinde çalıştığınız parçayı sabitlemek ve desteklemek için kelepçeler veya başka pratik yöntemler kullanın.** İş parçasını elle tutmak veya vücudunuza dayamak dengesizliğe ve kontrol kaybına neden olabilir.
- ◆ **Duvar, zemin veya tavanda delik açmadan önce kablo ve boruların konumunu kontrol edin.**
- ◆ **Delme işleminin hemen ardından matkap ucuna dokunmaktan kaçının; sıcak olabilir.**

- ◆ Kullanım amacı bu kullanma kılavuzunda anlatılmıştır. Herhangi bir aksesuarın veya bağlantının ya da işlemin, bu kılavuzda tavsiye edilen şekilden başka bir şekilde kullanılması şahısların yaralanmalarına ve/veya mal kaybına yol açabilir.

## Diğer kişilerin güvenliği

- ◆ Bu alet fiziksel ve zihinsel kapasitesinin yanı sıra algılama gücü azalmış olan veya yeterince deneyim ve bilgisi bulunmayan kişiler (çocuklar dahil) tarafından kullanılmak üzere üretilmemiştir. Bu tür kişiler aleti ancak güvenliklerinden sorumlu bir kişi tarafından cihazın kullanımıyla ilgili talimatların verilmesi veya sürekli kontrol altında tutulması durumunda kullanabilir.
- ◆ Cihazla oynamadıklarından emin olmak için çocuklar gözetim altında tutulmalıdır.

## Kalıcı riskler

Alet kullanılırken, ekteki güvenlik uyarılarında bulunmayan ek kalıcı riskler oluşabilir. Bu riskler, yanlış kullanım, uzun süreli kullanım vb. sonucu oluşabilir.

İlgili güvenlik talimatlarına uyulması ve güvenlik aletlerinin kullanılması halinde bile bazı kalıcı riskler engellenemeyebilir. Bunlar aşağıdakileri içermektedir:

- ◆ Dönen/hareket eden parçalara dokunarak yaralanmalar.
- ◆ Parça, bıçak veya aksesuar değiştirirken oluşan yaralanmalar.
- ◆ Aletin uzun süreli kullanılmasıyla oluşan yaralanmalar. Herhangi bir alet uzun süre kullanıldığında düzenli aralar vermeye özen gösterin.
- ◆ İşitme kaybı.
- ◆ Alet kullanılırken oluşan tozun solunmasıyla ortaya çıkan sağlık sorunları (örneğin: ahşap, özellikle meşe, ağartıcı ve MDF ile çalışırken.)

## Titreşim

Teknik veriler ve uygunluk beyanatı içerisinde belirtilen titreşim emisyon değerleri EN 60745 tarafından belirlenen standart bir test yöntemine uygun olarak ölçülmektedir ve diğer bir aletle karşılaştırma yaparken kullanılabilir. Beyan edilen titreşim emisyon değeri aynı zamanda maruz kalmanın önceden değerlendirilmesinde de kullanılabilir.

**Uyarı!** Elektrikli aletin mevcut kullanımı sırasındaki titreşim emisyon değeri, aletin

kullanım yöntemine bağlı olarak, beyan edilen değere göre farklılık sergileyebilir. Titreşim düzeyi belirlenen seviyenin üzerinde artış gösterebilir.

İş yerinde düzenli olarak elektrikli alet kullanan çalışanları korumak amacıyla 2002/44/EC tarafından getirilen elektrik güvenliği önlemlerini belirlemek üzere titreşime maruz kalmayı değerlendirirken, çalışma döngüsü içerisinde örneğin aletin kapalı olduğu ve aktif durumda olmasının yanı sıra boşta çalıştığı zamanlar gibi, bütün zaman dilimleri dahil olmak üzere mevcut kullanım durumu ve aletin kullanım şekli göz önünde bulundurularak değerlendirilmelidir.

## Alet üzerindeki etiketler

Alet üzerinde tarih koduyla birlikte aşağıdaki semboller gösterilir:



**Uyarı!** Yaralanma riskini en aza indirmek için kullanıcı kullanım talimatlarını mutlaka okumalıdır.

## Aküler ve şarj cihazları (Aletle birlikte verilmez) için ek güvenlik talimatları

### Aküler

- ◆ Kesinlikle, hiçbir nedenle açmaya çalışmayın.
- ◆ Aküleri suya maruz bırakmayın.
- ◆ Sıcaklığın 40 °C'yi aşabileceği yerlerde saklamayın.
- ◆ Sadece 10 °C ile 40 °C arasındaki ortam sıcaklıklarında şarj edin.
- ◆ Sadece aletle birlikte verilen şarj cihazını kullanarak şarj edin.
- ◆ Aküleri atarken "Çevrenin korunması" başlıklı bölümdeki talimatlara uyun.



Hasarlı aküleri şarj etmeye çalışmayın.

### Şarj cihazları

- ◆ BLACK+DECKER şarj cihazınızı, yalnızca aletle birlikte verilen aküyü şarj etmek için kullanın. Diğer aküler patlayarak yaralanmanıza veya hasar meydana gelmesine yol açabilir.
- ◆ Şarj edilme özelliği olmayan aküleri kesinlikle şarj etmeye çalışmayın.
- ◆ Kusurlu kabloları hemen değiştirin.
- ◆ Şarj cihazını suya maruz bırakmayın.
- ◆ Şarj cihazını açmayın.
- ◆ Şarj cihazını delmeyin.



Şarj cihazı sadece dahili kullanım içindir.



Kullanmadan önce kullanım kılavuzunu okuyun.

## Elektrik güvenliği



Şarj cihazınız çift yalıtımlıdır bu yüzden hiçbir topraklama kablosuna gerek yoktur. Her zaman şebeke geriliminin aletin üretim etiketinde belirlenmiş değerlere uyup uymadığını kontrol edin. Şarj cihazı ünitesini kesinlikle normal bir elektrik fişi ile değiştirmeye kalkışmayın.

- ◆ Elektrik kablosu hasarlı ise, bir tehlike oluşmasını önlemek için üretici ya da yetkili BLACK+DECKER Servis Merkezi tarafından değiştirilmelidir.

## Özellikler

Bu alet, aşağıdaki özelliklerin bir kısmını veya tümünü içermektedir.

1. Değişken hız anahtarı
2. İleri/geri sürgüsü
3. Tork ayar raketu
4. Anahtarsız mandren
5. İkili vites sistemi
6. LED çalışma lambası
7. Akü
8. Akü serbest bırakma düğmesi
9. Tornavida ucu tutucu

## Montaj

**Uyarı!** Aletin kendi hızında çalışmasına izin verin. Aşırı yüklenmeyin.

## Aküyü şarj etme (şkl. A)

Akünün, ilk kullanımdan önce ve daha önce kolayca yapılan işler için yeterli güç üretmediği hallerde şarj edilmesi gereklidir. Akü şarj sırasında ısınabilir; bu normaldir ve bir sorun olduğu anlamına gelmez.

**Uyarı!** Aküyü, 10 °C'nin altında veya 40 °C'nin üzerindeki sıcaklıklarda şarj etmeyin. Tavsiye edilen şarj sıcaklığı: yaklaşık 24 °C.

**Not: Şarj cihazı hücre sıcaklığı yaklaşık olarak 10 °C'nin altında veya 40 °C'nin üzerindeyse pili şarj etmez. Pili şarj cihazının içinde bırakılmıdır ve hücre sıcaklığı ısındığında ya da soğuduğunda şarj cihazı otomatik olarak şarj etmeye başlayacaktır.**

- ◆ Şarj cihazını 230 Volt 50 Hz standart bir elektrik prizine bağlayın.
- ◆ Akü takımını şekil A'da gösterilen şekilde şarj cihazının içine kaydırın.

- ◆ Akünün şarj edildiğini gösteren yeşil LED yanıp sönecektir.
- ◆ Yeşil LED'in sürekli yanması şarjın tamamlandığını gösterir. Akü takımı tamamen şarj olmuştur, şimdi kullanılabilir ya da şarj cihazı üzerinde bırakılabilir.

**Uyarı!** Yangın tehlikesi. Şarj cihazını aletten çıkarırken, ilk önce şarj cihazını prizden çıkardığınızdan, daha sonra şarj cihazı kablosunu aletten çıkardığınızdan emin olun.

## Akü takımını alete takma ve aletten çıkarma (şkl. B)

**Uyarı!** Anahtarın etkinleşmesini önlemek için, aküyü çıkarmadan ya da takmadan kilitleme düğmesinin devrede olduğundan emin olun. Akü takımını takmak için:

- ◆ Bir klik sesi duyulana kadar akü takımını aletin içine yerleştirin (şkl. B)

## Aküyü aletten çıkarma (şkl. C)

- ◆ Akü serbest bırakma düğmesine (şkl. C)'de gösterilen şekilde basın ve akü takımını aletten çıkarın.

## Kullanım Talimatları

### Tetik düğmesi ve geri alma düğmesi

- ◆ Matkap tetik düğmesi (1) çekilerek ve serbest bırakılarak açılır ve kapanır. Tetiğe ne kadar fazla basılırsa, matkabin çalışma hızı o kadar artar.
- ◆ Bir ileri/geri kontrol düğmesi (2) aletin yönünü belirler ve aynı zamanda kilitleme düğmesi olarak görev yapar.
- ◆ İleri dönüşü seçmek için, tetik düğmesini bırakın ve ileri/geri kontrol düğmesini sola bastırın.
- ◆ Geriyi seçmek için, ileri/ geri kontrol düğmesine ters yönde basın.

**Not:** Kontrol düğmesinin ortadaki konumu aleti kapalı konumda kilitlet. Kontrol düğmesinin konumunu değiştirirken, tetiğin serbest olduğundan emin olun.

### Tork kontrolü (şkl. D)

Bu alet, çalışma modunun seçilmesi ve vida sıkma torkunun ayarlanması için bir bilezikle(3) donatılmıştır. Büyük vidalar ve üzerinde çalışılan sert malzemeler küçük vidalara ve yumuşak malzemelere göre daha yüksek bir tork ayarı gerektirir.

- ◆ Ahşap, metal ve plastik malzemelerde delme için, bileziği delme konumu sembolüne getirin

- ◆ Vida takma ve sökme işlemleri için bileziği istediğiniz konuma getirin. Henüz uygun ayarı bilmiyorsanız, aşağıda belirtildiği şekilde ilerleyin:
- ◆ Bileziği en düşük tork ayarına getirin.
- ◆ İlk vidayı sıkın.
- ◆ İstenen sonuç elde edilmeden önce kavrama mandallarına ulaşırsa, bilezik ayarını arttırın ve sıkmaya devam edin. Doğru ayara ulaşına kadar tekrarlayın. Kalan vidalar için de bu ayarı kullanın.

## Anahtarsız mandren (şkl. E)

**Uyarı!** Anahtarın etkinleşmesini önlemek için, aksesuarları takmadan ya da çıkarmadan önce kilitleme düğmesinin devrede olduğundan emin olun. Bir matkap ucu veya başka bir aksesuar takmak için:

- ◆ Bir elinizle mandrenin arka yarısını (4) kavrayın ve diğer elinizi ön yarıyı mandren ucundan görünen şekilde saat yönünün tersine döndürmek için kullanın.
- ◆ Matkap ucunu veya diğer aksesuarı mandrene yerleştirin ve mandrenin arka yarısını sabit bir şekilde tutarak ve mandren ucundan görünen şekilde ön kısmı saat yönünün tersine döndürerek sıkın.

**Uyarı!** Mandrenin ön kısmını tutup aleti çevirerek matkap ucu (veya başka herhangi bir aksesuar) takmayı denemeyin. Aksesuarları değiştiren mandren hasarına veya yaralanmaya neden olabilir.

## İkili vites sistemi (Şekil F)

Matkabın ikili vites özelliği daha fazla kullanışlılık için vites değiştirebilmenizi sağlar. Düşük hızlı, yüksek torklu ayarı (konum 1) seçmek için aleti kapatın ve durmasını bekleyin. Vites değiştirme düğmesini (5) mandrenden uzağa kaydırın. Yüksek hızlı, düşük torklu ayarı (konum 2) seçmek için aleti kapatın ve durmasını bekleyin. Vites değiştirme düğmesini mandrene doğru kaydırın. **Not:** Alet çalışırken vites değiştirmeyin. Vites değiştirmekte zorluk yaşıyorsanız, iki hızlı vites değiştiricinin tamamen ileride veya geride olduğundan emin olun.

## Delme/vidalama

- ◆ İleri/geri sürgüyü (2) kullanarak ileri veya geri döndürmeyi seçin.
- ◆ Aleti açmak için, tetiğe (1) basın. Aletin hızı, düğmeye ne kadar bastığınıza bağlıdır.
- ◆ Aleti kapamak için, tetiği bırakın.

## Yararlı tavsiyeler

### Delme

- ◆ Yalnızca keskin matkap uçları kullanın.
- ◆ İş parçasını Güvenlik Talimatlarında belirtildiği üzere uygun şekilde destekleyerek sabitleyin.
- ◆ Güvenlik Talimatlarında belirtildiği üzere uygun ve gerekli güvenlik ekipmanlarını kullanın.
- ◆ Güvenlik Talimatlarında belirtildiği üzere çalışma alanını güvenceye alın ve koruyun.
- ◆ Matkap ucu delikten dışarı doğru kaymaya başlayacak seviyeye gelene kadar, matkabı çok yavaş ve düşük basınç uygulayarak çalıştırın.
- ◆ Uçla düz bir çizgi halinde basınç uygulayın. Ucun delmesini sürdürmesine yetecek, ancak motoru durdurmaya yetecek veya ucu sapırtmayacak derecede basınç uygulayın.
- ◆ Matkabın dönmesini önlemek için iki elinizle sıkıca tutun.
- ◆ ÇALIŞMASI DURMUŞ BİR MATKABI YENİDEN BAŞLATMAK İÇİN TETİĞİNE BASARAK AÇMA KAPAMA YAPMAYIN. BU MATKABA HASAR VEREBİLİR.
- ◆ Basıncı azaltarak ve deliğin dip kısmını yavaşça delerek çalışma sırasındaki durmaları minimuma indirin.
- ◆ Ucu bir delinmiş delikten dışarıya doğru çekerken motoru çalışır durumda tutun. Bu, sıkışmayı önlemeye yardımcı olur.
- ◆ Düğmenin matkabı açıp kapatabildiğinden emin olun.

### Ahşapta delme işlemi

Ahşapta, metal için kullanılanlarla aynı döner matkap uçlarıyla veya kürek uçlarla delikler açılabilir. Bu uçlar keskin olmalı ve oluklarda meydana gelen talaşları temizlemek için sıkça dışarı çıkarılmalıdır.

### Metalde delme işlemi

Metalleri delerken bir kesme yağlayıcısı kullanın. Kuru delinmesi gereken dökme demir ve pirinç malzemeler istisnadır. En etkili kesme yağlayıcıları sülfürize kesme yağı veya domuz yağıdır.

### Vidalama

- ◆ Daima doğru tipte ve boyutta tornavida ucu takın.
- ◆ Vidaları sıkırmakta zorlanıyorsanız, yağlayıcı olarak az miktarda deterjan veya sabun kullanmayı deneyin.
- ◆ Aleti ve tornavida ucunu daima vidaya dik bir çizgide tutun

## Sorun Giderme

Sorun	Olası neden	Olası çözüm
Ünite çalışmıyor.	Akü takımı şarjlı değil.	Akü takımı şarj gerekliliklerini kontrol edin
Akü takımı şarj olmuyor.	Şarj cihazı takılı değil.	Şarj cihazını çalışır durumda bir prize takın.
	Ortam hava sıcaklığı çok sıcak veya çok soğuk.	Şarj cihazını ve akü takımını 40 derece F (4,5 °C) üzerinde veya 105 derece F (+40,5 °C) altında bir ortam hava sıcaklığına taşıyın
Ünite aniden kapanıyor.	Akü takımı maksimum ısı limitine ulaştı.	Akü takımını soğumaya bırakın.
	Şarjı bitti. (Akü takımının ömrünü en üst seviyeye çıkarmak için şarj bittiğinde aniden kapanacak şekilde tasarlanmıştır)	Şarj cihazının üzerine yerleştirin ve şarj olmaya bırakın.

## Bakım

BLACK+DECKER aletiniz en az bakımla uzun bir süre çalışacak şekilde tasarlanmıştır. Aletin uzun süre boyunca verimli bir şekilde çalışması, uygun bakımın ve düzenli temizliğin yapılmasına bağlıdır.

Şarj cihazınız, düzenli temizlik dışında herhangi bir bakım gerektirmemektedir.

### Uyarı! Alet üzerinde herhangi bir bakım

uyumadan önce aküyü aletten çıkartın. Şarj cihazını temizlemeden önce fişten çekin.

- ◆ Aletinizdeki ve şarj cihazındaki havalandırma deliklerini yumuşak bir fırça veya kuru bir bezle düzenli olarak temizleyin.
- ◆ Motor muhafazasını nemli bir bezle düzenli olarak temizleyin. Aşındırıcı veya çözücü madde içeren temizleyiciler kullanmayın.
- ◆ Düzenli aralıklarla mandreni açın ve hafifçe vurarak iç kısmındaki tozların dökülmesini sağlayın.

## Çevrenin korunması



Ayrı toplama. Bu sembole işaretlenen ürünler ve bataryalar normal evsel atıklarla birlikte atılmamalıdır.

Ürünler ve bataryalar, ham madde ihtiyacını azaltabilecek geri kazanılabilir veya geri dönüştürülebilir materyaller içerir. Lütfen elektrikli aletleri ve bataryaları yerel hükümler doğrultusunda geri dönüşüme tabi tutun.

[www.2helpU.com](http://www.2helpU.com) adresinde daha fazla bilgi bulunabilir.

## Teknik veriler

BDCDD186	
Voltaj	$V_{DC}$ 18
Yüksüz hız	$Min^{-1}$ 0 - 360 / 0 - 1400
Maks. tork	Nm 17,5 / 40
Mandren kapasitesi	mm 1 - 10
Maks Delme kapasitesi	
Çelik/ahşap	mm 10 / 25
Ağırlık	kg 0,84 (akü ile 1,24)

Şarj cihazı 905898**	
Giriş voltajı	$V_{AC}$ 230
Çıkış voltajı	$V_{DC}$ 18
Akım	mA 200
Yaklaşık şarj süresi	Saat 8 - 20

Şarj Cihazı 905902**	
Giriş voltajı	$V_{AC}$ 230
Çıkış voltajı	$V_{DC}$ 18
Akım	mA 400
Yaklaşık şarj süresi	Saat 4 - 10

Şarj Cihazı 905998**	
Giriş voltajı	$V_{AC}$ 230
Çıkış voltajı	$V_{DC}$ 18
Akım	Amp 1
Yaklaşık şarj süresi	Saat 1,5 - 4

Akü BL1518	
Voltaj	$V_{AC}$ 18
Kapasite	Ah 1,5
Tipi	Li-Ion

Akü BL2018	
Voltaj	$V_{AC}$ 18
Kapasite	Ah 2,0
Tipi	Li-Ion

Akü BL4018	
Voltaj	$V_{AC}$ 18
Kapasite	Ah 4,0
Tipi	Li-Ion

## EN 60745'e göre ses basıncı düzeyi:

Ses basıncı ( $L_{pA}$ ) 65,2 dB(A), belirsizlik (K) 3 dB(A),

Ses gücü ( $L_{WA}$ ) 76,2 dB(A), belirsizlik (K) 3 dB(A)

## EN 60745'e uygun olarak titreşim toplam değerleri (triaks vektör toplamı):

Metal delme ( $a_{h,d}$ ) <1,3 m/s<sup>2</sup>, belirsizlik (K) 1,5 m/s<sup>2</sup>,

Darbesiz tornavida ( $a_{v}$ ) <0,6 m/s<sup>2</sup>, belirsizlik (K) 1,5 m/s<sup>2</sup>

## AT uygunluk beyanati MAKİNE YÖNETMELİĞİ



### BDCDD186 - Matkap, Tornavida

Black & Decker, "teknik veriler" altında tanımlanan bu ürünlerin aşağıdakilere uygun olduğunu beyan eder: 2006/42/EC, EN 60745-1:2010, EN 60745-2-1:2010, EN 60745-2-2:2010.

Bu ürün aynı zamanda Direktif 2004/108/EC (19.04.2016'ya kadar) 2014/30/EU (20.04.2016'dan itibaren) ve 2011/65/EU ile uyumludur. Bu konuda daha ayrıntılı bilgi için, lütfen aşağıdaki adresi kullanarak Black & Decker ile temas kurun ve kılavuzun arkasına bakın.

Teknik dosyanın hazırlanmasından aşağıda imzası bulunan kişiler sorumludur ve ilgili kişi bu bildirimini Black & Decker adına yapmaktadır.

R. Laverick  
Mühendislik Müdürü  
Black & Decker Europe  
210 Bath Road, Slough  
Berkshire, SL1 3YD  
İngiltere  
01.12.2015

## Garanti

Black & Decker ürün kalitesine güvenir ve tüketicilerine, satın almadan itibaren 24 aylık bir garanti sunar. Bu garanti yasal haklarınıza bir ek olup bunları hiçbir şekilde etkilemez. Garanti, Avrupa Birliği Üyesi Ülkeler ve Avrupa Serbest Ticaret Bölgesi alanlarında geçerlidir.

Garanti hakkını kazanmak için, talebin Black & Decker Hüküm ve Koşulları ile uyumlu olması ve satın alma belgenizi satıcıya veya yetkili onarım temsilcisine göndermeniz gerekir.

Black & Decker 2 yıllık garanti hüküm ve koşulları ve size en yakın yetkili onarım temsilcisi merkezi, İnternet'ten, [www.2helpU.com](http://www.2helpU.com) adresinden veya bu kılavuzda belirtilen adresteki

yerel Black & Decker ofisi ile temas kurularak edinilebilir.

Yeni Black & Decker ürününüzü kaydettirmek, yeni ürünler ve özel teklifler hakkında sürekli güncel bilgi almak üzere [www.blackanddecker.co.uk](http://www.blackanddecker.co.uk) adresindeki İnternet sitemizi ziyaret edin.

Sanayi ve Ticaret Bakanlığı tebliğince kullanım ömrü 10 yıldır.

STANLEY Black & Decker TURKEY  
ALET ÜRETİM SAN. TIC. LTD.ŞTİ.  
Kozyatağı Mh Değirmen Sk.  
Nida Kule No:18 Kat:6  
34742 Kadıköy  
İstanbul, TÜRKİYE  
Tel: +90 216 665 2900  
Fax: +90 216 665 2901

Şehir	Yetkili Servis	Adres	Telefon
1 Adana	Emin Elektrik Bobinaj	Kızılay Cad. 9 Sok. No: 9/D	0322 351 80 46
2 Afyon	Emek Motor	Karaman Mah. Gazlı Göl Cad. No: 15	0272 212 11 14
3 Ağr	Tamguç Bobinaj	Kağızman Cad. No: 42	0472 215 70 41
4 Amasya	Akotec Ticaret	Yeniöl Cad. No: 85	0358 218 71 19
5 Ankara	Orhan Bobinaj	Yalıncı Sok. No: 17 Site1er	0312 350 95 29
6 Ankara	Orhan Bobinaj Şube	41. Sok. No: 39 Ostim	0312 385 92 92
7 Ankara	Yiğit Bobinaj	668. Sok. No: 8 Eminel Koop. İvedik Ostim	0312 395 05 37
8 Ankara	Başak Elektrik	Ahievran Cad. 36. sok. No: 2 Ostim	0312 386 20 84
9 Antalya	E.B.A Elektrik	San. Sit. 682. Sok No: 38	0242 345 36 22
10 Antalya	Yaşar Bobinaj	Aşağı Pazarcı Mah. San. Girişi No: 19 Manavgat	0242 744 44 07
11 Antalya	Uslu Bobinaj	G. Pınarı Mah. Oba Yolu Üzeri no: 27/C Alanya	0242 511 57 01
12 Aydın	Tacıroğlu Kaya Bobinaj	1.San. Sit. Üst San. Cad. 2. Sok. No: 31/A	0256 212 70 48
13 Aydın	Saydam Motor	Küçük San. Sit. Çubukçu Sok. No: 2/B Söke	0256 512 81 91
14 Aydın	Özgür Bobinaj	Kuşadası San. Sit. J Blok no:13 Kuşadası	0256 622 1373
15 Aydın	Ege Bobinaj	Yeni Mah Atatürk Bul. No:206/E Didim	0256 611 05 95
16 Balıkesir	Tezger Bobinaj	Yeni San. Sit. Cumhuriyet Cad. 198/A	0266 246 23 01
17 Balıkesir	Küre Bobinaj	Atatürk Cad. No: 104 Bandırma	0266 718 46 79
18 Batman	Topız Bobinaj	Cumhuriyet Cad. 1512 Sok. No: 50	0488 214 87 70
19 Bolu	Kılıçlı Ticaret	Aşağı Soku San. Sit. 37.Blok No:16	0374 215 43 64
20 Bursa	Vokart Ltd. Şti.	Gazılar Cad. Eriklı Bahçe Sok. No: 7/B	0224 254 48 75
21 Çanakkale	Kısacık Bobinaj	Namık Kemal Mah. Kaynak Sok. No: 41	0286 217 96 71
22 Çanakkale	Ovalı Bobinaj	Hamdiye Mah. İstiklal Cad. No: 160 Biga	0286 316 49 66
23 Çorum	Emek Bobinaj	Küçük San. Sit. 23. Cad No: 5/C	0384 234 68 84
24 Denizli	Örsler Bobinaj	Sedef Çarşısı 9/10	0258 261 42 74
25 Diyarbakır	Çetsan Elektrik	San. Sit. Karakol Sok. No: 1	0412 237 29 04
26 Düzce	Yıldız Makina	Burhanıye Mah. Gen. Kazım Sok. No: 10	0380 514 70 56
27 Edirne	Efe Bobinaj	Küçük San. Sit. 22. Blok	0284 225 35 73
28 Edirne	Demir Bobinaj	San. Sit. 7. Blok No: 3 Keşan	0284 714 38 26
29 Elazığ	Kalender Elektrik Bobinaj	San. Sit. 11. Sok No: 46	0424 224 85 01
30 Erzurum	Ümit Elektrik Makina	San. Çarşısı 770 Sok. No: 71	0446 224 08 01
31 Erzurum	Bursan Bobinaj	San. Sit. 5. Blok No: 135	0442 242 77 28
32 Eskişehir	Escom Elektronik	Kırmızı Toprak Mah. Ali Fuat Güven Cad. No 31/A	0222 224 15 30
33 Gaziantep	Eser Bobinaj	K.S.S.A Blok 11. Cad.25. Ada No: 55 Ş.Kamil	0342 235 30 84
34 Gaziantep	Karashaşin Bobinaj	İsmet Paşa Mah. Şenyurt Cad. No: 35	0342 231 17 33
35 Hatay	Öz Kardeş Bobinaj	Yeni San. Sit. 38/A Blok No: 34	0326 221 22 91
36 İsparta	İzmir Bobinaj	Yeni San. Sit. 6 Blok No: 28	0246 223 70 11
37 İstanbul	Akel El. Servis Hizmetleri	Nato Yolu Caddesi Özgün Sok No: 1 Y.Dudullu	0216 540 53 55
38 İstanbul	Birlik Elektromekanik	Perpa Tic. Mer. B Blok Mavi Avlu Kat.4 No: 318 Ormeydanı	0212 222 94 94
39 İstanbul	Fırat Dış Ticaret	Tersane Cad. Kuthan No: 38 Kat 3 Karaköy	0212 252 93 43
40 İstanbul	Kardeşler Bobinaj	Çağlayan Mah. Sinanpaşa Cad. No: 5 Çağlayan	0212 224 97 54
41 İstanbul	Mert Elektrik	İktilelli Org. Demirciler San. Sit. D-2 Blok No: 280 İktilelli	0212 549 65 59
42 İstanbul	Svs Teknik	İstasyon Cad. Gıptaş San. Sit. F Blok No: 24 Tuzla	0216 446 69 38
43 İstanbul	Tarık Makina	Bağdat Cad. Adalı Sok. No: 8 Maltepe	0216 441 05 59
44 İstanbul	Tekniker Bobinaj	Birlik San. Sit. 1. Cad. K.Dükkanlar No: 15 Beylikdüzü	0212 875 17 78
45 İstanbul	Orjinal Elektrik	Bağlar Mah. Mimar Sinan Cad. No:24 Güneşli	0212 515 67 71
46 İzmir	Birlik Bobinaj	2824 Sok. No: 18/1. San. Sit. Halkapınar	0232 458 39 42
47 İzmir	Boro Cıvata	1203/2 Sok. No: 21-B Yenisehir	0232 469 80 70
48 İzmir	Çetin Bobinaj	Cüneyt Bey Mah. İbrahim Turan Cad. No 98/A Menderes	0232 782 10 84
49 İzmir	Doruk Hırdavat	1426 Sok. No: 14 Hurdacılar Sitesi Doğanlar Bornova	0232 478 14 12
50 Karaman	Özüm Elektrik Bobinaj	Yeni San. Sit. 735. Sok. No: 2	0338 212 32 69
51 Kastamonu	Teknik Bobinaj	İnönü Mah. İnebolu Cad. No: 132	0366 212 62 26
52 Kayseri	Akın Elektrik Bobinaj	Eski San. Bölgesi 5. Cad. No: 8	0252 336 41 23
53 Kırklareli	Tarık Elektronik	K.İbrahim Mah. M.Kemal Bulvarı No: 72/C	0288 214 19 72
54 Kırklareli	Yalçın Bobinaj	Yeni San. Sit. C3 Blok No:55 Lüleburgaz	0288 412 41 97
55 Kocaeli	Efe Elektrik Bobinaj	Körfez San. Sit. 12. Blok No: 13	0262 335 18 94
56 Kocaeli	S.Ülsoy Bobinaj	S.Orhan Mah. İlyasbey Cad.1111 Sk No: 5/1 Gebze	0262 646 92 49
57 Kocaeli	Teknik Karot	Gaziler Mah. İbrahimağa Cad. No:125 Gebze	0262 642 79 10
58 Konya	Meb. Murat Elk. Bobinaj	Karatay San. Sit. Fatih Mah. Çiçekli Sok. No: 10	0332 235 64 63
59 Konya	Sözenler Bobinaj	Fevzi Çakmak Mah. Komsan İş Merkezi Anamur 10562 Sok. No:8	0332 342 63 18
60 Kutahya	Doğan Bobinaj	Yeni San. Sit. 19. Sok: 28/1	0274 231 22 00
61 Malatya	Özer Bobinaj	Yeni San. Sit. 2. Cad. No: 95	0422 336 39 53
62 Manisa	Çavuş Bobinaj	Kurtuluş Mah. Fatih Cad. No: 44/A Soma	0236 614 13 78
63 Manisa	Uslu Bobinaj Ve Makina	Güzelyurt Mah. Kenan Evren San. Sit. 5309 Sok. No: 63/A	0236 236 33 86
64 Mersin	Şekerler Elektrik Bobinaj	Nusratiye Mah. 5005 Sok. No: 20/A	0324 336 70 98
65 Mersin	Üniversal Bobinaj	Nusratiye Mah. Çiftçiler Cad.68 Sok. No: 19	0324 233 44 29
66 Muğla	Bodrum Makina	Türkuyusu Mah.San. Sit. Ethem Demiröz Sok. No: 8 Bodrum	0252 316 28 51
67 Muğla	General Elektrik Bobinaj	Taşyaka Mah. San. Sit. 260. Sok. No: 18 Fethiye	0252 612 38 34
68 Muğla	Başaran Teknik	Beldibi Cad. Sanayi Girişi No: 5/C Marmaris	0252 419 20 29
69 Muğla	Öztürk Bobinaj	Atakent Mah. Çevreyolu Üzeri Dalaman	0252 697 64 98
70 Nevşehir	Çiftçüğü Soğutma	Yeni San. Sit. 8. Blok No: 28	0384 213 19 96
71 Niğde	Emek Motor	Eski San. Çarşısı 1.Blok No: 2	0388 232 83 59
72 Sakarya	Engin Elektrik Bobinaj	Maltepe Mah. Orhan Gazi Cad. Şehit Metin Akkuş Sok. No: 19	0264 291 05 67
73 Samsun	Akış Bobinaj	Ulus Cad.San. Sit. Keresteciler Kısmı No: 40	0362 238 07 23
74 Sivas	Bayraktar Elektrik	Yeni Sarı No: 72/C	0346 221 47 55
75 Şanlıurfa	Ay Elektrik	Samsat Kapı Aşaroğlu Garajı No: 19	0414 215 74 96
76 Tekirdağ	Birkan Teknik	Şeyhinsan Mah. Ş.Pilot İ.Aksoy Sok. Aksoy Psj. No: 20/7-E ÇORLU	0282 654 50 71
77 Tekirdağ	Çetin Elektrik Bobinaj	100.Yıl San. Sit. 14B Blk. No: 10	0282 263 86 60
78 Tokat	Çetin Elektrik Bobinaj	San. Sit. Camii Altı No: 22	0356 214 63 07
79 Trabzon	Akçay Bobinaj Makina	Yaylacık Mah. Tosun San Sit No: 3 Akçaabat	0462 227 54 26
80 Trabzon	Makina Market	Rize Cad. No: 71 Değirmendere	0462 328 14 80
81 Uşak	Zengin Bobinaj	İslice Mah. Ürem Sok. No: 10/C	0276 227 27 46
82 Van	Özen Elektrik Bobinaj	Alçıkeçi Pasajı No: 41	0432 214 22 20
83 Yalova	Deniz El. Ser. Hizmetleri	Hürriyet Mah. Eski Bursa Cad. No: 39 Altınova	0226 461 22 43
84 Zonguldak	Genel Elektromotor	Çınarates Mah.T.T.K 69 Arbarları 4. Kısım	0372 268 08 64
85 Zonguldak	Tümen Makina	Kışla Sanayi Sit. D Blok No: 17 Kdz.Ereğli	0372 323 74 97

## BLACK & DECKER JÓTÁLLÁSI JEGY ÉS JÓTÁLLÁSI FELTÉTELEK

Gratulálunk Önnek ennek az értékes Black & Decker készülék megvásárlásához.

Azon termékeinkre, amelyet fogyasztói szerződés keretében háztartási, hobby célra vásárolnak **24 hónap jótállást vállalunk.**

### A termék iparszerű használatra nem alkalmas!

A jótállás a fogyasztó jogszabályból eredő jogait nem érinti.

- 1) A Stanley Black & Decker Hungary Kft. a jótállás, kellék- és termékszavatosság keretében végzett javításokat vagy a termék kicserélését 19/2014. (IV.29.) NGM rendelet és a 151/2003. (IX.22.) Kormányrendelet szerint végzi a jótállási idő, illetve a kellék- és termékszavatossági jogok érvényesíthetőségének teljes időtartama alatt.
  - a) A fogyasztó jótállási igényét a jótállási jeggyel érvényesítheti, ezért kérjük azt őrizze meg.
  - b) Vásárláskor a forgalmazónak (kereskedőnek) a jótállási jeggyen fel kell tüntetnie a fogyasztási cikk azonosításra alkalmas megnevezését, típusát, gyártási számát, továbbá – amennyiben van ilyen – azonosításra alkalmas részeinek meghatározását, illetve a fogyasztó részére történő átadásának időpontját. A jótállási jegyet a forgalmazó (kereskedő) nevében eljáró személynek alá kell írnia és a kereskedés azonosítására alkalmas tartalmú (minimum cégnev, üzlet címe) bélyegzővel olvashatóan le kell bélyegezni. Kérjük, kísérje figyelemmel a jótállási jegy megfelelő érvényesítését, mivel a kijelölt szervizeknél a jótállási igény csak érvényes jótállási jeggyel érvényesíthető. Amennyiben a jótállási jegy szabálytalanul került kiállításra, jótállási igényével kérjük forduljon a termékét az Ön részére értékesítő partnerünkhöz (kereskedőhöz). A jótállási jegy szabálytalan kiállítása vagy a fogyasztó rendelkezésére bocsátás elmaradása nem érinti a jótállási érvényességét. Kérjük, hogy a jótállási jeggyen kívül a nyugtát vagy számlát is szíveskedjen megőrizni a gyorsabb és hatékonyabb ügyintézés érdekében, mert a szerződés megkötése az ellenérték megfizetését igazoló bizonylattal is bizonyítható.
  - c) Elvesztett jótállási jegyet csak a fogyasztói szerződés létrejöttét igazoló nyugta vagy számla ellenében tudunk pótolni!
- 2) **Nem terjed ki a jótállás:**
  - a) amennyiben a hiba oka rendeltetésellenes, illetve a mellékelt magyar nyelvű használati kezelési útmutatóban foglaltaktól eltérő használat, átalakítás, szakszerűtlen kezelés, helytelen tárolás, elemi kár vagy egyéb a vásárlás után a fogyasztó érdekkörében keletkezett ok miatt következik be;
  - b) amennyiben a terméket iparszerű (professzionális) célokra használták, kölcsönzési szolgáltatás nyújtásához használták fel (nem fogyasztói szerződés);
  - c) azon alkatrészekre, amelyek esetében a meghibásodás a jótállási időn belüli rendeltésszerű használat mellett az alkatrészek természetes elhasználódása, kopása miatt következett be (így különösen: fűrészlán, fűrészlap, gyalukés, meghatószíj, csapagtyak, szénkefe, csillagkerék);
  - d) a készülék túlterhelése miatt jelentkező hibákra, amelyek a hájtómű meghibásodásához, vagy egyéb addó adódó károkhoz vezetnek;
  - e) a termék nem hivatalos szervizben történt javításából eredő hibákra;
  - f) az olyan károsodásokra, amelyek nem eredeti Black & Decker kiegészítő készülékek és tartozékok használatából adódnak **amennyiben a szakszerviz bizonyítja, hogy a hiba a fenti okok valamelyikére vezethető vissza.**
- 3) A fogyasztó a javítás vagy csere iránti igényét a jótállási időn belül a kereskedőnél, illetve javítás iránti igényét a jótállási jeggyen feltüntetett javítószolgálatnál is érvényesítheti.

Termékszavatossági igényét kérjük a jótállási jeggyen feltüntetett gyártónak vagy forgalmazónak szíveskedjen bejelenteni.

- a) Nem számít bele a jótállási időbe a kijavítási időnek az a része, amely alatt a fogyasztó a terméket nem tudta rendeltésszerűen használni.
  - b) A terméknek a kicseréléssel vagy kijavítással érintett részére a jótállási idő újból kezdődik.
  - c) Ha a fogyasztási cikk a vásárlástól (üzembe helyezéstől) számított három munkanapon belül meghibásodik, a fogyasztó ezen időtartamon belül kérheti annak kicserélését feltéve, hogy a meghibásodás a rendeltésszerű használatot akadályozza. A hiba fennállásának, vagy a rendeltésszerű használatot akadályozó mérték megállapításához a kereskedő kérheti a szakszerviz közreműködését.
  - d) Amennyiben a jótállási igény bejelentését követően a kereskedő az igény teljesíthetőségéről azonnal nem tud nyilatkozni, úgy öt munkanapon belül kell értesítenie a fogyasztót az álláspontjáról.
  - e) Ha a kijavítás vagy a csere nem lehetséges, a fogyasztó választása szerint műszakilag és értékében hasonló készülék kerül felajánlásra, vagy a vételár arányos leszállításra kerül sor, vagy visszafizetésre kerül a vételár.
  - f) A termék hibája miatt a fogyasztó a forgalmazótól is követelheti a hiba kijavítását vagy a termék kicserélését a forgalomba hozataltól számított két év elteltéig (termékszavatosság).
- 4) A jótállás alapján történő javítás során a forgalmazónak, illetve a javítószolgálatnak (kereskedőnek) törekednie kell arra, hogy a javítást legfeljebb 15 napon belül megfelelő minőségben elvégezze, elvégeztesse.

A jótállás keretében tartozó javítás vagy csere esetén a forgalmazó, illetve a javítószolgálat a jótállási jeggyen köteles feltüntetni:

- a javítás iránti igény bejelentésének és a javításra történő átvétel időpontját,
- a hiba okát és a javítás módját;
- a termékfogyasztó részére történő visszaadásának időpontját,
- a kicserélés tényét és időpontját.

### A termék meghibásodása esetén a fogyasztót az alábbi jogok illetik meg:

Elsősorban - választása szerint - kijavítást vagy kicserélést követelhet. A csereigény akkor megalapozott, ha a termék a fogyasztónak okozott jelentős kényelmetlenség nélkül, megfelelő minőségben és ésszerű határidőn belül, értéksökkenés nélkül nem javítható ki, vagy nem kerül kijavításra.

Ha az előírt módon történő kijavításra, illetve kicserélésre vonatkozó kötelezettségének a forgalmazó nem tud eleget tenni, a fogyasztó – választása szerint – a vételár arányos leszállítást igényelheti, a hibát a forgalmazó költségére maga kijavíthatatja, vagy elállhat a szerződéstől (a hibás áru visszaszolgáltatásával egyidejűleg kérheti a nyugtán vagy számlán feltüntetett bruttó vételár visszatérítését). Jelentéktelen hiba miatt ellátásnak nincs helye!

Kérjük, hogy a hiba felfedezését követő legrövidebb időn belül szíveskedjen azt a szervizben vagy a forgalmazónál bejelenteni. A kijavítást vagy kicserélést - a dolog tulajdonságaira és a fogyasztó által elvárható rendeltetésére figyelemmel - megfelelő határidőn belül, a fogyasztó érdekeit kímélve kell elvégezni.

Gyártó:	Forgalmazó:
Black & Decker Europe,	Stanley Black & Decker Hungary Kft
210 Bath Road, Slough,	1016. Budapest,
Berkshire, SL13YD,	Mészáros u. 58/B
Egyesült Királyság	

**Fogyasztói jogvita esetén a fogyasztó a megyei (fővárosi) kereskedelmi és iparkamarák mellett működő békéltető testület eljárását is kezdeményezheti!**



**Kereskedő által a vásárlással egyidejűleg kitöltendő**

Kereskedő neve és címe:  
.....

A fogyasztási cikk megnevezése:.....

Típusa:.....

Gyártási száma: .....

Szerződéskötés és a termék fogyasztó részére történő átadásának dátuma: ..... P.H.  
aláírás

**Kereskedő által kitöltendő kicserélés esetén**

A fogyasztó a hibás terméket valamennyi tartozékával átadta.

A kicserélés időpontja: ..... P.H.  
aláírás

A hibátlan terméket átvettem.

A kicserélt új termék átvételének időpontja: .....

**fogyasztó aláírása**

**Kijavítás esetén a szerviz tölti ki:**

**1. javítás**

A kijavítás iránti igény bejelentésének és a kijavításra átvétel időpontja:  
.....

A bejelentett hiba oka és a kijavítás módja:  
.....

A fogyasztó részére történő visszaadás időpontja:  
.....

Amennyiben a termék nem javítható, a csereigény alapos:  
igen / nem (aláhúzással jelölendő) ..... P.H.  
aláírás

**3. javítás**

A kijavítás iránti igény bejelentésének és a kijavításra átvétel időpontja:  
.....

A bejelentett hiba oka és a kijavítás módja:  
.....

A fogyasztó részére történő visszaadás időpontja:  
.....

Amennyiben a termék nem javítható, a csereigény alapos:  
igen / nem (aláhúzással jelölendő) ..... P.H.  
aláírás

**2. javítás**

A kijavítás iránti igény bejelentésének és a kijavításra átvétel időpontja:  
.....

A bejelentett hiba oka és a kijavítás módja:  
.....

A fogyasztó részére történő visszaadás időpontja:  
.....

Amennyiben a termék nem javítható, a csereigény alapos:  
igen / nem (aláhúzással jelölendő) ..... P.H.  
aláírás

**4. javítás**

A kijavítás iránti igény bejelentésének és a kijavításra átvétel időpontja:  
.....

A bejelentett hiba oka és a kijavítás módja:  
.....

A fogyasztó részére történő visszaadás időpontja:  
.....

Amennyiben a termék nem javítható, a csereigény alapos:  
igen / nem (aláhúzással jelölendő) ..... P.H.  
aláírás

## Stanley Black &amp; Decker Hungary Kft

Iroda

1016 Bp. Mészáros u 58/b.

Tel.

214-05-61

Fax.

214-69-35

## Központi Márkaszerviz

Elérhetőség

ROTEL Kft. Márkaszerviz 1163 Bp. (Sashalom) Thököly út 17.

Tel/fax

403-22-60, 404-00-14,  
403-65-33

service@rotelkft.hu

www.rotelkft.hu

## Garancián túli javító ill. garanciális átvevőhelyek

Város	Szervizállomás	Cím	Telefon
Cegléd	Megatool Kft.	2700, Széchenyi út 4.	53/311-284
Debrecen	Spirál-szerviz kft	4025, Nyugati út 5-7.	52443-000
Hajdúböszörmény	Vill-For Szerviz Bt	4220, Balthazár u. 26.	52/561-135
Kaposvár	Kaposvári Kíségjavító és Ért. BT	7400, Fő u.30.	82/318-574
Nagykanizsa	Vektor2000BT	8800, Király u 34.	93/310-937
Nyíregyháza	Charon Trade Kft	4400, Kállói út 85/b	42/460-154
Nyíregyháza	Tóth Kíségpszerviz	4400, Vasgyár u.2/f	42/504-082
Pécs	Elektrió Kft.	7623, Szabadság u.28.	72/555-657
Szeged	Csavarker Plus Kft	6721, Brüsszeli krt.16.	62/542-870
Székesfehérvár	Kíségép Center Bt.	8000, Széna tér 3.	22/340-026
Szolnok	Valido BT	5000 Dr Elek István u 5	20/4055711
Szombathely	Rotor Kft.	9700, Vasút u.29.	94/317-579
Tápiószecső	ÁCS.I Ker és Szolg Kft	2251, Pesti út 31-es főút	29/446-615

**CZ** ZÁRUČNÍ LIST

**PL** KARTA GWARANCYJNA

**H** JÓTÁLLÁSI JEGY

**SK** ZÁRUČNÝ LIST



**CZ** měsíců  
**H** hónap

**24**

**PL** miesiące  
**SK** mesiacov

<b>CZ</b> Výrobní kód	Datum prodeje	Razítko prodejny Podpis
<b>H</b> Gyári szám	A vásárlás napja	Pecset helye Aláírás
<b>PL</b> Numer seryjny	Data sprzedaży	Stempel Podpis
<b>SK</b> Číslo série	Dátum predaja	Pečiatka predajne Podpis

**CZ**  
Adresy servisu  
Band Servis  
Klážterského 2  
CZ-140 00 Praha 4  
Tel.: 00420 244 403 247  
Fax: 00420 241 770 167

Band Servis  
K Pasekám 4440  
CZ-76001 Zlín  
Tel.: 00420 577 008 550,1  
Fax: 00420 577 008 559  
<http://www.bandservis.cz>

**H**  
Black & Decker Központi  
Garanciális-és Márkaszerviz  
1163 Budapest  
(Sashalom) Thököly út 17.  
Tel.: 403-2260  
Fax: 404-0014  
[www.rotelkft.hu](http://www.rotelkft.hu)

**PL**  
Adres servisu centralnego  
ERPATECH  
ul. Bakaliowa 26  
05-080 Mościska  
Tel.: 022-8620808  
Fax: 022-8620809

**SK**  
Adresa servisu  
Band Servis  
Paulínska ul. 22  
SK-91701 Trnava  
Tel.: 00421 335 511 063  
Fax: 00421 335 512 624

<b>CZ</b> Dokumentace záruční opravy	<b>PL</b> Przebieg napraw gwarancyjnych
<b>H</b> A garanciális javítás dokumentálása	<b>SK</b> Záznamy o záručných opravách

CZ	Číslo	Datum příjmu	Datum zakázky	Číslo zakázky	Závada	Razítko Podpis
H	Sorszám	Bejelentés időpontja	Javítási időpont	Javítási munkalapszám	Hiba jelleg oka	Pecset Aláírás
	Jótállás új határideje					
PL	Nr.	Data zgłoszenia	Data naprawy	Nr. zlecenia	Przebieg naprawy	Stempel Podpis
SK	Číslo dodávky	Dátum nahlásenia	Dátum opravy	Číslo objednávky	Popis poruchy	Pečiatka Podpis







