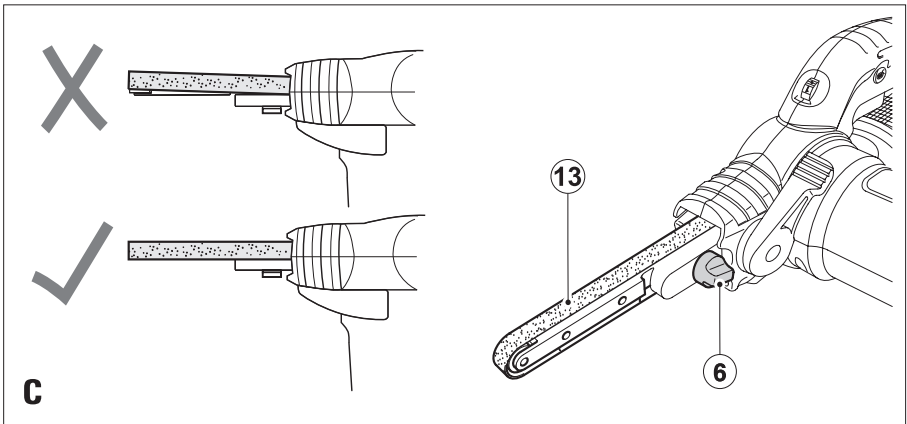
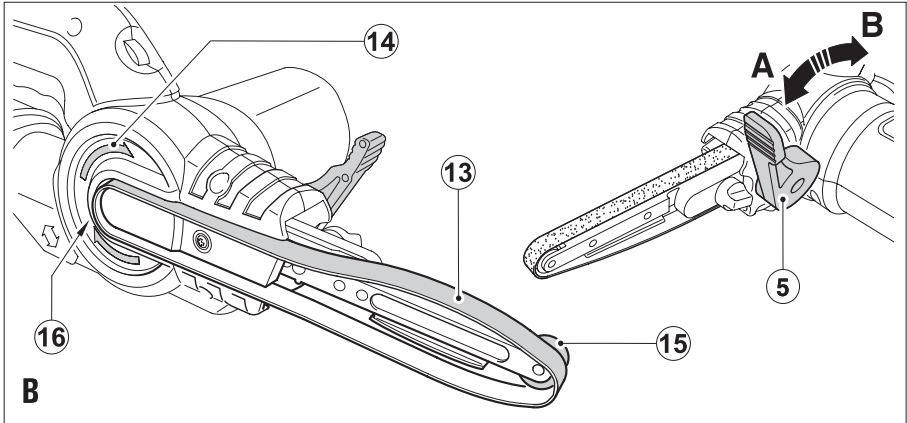
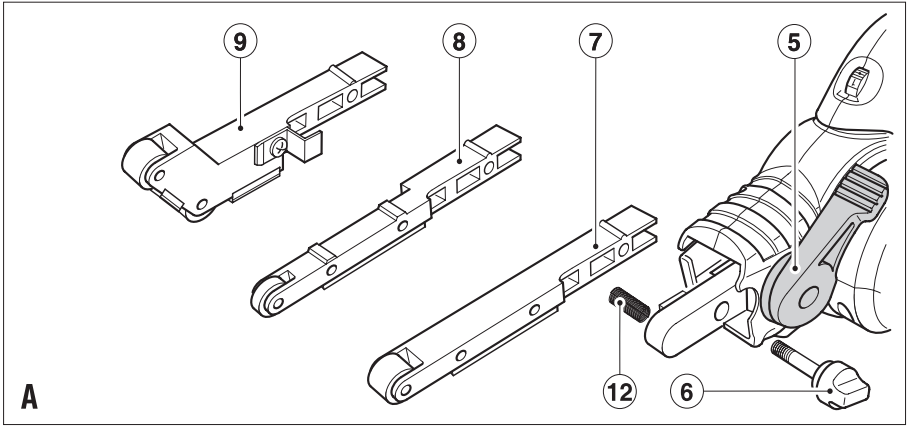
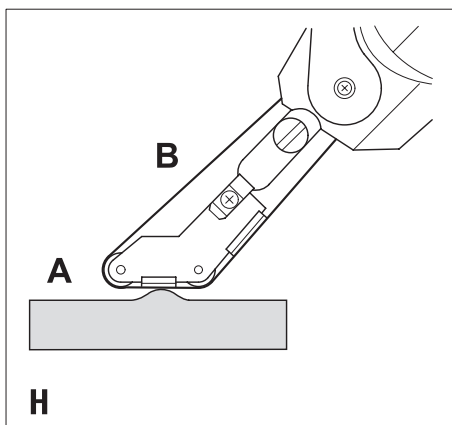
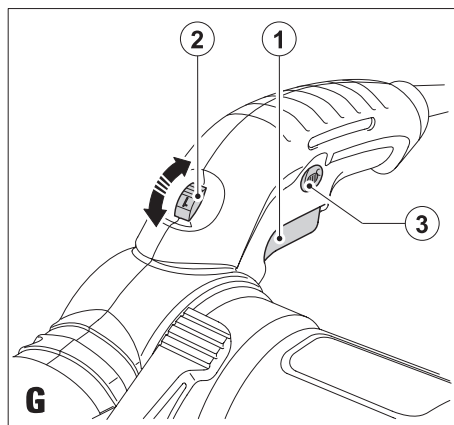
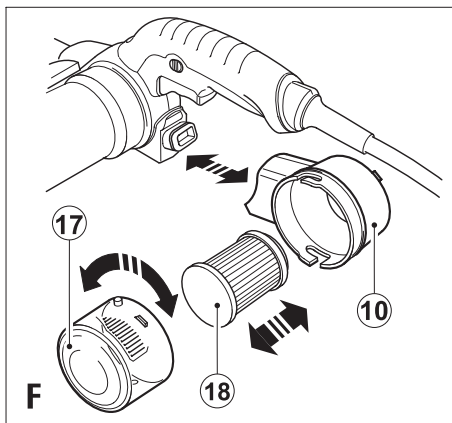
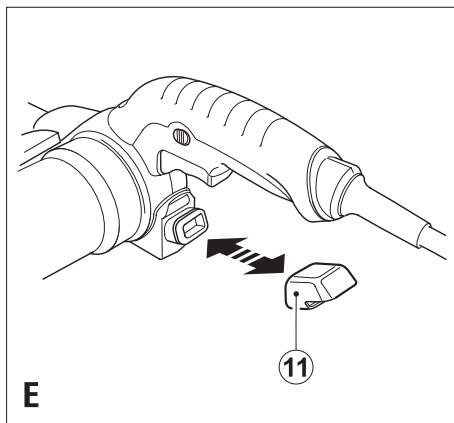
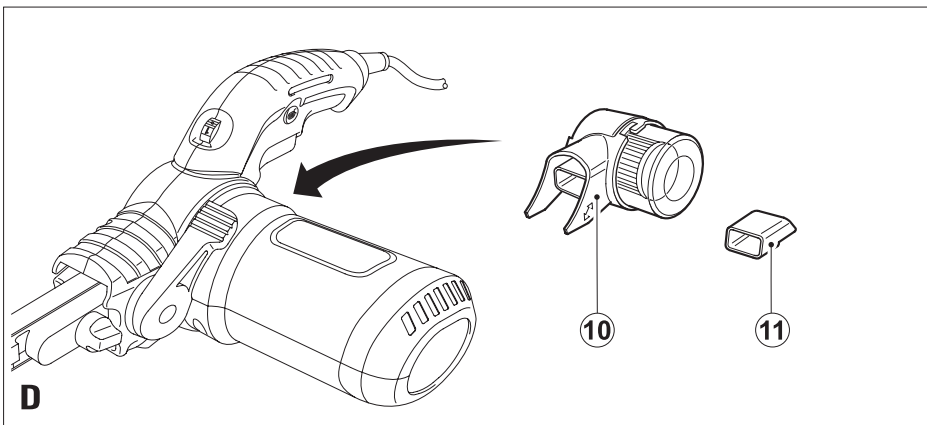
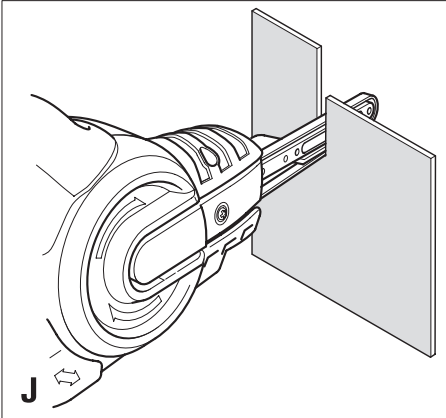
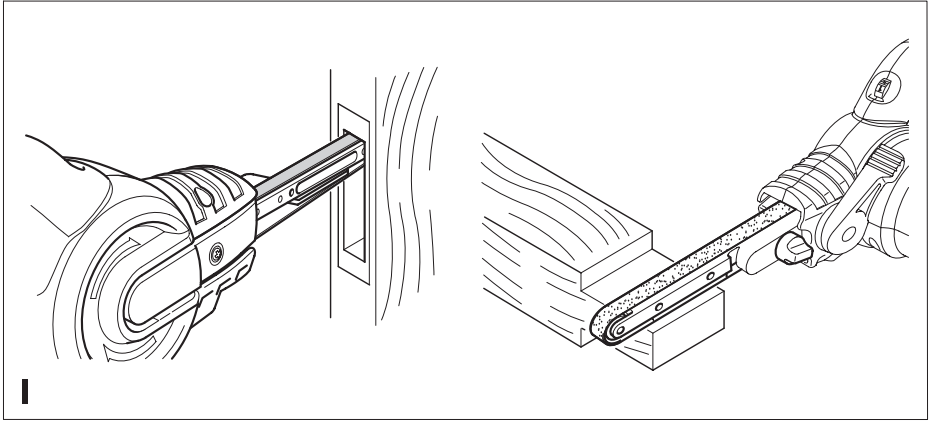


English	(Original instructions)	6
Deutsch	(Übersetzung der Originalanleitung)	12
Français	(Traduction des instructions d'origine)	18
Italiano	(Traduzione delle istruzioni originali)	24
Nederlands	(Vertaling van de originele instructies)	30
Español	(Traducción de las instrucciones originales)	36
Português	(Tradução das instruções originais)	42
Svenska	(Översättning av de ursprungliga anvisningarna)	48
Norsk	(Oversettelse av de opprinnelige instruksjonene)	54
Dansk	(Oversættelse af de originale instruktioner)	60
Suomi	(Alkuperäisten ohjeiden käännös)	66
Ελληνικά	(Μετάφραση των αρχικών οδηγιών)	72







## Intended use

Your Black & Decker Powerfile™ sander has been designed for sanding wood, metal, plastics and painted surfaces. This tool is intended for consumer use only.

## Safety instructions

### General power tool safety warnings



**Warning! Read all safety warnings and all instructions.** Failure to follow the warnings and instructions listed below may result in electric shock, fire and/or serious injury.

Save all warnings and instructions for future reference.

The term "power tool" in all of the warnings listed below refers to your mains operated (corded) power tool or battery operated (cordless) power tool.

1. **Work area safety**
  - a. **Keep work area clean and well lit.** Cluttered or dark areas invite accidents.
  - b. **Do not operate power tools in explosive atmospheres, such as in the presence of flammable liquids, gases or dust.** Power tools create sparks which may ignite the dust or fumes.
  - c. **Keep children and bystanders away while operating a power tool.** Distractions can cause you to lose control.
2. **Electrical safety**
  - a. **Power tool plugs must match the outlet. Never modify the plug in any way.** Do not use any adapter plugs with earthed (grounded) power tools. Unmodified plugs and matching outlets will reduce risk of electric shock.
  - b. **Avoid body contact with earthed or grounded surfaces such as pipes, radiators, ranges and refrigerators.** There is an increased risk of electric shock if your body is earthed or grounded.
  - c. **Do not expose power tools to rain or wet conditions.** Water entering a power tool will increase the risk of electric shock.
  - d. **Do not abuse the cord. Never use the cord for carrying, pulling or unplugging the power tool. Keep cord away from heat, oil, sharp edges or moving parts.** Damaged or entangled cords increase the risk of electric shock.
  - e. **When operating a power tool outdoors, use an extension cord suitable for outdoor use.** Use of a cord suitable for outdoor use reduces the risk of electric shock.
  - f. **If operating a power tool in a damp location is unavoidable, use a residual current device (RCD) protected supply.** Use of an RCD reduces the risk of electric shock.
3. **Personal safety**
  - a. **Stay alert, watch what you are doing and use common sense when operating a power tool. Do not use a power tool while you are tired or under the influence of drugs, alcohol or medication.** A moment of inattention while operating power tools may result in serious personal injury.
  - b. **Use personal protective equipment. Always wear eye protection.** Protective equipment such as dust mask, non-skid safety shoes, hard hat, or hearing protection used for appropriate conditions will reduce personal injuries.
  - c. **Prevent unintentional starting. Ensure the switch is in the off-position before connecting to power source and/or battery pack, picking up or carrying the tool.** Carrying power tools with your finger on the switch or energising power tools that have the switch on invites accidents.
  - d. **Remove any adjusting key or wrench before turning the power tool on.** A wrench or a key left attached to a rotating part of the power tool may result in personal injury.
  - e. **Do not overreach. Keep proper footing and balance at all times.** This enables better control of the power tool in unexpected situations.
  - f. **Dress properly. Do not wear loose clothing or jewellery. Keep your hair, clothing and gloves away from moving parts.** Loose clothes, jewellery or long hair can be caught in moving parts.
  - g. **If devices are provided for the connection of dust extraction and collection facilities, ensure these are connected and properly used.** Use of dust collection can reduce dust-related hazards.
4. **Power tool use and care**
  - a. **Do not force the power tool. Use the correct power tool for your application.** The correct power tool will do the job better and safer at the rate for which it was designed.
  - b. **Do not use the power tool if the switch does not turn it on and off.** Any power tool that cannot be controlled with the switch is dangerous and must be repaired.
  - c. **Disconnect the plug from the power source and/or the battery pack from the power tool before making any adjustments, changing accessories, or storing power tools.** Such preventive safety measures reduce the risk of starting the power tool accidentally.
  - d. **Store idle power tools out of the reach of children and do not allow persons unfamiliar with the power tool or these instructions to operate the power tool.** Power tools are dangerous in the hands of untrained users.
  - e. **Maintain power tools. Check for misalignment or binding of moving parts, breakage of parts and any other condition that may affect the power tools operation. If damaged, have the power tool repaired**

**before use.** Many accidents are caused by poorly maintained power tools.

- f. **Keep cutting tools sharp and clean.** Properly maintained cutting tools with sharp cutting edges are less likely to bind and are easier to control.
  - g. **Use the power tool, accessories and tool bits etc. in accordance with these instructions, taking into account the working conditions and the work to be performed.** Use of the power tool for operations different from those intended could result in a hazardous situation.
5. Service
- a. **Have your power tool serviced by a qualified repair person using only identical replacement parts.** This will ensure that the safety of the power tool is maintained.

### Additional power tool safety warnings



**Warning!** Additional safety warnings for sanders

- ◆ **Hold the power tool by insulated gripping surfaces, because the sanding belt / sanding base may contact its own cord.** Cutting a "live" wire may make exposed metal parts of the power tool "live" could give the operator an electric shock.
- ◆ **Use clamps or another practical way to secure and support the workpiece to a stable platform.** Holding the work by hand or against your body leaves it unstable and may lead to loss of control.
- ◆ **Warning!** Contact with or inhalation of dusts arising from sanding applications may endanger the health of the operator and possible bystanders. Wear a dust mask specifically designed for protection against dust and fumes and ensure that persons within or entering the work area are also protected.
- ◆ Thoroughly remove all dust after sanding.
- ◆ Take special care when sanding paint which is possibly lead based or when sanding some woods and metal which may produce toxic dust:
  - Do not let children or pregnant women enter the work area.
  - Do not eat, drink or smoke in the work area.
  - Dispose of dust particles and any other debris safely.
- ◆ This tool is not intended for use by persons (including children) with reduced physical, sensory or mental capabilities, or lack of experience and knowledge, unless they have been given supervision or instruction concerning use of the appliance by a person responsible for their safety.  
Children should be supervised to ensure that they do not play with the appliance.
- ◆ The intended use is described in this instruction manual.

The use of any accessory or attachment or performance of any operation with this tool other than those recommended in this instruction manual may present a risk of personal injury and/or damage to property.

### Safety of others

- ◆ This appliance is not intended for use by persons (including children) with reduced physical, sensory or mental capabilities, or lack of experience and knowledge, unless they have been given supervision or instruction concerning use of the appliance by a person responsible for their safety.
- ◆ Children should be supervised to ensure that they do not play with the appliance.

### Residual risks.

Additional residual risks may arise when using the tool which may not be included in the enclosed safety warnings. These risks can arise from misuse, prolonged use etc. Even with the application of the relevant safety regulations and the implementation of safety devices, certain residual risks can not be avoided. These include:

- ◆ **Injuries caused by touching any rotating/moving parts.**
- ◆ **Injuries caused when changing any parts, blades or accessories.**
- ◆ **Injuries caused by prolonged use of a tool. When using any tool for prolonged periods ensure you take regular breaks.**
- ◆ **Impairment of hearing.**
- ◆ **Health hazards caused by breathing dust developed when using your tool (example:- working with wood, especially oak, beech and MDF.)**

### Vibration

The declared vibration emission values stated in the technical data and the declaration of conformity have been measured in accordance with a standard test method provided by EN 60745 and may be used for comparing one tool with another. The declared vibration emission value may also be used in a preliminary assessment of exposure.

**Warning!** The vibration emission value during actual use of the power tool can differ from the declared value depending on the ways in which the tool is used. The vibration level may increase above the level stated.

When assessing vibration exposure to determine safety measures required by 2002/44/EC to protect persons regularly using power tools in employment, an estimation of vibration exposure should consider, the actual conditions of use and the way the tool is used, including taking account of all parts of

the operating cycle such as the times when the tool is switched off and when it is running idle in addition to the trigger time.

## Labels on tool

The following pictograms are shown on the tool:



**Warning!** To reduce the risk of injury, the user must read the instruction manual.



Fit the dustbag or dust cassette before using the tool on wooden workpieces.



Remove the dustbag or cassette and fit the deflector before using the tool on workpieces containing metal.

## Electrical safety



This tool is double insulated; therefore no earth wire is required. Always check that the power supply corresponds to the voltage on the rating plate.

- ◆ If the supply cord is damaged, it must be replaced by the manufacturer or an authorised Black & Decker Service Centre in order to avoid a hazard.

## Features

Your tool has some or all of the following features:

1. On/off switch
2. Variable speed control knob
3. Lock-on button
4. Secondary handle
5. Belt tensioning lever
6. Belt tracking knob
7. Straight arm

## Fig. A

8. Narrow arm
9. Cranked arm

## Fig. D

10. Dust cassette
11. Deflector

## Assembly

**Warning!** Before assembly, make sure that the tool is switched off and unplugged.

## Fitting and removing sanding arms (fig. A & B)

The tool is supplied with the following sanding arms:

- ◆ Straight arm (7), sanding width 13 mm

- ◆ Narrow arm (8), sanding width 6 mm, for intricate work
- ◆ Cranked arm (9) for grooving and sanding in the centre of workpieces and for reaching confined areas

Before first use, you must fit the sanding arm to the tool.

## Fitting

- ◆ Make sure that the belt tensioning lever (5) is in the position shown.
- ◆ Loosen and remove the belt tracking knob (6).
- ◆ Remove the tape retaining the spring (12) (if present).
- ◆ Check that the spring (12) is located in its mounting hole.
- ◆ Position the arm as shown.
- ◆ Fit the belt tracking knob (6) and tighten it until the arm (7) is aligned with the tool.

## Removing

- ◆ Remove the sanding belt (13) (if present) as described below.
- ◆ Loosen and remove the belt tracking knob (6).
- ◆ Remove the arm.

**Warning!** Be careful not to lose the spring (12).

## Fitting and removing sanding belts (fig. B)

**Warning!** The spring must be fitted. Be careful not to lose the spring (12).

## Fitting

- ◆ Move the belt tensioning lever (5) to the front position (A).
- ◆ Make sure that the arrows on the inside of the sanding belt (13) face the same direction as the arrows (14) on the housing.
- ◆ Place the sanding belt (13) over the front pulley (15) and the rear pulley (16), sliding it through the slot in the housing.
- ◆ Move the belt tensioning lever (5) to the rear position (B).
- ◆ Adjust the belt tracking as described below.

## Removing

- ◆ Move the belt tensioning lever (5) to the front position (A).
- ◆ Slide the sanding belt (13) off the pulleys.

## Adjusting the sanding belt tracking (fig. C)

- ◆ Switch the tool on.
- ◆ Turn the belt tracking knob (6) as required until the sanding belt (13) runs straight along the length of the arm.

## Fitting and removing the dust cassette (fig. D & F)

**Warning!** Always remove the dust cassette and fit the deflector when using the tool on metal workpieces.

- ◆ Fit the dust cassette (10) over the dust extraction outlet.
- ◆ Slide the item onto the tool and make sure that it is securely located.
- ◆ To remove the dust cassette, pull it to the rear and off the outlet.



### Fitting and removing the deflector (fig. D & E)

**Warning!** The deflector must be used when sanding metal workpieces.

- ◆ Fit the deflector (11) over the dust extraction outlet.
- ◆ Slide the deflector onto the tool and make sure that it is securely located.
- ◆ To remove the deflector, pull it to the rear and off the outlet.

### Use

**Warning!** Let the tool work at its own pace. Do not overload.

### Variable speed control (fig. G)

The variable speed control allows you to adapt the speed of the tool to the workpiece material.

- ◆ Set the control knob (2) to the desired setting. Use a high speed for wood, medium speed for veneer and synthetics and low speed for acrylic glass, non-ferrous metals and for removing paints.

### Switching on and off (fig. G)

- ◆ To switch the tool on, press the on/off switch (1).
- ◆ For continuous operation, press the lock-on button (2) and release the on/off switch (1).
- ◆ To switch the tool off, release the on/off switch (1).
- ◆ To switch the tool off when in continuous operation, press the on/off switch (1) once more and release it.

### Emptying the dust cassette (fig. F)

The dust cassette (10) should be emptied every 10 minutes of use.

- ◆ Pull the dust cassette (10) to the rear and off the tool.
- ◆ Remove the cover (17) by twisting it counter-clockwise.
- ◆ Hold dust cassette (10) with the filter (18) facing down and shake the cassette (10) to empty the contents.
- ◆ Shake the cover (17) to empty the contents.
- ◆ Refit the cover (17) onto the dust cassette (10), twisting it clockwise until it locks into place.
- ◆ Refit the dust cassette (10) onto the tool.

### Cleaning the dust cassette filter (fig. F)

**Warning!** Do not brush or use compressed air or sharp objects to clean the filter. Do not wash the filter.

- ◆ The dust cassette filter (18) is re-usable and should be cleaned regularly.
- ◆ Empty the dust cassette (10) as described above.
- ◆ Pull the filter (18) off the dust cassette (14).
- ◆ Shake off the excess dust by tapping the filter (18) into a dustbin.
- ◆ Replace the filter (18).
- ◆ Fit the cover (17).
- ◆ Slide the dust cassette (10) onto the tool and make sure that it is securely located.

### Special applications (fig. H, I & J)

#### Cranked arm (fig. H)

- ◆ Use section A for grooving or sanding in the centre of workpieces and in confined areas.
- ◆ Use section B for curved surfaces.

#### Straight arm (fig. I)

- ◆ Use the normal or narrow arms for general use, for slotting and for making joints.

#### Narrow arm (fig. J)

- ◆ Use the narrow arm for finer detail, for cutting and for carving.

### Hints for optimum use

- ◆ Always hold the tool with both hands.
- ◆ Do not exert too much pressure on the tool.
- ◆ Regularly check the condition of the sanding belt (12). Replace when necessary.
- ◆ Always sand with the grain of the wood.
- ◆ When sanding new layers of paint before applying another layer, use extra fine grit.
- ◆ On very uneven surfaces, or when removing layers of paint, start with a coarse grit. On other surfaces, start with a medium grit. In both cases, gradually change to a fine grit for a smooth finish.
- ◆ Consult your retailer for more information on available accessories.

### Maintenance

Your tool has been designed to operate over a long period of time with a minimum of maintenance. Continuous satisfactory operation depends upon proper tool care and regular cleaning.

**Warning!** Before performing any maintenance, switch off and unplug the tool.

- ◆ Regularly clean the ventilation slots in your tool using a soft brush or dry cloth.
- ◆ Regularly clean the motor housing using a damp cloth. Do not use any abrasive or solvent-based cleaner.

### Mains plug replacement (U.K. & Ireland only)

If a new mains plug needs to be fitted:

- ◆ Safely dispose of the old plug.
- ◆ Connect the brown lead to the live terminal in the new plug.
- ◆ Connect the blue lead to the neutral terminal.

**Warning!** No connection is to be made to the earth terminal. Follow the fitting instructions supplied with good quality plugs. Recommended fuse: 5 A.

## Protecting the environment



Separate collection. This product must not be disposed of with normal household waste.

Should you find one day that your Black & Decker product needs replacement, or if it is of no further use to you, do not dispose of it with household waste. Make this product available for separate collection.



Separate collection of used products and packaging allows materials to be recycled and used again. Re-use of recycled materials helps prevent environmental pollution and reduces the demand for raw materials.

Local regulations may provide for separate collection of electrical products from the household, at municipal waste sites or by the retailer when you purchase a new product.

Black & Decker provides a facility for the collection and recycling of Black & Decker products once they have reached the end of their working life. To take advantage of this service please return your product to any authorised repair agent who will collect them on our behalf.

You can check the location of your nearest authorised repair agent by contacting your local Black & Decker office at the address indicated in this manual. Alternatively, a list of authorised Black & Decker repair agents and full details of our after-sales service and contacts are available on the Internet at: [www.2helpU.com](http://www.2helpU.com)

### Technical data

	KA902E Type 1
Input voltage	$V_{AC}$ 230
Power input	W 400
No-load speed	$\text{min}^{-1}$ 900-1,600
Weight	kg 1.6

Level of sound pressure according to EN 60745:

Sound pressure ( $L_{pA}$ ) 84 dB(A), uncertainty (K) 3 dB(A)

Sound power ( $L_{WA}$ ) 95 dB(A), uncertainty (K) 3 dB(A)

Vibration total values (triax vector sum) according to EN 60745:

Vibration emission value ( $a_n$ ) 1,7  $\text{m/s}^2$ ,  
uncertainty (K) 1,5  $\text{m/s}^2$

## EC declaration of conformity

MACHINERY DIRECTIVE



KA902E

Black & Decker declares that these products described under "technical data" are in compliance with:

2006/42/EC, EN 60745-1, EN 60745-2-4

For more information, please contact Black & Decker at the following address or refer to the back of the manual.

The undersigned is responsible for compilation of the technical file and makes this declaration on behalf of Black & Decker.

Kevin Hewitt

Vice-President Global Engineering  
Black & Decker Europe, 210 Bath Road, Slough,  
Berkshire, SL1 3YD  
United Kingdom  
15/03/2010

## Guarantee

Black & Decker is confident of the quality of its products and offers an outstanding guarantee. This guarantee statement is in addition to and in no way prejudices your statutory rights. The guarantee is valid within the territories of the Member States of the European Union and the European Free Trade Area.

If a Black & Decker product becomes defective due to faulty materials, workmanship or lack of conformity, within 24 months from the date of purchase, Black & Decker guarantees to replace defective parts, repair products subjected to fair wear and tear or replace such products to ensure minimum inconvenience to the customer unless:

- ◆ The product has been used for trade, professional or hire purposes;
- ◆ The product has been subjected to misuse or neglect;
- ◆ The product has sustained damage through foreign objects, substances or accidents;
- ◆ Repairs have been attempted by persons other than authorised repair agents or Black & Decker service staff.

To claim on the guarantee, you will need to submit proof of purchase to the seller or an authorised repair agent. You can check the location of your nearest authorised repair agent by contacting your local Black & Decker office at the address indicated in this manual. Alternatively, a list of authorised Black & Decker repair agents and full details of our after-sales service and contacts are available on the Internet at: [www.2helpU.com](http://www.2helpU.com)

Please visit our website [www.blackanddecker.co.uk](http://www.blackanddecker.co.uk) to register your new Black & Decker product and to be kept up to date on new products and special offers. Further information on the Black & Decker brand and our range of products is available at [www.blackanddecker.co.uk](http://www.blackanddecker.co.uk)

## Bestimmungsgemäße Verwendung

Ihr Black & Decker Powerfile™ wurde zum Schleifen von Holz, Metall, Kunststoff und lackierten Oberflächen entwickelt. Dieses Gerät ist nicht für den gewerblichen Einsatz vorgesehen.

## Sicherheitshinweise

### Allgemeine Warnhinweise zur Sicherheit von Elektrowerkzeugen



**Achtung!** Lesen Sie sämtliche Sicherheitswarnhinweise und sonstigen Anweisungen. Die Nichteinhaltung der nachstehend aufgeführten Warnhinweise und sonstigen Anweisungen kann einen elektrischen Schlag, Brand und/oder schwere Verletzungen verursachen.

### Bewahren Sie alle Warnhinweise und sonstigen Anweisungen zur künftigen Bezugnahme auf.

Der nachfolgend verwendete Begriff "Gerät" bezieht sich auf netzbetriebene Geräte (mit Netzkabel) und auf akkubetriebene Geräte (ohne Netzkabel).

#### 1. Sicherheit am Arbeitsplatz

- a. Halten Sie Ihren Arbeitsbereich sauber und gut ausgeleuchtet. Unordnung und dunkle Arbeitsbereiche fördern Unfälle geradezu heraus.
- b. Arbeiten Sie mit Geräten nicht in explosionsgefährdeter Umgebung, in der sich brennbare Flüssigkeiten, Gase oder Stäube befinden. Geräte erzeugen Funken, die den Staub oder die Dämpfe entzünden können.
- c. Halten Sie Kinder und andere Personen während der **Benutzung eines Geräts fern**. Bei Ablenkung können Sie die Kontrolle verlieren.

#### 2. Elektrische Sicherheit

- a. **Der Anschlussstecker des Geräts muß in die Steckdose passen.** Der Stecker darf in keiner Weise verändert werden. Verwenden Sie keine Adapterstecker gemeinsam mit schutzgeerdeten Geräten. Unveränderte Stecker und passende Steckdosen verringern das Risiko eines elektrischen Schlages.
- b. Vermeiden Sie Körperkontakt mit geerdeten **Oberflächen von Rohren, Heizungen, Herden und Kühlschränken.** Es besteht ein erhöhtes Risiko eines elektrischen Schlags, wenn Ihr Körper geerdet ist.
- c. Halten Sie Geräte von Regen und Nässe fern. Das Eindringen von Wasser in ein Gerät erhöht das Risiko eines elektrischen Schlages.
- d. **Mißbrauchen Sie nicht das Kabel. Verwenden Sie das Kabel niemals zum Tragen, Ziehen oder Trennen des Gerätes vom Netz. Halten Sie das Kabel fern von**

Hitze, Öl, scharfen Kanten oder sich bewegenden Teilen. Beschädigte oder verwickelte Kabel erhöhen das Risiko eines elektrischen Schlages.

- e. Wenn Sie mit einem Gerät im Freien arbeiten, verwenden Sie nur Verlängerungskabel, die auch für **den Außenbereich zugelassen sind.** Die Verwendung eines für den Außenbereich geeigneten Verlängerungskabels verringert das Risiko eines elektrischen Schlages.
- f. **Falls der Betrieb des Elektrowerkzeugs in einer feuchten Umgebung unvermeidbar ist, verwenden Sie einen mit einem Fehlerstromschutzschalter (FI-Schutzschalter) abgesicherten Stromkreis.** Durch die Verwendung eines FI-Schutzschalters wird das Risiko eines Stromschlags verringert.

#### 3. Sicherheit von Personen

- a. Seien Sie aufmerksam, achten Sie darauf, was Sie tun, und gehen Sie vernünftig mit einem Gerät um. **Benutzen Sie das Gerät nicht, wenn Sie müde sind oder unter dem Einfluß von Drogen, Alkohol oder Medikamenten stehen.** Ein Moment der Unachtsamkeit beim Gebrauch von Geräten kann zu ernsthaften Verletzungen führen.
- b. Tragen Sie persönliche Schutzausrüstung. Tragen Sie immer eine Schutzbrille. Das Tragen persönlicher Schutzausrüstung, wie Staubmaske, rutschfeste Sicherheitsschuhe, Schutzhelm oder Gehörschutz, je nach Art und Einsatz des Elektrowerkzeuges, verringert das Risiko von Verletzungen.
- c. **Vermeiden Sie eine unbeabsichtigte Inbetriebnahme.** Vergewissern Sie sich, dass der Schalter auf der **Ausstellung steht, bevor Sie den Stecker in die Steckdose stecken und/oder das Akkupaket im Werkzeug stecken, das Werkzeug aufnehmen oder tragen.** Wenn Sie beim Tragen des Elektrowerkzeugs den Finger am Schalter haben oder das Werkzeug eingeschaltet an die Stromversorgung anschließen, kann dies zu Unfällen führen.
- d. Entfernen Sie Einstell- oder Schraubenschlüssel, bevor Sie das Gerät einschalten. Ein Schlüssel, der sich in einem sich drehenden Teil befindet, kann zu Verletzungen führen.
- e. **Nicht zu weit nach vorne strecken!** Achten Sie auf einen sicheren Stand, um in jeder Arbeitsposition das Gleichgewicht zu halten. Dadurch können Sie das Gerät in unerwarteten Situationen besser unter Kontrolle halten.
- f. Tragen Sie geeignete Kleidung. Tragen Sie keine weite Kleidung oder Schmuck. Halten Sie Haare, Kleidung und Handschuhe fern von sich bewegenden Teilen. Lockere Kleidung, Schmuck oder lange Haare können von sich bewegenden Teilen erfaßt werden.
- g. Falls Staubabsaug- und -auffangvorrichtungen

vorhanden sind, vergewissern Sie sich, daß diese angeschlossen sind und richtig verwendet werden. Das Verwenden dieser Einrichtungen verringert Gefährdungen durch Staub.

#### 4. Gebrauch und Pflege von Geräten

- a. Überlasten Sie das Gerät nicht. Verwenden Sie für Ihre Arbeit das dafür bestimmte Gerät. Mit dem passenden Gerät arbeiten Sie besser und sicherer im angegebenen Leistungsbereich.
  - b. **Benutzen Sie kein Gerät, dessen Schalter defekt ist.** Ein Gerät, das sich nicht mehr ein- oder ausschalten läßt, ist gefährlich und muß repariert werden.
  - c. Trennen Sie den Stecker von der Stromquelle und/ oder das Akkupaket vom Elektrowerkzeug, bevor Einstellungen vorgenommen, Zubehör gewechselt oder Elektrowerkzeuge verstaut werden. Diese Vorsichtsmaßnahmen verhindern den unbeabsichtigten Start des Gerätes.
  - d. **Bewahren Sie unbenutzte Geräte außerhalb der Reichweite von Kindern auf.** Lassen Sie Geräte nicht von Personen benutzen, die damit nicht vertraut sind oder diese Anweisungen nicht gelesen haben. Geräte sind gefährlich, wenn Sie von unerfahrenen Personen benutzt werden.
  - e. Halten Sie Geräte in einem einwandfreien Zustand. Kontrollieren Sie, ob bewegliche Teile falsch ausgerichtet sind oder Klemmen und ob Teile **gebrochen oder so beschädigt sind, daß die Funktion des Geräts beeinträchtigt ist.** Lassen Sie beschädigte Geräte vor dem Gebrauch reparieren. Viele Unfälle haben ihre Ursache in schlecht gewarteten Geräten.
  - f. Halten Sie Schneidgeräte scharf und sauber. Sorgfältig gepflegte Schneidgeräte mit scharfen Schneidkanten verklemmen sich weniger und sind leichter zu führen.
  - g. Verwenden Sie das Elektrowerkzeug, Zubehör sowie **Werkzeug-Bits, usw. entsprechend diesen Anweisungen.** Berücksichtigen Sie dabei die Arbeitsbedingungen sowie die durchzuführende Arbeit. Der Gebrauch von Geräten für andere als die vorgesehenen Anwendungen kann zu gefährlichen Situationen führen.
5. Service
    - a. **Lassen Sie Ihr Gerät nur von qualifiziertem Fachpersonal und nur mit Original-Ersatzteilen reparieren.** Damit wird gewährleistet, daß die Sicherheit des Geräts erhalten bleibt.

#### Zusätzliche Warnhinweise zur Sicherheit von Elektrowerkzeugen



Achtung! Zusätzliche Sicherheitshinweise für Schleifgeräte

- ◆ Halten Sie das Elektrowerkzeug an den isolierten **Griffflächen, weil das Band die eigene Anschlußleitung berühren könnte.** Eine spannungsführende Leitung einschneiden, setzt die freiliegenden Metallteile des Geräts unter Spannung und der Benutzer erleidet einen Stromschlag.
- ◆ Verwenden Sie Zwingen oder ähnliche Mittel, um das Werkstück auf einer stabilen Plattform zu halten und zu sichern. Falls das Werkstück mit der Hand oder gegen den Körper gehalten wird, bleibt es instabil und Sie können die Kontrolle verlieren.
- ◆ **Achtung!** Ein Kontakt mit Stäuben oder das Einatmen von Stäuben, die durch den Schleifvorgang entstehen, kann die Gesundheit des Bedieners und eventueller anderer Personen in der Nähe des Geräts gefährden. Tragen Sie zum Schutz vor Stäuben und Dämpfen eine Staubmaske, und stellen Sie sicher, daß auch andere Personen geschützt sind, die den Arbeitsplatz betreten oder sich darin aufhalten.
- ◆ Entfernen Sie nach dem Schleifen sorgfältig alle Staubreste.
- ◆ Treffen Sie beim Schleifen von möglicherweise bleihaltiger Farbe oder von bestimmten Holz- und Metallarten, die giftigen Staub bilden können, besondere Maßnahmen:
  - Verhindern Sie, daß Kinder oder Schwangere den Arbeitsplatz betreten.
  - Essen, trinken und rauchen Sie nicht am Arbeitsplatz.
  - Entsorgen Sie Staubteilchen und andere Schleifabfälle auf sachgerechte Weise.
- ◆ Dieses Gerät darf nicht von Personen (einschließlich Kindern) mit eingeschränkten körperlichen, sensorischen oder geistigen Fähigkeiten verwendet werden. Auch darf es nicht von Personen verwendet werden, die keine Erfahrung mit dem Gerät oder Kenntnis darüber haben, es sei denn, sie stehen beim Gebrauch unter der Aufsicht und Anleitung einer für deren Sicherheit verantwortlichen Person. Kinder müssen beaufsichtigt werden, um sicherzustellen, daß sie nicht mit dem Gerät spielen.
- ◆ Die bestimmungsgemäße Verwendung ist in dieser Bedienungsanleitung beschrieben. Das Verwenden anderer als der in dieser Anleitung empfohlenen Anbaugeräte und Zubehörteile oder die Ausführung von Arbeiten mit diesem Gerät, die nicht der bestimmungsgemäßen Verwendung entsprechen, kann zu Unfallgefahren und/oder Sachschäden führen.

#### Sicherheit anderer Personen

- ◆ Dieses Gerät darf nicht von Personen (einschließlich Kindern) mit eingeschränkten körperlichen, sensorischen oder geistigen Fähigkeiten verwendet werden. Auch darf es nicht von Personen verwendet werden, die keine Erfahrung mit dem Gerät oder Kenntnis darüber haben, es sei denn, sie stehen beim Gebrauch unter der Aufsicht

und Anleitung einer für deren Sicherheit verantwortlichen Person.

- ◆ Kinder müssen beaufsichtigt werden, um sicherzustellen, daß sie nicht mit dem Gerät spielen.

## Restrisiken.

Für den Gebrauch dieses Geräts verbleiben zusätzliche Restrisiken, die möglicherweise nicht in den Sicherheitswarnungen genannt werden. Diese Risiken bestehen beispielsweise bei Missbrauch oder längerem Gebrauch.

Auch bei der Einhaltung der entsprechenden Sicherheitsvorschriften und der Verwendung aller Sicherheitsgeräte bestehen weiterhin bestimmte Restrisiken. Diese werden im Folgenden aufgeführt:

- ◆ **Verletzungen, die durch das Berühren von sich drehenden/bewegenden Teilen verursacht werden.**
- ◆ Verletzungen, die durch das Austauschen von Teilen, Messern oder Zubehör verursacht werden.
- ◆ Verletzungen, die durch längeren Gebrauch eines Geräts verursacht werden. Legen Sie bei längerem Gebrauch regelmäßige Pausen ein.
- ◆ **Beeinträchtigung des Gehörs.**
- ◆ **Gesundheitsrisiken durch das Einatmen von Staub beim Gebrauch des Geräts (Beispielsweise bei Holzarbeiten, insbesondere Eiche, Buche und Pressspan).**

## Vibrationen

Die angegebenen Vibrationswerte in den Technischen Daten und der Konformitätserklärung wurden gemäß einer standardisierten und durch EN 60745 festgelegten Prüfmethode gemessen und können herangezogen werden, um ein Werkzeug mit einem anderen zu vergleichen. Der angegebene Vibrationswert kann auch für eine vorläufige Einstufung der Freisetzung herangezogen werden.

**Achtung!** Der Vibrationswert beim eigentlichen Gebrauch des Elektrowerkzeugs kann vom angegebenen Wert abweichen. Dies hängt davon ab, auf welche Weise das Werkzeug verwendet wird. Der Vibrationswert kann über den angegebenen Wert hinaus ansteigen.

Bei der Einstufung der Vibrationen zur Festlegung der von 2002/44/EG geforderten Sicherheitsmaßnahmen zum Schutz von Personen, die beruflich regelmäßig mit Elektrowerkzeugen arbeiten, muß eine Vibrationseinstufung die tatsächlichen Gebrauchsbedingungen und die Art und Weise berücksichtigen, wie das Werkzeug verwendet wird. Auch müssen alle Aspekte des Arbeitszyklus berücksichtigt werden, wie beispielsweise die Zeiten, in denen das Werkzeug aus- und eingeschaltet ist und im Leerlauf läuft.

## Schilder auf dem Gerät

Es befinden sich folgende Bildzeichen auf dem Gerät:



**Achtung!** Um die Verletzungsgefahr zu verringern, muß der Benutzer die Bedienungsanleitung lesen.



Bringen Sie den Staubsack oder die Staubkassette an, bevor Sie das Werkzeug auf Werkstücken aus Holz verwenden.



Entfernen Sie den Staubsack oder die Kassette und bringen Sie den Abweiser an, bevor Sie das Werkzeug auf Werkstücken mit Metall verwenden.

## Elektrische Sicherheit



Dieses Gerät ist schutzisoliert, daher ist keine Erdleitung erforderlich. Überprüfen Sie immer, ob die Netzspannung der auf dem Typenschild des Elektrowerkzeuges angegebenen Spannung entspricht.

- ◆ Falls das Netzkabel beschädigt ist, so ist es vom Hersteller oder einem autorisierten Black & Decker Service Center auszutauschen, um Gefahren vorzubeugen.

## Merkmale

Ihr Werkzeug weist einige oder alle der folgenden Merkmale auf:

1. Ein-/Aus-Schalter
2. Drehzahl-Vorwahlknopf
3. Ausschaltsperrle
4. Zweithandgriff
5. Bandsannhebel
6. Bandspurknopf
7. Gerader Arm

## Abb. A

8. Schmalere Arm
9. Abgewinkelter Arm

## Abb. D

10. Staubschleife
11. Abweiser

## Montage

**Achtung!** Vergewissern Sie sich vor der Montage, daß das Gerät ausgeschaltet ist und daß der Netzstecker gezogen wurde.

## Anbringen und Entfernen der Schleifarme (Abb. A & B)

Im Lieferumfang des Werkzeugs sind folgende Schleifarme enthalten:

- ◆ Gerader Arm (7), Schleifbreite 13 mm
- ◆ Schmalere Arm (8), Schleifbreite 6 mm, für komplizierte Arbeiten
- ◆ Abgewinkelter Arm (9) für Fräs- und Schleifarbeiten in der Werkstückmitte und an schwer zugänglichen Bereichen

Vor der ersten Verwendung müssen Sie den Schleifarm am Werkzeug anbringen.

#### Anbringen

- ◆ Vergewissern Sie sich, daß sich der Bandspannhebel (5) in der angegebenen Stellung befindet.
- ◆ Lösen und entfernen Sie den Bandspurknopf (6).
- ◆ Entfernen Sie das Band, das die Feder (12) sichert (falls vorhanden).
- ◆ Vergewissern Sie sich, daß sich die Feder (12) in ihrer Befestigungsöffnung befindet.
- ◆ Bringen Sie den Arm in die abgebildete Stellung.
- ◆ Bringen Sie den Bandspurknopf (6) an und ziehen Sie ihn fest, bis der Arm (7) mit dem Werkzeug ausgerichtet ist.

#### Entfernen

- ◆ Entfernen Sie das Schleifband (13) (falls vorhanden) wie unten beschrieben.
- ◆ Lösen und entfernen Sie den Bandspurknopf (6).
- ◆ Entfernen Sie den Arm.

**Achtung!** Achten Sie darauf, daß Sie die Feder (12) nicht verlieren.

#### Anbringen und Entfernen der Schleifbänder (Abb. B)

**Achtung!** Die Feder muß angebracht werden. Achten Sie darauf, daß Sie die Feder (12) nicht verlieren.

#### Anbringen

- ◆ Bewegen Sie den Bandspannhebel (5) in die vordere Stellung (A).
- ◆ Vergewissern Sie sich, daß die Pfeile auf der Innenseite des Schleifbandes (13) in die gleiche Richtung wie die Pfeile (14) auf dem Gehäuse zeigen.
- ◆ Setzen Sie das Schleifband (13) über die vordere Laufrolle (15) und die hintere Laufrolle (16), und führen Sie das Band durch den Schlitz im Gehäuse.
- ◆ Bewegen Sie den Bandspannhebel (5) in die hintere Stellung (B).
- ◆ Stellen Sie die Bandspur wie unten beschrieben ein.

#### Entfernen

- ◆ Bewegen Sie den Bandspannhebel (5) in die vordere Stellung (A).
- ◆ Schieben Sie das Schleifband (13) von den Laufrollen herunter.

#### Einstellung der Schleifbandspur (Abb. C)

- ◆ Schalten Sie das Werkzeug ein.
- ◆ Drehen Sie den Bandspurknopf (6) wie erforderlich, bis das Schleifband (13) gerade den Arm entlang läuft.

#### Anbringen und Entfernen der Staubkassette (Abb. D & F)

**Achtung!** Entfernen Sie stets die Staubkassette und bringen Sie den Abweiser an, wenn Sie das Werkzeug auf Werkstücken aus Metall verwenden.

- ◆ Bringen Sie die Staubkassette (10) über dem Staubabsaugauslaß an.
- ◆ Schieben Sie das Teil auf das Werkzeug und vergewissern Sie sich, dass es sicher sitzt.
- ◆ Um die Staubkassette zu entfernen, ziehen Sie sie nach hinten und vom Auslaß herunter.

#### Anbringen und Entfernen des Abweisers (Abb. D & E)

**Achtung!** Beim Schleifen von Werkstücken aus Metall muss der Abweiser verwendet werden.

- ◆ Setzen Sie den Abweiser (11) über den Staubabsaugauslaß.
- ◆ Schieben Sie den Abweiser auf das Werkzeug und vergewissern Sie sich, dass er sicher sitzt.
- ◆ Um den Abweiser zu entfernen, ziehen Sie ihn nach hinten und vom Auslaß herunter.

#### Gebrauch

**Achtung!** Beschleunigen Sie den Arbeitsvorgang nicht mit Gewalt. Vermeiden Sie eine Überlastung des Gerätes.

#### Geschwindigkeitsvorwahl (Abb. G)

Die Geschwindigkeitsvorwahl erlaubt eine Anpassung der Motordrehzahl an das zu bearbeitende Material.

- ◆ Stellen Sie den Regler (2) auf den gewünschten Wert ein. Verwenden Sie für Holz eine hohe Geschwindigkeit, für Furnierholz und Kunststoffe eine mittlere Geschwindigkeit, und für Nichteisenmetalle sowie zum Entfernen von Farbe eine niedrige Geschwindigkeit.

#### Ein- und Ausschalten (Abb. G)

- ◆ Um das Werkzeug einzuschalten, drücken Sie auf den Ein-/Ausschalter (1).
- ◆ Drücken Sie für Dauerbetrieb auf die Ausschaltsperr (2). Sie können nun den Ein-/Ausschalter (1) loslassen.
- ◆ Um das Werkzeug auszuschalten, lassen Sie den Ein-/Ausschalter (1) los.
- ◆ Zum Ausschalten im Dauerbetrieb drücken Sie erneut auf den Ein-/Ausschalter (1) und lassen Sie ihn wieder los.



## Leeren der Staubkassette (Abb. F)

Die Staubkassette (10) sollte während des Betriebs alle 10 Minuten entleert werden.

- ◆ Ziehen Sie die Staubkassette (10) nach hinten und vom Werkzeug ab.
- ◆ Entfernen Sie die Abdeckung (17) durch Drehen gegen den Uhrzeigersinn.
- ◆ Halten Sie die Staubkassette (10) mit dem Filter (18) nach unten weisend, und schütteln Sie die Kassette (10), um sie zu entleeren.
- ◆ Schütteln Sie die Abdeckung (17), um sie zu entleeren.
- ◆ Bringen Sie die Abdeckung (17) wieder auf der Staubkassette (10) an, indem Sie sie im Uhrzeigersinn drehen, bis sie in ihrer Lage einrastet.
- ◆ Bringen Sie die Staubkassette (10) wieder am Werkzeug an.

## Reinigung des Staubkassettenfilters (Abb. F)

**Achtung!** Den Filter nicht abbürsten, nicht mit Druckluft reinigen und keine scharfen Gegenstände verwenden. Der Filter nicht waschen.

- ◆ Der Staubkassettenfilter (18) ist wiederverwertbar und sollte regelmäßig gereinigt werden.
- ◆ Entleeren Sie die Staubkassette (10) wie oben beschrieben.
- ◆ Ziehen Sie den Filter (18) von der Staubkassette (14) herunter.
- ◆ Schütteln Sie den Staub ab, indem Sie den Filter (18) in einem Abfalleimer ausklopfen.
- ◆ Bringen Sie den Filter (18) wieder an.
- ◆ Bringen Sie die Abdeckung (17) an.
- ◆ Schieben Sie die Staubkassette (10) auf das Werkzeug und vergewissern Sie sich, dass sie sicher sitzt.

## Spezialanwendungen (Abb. H, I & J)

### Abgewinkelter Arm (Abb. H)

- ◆ Verwenden Sie für Fräs- oder Schleifarbeiten in der Werkstückmitte sowie in schwer zugänglichen Bereichen Abschnitt A.
- ◆ Verwenden Sie für geschwungene Flächen Abschnitt B.

### Gerader Arm (Abb. I)

- ◆ Verwenden Sie für allgemeine Aufgaben, für Fräsarbeiten und für das Herstellen von Verbindungen den normalen oder schmalen Arm.

### Schmalen Arm (Abb. J)

- ◆ Verwenden Sie für feinere Detailarbeiten sowie zum Schneiden und für Schnitzereien den schmalen Arm.

## Hinweise für optimale Arbeitsergebnisse

- ◆ Halten Sie das Werkzeug immer mit beiden Händen.
- ◆ Üben Sie keinen zu großen Druck auf das Werkzeug aus.
- ◆ Überprüfen Sie regelmäßig den Zustand des Schleifbandes (12). Tauschen Sie es bei Bedarf aus.
- ◆ Schleifen Sie immer in Richtung der Holzmaserung.
- ◆ Zum Schleifen frischer Farbschichten vor dem Auftragen weiterer Schichten verwenden Sie sehr feines Schleifpapier.
- ◆ Auf sehr unebenen Oberflächen sowie zum Entfernen alter Farbschichten verwenden Sie zunächst grobes Schleifpapier. Auf anderen Oberflächen verwenden Sie zunächst mittelgrobes Schleifpapier. In beiden Fällen wechseln Sie nach einiger Zeit auf feines Schleifpapier, damit Sie eine sehr glatte Oberfläche erhalten.
- ◆ Wenden Sie sich für weitere Informationen über Zubehör an Ihren Händler.

## Wartung

Ihr Gerät wurde für eine lange Lebensdauer und einen möglichst geringen Wartungsaufwand entwickelt.

Ein dauerhafter, einwandfreier Betrieb setzt eine regelmäßige Pflege und Reinigung voraus.

### **Achtung!** Bevor Sie irgendwelche Wartungsarbeiten

vornehmen, schalten Sie das Gerät aus, und ziehen Sie den Netzstecker.

- ◆ Reinigen Sie regelmäßig die Lüftungsschlitze im Gerät mit Hilfe einer weichen Bürste oder eines trockenen Tuches.
- ◆ Reinigen Sie regelmäßig das Motorgehäuse mit Hilfe eines feuchten Tuches. Verwenden Sie keine scheuernden Reinigungsmittel oder Reinigungsmittel auf Lösungsmittelbasis.

## Umweltschutz



Getrennte Entsorgung. Dieses Produkt darf nicht über den normalen Hausmüll entsorgt werden.

Sollte Ihr Black & Decker Produkt eines Tages erneuert werden müssen, oder falls Sie es nicht weiter verwenden wollen, so darf es nicht über den Hausmüll entsorgt werden. Stellen Sie dieses Produkt zur getrennten Entsorgung bereit.



Durch die getrennte Entsorgung gebrauchter Produkte und Verpackungen können die Materialien recycelt und wiederverwertet werden. Die Wiederverwertung recycelter Materialien schont die Umwelt und verringert die Nachfrage nach Rohstoffen.

Die regionalen Bestimmungen schreiben unter Umständen die getrennte Entsorgung elektrischer Produkte aus dem Haushalt an Sammelstellen oder seitens des Händlers vor, bei dem Sie das neue Produkt erworben haben.



Black & Decker nimmt Ihre ausgedienten Black & Decker Geräte gern zurück und sorgt für eine umweltfreundliche Entsorgung und Wiederverwertung. Um diesen Dienst zu nutzen, schicken Sie bitte Ihr Produkt zu einer Vertragswerkstatt. Hier wird es dann auf unsere Kosten gesammelt.

Die Adresse der zuständigen Black & Decker Vertretung steht in diesem Handbuch, darüber läßt sich die nächstgelegene Vertragswerkstatt ermitteln. Außerdem ist eine Liste der Vertragswerkstätten und aller Kundendienststellen von Black & Decker sowie der zuständigen Ansprechpartner im Internet zu finden unter: [www.2helpU.com](http://www.2helpU.com)

#### Technische Daten

	KA902E Typ. 1	
Spannung	V <sub>AC</sub>	230
Leistungsaufnahme	W	400
Leerlaufdrehzahl	min <sup>-1</sup>	900-1.600
Gewicht	kg	1,6

Höhe des Schalldrucks gemäß EN 60745:

Schalldruck (L<sub>PA</sub>) 84 dB(A), Unsicherheitsfaktor (K) 3 dB(A)  
Schallleistung (L<sub>WA</sub>) 95 dB(A), Unsicherheitsfaktor (K) 3 dB(A)

Gesamtvibrationswerte (Triax-Vektorsumme) gemäß  
EN 60745:

Vibrationswert (a<sub>n</sub>) 1,7 m/s<sup>2</sup>, Unsicherheitsfaktor (K) 1,5 m/s<sup>2</sup>

### EG-Konformitätserklärung

MASCHINENRICHTLINIE



KA902E

Black & Decker erklärt, daß diese unter „Technische Daten“ beschriebenen Produkte folgende Richtlinien erfüllen:  
2006/42/EG, EN 60745-1, EN 60745-2-4

Wenden Sie sich für weitere Informationen bitte an folgende Black & Decker Anschrift bzw. an die hinten im Handbuch angegebene Anschrift.

Der Unterzeichnete ist für die Zusammenstellung der technischen Datei verantwortlich und gibt diese Erklärung im Namen von Black & Decker ab.

Kevin Hewitt  
Vice-President Global Engineering  
Black & Decker Europe, 210 Bath Road, Slough,  
Berkshire, SL1 3YD  
Vereinigtes Königreich  
15/03/2010

## Garantie

Black & Decker vertraut auf die Qualität der eigenen Geräte und bietet dem Käufer eine außergewöhnliche Garantie. Diese Garantiezusage versteht sich unbeschadet der gesetzlichen Gewährleistungsansprüche und schränkt diese keinesfalls ein. Sie gilt in sämtlichen Mitgliedsstaaten der Europäischen Union und der Europäischen Freihandelszone EFTA.

Tritt innerhalb von 24 Monaten ab Kaufdatum an einem Gerät von Black & Decker ein auf Material- oder Verarbeitungsfehler zurückzuführender Mangel auf, garantiert Black & Decker den Austausch defekter Teile, die Reparatur von Geräten mit üblichem Verschleiß bzw. den Austausch eines mangelhaften Geräts, ohne den Kunden dabei mehr als unbedingt nötig in Anspruch zu nehmen, allerdings vorbehaltlich folgender Ausnahmen:

- ◆ wenn das Gerät gewerblich, beruflich oder im Verleihgeschäft benutzt wurde;
- ◆ wenn das Gerät mißbräuchlich verwendet oder mit mangelnder Sorgfalt behandelt wurde;
- ◆ wenn das Gerät durch irgendwelche Fremdeinwirkung beschädigt wurde;
- ◆ wenn ein unbefugter Reparaturversuch durch anderes Personal als das einer Vertragswerkstatt oder des Black & Decker-Kundendienstes unternommen wurde.

Zur Inanspruchnahme dieser Garantie ist dem Verkäufer bzw. der Vertragswerkstatt ein Kaufnachweis vorzulegen. Der Kaufnachweis muß Kaufdatum und Gerätetyp bescheinigen. Die Adresse des zuständigen Büros von Black & Decker steht in dieser Anleitung, darüber läßt sich die nächstgelegene Vertragswerkstatt ermitteln. Außerdem ist eine Liste der Vertragswerkstätten und aller Kundendienststellen von Black & Decker sowie der zuständigen Ansprechpartner im Internet zu finden unter: [www.2helpU.com](http://www.2helpU.com)

Bitte besuchen Sie unsere Webseite [www.blackanddecker.de](http://www.blackanddecker.de), um Ihr neues Black & Decker Produkt zu registrieren und über neue Produkte und Sonderangebote aktuell informiert zu werden. Weitere Informationen über die Marke Black & Decker und unsere Produkte finden Sie unter [www.blackanddecker.de](http://www.blackanddecker.de)

## Utilisation prévue

Votre ponceuse Black & Decker Powerfile™ a été spécialement conçue pour poncer le bois, le métal, le plastique et les surfaces peintes. Cet outil a été conçu pour une utilisation exclusivement domestique.

## Instructions de sécurité

### Consignes de sécurité générales pour les outils électriques



**Attention !** Prenez connaissance de tous les avertissements de sécurité et de toutes les instructions. Le non-respect des avertissements et des instructions indiqués ci-dessous peut entraîner une électrocution, un incendie ou de graves blessures.

Conservez tous les avertissements et instructions pour référence future. La notion d'« outil électroportatif » mentionnée par la suite se rapporte à des outils électriques raccordés au secteur (avec câble de raccordement) ou fonctionnant sur piles (sans fil).

#### 1. Sécurité de la zone de travail

- Maintenez la zone de travail propre et bien éclairée. Un lieu de travail en désordre ou mal éclairé augmente le risque d'accidents.
- N'utilisez pas les outils électroportatifs dans un environnement présentant des risques d'explosion ni en présence de liquides, gaz ou poussières inflammables. Les outils électroportatifs génèrent des étincelles risquant d'enflammer les poussières ou les vapeurs.
- Tenez les enfants et autres personnes éloignés durant l'utilisation de l'outil électroportatif. En cas d'inattention, vous risquez de perdre le contrôle sur l'outil.

#### 2. Sécurité électrique

- La fiche de secteur de l'outil électroportatif doit convenir à la prise de courant. Ne modifiez en aucun cas la fiche. N'utilisez pas de fiches d'adaptateur avec des outils ayant une prise de terre. Les fiches non modifiées et les prises de courant appropriées réduisent le risque d'électrocution.
- Évitez le contact physique avec des surfaces mises à la terre telles que tuyaux, radiateurs, fours et réfrigérateurs. Il y a un risque élevé d'électrocution si votre corps est relié à la terre.
- N'exposez pas l'outil électroportatif à la pluie ni à l'humidité. La pénétration d'eau dans un outil électroportatif augmente le risque d'électrocution.

- Préservez le câble d'alimentation. N'utilisez pas le câble à d'autres fins que celles prévues, notamment pour porter l'outil, l'accrocher voire le débrancher de la prise de courant. Maintenez le câble éloigné des sources de chaleur, des parties grasses, des bords tranchants ou des parties de l'outil en rotation. Un câble endommagé ou enchevêtré augmente le risque d'électrocution.
- Si vous utilisez l'outil électroportatif à l'extérieur, utilisez une rallonge homologuée pour utilisation à l'air libre. L'utilisation d'une rallonge électrique homologuée pour les applications extérieures réduit le risque d'électrocution.
- Si l'usage d'un outil dans un emplacement humide est inévitable, utilisez une alimentation protégée par un dispositif à courant différentiel résiduel (RCD). L'usage d'un RCD réduit le risque de choc électrique.

#### 3. Sécurité personnelle

- Restez vigilant, surveillez ce que vous faites. Faites preuve de bon sens quand vous utilisez l'outil électroportatif. N'utilisez pas l'outil lorsque vous êtes fatigué ou après avoir consommé de l'alcool, des drogues voire des médicaments. Un moment d'inattention lors de l'utilisation de l'outil peut entraîner de graves blessures.
- Utilisez un équipement de protection personnelle. Portez toujours une protection pour les yeux. Les équipements de protection personnelle tels que les masques anti-poussières, chaussures de sécurité antidérapantes, casques ou protections acoustiques utilisés dans des conditions appropriées réduisent les blessures.
- Évitez toute mise en marche involontaire. Vérifiez que l'interrupteur est en position arrêt avant de brancher l'outil au secteur ou au bloc de batteries, de le prendre ou de le porter. Transporter les outils en avec le doigt sur l'interrupteur ou les brancher avec l'interrupteur en position de marche est une source d'accidents.
- Enlevez tout outil ou clé de réglage avant de mettre l'outil en marche. Une clé ou un outil se trouvant sur une partie en rotation peut causer des blessures.
- Adoptez une position confortable. Adoptez une position stable et gardez votre équilibre à tout moment. Vous contrôlerez mieux l'outil dans des situations inattendues.
- Portez des vêtements appropriés. Ne portez pas de vêtements flottants ou de bijoux. N'approchez pas les cheveux, vêtements ou gants des parties des pièces mobiles. Les vêtements amples, les bijoux ou les cheveux longs peuvent être attrapés dans les pièces en mouvement.
- Si des dispositifs servant à aspirer ou à recueillir les poussières doivent être utilisés, vérifiez qu'ils sont

correctement raccordés et utilisés. Le fait d'aspirer la poussière permet de réduire les risques inhérents à la poussière.

4. **Utilisation des outils électroportatifs et précautions**
  - a. **Ne surchargez pas l'outil. Utilisez l'outil électroportatif approprié pour le travail à effectuer.** Avec l'outil électroportatif approprié, vous travaillerez mieux et avec plus de sécurité à la vitesse pour laquelle il a été conçu.
  - b. **N'utilisez pas un outil électroportatif dont l'interrupteur est défectueux.** Un outil électroportatif qui ne peut plus être mis en ou hors fonctionnement est dangereux et doit être réparé.
  - c. **Déconnectez la prise de la source d'alimentation ou le pack-batterie de l'outil électrique avant tout réglage, changement d'accessoire voire rangement des outils électriques.** Cette mesure de précaution empêche une mise en marche par mégarde.
  - d. **Rangez les outils électroportatifs hors de portée des enfants. Ne laissez pas les personnes n'étant pas familiarisées avec l'outil ou n'ayant pas lu ces instructions l'utiliser.** Les outils électroportatifs sont dangereux lorsqu'ils sont utilisés par des personnes non initiées.
  - e. **Prenez soin des outils électroportatifs. Vérifiez que les parties en mouvement fonctionnent correctement et qu'elles ne sont pas coincées ; vérifiez qu'il n'y a pas de pièces cassées ou endommagées susceptibles de nuire au bon fonctionnement de l'outil. S'il est endommagé, faites réparer l'outil avant de l'utiliser.** De nombreux accidents sont dus à des outils électroportatifs mal entretenus.
  - f. **Maintenez les outils de coupe aiguisés et propres.** Des outils soigneusement entretenus avec des bords tranchants bien aiguisés se coincent moins souvent et peuvent être guidés plus facilement.
  - g. **Utilisez l'outil électrique, les accessoires et forets, etc. conformément à ces instructions, en tenant compte des conditions de travail et des tâches à effectuer.** L'utilisation des outils électroportatifs à d'autres fins que celles prévues peut entraîner des situations dangereuses.

## 5. Réparations

- a. **Faites réparer votre outil électroportatif uniquement par du personnel qualifié et seulement avec des pièces de rechange d'origine.** Cela garantira le maintien de la sécurité de votre outil.

## Avertissements de sécurité supplémentaires pour les outils électriques



**Attention !** Avertissements de sécurité additionnels pour ponceuses

- ◆ **Tenez l'outil uniquement par les surfaces isolées des poignées, parce que la courroie peut mettre en contact avec son propre cordon électrique.** Couper un câble sous tension met les parties métalliques de l'outil sous tension et peut provoquer une électrocution de l'utilisateur.
- ◆ **Utilisez des fixations ou tout autre moyen pratique pour fixer et soutenir la pièce à ouvrir sur une plateforme stable.** Si vous tenez la pièce à la main ou contre votre corps, elle est instable et vous pouvez en perdre le contrôle.
- ◆ **Attention !** L'inhalation ou le contact avec des poussières de sciure peuvent mettre en péril la santé de l'utilisateur et des personnes à proximité. Portez un masque contre la poussière spécialement conçu pour vous protéger des sciures et des fumées toxiques. Veillez également à ce que les personnes se trouvant à l'intérieur de la zone de travail ou y pénétrant soient également protégées.
- ◆ Enlevez soigneusement toute poussière après le ponçage.
- ◆ Faites spécialement attention lorsque vous ponchez de la peinture pouvant être à base de plomb ou lorsque vous ponchez des bois et des métaux pouvant produire de la poussière toxique.
  - Ne laissez pas les enfants ou les femmes enceintes entrer dans la zone de travail.
  - Ne mangez pas, ne buvez pas et ne fumez pas dans la zone de travail.
  - Nettoyez l'outil de toutes particules de poussière et autre débris.
- ◆ Cet outil n'est pas destiné à être utilisé par des personnes (notamment des enfants) présentant des capacités physiques, sensorielles ou mentales limitées voire dépourvues de connaissance et d'expérience, sauf si elles sont supervisées ou ont reçu des instructions pour l'usage de l'appareil par une personne responsable de leur sécurité. Les enfants ne doivent pas jouer avec l'appareil.
- ◆ Le domaine d'utilisation de l'outil est décrit dans le présent manuel. L'utilisation d'accessoires ou la réalisation d'opérations avec cet outil autres que ceux recommandés dans le présent manuel peut entraîner un risque de blessure ou de dégâts.

## Sécurité des tiers

- ◆ Cet appareil n'est pas destiné à être utilisé par des personnes (notamment des enfants) présentant des capacités physiques, sensorielles ou mentales limitées voire dépourvues de connaissance et d'expérience, sauf si elles sont supervisées ou ont reçu des instructions pour l'usage de l'appareil par une personne responsable de leur sécurité.
- ◆ Les enfants ne doivent pas jouer avec l'appareil.

## Risques résiduels.

L'utilisation d'un outil non mentionné dans les consignes de sécurité données peut entraîner des risques résiduels supplémentaires. Ces risques peuvent survenir si l'outil est mal utilisé, si l'utilisation est prolongée, etc.

Malgré l'application des normes de sécurité correspondantes et la présence de dispositifs de sécurité, les risques résiduels suivants ne peuvent être évités. Ceci comprend :

- ◆ Les blessures dues au contact avec une pièce mobile/ en rotation.
- ◆ Les blessures causées en changeant des pièces, lames ou accessoires.
- ◆ Les blessures dues à l'utilisation prolongée d'un outil. Une utilisation prolongée de l'outil nécessite des pauses régulières.
- ◆ Déficience auditive.

◆ **Risques pour la santé causés par l'inhalation de poussières produites pendant l'utilisation de l'outil (exemple : travail avec du bois, surtout le chêne, le hêtre et les panneaux en MDF).Vibration**

Les valeurs des émissions de vibrations mentionnées dans les données techniques et la déclaration de conformité ont été mesurées conformément à la méthode de test normalisée indiquée par EN 60745 et permettent les comparaisons entre outils. Les valeurs des émissions de vibrations peuvent également servir à une évaluation préliminaire de l'exposition.

**Attention !** Les valeurs des émissions de vibrations en utilisant réellement l'outil peuvent différer des valeurs déclarées en fonction du mode d'usage de l'outil. Le niveau de vibration peut dépasser le niveau indiqué.

Pour évaluer l'exposition aux vibrations afin de déterminer les mesures de sécurité imposées par 2002/44/CE pour protéger les personnes utilisant régulièrement des outils électriques, une estimation de l'exposition aux vibrations devrait prendre en compte les conditions réelles et le mode d'utilisation de l'outil, notamment l'ensemble du cycle de fonctionnement ainsi l'arrêt de l'outil et son fonctionnement au ralenti, outre le démarrage.

## Étiquettes apposées sur l'outil

Les pictogrammes suivants sont présents sur l'outil :



**Attention !** Afin de réduire les risques de blessures, l'utilisateur doit lire le manuel d'instructions.

Avant d'utiliser votre outil sur le bois, installez un sac ou une cassette à poussières.

Avant d'utiliser votre outil sur des pièces à ouvrir contenant du métal, retirez le sac ou la cassette à poussières et installez le déflecteur.

## Sécurité électrique



L'outil est doublement isolé ; par conséquent, aucun câble de masse n'est nécessaire. Vérifiez si le voltage mentionné sur la plaque signalétique de la machine correspond bien à la tension de secteur présente sur lieu.

- ◆ Si le câble d'alimentation est endommagé, il doit être remplacé par le fabricant ou par un centre de réparation agréé Black & Decker afin d'éviter tout accident.

## Caractéristiques

Votre outil comprend toutes ou certaines des caractéristiques suivantes :

1. Interrupteur marche/arrêt
2. Variateur de vitesse
3. Bouton de verrouillage
4. Poignée secondaire
5. Levier de tension de la bande
6. Bouton de réglage de la bande
7. Bras droit

## Fig. A

8. Bras étroit
9. Bras coudé

## Fig. D

10. Cassette à poussières
11. Déflecteur

## Assemblage

**Attention !** Avant l'assemblage, assurez-vous que l'outil est éteint et débranché.

## Mise en place et retrait des bras de ponçage (fig. A & B)

L'outil est équipé des bras de ponçage suivants :

- ◆ Bras droit(7), largeur de ponçage 13 mm.
- ◆ Bras étroit (8), largeur de ponçage 6 mm, pour les travaux complexes.
- ◆ Bras coudé (9) pour le rainurage et le ponçage du centre des pièces et pour atteindre des zones difficiles d'accès.

Avant la première utilisation, vous devez installer le bras de ponçage sur l'outil.

## Mise en place

- ◆ Vérifiez que le levier de tension de la bande (5) est bien

dans la position indiquée.

- ◆ Desserrez et extrayez le bouton de réglage de la bande (6).
- ◆ Enlevez l'adhésif retenant le ressort (12) (le cas échéant).
- ◆ Vérifiez que le ressort (12) est bien dans son orifice de montage.
- ◆ Placez le bras comme indiqué.
- ◆ Installez le bouton de réglage de la bande (6) et serrez-le pour aligner le bras (7) avec l'outil.

#### Retrait

- ◆ Retirez la bande de ponçage (13 - le cas échéant) comme indiqué ci-dessous.
- ◆ Desserrez et extrayez le bouton de réglage de la bande (6).
- ◆ Retirez le bras.

**Attention !** Prenez soin de ne pas perdre le ressort (12).

#### Mise en place et retrait des bandes de ponçage (fig. B)

**Attention !** Le ressort doit être mis en place. Prenez soin de ne pas perdre le ressort (12).

#### Mise en place

- ◆ Placez le levier de tension de la bande (5) en position avant (A).
- ◆ Vérifiez que les flèches à l'intérieur de la bande de ponçage (13) sont bien dans le même sens que celles (14) du carter.
- ◆ Placez la bande de ponçage (12) par dessus la poulie avant (13) et la poulie arrière (16), en la faisant glisser par l'encoche du carter.
- ◆ Placez le levier de tension de la bande (5) en position arrière (B).
- ◆ Ajustez le réglage de la bande comme indiqué ci-dessous.

#### Retrait

- ◆ Placez le levier de tension de la bande (5) en position avant (A).
- ◆ Faites glisser la bande de ponçage (13) hors des poulies.

#### Ajustement du bouton de réglage de bande de ponçage (fig. C)

- ◆ Allumez l'outil.
- ◆ Faites tourner le bouton de réglage de la bande (6) comme souhaité pour que la bande de ponçage (13) suive le long du bras.

#### Installation et démontage de la cassette à poussières (fig. D & F)

**Attention !** Pour utiliser votre outil sur des pièces à ouvrir métalliques, retirez toujours la cassette à poussières et installez le déflecteur.

- ◆ Placez la cassette à poussières (10) sur l'orifice d'aspiration de la poussière.

- ◆ Glissez l'élément sur l'outil et assurez-vous qu'il est bien fixé.
- ◆ Pour retirer la cassette à poussières, tirez-la vers l'arrière en la sortant de l'orifice.

#### Mise en place et retrait du déflecteur (fig. D & E)

**Attention !** Le déflecteur doit être utilisé pour poncer les pièces à ouvrir métalliques.

- ◆ Montez le déflecteur (11) sur l'orifice d'aspiration de la poussière.
- ◆ Glissez le déflecteur sur l'outil et assurez-vous qu'il est bien fixé.
- ◆ Pour retirer le déflecteur, tirez-le vers l'arrière en le sortant de l'orifice.

#### Utilisation

**Attention !** Laissez l'outil fonctionner à sa propre vitesse. Ne le surchargez pas.

#### Variateur de vitesse (fig. G)

Le contrôle de la vitesse variable vous permet d'adapter la vitesse de l'outil au matériau de la pièce sur laquelle vous travaillez.

- ◆ Ajustez la vitesse souhaitée à l'aide du bouton de commande (2). Utilisez une vitesse rapide pour le bois, une vitesse moyenne pour le bois contre-plaqué et les matières synthétiques, et une vitesse faible pour les métaux non ferreux et pour enlever de la peinture.

#### Démarrage et arrêt (fig. G)

- ◆ Pour allumer l'outil, appuyez sur l'interrupteur marche/arrêt (1).
- ◆ Pour un fonctionnement en continu, appuyez sur le bouton de verrouillage (2) et relâchez l'interrupteur marche/arrêt (1).
- ◆ Pour éteindre l'outil, relâchez l'interrupteur marche/arrêt (1).
- ◆ Pour éteindre l'outil lorsqu'il est en fonctionnement continu, appuyez sur l'interrupteur marche/arrêt (1) une fois de plus et relâchez-le.

#### Comment vider la cassette à poussières (fig. F)

La cassette à poussières (10) doit être vidée toutes les 10 minutes d'utilisation.

- ◆ Tirez la cassette à poussières (10) vers l'arrière et extrayez-la de l'outil.
- ◆ Retirez le couvercle (17) en le faisant tourner dans le sens anti-horaire.
- ◆ Tenez la cassette à poussières (10) avec le filtre (18) dirigé vers le bas et secouez-la pour la vider.
- ◆ Secouez le couvercle (17) pour le vider.
- ◆ Remplacez le couvercle (17) sur la cassette à poussières (10), en le faisant tourner dans le sens horaire pour l'enclencher.
- ◆ Remplacez la cassette à poussières (10) sur l'outil.

## Comment nettoyer la cassette à poussières (fig. F)

**Attention !** Ne nettoyez pas le filtre avec une brosse, de l'air comprimé ou des objets coupants. Ne lavez pas le filtre.

- ◆ Le filtre de la cassette à poussières (17) est réutilisable et doit être nettoyé régulièrement.
- ◆ Videz la cassette à poussières (10) comme décrit ci-dessus.
- ◆ Tirez le filtre (18) hors de la cassette à poussières (14).
- ◆ Époussetez le filtre (18) en le tapotant contre la poubelle.
- ◆ Remplacez le filtre (18).
- ◆ Placez le couvercle (17).
- ◆ Glissez la cassette à poussières (10) sur l'outil et assurez-vous qu'elle est bien fixée.

## Applications spéciales (fig. H, I & J)

### Bras coudé (fig H)

- ◆ Utilisez la section A pour le rainurage ou le ponçage du centre des pièces et dans des zones difficilement accessibles.
- ◆ Utilisez la section B pour les surfaces courbes.

### Bras droit (fig. I)

- ◆ Utilisez le bras normal ou étroit pour des utilisations normales, pour faire des encoches ou des joints.

### Bras étroit (fig. J)

- ◆ Utilisez le bras étroit pour un travail plus précis, pour découper et pour creuser

## Conseils pour une utilisation optimale

- ◆ Tenez toujours l'outil avec les deux mains.
- ◆ N'exercez pas trop de pression sur l'outil.
- ◆ Vérifiez régulièrement l'état de la bande de ponçage (12). Remplacez-la lorsque cela est nécessaire.
- ◆ Poncez toujours avec le grain correspondant au bois.
- ◆ Lorsque vous poncez de nouvelles couches de peinture avant d'en appliquer une autre, utilisez un abrasif extra fin.
- ◆ Pour les surfaces irrégulières ou lorsque vous enlevez des couches de peinture, commencez par un abrasif à gros grains. Sur d'autres surfaces, commencez avec un abrasif moyen. Dans les deux cas, changez graduellement et passez à un abrasif fin pour une finition douce.
- ◆ Renseignez-vous chez votre revendeur pour plus d'informations sur les accessoires disponibles.

## Entretien

Votre outil a été conçu pour fonctionner pendant longtemps avec un minimum d'entretien. Un fonctionnement continu satisfaisant dépend d'un nettoyage régulier et d'un entretien approprié de l'outil.

**Attention !** Avant d'effectuer tout entretien, éteignez et débranchez l'outil.

- ◆ Nettoyez régulièrement les orifices de ventilation de votre outil à l'aide d'une brosse douce ou d'un chiffon sec.
- ◆ Nettoyez régulièrement le compartiment du moteur à l'aide d'un chiffon humide. N'utilisez pas de produit abrasif ou à base de solvant.

## Protection de l'environnement



Collecte séparée. Ce produit ne doit pas être jeté avec les déchets domestiques normaux.

Si vous décidez de remplacer ce produit Black & Decker, ou si vous n'en avez plus l'utilité, ne le jetez pas avec vos déchets domestiques. Rendez-le disponible pour une collecte séparée.



La collecte séparée des produits et emballages usés permet le recyclage des articles afin de les utiliser à nouveau. Le fait d'utiliser à nouveau des produits recyclés permet d'éviter la pollution environnementale et de réduire la demande de matières premières.

Les réglementations locales peuvent permettre la collecte séparée des produits électriques du foyer, dans des déchetteries municipales ou auprès du revendeur vous ayant vendu votre nouveau produit.

Black & Decker fournit un dispositif permettant de collecter et de recycler les produits Black & Decker lorsqu'ils ont atteint la fin de leur cycle de vie. Pour pouvoir profiter de ce service, veuillez retourner votre produit à un réparateur agréé qui se chargera de le collecter pour nous.

Pour connaître l'adresse du réparateur agréé le plus proche de chez vous, contactez le bureau Black & Decker à l'adresse indiquée dans ce manuel. Vous pourrez aussi trouver une liste des réparateurs agréés de Black & Decker et de plus amples détails sur notre service après-vente sur le site Internet à l'adresse suivante : [www.2helpU.com](http://www.2helpU.com)

## Caractéristiques techniques

KA902E Typ.1	
Tension	V <sub>AC</sub> 230
Puissance absorbée	W 400
Vitesse à vide	min <sup>-1</sup> 900-1.600
Poids	kg 1,6

Niveau de pression acoustique selon EN 60745 :

Pression acoustique ( $L_{pA}$ ) 84 dB(A), incertitude (K) 3 dB(A)

Puissance acoustique ( $L_{WA}$ ) 95 dB(A), incertitude (K) 3 dB(A)

Valeurs totales de vibration (somme vectorielle triax) selon  
EN 60745 :

Valeur d'émissions de vibrations ( $a_h$ ) 1,7 m/s<sup>2</sup>,  
incertitude (K) 1,5 m/s<sup>2</sup>

## Déclaration de conformité CE

DIRECTIVE MACHINES



KA902E

Black & Decker déclare que ces produits décrits sous les  
"caractéristiques techniques" sont conformes avec :

2006/42/CE, EN 60745-1, EN 60745-2-4

Pour en savoir plus, veuillez contacter Black & Decker  
à l'adresse suivante ou consultez le dos du manuel.

Le soussigné est responsable de la compilation du fichier  
technique et effectue cette déclaration au nom  
de Black & Decker.

Kevin Hewitt

Vice-président Ingénierie globale  
Black & Decker Europe, 210 Bath Road, Slough,  
Berkshire, SL1 3YD  
Royaume Uni  
15/03/2010

## Garantie

Black & Decker est confiant dans la qualité de ses produits et vous offre une garantie très étendue. Ce certificat de garantie est un document supplémentaire et ne peut en aucun cas se substituer à vos droits légaux. La garantie est valable sur tout le territoire des Etats Membres de l'Union Européenne et de la Zone de Libre Echange Européenne.

Si un produit Black & Decker s'avère défectueux en raison de matériaux en mauvaises conditions, d'une erreur humaine, ou d'un manque de conformité dans les 24 mois suivant la date d'achat, Black & Decker garantit le remplacement des pièces défectueuses, la réparation des produits usés ou cassés ou remplace ces produits à la convenance du client, sauf dans les circonstances suivantes :

- ◆ Le produit a été utilisé dans un but commercial, professionnel, ou a été loué.
- ◆ Le produit a été mal utilisé ou avec négligence.
- ◆ Le produit a subi des dommages à cause d'objets étrangers, de substances ou à cause d'accidents.
- ◆ Des réparations ont été tentées par des techniciens ne faisant pas partie du service technique de Black & Decker.

Pour avoir recours à la garantie, il est nécessaire de fournir une preuve d'achat au vendeur ou à un réparateur agréé.

Pour connaître l'adresse du réparateur agréé le plus proche de chez vous, contactez le bureau Black & Decker à l'adresse indiquée dans ce manuel. Vous pourrez aussi trouver une liste des réparateurs agréés de Black & Decker et de plus amples détails sur notre service après-vente sur le site Internet à l'adresse suivante : [www.2helpU.com](http://www.2helpU.com)

Visitez notre site Web [www.blackanddecker.fr](http://www.blackanddecker.fr) pour enregistrer votre nouveau produit Black & Decker et être informé des nouveaux produits et des offres spéciales. Pour plus d'informations concernant la marque Black & Decker et notre gamme de produits, consultez notre site [www.blackanddecker.fr](http://www.blackanddecker.fr)



## Uso previsto

La levigatrice Black & Decker Powerfile™ è stata progettata per levigare superfici in legno, metallo, plastica e verniciate. L'utensile è stato progettato per un uso individuale.

## Precauzioni di sicurezza

### Avvisi generali di sicurezza per l'elettrotensile



**Attenzione! Leggere tutti gli avvisi e le istruzioni di sicurezza.** La mancata osservanza dei seguenti avvisi e istruzioni potrebbe causare scosse elettriche, incendi e/o infortuni gravi.

Conservare tutte gli avvisi e le istruzioni per consultazioni future. Il termine "elettrotensile" che ricorre in tutte le seguenti avvertenze si riferisce ad utensili elettrici con o senza filo.

1. **Sicurezza dell'area di lavoro**
  - a. **Mantenere pulita e bene illuminata l'area di lavoro.** Il disordine o la scarsa illuminazione possono causare incidenti.
  - b. **Evitare d'impiegare gli elettrotensili in ambienti esposti al rischio di esplosione, ad esempio in presenza di liquidi, gas o polveri infiammabili.**  
Gli elettrotensili producono scintille che possono far infiammare la polvere o i fumi.
  - c. **Mantenere lontani bambini ed astanti mentre si usa l'elettrotensile.** Eventuali distrazioni possono comportare la perdita del controllo dell'elettrotensile.
2. **Sicurezza elettrica**
  - a. **La spina elettrica deve essere adatta alla presa. Evitare assolutamente di alterare la spina.**  
**Non impiegare spine adattatrici con elettrotensili provvisti di messa a terra.** L'uso di spine inalterate e corrispondenti alle prese della rete domestica riduce il rischio di scosse elettriche.
  - b. **Evitare il contatto fisico con superfici collegate a terra, come tubi, radiatori, forni e frigoriferi.** Un corpo collegato a terra è esposto maggiormente al rischio di scosse elettriche.
  - c. **Custodire gli elettrotensili al riparo dalla pioggia o dall'umidità.** L'eventuale infiltrazione di acqua in un elettrotensile aumenta il rischio di scosse elettriche.
  - d. **Non esporre il cavo a sollecitazioni. Non usare il cavo per trasportare o trainare l'elettrotensile e non tirarlo per estrarre la spina dalla presa di corrente.**  
**Mantenere il cavo a distanza da fonti di calore, olio, bordi taglienti e/o parti in movimento.** I cavi elettrici danneggiati o aggrovigliati aumentano il rischio di scosse elettriche.
3. **Sicurezza delle persone**
  - a. **È importante concentrarsi su ciò che si sta facendo e maneggiare con giudizio l'elettrotensile. Non adoperare l'elettrotensile se si è stanchi o sotto l'effetto di stupefacenti, alcol o medicinali.** Un attimo di distrazione durante l'uso dell'elettrotensile può causare gravi infortuni personali.
  - b. **Indossare un equipaggiamento protettivo. Utilizzare sempre occhiali protettivi di sicurezza.** Indossando un equipaggiamento protettivo, ad esempio: maschera antipolvere, calzature di sicurezza con suola antiscivolo, casco e protezioni per l'udito, in condizioni adeguate, si riduce il rischio di lesioni personali.
  - c. **Evitare l'accensione involontaria dell'elettrotensile. Verificare che l'interruttore di accensione sia posizionato su off prima di collegare il cavo di alimentazione o la batteria, di sollevare o trasportare l'elettrotensile.**  
Trasportare gli elettrotensili con il dito sull'interruttore di accensione o collegare all'alimentazione elettrotensili con l'interruttore posizionato su on, favorisce il verificarsi di incidenti.
  - d. **Prima di accendere un elettrotensile, togliere eventuali chiavi o attrezzi di regolazione.** Un attrezzo o una chiave lasciati in un componente mobile dell'elettrotensile possono causare lesioni.
  - e. **Non sporgersi. Mantenere sempre un buon equilibrio evitando posizioni malsicure.** In questo modo è possibile controllare meglio l'elettrotensile in situazioni inaspettate.
  - f. **Vestirsi adeguatamente. Evitare di indossare indumenti larghi o gioielli. Tenere capelli, vestiti e guanti lontani dalle parti in movimento.** Vestiti larghi, gioielli o capelli lunghi possono impigliarsi nei componenti in movimento.
  - g. **Se gli elettrotensili sono provvisti di attacchi per la connessione di dispositivi di aspirazione o raccolta della polvere, assicurarsi che questi siano installati e utilizzati correttamente.** L'uso di un dispositivo di aspirazione può ridurre i rischi correlati alle polveri.
4. **Uso e cura degli elettrotensili**
  - a. **Non sovraccaricare l'elettrotensile. Usare un elettrotensile idoneo al lavoro da eseguire.**  
Un elettrotensile appropriato permetterà una migliore e più sicura lavorazione alla potenza nominale prevista.
- e. **Se l'elettrotensile viene adoperato all'aperto, usare esclusivamente prolunghie omologate per l'impiego all'esterno.** Un cavo adatto per impieghi all'esterno riduce il rischio di scosse elettriche.
- f. **Se l'uso di un elettrotensile in un ambiente umido è inevitabile, utilizzare una fonte di alimentazione dotata di un dispositivo di protezione da correnti residue (RCD).** L'uso di un RCD riduce il rischio di scosse elettriche.



- b. **Non utilizzare elettrodomestici con interruttori difettosi.**  
Un elettrodomestico che non può essere controllato mediante l'interruttore è pericoloso e deve essere riparato.
- c. **Scollegare la spina dalla presa e/o estrarre la batteria dall'elettrodomestico prima di eseguire regolazioni, di sostituire degli accessori o di riporre l'elettrodomestico.**  
Queste precauzioni riducono le possibilità che l'elettrodomestico venga messo in funzione accidentalmente.
- d. **Quando non vengono usati, gli elettrodomestici devono essere custoditi fuori della portata dei bambini.**  
**Non consentire l'uso dell'elettrodomestico a persone inesperte o che non abbiano letto le presenti istruzioni.**  
Gli elettrodomestici risultano pericolosi se usati da persone inesperte.
- e. **Sottoporre gli elettrodomestici alle procedure di manutenzione del caso. Verificare che le parti mobili siano bene allineate e non inceppate, che non vi siano componenti rotti e che non sussistano altre condizioni che possano compromettere il funzionamento dell'elettrodomestico. In caso di danni, riparare l'elettrodomestico prima dell'uso.** La scarsa manutenzione causa molti incidenti.
- f. **Mantenere affilati e puliti gli utensili da taglio.** Se sottoposti alla corretta manutenzione, gli utensili da taglio con taglienti affilati s'inceppano meno frequentemente e sono più facili da manovrare.
- g. **Utilizzare l'elettrodomestico, gli accessori, le punte ecc. in conformità alle presenti istruzioni, tenendo conto delle condizioni lavorative e del tipo di lavoro da eseguire.** L'impiego degli elettrodomestici per usi diversi da quelli previsti può dar luogo a situazioni di pericolo.
5. **Riparazioni**
- a. **Fare riparare l'elettrodomestico solo ed esclusivamente da personale specializzato e solo impiegando pezzi di ricambio originali.** Ciò permetterà di conservare le condizioni di sicurezza dell'elettrodomestico.

## Ulteriori avvisi di sicurezza per l'elettrodomestico



**Attenzione!** Ulteriori avvisi di sicurezza per le levigatrici

- ◆ **Afferrare l'elettrodomestico tramite le apposite impugnature isolanti, perché il nastro può entrare in contatto con il cavo di alimentazione.** Tagliare una "linea sotto tensione", può sottoporre a tensione le parti metalliche dell'elettrodomestico e provocare una scossa elettrica.
- ◆ **Utilizzare morsetti o un altro metodo sicuro per fissare e supportare il pezzo in lavorazione su una piattaforma stabile.** Se il pezzo in lavorazione è sostenuto a mano o

appoggiato al proprio corpo, rimane in posizione instabile e si possono verificare perdite di controllo.

- ◆ **Attenzione!** Il contatto o l'inalazione di polveri generate dalla levigazione può creare rischi per la salute dell'operatore e degli eventuali astanti. Indossare una mascherina antipolvere specifica per polveri e fumi e controllare che anche le persone presenti o in arrivo nell'area di lavoro siano adeguatamente protette.
- ◆ Dopo la levigazione, rimuovere tutta la polvere.
- ◆ Fare molta attenzione quando si levigano vernici che probabilmente contengono il piombo come componente di base o quando si levigano certi legni e metalli la cui polvere può essere tossica:
  - Non consentire a bambini o donne in gravidanza di entrare nell'area di lavoro.
  - Non mangiare, bere o fumare nell'area di lavoro.
  - Smaltire la polvere e i rifiuti prendendo le necessarie misure di sicurezza.
- ◆ Questo elettrodomestico non è destinato ad essere utilizzato da persone (bambini inclusi) con ridotte capacità fisiche, sensoriali o mentali, senza esperienza o non in possesso delle dovute conoscenze, senza la supervisione o l'addestramento sull'uso dell'elettrodomestico da parte di una persona responsabile per la loro sicurezza. Controllare i bambini per evitare che giochino con l'elettrodomestico.
- ◆ L'utilizzo previsto è quello indicato nel presente manuale. L'utilizzo di qualsiasi accessorio o attrezzatura o l'uso del presente elettrodomestico per scopi diversi da quelli consigliati nel presente manuale d'istruzioni potrebbero comportare il rischio di infortuni e/o danni alle proprietà.

## Sicurezza altrui

- ◆ Questo elettrodomestico non è destinato ad essere utilizzato da persone (bambini inclusi) con ridotte capacità fisiche, sensoriali o mentali, senza esperienza o non in possesso delle dovute conoscenze, senza la supervisione o l'addestramento da parte di una persona responsabile per la loro sicurezza.
- ◆ Controllare i bambini per evitare che giochino con l'elettrodomestico.

## Rischi residui.

Altri rischi residui che possono sorgere durante l'impiego dell'elettrodomestico e che possono non essere stati contemplati dagli allegati avvisi di sicurezza. Tali rischi possono sorgere a seguito di un uso prolungato o improprio, ecc.

Perfino adottando gli appositi regolamenti di sicurezza e utilizzando i dispositivi di sicurezza, certi rischi residui non possono essere evitati. Essi comprendono:

- ◆ **Lesioni causate o subite a seguito del contatto con parti rotanti/in movimento.**
- ◆ **Lesioni causate o subite durante la sostituzione di parti, lame o accessori.**

- ◆ Lesioni causate dall'impiego prolungato di un elettroutensile. Quando si usa qualsiasi elettroutensile per lunghi periodi, accertarsi di fare regolarmente delle pause.
- ◆ Problemi di udito.
- ◆ Rischi per la salute causati dall'aspirazione di polvere generata dall'utilizzo dell'elettroutensile (ad esempio quando si lavora con il legno, in modo particolare quello di quercia, faggio o l'MDF).

### Vibrazioni

I valori delle vibrazioni dichiarati nei dati tecnici e nella dichiarazione di conformità sono stati misurati in conformità ai metodi di test standard descritti in: EN 60745 e possono essere utilizzati per comparare due elettroutensili. I valori di emissioni dichiarati possono essere usati anche per una valutazione preliminare dell'esposizione.

**Attenzione!** Il valore delle vibrazioni durante l'uso dell'elettroutensile può differire dai valori dichiarati a seconda del modo in cui viene usato l'elettroutensile. Il livello di vibrazioni può aumentare rispetto al livello nominale.

Quando si valuta l'esposizione alle vibrazioni e si stabiliscono le misure di sicurezza richieste dalla direttiva 2002/44/CE per proteggere il personale che utilizza regolarmente gli elettroutensili nello svolgimento delle proprie funzioni, considerare una stima dell'esposizione alle vibrazioni, le effettive condizioni d'uso e il modo in cui l'elettroutensile viene usato, analizzando tutte le parti del ciclo operativo, ovvero i periodi in cui l'elettroutensile è spento o gira a vuoto, oltre al tempo in cui è in uso.

### Etichette sull'elettroutensile

Sull'elettroutensile sono presenti le seguenti immagini:



**Attenzione!** Per ridurre il rischio di lesioni, l'utente è tenuto a leggere il presente manuale di istruzioni.



Installare il sacchetto o la cassetta raccogli-polvere prima di utilizzare l'elettroutensile su pezzi di legno.



Rimuovere il sacchetto o la cassetta raccogli-polvere e installare il deflettore prima di utilizzare l'elettroutensile su pezzi contenenti metallo.

### Sicurezza elettrica



Il doppio isolamento di cui è provvisto l'elettroutensile rende superfluo il filo di terra. Controllare sempre che l'alimentazione corrisponda alla tensione indicata sulla targhetta delle caratteristiche.

- ◆ Se il cavo elettrico in dotazione risulta danneggiato, deve essere sostituito dal produttore o da un Centro di assistenza autorizzato Black & Decker, onde evitare rischi.

### Funzioni

Questo elettroutensile è dotato di tutte le caratteristiche elencate di seguito, o di alcune di esse:

1. Interruttore acceso/spento
2. Manopola di regolazione velocità
3. Pulsante di bloccaggio
4. Impugnatura secondaria
5. Leva tendinastro
6. Manopola di allineamento nastro
7. Braccio dritto

### Fig. A

8. Braccio stretto
9. Braccio a gomito

### Fig. D

10. Cassetta raccogli-polvere
11. Deflettore

### Montaggio

**Attenzione!** Prima di montarlo assicuratevi che l'utensile sia spento e desinserito.

### Inserimento e rimozione dei bracci di levigatura (fig. A & B)

L'elettroutensile viene fornito con in dotazione i seguenti bracci di levigatura:

- ◆ braccio dritto (7), larghezza di levigatura 13 mm
- ◆ braccio stretto (8), larghezza di levigatura 6 mm per lavori complessi
- ◆ braccio a gomiti (9) per scanalare e levigare i pezzi al centro e per raggiungere i punti più inaccessibili

Prima di utilizzare l'elettroutensile per la prima volta, è necessario installarvi il braccio di levigatura.

### Installazione

- ◆ Accertare che la leva tendinastro (5) sia nella posizione mostrata.
- ◆ Allentare e rimuovere la manopola di allineamento nastro (6).
- ◆ Rimuovere il nastro che fissa la molla (12) (se presente).
- ◆ Controllare che la molla (12) sia alloggiata nel suo foro di montaggio.
- ◆ Collocare il braccio come mostrato.
- ◆ Collocare in posizione la manopola di allineamento nastro (6) e serrarla finché il braccio (7) non è allineato all'elettroutensile.

### Smontaggio

- ◆ Rimuovere il nastro di levigatura (13) (se presente) come descritto di seguito.
- ◆ Allentare e rimuovere la manopola di allineamento nastro (6).
- ◆ Rimuovere il braccio.

**Attenzione!** Fare attenzione a non perdere la molla (12).

### Inserimento e rimozione dei nastri di levigatura (fig. B)

**Attenzione!** La molla deve essere inserita. Fare attenzione a non perdere la molla (12).

### Installazione

- ◆ Spostare la leva tendinastro (5) in posizione anteriore (A).
- ◆ Accertare che le frecce sul lato interno del nastro di levigatura (13) siano rivolte nella stessa direzione delle frecce (14) sull'alloggiamento.
- ◆ Collocare il nastro di levigatura (13) sopra la puleggia anteriore (15) e quella posteriore (16), facendolo scivolare nella cava presente sull'alloggiamento.
- ◆ Spostare la leva tendinastro (5) in posizione posteriore (B).
- ◆ Allineare il nastro come descritto di seguito.

### Smontaggio

- ◆ Spostare la leva tendinastro (5) in posizione anteriore (A).
- ◆ Far scivolare il nastro di levigatura (13) via dalle pulegge.

### Regolazione dell'allineamento del nastro di levigatura (fig. C)

- ◆ Accendere l'elettrotensile.
- ◆ Ruotare la manopola di allineamento nastro (6) come necessario perché il nastro di levigatura (13) scorra dritto sull'intera lunghezza del braccio.

### Inserimento e rimozione della cassetta raccogli polvere (fig. D & F)

**Attenzione!** Rimuovere sempre la cassetta raccogli polvere e installare il deflettore per utilizzare l'elettrotensile su pezzi contenenti metallo.

- ◆ Installare la cassetta raccogli polvere (10) inserendola sull'apertura per l'estrazione della polvere.
- ◆ Far scorrere il sacchetto raccogli polvere sull'elettrotensile e verificare che sia posizionato saldamente.
- ◆ Per rimuovere la cassetta raccogli polvere, tirarla sul lato posteriore allontanandola dall'uscita.

### Inserimento e rimozione del deflettore (fig. D & E)

**Attenzione!** Il deflettore deve essere usato per levigare pezzi di metallo.

- ◆ Installare il deflettore (11) sull'uscita per l'estrazione della polvere.
- ◆ Far scorrere il deflettore sull'elettrotensile e verificare che sia posizionato saldamente.

- ◆ Per rimuovere il deflettore, tirarlo verso il lato posteriore allontanandolo dall'uscita.

### Uso

**Attenzione!** Lasciare che l'utensile lavori al suo ritmo, senza sovraccaricarlo.

### Comando per la regolazione della velocità (fig. G)

Il comando di velocità variabile consente di regolare la velocità dell'utensile in base al materiale lavorato.

- ◆ Regolare la manopola di comando (2) sulla posizione desiderata. Utilizzare l'alta velocità per il legno, la velocità media per compensato e fibre sintetiche, e la velocità lenta per i metalli non ferrosi e per rimuovere la vernice.

### Avviamento e spegnimento (fig. G)

- ◆ Per accendere l'elettrotensile, premere l'interruttore on/off (1).
- ◆ Per un funzionamento continuo, premere il pulsante di blocco (2) e rilasciare l'interruttore on/off (1).
- ◆ Per spegnere l'elettrotensile, rilasciare l'interruttore on/off (1).
- ◆ Per spegnere l'elettrotensile in modalità di funzionamento continuo, premere ancora una volta e poi rilasciare l'interruttore on/off (1).

### Svuotamento della cassetta raccogli polvere (fig. F)

Durante l'uso, la cassetta raccogli polvere (10) deve essere svuotata ogni 10 minuti.

- ◆ Tirare indietro la cassetta raccogli polvere (10) e rimuoverla dall'elettrotensile.
- ◆ Togliere il coperchio (17) ruotandolo in senso antiorario.
- ◆ Mantenere la cassetta raccogli polvere (10) con il filtro (18) rivolto verso il basso e scuoterla per svuotarla del contenuto.
- ◆ Agitare il coperchio (17) per svuotarlo del contenuto.
- ◆ Rimontare il coperchio (17) sulla cassetta raccogli polvere (10), ruotandolo in senso orario finché non si blocca in posizione.
- ◆ Rialloggiare la cassetta raccogli polvere (10) sull'elettrotensile.

### Pulizia del filtro della cassetta raccogli polvere (fig. F)

**Attenzione!** Per pulire il filtro non usare né spazzole, né aria compressa, né oggetti taglienti. Non lavare il filtro.

- ◆ Il filtro della cassetta raccogli polvere (18) è riutilizzabile e deve essere pulito regolarmente.
- ◆ Svuotare la cassetta raccogli polvere (10) come descritto precedentemente.
- ◆ Estrarre il filtro (18) dalla cassetta raccogli polvere (14).
- ◆ Eliminare la polvere in eccesso battendo il filtro (18) contro le pareti di una pattumiera.
- ◆ Reinstallare il filtro (18).

- ◆ Inserire il coperchio (17).
- ◆ Far scorrere la cassetta raccogli-polvere (10) sull'elettrotensile e verificare che sia posizionata saldamente.

## Applicazioni speciali (fig. H, I & J)

### Braccio a gomito (fig. H)

- ◆ Utilizzare la sezione A per scanalare o levigare i pezzi al centro e in aree limitate.
- ◆ Utilizzare la sezione B per le superfici ricurve.

### Braccio dritto (fig. I)

- ◆ Usare il braccio normale o stretto per interventi generici, per scanalare e fabbricare degli snodi.

### Braccio stretto (fig. J)

- ◆ Utilizzare il braccio stretto per lavori più raffinati, per tagliare ed intagliare.

## Consigli per un'ottima utilizzazione

- ◆ Sostenere sempre l'elettrotensile con entrambe le mani.
- ◆ Non esercitare una pressione eccessiva sull'elettrotensile.
- ◆ Verificare regolarmente lo stato del nastro di levigatura (12). Sostituirlo quando necessario.
- ◆ Levigare sempre usando una grana analoga a quella del legno.
- ◆ Per levigare strati di vernice nuova, adoperare carta abrasiva a grana fine prima di applicare lo strato successivo di vernice.
- ◆ Su superfici particolarmente irregolari, o per la rimozione di strati di vernice, iniziare a levigare con carta abrasiva a grana grossa. Su altri tipi di superfici, cominciare con una grana media. In entrambi i casi, per ottenere una rifinitura omogenea passare gradualmente a una grana sottile.
- ◆ Consultare il rivenditore per ulteriori informazioni sugli accessori disponibili.

## Manutenzione

Questo elettrotensile è stato progettato per funzionare a lungo con un minimo di manutenzione. Per un funzionamento sempre soddisfacente è necessario avere cura dell'elettrotensile e provvedere alla regolare pulizia.

**Attenzione!** Prima di eseguire qualsiasi intervento di manutenzione, spegnere l'elettrotensile e disinserirne la spina dalla presa.

- ◆ Le feritoie di ventilazione dell'elettrotensile devono essere pulite regolarmente con un pennello morbido o un panno asciutto.

- ◆ Il vano del motore deve essere pulito regolarmente con un panno umido. Non usare materiali abrasivi o detergenti a base di solventi.

## Protezione dell'ambiente



Raccolta differenziata. Questo prodotto non deve essere smaltito con i normali rifiuti domestici.

Nel caso in cui si decida di sostituire l'apparecchio oppure di disfarsene in quanto non più necessario, non dovrà essere smaltito con i normali rifiuti domestici. Smaltire il prodotto tramite raccolta differenziata.



La raccolta differenziata di prodotti e imballaggi usati, consente il riciclaggio e il riutilizzo dei materiali. Riutilizzare i materiali riciclati aiuta a prevenire l'inquinamento ambientale e riduce la richiesta di materie prime.

In base alle normative locali, i servizi per la raccolta differenziata di elettrodomestici possono essere disponibili presso i punti di raccolta municipali o presso il rivenditore, al momento dell'acquisto di un nuovo prodotto.

Black & Decker offre ai suoi clienti un servizio per la raccolta differenziata e la possibilità di riciclare i prodotti Black & Decker che hanno esaurito la loro durata in servizio. **Per usufruire del servizio, è sufficiente restituire il prodotto a qualsiasi tecnico autorizzato, incaricato della raccolta per conto dell'azienda.**

Per individuare il tecnico autorizzato più vicino, rivolgersi alla sede Black & Decker locale, presso il recapito indicato nel presente manuale. Altrimenti un elenco completo di tutti i tecnici autorizzati Black & Decker e i dettagli completi sui contatti e i servizi post-vendita sono disponibili sul sito Internet: [www.2helpU.com](http://www.2helpU.com)

## Dati tecnici

	KA902E Typ. 1	
Tensione	V <sub>AC</sub>	230
Potenza assorbita	W	400
Velocità a vuoto	min <sup>-1</sup>	900-1.600
Peso	kg	1,6

Livello di pressione sonora, dati conformi alla norma  
EN 60745:

Pressione sonora ( $L_{pA}$ ) 84 dB(A), incertezza (K) 3 dB(A)  
Potenza acustica ( $L_{WA}$ ) 95 dB(A), incertezza (K) 3 dB(A)

Valori totali di vibrazione (somma vettoriale triax) determinati  
in base a EN 60745:

Valore di emissione delle vibrazioni ( $a_h$ ) 1,7 m/s<sup>2</sup>,  
incertezza (K) 1,5 m/s<sup>2</sup>

## Dichiarazione di conformità CE

DIRETTIVA MACCHINE



KA902E

Black & Decker dichiara che i prodotti descritti nella sezione  
"dati tecnici" sono conformi con:

2006/42/CE, EN 60745-1, EN 60745-2-4

Per ulteriori informazioni, contattare Black & Decker ai  
seguenti indirizzi o consultare il retro del manuale.

Il sottoscritto è responsabile della compilazione del file tecnico  
e rilascia la presente dichiarazione per conto  
di Black & Decker.

Kevin Hewitt

Vicepresidente progettazione globale  
Black & Decker Europe, 210 Bath Road, Slough,  
Berkshire, SL1 3YD  
Regno Unito  
15/03/2010

## Garanzia

Certa della qualità dei suoi prodotti, Black & Decker offre una **garanzia eccezionale**. Il presente certificato di garanzia è complementare ai diritti statutari e non li pregiudica in alcun modo. La garanzia è valida entro il territorio degli Stati membri dell'Unione Europea e dell'EFTA (European Free Trade Area).

Se un prodotto Black & Decker risulta difettoso per qualità del materiale, della costruzione o per mancata conformità entro 24 mesi dalla data di acquisto, Black & Decker garantisce la sostituzione delle parti difettose, provvede alla riparazione dei prodotti se ragionevolmente usurati oppure alla loro sostituzione, in modo da ridurre al minimo il disagio del cliente a meno che:

- ◆ Il prodotto non sia stato destinato ad usi commerciali, professionali o al noleggio;
- ◆ Il prodotto non sia stato usato in modo improprio o scorretto;
- ◆ Il prodotto non abbia subito danni causati da oggetti o sostanze estranee oppure incidenti;
- ◆ Il prodotto non abbia subito tentativi di riparazione non effettuati da tecnici autorizzati né dall'assistenza Black & Decker.

Per attivare la garanzia è necessario esibire la prova comprovante l'acquisto al venditore o al tecnico autorizzato. Per individuare il tecnico autorizzato più vicino, rivolgersi alla sede Black & Decker locale, presso il recapito indicato nel presente manuale. Altrimenti un elenco completo di tutti i tecnici autorizzati Black & Decker e i dettagli completi sui contatti e i servizi post-vendita sono disponibili su Internet presso: [www.2helpU.com](http://www.2helpU.com)

I clienti che desiderano registrare il nuovo prodotto Black & Decker e ricevere gli aggiornamenti sui nuovi prodotti e le offerte speciali, sono invitati a visitare il sito Web ([www.blackanddecker.it](http://www.blackanddecker.it)). Ulteriori informazioni sul marchio e la gamma di prodotti Black & Decker sono disponibili all'indirizzo [www.blackanddecker.it](http://www.blackanddecker.it)

## Gebruik volgens bestemming

Uw Black & Decker Powerfile™ schuurmachine is ontworpen voor het schuren van hout, metaal, kunststof en geperforde oppervlakken. Deze machine is uitsluitend bestemd voor consumentengebruik.

## Veiligheidsvoorschriften

### Algemene veiligheidswaarschuwingen voor elektrisch gereedschap



**Waarschuwing!** Lees alle veiligheidsinstructies en alle voorschriften. Wanneer de volgende waarschuwingen en voorschriften niet in acht worden genomen, kan dit een elektrische schok, brand of ernstig letsel tot gevolg hebben.

### Bewaar alle waarschuwingen en instructies zorgvuldig.

Het hierna gebruikte begrip "elektrisch gereedschap" heeft betrekking op elektrische gereedschappen voor gebruik op het stroomnet (met netsnoer) of op batterijen (snoerloos).

#### 1. Veiligheid van de werkomgeving

- Houd uw werkomgeving schoon en opgeruimd.**  
Een rommelige en een onverlichte werkomgeving kan tot ongevallen leiden.
- Werk niet met elektrische gereedschappen in een omgeving met explosiegevaar, zoals in aanwezigheid van brandbare vloeistoffen, gassen of stof.** Elektrische gereedschappen veroorzaken vonken die het stof of de dampen tot ontsteking kunnen brengen.
- Houd kinderen en andere personen tijdens het gebruik van het elektrische gereedschap uit de buurt.** Wanneer u wordt afgeleid, kunt u de controle over het gereedschap verliezen.

#### 2. Elektrische veiligheid

- De netstekker van het gereedschap moet in het stopcontact passen.** De stekker mag in geen geval worden veranderd. Gebruik geen adapterstekkers in combinatie met geaarde gereedschappen.  
Onveranderde stekkers en passende stopcontacten verminderen de kans op een elektrische schok.
- Voorkom aanraking van het lichaam met geaarde oppervlakken, bijvoorbeeld buizen, verwarmingen, fornuizen en koelkasten.** De kans op een elektrische schok is groter als uw lichaam geaard is.
- Stel elektrisch gereedschap niet bloot aan regen en vocht.** In elektrisch gereedschap binnendringend water vergroot de kans op een elektrische schok.
- Gebruik het snoer niet voor een verkeerd doel.**  
Gebruik het snoer niet om het gereedschap te dragen, voor te trekken of om de stekker uit het stopcontact te

trekken. Houd het snoer uit de buurt van hitte, olie, scherpe randen of bewegende delen. Beschadigde of in de war geraakte snoeren vergroten de kans op een elektrische schok.

- Gebruik wanneer u buitenshuis met elektrisch gereedschap werkt alleen verlengsnoeren die voor gebruik buitenshuis zijn goedgekeurd.** Het gebruik van een voor gebruik buitenshuis geschikt verlengsnoer verkleint de kans op een elektrische schok.
  - Gebruik een netvoeding voorzien van een reststroomvoorziening (RCD) indien het gebruiken van elektrisch gereedschap op een vochtige locatie onvermijdelijk is.** Gebruik van een reststroomvoorziening verkleint het risico van elektrische schok.
- ### 3. Veiligheid van personen
- Wees alert, let goed op wat u doet en ga met verstand te werk bij het gebruik van elektrische gereedschappen.** Gebruik elektrisch gereedschap niet wanneer u moe bent of onder invloed van drugs, alcohol of medicijnen. Een moment van onoplettendheid bij het gebruik van het gereedschap kan tot ernstige verwondingen leiden.
  - Gebruik persoonlijke beschermende uitrusting. Draag altijd oogbescherming.** Persoonlijke beschermende uitrusting zoals een stofmasker, slipvaste werkschoenen, een veiligheidshelm of gehoorbescherming, gebruikt voor geschikte condities, verkleint het risico van verwondingen.
  - Voorkom onbedoeld inschakelen.** Zorg ervoor dat de schakelaar in de "uit"-stand staat voordat u de stekker in het stopcontact steekt, de accu plaatst of het gereedschap oppakt of draagt. Het dragen van het gereedschap met uw vinger aan de schakelaar of het gereedschap ingeschakeld op de stroomvoorziening aansluiten kan tot ongelukken leiden.
  - Verwijder stelsleutels of moersleutels voordat u het gereedschap inschakelt.** Een sleutel in een draaiend onderdeel van het elektrische gereedschap kan tot verwondingen leiden.
  - Reik niet te ver.** Zorg altijd dat u stevig staat en in evenwicht blijft. Daardoor kunt u het gereedschap in onverwachte situaties beter onder controle houden.
  - Draag geschikte kleding.** Draag geen loshangende kleding of sieraden. Houd haren, kleding en handschoenen uit de buurt van bewegende delen. Loshangende kleding, sieraden en lange haren kunnen bekneld raken in bewegende delen.
  - Sluit eventueel bijgeleverde stofzuig- of stofopvangvoorzieningen aan en gebruik ze op de juiste manier.** Het gebruik van stofopvang beperkt het gevaar door stof.

4. Gebruik en onderhoud van elektrische gereedschappen
    - a. **Overbelast het gereedschap niet. Gebruik voor uw toepassing het daarvoor bestemde elektrische gereedschap.** Met het passende elektrische gereedschap werkt u beter en veiliger binnen het aangegeven capaciteitsbereik.
    - b. **Gebruik geen elektrisch gereedschap waarvan de schakelaar defect is.** Elektrisch gereedschap dat niet meer kan worden in- of uitgeschakeld is gevaarlijk en moet worden gerepareerd.
    - c. **Trek de stekker uit het stopcontact en/of accu** alvorens het gereedschap af te stellen, accessoires te verwisselen of elektrisch gereedschap op te bergen. Deze voorzorgsmaatregel voorkomt onbedoeld starten van het gereedschap.
    - d. **Bewaar elektrische gereedschappen die niet worden gebruikt buiten bereik van kinderen.** Laat personen die niet met het gereedschap vertrouwd zijn of deze aanwijzingen niet hebben gelezen niet met het gereedschap werken. Elektrische gereedschappen zijn gevaarlijk in de handen van onervaren personen.
    - e. **Verzorg het gereedschap zorgvuldig.** Controleer bewegende delen van het gereedschap op goede uitlijning en soepele werking. Controleer of onderdelen niet gebroken zijn of dat de werking van het gereedschap niet op enige andere wijze nadelig wordt beïnvloed. Laat beschadigde delen repareren voordat u met het gereedschap gaat werken. Veel ongevallen worden veroorzaakt door slecht onderhouden elektrische gereedschappen.
    - f. **Houd snijgereedschappen scherp en schoon.** Zorgvuldig onderhouden snijgereedschappen met scherpe snijkanten lopen minder snel vast en zijn gemakkelijker te sturen.
    - g. **Gebruik elektrische gereedschappen, toebehoren, inzetgereedschappen en dergelijke volgens deze aanwijzingen.** Let daarbij op de arbeidsomstandigheden en de uit te voeren werkzaamheden. Het gebruik van elektrische gereedschappen voor andere dan de voorziene toepassingen kan tot gevaarlijke situaties leiden.
  5. Service
    - a. **Laat het elektrische gereedschap alleen repareren door een gekwalificeerde reparateur en alleen met gebruik van originele vervangingsonderdelen.** Dit garandeert de veiligheid van het gereedschap.
- ◆ **Houd de machine aan de geïsoleerde greepvlakken vast, omdat de riem de eigen machinekabel kan raken.** Het insnijden van een onder spanning staande leiding, zetten ook de zichtbare metalen machinedelen onder spanning; dit kan leiden tot een elektrische schok.
  - ◆ **Hanteer klemmen of een andere praktische manier om het werkstuk op een stabiele ondergrond vast te klemmen en te ondersteunen.** Het werkstuk met de hand vasthouden of tegen het lichaam houden zorgt voor instabiliteit en kan leiden tot controleverlies.
  - ◆ **Waarschuwing!** Contact met of inademing van stoffen die veroorzaakt worden door schuurtoepassingen kunnen de gezondheid van de gebruiker en mogelijke omstanders ernstig schaden. Draag een stofmasker dat speciaal ontworpen is ter bescherming tegen stoffen en dampen en verzeker u ervan dat andere personen op de werkvloer of die de werkvloer betreden eveneens beschermd zijn.
  - ◆ Verwijder zorgvuldig alle stof na het schuren.
  - ◆ Neem speciale maatregelen bij het schuren van verf met mogelijk een loodbasis of bij het schuren van bepaalde hout- en metaalsoorten die mogelijk giftige stoffen produceren:
    - Kinderen en zwangere vrouwen mogen de werkvloer niet betreden.
    - Eten, drinken en roken op de werkvloer is niet toegestaan.
    - Verwijder stof en ander afval op veilige en verantwoorde wijze.
  - ◆ Deze machine is niet bedoeld voor gebruik door personen (inclusief kinderen) met beperkt lichamelijk, zintuigelijk of geestelijk vermogen, of gebrek aan ervaring en kennis, tenzij hen de supervisie of instructie is gegeven omtrent het gebruik van de machine door een persoon die verantwoordelijk is voor hun veiligheid. Houd toezicht op kinderen om ervoor te zorgen dat zij niet met het apparaat gaan spelen.
  - ◆ Het gebruik volgens bestemming is beschreven in deze handleiding. Gebruik ter voorkoming van lichamelijk letsel en/of materiële schade uitsluitend de in deze gebruiksaanwijzing aanbevolen accessoires en hulpstukken. Gebruik het instrument uitsluitend volgens bestemming.

#### Veiligheid van anderen

- ◆ Dit apparaat is niet bedoeld voor gebruik door personen (inclusief kinderen) met beperkt lichamelijk, zintuigelijk of geestelijk vermogen, of gebrek aan ervaring en kennis, tenzij ze de supervisie of instructie is gegeven omtrent het gebruik van het apparaat door een persoon die verantwoordelijk is voor hun veiligheid.
- ◆ Houd toezicht op kinderen om te voorkomen dat zij met het apparaat gaan spelen.

#### Aanvullende veiligheids waarschuwingen voor elektrisch gereedschap



**Waarschuwing!** Aanvullende veiligheids waarschuwingen voor schuurmachines



## Overige risico's.

Er kunnen zich tijdens het gebruik van het gereedschap ook andere risico's voordoen die misschien niet in de bijgevoegde veiligheidswaarschuwingen worden vermeld. Deze risico's kunnen zich voordoen als gevolg van onoordeelkundig gebruik, langdurig gebruik, enz.

Zelfs als de veiligheidsvoorschriften in acht worden genomen en de veiligheidsvoorzieningen worden geïmplementeerd, kunnen bepaalde risico's niet worden vermeden. Deze omvatten:

- ◆ **Verwondingen die worden veroorzaakt door het aanraken van draaiende of bewegende onderdelen.**
- ◆ **Verwondingen die worden veroorzaakt bij het vervangen van onderdelen, bladen of accessoires.**
- ◆ **Verwondingen die worden veroorzaakt door langdurig gebruik van het gereedschap. Als u langere periodes met het gereedschap werkt, is het raadzaam om regelmatig een pauze in te lassen.**
- ◆ **Gehoorschadiging.**
- ◆ **Gezondheidsrisico's als gevolg van het inademen van stof dat door gebruik van het gereedschap wordt veroorzaakt (bijvoorbeeld tijdens het werken met hout, vooral eiken, beuken en MDF.)**

## Vibratie

De verklaarde trillingsafgifte in het gedeelte van de technische gegevens / conformiteitsverklaring zijn gemeten volgens een standaard testmethode vastgesteld door EN 60745 en kan worden gebruikt om apparaten met elkaar te vergelijken.

De verklaarde trillingsafgifte kan ook worden gebruikt in een voorlopige beoordeling van blootstelling.

**Waarschuwing!** De waarde van de trillingsafgifte tijdens daadwerkelijk gebruik van elektrisch gereedschap kan afwijken van de verklaarde waarde afhankelijk op wat voor manieren het apparaat wordt gebruikt. Het trillingsniveau kan toenemen boven het aangegeven niveau.

Bij het bepalen van de trillingsblootstelling ter vaststelling van de veiligheidsmaatregelen vereist door 2002/44/EG - ter bescherming van personen die werkzaam zijn met gereedschap gebruiken - dient een inschatting van de trillingsblootstelling de feitelijke gebruikscondities en bedieningswijze in acht te nemen, inclusief alle onderdelen van de bedieningscyclus, zoals het uitschakelen van het apparaat en het onbelast laten lopen alsmede de trekkertijd.

## Labels op de machine

Op de machine vindt u de volgende pictogrammen:



**Waarschuwing!** De gebruiker moet de handleiding lezen om risico op letsel te verkleinen

Breng de stofzak of de stofcassette aan voordat u de machine op houten werkstukken gaat gebruiken.

Verwijder de stofzak of de cassette en breng de deflector aan voordat u de machine op metaalhoudende werkstukken gaat gebruiken.

## Elektrische veiligheid



Deze machine is dubbel geïsoleerd; een aardaansluiting is daarom niet noodzakelijk. Controleer altijd of uw netspanning overeenkomt met de waarde op het typeplaatje.

- ◆ Indien het netsnoer is beschadigd, dient het ter voorkoming van gevaren te worden vervangen door de fabrikant of een erkend servicecentrum.

## Onderdelen

Al naar gelang de uitvoering beschikt uw machine over de volgende onderdelen:

1. Aan/uit-schakelaar
2. Snelheidsinstelknop
3. Vergrendelingsknop
4. Extra handgreep
5. Bandspanningshendel
6. Bandvolgknop
7. Rechte arm

## Fig. A

8. Smalle arm
9. Gebogen arm

## Fig. D

10. Stofcassette
11. Deflector

## Montage

**Waarschuwing!** Zorg vóór aanvang van de montage dat de machine is uitgeschakeld en de netstekker van het lichtnet is losgekoppeld.

## Monteren en verwijderen van de schuurarmen (fig. A & B)

De machine wordt geleverd met de volgende schuurarmen:

- ◆ Rechte arm (7), schuurbreedte 13 mm
- ◆ Smalle arm (8), schuurbreedte 6 mm, voor fijn werk
- ◆ Gebogen arm (9) voor het schuren van groeven, het schuren midden op werkstukken en het schuren van moeilijk bereikbare oppervlakken

Voor het eerst gebruik dient u de schuurarm op de machine aan te brengen.



### Aanbrengen

- ◆ Zorg ervoor dat de bandspanningshendel (5) in de aangegeven stand staat.
- ◆ Draai de bandvolgknop (6) los en verwijder deze.
- ◆ Verwijder de tape waarmee de veer (12) vastzit (indien aanwezig).
- ◆ Controleer of de veer (12) correct in het montagegat zit.
- ◆ Plaats de arm zoals afgebeeld.
- ◆ Breng de bandvolgknop (6) aan en draai hem vast totdat de arm (7) in lijn is met de machine.

### Verwijderen

- ◆ Verwijder de schuurband (13) (indien aanwezig) zoals hieronder beschreven.
- ◆ Draai de bandvolgknop (6) los en verwijder deze.
- ◆ Verwijder de arm.

**Waarschuwing!** Zorg ervoor dat u de veer niet verliest (12).

### Monteren en verwijderen van de schuurbanden (fig. B)

**Waarschuwing!** De veer moet worden aangebracht. Zorg ervoor dat u de veer niet verliest (12).

### Aanbrengen

- ◆ Beweeg de bandspanningshendel (5) naar de voorste positie (A).
- ◆ Zorg ervoor dat de pijlen aan de binnenkant van de schuurband (13) in dezelfde richting wijzen als de pijlen (14) op de behuizing.
- ◆ Plaats de schuurband (13) over de voorste schijf (15) en de achterste schijf (16), waarbij u hem door de sleuf in de behuizing schuift.
- ◆ Beweeg de bandspanningshendel (5) naar de achterste positie (B).
- ◆ Stel het bandvolgsysteem af zoals hieronder beschreven.

### Verwijderen

- ◆ Beweeg de bandspanningshendel (5) naar de voorste positie (A).
- ◆ Schuif de schuurband (13) van de schijven af.

### Afstellen van de loop van de schuurband (fig. C)

- ◆ Schakel de machine in.
- ◆ Draai de bandvolgknop (6) zodanig dat de schuurband (13) in een rechte lijn langs de lengte van de arm loopt.

### Monteren en verwijderen van de stofcassette (fig. D & F)

**Waarschuwing!** Verwijder altijd de stofcassette en breng de deflector aan voordat u de machine op metalen werkstukken gaat gebruiken.

- ◆ Breng de stofcassette (10) aan over de stofzuigaansluiting.

- ◆ Schuif het voorwerp op de machine en zorg ervoor dat deze stevig op zijn plaats zit.
- ◆ Om de stofcassette te verwijderen, trekt u deze naar achteren en uit de aansluiting.

### Monteren en verwijderen van de deflector (fig. D & E)

**Waarschuwing!** De deflector moet worden gebruikt bij het schuren van metalen werkstukken.

- ◆ Breng de deflector (11) aan over de stofzuigaansluiting.
- ◆ Schuif de deflector op de machine en zorg ervoor dat deze stevig op zijn plaats zit.
- ◆ Om de deflector te verwijderen, trekt u deze naar achteren en uit de aansluiting.

### Gebruik

**Waarschuwing!** Laat de machine op haar eigen tempo werken. Niet overbelasten.

### Variabele snelheidsregeling (fig. G)

De variabele snelheidsregeling biedt de mogelijkheid om de snelheid van de machine aan te passen aan het materiaal van het werkstuk.

- ◆ Zet de bedieningsknop (2) op de gewenste instelling. Gebruik een hoge snelheid voor hout, een gemiddelde snelheid voor finer en synthetische materialen, en een lage snelheid voor non-ferrometalen en voor het verwijderen van verf.

### Aan- en uitschakelen (fig. G)

- ◆ Om de machine in te schakelen, drukt u de aan/uitschakelaar (1) in.
- ◆ Voor continu-bediening: houd de vergrendelingsknop (2) ingedrukt en laat de aan/uitschakelaar (1) los.
- ◆ Om de machine uit te schakelen, laat u de aan/uitschakelaar (1) los.
- ◆ Om de machine uit te schakelen in continu-bedrijf, drukt u nogmaals op de aan/uitschakelaar (1) en laat u hem los.

### Ledigen van de stofcassette (fig. F)

De stofcassette (10) dient na iedere 10 minuten gebruik te worden geleegd.

- ◆ Trek de stofcassette (10) naar achteren en van de machine af.
- ◆ Verwijder het deksel (17) door deze linksom te draaien.
- ◆ Houd de stofcassette (10) vast met het filter (18) naar beneden gericht en schud de cassette (10) leeg.
- ◆ Schud het deksel (17) leeg.
- ◆ Breng het deksel (17) weer aan op de stofcassette (10) en draai het rechtsom totdat het op zijn plaats klikt.
- ◆ Breng de stofcassette (10) weer aan op de machine.

## Reinigen van het stofcassettefilter (fig. F)

**Waarschuwing!** Gebruik geen borstel, perslucht of scherpe voorwerpen om het filter te reinigen. Was het filter niet.

- ◆ Het stofcassettefilter (18) is herbruikbaar en dient regelmatig te worden gereinigd.
- ◆ Ledig de stofcassette (10) zoals hierboven beschreven.
- ◆ Trek het filter (18) van de stofcassette (14).
- ◆ Verwijder overtollig stof door het filter (18) in een afvalbak uit te kloppen.
- ◆ Plaats het filter (18) terug.
- ◆ Breng het deksel (17) aan.
- ◆ Schuif de stofcassette (10) op de machine en zorg ervoor dat deze stevig op zijn plaats zit.

## Speciale toepassingen (fig. H, I & J)

### Gebogen arm (fig. H)

- ◆ Gebruik onderdeel A voor het schuren van groeven, het schuren midden op werkstukken of het schuren van moeilijk bereikbare oppervlakken.
- ◆ Gebruik onderdeel B voor gebogen oppervlakken.

### Rechte arm (fig. I)

- ◆ Gebruik de gewone of smalle armen voor algemeen gebruik en voor het maken van sleuven en verbindingen.

### Smalle arm (fig. J)

- ◆ Gebruik de smalle arm voor fijnere details en voor houtsnijwerk.

## Tips voor optimaal gebruik

- ◆ Houd de machine altijd met beide handen vast.
- ◆ Oefen niet te veel druk uit op de machine.
- ◆ Controleer regelmatig de conditie van de schuurband (12). Vervang indien nodig.
- ◆ Schuur altijd met de houtnerf mee.
- ◆ Gebruik een extra fijne korrel bij het schuren van een nieuwe verflaag voordat u een volgende verflaag aanbrengt.
- ◆ Begin op zeer oneffen oppervlakken of bij het verwijderen van verflagen met een grove korrel. Begin op andere oppervlakken met een mediumkorrel. Ga in beide gevallen geleidelijk aan over op een fijne korrel voor een gladde afwerking.
- ◆ Informeer bij uw detailhandel voor meer informatie over de verkrijgbare accessoires.

## Onderhoud

Dit gereedschap is ontworpen om gedurende langere periode te functioneren met een minimum aan onderhoud.

Voortdurend tevreden gebruik is afhankelijk van correct onderhoud en regelmatig schoonmaken.

**Waarschuwing!** Zorg vóór aanvang van onderhoudswerkzaamheden dat de machine is uitgeschakeld en de netstekker van het lichtnet is losgekoppeld.

- ◆ Reinig regelmatig de ventilatieopeningen van uw machine met een zachte borstel of een droge doek.
- ◆ Reinig regelmatig de behuizing van de motor met een vochtige doek. Gebruik geen schuur- of oplosmiddel.

## Milieu



Gescheiden inzameling. Dit product mag niet met het gewone huishoudelijke afval worden weggegooid.

Wanneer uw oude Black & Deckerproduct aan vervanging toe is of het u niet langer van dienst kan zijn, gooi het dan niet bij het huishoudelijk afval. Zorg ervoor dat het product gescheiden kan worden ingezameld.



Door gebruikte producten en verpakkingen gescheiden in te zamelen, worden de materialen gerecycled en opnieuw gebruikt. Hergebruik van gerecyclede materialen voorkomt milieuvervuiling en vermindert de vraag naar grondstoffen.

Inzamelpunten voor gescheiden inzameling van elektrische huishoudproducten bij gemeentelijke vuilnisbergen of bij de verkoper waar u een nieuw product koopt, kunnen aan plaatselijke voorschriften gebonden zijn.

Black & Decker biedt de mogelijkheid tot inzamelen en recyclen van afgedankte Black & Decker producten. Om gebruik van deze service te maken, dient u het product aan een van onze servicecentra te sturen, die voor ons de inzameling verzorgen.

U kunt het adres van het dichtstbijzijnde servicecentrum opvragen via de adressen op de achterzijde van deze handleiding. U kunt ook een lijst van onze servicecentra en meer informatie m.b.t. onze klantenservice vinden op het volgende Internet-adres: [www.2helpU.com](http://www.2helpU.com)

## Technische gegevens

KA902E Typ. 1	
Spanning	V <sub>AC</sub> 230
Opgenomen vermogen	W 400
Onbelast toerental	min <sup>-1</sup> 900-1.600
Gewicht	kg 1,6

Niveau van de geluidsdruk, gemeten volgens EN 60745:

Geluidsdruk ( $L_{pA}$ ) 84 dB(A), onzekerheid (K) 3 dB(A)

Geluidsvermogen ( $L_{WA}$ ) 95 dB(A), onzekerheid (K) 3 dB(A)

Totale trillingswaarden (triaxiale vectorsom) volgens EN 60745:

Trillingsafgifte ( $a_h$ ) 1,7 m/s<sup>2</sup>, onzekerheid (K) 1,5 m/s<sup>2</sup>

## EG-conformiteitsverklaring

MACHINERICHTLIJN



KA902E

Black & Decker verklaart dat deze producten, zoals onder "technische gegevens" beschreven, overeenkomstig zijn met: 2006/42/EG, EN 60745-1, EN 60745-2-4

Neem voor meer informatie contact op met Black & Decker via het volgende adres of zie de achterzijde van de handleiding. De ondergetekende is verantwoordelijk voor de samenstelling van de technische gegevens en geeft deze verklaring namens Black & Decker.

Kevin Hewitt  
Vice-President Global Engineering  
Black & Decker Europe, 210 Bath Road, Slough,  
Berkshire, SL1 3YD  
Verenigd Koninkrijk  
15/03/2010

## Garantie

Black & Decker heeft vertrouwen in zijn producten en biedt een uitstekende garantie. Deze garantiebepalingen vormen een aanvulling op uw wettelijke rechten en beperken deze niet. De garantie geldt in de lidstaten van de Europese Unie en de Europese Vrijhandelsassociatie.

Mocht uw Black & Decker product binnen 24 maanden na datum van aankoop defect raken tengevolge van materiaal- of constructiefouten, dan garanderen wij de kosteloze vervanging van defecte onderdelen, de reparatie van het product of de vervanging van het product, tenzij:

- ◆ Het product is gebruikt voor handelsdoeleinden, professionele toepassingen of verhuurdoeleinden;
- ◆ Het product onoordeelkundig is gebruikt;
- ◆ Het product is beschadigd door invloeden van buitenaf of door een ongeval;
- ◆ Reparaties zijn uitgevoerd door anderen dan onze servicecentra of Black & Decker personeel.

Om een beroep op de garantie te doen, dient u een aankoopbewijs te overhandigen aan de verkoper of een van onze servicecentra. U kunt het adres van het dichtstbijzijnde servicecentrum opvragen via de adressen op de achterzijde van deze handleiding. U kunt ook een lijst van onze servicecentra en meer informatie m.b.t. onze klantenservice vinden op het volgende Internet-adres: [www.2helpU.com](http://www.2helpU.com)

Meld u aan op onze website [www.blackanddecker.nl](http://www.blackanddecker.nl) om te worden geïnformeerd over nieuwe producten en speciale aanbiedingen. Verdere informatie over het merk Black & Decker en onze producten vindt u op [www.blackanddecker.nl](http://www.blackanddecker.nl)

## Finalidad

Su lijadora de Black & Decker Powerfile™ ha sido diseñada para lijar madera, metal, plástico y superficies pintadas. Esta herramienta está pensada únicamente para uso doméstico.

## Instrucciones de seguridad

### Advertencias de seguridad generales para herramientas eléctricas



**¡Atención!** Lea todas las advertencias e instrucciones de seguridad. En caso de no respetarse las advertencias e instrucciones indicadas a continuación, podría producirse una descarga eléctrica, incendio y/o lesión grave.

Conserve todas las advertencias e instrucciones para su posterior consulta. El término "herramienta eléctrica" empleado en las advertencias indicadas a continuación se refiere a la herramienta eléctrica con alimentación de red (con cable) o alimentada por pila (sin cable).

1. Seguridad del área de trabajo
  - a. Mantenga limpia y bien iluminada el área de trabajo. El desorden o una iluminación deficiente en las áreas de trabajo pueden provocar accidentes.
  - b. No utilice la herramienta eléctrica en un entorno con peligro de explosión, en el que se encuentren combustibles líquidos, gases o material en polvo. Las herramientas eléctricas producen chispas que pueden llegar a inflamar los materiales en polvo o vapores.
  - c. Mantenga alejados a los niños y otras personas del área de trabajo al emplear la herramienta eléctrica. Una distracción le puede hacer perder el control sobre la herramienta.
2. Seguridad eléctrica
  - a. El enchufe de la herramienta eléctrica debe corresponder a la toma de corriente utilizada. No es admisible modificar el enchufe en forma alguna. No emplee adaptadores en herramientas eléctricas dotadas con una toma de tierra. Los enchufes sin modificar adecuados a las respectivas tomas de corriente reducen el riesgo de una descarga eléctrica.
  - b. Evite que su cuerpo toque partes conectadas a tierra como tuberías, radiadores, cocinas y refrigeradores. El riesgo a quedar expuesto a una descarga eléctrica es mayor si su cuerpo tiene contacto con tierra.
  - c. No exponga las herramientas eléctricas a la lluvia y evite que penetren líquidos en su interior. Existe el peligro de recibir una descarga eléctrica si penetran ciertos líquidos en la herramienta eléctrica.
3. Seguridad personal
  - a. Esté atento a lo que hace y emplee la herramienta eléctrica con prudencia. No utilice la herramienta eléctrica si estuviese cansado, ni tampoco después de haber consumido alcohol, drogas o medicamentos. El no estar atento durante el uso de una herramienta eléctrica puede provocar serias lesiones.
  - b. Utilice equipos de protección personal. Lleve siempre protección ocular. Los equipos de protección tales como una mascarilla antipolvo, zapatos de seguridad con suela antideslizante, casco o protectores auditivos, utilizados en condiciones adecuadas, contribuyen a reducir las lesiones personales.
  - c. Evite una puesta en marcha involuntaria. Asegúrese de que el interruptor esté en la posición de apagado antes de conectar a la fuente de alimentación o la batería, coger o transportar la herramienta. Si se transportan herramientas eléctricas con el dedo sobre el interruptor o si se enchufan con el interruptor encendido puede dar lugar a accidentes.
  - d. Retire las herramientas de ajuste o llaves fijas antes de conectar la herramienta eléctrica. Una herramienta o llave colocada en una pieza giratoria de la herramienta eléctrica puede producir lesiones al ponerse a funcionar.
  - e. Sea precavido. Evite adoptar una posición que fatigue su cuerpo; mantenga un apoyo firme sobre el suelo y conserve el equilibrio en todo momento. Ello le permitirá controlar mejor la herramienta eléctrica en caso de presentarse una situación inesperada.
  - f. Lleve puesta una vestimenta de trabajo adecuada. No lleve vestidos anchos ni joyas. Mantenga su pelo, vestimenta y guantes alejados de las piezas móviles. La vestimenta suelta, las joyas y el pelo largo se pueden enganchar con las piezas en movimiento.
- d. Cuide el cable eléctrico. No utilice el cable eléctrico para transportar o colgar la herramienta eléctrica, ni tire de él para sacar el enchufe de la toma de corriente. Mantenga el cable eléctrico alejado del calor, aceite, bordes afilados o piezas móviles. Los cables eléctricos dañados o enredados pueden provocar una descarga eléctrica.
- e. Al trabajar con la herramienta eléctrica en la intemperie utilice solamente cables alargadores homologados para su uso en exteriores. La utilización de un cable alargador adecuado para su uso en exteriores reduce el riesgo de una descarga eléctrica.
- f. Si fuera inevitable la utilización de una herramienta eléctrica en un lugar húmedo, utilice un suministro protegido con un dispositivo de corriente residual (RCD). La utilización de un dispositivo de corriente residual reduce el riesgo de descarga eléctrica.

- g. Siempre que sea posible utilizar unos equipos de aspiración o captación de polvo, asegúrese que éstos estén montados y que sean utilizados correctamente.

El empleo de equipos de recogida de polvo reduce los riesgos derivados del polvo.

4. Uso y cuidado de herramientas eléctricas

- a. No sobrecargue la herramienta eléctrica. Use la herramienta eléctrica prevista para el trabajo a realizar. Con la herramienta eléctrica adecuada podrá trabajar mejor y más seguro dentro del margen de potencia indicado.
- b. No utilice herramientas eléctricas con un interruptor defectuoso. Las herramientas eléctricas que no se puedan conectar o desconectar son peligrosas y deben hacerse reparar.
- c. Desconecte el enchufe de la fuente eléctrica y/o la batería de la herramienta eléctrica antes de realizar ajustes, cambiar accesorios o almacenar la herramienta eléctrica. Esta medida preventiva reduce el riesgo de conectar accidentalmente la herramienta eléctrica.
- d. Guarde las herramientas eléctricas fuera del alcance de los niños y de las personas que no estén familiarizadas con su uso. Las herramientas eléctricas utilizadas por personas inexpertas son peligrosas.
- e. Cuide sus herramientas eléctricas con esmero. Controle si funcionan correctamente, sin atascarse, las partes móviles de la herramienta eléctrica, y si existen partes rotas o deterioradas que pudieran afectar al funcionamiento de la herramienta. Si la herramienta eléctrica estuviese defectuosa haga que la reparen antes de volver a utilizarla. Muchos accidentes se deben a herramientas eléctricas con un mantenimiento deficiente.
- f. Mantenga las herramientas de corte limpias y afiladas. Las herramientas de corte mantenidas correctamente se dejan guiar y controlar mejor.
- g. Utilice la herramienta eléctrica, los accesorios y las puntas de la herramienta, etc. de acuerdo a estas instrucciones, teniendo en cuenta las condiciones de trabajo y la tarea a realizar. El uso de herramientas eléctricas para trabajos diferentes de aquellos para los que han sido concebidas puede resultar peligroso.
5. Servicio técnico
- a. Haga reparar su herramienta eléctrica sólo por personal técnico autorizado que emplee exclusivamente piezas de repuesto originales. Solamente así se garantiza la seguridad de la herramienta eléctrica.

Advertencias de seguridad adicionales para herramientas eléctricas



¡Atención! Advertencias de seguridad adicionales para lijadoras

- ◆ Sujete la herramienta eléctrica únicamente por las empuñaduras aisladas, porque la cinta pueda tocar su propio cable. Cortar un cable con corriente puede hacer que las partes metálicas al descubierta de la herramienta eléctrica provoquen una descarga al usuario.
- ◆ Utilice mordazas u otra forma práctica para fijar y soportar la pieza de trabajo a una plataforma estable. Sujetar el trabajo a mano o contra su cuerpo hace que pierda estabilidad y puede provocar la pérdida de control.
- ◆ ¡Atención! El contacto o la inhalación de polvo desprendido por aplicaciones de lijado, puede poner en peligro la salud del operario y la de aquellos próximos a usted. Utilice una mascarilla contra el polvo diseñada específicamente para proteger contra el polvo y las emanaciones y asegúrese de que las demás personas que se encuentren dentro de, o que penetren en el área de trabajo, también estén protegidas.
- ◆ Elimine a fondo todo el polvo después de lijar.
- ◆ Tenga especial cuidado cuando lije pinturas que puedan tener contenido de plomo o algunos tipos de maderas y metales que puedan producir polvo tóxico.
  - No permita la entrada de niños ni de mujeres embarazadas al área de trabajo.
  - No ingiera alimentos, beba o fume en la zona de trabajo.
  - Deshágase de las partículas de polvo y demás residuos de un modo seguro.
- ◆ Esta herramienta no está destinada para ser utilizada por personas (niños incluidos) con capacidades físicas, sensoriales o mentales reducidas, o que carezcan de experiencia y conocimiento, a menos que reciban supervisión o instrucción respecto al uso de la misma por una persona responsable de su seguridad. Debe vigilarse a los niños para asegurarse de que no jueguen con el aparato.
- ◆ En este manual de instrucciones se explica el uso previsto. El uso de otros accesorios, adaptadores, o la propia utilización de la herramienta en cualquier forma diferente de las recomendadas en este manual de instrucciones puede constituir un riesgo de lesiones a las personas y/o daños materiales.

Seguridad de otras personas

- ◆ Este aparato no está destinado para ser utilizado por personas (niños incluidos) con capacidades físicas, sensoriales o mentales reducidas, o que carezcan de experiencia y conocimiento, a menos que reciban

supervisión o instrucción respecto al uso del aparato por una persona responsable de su seguridad.

- ◆ Debe vigilarse a los niños para asegurarse de que no jueguen con el aparato.

## Riesgos residuales.

El uso de esta herramienta puede producir riesgos residuales adicionales no incluidos en las advertencias de seguridad adjuntas. Estos riesgos se pueden generar por un uso incorrecto, demasiado prolongado, etc.

El cumplimiento de las normas de seguridad correspondientes y el uso de dispositivos de seguridad no evitan ciertos riesgos residuales. Estos riesgos incluyen:

- ◆ Lesiones producidas por el contacto con piezas móviles o giratorias.
- ◆ Lesiones producidas al cambiar cualquier pieza, cuchilla o accesorio.
- ◆ Lesiones producidas al usar una herramienta por un tiempo demasiado prolongado. Si utiliza una herramienta durante períodos de tiempo demasiado prolongados, asegúrese de realizar pausas con frecuencia.
- ◆ Discapacidad auditiva.
- ◆ Riesgos para la salud producidos al respirar el polvo que se genera al usar la herramienta (por ejemplo: en los trabajos con madera, especialmente de roble, haya y tableros de densidad mediana).

## Vibración

Los valores declarados de emisión de vibración indicados en los datos técnicos y la declaración de conformidad se han medido de acuerdo a un método de prueba estándar contemplado por la EN 60745 y puede utilizarse para comparar una herramienta con otra. El valor declarado de emisión de vibración también puede utilizarse en una evaluación preliminar de exposición.

**¡Atención!** El valor de emisión de vibración durante el uso real de la herramienta eléctrica puede variar del valor declarado en función del modo de utilización de la herramienta. El nivel de vibración puede aumentar por encima del valor indicado.

Cuando se evalúe la exposición a la vibración con el fin de determinar las medidas de seguridad exigidas por la 2002/44/CE para proteger a las personas que utilizan herramientas eléctricas en su empleo con regularidad, una estimación de la exposición a la vibración debe considerar las condiciones reales de uso y la forma en que se utiliza la herramienta, teniendo en cuenta incluso todas las partes del ciclo de trabajo como los momentos en que la herramienta se apaga y cuando está conectada sin funcionar además del tiempo de accionamiento.

## Etiquetas sobre la herramienta

En la herramienta se indican los siguientes pictogramas:



**¡Atención!** Para reducir el riesgo de lesiones, el usuario debe leer el manual de instrucciones.



Acople la bolsa de recogida de polvo o el cartucho de polvo antes de utilizar la herramienta en piezas de trabajo de madera.



Retire la bolsa de recogida de polvo o el cartucho y acople el deflector antes de utilizar la herramienta en piezas de trabajo que contengan metal.

## Seguridad eléctrica



La herramienta lleva un doble aislamiento; por lo tanto no requiere una toma a tierra. Compruebe siempre que el suministro eléctrico corresponda con la tensión indicada en la placa de datos.

- ◆ Si el cable eléctrico está estropeado, debe ser sustituido por el fabricante o un servicio técnico autorizado de Black & Decker con el fin de evitar accidentes.

## Características

La herramienta tiene alguna o todas las características siguientes:

1. Interruptor de encendido/apagado
2. Mando de control de velocidad variable
3. Botón de bloqueo
4. Empuñadura secundaria
5. Palanca tensora de la cinta
6. Mando de colocación de la cinta
7. Brazo recto

## Fig. A

8. Brazo estrecho
9. Brazo acodado

## Fig. D

10. Cartucho para polvo
11. Deflector

## Montaje

**¡Atención!** Antes de proceder al montaje, compruebe que la herramienta está apagada y desenchufada.

## Montaje y desmontaje de los brazos de lijado (fig. A & B)

La herramienta se suministra con los siguientes brazos de lijado:

- ◆ Brazo recto (7), ancho de lijado 13 mm

- ◆ Brazo estrecho (8), ancho de lijado 6 mm, para trabajos difíciles
- ◆ Brazo acodado (9) para el acanalado y lijado en el centro de las piezas y para llegar a los puntos de difícil acceso

Antes de la primera utilización, instale el brazo de lijado en la herramienta.

### Montaje

- ◆ Compruebe que la palanca tensora de la cinta (5) se encuentre en la posición indicada en la ilustración.
- ◆ Afloje y retire el mando de colocación de la cinta (6).
- ◆ Retire la cinta que retiene el muelle (12) (si se encuentra presente).
- ◆ Compruebe que el muelle (12) esté situado en su orificio de montaje.
- ◆ Coloque el brazo según se indica.
- ◆ Instale el mando de colocación de la cinta (6) y apriételo hasta que el brazo (7) quede alineado con la herramienta.

### Desmontaje

- ◆ Retire la cinta lijadora (13) (si se encuentra instalada) del modo descrito más adelante.
- ◆ Afloje y retire el mando de colocación de la cinta (6).
- ◆ Retire el brazo.

¡Atención! Tenga cuidado de no perder el muelle (12).

### Montaje y desmontaje de las cintas lijadoras (fig. B)

¡Atención! El muelle debe estar instalado. Tenga cuidado de no perder el muelle (12).

### Montaje

- ◆ Sitúe la palanca tensora de la cinta (5) en la posición delantera (A).
- ◆ Asegúrese de que las flechas del interior de la cinta lijadora (13) apunten en la misma dirección que las flechas (14) de la carcasa.
- ◆ Coloque la cinta lijadora (13) por encima de la polea delantera (15) y de la polea trasera (16), introduciéndola por la ranura de la carcasa.
- ◆ Sitúe la palanca tensora de la cinta (5) en la posición trasera (B).
- ◆ Ajuste la colocación de la cinta del modo descrito más adelante.

### Desmontaje

- ◆ Sitúe la palanca tensora de la cinta (5) en la posición delantera (A).
- ◆ Saque la cinta lijadora (13) de las poleas.

### Ajuste de la colocación de la cinta lijadora (fig. C)

- ◆ Encienda la herramienta.
- ◆ Gire el mando de colocación de la cinta (6) hasta que la cinta lijadora (13) se desplace recta a lo largo del brazo.

### Montaje y desmontaje del cartucho para polvo (fig. D & F)

¡Atención! Retire siempre el cartucho para polvo y acople el deflector cuando utilice la herramienta en piezas de trabajo metálicas.

- ◆ Acople el cartucho para polvo (10) en la salida de extracción de polvo.
- ◆ Introduzca el elemento en la herramienta y asegúrese de que quede bien fijado.
- ◆ Para extraer el cartucho para polvo, tire de él hacia atrás y hacia fuera del orificio.

### Montaje y desmontaje del deflector (fig. D & E)

¡Atención! El deflector debe utilizarse al lijar piezas de trabajo metálicas.

- ◆ Acople el deflector (11) sobre el orificio de extracción de polvo.
- ◆ Introduzca el deflector en la herramienta y asegúrese de que quede bien fijado.
- ◆ Para extraer el deflector, tire de él hacia atrás y hacia fuera del orificio.

### Uso

¡Atención! Deje que la herramienta funcione a su ritmo. No lo sobrecargue.

### Control de velocidad variable (fig. G)

El control de velocidad variable le permite adaptar la velocidad de la herramienta al material de la pieza que vaya a lijar.

- ◆ Coloque el selector de control (2) en la posición deseada. Para la madera utilice alta velocidad, para la madera chapada y materiales sintéticos velocidad media, y baja velocidad para metales no ferrosos y para eliminar la pintura.

### Encendido y apagado (fig. G)

- ◆ Para encender la herramienta, pulse el interruptor de encendido/apagado (1).
- ◆ Para un funcionamiento continuo, pulse el botón de bloqueo (2) y suelte el interruptor de encendido/apagado (1).
- ◆ Para apagar la herramienta, suelte el interruptor de encendido/apagado (1).
- ◆ Para apagar la herramienta durante el funcionamiento continuo, pulse el interruptor de encendido/apagado (1) una vez más y suéltelo.

### Vaciado del cartucho para polvo (fig. F)

El cartucho para polvo (10) debe vaciarse cada 10 minutos de uso.

- ◆ Tire del cartucho para polvo (10) hacia atrás para sacarlo de la herramienta.
- ◆ Retire la tapa (17) girándola en el sentido contrario a las agujas del reloj.



- ◆ Sujete el cartucho para polvo (10) con el filtro (18) orientado hacia abajo y sacuda el cartucho (10) para vaciar su contenido.
- ◆ Sacuda la tapa (17) para vaciar su contenido.
- ◆ Vuelva a colocar la tapa (17) en el cartucho para polvo (10), girándola en el sentido de las agujas del reloj hasta que encaje en su posición.
- ◆ Vuelva a instalar el cartucho para polvo (10) en la herramienta.

## Limpeza del filtro del cartucho para polvo (fig. F)

¡Atención! No lo cepille ni use aire comprimido, u objetos afilados, para limpiar el filtro. No lave el filtro.

- ◆ El filtro del cartucho para polvo (18) es reutilizable y debe limpiarse periódicamente.
- ◆ Vacíe el cartucho para polvo (10) como se ha descrito anteriormente.
- ◆ Tire del filtro (18) para sacarlo del cartucho para polvo (14).
- ◆ Sacuda el exceso de polvo golpeando el filtro (18) en un cubo de basura.
- ◆ Vuelva a colocar el filtro (18).
- ◆ Acople la tapa (17).
- ◆ Introduzca el cartucho para polvo (10) en la herramienta y asegúrese de que quede bien fijado.

## Aplicaciones especiales (fig. H, I & J)

### Brazo acodado (fig. H)

- ◆ Utilice la sección A para el acanalado o lijado en el centro de las piezas y en los puntos de difícil acceso.
- ◆ Utilice la sección B para las superficies curvas.

### Brazo recto (fig. I)

- ◆ Utilice el brazo normal o estrecho para uso general y para hacer ranuras y juntas.

### Brazo estrecho (fig. J)

- ◆ Utilice el brazo estrecho para los pequeños detalles, para cortar y para tallar.

## Consejos para un uso óptimo

- ◆ Sujete siempre la herramienta con las dos manos.
- ◆ No ejerza demasiada presión sobre la herramienta.
- ◆ Compruebe periódicamente el estado de la cinta lijadora (12). Sustitúyala cuando sea necesario.
- ◆ Lije siempre en el sentido de la veta de la madera.
- ◆ Para lijar capas de pintura nuevas antes de aplicar otra capa, utilice un papel de lija de grano extrafino.
- ◆ En superficies muy desiguales o cuando vaya a quitar capas de pintura, comience con un papel de lija de grano grueso. Sobre otras superficies, comience con un papel de lija de grano medio. En ambos casos, cambie

gradualmente a un papel de lija de grano fino para lograr un buen acabado.

- ◆ Consulte a su proveedor para obtener más información sobre los accesorios que están a la venta.

## Mantenimiento

La herramienta ha sido diseñada para que funcione durante un largo período de tiempo con un mantenimiento mínimo. El funcionamiento satisfactorio continuado depende de un cuidado apropiado y una limpieza periódica de la herramienta.

¡Advertencia! Antes de realizar cualquier tipo de mantenimiento, apague y desenchufe la herramienta.

- ◆ Limpie periódicamente las ranuras de ventilación de la herramienta con un cepillo suave o un paño seco.
- ◆ Limpie periódicamente la carcasa del motor con un paño húmedo. No utilice ninguna sustancia limpiadora abrasiva o que contenga disolventes.

## Protección del medio ambiente



Separación de desechos. Este producto no debe desecharse con la basura doméstica normal.

Si llega el momento de reemplazar su producto Black & Decker o éste ha dejado de tener utilidad para usted, no lo deseche con la basura doméstica normal. Asegúrese de que este producto se deseche por separado.



La separación de desechos de productos usados y embalajes permite que los materiales puedan reciclarse y reutilizarse. La reutilización de materiales reciclados ayuda a evitar la contaminación medioambiental y reduce la demanda de materias primas.

La normativa local puede prever la separación de desechos de productos eléctricos de uso doméstico en centros municipales de recogida de desechos o a través del distribuidor cuando adquiere un nuevo producto.

Black & Decker proporciona facilidades para la recogida y el reciclado de los productos Black & Decker que hayan llegado al final de su vida útil. Para hacer uso de este servicio, devuelva su producto a cualquier servicio técnico autorizado, que lo recogerá en nuestro nombre.

Pueden consultar la dirección de su servicio técnico más cercano poniéndose en contacto con la oficina local de Black & Decker en la dirección que se indica en este manual. Como alternativa, puede consultar en Internet la lista de servicios técnicos autorizados e información completa de nuestros servicios de posventa y contactos en la siguiente dirección: [www.2helpU.com](http://www.2helpU.com)



**Características técnicas**

	KA902E Typ. 1
Voltaje	V <sub>AC</sub> 230
Potencia absorbida	W 400
Velocidad sin carga	min <sup>-1</sup> 900-1.600
Peso	kg 1,6

Nivel de la presión acústica según EN 60745:

Presión acústica (L<sub>pA</sub>) 84 dB(A), incertidumbre (K) 3 dB(A)

Presión acústica (L<sub>WA</sub>) 95 dB(A), incertidumbre (K) 3 dB(A)

Valores totales de vibración (suma de vector triaxial) según EN 60745:

Valor de emisión de vibración (a<sub>v</sub>) 1,7 m/s<sup>2</sup>,  
incertidumbre (K) 1,5 m/s<sup>2</sup>

**Declaración de conformidad CE**

DIRECTIVA SOBRE MÁQUINAS



Black & Decker declara que los productos descritos en "datos técnicos" son conformes con: 2006/42/CE, EN 60745-1, EN 60745-2-4

Si desea información adicional, contacte con Black & Decker en la siguiente dirección o consulte el dorso de este manual.

El abajofirmante es responsable de la compilación del archivo técnico y hace esta declaración en nombre de Black & Decker.

Kevin Hewitt  
Vice-President Global Engineering  
Black & Decker Europe, 210 Bath Road, Slough,  
Berkshire, SL1 3YD  
Reino Unido  
15/03/2010

**Garantía**

Black & Decker confía plenamente en la calidad de sus productos y ofrece una garantía extraordinaria. Esta declaración de garantía es una añadido, y en ningún caso un perjuicio para sus derechos estatutarios. La garantía es válida dentro de los territorios de los Estados Miembros de la Unión Europea y de los de la Zona Europea de Libre Comercio.

Si un producto Black & Decker resultará defectuoso debido a materiales o mano de obra defectuosos o a la falta de conformidad, Black & Decker garantiza, dentro de los 24 meses de la fecha de compra, la sustitución de las piezas defectuosas, la reparación de los productos sujetos a un desgaste y rotura razonables o la sustitución de tales productos para garantizar al cliente el mínimo de inconvenientes, a menos que:

- ◆ El producto haya sido utilizado con propósitos comerciales, profesionales o de alquiler;
- ◆ El producto haya sido sometido a un uso inadecuado o negligente;
- ◆ El producto haya sufrido daños causados por objetos o sustancias extrañas o accidentes;
- ◆ Se hayan realizado reparaciones por parte de personas que no sean los servicios de reparación autorizados o personal de servicios de Black & Decker.

Para reclamar en garantía, será necesario que presente la prueba de compra al vendedor o al servicio técnico de reparaciones autorizado. Pueden consultar la dirección de su servicio técnico más cercano poniéndose en contacto con la oficina local de Black & Decker en la dirección que se indica en este manual. Como alternativa, se puede consultar en Internet, en la dirección siguiente, la lista de servicios técnicos autorizados e información completa de nuestros servicios de postventa y contactos:

[www.2helpU.com](http://www.2helpU.com)

Visite nuestro sitio web [www.blackanddecker.eu](http://www.blackanddecker.eu) para registrar su nuevo producto Black & Decker y mantenerse al día sobre nuestros productos y ofertas especiales. Encontrará información adicional sobre la marca Black & Decker y nuestra gama de productos en [www.blackanddecker.eu](http://www.blackanddecker.eu)

## Utilização

A sua lixadora Black & Decker Powerfile™ foi projectada para lixar madeira, metal, plástico e superfícies pintadas. Esta ferramenta destina-se apenas ao doméstico.

## Instruções de segurança

### Avisos de segurança gerais para ferramentas eléctricas



**Advertência! Leia todos os avisos de segurança e instruções.** O não cumprimento dos avisos e instruções a seguir pode resultar em choque eléctrico, incêndio e/ou graves lesões.

Guarde todos os avisos e instruções para futura referência. O termo "ferramenta eléctrica", utilizado nas advertências que se seguem, refere-se a ferramentas eléctricas com ligação à corrente eléctrica (com fios) ou operadas a pilha (sem fios).

#### 1. Segurança na área de trabalho

- Mantenha a sua área de trabalho limpa e bem iluminada. Desordem ou áreas de trabalho com fraca iluminação podem causar acidentes.
- Não utilize ferramentas eléctricas em áreas com risco de explosão, nas quais se encontrem líquidos, gases ou pós inflamáveis. As ferramentas eléctricas produzem faíscas que podem provocar a ignição de pó e vapores.
- Mantenha crianças e outras pessoas afastadas durante a utilização de ferramentas eléctricas. As distrações podem dar origem a que perca o controlo da ferramenta.

#### 2. Segurança eléctrica

- A ficha da ferramenta eléctrica deve caber na tomada. A ficha não deve ser modificada de modo algum. Não utilize quaisquer fichas de adaptação com ferramentas eléctricas ligadas à terra.** Fichas inalteradas e tomadas adequadas reduzem o risco de choques eléctricos.
- Evite que o corpo entre em contacto com superfícies ligadas à terra, como por exemplo tubos, radiadores, fogões e frigoríficos. Há um risco elevado de choques eléctricos, caso o corpo seja ligado à terra.
- As ferramentas eléctricas não devem ser expostas à chuva nem à humidade. A penetração de água numa ferramenta eléctrica aumenta o risco de choques eléctricos.
- Manuseie o cabo com cuidado. O cabo da ferramenta não deve ser utilizado para o transporte, para puxar a ferramenta, nem para retirar a ficha da tomada. Mantenha o cabo afastado de calor, óleo, cantos afiados ou peças em movimento. Cabos danificados ou torcidos aumentam o risco de choques eléctricos.

- Ao trabalhar com a ferramenta eléctrica ao ar livre, use um cabo de extensão apropriado para utilização no exterior. O uso de um cabo apropriado para utilização no exterior reduz o risco de choques eléctricos.
- Quando a utilização de uma ferramenta eléctrica num local húmido é inevitável, utilize uma fonte de alimentação protegida com um dispositivo de corrente residual (RCD). A utilização de um RCD reduz o risco de choques eléctricos.

#### 3. Segurança pessoal

- Mantenha-se atento, observe o que está a fazer e seja prudente durante a utilização de uma ferramenta eléctrica. Não use a ferramenta eléctrica se estiver cansado ou sob a influência de drogas, álcool ou medicamentos. Um momento de falta de atenção durante a utilização de ferramentas eléctricas pode causar graves lesões.
- Use equipamento de protecção pessoal. Utilize sempre óculos de protecção. A utilização de equipamento de protecção pessoal, como por exemplo, máscara de protecção contra pó, sapatos de segurança anti-derrapantes, capacete de segurança ou protecção auricular, de acordo com o tipo e aplicação da ferramenta eléctrica, reduz o risco de lesões.
- Evite o accionamento involuntário. Certifique-se de que o interruptor está na posição desligada antes de ligar a ferramenta à corrente eléctrica ou a uma bateria, antes de elevar ou transportar a mesma. O transporte de ferramentas eléctricas com o dedo no interruptor ou a ligação das mesmas à corrente eléctrica com o interruptor ligado provoca acidentes.
- Retire eventuais chaves de ajuste ou chaves de fenda, antes de ligar a ferramenta eléctrica. Uma chave de fenda ou chave de ajuste, que se encontre numa peça móvel da ferramenta, pode dar origem a lesões.
- Não se incline. Mantenha-se sempre bem posicionado e em equilíbrio. Desta forma, poderá ser mais fácil controlar a ferramenta em situações inesperadas.
- Utilize vestuário adequado. Não utilize roupas largas nem jóias. Mantenha o cabelo, roupa e luvas afastados de peças em movimento. Roupas largas, jóias ou cabelos longos podem ser ficar presos nas peças em movimento.
- Se for prevista a montagem de dispositivos de extracção e recolha de pó, assegure-se de que estão ligados e que são utilizados de forma correcta. A utilização destes dispositivos reduz os riscos provocados por pó.

#### 4. Utilização e manutenção da ferramenta eléctrica

- Não sobrecarregue a ferramenta eléctrica. Utilize a ferramenta eléctrica correcta para o trabalho que

- irá realizar.** A ferramenta correcta realizará o trabalho de forma melhor e mais segura dentro da potência indicada.
- b. **Não utilize a ferramenta eléctrica se o interruptor não puder ser ligado nem desligado.** Qualquer ferramenta eléctrica que não possa ser controlada através do interruptor é perigosa e deve ser reparada.
  - c. **Desligue a ficha da tomada e/ou a bateria da ferramenta eléctrica antes de efectuar quaisquer ajustes, substituir acessórios ou armazenar a ferramenta eléctrica.** Esta medida de segurança evita que a ferramenta eléctrica seja ligada acidentalmente.
  - d. **Mantenha as ferramentas eléctricas que não estiverem a ser utilizadas fora do alcance de crianças.** Não permita que a ferramenta seja utilizada por pessoas não familiarizadas com a mesma ou que não tenham lido estas instruções. As ferramentas eléctricas são perigosas se utilizadas por pessoas não qualificadas.
  - e. **Efectue a manutenção das ferramentas eléctricas. Verifique se as peças móveis funcionam perfeitamente e não emperram, bem como se há peças quebradas ou danificadas que possam influenciar o funcionamento da ferramenta.** Em caso de danos, solicite a reparação da ferramenta eléctrica antes da sua utilização. Muitos acidentes têm como causa uma manutenção insuficiente das ferramentas eléctricas.
  - f. **Mantenha as ferramentas de corte sempre afiadas e limpas.** As ferramentas de corte, sujeitas a uma manutenção adequada e com extremidades de corte afiadas, emperram com menos frequência e podem ser controladas com maior facilidade.
  - g. **Utilize a ferramenta eléctrica, os acessórios e as brocas da ferramenta etc., de acordo com estas instruções. Considere também as condições de trabalho e o trabalho a ser efectuado.** A utilização da ferramenta eléctrica para outros fins que não os previstos pode resultar em situações perigosas.
5. **Reparação**
- a. **A sua ferramenta eléctrica só deve ser reparada por pessoal qualificado e só devem ser colocadas peças sobressalentes originais.** Desta forma, é assegurada a segurança da ferramenta eléctrica.

### Avisos de segurança adicionais para ferramentas eléctricas



**Advertência!** Avisos de segurança adicionais para lixadoras.

- ◆ **Segure sempre a ferramenta pelas superfícies de pega isoladas ao efectuar trabalhos, porque a cinta possa entrar em contacto com o cabo da ferramenta.** Cortar um cabo com tensão coloca as partes metálicas

da ferramenta eléctrica sob tensão, resultando em choque eléctrico.

- ◆ **Utilize grampos ou outra forma prática de fixar e apoiar a peça de trabalho numa plataforma estável.** Segurar a peça com a mão ou contra o corpo deixa-a instável e poderá resultar em perda de controlo.
- ◆ **Advertência!** O contacto com ou a inalação de pós resultantes de trabalhos de lixamento pode pôr em perigo a saúde do operador e de outras pessoas que se encontrem nas proximidades. Utilize uma máscara para poeiras especificamente desenhada para protecção contra poeiras e vapores e assegure-se de que as pessoas que estão na área de trabalho ou que entrem nesta também estão protegidas.
- ◆ Remova completamente toda a poeira após lixar.
- ◆ Tome cuidado especial quando lixar pintura que possa conter chumbo ou quando lixar madeiras ou metais que possam produzir poeira tóxica:
  - Não permita que crianças ou mulheres grávidas entrem na área de trabalho.
  - Não coma, beba nem fume na área de trabalho.
  - Desfaça-se das partículas de poeira e dos detritos de maneira segura.
- ◆ Esta ferramenta não se destina a ser utilizada por pessoas (incluindo crianças) com reduzidas capacidades físicas, sensoriais ou mentais ou falta de experiência e conhecimentos, a menos que tenham recebido instruções ou sejam supervisionadas relativamente à utilização do aparelho por uma pessoa responsável pela sua segurança. As crianças deverão ser vigiadas para que não mexam no aparelho.
- ◆ Neste manual indicam-se as aplicações do aparelho. O uso de qualquer acessório ou da própria ferramenta para realizar quaisquer operações além das recomendadas neste manual de instruções pode dar origem a ferimentos e/ou danos em propriedade.

### Segurança de outras pessoas

- ◆ Este aparelho não se destina a ser utilizado por pessoas (incluindo crianças) com reduzidas capacidades físicas, sensoriais ou mentais ou falta de experiência e conhecimentos, a menos que tenham recebido instruções ou sejam supervisionadas relativamente à utilização do aparelho por uma pessoa responsável pela sua segurança.
- ◆ As crianças deverão ser vigiadas para que não brinquem no aparelho.

### Riscos residuais.

Podem surgir riscos residuais adicionais durante a utilização da ferramenta que poderão não constar nos avisos de segurança incluídos. Estes riscos podem resultar de má utilização, uso prolongado, etc.

Mesmo com a aplicação dos regulamentos de segurança relevantes e com a implementação de dispositivos de segurança, alguns riscos residuais não podem ser evitados.

Incluem:

- ◆ ferimentos causados pelo contacto com peças em rotação/movimento.
- ◆ ferimentos causados durante a troca de peças, lâminas ou acessórios.
- ◆ ferimentos causados pela utilização prolongada de uma ferramenta. Quando utilizar uma ferramenta por períodos prolongados, faça intervalos regulares.
- ◆ diminuição da audição.
- ◆ problemas de saúde causados pela inalação de poeiras resultantes da utilização da ferramenta (exemplo: trabalhos em madeira, especialmente carvalho, faia e MDF.)

## Vibração

Os valores de emissão de vibrações declarados, indicados nos dados técnicos e na declaração de conformidade, foram medidos de acordo com um método de teste padrão providenciado por EN 60745 e podem ser utilizados para efectuar a comparação entre ferramentas. O valor de emissão de vibrações declarado pode também ser utilizado numa avaliação preliminar da exposição.

**Advertência!** O valor de emissão de vibrações durante a utilização da ferramenta eléctrica pode divergir do valor declarado, dependendo do modo como a ferramenta é utilizada. O nível de vibrações pode aumentar relativamente ao nível indicado.

Durante a avaliação da exposição a fim de determinar as medidas de segurança requeridas pela directiva 2002/44/CE para a protecção de pessoas que utilizam regularmente ferramentas eléctricas nas respectivas profissões, o cálculo da exposição a vibrações deve considerar as condições reais de utilização e a forma como a ferramenta é utilizada, incluindo a consideração de todas as partes do ciclo de utilização como, por exemplo, as vezes que a ferramenta é desligada e o tempo em que se encontra a funcionar sem carga para além do tempo de accionamento.

## Etiquetas da ferramenta

Aparecem os seguintes pictogramas na ferramenta:



**Advertência!** Para reduzir o risco de ferimentos, o utilizador deve ler o manual de instruções.



Coloque o saco de pó ou o compartimento do saco do pó antes de utilizar a ferramenta em peças de madeira.



Retire o saco de pó ou o compartimento do saco do pó e encaixe o deflector antes de utilizar a ferramenta em peças metálicas.

## Segurança eléctrica



Esta ferramenta está duplamente isolada, pelo que não necessita de fio de terra. Certifique-se sempre de que o fornecimento de energia corresponde à tensão indicada na placa de identificação.

- ◆ Se o cabo de alimentação estiver danificado, deverá ser substituído pelo fabricante ou por um Centro de Assistência autorizado pela Black & Decker, de modo a evitar perigos.

## Características

A sua ferramenta inclui algumas ou todas as seguintes características:

1. Interruptor de ligar/desligar
2. Botão de controlo de velocidade variável
3. Botão de bloqueio
4. Punho secundário
5. Alavanca tensora da cinta
6. Parafuso de ajuste da cinta
7. Braço recto

## Fig. A

8. Braço estreito
9. Braço flexível

## Fig. D

10. Compartimento do saco de pó
11. Deflector

## Montagem

**Advertência!** Antes da montagem, certifique-se de que a ferramenta está desligada da corrente eléctrica.

## Colocação e remoção dos braços de lixa (fig. A & B)

A ferramenta é fornecida com os seguintes braços de lixa:

- ◆ Braço recto (7), largura de lixamento de 13 mm
- ◆ Braço estreito (8), largura de lixamento de 6 mm, para trabalhos complexos
- ◆ Braço flexível (9) para aplainar e lixar o centro de peças e para o alcance de áreas confinadas

Antes de utilizar, deve colocar o braço de lixa na ferramenta.

## Colocação

- ◆ Certifique-se de que a alavanca tensora da cinta (5) está na posição indicada.
- ◆ Desaperte e remova o parafuso de ajuste da cinta (6).
- ◆ Remova a fita que segura a mola (12) (caso exista).

- ◆ Verifique se a mola (12) está localizada no respectivo orifício de montagem.
- ◆ Posicione o braço conforme ilustrado.
- ◆ Coloque o botão de ajuste da cinta (6) e aperte-o até que o braço (7) esteja alinhado com a ferramenta.

#### Remoção

- ◆ Remova a cinta de lixa (13) (caso exista) conforme abaixo descrito.
- ◆ Desaperte e remova o parafuso de ajuste da cinta (6).
- ◆ Remova o braço.

**Advertência!** Tenha cuidado para não perder a mola (12).

#### Colocação e remoção das cintas de lixa (fig. B)

**Advertência!** A mola tem de ser instalada. Tenha cuidado para não perder a mola (12).

#### Colocação

- ◆ Mova a alavanca tensora da cinta (5) para a frente (A).
- ◆ Certifique-se de que as setas no interior da cinta de lixa (13) estão viradas na mesma direcção que as setas (14) no compartimento.
- ◆ Coloque a cinta de lixa (13) por cima da polia frontal (15) e da polia traseira (16), deslizando-a através da ranhura.
- ◆ Mova a alavanca tensora da cinta (5) para trás (B).
- ◆ Ajuste o parafuso de ajuste da cinta conforme descrito abaixo.

#### Remoção

- ◆ Mova a alavanca tensora da cinta (5) para a frente (A).
- ◆ Remova a cinta de lixa (13) das polias.

#### Ajuste da cinta de lixa (fig. C)

- ◆ Ligue a ferramenta.
- ◆ Rode o parafuso de ajuste da cinta (6) conforme necessário até que a cinta de lixa (13) se estenda ao longo do comprimento do braço.

#### Colocação e remoção do compartimento do saco de pó (fig. D & F)

**Advertência!** Retire sempre o compartimento do saco de pó e encaixe o deflector antes de utilizar a ferramenta em peças metálicas.

- ◆ Encaixe o compartimento do saco de pó (10) sobre a saída de extracção de pó.
- ◆ Empurre a peça para dentro da ferramenta e certifique-se de que fica devidamente colocada.
- ◆ Para retirar o compartimento do saco de pó, puxe-o para trás até que se desencaixe da saída.

#### Colocação e remoção do deflector (fig. D & E)

**Advertência!** O deflector tem de ser utilizado quando utiliza a ferramenta para lixar peças metálicas.

- ◆ Encaixe o deflector (11) na saída de extracção de pó.
- ◆ Empurre o deflector para dentro da ferramenta e certifique-se de que fica devidamente colocado.
- ◆ Para remover o deflector, puxe-o para trás até que se desencaixe da saída.

#### Utilização

**Advertência!** Deixe que a ferramenta funcione à vontade. Não o sobrecarregue.

#### Controlo de velocidade variável (fig. G)

O controlo de velocidade variável permite adaptar a velocidade da ferramenta ao material a ser trabalhado.

- ◆ Ajuste o botão de controlo (2) conforme o desejado. Utiliza uma velocidade elevada para a madeira, e material sintético, e uma velocidade baixa para metal não ferroso e para remoção de tinta.

#### Como ligar e desligar a ferramenta (fig. G)

- ◆ Para ligar a ferramenta, prima o interruptor de ligar/desligar (1).
- ◆ Para um funcionamento contínuo, prima o botão de bloqueio (2) e liberte o interruptor de ligar/desligar (1).
- ◆ Para desligar a ferramenta, liberte o interruptor de ligar/desligar (1).
- ◆ Para desligar a ferramenta quando em funcionamento contínuo, prima uma vez o interruptor de ligar/desligar (1) e liberte-o.

#### Esvaziamento do compartimento do saco de pó (fig. F)

Deve-se esvaziar o compartimento do saco de pó (10) a cada 10 minutos.

- ◆ Puxe o compartimento do saco de pó (10) para trás até que se desencaixe da ferramenta.
- ◆ Remova a tampa (17) rodando-a para a esquerda.
- ◆ Segure o compartimento do saco de pó (10) com o filtro (18) virado para baixo e sacuda o compartimento (10) para esvaziá-lo.
- ◆ Sacuda a tampa (17) para retirar o conteúdo.
- ◆ Volte a colocar a tampa (17) no compartimento do saco de pó (10), rodando-a para a direita até fixar em posição.
- ◆ Volte a colocar o compartimento do saco de pó (10) na ferramenta.

#### Limpeza do filtro do compartimento do saco de pó (fig. F)

**Advertência!** Não escove nem utilize ar comprimido ou objectos afiados para limpar o filtro. Não lave o filtro.

- ◆ O filtro (18) do compartimento do saco de pó é reutilizável e deve ser limpo regularmente.

- ◆ Esvazie o compartimento do saco de pó (10) como descrito acima.
- ◆ Puxe o filtro (18) para fora do compartimento do saco de pó (14).
- ◆ Retire o excesso de pó batendo levemente com o filtro (18) dentro de um balde do lixo.
- ◆ Volte a colocar o filtro (18).
- ◆ Coloque a tampa (17).
- ◆ Empurre o compartimento do saco de pó (10) para dentro da ferramenta e certifique-se de que fica devidamente colocado.

## Aplicações especiais (fig. H, I & J)

### Braço flexível (fig. H)

- ◆ Utilize a secção A para aplinar ou lixar o centro de peças e áreas confinadas.
- ◆ Utilize a secção B para as superfícies curvas.

### Braço recto (fig. I)

- ◆ Utilize o braço normal ou o estreito em aplicações normais, em ranhuras e para efectuar junções.

### Braço estreito (fig. J)

- ◆ Utilize o braço estreito para detalhes finos, para cortar e para gravar.

## Sugestões para uma melhor utilização

- ◆ Segure sempre a ferramenta com as duas mãos.
- ◆ Não exerça demasiada pressão na ferramenta.
- ◆ Verifique regularmente o estado de conservação da cinta de lixa (12). Substitua-a quando necessário.
- ◆ Lixe sempre com a granulação da madeira.
- ◆ Quando estiver a lixar novas camadas de tinta antes de aplicar outra camada, utilize granulação extrafina.
- ◆ Em superfícies muito irregulares ou para remover camadas de pintura, comece com uma granulação grossa. Em outras superfícies, comece com uma granulação média. Em ambos os casos, troque gradualmente para uma granulação fina para um acabamento liso.
- ◆ Consulte o seu fornecedor para obter mais informação sobre os acessórios disponíveis.

## Manutenção

Esta ferramenta foi desenvolvida para funcionar por um longo período de tempo, com o mínimo de manutenção. O funcionamento contínuo e satisfatório depende de limpeza regular e de manutenção adequada.

**Advertência!** Antes de qualquer procedimento de manutenção, desligue a ferramenta no interruptor e retire a tomada da corrente.

- ◆ Limpe regularmente as fendas de ventilação da ferramenta utilizando uma escova suave ou um pano seco.
- ◆ Limpe regularmente o compartimento do motor utilizando um pano húmido. Não utilize nenhum detergente abrasivo nem à base de solvente.

## Protecção do meio ambiente



Recolha em separado. Não deve deitar este produto fora juntamente com o lixo doméstico normal.

Caso chegue o momento em que um dos seus produtos Black & Decker precise de ser substituído ou decida desfazer-se do mesmo, não o deite fora juntamente com o lixo doméstico. Torne este produto disponível para uma recolha em separado.



A recolha em separado de produtos e embalagens utilizados permite que os materiais sejam reciclados e reutilizados. A reutilização de materiais reciclados ajuda a evitar a poluição ambiental e a reduzir a procura de matérias-primas.

Os regulamentos locais poderão providenciar a recolha em separado de produtos eléctricos junto das casas, em lixeiras municipais ou junto dos fornecedores ao adquirir um novo produto.

A Black & Decker oferece um serviço de recolha e reciclagem de produtos Black & Decker que tenha atingido o fim das suas vidas úteis. Para tirar proveito deste serviço, devolva seu produto a qualquer agente de reparação autorizado, que se encarregará de recolher o equipamento em nosso nome.

Para verificar a localização do agente de reparação mais próximo de si, contacte o escritório local da Black & Decker no endereço indicado neste manual. Se preferir, consulte a lista de agentes autorizados da Black & Decker e os dados completos dos nossos serviços de atendimento pós-venda na Internet no endereço: [www.2helpU.com](http://www.2helpU.com)

**Dados técnicos**

	KA902E
Voltagem	$V_{AC}$ 230
Potência	W 400
Velocidade sem carga	$\text{min}^{-1}$ 900-1.600
Peso	kg 1,6

Nível de pressão de ruído segundo a EN 60745:

Pressão acústica ( $L_{pA}$ ) 84 dB(A), imprecisão (K) 3 dB(A)

Potência acústica ( $L_{WA}$ ) 95 dB(A), imprecisão (K) 3 dB(A)

Valores totais de vibração (soma vectorial triaxial) segundo a EN 60745:

Valor de emissão de vibrações ( $a_h$ ) 1,7  $\text{m/s}^2$ ,  
imprecisão (K) 1,5  $\text{m/s}^2$

**Declaração de conformidade CE**

DIRECTIVA MÁQUINAS



A Black & Decker declara que os produtos descritos na secção "dados técnicos" se encontram em conformidade com:

Directiva 2006/42/CE, EN 60745-1, EN 60745-2-4

Para obter mais informações, queira contactar a Black & Decker através do endereço que se segue ou indicado no verso do manual.

O signatário é responsável pela compilação do ficheiro técnico e apresenta esta declaração em nome da Black & Decker.

Kevin Hewitt

Vice-presidente do Departamento de Engenharia Global  
Black & Decker Europe, 210 Bath Road, Slough,  
Berkshire, SL1 3YD  
Reino Unido  
15/03/2010

**Garantia**

A Black & Decker confia na qualidade de seus produtos e oferece um programa de garantia excelente. Esta declaração de garantia soma-se aos seus direitos legais e não os prejudica em nenhum aspecto. A garantia será válida nos territórios dos Estados Membros da União Europeia e na Área de Livre Comércio da Europa.

Caso algum produto da Black & Decker apresente avarias devido a defeitos de material, mão-de-obra ou ausência de conformidade no prazo de 24 meses a partir da data de compra, a Black & Decker garantirá a substituição das peças defeituosas, a reparação dos produtos que foram submetidos a uso adequado e remoção ou substituição dos mesmos para assegurar o mínimo de inconvenientes ao cliente a menos que:

- ◆ O produto tenha sido utilizado para fins comerciais, profissionais ou aluguer;
- ◆ O produto tenha sido submetido a uso incorrecto ou descuido;
- ◆ O produto tenha sofrido danos causados por objectos estranhos, substâncias ou acidentes;
- ◆ Tenha um histórico de reparações efectuadas por terceiros que não sejam os agentes autorizados ou profissionais de manutenção da Black & Decker.

Para activar a garantia, será necessário enviar a prova de compra ao revendedor ou agente de reparação autorizado.

Para verificar a localização do agente de reparação mais próximo de si contacte o escritório local da Black & Decker no endereço indicado neste manual. Se preferir, consulte a lista de agentes autorizados da Black & Decker e os dados completos de nossos serviços de atendimento pós-venda na Internet no endereço: [www.2helpU.com](http://www.2helpU.com)

Visite o nosso website [www.blackanddecker.eu](http://www.blackanddecker.eu) para registar o seu novo produto Black & Decker e para se manter actualizado sobre novos produtos e ofertas especiais. Estão disponíveis mais informações sobre a Black & Decker e sobre a nossa gama de produtos em [www.blackanddecker.eu](http://www.blackanddecker.eu)



## Användningsområde

Denna Black & Decker Powerfile™ slipmaskin är avsedd för slipning av trä, metall, plast och målade ytor. Verktuget är endast avsett som konsumentverktyg.

## Säkerhetsregler

### Allmänna säkerhetsvarningar för motordrivna verktyg



**Varning! Läs alla säkerhetsvarningar och alla anvisningar. Fel som uppstår till följd av att varningarna och anvisningarna nedan inte följts kan orsaka elchock, brand och/eller allvarliga kroppsskador.**

Spara alla varningar och anvisningar för framtida referens. Nedan begrepp lverktyg hänför sig till nätdrivna elverktyg (med nätsladd) och till batteridrivna elverktyg (sladdlösa).

#### 1. Säkerhet för arbetsområdet

- Håll arbetsplatsen ren och välbelyst. Ordning på arbetsplatsen och dåligt belyst arbetsområde kan leda till olyckor.
- Använd inte elverktuget i explosionsfarlig omgivning med brännbara vätskor, gaser eller damm. Elverktügen alstrar gnistor som kan antända dammet eller gaserna.
- Håll under arbetet med elverktuget barn och obehöriga personer på betryggande avstånd. Om du störs av obehöriga personer kan du förlora kontrollen över elverktuget.

#### 2. Elsäkerhet

- Elverktugets stickkontakt måste passa i vägguttaget. Ändra aldrig stickkontakten på något sätt. Använd inte adapterkontakter tillsammans med skyddsjordade elverktyg. Oförändrade stickkontakter och passande vägguttag minskar risken för elchock.
- Undvik kroppskontakt med jordade ytor som t.ex. rör, värmeelement, spisar och kylskåp. Det finns en större risk för elchock om din kropp är jordad.
- Skydda elverktuget mot regn och väta. Tränger vatten in i ett elverktyg ökar risken för elchock.
- Misshandla inte nätsladden. Använd inte sladden för att bära eller hänga upp elverktuget och inte heller för att dra stickproppen ur vägguttaget. Håll nätsladden på avstånd från värme, olja, skarpa kanter och rörliga maskindelar. Skadade eller tilltrasslade sladdar ökar risken för elchock.
- Använd endast förlängningssladdar som är godkända för utomhusbruk när du arbetar med ett elverktyg utomhus. Om en förlängningssladd avsedd för utomhusbruk används minskar risken för elchock.

- Om man måste använda ett elverktyg på en fuktig plats bör man använda ett uttag som skyddats med en restströmsanordning (RCD). Vid användning av en restströmsanordning (RCD) minskar risken för elektriska stötar.

#### 3. Personlig säkerhet

- Var uppmärksam, se på vad du gör och använd elverktuget med förnuft. Använd inte elverktuget när du är trött eller om du är påverkad av droger, alkohol eller mediciner. Under användning av elverktyg kan ett ögonblicks bristande uppmärksamhet leda till allvarliga kroppsskador.
- Använd personlig skyddsutrustning. Bär alltid skyddsglasögon.** Den personliga skyddsutrustningen, som t.ex. dammfiltermask, halkfria skyddsskor, hjälm eller hörselskydd, som bör användas under de gällande omständigheterna minskar risken för kroppsskada.
- Undvik att verktuget startas av misstag. Kontrollera att strömställaren står i läge från innan du ansluter till vägguttaget och/eller batteripaketet, lyfter upp eller bär verktuget. Det kan vara mycket farligt att bära ett elverktyg med fingret på strömbrytaren eller koppla det till nätet med strömbrytaren på.
- Ta bort alla inställningsverktyg och skruvnycklar innan du startar elverktuget. Ett verktyg eller en nyckel i en roterande komponent kan medföra kroppsskada.
- Sträck dig inte för långt. Se till att du alltid har säkert fotfäste och balans. På så sätt kan du lättare kontrollera elverktuget i oväntade situationer.
- Bär lämplig klädsel. Bär inte löst hängande kläder eller smycken.** Håll hår, kläder och handskar undan från rörliga delar. Löst hängande kläder, smycken och långt hår kan dras in av roterande delar.
- Om elverktuget är utrustat med dammsugnings- och -uppsamlingsutrustning, kontrollera att dessa anordningar är rätt monterade och att de används på korrekt sätt. Dammuppsamling minskar riskerna för dammrelaterade olyckor.

#### 4. Bruk och skötsel av elverktyg

- Överbelasta inte elverktuget. Använd rätt elverktyg för det aktuella arbetet. Med ett lämpligt elverktyg kan du arbeta bättre och säkrare inom angivet effektområde.
- Ett elverktyg med defekt strömbrytare får inte användas. Ett elverktyg som inte kan kopplas till eller från är farligt och måste repareras.
- Dra ut stickkontakten ur vägguttaget och/eller batteripaketet ur det motordrivna verktyget innan inställningar utförs, tillbehörsdelar byts ut eller det motordrivna verktyget ställs undan. Denna skyddsåtgärd förhindrar oavsiktlig inkoppling av elverktuget.



- d. Förvara elverktygen oåtkomliga för barn. Låt inte elverktyget användas av personer som inte är förtrogna med dess användning eller inte läst denna anvisning. Elverktyg är farliga om de används av oerfarna personer.
- e. Sköt elverktyget omsorgsfullt. Kontrollera att rörliga komponenter fungerar felfritt och inte kärvar, att komponenter inte brustit eller skadade och inget annat föreligger som kan påverka elverktygets funktioner. Låt skadade delar repareras innan elverktyget används på nytt. Många olyckor orsakas av dåligt skötta elverktyg.
- f. Håll skärverktyg skarpa och rena. Omsorgsfullt skötta skärverktyg med skarpa eggar fastnar inte så lätt och går lättare att styra.
- g. Använd det motordrivna verktyget, tillbehör och insatsverktyg etc. enligt dessa anvisningar. Ta hänsyn till arbetsvillkoren och arbetsmomenten. Används elverktyget på icke ändamålsenligt sätt kan farliga situationer uppstå.
5. Service
- a. **Låt endast elverktyget repareras av kvalificerad fackpersonal och med originalreservdelar.** Detta garanterar att elverktygets säkerhet bibehålls.

## Extra säkerhetsvarningar för motordrivna verktyg



**Varning!** Tillkommande säkerhetsvarningar för slipmaskiner

- ◆ Håll elverktyget endast vid de isolerade handtagen, eftersom bandet kan skada egen nätsladd. Skärning en spänningsförande ledning sätts verktygets metalldelar under spänning vilket kan leda till elektriska stötar.
- ◆ Använd klämmor eller något annat praktiskt sätt för att fästa och stödja arbetsstycket på ett stabilt underlag. Om man håller arbetsstycket med handen eller mot kroppen blir det instabilt och man kan riskera att förlora kontrollen över det.
- ◆ **Varning!** Kontakt med eller inandning av damm som uppkommer vid slipningsarbeten kan vara hälsovådligt för användaren och andra i närheten. Använd en specialkonstruerad ansiktsmask som skyddar mot damm eller ångor, samt se till att personer som vistas på, eller kommer i närheten av arbetsplatsen också är skyddade.
- ◆ Var noga med att ta bort allt slipdamm när slipningen har avslutats.
- ◆ Var speciellt försiktig när du slipar bort färg som eventuellt innehåller bly eller vid slipning av trä- och metallmaterial som kan ge giftigt slipdamm.
  - Låt aldrig barn eller gravida kvinnor vistas på arbetsplatsen.

- Ät, drick eller rök inte på arbetsplatsen.
- Släng damm och annat avfall på miljösäker plats.
- ◆ Verktyget är inte avsett att användas av personer (inklusive barn) med försvagade fysiska, sensoriska eller mentala förmågor, eller som saknar erfarenhet och kunskaper, om de inte får övervakning eller undervisning i användning av apparaten av någon som ansvarar för deras säkerhet. Håll uppsyn så att inga barn leker med apparaten.
- ◆ Verktygets avsedda bruk beskrivs i denna bruksanvisning. Bruk av tillbehör eller tillsatser, eller utförande av någon verksamhet med detta verktyg, som inte rekommenderas i denna bruksanvisning kan innebära risk för personskada och/eller skada på egendom.

## Andra personers säkerhet

- ◆ Apparaten är inte avsedd att användas av personer (inklusive barn) med försvagade fysiska, sensoriska eller mentala förmågor, eller som saknar erfarenhet och kunskaper, om de inte får övervakning eller undervisning i användning av apparaten av någon som ansvarar för deras säkerhet.
- ◆ Håll uppsyn så att inga barn leker med apparaten.

## Övriga risker.

Ytterligare risker som inte finns med i de bifogade säkerhetsföreskrifterna kan uppstå när verktyget används. Dessa risker kan uppstå vid felaktig eller långvarig användning, etc.

Även om alla relevanta säkerhetsföreskrifter följs och säkerhetsanordningar används kan vissa ytterligare risker inte undvikas. Dessa innefattar:

- ◆ Skador orsakade av att roterande/rörliga delar vidrörs.
- ◆ Skador som uppstår vid byte av delar, blad eller tillbehör.
- ◆ Skador som orsakas av långvarig användning av ett verktyg. Se till att ta regelbundna raster när du använder ett verktyg under en längre period.
- ◆ Skador på hörseln.
- ◆ Hälsofaror orsakade av inandning av damm när verktyget används (exempel: arbete med trä, särskilt ek, bok och MDF.)

## Skakas

De angivna vibrationsemissionsvärdena i tekniska data / försäkran om överensstämmelse har uppmätts enligt en standardtestmetod som tillhandahålls av EN 60745 och kan användas för att jämföra olika verktyg med varandra.

De angivna vibrationsemissionsvärdena kan även användas för en preliminär beräkning av exponering.

**Varning!** Vibrationsemissionsvärdet under faktisk användning av elverktuget kan skilja sig från det angivna värdet beroende på hur verktuget används. Vibrationsnivån kan överstiga den angivna nivån.

Vid beräkning av vibrationsexponering för att bestämma säkerhetsåtgärder enligt 2002/44/EG för att skydda personer som regelbundet använder elverktyg i arbetet, bör en beräkning av vibrationsexponeringen ta med i beräkningen de faktiska användningsförhållandena och sättet verktuget används, inkluderande att man tar med i beräkningen alla delar av användningscykeln, förutom själva "avtryckartiden" även t.ex. när verktuget är avstängt och när det går på tomgång.

## Märken på verktuget

Följande symboler finns på verktuget:



**Varning!** För att minska risken för skador måste användaren läsa igenom bruksanvisningen.



Montera damppåsen eller dammkassetten innan verktuget används till arbetsstycken av trä.



Ta bort damppåsen eller dammkassetten och montera avledaren innan verktuget används till arbetsstycken med metall.

## Elsäkerhet



Eftersom verktuget är dubbelisolerat behövs ingen jordledare. Kontrollera alltid att nätspänningen överensstämmer med värdet på märkplåten.

- ♦ Om nätsladden är skadad måste den bytas ut av tillverkaren eller en godkänd Black & Deckerserviceverkstad för att undvika en risksituation.

## Detaljbeskrivning

Verktuget har några eller samtliga av följande funktioner:

1. Strömbrytare
2. Ratt för variabel hastighet
3. Låsknapp
4. Stödhandtag
5. Bandspännare
6. Bandstyrknapp
7. Rak arm

## Fig. A

8. Smal arm
9. Vinklad arm

## Fig. D

10. Dammkassetten
11. Avledare

## Montering

**Varning!** Se till att verktuget är avstängt samt att det inte är anslutet innan monteringen börjar.

## Montering och borttagning av slipbandsarmar (fig. A & B)

Verktuget är försett med följande slipbandsarmar:

- ♦ Rak arm (7), slibbredd 13 mm
- ♦ Smal arm (8), slibbredd 6 mm, för detaljerade arbeten.
- ♦ Vinklad arm (9) för att göra spår, mönster etc. mitt på arbetsstycket eller för att komma åt i trånga utrymmen.

Innan du använder verktuget första gången måste du montera slipbandsarmen.

## Montering

- ♦ Se till att bandspännaren (5) är i det läge som bilden visar.
- ♦ Lossa och ta ut bandstyrknappen (6).
- ♦ Ta bort tejen som håller fast fjädern (12) (om det finns någon tejp).
- ♦ Se till att fjädern (12) sitter i sitt monteringshål.
- ♦ Sätt i armen som bilden visar.
- ♦ Sätt i bandstyrknappen (6) och dra åt den tills armen (7) är i linje med verktuget.

## Borttagning

- ♦ Ta bort slipbandet (13) (om det finns) enligt nedanstående beskrivning.
- ♦ Lossa och ta ut bandstyrknappen (6).
- ♦ Ta bort armen.

**Varning!** Se noga till att inte fjädern (12) kommer bort.

## Montering och borttagning av slipband (fig. B)

**Varning!** Fjädern måste vara monterad. Se noga till att inte fjädern (12) kommer bort.

## Montering

- ♦ Dra bandspännaren (5) till det främre läget (A).
- ♦ Se till att pilarna på insidan av slipbandet (13) pekar åt samma håll som pilarna (14) på kåpan.
- ♦ Lägg slipbandet (13) över den främre rullen (15) och den bakre rullen (16), och dra det genom öppningen på verktuget.
- ♦ Dra bandspännaren (5) till det bakre läget (B).
- ♦ Justera bandstyrknappen enligt nedanstående beskrivning.

## Borttagning

- ♦ Dra bandspännaren (5) till det främre läget (A).
- ♦ Dra av slipbandet (13) från rullarna.

### Justering av slipbandets styrning (fig. C)

- ◆ Starta verktyget.
- ◆ Vrid bandstyrknappen (6) tills slipbandet (13) löper rakt och jämnt utmed armens hela längd.

### Montering och borttagning av dammkassetten (fig. D & F)

Varning! Ta alltid bort dammkassetten och montera avledaren innan verktyget används till arbetsstycken med metall.

- ◆ Sätt dit dammkassetten (10) över dammutsuget.
- ◆ Skjut på delen på verktyget och se till att den sitter fast ordentligt.
- ◆ Ta bort dammkassetten genom att dra den bakåt och ta av den från dammutsuget.

### Montering och borttagning av avledaren (fig. D & E)

Varning! Avledaren måste användas vid slipning av arbetsstycken med metall.

- ◆ Sätt dit avledaren (11) över dammutsuget.
- ◆ Skjut på avledaren på verktyget och se till att den sitter fast ordentligt.
- ◆ Ta bort dammpåsen genom att dra den bakåt och ta av den från dammutsuget.

### Användning

Varning! Överbelasta inte maskinen, låt den arbeta i sin egen takt.

### Variabel hastighetskontroll (fig. G)

Du kan anpassa verktygets hastighet till det material som ska slipas med den variabla hastighetskontrollen.

- ◆ Ställ kontrollknappen (2) i önskat läge. Använd höga hastigheter för trä, mellanhastigheter för faner och syntetmaterial, och låga hastigheter för icke-järnmetaller och för att ta bort målarfärg.

### Start och stopp (fig. G)

- ◆ Tryck på strömbrytaren (1) för att starta verktyget.
- ◆ Tryck in spärrknappen (2) och släpp strömbrytaren (1) om du vill att verktyget ska gå hela tiden.
- ◆ Släpp strömbrytaren (1) för att stänga av verktyget.
- ◆ För att stoppa verktyget när det är inställt på kontinuerlig gång så trycker du en gång till på strömbrytaren (1), och släpper den sedan.

### Tömning av dammkassetten (fig. F)

Töm dammkassetten (10) var 10:e minut när du arbetar med verktyget.

- ◆ Dra dammkassetten (10) bakåt och ta av den från verktyget.
- ◆ Ta bort locket (17) genom att vrida det moturs.
- ◆ Håll dammkassetten (10) med filtret (18) nedåt och skaka kassetten (10) så att innehållet töms ut.

- ◆ Skaka locket (17) för att tömma innehållet.
- ◆ Sätt tillbaka locket (17) på dammkassetten (10), och vrid det medurs tills det låses fast.
- ◆ Sätt tillbaka dammkassetten (10) på verktyget.

### Rengöring av dammkassetten (fig. F)

Varning! Rengör aldrig filtret med borste, tryckluft eller vassa föremål. Tvätta aldrig filtret.

- ◆ Dammkassetten (18) kan återanvändas och ska rengöras regelbundet.
- ◆ Töm dammkassetten (10) enligt beskrivningen ovan.
- ◆ Drag av filtret (18) från dammkassetten (14).
- ◆ Skaka av dammet genom att slå filtret (18) försiktigt mot insidan av en soptunna.
- ◆ Sätt tillbaka filtret (18).
- ◆ Sätt dit locket (17).
- ◆ Skjut på dammkassetten (10) på verktyget och se till att den sitter fast ordentligt.

### Särskilda tillbehör (fig. H, I & J)

#### Vinklad arm (fig. H)

- ◆ Använd del A för att göra spår eller slipa mitt på arbetsstycket eller för att komma åt i trånga utrymmen.
- ◆ Använd del B för svängda ytor.

#### Rak arm (fig. I)

- ◆ Använd den normala eller den smala armen för vanliga arbeten, för att göra spår och fogar.

#### Smal arm (fig. J)

- ◆ Använd den smala armen för detaljerade arbeten, skär- och snideriarbeten.

### Råd för bästa resultat

- ◆ Håll alltid säkert i verktyget med båda händerna.
- ◆ Tryck inte för hårt på verktyget.
- ◆ Kontrollera slipbandets (12) skick regelbundet. Byt slipband vid behov.
- ◆ Slipa alltid i verkets fiberriktning.
- ◆ Använd extra finornigt slipband mellan strykningarna av nymålade ytor.
- ◆ På mycket ojämna ytor eller vid borttagning av flera färglager bör ett grovkornigt slippapper användas i början. På andra ytor startas slipningen med medelgrovt slippapper. I båda fallen bör ett finornigare slippapper användas efter hand för att uppnå en jämn och slät yta.
- ◆ Kontakta din återförsäljare för mer information om tillgängliga tillbehör.

## Skötsel

Ditt verktyg har tillverkats för att fungera under lång tid med ett minimum av underhåll. Med rätt underhåll och regelbunden rengöring behåller verktyget sin prestanda.

**Varning!** Stäng av verktyget och dra ut sladden innan du påbörjar underhåll och skötsel.

- ◆ Rengör regelbundet verktygets luftintag med en mjuk borste eller torr trasa.
- ◆ Rengör kåpan regelbundet med en fuktig trasa. Använd aldrig rengöringsmedel med lösnings- eller slipmedel.

## Miljöskydd



Särskild insamling. Denna produkt får inte kastas bland vanliga hushållssopor.

Om du någon gång i framtiden behöver ersätta din Black & Decker-produkt med en ny, eller inte längre behöver den, ska du inte kasta den i hushållssoporna. Denna produkt skall lämnas till särskild insamling.



Efter insamling av använda produkter och förpackningsmaterial kan materialen återvinnas och användas på nytt. Användning av återvunna material skonar miljön och minskar förbrukningen av råvaror.

Enligt lokal lagstiftning kan det förekomma särskilda insamlingar av uttjänt elutrustning från hushåll, antingen vid kommunala miljöstationer eller hos detaljhandlaren när du köper en ny produkt.

Black & Decker erbjuder en samlings- och återvinningstjänst för Black & Decker-produkter när de en gång har tjänat ut. För att använda den här tjänsten lämnar du in produkten till en auktoriserad B & D -reparatör/representant som tar hand om den för din räkning.

Närmaste auktoriserad Black & Decker-representant finner du genom det lokala Black & Decker-kontoret på adressen i den här manualen. Annars kan du söka på Internet, på listan över auktoriserade Black & Decker-representanter och alla uppgifter om vår kundservice och andra kontakter [www.2helpU.com](http://www.2helpU.com)

## Tekniska data

	KA902E Typ. 1
Spänning	V <sub>AC</sub> 230
Ineffekt	W 400
Obelastad hastighet	min <sup>-1</sup> 900-1.600
Vikt	kg 1,6

Bullernivå, uppmätt enligt EN 60745:

Bullernivå (L<sub>WA</sub>) 84 dB(A), avvikelse (K) 3 dB(A)

Ljudeffekt (L<sub>WA</sub>) 95 dB(A), avvikelse (K) 3 dB(A)

Vibrationens totala värde (treaxelvektorsumma) bestämd enligt EN 60745:

Vibrationsemissionsvärde (a<sub>h</sub>) 1,7 m/s<sup>2</sup>, avvikelse (K) 1,5 m/s<sup>2</sup>

## EC-förklaring om överensstämmelse

MASKINDIREKTIVET



KA902E

Black & Decker deklarerar att dessa produkter, beskrivna under "tekniska data", är tillverkade i överensstämmelse med: 2006/42/EG, EN 60745-1, EN 60745-2-4

För mer information, vänligen kontakta Black & Decker på följande adress eller den som anges på handbokens baksida.

Undertecknad är ansvarig för sammanställningen av den tekniska filen och gör denna försäkran som representant för Black & Decker.

Kevin Hewitt

Vice-President Global Engineering  
Black & Decker Europe, 210 Bath Road, Slough,  
Berkshire, SL1 3YD  
Storbritannien  
15/03/2010

## Reservdelar / reparationer

Reservdelar finns att köpa hos auktoriserade Black & Decker verkstäder, som även ger kostnadsförslag och reparerar våra produkter.

Förteckning över våra auktoriserade verkstäder finns på Internet, vår hemsida [www.blackanddecker.se](http://www.blackanddecker.se) samt [www.2helpU.com](http://www.2helpU.com)

## Garanti

Black & Decker garanterar att produkten är fri från material- och/eller fabrikationsfel vid leverans till kund. Garantin är i tillägg till konsumentens lagliga rättigheter och påverkar inte dessa. Garantin gäller inom medlemsstaterna i Europeiska Unionen och i det Europeiska Frihandelsområdet.

Om en Black & Decker produkt går sönder på grund av material- och/eller fabrikationsfel eller brister i överensstämmelse med specifikationen, inom 24 månader från köpet, åtar sig Black & Decker att reparera eller byta ut produkten med minsta besvär för kunden.

Garantin gäller inte för fel som beror på:

- ◆ normalt slitage
- ◆ felaktig användning eller skötsel
- ◆ att produkten skadats av främmande föremål, ämnen eller genom olyckshändelse

Garantin gäller inte om reparation har utförts av någon annan än en auktoriserad Black & Decker verkstad.

För att utnyttja garantin skall produkten och inköpskvittot lämnas till återförsäljaren eller till en auktoriserad verkstad senast 2 månader efter det att felet har upptäckts. För information om närmaste auktoriserad verkstad; kontakta det lokala Black & Decker kontoret på den adress som är angiven i bruksanvisningen. En lista på alla auktoriserade verkstäder samt servicevillkor finns även tillgängligt på Internet, adress: [www.2helpU.com](http://www.2helpU.com)

Besök vår webbplats [www.blackanddecker.se](http://www.blackanddecker.se) för att registrera din nya Black & Decker-produkt samt för att erhålla information om nya produkter och specialerbjudanden. Vidare information om märket Black & Decker och vårt produktsortiment kan återfinnas på [www.blackanddecker.se](http://www.blackanddecker.se)

## Bruksområder

Din Black & Decker Powerfile™ slipemaskin er beregnet på sliping av tre, metall, plastmaterialer og malte flater.

Verktøyet er tiltenkt kun som konsumentverktøy.

## Sikkerhetsinstruksjoner

### Generelle sikkerhetsadvarsler for elektroverktøy



**Advarsel!** Les alle sikkerhetsadvarsler og alle instruksjoner. Hvis advarsler og instruksjoner ikke følges, kan det medføre elektrisk støt, brann og/eller alvorlige skader.

Ta vare på alle advarsler og instruksjoner for fremtidige oppslag. Uttrykket «elektroverktøy» i alle advarslene nedenfor gjelder for strømndrevne elektroverktøy (med ledning) og batteridrevne elektroverktøy (uten ledning).

#### 1. Sikkerhet i arbeidsområdet

- Hold arbeidsområdet rent og godt opplyst. Rotete arbeidsområder med dårlig belysning kan føre til ulykker.
- Ikke arbeid med elektroverktøy i eksplosjonsfarlige omgivelser hvor det finnes brennbare væsker, gass eller støv. Elektroverktøy forårsaker gnister som kan antenne støv eller røyk.
- Hold barn og andre personer unna når elektroverktøyet brukes. Hvis du blir forstyrret under arbeidet, kan du miste kontrollen.

#### 2. Elektrisk sikkerhet

- Støpselet til elektroverktøyet må passe inn i stikkkontakten. Støpselet må ikke forandres på noen som helst måte. Ikke bruk adapterstøpsler sammen med jordete elektroverktøy. Bruk av originale støpsler og passende stikkontakter reduserer risikoen for elektrisk støt.
- Unngå kroppskontakt med jordete overflater som rør, radiatorer, komfyrer og kjøleskap. Det er større fare for elektrisk støt hvis kroppen din er jordet.
- Utsett ikke elektroverktøy for regn eller fuktighet. Dersom det kommer vann i et elektroverktøy, øker risikoen for elektrisk støt.
- Unngå uforvarlig behandling av ledningen. Elektroverktøyet må aldri bæres eller trekkes etter ledningen, og trekk heller ikke ut støpselet ved å rykke i ledningen. Hold ledningen unna varme, olje, skarpe kanter eller bevegelige deler. Med skadde eller sammenflokete ledninger øker risikoen for elektrisk støt.
- Når du arbeider utendørs med et elektroverktøy, må du kun bruke en skjøteledning som er godkjent til utendørs bruk. Ved å bruke en skjøteledning som er egnet for utendørs bruk, reduseres risikoen for elektrisk støt.

- Hvis du må bruke et elektrisk verktøy på et fuktig sted, må du bruke en forsyning som er beskyttet med en reststrømsanordning (RCD). Bruk av en RCD reduserer risikoen for støt.

#### 3. Personssikkerhet

- Vær oppmerksom, pass på hva du gjør og vis fornuft når du arbeider med et elektroverktøy. Ikke bruk elektroverktøy når du er trett eller er påvirket av narkotika, alkohol eller medikamenter. Et øyeblikks uoppmerksomhet under bruk av verktøyet kan føre til alvorlige personskader.
  - Bruk personlig verneutstyr. Bruk alltid vernebriller.** Verneutstyr som støvmaske, sko med gode såler, hjelm og hørselsvern bør brukes for å redusere risikoen for personskade.
  - Unngå utilsiktet oppstart. Påse at bryteren er i av-stilling før du kople til strøm og/eller batteripakke, plukker opp eller bærer verktøyet. Hvis du bærer et elektrisk verktøy med fingeren på bryteren, eller hvis du setter strøm på et verktøy som har bryteren slått på, inviterer du til ulykker.
  - Fjern innstillingsverktøy eller skrunøkler før du slår på elektroverktøyet. Et verktøy eller en nøkkel som befinner seg i en roterende del kan føre til personskade.
  - Ikke strekk deg for langt. Pass på at du alltid har sikkert fotfeste og god balanse. Da kan du kontrollere elektroverktøyet bedre i uventede situasjoner.
  - Bruk alltid egnede klær. Ikke bruk løstsittende klær eller smykker.** Hold hår, klær og hansker unna bevegelige deler. Løstsittende klær, smykker eller langt hår kan komme inn i bevegelige deler.
  - Hvis det kan monteres støvavsug- og oppsamlingsinnretninger, må du forvisse deg om at disse er tilkoblet og brukes på riktig måte. Bruk av støvavsug reduserer farer i forbindelse med støv.
- Aktsom håndtering og bruk av elektroverktøy
    - Ikke bruk makt på elektroverktøyet. Bruk et elektroverktøy som er beregnet på den type arbeid du vil utføre. Med et passende elektroverktøy arbeider du bedre og sikrere i det angitte effektområdet.
    - Ikke bruk elektroverktøyet hvis det ikke lar seg slå på og av med bryteren. Et elektroverktøy som ikke kan kontrolleres med bryteren er farlig og må repareres.
    - Trekk støpselet ut av stikkkontakten og/eller kople fra batteripakken før du utfører innstillinger på et elektrisk verktøy, skifter tilbehør eller legger verktøyet bort. Disse tiltakene reduserer risikoen for en utilsiktet start av elektroverktøyet.
    - Elektroverktøy som ikke er i bruk må oppbevares utilgjengelig for barn. Ikke la verktøyet brukes av personer som ikke er fortrolig med det eller som ikke

- har lest disse bruksanvisningene. Elektroverktøy er farlige når de brukes av uerfarne personer.
- e. Vær nøye med vedlikehold av elektroverktøy. Kontrollør om bevegelige deler fungerer feilfritt og ikke klemmes fast, om deler er brukket eller skadet og andre forhold som kan innvirke på elektroverktøys funksjon. Hvis elektroverktøyet er skadet, må det repareres før bruk. Dårlig vedlikeholdte elektroverktøy er årsaken til mange uhell.
  - f. Hold skjæreverktøy skarpe og rene. Godt vedlikeholdte skjæreverktøy med skarpe egger setter seg ikke så ofte fast og er lettere å føre.
  - g. **Bruk elektroverktøy, tilbehør, bor osv. i henhold til disse instruksjonene. Ta hensyn til arbeidsforholdene og arbeidet som skal utføres.** Bruk av elektroverktøy til andre formål enn det som er angitt, kan føre til farlige situasjoner.
5. Service
- a. **Elektroverktøyet ditt skal alltid repareres av kvalifisert personell og kun med originale reservedeler.** Dette sikrer at elektroverktøys sikkerhet opprettholdes.

## Ekstra sikkerhetsadvarsler for elektroverktøy



**Advarsel!** Utfyllende sikkerhetsadvarsler for slipemaskiner

- ◆ **Hold elektriske verktøy i de isolerte gripeflatene, da båndet kan komme i kontakt med sin egen kabel.** Skjæring en strømførende ledning vil gjøre verktøys metalldele strømførende og gi operatøren sløt.
- ◆ **Bruk klemmer eller en annen praktisk måte til å feste arbeidsemnet til et stabilt underlag.** Arbeidsemnet blir ustabil og du mister kontroll dersom du holder det i hånden eller inn mot kroppen.
- ◆ **Advarsel!** Kontakt med eller innånding av slipestøv kan være helseskadelig for brukeren og eventuelle andre tilstedeværende. Bruk en spesialmaske som verner mot støv og damp, og pass på at andre som oppholder seg eller kommer inn i området der du arbeider, også beskyttes seg.
- ◆ Fjern alt støv grundig etter sliping.
- ◆ Vær ekstra forsiktig når du pusser maling som kan inneholde bly, eller metall som kan avgi giftig støv:
  - La ikke barn eller gravide komme inn der du arbeider.
  - Ikke spis, drikk eller røyk der du arbeider.
  - Kvit deg med støvpartikler eller annet avfall på en miljøvennlig måte.
- ◆ Dette verktøyet er ikke beregnet til å brukes av personer (inkludert barn) med redusert fysisk, sansemessig eller mental kapasitet eller mangel på erfaring og kunnskap, med mindre de er under oppsyn eller har fått opplæring

i bruk av verktøyet av en person som har ansvaret for deres sikkerhet. Barn må ha tilsyn for å sikre at de ikke leker med apparatet.

- ◆ Denne instruksjonshåndboken forklarer beregnet bruksmåte. Bruk bare tilbehør og utstyr som anbefales i bruksanvisningen. Bruk av annet verktøy eller tilbehør kan medføre risiko for skade på person og/eller utstyr.

## Andre personers sikkerhet

- ◆ Apparatet er ikke beregnet til å brukes av personer (inkludert barn) med redusert fysisk, sansemessig eller mental kapasitet eller mangel på erfaring og kunnskap, med mindre de er under oppsyn eller har fått opplæring i bruk av apparatet av en person som har ansvaret for deres sikkerhet.
- ◆ Barn må ha tilsyn for å sikre at de ikke leker med apparatet.

## Andre risikoer.

Ved bruk av verktøyet kan det oppstå ytterligere risikoer som kanskje ikke er inkludert i sikkerhetsadvarslene som følger med. Disse risikoene kan bli forårsaket av feil bruk, langvarig bruk osv.

Selv om de relevante sikkerhetsbestemmelsene blir fulgt, og sikkerhetstiltakene blir gjennomført, kan visse gjenværende risikoer ikke unngås. Disse omfatter:

- ◆ Personskader som forårsakes av berøring av en roterende/bevegelig del.
- ◆ Personskader som forårsakes av at en del, et blad eller tilbehør endres.
- ◆ Personskader som forårsakes av langvarig bruk av et verktøy. Når du bruker et verktøy i lange perioder, må du sørge for å ta regelmessige pauser.
- ◆ Svekket hørsel.
- ◆ Helsefarer som forårsakes av innånding av støv som dannes når du bruker verktøyet (eksempel: arbeid med tre, spesielt eik, bok og MDF).

## Vibrasjon

De erklærte vibrasjonsnivåene i avsnittet Tekniske Data / Samsvarserklæring er målt i samsvar med en standard testmetode som gis av EN 60745, og kan brukes til å sammenligne et verktøy med et annet. Erklært vibrasjonsnivå kan også brukes i en foreløpig vurdering av eksponering.

**Advarsel!** Vibrasjonsnivået ved faktisk bruk av elektroverktøyet kan variere fra erklært verdi, avhengig av måten verktøyet brukes på. Vibrasjonsnivået kan øke over det oppgitte nivået.

Når du vurderer eksponering til vibrasjon for å bestemme sikkerhetstiltak som anbefalt i 2002/44/EF for å beskytte personer som jevnlig bruker elektroverktøy, bør en estimering av eksponeringen ta hensyn til de faktiske bruksforholdene og



måten verktøyet brukes på. Dette inkluderer alle deler av brukssyklusen som f.eks. tidsperioder da verktøyet er slått av og når det går uten belastning, i tillegg til faktisk arbeidstid.

## Etiketter på verktøyet

Følgende symboler befinner seg på verktøyet:



**Advarsel!** Bruker må lese bruksanvisningen for å redusere faren for skader.



Monter støvposen eller støvkassetten før du bruker verktøyet på arbeidsstykker av tre.



Ta av støvposen eller støvkassetten og monter avlederen før du bruker verktøyet på arbeidsstykker som inneholder metall.

## Elektrisk sikkerhet



Dette apparatet er dobbeltisolert. Derfor er ikke jording nødvendig. Kontroller alltid at nettspenningen er i overensstemmelse med spenningen på typeskiltet.

- ◆ Hvis strømledningen skades, må den skiftes ut av fabrikanten eller et autorisert Black & Decker servicesenter for å unngå fare.

## Egenskaper

Dette verktøyet har noen av eller alle følgende funksjoner:

1. Strømbryter
2. Knapp for variabel hastighet
3. Låseknapp
4. Støttehåndtak
5. Båndstrammerhendel
6. Båndstyringsknapp
7. Rett arm

## Fig. A

8. Smal arm
9. Vinkelarm

## Fig. D

10. Støvkassetten
11. Avleder

## Montering

**Advarsel!** Før monteringen, må du passe på at verktøyet er slått av og at kontakten er trukket ut.

## Montering og fjerning av slipearmer (fig. A & B)

Dette verktøyet leveres med følgende slipearmer:

- ◆ Rett arm (7), slipebredde 13 mm
- ◆ Smal arm (8), slipebredde 6 mm), for detaljarbeid
- ◆ Vinklet arm (9) for å lage spor og slipe midt i arbeidsstykker og nå frem til trange områder

Før førstegangs bruk, må du montere slipearmen på verktøyet.

## Montering

- ◆ Påse at båndstrammerhendelen (5) er i posisjonen som vises.
- ◆ Løsne og fjern båndstyringsknappen (6).
- ◆ Fjern teipen som holder fjæren fast (12) (hvis dette finnes).
- ◆ Sjekk at fjæren (12) er på plass i monteringshullet.
- ◆ Plasser armen som angitt.
- ◆ Sett på båndstyringsknappen (6) og stram den til armen (7) er på linje med verktøyet.

## Fjerning

- ◆ Ta av slipebåndet (13) (hvis det er på) som beskrevet nedenfor.
- ◆ Løsne og fjern båndstyringsknappen (6).
- ◆ Ta av armen.

**Advarsel!** Pass på at du ikke mister fjæren (12).

## Montering og fjerning av slipebånd (fig. B)

**Advarsel!** Fjæren må monteres. Pass på at du ikke mister fjæren (12).

## Montering

- ◆ Skyv båndstrammerhendelen (5) til fremre posisjon (A).
- ◆ Sørg for at pilene på innsiden av slipebåndet (13) peker i samme retning som pilene (14) på huset.
- ◆ Plasser slipebåndet (13) over fremre trinse (15) og bakre trinse (16), ved å føre det gjennom sporet i huset.
- ◆ Skyv båndstrammerhendelen (5) til bakre posisjon (B).
- ◆ Juster båndstyringsknappen som beskrevet nedenfor.

## Fjerning

- ◆ Skyv båndstrammerhendelen (5) til fremre posisjon (A).
- ◆ Trekk slipebåndet (13) av trinsene.

## Justering av slipebåndstyringen (fig. C)

- ◆ Slå på verktøyet.
- ◆ Vri på båndstyringsknappen (6) etter behov, til slipebåndet (13) løper rett langs lengden av armen.

## Montering og fjerning av støvkassetten (fig. D & F)

**Advarsel!** Ta alltid av støvposen eller støvkassetten og monter avlederen før du bruker verktøyet på arbeidsstykker av metall.

- ◆ Skyv støvkassetten (10) over åpningen for støvuttrekk.
- ◆ Skyv delen inn på verktøyet og sørg for at den sitter godt fast.



- ◆ Når du skal fjerne støvkassetten, trekker du posen bakover og bort fra utløpet.

### Montering og fjerning av avlederen (fig. D & E)

Advarsel! Avlederen må brukes når du sliper metall.

- ◆ Monter avlederen (11) på åpningen for støvavsug.
- ◆ Skyv avlederen inn på verktøyet og sørg for at den sitter godt fast.
- ◆ Når du skal fjerne avlederen, trekker du den bakover og bort fra utløpet.

### Bruk

Advarsel! La verktøyet jobbe med sin egen hastighet. Ikke overbelast det.

### Variabel hastighetskontroll (fig. G)

Med kontrollknappen for variabel hastighet kan du justere verktøyets hastighet i henhold til materialet du skal arbeide med.

- ◆ Sett kontrollknappen (2) på ønsket innstilling. Bruk høy hastighet til tre, middels hastighet til finér og syntetisk materiale, og lav hastighet for ikke-jern-metall og for fjerning av maling.

### Start og stopp (fig. G)

- ◆ Trykk på strømbryteren (1) for å slå verktøyet på.
- ◆ For kontinuerlig drift, trykk på låseknappen (2) og slipp på/av-bryteren (1).
- ◆ Slipp strømbryteren (1) for å slå verktøyet av.
- ◆ For å slå verktøyet av når det er i kontinuerlig drift, trykke en gang til på strømbryteren (1) og slippe den.

### Tømming av støvkassetten (fig. F)

Støvkassetten (10) bør tømmes hvert 10. minutt når verktøyet brukes.

- ◆ Trekk støvkassetten (10) bakover og bort fra verktøyet.
- ◆ Ta av dekselet (17) ved å vri det mot klokken.
- ◆ Hold støvkassetten (10) med filteret (18) ned, og rist kassetten (10) slik at innholdet tømmes ut.
- ◆ Rist dekselet (17) for å tømme ut innholdet.
- ◆ Sett dekselet (17) på støvkassetten (10) igjen ved å vri det med klokken til det låses på plass.
- ◆ Sett støvkassetten (10) på verktøyet igjen.

### Rengjøring av støvkassetfilteret (fig. F)

Advarsel! Ikke bruk børste eller trykkluft eller skarpe gjenstander til å rengjøre filteret. Ikke vask filteret.

- ◆ Støvkassetfilteret (18) kan brukes mange ganger, og må rengjøres jevnlig.
- ◆ Tøm støvkassetten (10) som beskrevet ovenfor.
- ◆ Trekk filteret (18) av støvkassetten (14).
- ◆ Fjern overflødig støv ved å dunke i filteret (18) over en søppelkasse.

- ◆ Sett på filteret (18) igjen.
- ◆ Sett på dekslet (17).
- ◆ Skyv støvkassetten (10) inn på verktøyet og sørg for at den sitter godt fast.

### Spesielle bruksområder (fig. H, I & J)

#### Vinklet arm (fig. H)

- ◆ Bruk del A for å lage spor eller slipe midt i arbeidsstykket og i trange områder.
- ◆ Bruk del B for buede overflater.

#### Rett arm (fig. I)

- ◆ Bruk den vanlige eller den smale armen til vanlig bruk, til å lage spor og fuger.

#### Smal arm (fig. J)

- ◆ Bruk den smale armen til detaljerte arbeid.

### Råd for optimalt resultat

- ◆ Hold alltid verktøyet med begge hender.
- ◆ Ikke trykk for hardt på verktøyet.
- ◆ Sjekk slipebåndet (12) regelmessig. Skift det ut ved behov.
- ◆ Slip alltid i treets fiberretning.
- ◆ Når du skal slipe nye malingsstrøk før du skal male et nytt strøk, bruker du ekstra finkornet slipepapir.
- ◆ På veldig ujevne overflater, eller når du skal fjerne flere lag med maling, begynner du med et grovere slipepapir. På andre overflater begynner du med et middels kornet slipepapir. I begge tilfeller bytter du gradvis til mer finkornet slipepapir for å få en glattere overflate.
- ◆ Kontakt forhandleren for å få mer informasjon om tilgjengelig tilbehør.

### Vedlikehold

Verktøyet ditt er konstruert for å være i drift over lengre tid med et minimum av vedlikehold. Det er avhengig av god vedlikehold og regelmessig rengjøring for å fungere som det skal til enhver tid.

Advarsel! Før alt vedlikehold må verktøyet slås av og kontakten trekkes ut.

- ◆ Rengjør ventileringsåpningene på verktøyet regelmessig med en myk børste eller en tørr klut.
- ◆ Rengjør motorhuset regelmessig med en fuktig klut. Ikke bruk slipende eller løsemiddelbaserte rengjøringsmidler.

### Miljøvern



Kildesortering. Dette produktet må ikke kastes i det vanlige husholdningsavfallet.

Hvis du finner ut at Black & Decker-produktet ditt må skiftes ut, eller hvis du ikke lenger har bruk for det, må du unnlåte å kaste det sammen med det vanlige husholdningsavfallet. Sørg for at dette produktet gjøres tilgjengelig for kildesortering.



Kildesortering av brukte produkter og emballasje gjør det mulig å resirkulere materialer og bruke dem igjen. Gjenbruk av resirkulerte materialer bidrar til å forhindre forsøpling av miljøet og reduserer behovet for råmaterialer.

Lokale regelverk kan legge tilrette for kildesortering av elektriske produkter fra husholdningen, ved kommunale deponier eller gjennom forhandleren når du kjøper et nytt produkt.

Black & Decker har tilrettelagt for innsamling og resirkulering av Black & Decker-produkter etter at de har utspilt sin rolle. Ønsker du å benytte deg av denne tjenesten, returnerer du produktet ditt til et autorisert serviceverksted, som tar det imot og formidler det videre.

Du kan få adressen til ditt nærmeste autoriserte serviceverksted ved å kontakte ditt lokale Black & Decker-kontor på adressen oppgitt i denne håndboken. Du kan også finne en komplett liste over autoriserte Black & Decker-serviceverksteder og utfyllende informasjon om vår etter salg-service og kontaktnumre på Internett på følgende adresse: [www.2helpU.com](http://www.2helpU.com)

#### Tekniske data

	KA902E Typ. 1
Spenning	V <sub>AC</sub> 230
Inn-effekt	W 400
Hastighet ubelastet	min <sup>-1</sup> 900-1.600
Vekt	kg 1,6

Lydnivået, målt i henhold til EN 60745:

Lydtrykk (L<sub>pA</sub>) 84 dB(A), usikkerhet (K) 3 dB(A)

Lydeffekt (L<sub>WA</sub>) 95 dB(A), usikkerhet (K) 3 dB(A)

Totalverdier, vibrasjon (triax vektorsum) bestemt ifølge EN 60745:

Vibrasjonsverdi (a<sub>v</sub>) 1,7 m/s<sup>2</sup>, usikkerhet (K) 1,5 m/s<sup>2</sup>

## Samsvarserklæring for EU

MASKINDIREKTIVET



KA902E

Black & Decker erklærer at produktene som beskrives under "tekniske data" oppfyller kravene til: 2006/42/EF, EN 60745-1, EN 60745-2-4

For mer informasjon, kontakt Black & Decker på følgende adresse eller se bakerst i håndboken.

Undertegnede er ansvarlig for sammenstillingen av den tekniske filen og avgir denne erklæringen på vegne av Black & Decker.

Kevin Hewitt  
Visepresident, Global Engineering  
Black & Decker Europe, 210 Bath Road, Slough,  
Berkshire, SL1 3YD  
Storbritannia  
15/03/2010

## Reservdeler / reparasjoner

Reservdeler kan kjøpes hos autoriserte Black & Decker serviceverksteder, som også gir kostnadsoverslag og reparerer våre produkter.

Oversikt over våre autoriserte serviceverksteder finnes på Internet, vår hjemmeside [www.blackanddecker.no](http://www.blackanddecker.no) samt [www.2helpU.com](http://www.2helpU.com)

## Garanti

Black & Decker garanterer at produktet ikke har material- og/eller fabrikasjonsfeil ved levering til kunde. Garantien er i tillegg til kundens lovlige rettigheter og påvirker ikke disse. Garantien gjelder innen medlemsstatene i den Europeiske Unionen og i det Europeiske Frihandelsrådet.

Hvis et Black & Decker produkt går i stykker på grunn av material- og/eller fabrikasjonsfeil eller har mangler i forhold til spesifikasjonene, innen 24 måneder fra kjøpet, påtar Black & Decker seg å reparere eller bytte ut produktet med minst mulig vanskelighet for kunden.

Garantien gjelder ikke for feil som kommer av:

- ◆ normal slittasje
- ◆ feilaktig bruk eller vedlikehold (mislighold)
- ◆ at produktet har blitt skadet av fremmede gjenstander, emner eller ved et uhell

Det gjøres oppmerksom på at produktet ikke er beregnet på industriell/profesjonell/yrkesmessig bruk, men til hus- og hjemmebruk.

Garantien gjelder ikke om reparasjoner har blitt utført av noen andre enn et autorisert Black & Decker serviceverksted.

For å ta garantien i bruk skal produktet og kjøpekvitteing leveres til forhandleren eller til et autorisert serviceverksted senest 2 måneder etter at feilen har blitt oppdaget. For informasjon om nærmeste autoriserte serviceverksted; kontakt det lokale Black & Decker kontoret på den adressen som er angitt i bruksanvisningen. En oversikt over alle autoriserte serviceverksteder samt servicevilkår finnes også tilgjengelig på Internet, adresse: [www.2helpU.com](http://www.2helpU.com)

Vennligst stikk innom våre nettsider på [www.blackanddecker.no](http://www.blackanddecker.no) for å registrere ditt nye Black & Decker-produkt og for å holde deg oppdatert om nye produkter og spesialtilbud. Du finner mer informasjon om Black & Decker og produktutvalget vårt på [www.blackanddecker.no](http://www.blackanddecker.no)

## Anvendelsesområde

Din Black & Decker Powerfile™ slibemaskine er designet til slibning af træ, metal, plastik og malede overflader.

Værktøjet er kun beregnet til privat brug.

## Sikkerhedsinstruktioner

### Generelle sikkerhedsadvarsler for værktøjet



**Advarsel!** Læs alle sikkerhedsadvarsler og instrukser. Hvis nedenstående advarsler og instrukser ikke følges, er der risiko for elektrisk stød, brand og/eller alvorlige personskader.

### Gem alle advarsler og instruktioner til fremtidig brug.

Det benyttede begreb "el-værktøj" i nedennævnte advarsler refererer til el-netdrevne (med tilslutningsledning) eller batteridrevne maskiner (uden tilslutningsledning).

#### 1. Sikkerhed i arbejdsområdet

- Sørg for, at arbejdsområdet er rent og ryddeligt. Rodede eller uoplyste arbejdsområder øger faren for uheld.
- Brug ikke el-værktøj i eksplosionstruede omgivelser**, f.eks. hvor der er brændbare væsker, gasser eller støv. El-værktøj kan slå gnister, der kan antænde støv eller dampe.
- Sørg for, at børn og andre personer holder sig på afstand, når el-værktøjet er i brug. Hvis man distraheres, kan man miste kontrollen over maskinen.

#### 2. El-sikkerhed

- El-værktøjsstik skal passe til kontakten. Stikkene må **under ingen omstændigheder ændres. Brug ikke adapterstik sammen med jordforbundet el-værktøj.** Uændrede stik, der passer til kontakterne, nedsætter risikoen for elektrisk stød.
- Undgå kropskontakt med jordforbundne overflader** som f.eks. rør, radiatorer, komfurer og køleskabe. Hvis din krop er jordforbundet, øges risikoen for elektrisk stød.
- El-værktøj må ikke udsættes for regn eller fugt. Indtrængen af vand i el-værktøj øger risikoen for elektrisk stød.
- Undgå at ødelægge ledningen. Undgå at bære, trække eller afbryde el-værktøjet ved at rykke i ledningen. **Beskyt ledningen mod varme, olie, skarpe kanter eller maskindele, der er i bevægelse.** Beskadigede eller indviklede ledninger øger risikoen for elektrisk stød.
- Hvis el-værktøj benyttes i det fri, skal der benyttes en forlængerledning, som er godkendt til udendørs brug. Brug af en forlængerledning til udendørs brug nedsætter risikoen for elektrisk stød.

- Ved anvendelse af et elektrisk værktøj i områder med damp, anvend da en beskyttende afskærmning. Denne afskærmning reducerer risikoen for elektrisk stød.

#### 3. Personlig sikkerhed

- Vær opmærksom, hold øje med, hvad du laver, og brug el-værktøjet fornuftigt. Man bør ikke bruge maskinen, hvis man er træt, har nydt alkohol eller er påvirket af medicin eller euforiserende stoffer. Få sekunders uopmærksomhed ved brug af el-værktøjet kan føre til alvorlige personskader.
- Anvend sikkerhedsudstyr. Bær altid beskyttelsesbriller.** Beskyttende udstyr, som en støvmaske, skridsikre sikkerhedssko, beskyttelseshjelm eller ørepropper anvendt i de rigtige betingelser reducere ulykker.
- Forebyg umotiveret opstart. Vær sikker på, at kontakten er slukket før du forbinder kraftkilden og/eller batteriet, løfter eller bærer værktøjet. Hvis du bærer på værktøjet med din finger på kontakten eller starter værktøjet med kontakten slået til indbyder til ulykker.
- Fjern indstillingsværktøj eller skruenøgle, inden el-værktøjet tændes. Et værktøj eller en nøgle, der efterlades i en roterende del i el-værktøjet, kan resultere i personskader.
- Overvurder ikke dig selv. Sørg for, at du altid har sikkert fodfæste og balance. Det gør det nemmere at kontrollere el-værktøjet, hvis der skulle opstå uventede situationer.
- Brug egnet arbejdstøj. Undgå løse** beklædningsgenstande eller smykker. Hold hår, tøj og handsker væk fra dele, der bevæger sig. Bevægelige dele kan gribe fat i løstsiddende tøj, smykker eller langt hår.
- Hvis støvudsugnings- og opsamlingsudstyr kan monteres, er det vigtigt, at dette tilsluttes og benyttes korrekt. Brug af støvsugning nedsætter risikoen for personskader som følge af støv.

#### 4. Brug og vedligeholdelse af el-værktøj

- Undgå at overbelaste el-værktøjet. Brug altid det rette el-værktøj til opgaven.** Med det rigtige el-værktøj udføres arbejdet lettere og sikrere inden for det angivne effektområde.
- Brug ikke el-værktøjet, hvis afbryderen er defekt.** El-værktøj, der ikke kan reguleres med afbryderen, er farligt og skal repareres.
- Træk stikket ud af stikkontakten og/eller afmonter batteriet inden indstilling, tilbehørsudskiftning eller opbevaring af el-værktøjet. Disse sikkerhedsforanstaltninger reducerer risikoen for utilsigtet start af værktøjet.
- Opbevar ubenyttet el-værktøj uden for børns rækkevidde. Lad aldrig personer, der ikke er fortrolige med el-værktøj, eller som ikke har gennemlæst disse instrukser, benytte maskinen. El-værktøj er farligt, hvis

det benyttes af ukyndige personer.

- e. **El-værktøj bør vedligeholdes omhyggeligt.** Kontroller, om bevægelige dele er skæve og ikke sidder fast, og om delene er brækket eller beskadiget, således at el-værktøjets funktion påvirkes. Få beskadigede dele repareret, inden el-værktøjet tages i brug. Mange uheld skyldes dårligt vedligeholdt el-værktøj.
- f. **Sørg for, at skæreværktøjer er skarpe og rene.** Omhyggeligt vedligeholdte skæreværktøjer med skarpe skærekanter sætter sig ikke så hurtigt fast og er nemmere at føre.
- g. **Brug el-værktøj, tilbehør, indsatsværktøj osv.**

i overensstemmelse med disse instrukser, og sådan som det kræves for denne specielle værktøjstype. Tag hensyn til arbejdsforholdene og det arbejde, der skal udføres. I tilfælde af anvendelse af el-værktøjet til formål, som ligger uden for det fastsatte anvendelsesområde, kan der opstå farlige situationer.

## 5. Service

- a. **Sørg for, at el-værktøjet kun repareres af kvalificerede fagfolk, og at der kun benyttes originale reservedele.** Dermed bevares el-værktøjets sikkerhed.

## Yderligere sikkerhedsadvarsler for værktøjet



**Advarsel!** Yderligere sikkerhedsadvarsler for slibemaskiner

- ◆ Hold kun fast på maskinen på de isolerede **håndtagsflader, fordi båndet kan komme i kontakt** med apparatets eget kabel. Skæring strømførende ledninger, vil metaldelene på værktøjet være under spænding og give elektrisk stød.
- ◆ **Brug spænder eller en anden praktisk måde til at sikre og støtte arbejdsemnet til en stabil flade.** Hvis det holdes i hånden eller mod kroppen, er det ustabilt og kan føre til tab af kontrol.
- ◆ **Advarsel!** Hvis brugeren eller eventuelle tilskuere kommer i kontakt med eller indånder støv fra slibningsprocesser, kan det skade deres helbred. Bær en specielt designet støvmaske til beskyttelse mod støv og røg, og sørg for, at personer på arbejdsområdet eller personer, der kommer ind på arbejdsområdet, også er beskyttede.
- ◆ Man skal grundigt fjerne alt støv efter slibning.
- ◆ Man skal være specielt opmærksom ved slibning af maling, som er blybaseret, og ved slibning af nogle typer træ og metal, som kan frembringe giftigt støv:
  - Børn og gravide kvinder må ikke betrede arbejdsområdet.
  - Man må hverken spise, drikke eller ryge inden for arbejdsområdet.
  - Man skal bortskaffe støvpartikler og andet affald på en sikker måde.

- ◆ Dette apparat er ikke egnet til brug for personer (inklusive børn) med manglende evner eller viden omkring produktet, med mindre de har modtaget undervisning eller instruktioner i brug af apparatet fra en person, som er ansvarlig for sikkerheden. Der skal være opsyn med børn for at sikre, at de ikke leger med maskinen.
- ◆ **Det formål, som dette værktøj er beregnet til, er beskrevet i denne brugsanvisning.** Brug af andet tilbehør eller udførelse af en anden opgave med dette værktøj end de her anbefalede kan medføre risiko for personskader og/eller skader på materiel.

## Andres sikkerhed

- ◆ Dette apparat er ikke egnet for at brug af personer (inklusive børn) med manglende evner eller viden omkring produktet, med mindre de har modtaget undervisning eller instruktioner i brug af apparatet fra en person, som er ansvarlig for sikkerheden.
- ◆ Der skal være opsyn med børn for at sikre, at de ikke leger med apparatet.

## Restrisici.

Der kan opstå yderligere restrisici under brugen af værktøjet, som ikke kan medtages i vedlagte sikkerhedsadvarsler. Disse risici kan opstå pga. forkert anvendelse, langvarig brug etc. Selv ved overholdelse af relevante sikkerhedsforskrifter og anvendelse af sikkerhedsudstyr kan visse restrisici ikke undgås. Disse omfatter:

- ◆ Tilskadecomst forårsaget af berøring af roterende/ bevægelige dele.
- ◆ Tilskadecomst forårsaget af udskiftning af dele, blade eller tilbehør.
- ◆ Tilskadecomst forårsaget af langvarig brug af et værktøj. Husk at holde pause jævnligt ved brug af et værktøj i længere tid.
- ◆ Høreskader.
- ◆ Sundhedsrisici forårsaget af indånding af støv, der genereres ved brug af værktøjet (eksempel: Arbejde med træ, især, eg, bøg og MDF).

## Vibration

De deklarerede vibrationsemissionsværdier, som er angivet i tekniske data og overensstemmelseserklæring er blevet udmålt i overensstemmelse med en standardtestmetode foreskrevet af EN 60745 og kan anvendes til at sammenligne et værktøj med et andet. De deklarerede vibrationsemissionsværdier kan ligeledes anvendes i en præliminær undersøgelse af eksponeringen.

**Advarsel!** Vibrationsemissionsværdien under den faktiske brug af værktøjet kan variere fra den deklarerede værdi, alt efter hvilken måde værktøjet anvendes på. Vibrationerne kan nå op på et niveau over det anførte.

Når vibrationseksponeringen undersøges med det formål at fastsætte sikkerhedsforanstaltningerne ifølge 2002/44/EF for at beskytte personer, som regelmæssigt anvender værktøjer i forbindelse med deres arbejde, bør en måling af vibrationseksponeringen betænke, den måde værktøjet anvendes på inklusive alle dele af arbejdsrytmen såsom tidspunkter, hvor værktøjet er slukket eller kører i tomgang, ud over det tidsrum hvor det anvendes.

### Etiketter på værktøjet

Følgende piktogrammer ses på værktøjet:



**Advarsel!** For at mindske risikoen for skader skal brugeren læse instruktionsmanualen.



Sæt helst støvposen eller støvkassetten på, før maskinen bruges til arbejdsstykker af træ.



Fjern støvposen eller kassetten og sæt afbøjer på, før maskinen bruges til arbejdsstykker, som indeholder metal.

### El-sikkerhed



Denne maskine er dobbelt isoleret. Derfor er jordledning ikke nødvendig. Kontroller altid, at strømforsyningen svarer til spændingen på apparatets klemme.

- ◆ Hvis el-ledningen er skadet, skal den udskiftes af producenten eller et autoriseret Black & Decker servicecenter for at undgå ulykker.

### Funktioner

Maskinen inkluderer nogle af - eller alle følgende funktioner:

1. Afbryder
2. Betjeningsknap til variabel hastighed
3. Låseknap
4. Støttehåndtag
5. Båndspænder
6. Båndstyringsknap
7. Lige arm

### Fig. A

8. Smal arm
9. Vinkelarm

### Fig. D

10. Støvkassette
11. Afbøjer

## Montering

**Advarsel!** Før montering skal man sikre sig, at værktøjet er slukket og taget ud af stikkontakten.

### Montering og fjernelse af slibearmene (fig. A & B)

Maskinen er udstyret med følgende slibearme:

- ◆ Lige arm (7), slibebredde 13 mm
- ◆ Smal arm (8), slibebredde 6 mm, til kompliceret arbejde
- ◆ Vinkelarm (9) til nothøvling og slibning i midten af arbejdsstykker og til at nå snævre områder

Før maskinen bruges første gang, skal slibearmen monteres på maskinen.

### Montering

- ◆ Sørg for, at båndspænderen (5) er i den stilling, som er vist.
- ◆ Løs og fjern båndstyringsknappen (6).
- ◆ Fjern det tape der holder fjederen (12) (hvis det forefindes).
- ◆ Check at fjederen (12) befinder sig i monteringshullet.
- ◆ Placér armen som vist.
- ◆ Sæt båndstyringsknappen (6) på og stram, indtil armen (7) er på linje med maskinen.

### Fjernelse

- ◆ Fjern slibebåndet (13) (hvis det forefindes) som beskrevet nedenfor.
- ◆ Løs og fjern båndstyringsknappen (6).
- ◆ Fjern armen.

**Advarsel!** Pas på ikke at tabe fjederen (12)

### Montering og fjernelse af slibebåndene (fig. B)

**Advarsel!** Fjederen skal være monteret. Pas på ikke at tabe fjederen (12)

### Montering

- ◆ Flyt båndspændingsarmen (5) til frontpositionen (A).
- ◆ Sørg for at pilene på indersiden af slibebåndet (13) vender samme vej som pilene (14) på huset.
- ◆ Anbring slibebåndet (13) over forskiven (15) og bagskiven (16), skub det gennem sprækken i huset.
- ◆ Flyt båndspændingsarmen (5) til bagpositionen (B).
- ◆ Justér båndsporingen som beskrevet nedenfor.

### Fjernelse

- ◆ Flyt båndspændingsarmen (5) til frontpositionen (A).
- ◆ Skub slibebåndet (13) af skiverne.

### Justering af slibebåndsporingen (fig. C)

- ◆ Tænd for maskinen.
- ◆ Drej båndsporingknappen (6) så meget som nødvendigt, indtil slibebåndet (13) løber lige langs med armens længde.

## Montering og fjernelse af støvkassetten (fig. D & F)

Advarsel! Fjern altid støvkassetten og sæt afbøjeren på, før maskinen bruges til metalarbejdsstykker.

- ◆ Skub støvkassetten (10) over støvudsugningsudgangen.
- ◆ Skub objektet ind på maskinen og sørg for, at det sidder godt fast.
- ◆ For at aftage støvkassetten skal den trækkes bagud og fjernes fra udgangen.

## Montering og fjernelse af afbøjeren (fig. D & E)

Advarsel! Afbøjeren skal anvendes ved slibning af metalarbejdsstykker.

- ◆ Anbring afbøjeren (11) på støvudsugningsudgangen.
- ◆ Skub afbøjeren ind på maskinen og sørg for, at den sidder godt fast.
- ◆ For at aftage afbøjeren skal den trækkes bagud og fjernes fra udgangen.

## Anvendelse

Advarsel! Lad værktøjet arbejde i dets eget tempo. Det må ikke overbelastes.

## Styring af variabel hastighed (fig. G)

Kontrolknappen til forskellige hastigheder giver dig mulighed for at tilpasse værktøjets hastighed til det emne, der arbejdes på.

- ◆ Indstil kontrolknappen (2) på den ønskede indstilling. Brug høj hastighed til træ, medium hastighed til finér og syntetisk materiale, og lav hastighed til ikke-jernmetal og til at fjerne maling.

## Start og stop (fig. G)

- ◆ Tryk på afbryderen (1) for at tænde for maskinen.
- ◆ For vedvarende drift trykker man på låseknappen (2) og slipper afbryderen (1).
- ◆ Sluk for maskinen ved at slippe afbryderen (1).
- ◆ Sluk for maskinen, mens det arbejder i vedvarende drift, ved at trykke på afbryderen (1) én gang til og derefter slippe den.

## Tømning af støvkassetten (fig. F)

Støvkassetten (10) skal tømmes hvert 10. minut, når den er i brug.

- ◆ Træk støvkassetten (10) bagud og væk fra maskinen.
- ◆ Fjern dækslet (17) ved at dreje det mod uret.
- ◆ Hold støvkassetten (10) med filteret (18) vendende nedad, og ryst kassetten (10) for at tømme indholdet ud.
- ◆ Ryst dækslet (17) for at tømme indholdet ud.
- ◆ Sæt dækslet (17) på støvkassetten (10) igen ved at dreje det med uret, indtil det låses på plads.
- ◆ Sæt støvkassetten (10) på maskinen igen.

## Rengøring af støvkassetens filter (fig. F)

Advarsel! Der må ikke bruges børster eller trykluft til rengøring af filteret. Filteret må ikke vaskes.

- ◆ Støvkassettefilteret (18) kan bruges igen og bør renses jævnlgt.
- ◆ Tøm støvkassetten (10) som beskrevet ovenfor.
- ◆ Træk filteret (18) af støvkassetten (14).
- ◆ Ryst filteret (18) fri for støv ved at slå det ned i en affaldsbeholder.
- ◆ Sæt filteret på plads igen (18).
- ◆ Sæt dækslet (17) på.
- ◆ Skub støvkassetten (10) ind på maskinen og sørg for, at den sidder godt fast.

## Særlig anvendelse (fig. H, I & J)

### Vinkelarm (fig. H)

- ◆ Brug afsnit A ved nothøvling eller slibning i midten af arbejdsstykker og på snævre områder.
- ◆ Brug afsnit B til buede flader.

### Lige arm (fig. I)

- ◆ Brug den normale eller den snævre arm til almindelig brug, til slidser og til sammenføjninger.

### Smal arm (fig. J)

- ◆ Brug den snævre arm til finere detaljer til at skære og til udskæringer

## Gode råd til optimalt brug

- ◆ Hold altid maskinen med begge hænder.
- ◆ Tryk ikke for meget på maskinen.
- ◆ Man skal regelmæssigt checke slibebåndets (12) tilstand. Det skal udskiftes, når det er nødvendigt.
- ◆ Slib altid med årene i træet.
- ◆ Anvend ekstra finkornet slibepapir mellem påføring af nye lag maling.
- ◆ På meget ujævne overflader, eller når man fjerner lag af maling, skal man starte med en grov kornstørrelse. På andre overflader startes der med en mellemfin kornstørrelse. I begge tilfælde skal man gradvist ændre til en fin kornstørrelse for at opnå en glat finish.
- ◆ Få flere oplysninger om tilgængeligt tilbehør hos detailhandleren.

## Vedligeholdelse

Værktøjet er beregnet til at være i drift gennem en længere periode med minimal vedligeholdelse. Forsat tilfredsstillende drift afhænger af korrekt behandling af værktøjet samt regelmæssig rengøring.

**Advarsel!** Før udførelse af vedligeholdelsesarbejde skal værktøjet slukkes og tages ud af stikkontakten.

- ◆ Man skal regelmæssigt rengøre værktøjets ventilationshuller med en blød børste eller en tør klud.
- ◆ Man skal regelmæssigt gøre motorhuset rent med en fugtig klud. Man må ikke bruge slibemidler eller opløsningsmidler.

## Beskyttelse af miljøet



Separat indsamling. Dette produkt må ikke bortskaffes sammen med almindeligt husholdningsaffald.

Hvis du en dag skal udskifte dit Black & Decker produkt, eller hvis du ikke skal bruge det længere, må du ikke bortskaffe det sammen med husholdningsaffald. Dette produkt skal være tilgængeligt for separat indsamling.



Separat indsamling af brugte produkter og emballage gør det muligt at genbruge materialer. Genbrugte materialer forebygger miljøforurening og nedbringer behovet for råstoffer.

Lokale regler kan give mulighed for separat indsamling af elektriske husholdningsprodukter på kommunale lossepladser eller hos den forhandler, som du købte produktet af.

Black & Decker har en facilitet til indsamling og genbrug af Black & Decker-produkter, når deres levetid er slut. Få fordelene ved denne service ved at returnere produktet til en autoriseret tekniker, der samler værktøj sammen på vores vegne.

Du kan få oplyst den nærmeste autoriserede tekniker ved at kontakte det lokale Black & Decker-kontor på den adresse, der er angivet i denne brugsanvisning. Alternativt findes der en liste over autoriserede Black & Decker-teknikere og oplysninger om vores eftersalgsservice og kontaktpersoner på Internettet på adressen: [www.2helpU.com](http://www.2helpU.com)

## Tekniske data

	KA902E Typ. 1
Spænding	$V_{AC}$ 230
Motoreffekt	W 400
Ubelastet hastighed	$\text{min}^{-1}$ 900-1.600
Vægt	kg 1,6

Lydniveauet i henhold til EN 60745:  
 Lydtryk ( $L_{pA}$ ) 84 dB(A), usikkerhed (K) 3 dB(A)  
 Lydintensitet ( $L_{wA}$ ) 95 dB(A), usikkerhed (K) 3 dB(A)

Vibrationernes totale værdi (triax vector sum) i henhold til EN 60745:

Vibrationsemissionsværdi ( $a_{hV}$ ) 1,7  $\text{m/s}^2$ ,  
 usikkerhed (K) 1,5  $\text{m/s}^2$

## EU overensstemmelseserklæring

MASKINDIREKTIV



Black & Decker erklærer, at disse produkter, beskrevet under "tekniske data", overholder følgende: 2006/42/EF, EN 60745-1, EN 60745-2-4

For mere information, kontakt venligst Black & Decker på følgende adresse eller på adressen bagerst i brugsanvisningen.

Undertegnede er ansvarlig for kompilering af den tekniske fil og laver denne deklaration på vegne af Black & Decker.

Kevin Hewitt  
 Vice-President Global Engineering  
 Black & Decker Europe, 210 Bath Road, Slough,  
 Berkshire, SL1 3YD  
 Storbritannien  
 15/03/2010



## Reserve dele / reparationer

Reserve dele kan købes hos autoriserede Black & Decker serviceværksteder, som giver forslag til omkostninger og reparerer vore produkter. Oversigt over vore autoriserede værksteder findes på internettet på vor hjemmeside [www.blackanddecker.dk](http://www.blackanddecker.dk) samt [www.2helpU.com](http://www.2helpU.com)

## Garanti

Black & Decker garanterer, at produktet er fri for materielle skader og/eller fabrikationsfejl ved levering til kunden.

Garantien er et tillæg til konsumentens lovlige rettigheder og påvirker ikke disse. Garantien gælder indenfor medlemsstaterne af den Europæiske Union og i det Europæiske Frihandelsområde.

Hvis et Black & Decker produkt går i stykker på grund af materiel skade og/eller fabrikationsfejl eller på anden måde ikke fungerer i overensstemmelse med specifikationen, inden for 24 måneder fra købsdatoen, påtager Black & Decker sig at reparere eller ombytte produktet med mindst muligt besvær for kunden.

Garantien gælder ikke for fejl og mangler, der er sket i forbindelse med:

- ◆ normal slitage
- ◆ uheldige følger efter unormal anvendelse af værktøjet
- ◆ overbelastning, hærværk eller overdrevent intensivt brug af værktøjet
- ◆ ulykkeshændelse

Garantien gælder ikke hvis reparationer er udført af nogen anden end et autoriseret Black & Decker værksted.

For at udnytte garantien skal produktet og købskvitteringen indleveres til forhandleren eller til et autoriseret værksted, senest 2 måneder efter at fejlen opdages. For information om nærmeste autoriserede værksted: kontakt det lokale Black & Decker kontor på den adresse som er opgivet i brugsanvisningen. Liste over alle autoriserede Black & Decker serviceværksteder samt servicevilkår er tilgængelig på internettet, på adressen [www.2helpU.com](http://www.2helpU.com)

Gå venligst ind på vores website [www.blackanddecker.dk](http://www.blackanddecker.dk) for at registrere dit nye produkt og for at blive holdt ajour om nye produkter og specialtilbud. Der findes yderligere oplysninger om mærket Black & Decker og vores produktsortiment på adressen [www.blackanddecker.dk](http://www.blackanddecker.dk)

## Käyttötarkoitus

Black & Deckerin Powerfile™ hiomakone on tarkoitettu puun, metallin, muovien ja maalipintojen hiomiseen. Kone on tarkoitettu kotikäyttöön.

## Turvaohjeet

### Yleiset sähkötyökalujen turvallisuusohjeet



**Varoitus!** Kaikki ohjeet täytyy lukea. Alla olevien ohjeiden noudattamisen laiminlyönti saattaa johtaa sähköiskun, tulipaloon ja/tai vakavaan loukkaantumiseen.

Säilytä nämä ohjeet hyvin. Seuraavassa käytetty käsite "sähkötyökalu" käsittää verkkokäyttöiset sähkötyökalut (verkkojohdolla) ja paristokäyttöiset sähkötyökalut (ilman verkkojohdtoa).

#### 1. Työpisteen turvallisuus

- Pidä työskentelyalue puhtaana ja hyvin valaistuna. Epäjärjestyksessä olevilla ja valaisemattomilla työalueilla voi tapahtua tapaturmia.
- Älä työskentele sähkötyökalulla räjähdysalttiissa ympäristössä, jossa on palavaa nestettä, kaasua tai pölyä. Sähkötyökalu muodostaa kipinöitä, jotka saattavat sytyttää pölyn tai höyryt.
- Pidä lapset ja sivulliset loitolla sähkötyökalua käyttäessäsi. Voit menettää laitteesi hallinnan huomiosi suuntautuessa muualle.

#### 2. Sähköturvallisuus

- Sähkötyökalun pistotulpan tulee sopia pistorasiaan. Pistotulppaa ei saa muuttaa millään tavalla. Älä käytä minkäänlaisia sovitinpistokkeita maadoitettujen sähkötyökalujen kanssa. Alkuperäisessä tilassa olevat pistotulpat ja sopivat pistorasiat vähentävät sähköiskun vaaraa.
- Vältä koskettamasta maadoitettuja pintoja, kuten putkia, pattereita, liesiä tai jääkaappeja. Sähköiskun vaara kasvaa, jos kehosi on maadoitettu.
- Älä altista sähkötyökalua sateelle tai kosteudelle. Veden tunkeutuminen sähkötyökalun sisään kasvattaa sähköiskun riskiä.
- Älä käytä verkkojohdtoa väärin. Älä käytä sitä sähkötyökalun kantamiseen, vetämiseen tai pistotulpan irrottamiseen pistorasiasta. Pidä johto loitolla kuumuudesta, öljystä, terävistä reunoista ja liikkuvista osista. Vahingoittuneet tai sotkeutuneet johdot kasvattavat sähköiskun vaaraa.
- Käyttäessäsi sähkötyökalua ulkona, käytä ainoastaan ulkokäyttöön soveltuvaa jatkojohtoa. Ulkokäyttöön

soveltuvan jatkojohdon käyttö pienentää sähköiskun vaaraa.

- Jos sähkötyökalua joudutaan käyttämään kosteassa ympäristössä, käytä aina jäännösvirtalaitteella (RCD) suojattua virtalähdettä. Jäännösvirtalaitteen käyttö vähentää sähköiskun vaaraa.**

#### 3. Henkilöturvallisuus

- Ole valpas, kiinnitä huomiota työskentelyysi ja noudata tervettä järjeä sähkötyökalua käyttäessäsi. Älä käytä sähkötyökalua, jos olet väsynyt tai huumeiden, alkoholin tai lääkkeiden vaikutuksen alaisena. Hetken tarkkaamattomuus sähkötyökalua käytettäessä saattaa johtaa vakavaan loukkaantumiseen.
  - Käytä suojarusteita. Käytä aina suojalaseja. Suojavarusteet, kuten pölynsuojanaamari, luistamattomat turvajalkineet, kypärä ja kuulosuojaimet pienentävät, tilanteen mukaan oikein käytettyinä, loukkaantumisriskiä.
  - Vältä sähkötyökalun tahatonta käynnistämistä. Varmista, että käynnistyskytkin on asennossa "off", ennen kuin kytket pistotulpan pistorasiaan tai kannat sähkötyökalua. Jos kannat sähkötyökalua sormi käynnistyskytkimellä tai kytket sähkötyökalun pistotulpan pistorasiaan, käynnistyskytkimen ollessa käyntiasennossa, altistat itsesi onnettomuuksille.
  - Poista kaikki säätötyökalut ja ruuvitallat, ennen kuin käynnistät sähkötyökalun. Laitteen pyörivään osaan jäänyt työkalu tai avain saattaa johtaa loukkaantumiseen.
  - Älä kurkotta. Seiso aina tukevasti ja tasapainossa. Täten voit paremmin hallita sähkötyökalua odottamattomissa tilanteissa.
  - Käytä tarkoitukseen soveltuvia vaatteita. Älä käytä löysiä työvaatteita tai koruja. Pidä hiusket, vaatteet ja käsineet loitolla liikkuvista osista. Vältä vaatteet, korut ja pitkät hiusket voivat takerua liikkuvien osien.
  - Jos pölynimu- ja keräilylaitteita voidaan asentaa työkaluun, sinun pitää tarkistaa, että ne on liitetty ja että niitä käytetään oikealla tavalla. Näiden laitteiden käyttö vähentää pölyn aiheuttamia vaaroja.**
- #### 4. Sähkötyökalujen käyttö ja hoito
- Älä ylikuormita sähkötyökalua. Käytä kyseiseen työhön tarkoitettua sähkötyökalua. Sopivaa sähkötyökalua käyttäen työskentelet paremmin ja varmemmin tehoalueella, jolle sähkötyökalu on tarkoitettu.
  - Älä käytä sähkötyökalua, jota ei voida käynnistää ja pysäyttää virtakytkimestä. Sähkötyökalu, jota ei enää voida käynnistää ja pysäyttää käynnistyskytkimellä, on vaarallinen ja se täytyy korjata.
  - Irrota pistotulppa pistorasiasta, ennen kuin suoritat säätöjä, vaihdat tarvikkeita tai siirrä sähkötyökalun varastoitavaksi. Nämä turvatoimenpiteet laskevat sähkötyökalun tahatonta käynnistysriskiä.

- d. Säilytä sähkötyökalut poissa lasten ulottuvilta, kun niitä ei käytetä. Älä anna sellaisten henkilöiden käyttää sähkötyökalua, jotka eivät tunne sitä tai jotka eivät ole lukeneet tätä käyttöohjetta. Sähkötyökalut ovat vaarallisia, jos niitä käyttävät kokemattomat henkilöt.
- e. Hoida sähkötyökalusi huolella. Tarkista, että liikkuvat osat toimivat moitteettomasti, eivätkä ole puristuksessa ja että työkalussa ei ole murtuneita tai vahingoittuneita osia, jotka saattaisivat vaikuttaa haitallisesti sen toimintaan. Korjauta mahdolliset viat ennen käyttöönottoa. Moni tapaturma aiheutuu huonosti huolletuista laitteista.
- f. Pidä leikkausterät terävinä ja puhtaina. Huolellisesti hoidetut leikkaustyökalut, joiden terät ovat teräviä, eivät tartu helposti kiinni ja niitä on helpompi hallita.
- g. Käytä sähkötyökaluja, tarvikkeita, vaihtotyökaluja jne. näiden ohjeiden mukaisesti. Ota tällöin huomioon työolosuhteet ja suoritettava toimenpide. Sähkötyökalun käyttö muuhun kuin tarkoituksenmukaiseen käyttöön saattaa johtaa vaarallisiin tilanteisiin.

## 5. Huolto

- a. Anna koulutettujen ammattitaitoisten henkilöiden korjata sähkötyökalusi ja hyväksy korjauksiin vain alkuperäisiä varaosia. Täten varmistat, että sähkötyökalu säilyy turvallisena.

## Sähkötyökalujen lisäturvallisuusohjeet



### Varoitus! Hiomakoneiden lisäturvallisuusohjeet

- ◆ Käsittele sähkötyökalua eristävien tartuntapintojen avulla, koska nauha voi joutua kosketuksiin oman virtajohtonsa kanssa. Jännitteisen johtimen leikkaaminen saattaa tehdä työkalun paljaista metalliosista jännitteisiä ja aiheuttaa sähköiskun käyttäjälle.
- ◆ Käytä ruuvipuristimia tai vastaavaa keinoa, jolla saat kiinnitettyä ja tuettua työkappaleen tukevalle alustalle. Työkappaleen kannatteleminen käsin tai tukeminen kehoa vasten voi johtaa kappaleen irtoamiseen ja vaaratilanteen syntymiseen.
- ◆ Varoitus! Hiontoyöstä syntyvä pöly voi aiheuttaa terveyshaittoja käyttäjälle ja mahdollisille sivullisille. Käytä erityismuotoitua, pölyltä ja höyryiltä suojaavaa kasvosuojusta. Varmista, että sekä työalueella olevat että sen läheisyyteen saapuvat ihmiset käyttävät suojuista.
- ◆ Poista pöly huolellisesti hiomisen jälkeen.
- ◆ Ole erityisen varovainen hioessasi maalipintoja, jotka voivat sisältää lyijyä, tai puu- tai metallipintoja, jotka voivat erittää myrkyllistä hiomapölyä.
  - Älä anna lasten tai raskaana olevien naisten olla työskentelyalueella.

- Älä syö, juo tai tupakoi työskentelyalueella.
- Hävitä pöly ja muu jäte ympäristöystävällisesti.
- ◆ Henkilöt (lapset mukaan lukien), joilla on fyysisiä, tunnollisia tai henkisiä rajoituksia tai rajallinen kokemus ja tuntemus, eivät saa käyttää tätä laitetta ellei heidän turvallisuudesta vastaava henkilö valvo tai ohjaa heitä laitteen käytössä. Lapsia on valvottava, etteivät he leiki koneen kanssa.
- ◆ Käyttö, johon työkalu on tarkoitettu, on kuvattu tässä käyttöohjeessa. Käytä vain käyttöohjeessa ja tuotekuvastossa suositeltuja tarvikkeita ja lisälaitteita. Ohjeesta poikkeava käyttö voi aiheuttaa onnettomuuden ja/tai aineellisia vahinkoja.

## Muiden turvallisuus

- ◆ Henkilöt (lapset mukaan lukien), joilla on fyysisiä, tunnollisia tai henkisiä rajoituksia tai rajallinen kokemus ja tuntemus, eivät saa käyttää tätä laitetta ellei heidän turvallisuudesta vastaava henkilö valvo tai ohjaa heitä laitteen käytössä.
- ◆ Lapsia on valvottava, etteivät he leiki koneen kanssa.

## Jäännösriskit.

Jäännösriskit ovat mahdollisia, jos käytät työkalua muulla kuin turvavaroituksissa mainitulla tavalla. Nämä riskit voivat liittyä muun muassa virheelliseen tai pitkäaikaiseen käyttöön. Tiettyjä jäännösriskkejä ei voi välttää, vaikka noudatat kaikkia turvamääräyksiä ja käytät turvalaitteita. Näihin kuuluvat muun muassa:

- ◆ pyörivien tai liikkuvien osien koskettamisen aiheuttamat vahingot.
- ◆ osia, teriä tai lisävarusteita vaihdettaessa aiheutuneet vahingot.
- ◆ työkalun pitkäaikaisen käytön aiheuttamat vahingot
- Kun käytät työkalua pitkään, varmista, että pidät säännöllisesti taukoja.
- ◆ kuulovauriot.
- ◆ työkalua käytettäessä (esimerkiksi puuta, erityisesti tammea, pyökkiä ja MDF-levyjä, käsiteltäessä) syntyneen pölyn sisäänhengityksen aiheuttamat terveysriskit.

## Tärinä

Käyttöohjeen teknisissä tiedoissa ja vaatimustenmukaisuusvaikutuksessa ilmoitetut tärinän päästöarvot on mitattu EN 60745-normin vakioiden testimenetelmän mukaisesti ja niitä voidaan käyttää työkalun vertaamisessa toiseen. Ilmoitettua tärinän päästöarvoa voidaan myös käyttää altistumisen arviointiin ennakkolta.

**Varoitus!** Sähkötyökalun tärinän päästöarvo voi varsinaisen käytön aikana poiketa ilmoitetusta arvosta riippuen siitä, millä tavalla työkalua käytetään. Tärinän taso voi kohota ilmoitetun tason yläpuolelle.

Kun tärinälle altistumista arvioidaan, jotta voidaan määrittää 2002/44/EY-direktiivin edellyttämät turvatoimenpiteet säännöllisesti sähkötyökaluja työssä käyttävien henkilöiden suojelemiseksi, tärinälle altistumisen arvion tulee ottaa huomioon varsinaiset käyttöolosuhteet ja työkalun käyttötavan, johon sisältyy kaikkien käyttöjakson osien huomioon ottaminen, kuten ajat, jolloin työkalu on pois päältä tai kun se käy joutokäyntiä sekä käynnistysajan.

### Koneessa olevat merkit

Koneessa on seuraavat kuvakemerkinnät:



**Varoitus!** Loukkaantumisen vaaran ehkäisemiseksi käyttäjän on luettava käyttöohjeet.



Kiinnitä pölypussi tai pölykasetti ennen kuin aloitat puun huomisen.



Poista pölypussi tai pölykasetti ja asenna lastunohjain ennen kuin aloitat metallia sisältävien kappaleiden työstämisen.

### Sähköturvallisuus



Tämä laite on kaksoiseristetty; siksi erillistä maadoitusta ei tarvita. Tarkista aina, että virtälähde vastaa arvokilvessä ilmoitettua jännitettä.

- ◆ Jos sähköjohto on vaurioitunut, se saadaan vaihtaa vain valtuutetussa Black & Deckerin huoltoliikkeessä vaaratilanteiden välttämiseksi.

### Ominaisuudet

Tämä työkalu sisältää joitakin tai kaikki seuraavista ominaisuuksista:

1. Virrankatkaisija
2. Portaattoman nopeuden valitsin
3. Lukitusnappi
4. Lisäkädensija
5. Hiomanauhan kiristin
6. Hiomanauhan ohjausnappi
7. Suora varsi

### Kuva A

8. Kapea varsi
9. Taivutettu varsi

### Kuva D

10. Pölykasetti
11. Lastunohjain

### Kokoaminen

**Varoitus!** Ennen kokoamista varmista, että kone on pois päältä eikä sitä ole liitetty virtalähteeseen.

### Hiomavarsien kiinnitys ja poisto (kuva A & B)

Tämä työkalu toimitetaan seuraavien hiomavarsien kanssa:

- ◆ Suora varsi (7), hiomaleveys 13 mm
- ◆ Kapea varsi (8), hiomaleveys 6 mm, tarkkaan työhön
- ◆ Taivutettu varsi (9) urien ym. tekemiseen sekä kappaleiden sisäosan ja ahtaiden paikkojen hiontaan.

Kiinnitä hiomavarsi koneeseen ennen ensimmäistä käyttökertaa.

### Kiinnitys

- ◆ Varmista, että hiomanauhan kiristin (5) on kuvan osoittamassa asennossa.
- ◆ Löysennä ja poista hiomanauhan ohjausnappi (6).
- ◆ Poista jousi (12) kiinnittävä teippi (jos sellainen on).
- ◆ Tarkista, että jousi (12) on asennusreiässään.
- ◆ Laita varsi kuvan mukaisesti.
- ◆ Laita hiomanauhan ohjausnappi (6) paikalleen ja kiristä, kunnes varsi (7) on linjassa työkalun kanssa.

### Irrotus

- ◆ Irrota hiomanauha (13) (jos se on paikallaan) alla kuvatulla tavalla.
- ◆ Löysennä ja poista hiomanauhan ohjausnappi (6).
- ◆ Poista varsi.

**Varoitus!** Varo, ettet hävitä jousia (12).

### Hiomanauhojen kiinnitys ja poisto (kuva B)

**Varoitus!** Jousen tulee olla kiinnitettynä. Varo, ettet hävitä jousia (12).

### Kiinnitys

- ◆ Siirrä hiomanauhan kiristin (5) etuasentoon (A).
- ◆ Varmista, että hiomanauhan (13) sisäpuolella olevat nuolet osoittavat samaan suuntaan kuin kuoressa olevat nuolet (14).
- ◆ Laita hiomanauha (13) eturullan (15) ja takarullan (16) päälle pujottamalla se kuoressa olevaan aukkoon.
- ◆ Siirrä hiomanauhan kiristin (5) asentoon (B).
- ◆ Säädä hihna alla kuvatulla tavalla.

### Irrotus

- ◆ Siirrä hiomanauhan kiristin (5) etuasentoon (A).
- ◆ Liu'uta hiomanauha (13) pois rullien päältä.

### Hiomanauhan suunnan säätö (kuva C)

- ◆ Käynnistä kone.

- ◆ Kierrä nauhan ohjausnuppia (6), kunnes hiomanauha (13) kulkee suoraan varren päällä.

### Pölykasetin kiinnitys ja poisto (kuva D & F)

**Varoitus!** Poista aina pölykasetti ja asenna lastunohjain ennen kuin aloitat metallia sisältävien kappaleiden työstämisen.

- ◆ Laita pölykasetti (10) pölynpoistoaukon päälle.
- ◆ Liu'uta osa työkaluun ja varmista, että se on tiukasti kiinni.
- ◆ Poista pölykasetti vetämällä pölykasetti irti liittännästä.

### Lastunohjaimen kiinnitys ja poisto (kuva D & E)

**Varoitus!** Lastunohjainta tulee käyttää kun työstetään metallikappaleita.

- ◆ Kiinnitä lastunohjain (11) pölynpoistoliitäntään.
- ◆ Liu'uta lastunohjain työkaluun ja varmista, että se on tiukasti kiinni.
- ◆ Poista lastunohjain vetämällä lastunohjain irti liittännästä.

### Käyttö

**Varoitus!** Anna koneen käydä omaan tahtiinsa.

Älä ylikuormita sitä.

### Portaaton nopeus (kuva G)

Portaattoman nopeudensäädön avulla voit sovittaa koneen nopeuden työstettävälle materiaalille sopivaksi.

- ◆ Säädä nopeus säätönupista (2). Käytä suurta nopeutta puun hiomiseen, keskinopeutta vanerin ja synteettisten aineiden hiomiseen ja alhaista nopeutta lasin ja ei-rautametallien hiomiseen ja maalien poistamiseen.

### Käynnistys ja pysäytys (kuva G)

- ◆ Käynnistä kone painamalla virrankatkaisijaa (1).
- ◆ Jatkuviksi toiminnaksi paina lukitus on-painiketta (2) ja vapauta on/off-kytkin (1).
- ◆ Sammuta kone päästämällä irti virrankatkaisijasta (1).
- ◆ Sammuttaaksesi koneen, jossa on virrankatkaisijan lukitsin päällä, paina virrankatkaisijaa (1) vielä kerran ja päästä siitä irti.

### Pölykasetin tyhjennys (kuva F)

Pölykasetti (10) on tyhjennettävä 10 minuutin välein.

- ◆ Vedä pölykasettia (10) taaksepäin ja poista se koneesta.
- ◆ Poista kansi (17) kiertämällä sitä vastapäivään.
- ◆ Pidä pölykasettia (10) suodatin (18) alaspäin ja ravista pölykasettia (10), jotta se tyhjentyy.
- ◆ Tyhjennä pölypussi ravistamalla kantta (17).
- ◆ Pane pölykasetin (10) kansi (17) takaisin paikalleen kiertämällä sitä myötäpäivään, kunnes se lukittuu paikalleen.
- ◆ Laita pölykasetti (10) takaisin työkaluun.

### Pölykasetin suodattimen puhdistus (kuva F)

**Varoitus!** Älä puhdistusta suodatinta harjaamalla, paineilmalla tai terävillä esineillä. Älä pese suodatinta.

- ◆ Pölykasetin suodatinta (18) voidaan käyttää kerta toisensa jälkeen; siksi se on puhdistettava säännöllisesti.
- ◆ Tyhjennä pölykasetti (10) yllä kuvatulla tavalla.
- ◆ Vedä suodatin (18) pölykasetista (14).
- ◆ Ravista ylimääräinen pöly pois ravistamalla suodatinta (18) roska-astiassa.
- ◆ Laita suodatin (18) takaisin paikalleen.
- ◆ Sulje kansi (17).
- ◆ Liu'uta pölykasetti (10) työkaluun ja varmista, että se on tiukasti kiinni.

### Erikoiskäyttökohteet (kuvat H, I & J)

#### Taivutettu varsi (kuva H)

- ◆ Käytä osaa A urien tekemiseen tai hiomiseen työstökappaleen keskellä sekä ahtaiden paikkojen hiomiseen.
- ◆ Käytä osaa B kaarevien pintojen hiomiseen.

#### Suora varsi (kuva I)

- ◆ Käytä normaalia tai kapeaa vartta tavallisissa hiontatöissä sekä urien ja liitosten teossa.

#### Kapea varsi (kuva J)

- ◆ Käytä kapeaa vartta tarkoissa kohteissa.

### Vinkkejä parhaimman tuloksen saamiseksi

- ◆ Pidä koneesta aina kiinni kahdella kädellä.
- ◆ Älä paina konetta liikaa.
- ◆ Tarkista hiomanauhan (12) kunto säännöllisesti. Vaihda se tarvittaessa.
- ◆ Hio aina puun syiden mukaisesti.
- ◆ Hiottaessa maalikerrosten välillä on käytettävä erittäin hienoa hiomapaperia.
- ◆ Aloita karkealla hiomapaperilla hioessasi epätasaisia pintoja tai poistaessasi maalia. Kun hiot muunlaisia pintoja, aloita keskikarkealla hiomapaperilla. Vaihda molemmissa tapauksissa asteittain hienompaan hiomapaperiin tasaisen pinnan aikaansaamiseksi.
- ◆ Saat lisätietoja saatavilla olevista tarvikkeista jälleenmyyjästäsi.

### Huolto

Jiirisaha on suunniteltu toimimaan mahdollisimman pitkään mahdollisimman vähällä huollolla. Asianmukainen käyttö ja säännönmukainen puhdistus takaavat laitteen jatkuvan tyydyttävän toiminnan.

**Varoitus!** Ennen huoltoa ja puhdistusta tulee koneen olla pois päältä ja irti virtalähteestä.

- ◆ Puhdista työkalun ilma-aukot säännöllisesti pehmeällä harjalla tai kuivalla rievulla.
- ◆ Puhdista laitteen kuori säännöllisesti kostealla siivousliinalla. Älä koskaan käytä puhdistamiseen liuotainaineita tai syövyttäviä puhdistusaineita.

## Ympäristö



Erillinen keräys. Tätä tuotetta ei saa hävittää normaalin kotitalousjätteen kanssa.

Kun Black & Decker -koneesi on käytetty loppuun, älä hävitä sitä kotitalousjätteen mukana. Tämä tuote on kerättävä erikseen.



Käytettyjen tuotteiden ja pakkausten erillinen keräys mahdollistaa materiaalien kierrätyksen ja uudelleenkäytön. Kierrätettyjen materiaalien uudelleenkäyttö auttaa ehkäisemään ympäristön saastumisen ja vähentää raaka-aineiden kysyntää.

Paikallisten säännösten mukaisesti on mahdollista viedä kotitalouksien sähkölaitteet kuntien kaatopaikoille tai jättää ne vähittäismyyjälle ostettaessa uusi tuote.

Black & Decker tarjoaa mahdollisuuden Black & Decker -tuotteiden keräykseen ja kierrätykseen sen jälkeen, kun ne on poistettu käytöstä. Jotta voisit hyötyä tästä palvelusta, palauta laitteesi johonkin valtuutettuun huoltoliikkeeseen, joka kerää laitteet meidän puolestamme.

Voit tarkistaa lähimmän valtuutetun huoltoliikkeen sijainnin ottamalla yhteyden Black & Deckerin toimistoon, joka sijaitsee tässä käsikirjassa annetussa osoitteessa. Lista valtuutetuista Black & Decker -huoltoliikkeistä sekä yksityiskohtaiset tiedot korjauspalvelustamme ovat vaihtoehtoisesti saatavilla Internetissä, osoitteessa [www.2helpU.com](http://www.2helpU.com)

## Tekniset tiedot

	KA902E Typ. 1
Jännite	V <sub>AC</sub> 230
Ottoteho	W 400
Kuormittamaton nopeus	min <sup>-1</sup> 900-1.600
Paino	kg 1,6

Äänenpainetaso mitattu EN 60745:n mukaisesti:

Äänenpaine (L<sub>pa</sub>) 84 dB(A), epävarmuus (K) 3 dB(A)

Akustinen teho (L<sub>WA</sub>) 95 dB(A), epävarmuus (K) 3 dB(A)

Tärinän kokonaisarvot (kolmiaks. vektorisumma) on määritetty seuraavan mukaisesti EN 60745:

Tärinän päästöarvo (a<sub>h</sub>) 1,7 m/s<sup>2</sup>, epävarmuus (K) 1,5 m/s<sup>2</sup>

## EU-vaatimustenmukaisuusvakuutus

KONEDIREKTIIVI



Black & Decker julistaa, että kohdassa "tekniset tiedot" kuvatut tuotteet noudattavat seuraavia:

2006/42/EY, EN 60745-1, EN 60745-2-4

Lisätietoja saa Black & Decker -yhtiöltä seuraavasta osoitteesta tai käyttöoppaan takana olevia yhteistietoja käyttäen.

Allekirjoittava henkilö on vastuussa teknisen tiedoston täyttämisestä ja tekee tämän ilmoituksen Black & Decker -yhtiön puolesta.

Kevin Hewitt

Vice-President Global Engineering

Black & Decker Europe, 210 Bath Road, Slough,

Berkshire, SL1 3YD

Iso-Britannia

15/03/2010

## Korjaukset / varaosat

Mikäli koneeseen tulee vikaa, jätä se aina Black & Deckerin valtuuttamaan huoltoliikkeeseen korjattavaksi. Varaosia myyvät valtuutetut Black & Deckerin huoltoliikkeet, ja heiltä voi myös pyytää kustannusarvion koneen korjauksesta.

Tiedot valtuutetuista huoltoliikkeistä löytyvät internetistä osoitteesta [www.2helpU.com](http://www.2helpU.com) sekä kotisivuiltamme [www.blackanddecker.fi](http://www.blackanddecker.fi)

## Takuu

Black & Decker Oy takaa, ettei koneessa ollut materiaali- ja/tai valmistusvikaa silloin, kun se toimitettiin ostajalle. Takuu on lisäys kuluttajan laillisiin oikeuksiin eikä vaikuta niihin. Takuu on voimassa Euroopan Unionin jäsenmaissa ja Euroopan vapaakauppa-alueella (EFTA).

Mikäli Black & Decker -kone hajoaa materiaali- ja/tai valmistusvirheen tai teknisten tietojen epätarkkuuden vuoksi 24 kk:n kuluessa ostopäivästä, Black & Decker korjaa koneen ilman kustannuksia ostajalle tai vaihtaa sen uuteen Black & Decker Oy:n valinnan mukaan.

Takuu ei kata vikoja, jotka johtuvat koneen

- ◆ normaalista kulumisesta
- ◆ ylikuormituksesta, virheellisestä käytöstä tai hoidosta
- ◆ vahingoittamisesta vieraalla esineellä tai aineella tai onnettomuustapauksessa.

Takuu ei ole voimassa, mikäli konetta on korjannut joku muu kuin Black & Deckerin valtuuttama huoltoliike.

Edellytyksenä takuun saamiselle on, että ostaja jättää koneen ja ostokuitin jälleenmyyjälle tai valtuutetulle huoltoliikkeelle viimeistään 2 kuukauden kuluessa vian ilmenemisestä.

Tiedot valtuutetuista huoltoliikkeistä saa ottamalla yhteyttä Black & Decker Oy:hyn sekä internetistä osoitteesta [www.2helpU.com](http://www.2helpU.com), jossa on myös takuuehdot.

Voit vieraillla verkkosivuiltamme [www.blackanddecker.fi](http://www.blackanddecker.fi) rekisteröidäksesi uuden Black & Decker-tuotteesi ja saadaksesi tietoa uusista tuotteista ja erikoistarjouksista. Saat lisätietoja Black & Deckerin tavaramerkistä ja tuotevalikoimastamme osoitteesta [www.blackanddecker.fi](http://www.blackanddecker.fi)

## Ενδεξιγμένη χρήση

Το τριβείο σας της Black & Decker Powerfile™ έχει σχεδιαστεί για τη λείανση ξύλου, μετάλλου, πλαστικών και βαμμένων επιφανειών. Αυτό το εργαλείο προορίζεται μόνο για ερασιτεχνική χρήση.

## Οδηγίες ασφαλείας

### Γενικές προειδοποιήσεις ασφαλείας για ηλεκτρικά εργαλεία



**Προσοχή!** Διαβάστε όλες τις προειδοποιήσεις ασφαλείας και όλες τις οδηγίες. Η μη τήρηση των παρακάτω προειδοποιήσεων και οδηγιών μπορεί να προκαλέσει ηλεκτροπληξία, πυρκαγιά ή/και σοβαρούς τραυματισμούς.

**Αποθηκεύστε όλες τις προειδοποιήσεις και οδηγίες για μελλοντική αναφορά.** Ο χαρακτηρισμός "ηλεκτρικό εργαλείο" που χρησιμοποιείται στις παρακάτω προειδοποιητικές υποδείξεις αφορά ή το εργαλείο που συνδέεται στην πρίζα (με καλώδιο) ή το εργαλείο που λειτουργεί με μπαταρία (χωρίς καλώδιο).

#### 1. Ασφάλεια χώρου εργασίας

- a. **Διατηρείτε το χώρο που εργάζεστε καθαρό και καλά φωτισμένο.** Η αταξία στο χώρο που εργάζεστε και τα σημεία χωρίς καλό φωτισμό μπορεί να οδηγήσουν σε ατυχήματα.
- b. **Μη χρησιμοποιείτε τα ηλεκτρικά εργαλεία σε περιβάλλον όπου υπάρχει κίνδυνος έκρηξης, π.χ. παρουσία εύφλεκτων υγρών, αερίων ή σκόνης.** Τα ηλεκτρικά εργαλεία μπορεί να δημιουργήσουν σπινθηρισμό ο οποίος μπορεί να αναφλέξει τη σκόνη ή τις αναθυμιάσεις.
- c. **Όταν χρησιμοποιείτε το ηλεκτρικό εργαλείο, κρατάτε τα παιδιά και τα υπόλοιπα άτομα μακριά από το χώρο που εργάζεστε.** Σε περίπτωση που άλλα άτομα αποσπάσουν την προσοχή σας μπορεί να χάσετε τον έλεγχο του μηχανήματος.

#### 2. Ασφαλής χρήση του ηλεκτρικού ρεύματος

- a. **Το φως του καλωδίου του ηλεκτρικού εργαλείου πρέπει να ταιριάζει στην αντίστοιχη πρίζα.** Δεν επιτρέπεται να κανένα τρόπο η μετασκευή του φως. Μη χρησιμοποιείτε προσαρμοστικά φως στα γειωμένα ηλεκτρικά εργαλεία. Τα φως που δεν έχουν υποστεί τροποποιήσεις και οι κατάλληλες πρίζες μειώνουν τον κίνδυνο ηλεκτροπληξίας.
- b. **Αποφεύγετε την επαφή του σώματός σας με γειωμένες επιφάνειες όπως σωλήνες, θερμαντικά σώματα (καλοριφέρ), κουζίνες και ψυγεία.** Όταν το σώμα σας είναι γειωμένο, αυξάνεται ο κίνδυνος ηλεκτροπληξίας.

- c. **Μην εκθέτετε το ηλεκτρικό εργαλείο στη βροχή ή την υγρασία.** Η διείσδυση νερού στο ηλεκτρικό εργαλείο αυξάνει τον κίνδυνο ηλεκτροπληξίας.
- d. **Μην κακομεταχειρίζεστε το καλώδιο.** Μη χρησιμοποιήσετε ποτέ το καλώδιο για να μεταφέρετε, να τραβήξετε ή να αποσυνδέσετε το εργαλείο από την πρίζα. Κρατάτε το καλώδιο μακριά από υψηλές θερμοκρασίες, λάδια, κοφτερές ακμές ή κινούμενα εξαρτήματα. Τυχόν χαλασμένα ή μπερδεμένα καλώδια αυξάνουν τον κίνδυνο ηλεκτροπληξίας.
- e. **Όταν χρησιμοποιείτε το ηλεκτρικό εργαλείο σε εξωτερικούς χώρους, να χρησιμοποιείτε πάντοτε προεκτάσεις (μπαλαντέζες) που έχουν εγκριθεί για χρήση σε εξωτερικούς χώρους.** Η χρήση προεκτάσεων εγκεκριμένων για εργασία σε εξωτερικούς χώρους μειώνει τον κίνδυνο ηλεκτροπληξίας.
- f. **Αν η χρήση του εργαλείου σε μια βρεγμένη περιοχή δεν είναι απόφευκτη, χρησιμοποιήστε μια συσκευή κατάλοιπου ρεύματος (RCD) προστατευόμενης παροχής.** Η χρήση μιας RCD μειώνει τον κίνδυνο ηλεκτροπληξίας.

#### 3. Ασφάλεια προσώπων

- a. **Όταν χρησιμοποιείτε το ηλεκτρικό εργαλείο, να είστε προσεκτικοί, να δίνετε προσοχή στην εργασία που κάνετε και να επιστρατεύετε την κοινή λογική.** **Μη χρησιμοποιείτε το ηλεκτρικό εργαλείο όταν είστε κουρασμένοι ή όταν βρίσκεστε υπό την επίρρεια ναρκωτικών, οινοπνεύματος ή φαρμάκων.** Μια στιγμήα απροσεξία κατά το χειρισμό του ηλεκτρικού εργαλείου μπορεί να οδηγήσει σε σοβαρούς τραυματισμούς.
- b. **Χρησιμοποιήστε προσωπικό εξοπλισμό τραυματισμού. Να φοράτε πάντα προστατευτικά γυαλιά.** Ο προστατευτικός εξοπλισμός όπως μάσκα σκόνης, υποδημάτια ασφαλείας κατά το γλίστρημα, σκληρό καπέλο, ή προστασία ακοής για τις κατάλληλες συνθήκες θα μειώσουν τους σωματικούς τραυματισμούς.
- c. **Να αποφύγετε την εκκίνηση κατά λάθος.** **Επιβεβαιωθείτε ότι ο διακόπτης είναι στην θέση off πριν συνδέσετε την παροχή ρεύματος και/ή τη μπαταρία, πριν πάστε ή μεταφέρετε το εργαλείο.** Η μεταφορά εργαλείων με το δάχτυλο στον διακόπτη ή η ενεργοποίηση εργαλείων με τον διακόπτη στη θέση on μπορεί να οδηγήσει σε ατυχήματα.
- d. **Πριν θέσετε το ηλεκτρικό εργαλείο σε λειτουργία, αφαιρέστε τυχόν εργαλεία ή κλειδιά ρύθμισης.** Ενα εργαλείο ή κλειδί συναρμολογημένο στο περιστρεφόμενο εξάρτημα ενός ηλεκτρικού εργαλείου μπορεί να προκαλέσει τραυματισμούς.
- e. **Μην τεντώνεστε. Φροντίστε πάντοτε να έχετε την κατάλληλη στάση και να διατηρείτε την ισορροπία σας.** Αυτό σας επιτρέπει τον καλύτερο έλεγχο του



- ηλεκτρικού εργαλείου σε περιπτώσεις απροσδόκων καταστάσεων.
- f. Φοράτε κατάλληλη ενδυμασία εργασίας. Μη φοράτε φαρδιά ρούχα ή κοσμήματα. Κρατάτε τα μαλλιά, τα ενδύματα και τα γάντια σας μακριά από τα κινούμενα εξαρτήματα. Τα φαρδιά ρούχα, τα κοσμήματα και τα μακριά μαλλιά μπορεί να εμπλακούν στα κινούμενα εξαρτήματα.
- g. Αν προβλέπονται διατάξεις απαγωγής και συλλογής της σκόνης, βεβαιωθείτε ότι είναι συνδεδεμένες και ότι χρησιμοποιούνται σωστά. Η χρήση της συλλογής της σκόνης μπορεί να μειώσει τους κινδύνους σχετικά με τη σκόνη.
4. Χρήση και συντήρηση του ηλεκτρικού εργαλείου
- a. Μην υπερφορτώνετε το ηλεκτρικό εργαλείο. Χρησιμοποιείτε για την εκάστοτε εργασία σας το ηλεκτρικό εργαλείο που προορίζεται γι' αυτήν. Με το κατάλληλο ηλεκτρικό εργαλείο εργάζεσθε καλύτερα και ασφαλέστερα στην ονομαστική περιοχή ισχύος του.
- b. Μη χρησιμοποιήσετε ποτέ ένα ηλεκτρικό εργαλείο του οποίου ο διακόπτης λειτουργίας είναι χαλασμένος. Ένα ηλεκτρικό εργαλείο του οποίου η λειτουργία δεν μπορεί να ελεγχθεί με το διακόπτη είναι επικίνδυνο και πρέπει να επισκευαστεί.
- c. Αποσυνδέστε το βύσμα από τη πυγμή ρεύματος και/ή το συγκρότημα μπαταρίας πριν κάνετε κάποια ρύθμιση, αλλάζετε τα αξεσουάρ, ή αποθηκεύετε τα ηλεκτρικά εργαλεία. Αυτά τα προληπτικά μέτρα ασφαλείας μειώνουν τον κίνδυνο να τεθεί το μηχάνημα αθέλητα σε λειτουργία.
- d. Να φυλάτε τα ηλεκτρικά εργαλεία που δεν χρησιμοποιείτε μακριά από παιδιά. Μην αφήνετε άτομα που δεν είναι εξοικειωμένα με το ηλεκτρικό εργαλείο ή που δεν έχουν διαβάσει αυτές τις οδηγίες χρήσης να το χρησιμοποιήσουν. Τα ηλεκτρικά εργαλεία είναι επικίνδυνα όταν χρησιμοποιούνται από άπειρα άτομα.
- e. Να συντηρείτε τα ηλεκτρικά εργαλεία. Ελέγξτε εάν τα κινούμενα μέρη είναι σωστά ευθυγραμμισμένα ή αν έχουν μπλοκάρει, εάν έχουν σπάσει κομμάτια και εάν πληρούνται όλες οι υπόλοιπες συνθήκες που ενδεχομένως να επηρεάσουν τη σωστή λειτουργία του εργαλείου. Δώστε τυχόν χαλασμένα εξαρτήματα του ηλεκτρικού εργαλείου για επισκευή πριν το χρησιμοποιήσετε πάλι. Η ανεπαρκής συντήρηση των ηλεκτρικών εργαλείων αποτελεί αιτία πολλών ατυχημάτων.
- f. Διατηρείτε τα κοπτικά εργαλεία κοφτερά και καθαρά. Τα κοπτικά εργαλεία με αιχμηρά κοπτικά άκρα που συντηρούνται σωστά έχουν λιγότερες πιθανότητες να μπλοκάρουν και ελέγχονται ευκολότερα.

- g. Να χρησιμοποιείτε το ηλεκτρικό εργαλείο, τα εξαρτήματα και τις μύτες κλπ σύμφωνα με αυτές τις οδηγίες, λαμβάνοντας υπόψη τις καταστάσεις εργασίας και την εργασία προς εκτέλεση. Η χρήση του ηλεκτρικού εργαλείου για άλλες εκτός από τις προβλεπόμενες εργασίες μπορεί να δημιουργήσει επικίνδυνες καταστάσεις.

## 5. Σέρβις

- a. Το σέρβις του ηλεκτρικού σας εργαλείου πρέπει να αναλαμβάνει έμπειρος τεχνικός που θα χρησιμοποιεί μόνο γνήσια ανταλλακτικά. Ετσι εξασφαλίζεται η διατήρηση της ασφάλειας του ηλεκτρικού εργαλείου.

## Συμπληρωματικές προειδοποιήσεις ασφαλείας για ηλεκτρικά εργαλεία



**Προειδοποίηση!** Συμπληρωματικές προειδοποιήσεις ασφαλείας για τριβεία

- ◆ Κρατήστε το εργαλείο από τις μονωμένες επιφάνειες λαβών γιατί η ζώνη μπορεί να ακουμπάει το καλώδιο του. Η κοπή ενός καλωδίου με ρεύμα μπορεί να εκθέτει μεταλλικά κομμάτια του εργαλείου που έχουν ρεύμα και ο χειριστής να υποστεί ηλεκτροπληξία.
- ◆ Χρησιμοποιήστε σφινκτères η κάποιο άλλο πρακτικό μέσο για να ασφαλίστε και στηρίξτε το τεμάχιο εργασίας σε μια σταθερή επιφάνεια. Το κράτημα με το χέρι η με το σώμα σας το κάνει ασταθές και μπορεί να οδηγήσει στο χάσιμο έλεγχου.
- ◆ Προειδοποίηση! Η επαφή με την σκόνη που σηκώνεται από τις εφαρμογές λείανσης ή η εισπνοή της μπορεί να βάλει σε κίνδυνο τη ζωή του χειριστή και των πιθανών παρευρισκόμενων. Φορέστε μάσκα σκόνης ειδικά σχεδιασμένη για προστασία έναντι της σκόνης και των αναθυμιάσεων από χρώματα με μόλυβδο και βεβαιωθείτε ότι τα άτομα που βρίσκονται, ή εισέρχονται, στο χώρο εργασίας είναι επίσης προστατευμένα.
- ◆ Μετά τη λείανση, καθαρίστε καλά τη σκόνη.
- ◆ Να προσέχετε ιδιαίτερα κατά τη λείανση χρωμάτων, τα οποία ενδέχεται να έχουν ως βάση τον μόλυβδο ή κατά τη λείανση ορισμένων ειδών ξύλου και μετάλλου, τα οποία ενδέχεται να παράγουν τοξική σκόνη:
  - Μην επιτρέπετε σε παιδιά ή εγκύους να εισέρχονται στο χώρο εργασίας.
  - Μην τρώτε, πίνετε ή καπνίζετε στο χώρο εργασίας.
  - Αφαιρέστε όλα τα σωματίδια της σκόνης και τα άλλα υπολείμματα.
- ◆ Αυτό το εργαλείο δεν προσδιορίζεται για χρήση από άτομα (συμπεριλαμβάνοντας και τα παιδιά) με ελαττωμένες φυσικές, αισθητήριες και ψυχικές δυνατότητες, ή έλλειψη εμπειρίας και γνώσης, εκτός αν υπάρχει επιτήρηση ή οδηγίες για τη χρήση της συσκευής

από έναν υπεύθυνο άτομο για την ασφάλεια τους. Τα παιδιά πρέπει να επιτηρηθούν για να βεβαιωθείτε ότι δεν παίζουν με το εργαλείο.

- ◆ Η ενδεδειγμένη χρησιμοποίηση αναφέρεται σε αυτές τις οδηγίες χρήσεως. Τόσο η χρήση εξαρτημάτων ή προσθηκών όσο και η πραγματοποίηση εργασιών που δεν συνιστώνται στις οδηγίες αυτές εγκυμονεί κίνδυνο τραυματισμού και/ή περιουσίας.

### Ασφάλεια άλλων

- ◆ Αυτή η συσκευή δεν προσδιορίζεται για χρήση από άτομα (συμπεριλαμβάνοντας και τα παιδιά) με ελαττωμένες φυσικές, αισθητήριες και ψυχικές δυνατότητες, ή έλλειψη εμπειρίας και γνώσης, εκτός αν υπάρχει επιτήρηση ή οδηγίες για τη χρήση της συσκευής από έναν υπεύθυνο άτομο για την ασφάλεια τους.
- ◆ Τα παιδιά πρέπει να επιτηρηθούν για να βεβαιωθείτε ότι δεν παίζουν με τη συσκευή.

### Αναπόφευκτοι κίνδυνοι.

Μπορεί να προκληθούν επιπρόσθετοι αναπόφευκτοι κίνδυνοι όταν χρησιμοποιείτε το εργαλείο οι οποίοι μπορεί να μη συμπεριλαμβάνονται στις προειδοποιήσεις ασφαλείας που εσωκλείονται. Αυτοί οι κίνδυνοι μπορεί να προκληθούν από κακή χρήση, παρατεταμένη χρήση κτλ.

Ακόμα και με την τήρηση των σχετικών κανονισμών ασφαλείας και τη χρήση μέσων προστασίας, ορισμένοι κίνδυνοι δεν είναι δυνατόν να εξαλειφθούν. Αυτοί περιλαμβάνουν:

- ◆ Τραυματισμούς από το άγγιγμα των περιστρεφόμενων/κινούμενων μερών.
- ◆ Τραυματισμούς από αλλαγή οποιωνδήποτε εξαρτημάτων, λεπίδων ή αξεσουάρ.
- ◆ Τραυματισμούς από παρατεταμένη χρήση του εργαλείου. Όταν χρησιμοποιείτε οποιοδήποτε εργαλείο για παρατεταμένες χρονικές περιόδους βεβαιωθείτε ότι κάνετε τακτικά διαλείμματα.
- ◆ Προβλήματα ακοής.
- ◆ Κίνδυνοι στην υγεία που προκαλούνται από την εισπνοή σκόνης όταν χρησιμοποιείτε το εργαλείο (παράδειγμα:- όταν επεξεργάζεστε ξύλο, ειδικά δρυς, οξιά και MDF.)

### Δόνηση

Οι δηλωμένες τιμές εκπομπής δόνησης στον τομέα τεχνικών χαρακτηριστικών και στη δήλωση συμμόρφωσης έχουν μετρηθεί σύμφωνα με μια πρότυπη μέθοδος δοκιμής παρεχόμενη από το EN 60745 και μπορεί να χρησιμοποιηθεί για την σύγκριση ενός εργαλείου με ένα άλλο. Η δηλωμένη τιμή εκπομπής δόνησης μπορεί να χρησιμοποιηθεί επίσης σε μια προκαταρκτική εκτίμηση έκθεσης.

**Προσοχή!** Η τιμή εκπομπής δόνησης κατά τη παρόν χρήση του ηλεκτρικού εργαλείου μπορεί να διαφέρει από τη δηλωμένη τιμή αναλόγως με τον τρόπο που χρησιμοποιείται το εργαλείο. Το επίπεδο δόνησης μπορεί να αυξηθεί πάνω από το δηλωμένο επίπεδο.

Κατά την εκτίμηση έκθεσης στη δόνηση για να αποφασιστούν τα μέτρα ασφαλείας που απαιτούνται από το 2002/44/ΕΚ για την προστασία ατόμων που χρησιμοποιούν τακτικά το εργαλείο, πρέπει να ληφθεί υπόψη μια εκτίμηση έκθεσης δόνησης, οι παρόν καταστάσεις χρήσης και ο τρόπος χρήσης εργαλείου, συμπεριλαμβάνοντας όλα τα μερί του κύκλου εργασίας όπως πόσες φορές σβήνεται το εργαλείο και όταν δουλεύει χωρίς φορτίο πρόσθετα πόσες φορές πατιέται η σκανδάλη.

### Ετικέτες επάνω στο εργαλείο

Πάνω στο εργαλείο υπάρχουν οι εξής σχηματικές απεικονίσεις:



**Προσοχή!** Για να μειώσετε τον κίνδυνο τραυματισμού, ο χρήστης πρέπει να διαβάσει το εγχειρίδιο οδηγιών.



Τοποθετήστε το σάκο σκόνης ή την κασέτα συλλογής σκόνης πριν τη χρήση του εργαλείου σε ξύλινα τεμάχια εργασίας.



Αφαιρέστε τη σακούλα συλλογής σκόνης ή την κασέτα συλλογής σκόνης και τοποθετήστε τον ανακλαστήρα πριν τη χρήση του εργαλείου σε κομμάτια εργασίας που περιέχουν μέταλλο.

### Ασφαλής χρήση του ηλεκτρικού ρεύματος



Αυτό το εργαλείο φέρει διπλή μόνωση, επομένως δεν απαιτείται σύρμα γείωσης. Ελέγχετε πάντοτε αν η τάση τροφοδοσίας αντιστοιχεί σε αυτήν που αναγράφεται στην πινακίδα στοιχείων του εργαλείου.

- ◆ Αν το καλώδιο ρεύματος έχει υποστεί βλάβη, πρέπει να αντικατασταθεί από τον κατασκευαστή ή από εξουσιοδοτημένο Κέντρο Επισκευών Black & Decker ώστε να αποφύγετε τους κινδύνους.

### Χαρακτηριστικά

Το εργαλείο σας διαθέτει όλα ή ορισμένα από τα εξής χαρακτηριστικά:

1. Διακόπτης on/off
2. Κουμπί ρύθμισης ταχύτητας
3. Πλήκτρο ασφαλίσης
4. Βοηθητική λαβή
5. Μοχλός τάνυσης του ιμάντα

6. Κουμπί ευθυγράμμισης ιμάντα
7. Ευθύς βραχίονας

**Εικ. Α**

8. Στενός βραχίονας
9. Κεκαμμένος βραχίονας

**Εικ. D**

10. Κασέτα συλλογής σκόνης
11. Ανακλαστήρας

**Συναρμολογηση**

**Προειδοποίηση!** Πριν από τη συναρμολόγηση, βεβαιωθείτε ότι το εργαλείο είναι σθηστό και ότι το φως του δεν είναι στην πρίζα.

**Τοποθέτηση και αφαίρεση των βραχιόνων λείανσης (εικ. Α & Β)**

Το εργαλείο συνοδεύεται από τα εξής βραχίονια λείανσης:

- ◆ Ευθύς βραχίονας (7), πλάτος λείανσης 13 mm
- ◆ Στενό βραχίονα (8), πλάτος λείανσης 6 mm για σύνθετες εργασίες
- ◆ Στροφαλοφόρο βραχίονα (9) για χάραξη ή λείανση στο κέντρο των τεμαχίων εργασίας και για απόκτηση πρόσβασης σε περιορισμένους χώρους

Πριν από την πρώτη χρήση, πρέπει να τοποθετήσετε τον βραχίονα λείανσης στο εργαλείο.

**Προσαρμογή**

- ◆ Βεβαιωθείτε ότι ο μοχλός τάνυσης του ιμάντα (5) βρίσκεται στη θέση που φαίνεται.
- ◆ Χαλαρώστε και αφαιρέστε το κουμπί ευθυγράμμισης του ιμάντα (6).
- ◆ Αφαιρέστε την ταινία που συγκρατεί το ελατήριο (12) (αν διατίθεται).
- ◆ Βεβαιωθείτε ότι το ελατήριο (12) βρίσκεται στην οπή στήριξής του.
- ◆ Τοποθετήστε τον βραχίονα ως φαίνεται.
- ◆ Τοποθετήστε το κουμπί ευθυγράμμισης του ιμάντα (6) και σφίξτε το έως ότου ο βραχίονας (7) να ευθυγραμμιστεί με το εργαλείο.

**Αφαίρεση**

- ◆ Αφαιρέστε τη ζώνη λείανσης (13) (αν διατίθεται) ως περιγράφεται παρακάτω.
- ◆ Χαλαρώστε και αφαιρέστε το κουμπί ευθυγράμμισης του ιμάντα (6).
- ◆ Αφαιρέστε το βραχίονα.

**Προειδοποίηση!** Βεβαιωθείτε ότι το ελατήριο δεν έχει χαλαρώσει (12).

**Τοποθέτηση και αφαίρεση των ιμάντων λείανσης (εικ. Β)**

**Προειδοποίηση!** Το ελατήριο πρέπει να τοποθετηθεί. Βεβαιωθείτε ότι το ελατήριο δεν έχει χαλαρώσει (12).

**Προσαρμογή**

- ◆ Μετακινήστε το μοχλό τάνυσης του ιμάντα (5) προς τα εμπρός (Α).
- ◆ Βεβαιωθείτε ότι τα βέλη στο εσωτερικό του ιμάντα λείανσης (13) βρίσκονται στην ίδια κατεύθυνση με τα βέλη (14) που βρίσκονται στο περίβλημα του εργαλείου.
- ◆ Τοποθετήστε τον ιμάντα λείανσης (13) πάνω από την μπροστινή (15) και την πίσω (16) τροχαλία, σύροντάς το μέσω της εγκοπής του περιβλήματος.
- ◆ Μετακινήστε το μοχλό τάνυσης του ιμάντα (5) προς τα πίσω (Β).
- ◆ Ρυθμίστε την ευθυγράμμιση του ιμάντα ως περιγράφεται παρακάτω.

**Αφαίρεση**

- ◆ Μετακινήστε το μοχλό τάνυσης του ιμάντα (5) προς τα εμπρός (Α).
- ◆ Σύρετε τον ιμάντα λείανσης (13) από τις τροχαλίες.

**Ρυθμίστε την ευθυγράμμιση του ιμάντα λείανσης (εικ. C)**

- ◆ Θέστε σε λειτουργία τη μηχανή.
- ◆ Στρέψτε το κουμπί ευθυγράμμισης του ιμάντα (6) ως απαιτείται έως ότου ο ιμάντας λείανσης (13) ξεδιπλωθεί κατά μήκος του βραχίονα.

**Τοποθέτηση και αφαίρεση της κασέτας συλλογής σκόνης (εικ. D & E)**

**Προειδοποίηση!** Αφαιρέστε πάντα την κασέτα συλλογής σκόνης και τοποθετήστε τον ανακλαστήρα όταν χρησιμοποιείται το εργαλείο σε μεταλλικά κομμάτια εργασίας.

- ◆ Τοποθετήστε την κασέτα συλλογής σκόνης (10) πάνω στην έξοδο σκόνης.
- ◆ Σύρετε το αντικείμενο στο εργαλείο και βεβαιωθείτε ότι έχει ασφαλιστεί σωστά.
- ◆ Για να αφαιρέσετε την κασέτα συλλογής σκόνης, τραβήξτε την προς τα πίσω και βγάλτε την από την έξοδο.

**Τοποθέτηση και αφαίρεση του ανακλαστήρα (εικ. D & E)**

**Προειδοποίηση!** Ο ανακλαστήρας πρέπει να χρησιμοποιηθεί κατά τη λείανση μεταλλικών κομματιών εργασίας.

- ◆ Τοποθετήστε τον ανακλαστήρα (11) στην έξοδο σκόνης.
- ◆ Σύρετε τον ανακλαστήρα στο εργαλείο και βεβαιωθείτε ότι έχει ασφαλιστεί σωστά.
- ◆ Για να αφαιρέσετε τον ανακλαστήρα, τραβήξτε το σάκο σκόνης προς τα πίσω και βγάλτε τον από την έξοδο.

## Χρήση

**Προειδοποίηση!** Αφήστε το εργαλείο να λειτουργήσει με το δικό του ρυθμό. Μην το υπερφορτώνετε.

### Ελεγχος μεταβλητής ταχύτητας (εικ. G)

Η ρύθμιση ταχυτήτων σας επιτρέπει να προσαρμόσετε την ταχύτητα του εργαλείου με το υλικό τεμαχίου εργασίας.

- ◆ Ρυθμίστε το κουμπί ελέγχου (2) στην επιθυμητή θέση. Χρησιμοποιήστε υψηλή ταχύτητα για χρήση σε ξύλο, μέση ταχύτητα για χρήση σε καπλαμά και συνθετικά, και χαμηλή ταχύτητα για χρήση σε μη σιδηρούχα μέταλλα και για την αφαίρεση βαφής.

### Θέση εντός και εκτός λειτουργίας (εικ. G)

- ◆ Για να θέσετε σε λειτουργία το εργαλείο, πατήστε το διακόπτη on/off (1).
- ◆ Για διαρκή λειτουργία, πατήστε το κουμπί ασφάλισης (2) και απελευθερώστε τον διακόπτη on/off (1).
- ◆ Για να σβήσετε το εργαλείο, αφήστε το διακόπτη on/off (1).
- ◆ Για να σβήσετε το εργαλείο όταν βρίσκεται σε κατάσταση συνεχόμενης λειτουργίας, πατήστε μία φορά το διακόπτη on/off (1) και ύστερα αφήστε τον.

### Αδειασμα της κασέτας συλλογής σκόνης (εικ. F)

Πρέπει να αδειάζετε την κασέτα συλλογής σκόνης (10) μετά από κάθε 10 λεπτά χρήσης.

- ◆ Τραβήξτε την κασέτα συλλογής σκόνης (10) στο πίσω εξωτερικό μέρος του εργαλείου.
- ◆ Βγάλετε το κάλυμμα (17) στρέφοντας αριστερόστροφα.
- ◆ Κρατήστε την κασέτα συλλογής σκόνης (10) με το φίλτρο (18) στραμμένο προς τα κάτω και τινάξτε την κασέτα συλλογής σκόνης (10) για να αδειάσει το περιεχόμενο της.
- ◆ Ανακινήστε το κάλυμμα (17) για να αδειάσει.
- ◆ Επαναποθετήστε το κάλυμμα (17) στη κασέτα συλλογής σκόνης (10), στρέφοντας το δεξιόστροφα μέχρι να κλειδωθεί.
- ◆ Επαναποθετήστε την κασέτα συλλογής σκόνης (10) στο εργαλείο.

### Καθαρισμός της κασέτας συλλογής σκόνης (εικ. F)

**Προειδοποίηση!** Μην βουρτσίζετε ή μη χρησιμοποιείτε αέρα υπό πίεση ή αυχημένα αντικείμενα για να καθαρίσετε το φίλτρο. Μην πλένετε το φίλτρο.

- ◆ Το φίλτρο της κασέτας σκόνης (18) μπορεί να ξαναχρησιμοποιηθεί και θα πρέπει να καθαρίζεται τακτικά.
- ◆ Αδειάστε την κασέτα σκόνης (10) όπως περιγράφεται παραπάνω.
- ◆ Βγάλτε το φίλτρο (18) από την κασέτα (14).
- ◆ Τινάξτε την περίσσεια της σκόνης, κτυπώντας ελαφρά το φίλτρο (18) μέσα σε έναν σκουπιδοτενεκέ.
- ◆ Επαναποθετήστε το φίλτρο (18).
- ◆ Τοποθετήστε το κάλυμμα (17).

- ◆ Σύρετε την κασέτα συλλογής σκόνης (10) στο εργαλείο και βεβαιωθείτε ότι έχει ασφαλιστεί σωστά.

### Ειδικές εφαρμογές (εικ. H, I & J)

#### Κεκαμμένος βραχίονας (εικ. H)

- ◆ Χρησιμοποιήστε το τμήμα A για χάραξη ή λείανση των τεμαχίων εργασίας στο κέντρο και σε περιορισμένους χώρους.
- ◆ Χρησιμοποιήστε το τμήμα B για καμπυλωτές επιφάνειες.

#### Ευθύς βραχίονας (εικ. I)

- ◆ Χρησιμοποιήστε φυσιολογικό ή στενό βραχίονα για γενική χρήση, για δημιουργία σχισμών και δεσμών.

#### Στενός βραχίονας (εικ. J)

- ◆ Χρησιμοποιήστε το στενό βραχίονα για να τελειοποιήσετε την κοπή και τη σμίλευση.

### Συμβουλές για άριστη χρήση

- ◆ Πάντα να κρατάτε το εργαλείο και με τα δυο χέρια.
- ◆ Μην ασκείτε μεγάλη πίεση στο εργαλείο.
- ◆ Να ελέγχετε τακτικά την κατάσταση του ιμάντα λείανσης (12). Να το αντικαθιστάτε όταν το κρίνετε απαραίτητο.
- ◆ Να λειανίετε πάντα σύμφωνα με τη φορά των "νερών" του ξύλου.
- ◆ Όταν λειανίετε νέα στρώματα βαφής πριν να χρησιμοποιήσετε άλλη βαφή, χρησιμοποιήστε πολύ ψιλό γυαλόχαρτο.
- ◆ Σε πολύ ανώμαλες επιφάνειες, ή όταν αφαιρείτε στρώματα βαφής, ξεκινήστε με χοντρό γυαλόχαρτο. Σε άλλες επιφάνειες, χρησιμοποιήστε γυαλόχαρτο μέσου μεγέθους κόκκου. Και στις δυο περιπτώσεις, αλλάξτε σταδιακά σε ψιλότερο γυαλόχαρτο για να είναι λεία η επιφάνεια μετά την επεξεργασία.
- ◆ Συμβουλευτείτε τον έμπορό σας για περισσότερες πληροφορίες σχετικά με τα διαθέσιμα αξεσουάρ.

### Συντήρηση

Το εργαλείο σας έχει σχεδιαστεί έτσι ώστε να λειτουργεί για μεγάλη χρονική περίοδο με την ελάχιστη δυνατή συντήρηση. Η αδιάλειπτη και κανονική λειτουργία του εργαλείου εξαρτάται από τη φροντίδα και τον τακτικό καθαρισμό.

**Προειδοποίηση!** Πριν από οποιαδήποτε εργασία συντήρησης στο εργαλείο, θα πρέπει να το σβήσετε και να το βγάλετε από την πρίζα.

- ◆ Να καθαρίζετε τακτικά τις εγχοπές εξερισμού του εργαλείου σας χρησιμοποιώντας μαλακή βούρτσα ή στεγνό πανί.
- ◆ Να καθαρίζετε τακτικά το περίβλημα του μοτέρ χρησιμοποιώντας ένα υγρό πανί. Μη χρησιμοποιείτε αποξεστικά καθαριστικά ή υγρά καθαρισμού που περιέχουν διαλύτες.

## Διάθεση εργαλείων και περιβάλλον



Ξεχωριστή συλλογή. Αυτό το προϊόν δεν πρέπει να απορριφθεί με συνηθισμένα σπαστικά απορρίμματα.

Εάν κάποια μέρα διαπιστώσετε ότι το προϊόν σας Black & Decker χρειάζεται αντικατάσταση ή δεν σας χρησιμεύει πλέον, μην το απορρίψετε με τα σπαστικά απορρίμματα. Κάντε αυτό το προϊόν διαθέσιμο για ξεχωριστή συλλογή.



Η ξεχωριστή συλλογή χρησιμοποιημένων προϊόντων και συσκευασιών επιτρέπει την ανακύκλωση υλικών. Η επανάχρηση ανακυκλωμένων υλικών βοηθάει την προστασία του περιβάλλον και μειώνει την ζήτηση για σπάνια υλικά.

Οι τοπικοί κανονισμοί μπορεί να παρέχουν ξεχωριστή συλλογή ηλεκτρικών προϊόντων από κατοικίες, δημοτικές τοποθεσίες απορριμμάτων ή από τον έμπορα όταν αγοράσατε το καινούργιο προϊόν.

Η Black & Decker δίνει τη δυνατότητα συλλογής και ανακύκλωσης των προϊόντων της που έχουν συμπληρώσει τη διάρκεια ζωής τους. Αν θέλετε να χρησιμοποιήσετε την εν λόγω υπηρεσία, επιστρέψτε το προϊόν σας σε οποιοδήποτε εξουσιοδοτημένο κέντρο επισκευών, όπου θα το παραλάβουν εκ μέρους σας.

Ενημερωθείτε για το πλησιέστερο κέντρο επισκευών της περιοχής σας, επικοινωνώντας με τα γραφεία της Black & Decker στη διεύθυνση που αναγράφεται στο εγχειρίδιο. Επίσης, για να πληροφορηθείτε τα εξουσιοδοτημένα κέντρα επισκευών της Black & Decker και τις λεπτομέρειες και τους αρμόδιους των υπηρεσιών που παρέχονται μετά την πώληση, μπορείτε να ανατρέξετε στο Διαδίκτυο στη διεύθυνση: [www.2helpU.com](http://www.2helpU.com)

### Τεχνικά χαρακτηριστικά

	KA902E Typ.1
Τάση	V <sub>AC</sub> 230
Ισχύς εισόδου	W 400
Ταχύτητα άφορτου κίνησης	min <sup>-1</sup> 900-1.600
Βάρος	kg 1,6

Στάθμη πίεσης ήχου σύμφωνα με το πρότυπο EN 60745:  
Πίεση ήχου (L<sub>pA</sub>) 84 dB(A), αβεβαιότητα (K) 3 dB(A)  
Ακουστική ισχύς (L<sub>WA</sub>) 95 dB(A), αβεβαιότητα (K) 3 dB(A)

Τιμές συνολικής δόνησης (άθροισμα τριαξονικών ανυσμάτων) αποφασισμένο σύμφωνα με EN 60745:  
Τιμή εκπομπής δόνησης (a<sub>v</sub>) 1,7 m/s<sup>2</sup>,  
αβεβαιότητα (K) 1,5 m/s<sup>2</sup>

## Δήλωση συμμόρφωσης με την Ευρωπαϊκή Κοινότητα

ΟΔΗΓΙΑ ΠΕΡΙ ΜΗΧΑΝΗΜΑΤΩΝ



Η Black & Decker δηλώνει ότι αυτά τα προϊόντα που περιγράφονται στον τομέα "τεχνικά χαρακτηριστικά" είναι σε συμμόρφωση με:

2006/42/EK, EN 60745-1, EN 60745-2-4

Για περισσότερες πληροφορίες, επικοινωνήστε με τη Black & Decker στη διεύθυνση που ακολουθεί ή στο πίσω μέρος του εγχειριδίου.

Ο υπογεγραμμένος είναι υπεύθυνος για τη σύνταξη του τεχνικού αρχείου και κάνει την παρών δήλωση εκ μέρους της Black & Decker.

Kevin Hewitt

Vice-President Global Engineering  
Black & Decker Europe, 210 Bath Road, Slough,  
Berkshire, SL1 3YD  
Ηνωμένο Βασίλειο  
15/03/2010

## Εγγύηση

Η Black & Decker είναι σίγουρη για την ποιότητα των προϊόντων της και παρέχει σημαντική εγγύηση. Η παρούσα γραπτή εγγύηση αποτελεί πρόσθετο δικαίωμά σας και δεν ζημιώνει τα συνταγματικά σας δικαιώματα. Η εγγύηση ισχύει εντός της επικράτειας των Κρατών Μελών της Ευρωπαϊκής Ένωσης και της Ευρωπαϊκής Ζώνης Ελευθέρων Συναλλαγών.

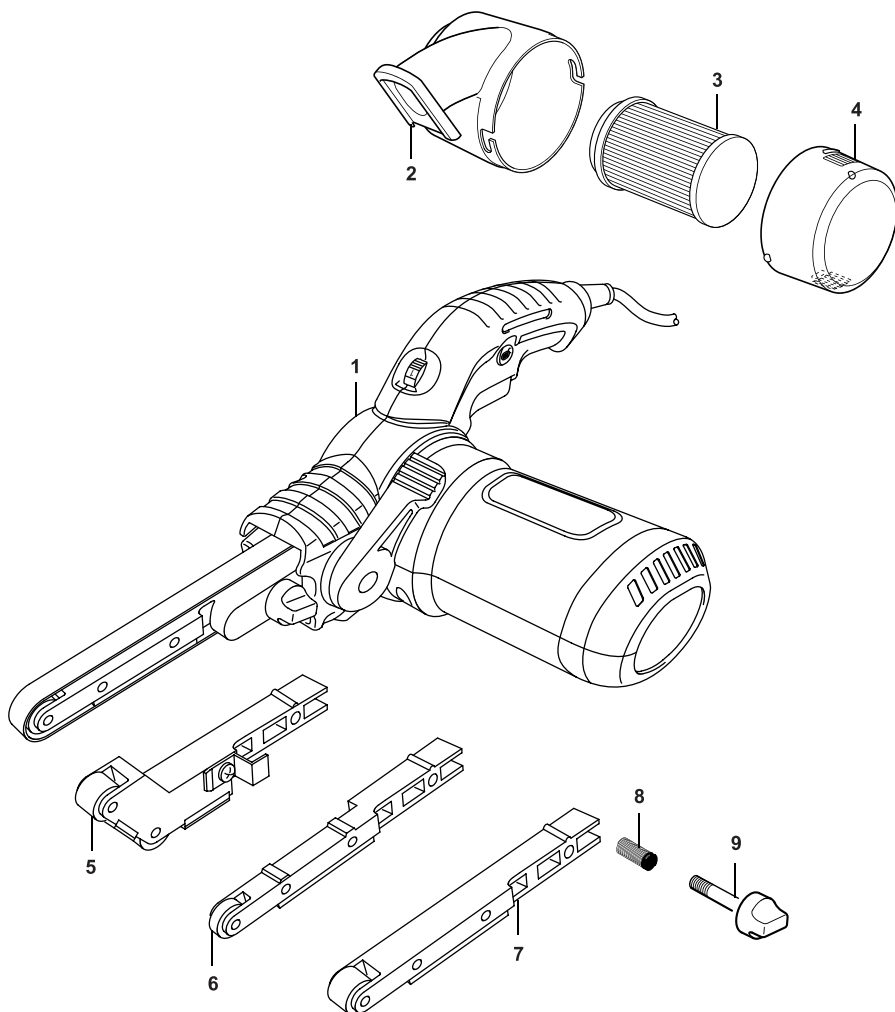
Σε περίπτωση που κάποιο προϊόν της Black & Decker παρουσιάσει βλάβη εξαιτίας ελαττωματικών υλικών, ποιότητας εργασίας ή έλλειψης συμφωνίας με τις προδιαγραφές εντός 24 μηνών από την ημερομηνία αγοράς, η Black & Decker εγγυάται την αντικατάσταση των ελαττωματικών τμημάτων, την επισκευή προϊόντων που έχουν υποστεί εύλογη φθορά λόγω χρήσης ή την αντικατάσταση των προϊόντων προκειμένου να εξασφαλίσει την ελάχιστη ενόχληση στους πελάτες της, εκτός αν:

- ◆ Το προϊόν έχει χρησιμοποιηθεί σε εργασιακό, επαγγελματικό περιβάλλον ή αν έχει ενοικιαστεί
- ◆ Έχει γίνει εσφαλμένη χρήση του προϊόντος ή αν έχει παραμεληθεί
- ◆ Το προϊόν έχει υποστεί βλάβη από άλλα αντικείμενα, από ουσίες ή λόγω ατυχήματος
- ◆ Έχει γίνει προσπάθεια επισκευής από μη εξουσιοδοτημένα κέντρα επισκευών ή από προσωπικό που δεν ανήκει στο προσωπικό της Black & Decker

Για να ισχύσει η εγγύηση, πρέπει να υποβάλετε απόδειξη αγοράς στον πωλητή ή το εξουσιοδοτημένο κέντρο επισκευών. Ενημερωθείτε για το πλησιέστερο κέντρο επισκευών της περιοχής σας, επικοινωνώντας με τα γραφεία της Black & Decker στη διεύθυνση που αναγράφεται στο εγχειρίδιο. Επίσης, για να πληροφορηθείτε για τα εξουσιοδοτημένα κέντρα επισκευών της Black & Decker, τις λεπτομέρειες και τους αρμόδιους των υπηρεσιών που παρέχονται μετά την πώληση, μπορείτε να ανατρέξετε στο Διαδίκτυο στη διεύθυνση: [www.2helpU.com](http://www.2helpU.com)

Παρακαλούμε να επισκεφτείτε την ιστοσελίδα μας [www.blackanddecker.eu](http://www.blackanddecker.eu) για να καταχωρήσετε το νέο σας προϊόν Black & Decker και για να ενημερώνεστε για τα νέα προϊόντα και τις ειδικές προσφορές. Περισσότερες πληροφορίες σχετικά με τη μάρκα Black & Decker και τη σειρά προϊόντων μας θα βρείτε στη διεύθυνση [www.blackanddecker.eu](http://www.blackanddecker.eu)

Partial support - Only parts shown available  
Nur die aufgeführten teile sind lieferbar  
Reparation partielle - Seules les pieces indiquees sont disponibles  
Supporto parziale - Sono disponibili soltanto le parti evidenziate  
Solo estan disponibles las peizas listadas  
So se encontran disponibles as pecas listadas  
Gedeeltelijke ondersteuning - alleen de getoonde onderdelen  
zijn beschikbaar









ENGLISH

**Do not forget to register your product!**

[www.blackanddecker.co.uk/productregistration](http://www.blackanddecker.co.uk/productregistration)

Register your product online at [www.blackanddecker.co.uk/productregistration](http://www.blackanddecker.co.uk/productregistration) or send your name, surname and product code to Black & Decker in your country.

DEUTSCH

**Vergessen Sie nicht, Ihr Produkt registrieren zu lassen!**

[www.blackanddecker.de/productregistration](http://www.blackanddecker.de/productregistration)

Lassen Sie Ihr Produkt unter [www.blackanddecker.de/productregistration](http://www.blackanddecker.de/productregistration) online registrieren oder schicken Sie Ihren Nachnamen, Vornamen und den Produktcode an Black & Decker in Ihrem Land.

FRANÇAIS

**N'oubliez pas d'enregistrer votre produit !**

[www.blackanddecker.fr/productregistration](http://www.blackanddecker.fr/productregistration)

Enregistrez votre produit en ligne sur [www.blackanddecker.fr/productregistration](http://www.blackanddecker.fr/productregistration) ou envoyez vos nom, prénom et code produit à Black & Decker dans votre pays.

ITALIANO

**Non dimenticate di registrare il prodotto!**

[www.blackanddecker.it/productregistration](http://www.blackanddecker.it/productregistration)

Registrate il prodotto online su [www.blackanddecker.it/productregistration](http://www.blackanddecker.it/productregistration) o inviate nome, cognome e codice del prodotto al centro Black & Decker del vostro paese.

NEDERLANDS

**Vergeet niet uw product te registreren!**

[www.blackanddecker.nl/productregistration](http://www.blackanddecker.nl/productregistration)

U kunt uw product online registreren op [www.blackanddecker.nl/productregistration](http://www.blackanddecker.nl/productregistration) of u kunt uw voornaam, achternaam en productcode opsturen naar Black & Decker in uw land.

ESPAÑOL

**¡No olvide registrar su producto!**

[www.blackanddecker.es/productregistration](http://www.blackanddecker.es/productregistration)

Registre su producto on-line en [www.blackanddecker.es/productregistration](http://www.blackanddecker.es/productregistration) o envíe su nombre, apellidos y código de producto a Black & Decker en su país.

PORTUGUÊS

**Não se esqueça de registar o seu produto!**

[www.blackanddecker.pt/productregistration](http://www.blackanddecker.pt/productregistration)

Registe o seu produto online em [www.blackanddecker.pt/productregistration](http://www.blackanddecker.pt/productregistration) ou envie o seu nome, apelido e código do produto para a Black & Decker no seu país.

SVENSKA

**Glöm inte att registrera produkten!**

[www.blackanddecker.se/productregistration](http://www.blackanddecker.se/productregistration)

Registrera produkten online på [www.blackanddecker.se/productregistration](http://www.blackanddecker.se/productregistration) eller skicka namn och produktkod till Black & Decker i landet du bor i.

NORSK

**Ikke glem å registrere produktet ditt!**

[www.blackanddecker.no/productregistration](http://www.blackanddecker.no/productregistration)

Registrer produktet ditt online på [www.blackanddecker.no/productregistration](http://www.blackanddecker.no/productregistration), eller send ditt navn, etternavn og produktkode til Black & Decker i ditt eget land.

DANSK

**Glem ikke at registrere dit produkt!**

[www.blackanddecker.dk/productregistration](http://www.blackanddecker.dk/productregistration)

Registrer dit produkt på internettet på: [www.blackanddecker.dk/productregistration](http://www.blackanddecker.dk/productregistration) eller send dit navn, efternavn og produktkode til Black & Decker i dit eget land.

SUOMI

**Muistathan rekisteröidä tuotteesi!**

[www.blackanddecker.fi/productregistration](http://www.blackanddecker.fi/productregistration)

Rekisteröi tuotteesi verkossa osoitteessa [www.blackanddecker.fi/productregistration](http://www.blackanddecker.fi/productregistration) tai lähetä etunimesi, sukunimesi ja tuotekoodi oman maasi Black & Decker -edustajalle.

ΕΛΛΗΝΙΚΑ

**Μην ξεχάσετε να καταχωρίσετε το προϊόν σας!**

[www.blackanddecker.gr/productregistration](http://www.blackanddecker.gr/productregistration)

Καταχωρίστε το προϊόν σας σε σύνδεση στη σελίδα [www.blackanddecker.gr/productregistration](http://www.blackanddecker.gr/productregistration) ή στείλτε το όνομα, επίθετο σας και τον κωδικό προιωντός στη Black & Decker στη χώρα σας.

<b>België/Belgique</b>	Black & Decker (Belgium) N.V. Nieuwlandlaan 7 I.Z. Aarschot B156 3200 Aarschot	Tel. Fax	016 68 91 00 016 68 91 11
<b>Danmark</b>	Black & Decker Sluseholmen 2-4, 2450 København SV Internet: <a href="http://www.blackanddecker.dk">www.blackanddecker.dk</a>	Tel. Fax	70 20 15 10 70 22 49 10
<b>Deutschland</b>	Black & Decker GmbH Black & Decker Str. 40, D - 65510 Idstein	Tel. Fax	06126/21 - 0 06126/21 29 80
<b>Ελλάδα</b>	Black & Decker (Ελλάς) Α.Ε. Σπύρωνος 7 & Λεωφ. Βουλιαγμένης 159 166 74 Γλυφάδα - Αθήνα	Τηλ. Φαξ <a href="http://www.blackanddecker.eu">www.blackanddecker.eu</a>	210 8981616 210 8983285
<b>España</b>	Black & Decker Ibérica, S.C.A. Parc de Negocis "Mas Blau" Edificio Muntadas, c/Bergadá, 1, Of. A6 08820 El Prat de Llobregat (Barcelona)	Tel. Fax	934 797 400 934 797 419
<b>France</b>	Black & Decker (France) S.A.S. 5 allée des Hêtres B.P. 30084 69579 Limonest Cédex	Tel. Fax	04 72 20 39 20 04 72 20 39 00
<b>Helvetia</b>	ROFO AG Gewerbezone Seeblick 3213 Kleinbödingen	Tel. Fax	026-6749391 026-6749394
<b>Italia</b>	Black & Decker Italia SpA Viale Elvezia 2 20052 Monza (MI)	Tel. Fax Numero verde	039-23871 039-2387592/2387594 800-213935
<b>Nederland</b>	Black & Decker Benelux Joulehof 12, 4622 RG Bergen op Zoom	Tel. Fax	0164 - 283000 0164 - 283100
<b>Norge</b>	Black & Decker (Norge) A/S Postboks 4814, Nydalen, 0422 Oslo Internet: <a href="http://www.blackanddecker.no">www.blackanddecker.no</a>	Tlf. Fax	22 90 99 00 22 90 99 01
<b>Österreich</b>	Black & Decker Vertriebsges.m.b.H Oberlaaerstraße 246, A1100 Wien	Tel. Fax	01 66116-0 01 66116-14
<b>Portugal</b>	Black & Decker Rua Egas Moniz 173 S. João do Estoril 2766-651 Estoril	Tel. Fax	214667500 214667580
<b>Suomi</b>	Black & Decker Oy Keilasatama 3, 02150 Espoo Black & Decker Oy, Kägelhamnen 3, 02150 Esbo	Puh. Faksi Tel. Fax	010 400 430 (09) 2510 7100 010 400 430 (09) 2510 7100
<b>Sverige</b>	Black & Decker AB Box 94, 431 22 Mölndal	Tel. Fax	031-68 60 60 031-68 60 80
<b>United Kingdom</b>	Black & Decker 210 Bath Road Slough, Berkshire SL1 3YD	Tel. Fax Helpline	01753 511234 01753 551155 01753 574277
<b>Middle East &amp; Africa</b>	Black & Decker (Overseas) A.G. PB 5420, Dubai, United Arab Emirates	Tel. Fax	+971 4 2826464 +971 4 2826466