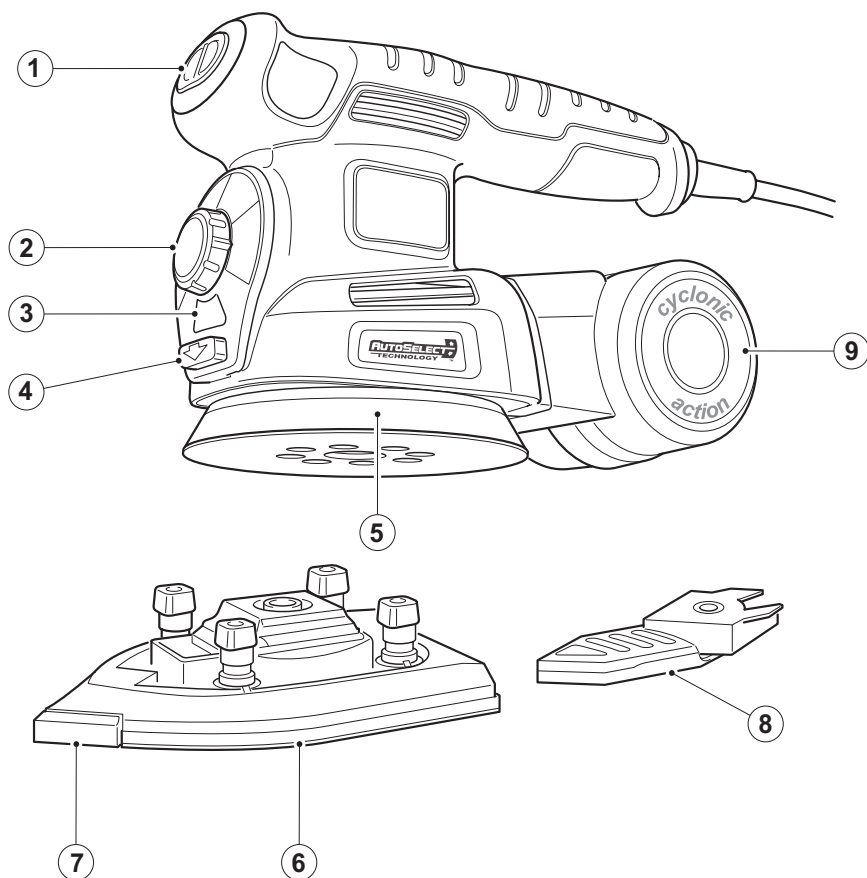
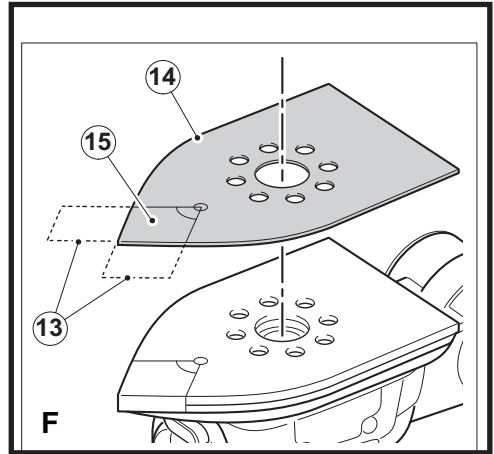
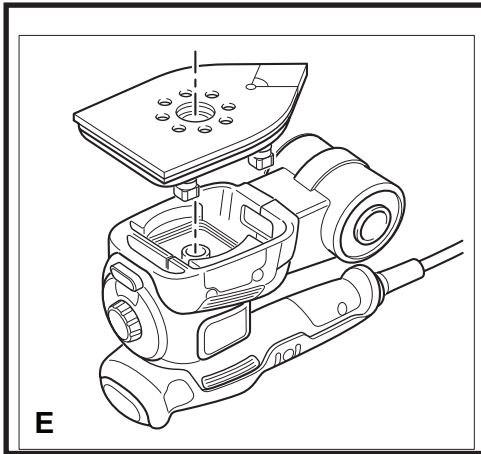
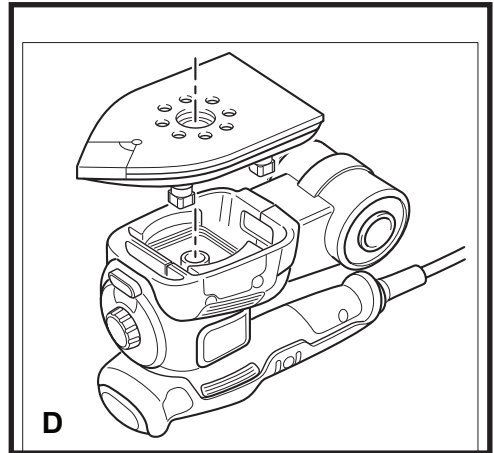
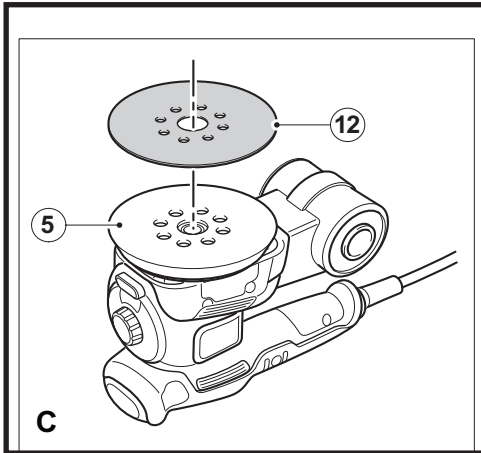
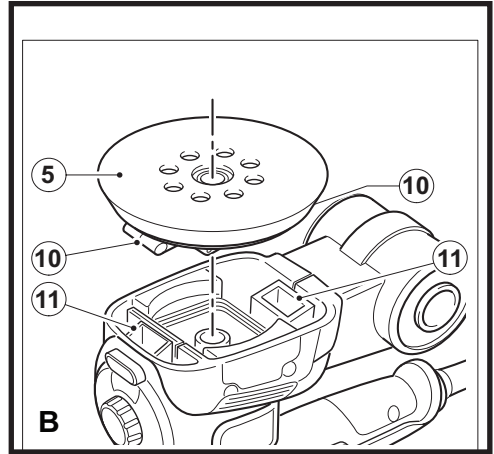
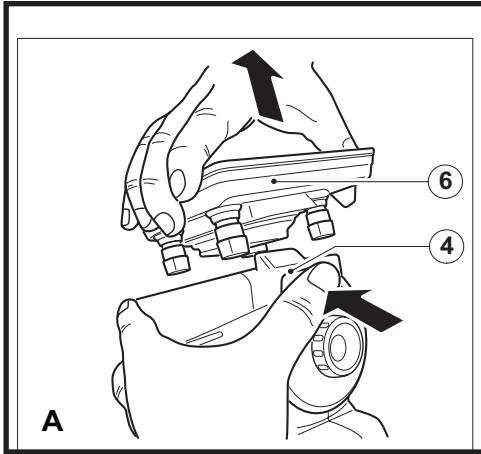
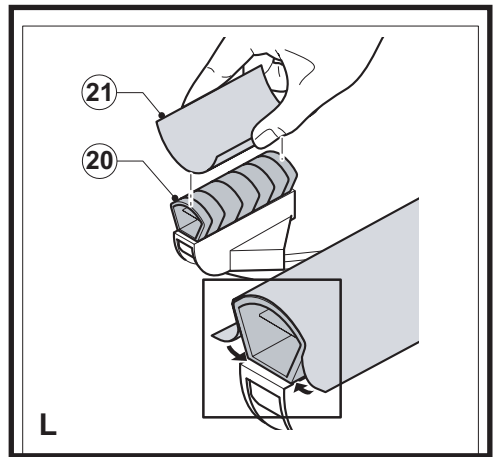
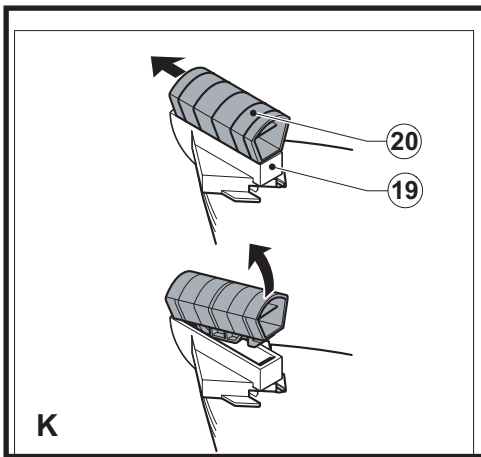
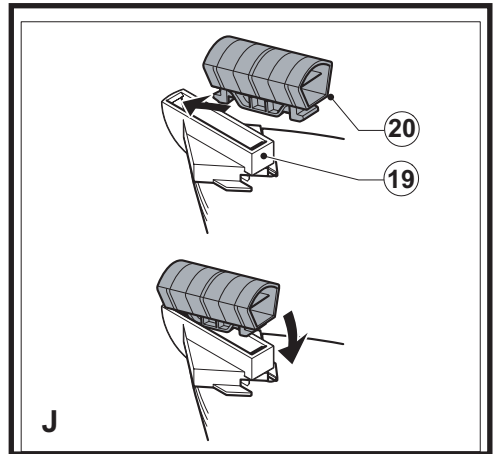
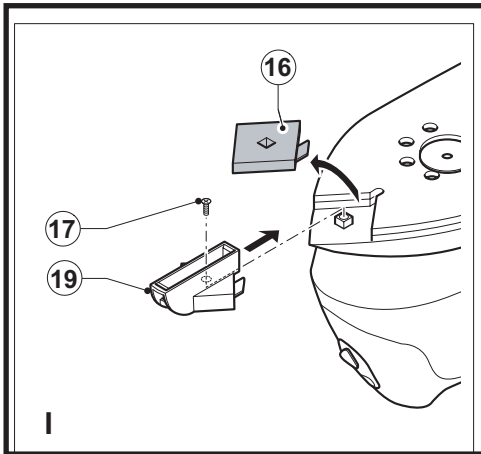
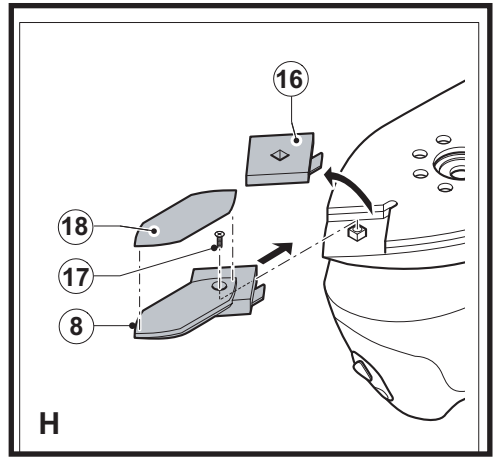
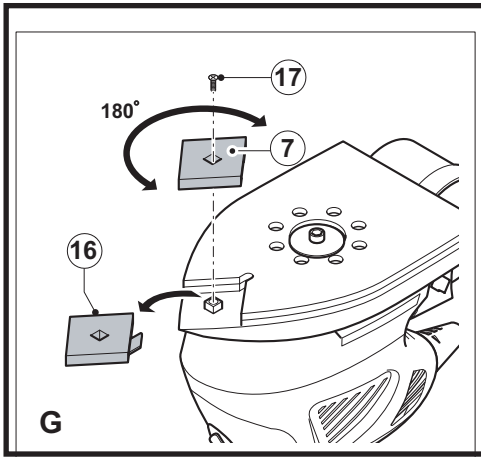


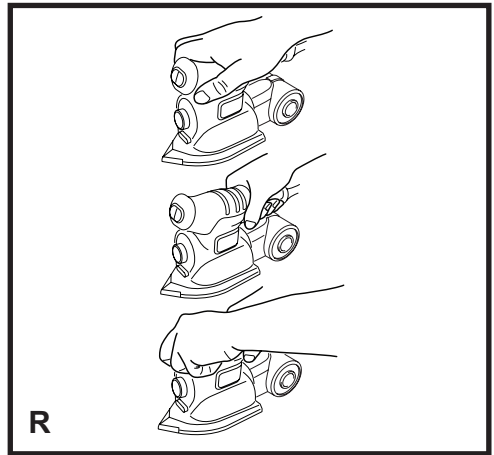
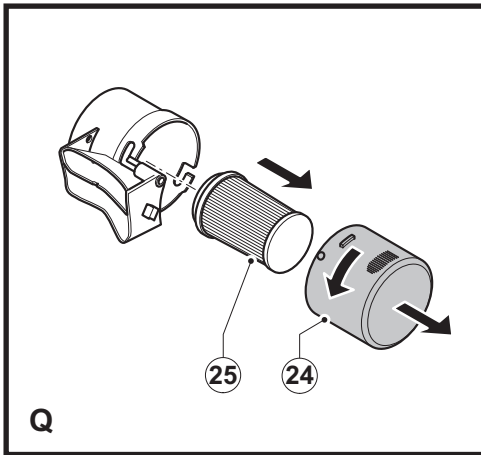
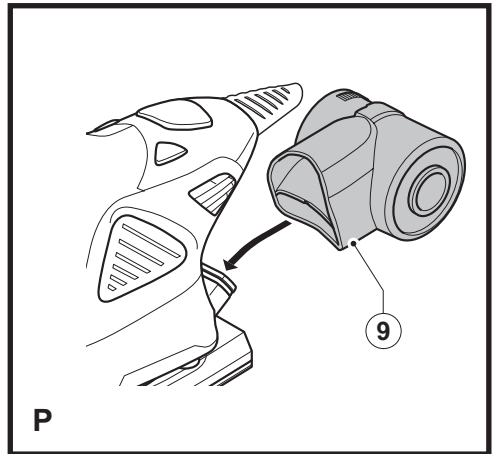
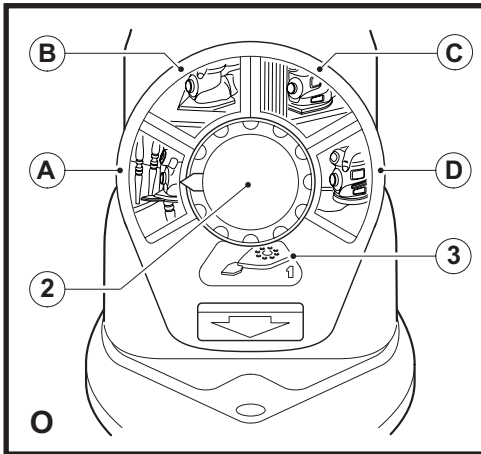
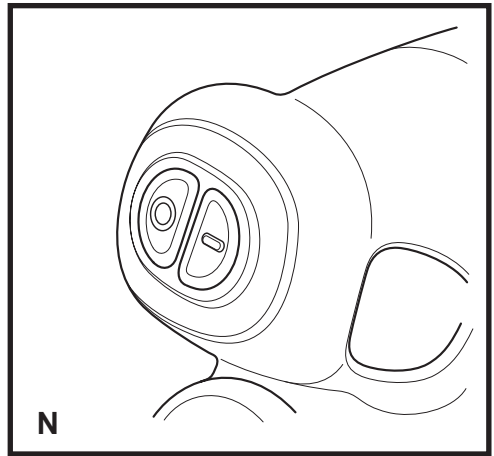
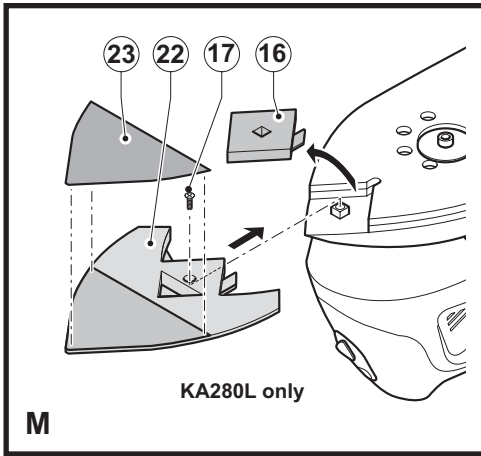
BLACK+ DECKER

TM









Intended use

Your BLACK+DECKER KA280 sander has been designed for sanding wood, metal, plastics and painted surfaces. This tool is intended for consumer use only.

Safety instructions

General power tool safety warnings



Warning! Read all safety warnings, instructions, illustrations and specifications provided with power tool. Failure to follow the warnings and instructions listed below may result in electric shock, fire and/or serious injury.

Save all warnings and instructions for future reference.

The term "power tool" in all of the warnings listed below refers to your mains operated (corded) power tool or battery operated (cordless) power tool.

1. Work area safety

- a. **Keep work area clean and well lit.** Cluttered or dark areas invite accidents.
- b. **Do not operate power tools in explosive atmospheres, such as in the presence of flammable liquids, gases or dust.** Power tools create sparks which may ignite the dust or fumes.
- c. **Keep children and bystanders away while operating a power tool.** Distractions can cause you to lose control.

2. Electrical safety

- a. **Power tool plugs must match the outlet. Never modify the plug in any way. Do not use any adapter plugs with earthed (grounded) power tools.** Unmodified plugs and matching outlets will reduce risk of electric shock.
- b. **Avoid body contact with earthed or grounded surfaces such as pipes, radiators, ranges and refrigerators.** There is an increased risk of electric shock if your body is earthed or grounded.
- c. **Do not expose power tools to rain or wet conditions.** Water entering a power tool will increase the risk of electric shock.
- d. **Do not abuse the cord. Never use the cord for carrying, pulling or unplugging the power tool. Keep cord away from heat, oil, sharp edges or moving parts.** Damaged or entangled cords increase the risk of electric shock.
- e. **When operating a power tool outdoors, use an extension cord suitable for outdoor use.** Use of a cord suitable for outdoor use reduces the risk of electric shock.
- f. **If operating a power tool in a damp location is unavoidable, use a residual current device (RCD) protected supply.** Use of an RCD reduces the risk of electric shock.

3. Personal safety

- a. **Stay alert, watch what you are doing and use common sense when operating a power tool. Do not use a power tool while you are tired or under the influence of drugs, alcohol or medication.** A moment of inattention while operating power tools may result in serious personal injury.
- b. **Use personal protective equipment. Always wear eye protection.** Protective equipment such as dust mask, non-skid safety shoes, hard hat, or hearing protection used for appropriate conditions will reduce personal injuries.
- c. **Prevent unintentional starting. Ensure the switch is in the off-position before connecting to power source and/or battery pack, picking up or carrying the tool.** Carrying power tools with your finger on the switch or energising power tools that have the switch on invites accidents.
- d. **Remove any adjusting key or wrench before turning the power tool on.** A wrench or a key left attached to a rotating part of the power tool may result in personal injury.
- e. **Do not overreach. Keep proper footing and balance at all times.** This enables better control of the power tool in unexpected situations.
- f. **Dress properly. Do not wear loose clothing or jewellery. Keep your hair, clothing and gloves away from moving parts.** Loose clothes, jewellery or long hair can be caught in moving parts.
- g. **If devices are provided for the connection of dust extraction and collection facilities, ensure these are connected and properly used.** Use of dust collection can reduce dust-related hazards.
- h. **Do not let familiarity gained from frequent use of tools allow you to become complacent and ignore tool safety principles.** A careless action can cause severe injury within a fraction of a second.

4. Power tool use and care

- a. **Do not force the power tool. Use the correct power tool for your application.** The correct power tool will do the job better and safer at the rate for which it was designed.
- b. **Do not use the power tool if the switch does not turn it on and off.** Any power tool that cannot be controlled with the switch is dangerous and must be repaired.
- c. **Disconnect the plug from the power source and/or the battery pack from the power tool before making any adjustments, changing accessories, or storing power tools.** Such preventive safety measures reduce the risk of starting the power tool accidentally.
- d. **Store idle power tools out of the reach of children and do not allow persons unfamiliar with the power tool or**

these instructions to operate the power tool. Power tools are dangerous in the hands of untrained users.

- e. **Maintain power tools and accessories. Check for misalignment or binding of moving parts, breakage of parts and any other condition that may affect the power tools operation. If damaged, have the power tool repaired before use.** Many accidents are caused by poorly maintained power tools.
- f. **Keep cutting tools sharp and clean.** Properly maintained cutting tools with sharp cutting edges are less likely to bind and are easier to control.
- g. **Use the power tool, accessories and tool bits etc. in accordance with these instructions, taking into account the working conditions and the work to be performed.** Use of the power tool for operations different from those intended could result in a hazardous situation.
- h. **Keep handles and grasping surfaces dry, clean and free from oil and grease.** Slippery handles and greasy surfaces do not allow for safe handling and control of the tool in unexpected situations.

5. Service

- a. **Have your power tool serviced by a qualified repair person using only identical replacement parts.** This will ensure that the safety of the power tool is maintained.

Additional power tool safety warnings



Warning! Additional safety warnings for sanders



Warning! Contact with or inhalation of dusts arising from sanding applications may endanger the health of the operator and possible bystanders. Wear a dust mask specifically designed for protection against dust and fumes and ensure that persons within or entering the work area are also protected.

- ◆ **Hold power tool by insulated gripping surfaces when performing an operation where the sanding accessory may contact hidden wiring.** Accessory contacting a "live" wire may make exposed metal parts of the power tool "live" and could give the operator an electric shock.
- ◆ **Use clamps or another practical way to secure and support the workpiece to a stable platform.** Holding the work by hand or against your body leaves it unstable and may lead to loss of control.



Warning! Take special care when sanding some woods (e.g. beech, oak) and metal which may produce toxic dust. Wear a dust mask specifically designed for protection against toxic dust and fumes and ensure that persons within or entering the work area are also protected.



Warning! Use this tool in a well ventilated area when sanding ferrous metals. Do not operate the tool near flammable liquids, gases or dust. Sparks or hot particles from sanding or arcing motor brushes may ignite combustible materials.



Warning! Do not sand magnesium! There is a risk of fire or explosions.

- ◆ Thoroughly remove all dust after sanding.
- ◆ The intended use is described in this instruction manual. The use of any accessory or attachment or performance of any operation with this tool other than those recommended in this instruction manual may present a risk of personal injury and/or damage to property.

Safety when sanding paint



Warning! Observe the applicable regulations for sanding paint. Pay special attention to the following:

- ◆ Whenever possible, use a vacuum extractor for dust collection.
- ◆ Take special care when sanding paint which is possibly lead based and may produce toxic dust:
 - ◆ Do not let children or pregnant women enter the work area.
 - ◆ All persons entering the work area should wear a mask specially designed for protection against lead paint dust and fumes.
 - ◆ Do not eat, drink or smoke in the work area.
- ◆ Dispose of dust particles and any other removal debris safely.

Safety of others

- ◆ This charger can be used by children aged from 8 years and above and persons with reduced physical, sensory or mental capabilities or lack of experience and knowledge if they have been given supervision or instruction concerning use of the appliance in a safe way and understand the hazards involved.
- ◆ Children shall not play with the appliance. Cleaning and user maintenance shall not be made by children without supervision.

Residual risks

Additional residual risks may arise when using the tool which may not be included in the enclosed safety warnings. These risks can arise from misuse, prolonged use etc.

Even with the application of the relevant safety regulations and the implementation of safety devices, certain residual risks can not be avoided. These include:

- ◆ Injuries caused by touching any rotating/moving parts.

- ◆ Injuries caused when changing any parts, blades or accessories.
- ◆ Injuries caused by prolonged use of a tool. When using any tool for prolonged periods ensure you take regular breaks.
- ◆ Impairment of hearing.
- ◆ Health hazards caused by breathing dust developed when using your tool (example:- working with wood, especially oak, beech and MDF.)

5. Random orbital sanding base
6. Large detail sanding base
7. Sanding base tip
8. Detail finger attachment
9. Dust canister

Assembly

Warning! Before assembly, make sure that the tool is switched off and unplugged.

Removing sanding bases (fig. A)

- ◆ To remove the sanding base, press the release button (4) and pull the base (6) from the tool.

Attaching the random orbit sanding base (fig. B)

- ◆ Hold the tool and the sanding base (5) facing upwards as shown in fig. B.
- ◆ Align the dust openings (10) in the sanding base with the dust openings (11) in the tool base.
- ◆ Press in on the sanding base until you hear it click into place.

Fitting sanding sheets (fig. C)

- ◆ Hold the tool with the sanding base (5) facing upwards.
- ◆ Place the sanding sheet (12) onto the sanding base (5) making sure that the holes in the sheet line up with the holes in the base.

Large detail sanding base

With this sanding base, you can use the tool as a detail sander or a flush sander.

Attaching the large detail sanding base (fig. D & E)

For detail sanding, the pointed end should face forward (fig. D).

For sanding large areas, the pointed end should face to the rear (fig. E).

- ◆ Attach the sanding base as described above under "Attaching the random orbit sanding base".
- ◆ Press in on the sanding base until you hear it click into place.

Fitting sanding sheets (fig. F)

- ◆ Detach the two diamond-shaped tips (13) from the sanding sheet (14).
- ◆ Hold the tool with the sanding base facing upwards.
- ◆ Place the sanding sheet (14) onto the sanding base, making sure that the holes in the sheet line up with the holes in the base.

The diamond-shaped tip (15) can be reversed and replaced when worn.

Vibration

The declared vibration emission values stated in the technical data and the declaration of conformity have been measured in accordance with a standard test method provided by EN62841 and may be used for comparing one tool with another. The declared vibration emission value may also be used in a preliminary assessment of exposure.

Warning! The vibration emission value during actual use of the power tool can differ from the declared value depending on the ways in which the tool is used. The vibration level may increase above the level stated.

When assessing vibration exposure to determine safety measures required by 2002/44/EC to protect persons regularly using power tools in employment, an estimation of vibration exposure should consider, the actual conditions of use and the way the tool is used, including taking account of all parts of the operating cycle such as the times when the tool is switched off and when it is running idle in addition to the trigger time.

Labels on tool

The following symbols are shown on the tool along with the date code:



Warning! To reduce the risk of injury, the user must read the instruction manual.

Electrical safety



This tool is double insulated; therefore no earth wire is required. Always check that the power supply corresponds to the voltage on the rating plate.

- ◆ If the supply cord is damaged, it must be replaced by the manufacturer or an authorised BLACK+DECKER Service Centre in order to avoid a hazard.

Features

This tool includes some or all of the following features.

1. On/off switch
2. Autoselect® dial
3. Base / speed setting indicator
4. Base release button

- ◆ When the front part of the tip is worn, detach it from the sheet, reverse it and press it onto the sanding base again.
- ◆ When the whole tip is worn, remove it from the sanding base and fit a new diamond shaped tip (13).

Tip of the sanding base (fig. G)

When the sanding base tip (7) is worn, it can be reversed or replaced. When the diamond shaped tip holder (16) is worn, it can be replaced. Spare parts are available from your BLACK+DECKER dealer.

- ◆ Remove the screw (17).
- ◆ Reverse or replace the worn part.
- ◆ Fit and tighten the screw (17).

Finger attachment (fig. H)

The finger attachment is used for fine detail sanding.

- ◆ Remove the screw (17).
- ◆ Remove the diamond-shaped tip holder (16) from the sanding base.
- ◆ Fit the finger attachment (8) onto the sanding base (6).
- ◆ Fit and tighten the screw (17).
- ◆ Fit the appropriate sanding sheet (18) onto the finger attachment.

Profile attachment

The profile attachment is used for contour sanding.

Fitting the profile attachment (fig. I)

- ◆ Remove the screw (17).
- ◆ Remove the diamond-shaped tip holder (16) from the sanding base.
- ◆ Fit the profile attachment (19) onto the sanding base.
- ◆ Fit and tighten the screw (17).

Fitting and removing a sanding profile (fig. J & K)

- ◆ Choose the sanding profile most suitable for your application.
- ◆ Place one end of the sanding profile (20) into the recess at the front end of the profile attachment (19).
- ◆ Push the other end of the sanding profile until it clicks into place.
- ◆ To remove the sanding profile (20), push it forward and pull the rear end out of the profile attachment (19).

Fitting a sanding sheet onto a sanding profile (fig. L)

- ◆ Align the sanding sheet (21) with the sanding profile (20).
- ◆ Press the sanding sheet onto the sanding profile, making sure that the sanding sheet follows the shape of the profile.

Louvre attachment (fig. M) (KA280L only)

With the louvre attachment you can work in crevices.

- ◆ Remove the screw (17).
- ◆ Remove the diamond-shaped tip holder (16) from the sanding base.
- ◆ Fit the louvre attachment (22) onto the sanding base.
- ◆ Fit and tighten the screw.
- ◆ Fit the appropriate sanding sheet onto the louvre attachment.

The additional piece of hook and loop fastener (23) can be attached to the top surface of the louvre attachment to allow for sanding using both sides.

- ◆ Remove the backing paper from the hook and loop fastener (23).
- ◆ Stick the hook and loop fastener to the top surface of the louvre attachment (22).
- ◆ Fit the sanding piece to the hook and loop fastener.

Use

Warning! Let the tool work at its own pace. Do not overload.

Warning! Do not cover the ventilation slots when using the tool. Hold the tool as shown in fig. R. Make sure that the sanding base is flat on the workpiece.

- ◆ Store the tool with a base in place.
- ◆ Keep hands away from the spindle area on the tool.
- ◆ Do not turn the Autoselect® dial while the unit is running.
- ◆ Do not rest fingers on the base during use.

Switching on and off (fig. N)

- ◆ To switch the tool on, depress the on/off switch (1) to position I.
- ◆ To switch the tool off, depress the on/off switch (1) to position O.

Autoselect® Technology (fig.O)









This sander is fitted with an Autoselect® dial (2) which shows various sanding applications. They are used to select the correct operating mode for your particular sanding operation.

- ◆ Using the Autoselect® dial (2), choose from one of the following applications:
 - Detail sanding (A).
 - Corner sanding (B).
 - Flush sanding (C).
 - Random orbit sanding (D).

The correct base to be used and the recommended sanding speed will be displayed in the base/speed setting window (3).

Note: You can override the selected speed at any time by moving the Autoselect® dial to positions (A) and (B), slower speeds, or positions (C) and (D), higher speeds.

Autoselect® dial application chart

Setting	Application	Recommended base		Base colour	Speed setting
	Small area sanding. Allows you to easily get into tight areas	Detail finger attachment		Orange	(1) Low
	Large sanding. Allows you to get up to the edge of a 90° angle	Large detail base, tip facing forward		Blue	(1) Low
	Flush sanding. Allows you to get up to the edge of a 90° angle	Flush sanding base, 90° edge facing forward.		Blue	(2) High
	Large area sanding. Allows you to remove the most amount of paint quickly.	Random orbit base		Green	(2) High

Autoselect® dial application chart

This tool has an automatic brake system. When the tool is not on the work surface, this feature keeps the speed of the disc below the speed of the motor. When the tool is switched off, the disc will stop very quickly.

- ◆ Refit the cover (24) onto the dust canister, twisting it clockwise until it locks into place.
- ◆ Refit the dust canister (9) onto the tool.

Emptying the dust canister (fig. P & Q)

The dust canister (9) should be emptied after every ten minutes of use.

- ◆ Pull the dust canister (9) to the rear and off the tool.
- ◆ Remove the cover (24) by twisting it counter clockwise.
- ◆ Hold the dust canister (9) with the filter (25) facing down and shake the canister to empty the contents. Shake the cover (24) to empty the contents.

Cleaning the dust canister filter

The dust canister filter is re-usable and should be cleaned regularly.

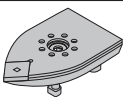
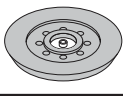

- ◆ Empty the dust canister (9) as described above.
- ◆ Pull the filter (25) off the dust canister.
- ◆ Shake off excess dust by tapping the filter into a dustbin.






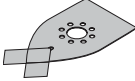
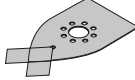
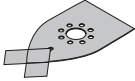
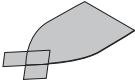
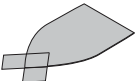
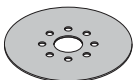
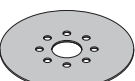


Warning! Do not brush or use compressed air or sharp objects to clean the filter. Do not wash the filter

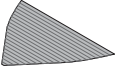
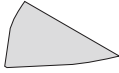
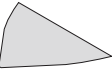
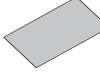
- ◆ Replace the filter (25).
- ◆ Refit the cover (24).
- ◆ Refit the dust canister (9) onto the tool.

Accessories

The accessories supplied with your sander depend upon the model that you have purchased. All the accessories listed below are available in our Piranha® range. If you require an accessory that is listed below but is not supplied with your sander please visit our website at www.blackanddecker.eu.

Item	Description	Purpose
	Large detail sanding base (6).	For medium to large areas. The large detail base can be used to sand into corners and to the edge of the workpiece.
	Random orbit sanding base (5).	For large areas. The random orbit base can be used for curved surfaces and when you need a high-quality finish.
	Detail finger (8).	For small hard-to-reach areas. The detail finger can be used for light sanding and for sanding into corners.

Item	Description	Purpose
	Louvre attachment (22).	For intricate areas such as shutters and louvre doors.
	Sanding profile attachment (19).	An attachment to hold the various profiles listed below.
	Concave curved sanding profile.	For detailed sanding to suit this shape.
	Convex curved sanding profile (20).	For detailed sanding to suit this shape.
	Pointed curved sanding profile.	For detailed sanding to suit this shape.
	240 grit large detail sanding sheet with two replacement tips.	For a fine finish for large detail sanding.
	120 grit large detail sanding sheet with two replacement tips.	For a medium finish for large detail sanding.
	60 grit large detail sanding sheet with two replacement tips.	For a coarse finish for large detail sanding.
	High-gloss large detail finish sheet (grey) with two replacement tips.	For applying polish.
	Cleaning sheet (red) for wood or metal with two replacement tips.	For cleaning or polishing tasks on wood or metal.
	240 grit random orbit sanding sheet.	For a fine finish for random orbit sanding.
	60 grit random orbit sanding sheet.	For a coarse finish for random orbit sanding.
	Round polishing bonnet (white).	For polishing tasks.
	120 grit detailed finger sanding sheet.	For a medium finish for detailed sanding.

Item	Description	Purpose
	Replacement louver sanding sheet attachment.	For attaching louver sanding sheets.
	60 grit louver sanding sheet.	For a course finish for louver sanding.
	120 grit louver sanding sheet.	For a medium finish for louver sanding.
	120 grit profile sanding sheet.	For a medium finish for profile sanding.

Hints for optimum use

- ◆ For user comfort, the tool can be operated with one or two hands (fig. R). Do not place your hands over the ventilation slots.
- ◆ Do not exert too much pressure on the tool.
- ◆ Regularly check the condition of the sanding sheet. Replace when necessary.
- ◆ Always sand with the grain of the wood.
- ◆ When sanding new layers of paint before applying another layer, use extra fine grit.
- ◆ On very uneven surfaces, or when removing layers of paint, start with a coarse grit. On other surfaces, start with a medium grit. In both cases, gradually change to a fine grit for a smooth finish.
- ◆ Consult your retailer for more information on available accessories.

Accessories

The performance of your tool depends on the accessory used. BLACK+DECKER and Piranha accessories are engineered to high quality standards and designed to enhance the performance of your tool. By using these accessories you will get the very best from your tool.

Maintenance

Your BLACK+DECKER tool has been designed to operate over a long period of time with a minimum of maintenance. Continuous satisfactory operation depends upon proper tool care and regular cleaning.

Warning! Before performing any maintenance on corded/cordless power tools:

- ◆ Switch off and unplug the appliance/tool.
- ◆ Or switch off and remove the battery from the appliance/tool if the appliance/tool has a separate battery pack.
- ◆ Or run the battery down completely if it is integral and then switch off.

- ◆ Unplug the charger before cleaning it. Your charger does not require any maintenance apart from regular cleaning.

Regularly clean the ventilation slots in your appliance/tool/charger using a soft brush or dry cloth.

Regularly clean the motor housing using a damp cloth.

Do not use any abrasive or solvent-based cleaner.

Regularly open the chuck and tap it to remove any dust from the interior (when fitted).

Mains plug replacement (U.K. & Ireland only)

If a new mains plug needs to be fitted:

- ◆ Safely dispose of the old plug.
- ◆ Connect the brown lead to the live terminal in the new plug.
- ◆ Connect the blue lead to the neutral terminal.

Warning! No connection is to be made to the earth terminal.

Follow the fitting instructions supplied with good quality plugs. Recommended fuse: 5 A.

Protecting the environment



Separate collection. Products and batteries marked with this symbol must not be disposed of with normal household waste.

Products and batteries contain materials that can be recovered or recycled reducing the demand for raw materials. Please recycle electrical products and batteries according to local provisions. Further information is available at www.2helpU.com

Technical data

		KA280 Type 1
Voltage	V_{BC}	230
Power input	W	220
Orbits (no load)	min^{-1}	8500 / 13000
Oscillations (no load)	min^{-1}	17000 / 26000
Weight	kg	1.9

Level of sound pressure according to EN 62841:

 L_{pA} (sound pressure) 78.5 dB(A), Uncertainty (K) 3 dB(A) L_{wA} (sound power) 89.5 dB(A), Uncertainty (K) 3 dB(A)

Vibration total values (triax vector sum) according to EN 62841:

Vibration emission value (a_v) 7.8 m/s^2 , uncertainty (K) 1.5 m/s^2

EC declaration of conformity

MACHINERY DIRECTIVE



Sander - KA280

Black & Decker declares that these products described under "technical data" are in compliance with:
EN62841-1:2015, EN62841-2-4:2014.

These products also comply with directive
2006/42/EC, 2014/30/EU and 2011/65/EU.

For more information, please contact Black & Decker at the following address or refer to the back of the manual.

The undersigned is responsible for compilation of the technical file and makes this declaration on behalf of Black & Decker.

A. Smith
Technical Director
Black & Decker Europe, 210 Bath Road, Slough,
Berkshire, SL1 3YD
United Kingdom
17/01/2019

Guarantee

Black & Decker is confident of the quality of its products and offers consumers a 24 month guarantee from the date of purchase. This guarantee is in addition to and in no way prejudices your statutory rights. The guarantee is valid within the territories of the Member States of the European Union and the European Free Trade Area.

To claim on the guarantee, the claim must be in accordance with Black & Decker Terms and Conditions and you will need to submit proof of purchase to the seller or an authorised repair agent. Terms and conditions of the Black & Decker 2 year guarantee and the location of your nearest authorised repair agent can be obtained on the Internet at www.2helpU.com, or by contacting your local Black & Decker office at the address indicated in this manual.

Please visit our website www.blackanddecker.co.uk to register your new Black & Decker product and receive updates on new products and special offers.

Australia	Black & Decker (Australia) Pty. Ltd. 810 Whitehorse Road, Box Hill, Victoria, Australia 3128	Tel. Fax	03-8720 5100 03-9727 5940
New Zealand	Black & Decker 39 Business Parade North, East Tamaki Heights, Auckland 2013	Tel. Fax	+64 9 259 1133 +64 9 259 1122
United Kingdom & Republic Of Ireland www.blackanddecker.co.uk emeaservice@sbdinc.com	Black & Decker 210 Bath Road Slough, Berkshire SL1 3YD	Tel. Fax	01753 511234 01753 512365