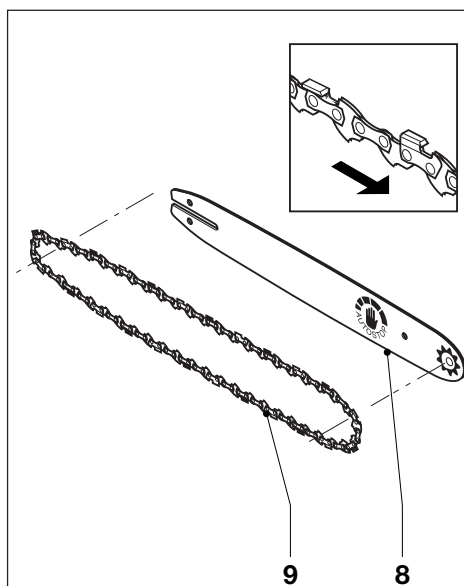
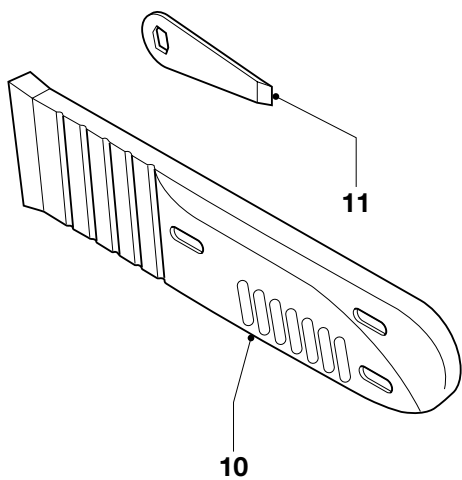
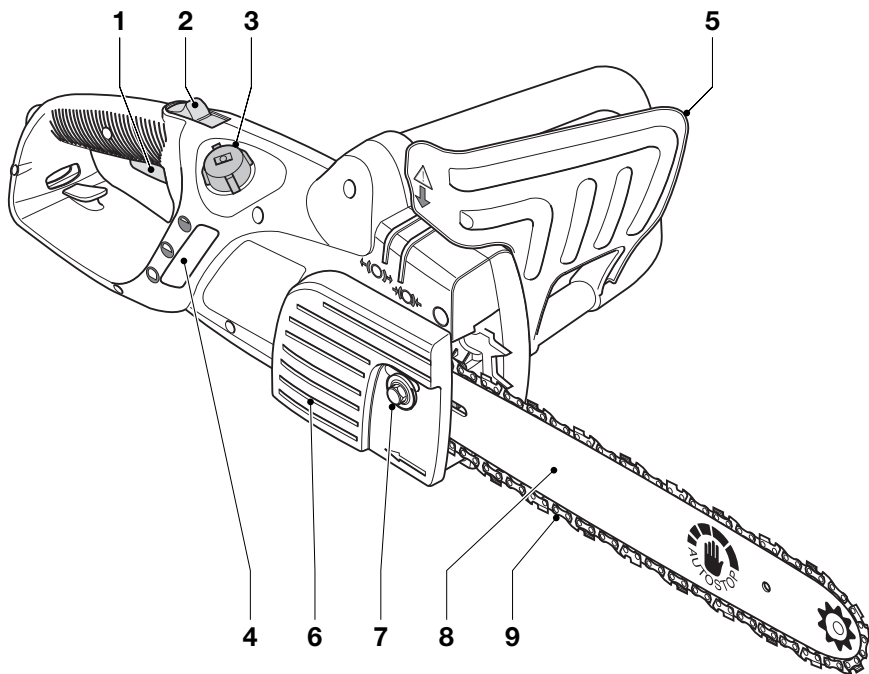
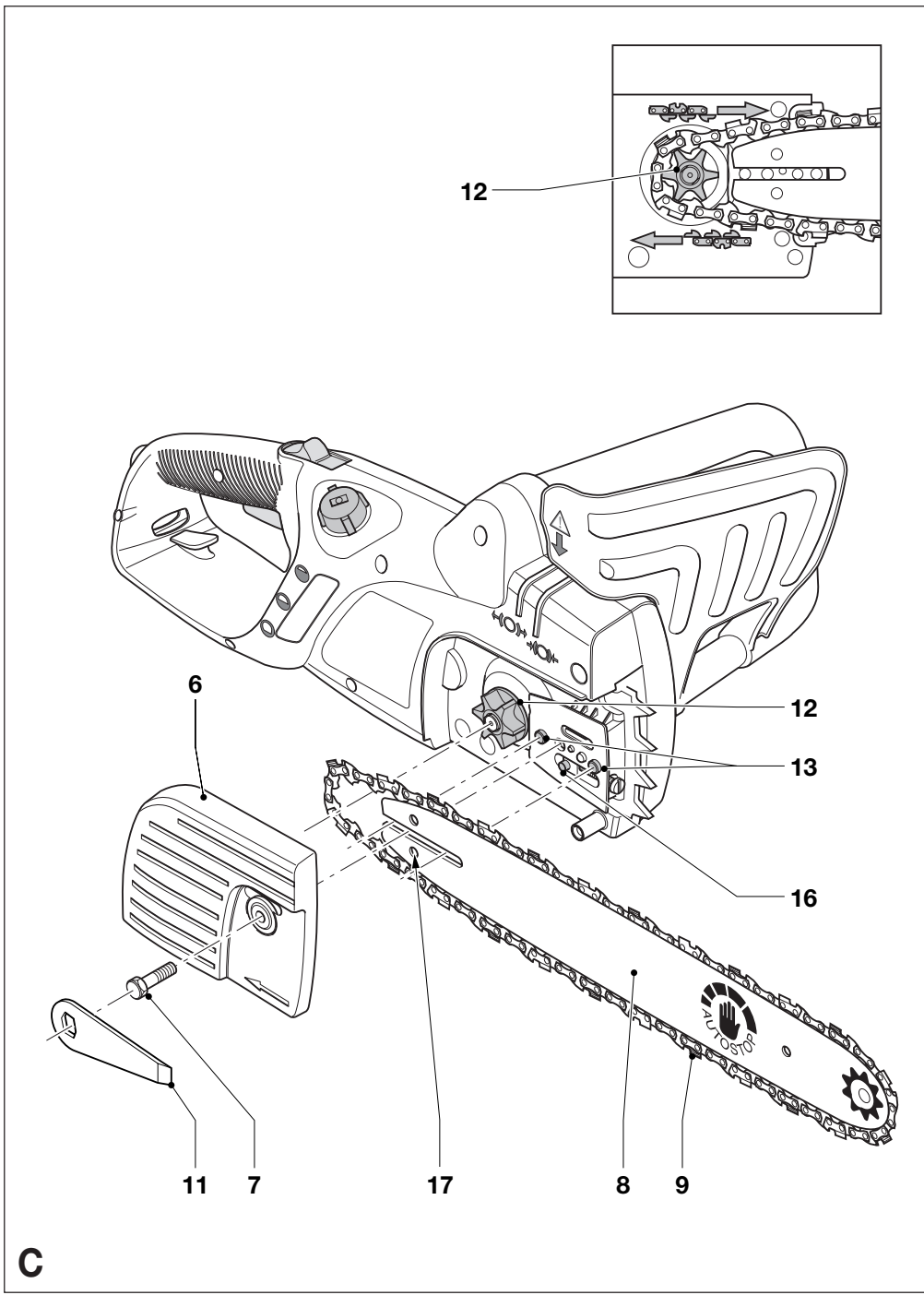


<b>English</b>	<b>8</b>
<b>Deutsch</b>	<b>15</b>
<b>Français</b>	<b>23</b>
<b>Italiano</b>	<b>31</b>
<b>Nederlands</b>	<b>39</b>
<b>Español</b>	<b>46</b>
<b>Português</b>	<b>54</b>
<b>Svenska</b>	<b>62</b>
<b>Norsk</b>	<b>69</b>
<b>Dansk</b>	<b>76</b>
<b>Suomi</b>	<b>83</b>
<b>Ελληνικά</b>	<b>90</b>

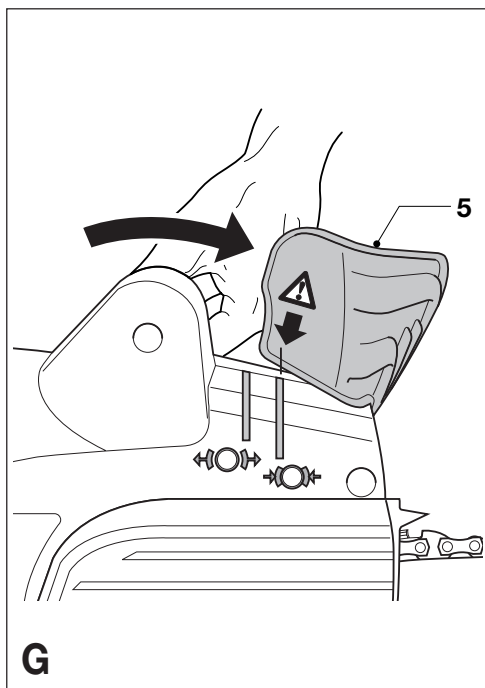
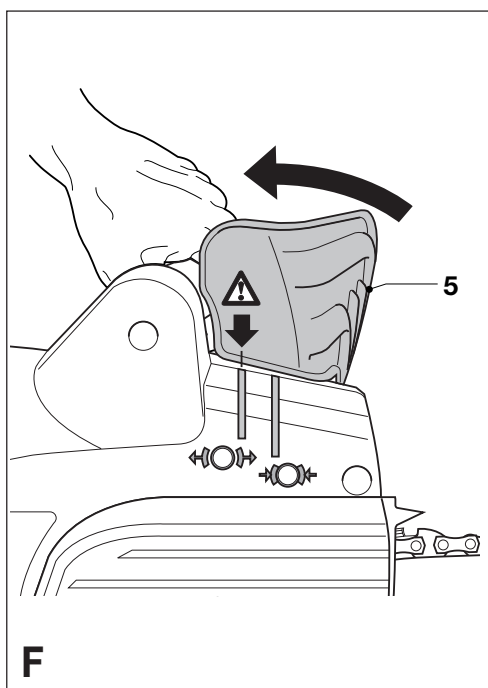
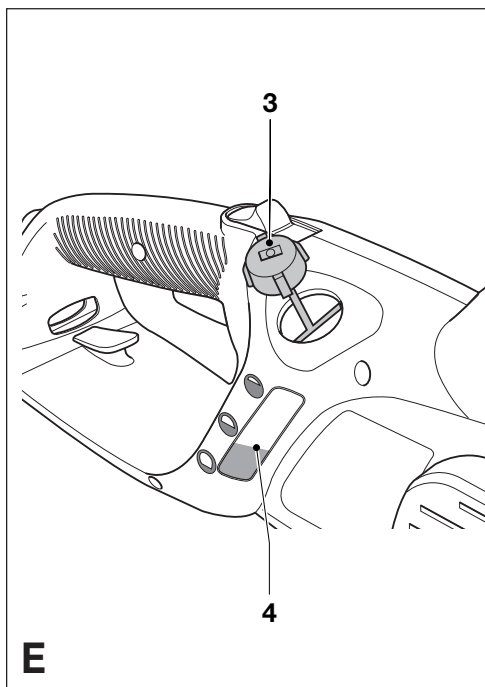
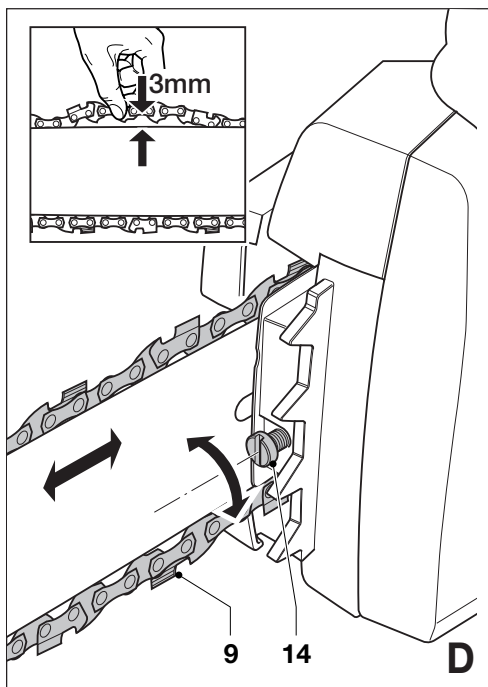


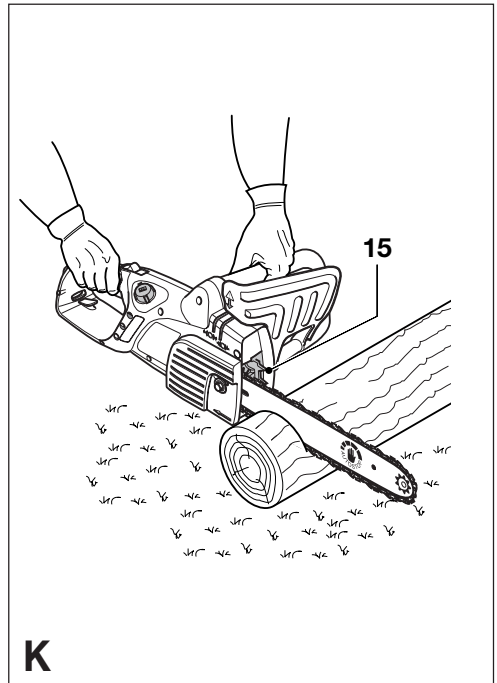
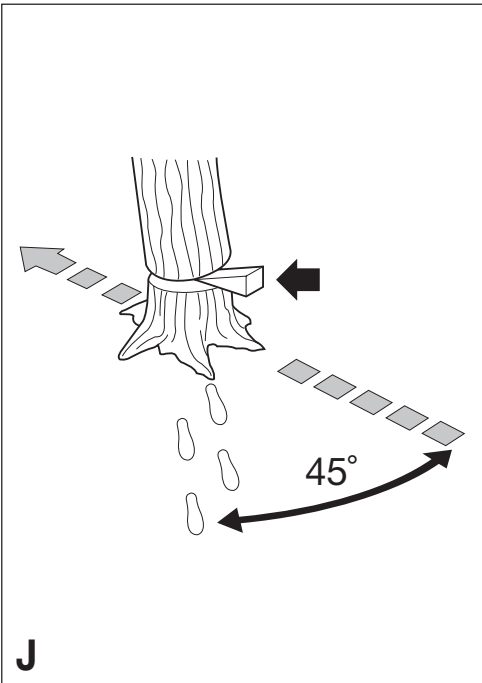
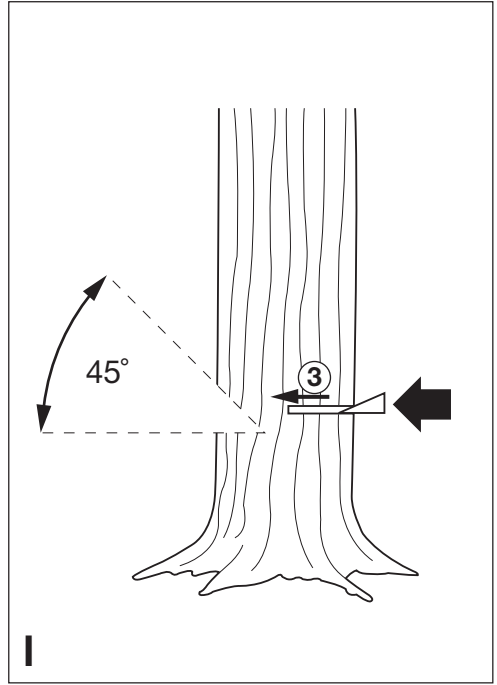
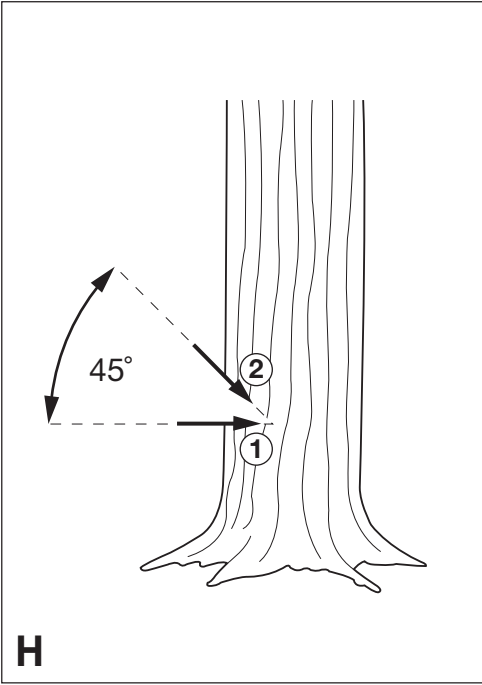
**A**

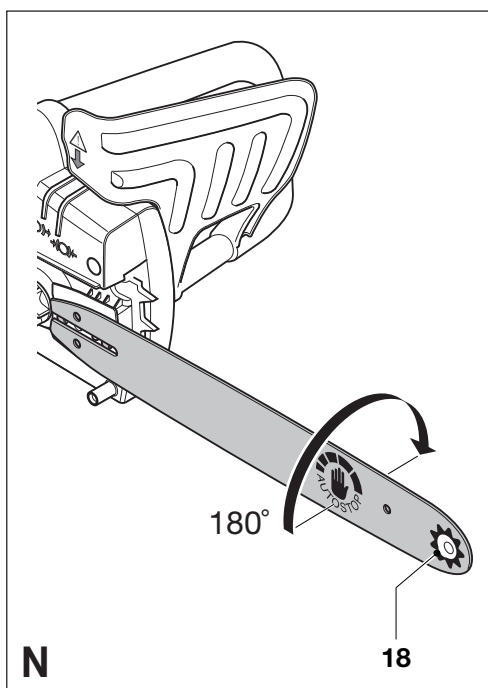
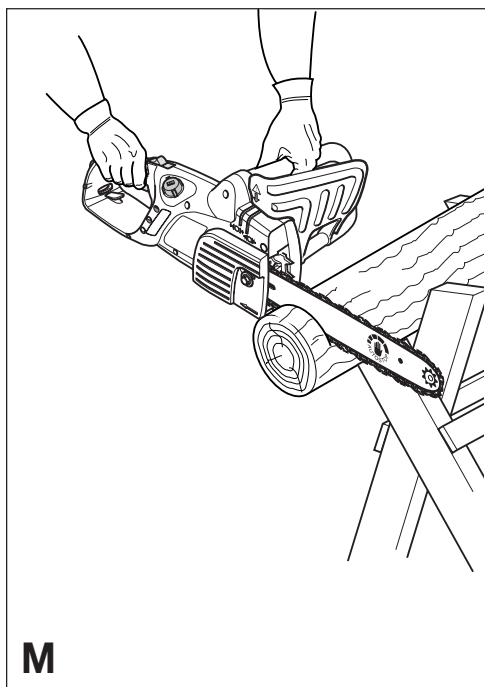
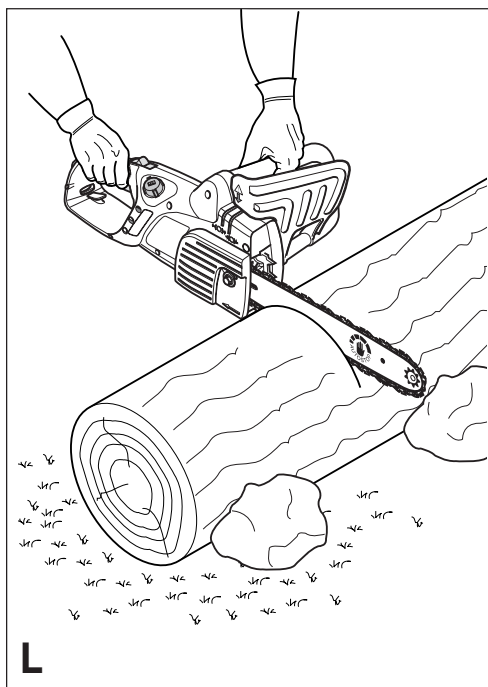
**B**



**C**







## CHAINSAW

### Know your chainsaw



**Warning!** When using electric tools, basic safety precautions should always be taken to reduce the risk of fire, electric shock and personal injury.



Read this user manual carefully, observing all of the recommended safety instructions before, during and after use of your chainsaw. Maintain your chainsaw in good working order. Familiarise yourself with the controls on your chainsaw before attempting to operate it, but above all, be sure you know how to stop the tool in an emergency. Retain this user manual and all other literature supplied for future reference.

### SAFETY INSTRUCTIONS

- ◆ Know your chainsaw. Please read this user manual carefully and familiarise yourself with your chainsaw, in particular with regard to the sawing of round wood. We strongly recommend that first time users practice sawing logs on a saw horse or cradle.
- ◆ Avoid dangerous environments. Keep your work area clean and remove clutter. Keep the work area well lit. We strongly recommend the use of a sawhorse or cradle whenever possible.



Do not saw wet wood or use your chainsaw when it is raining.

- ◆ Keep people away while your chainsaw is in use. Do not allow children, other people or animals near your chainsaw while you are using it.
- ◆ Maintain your chainsaw when not in use. Do not store your chainsaw for any length of time without first removing the saw chain and guide bar which should be kept immersed in oil. Store all parts of your chainsaw in a dry, secure place out of reach of children. We recommend you drain the oil reservoir prior to storage.

- ◆ Do not force your chainsaw. It will do the job better and more safely at the rate for which it was intended.



Protective clothing. Wear close fitting and protective clothing including a safety helmet with visor/goggles, ear protectors, safety shoes, protective bib trousers and strong leather gloves.

- ◆ Do not abuse the cable. Never carry a chainsaw by the cable or jerk it to disconnect the plug from the socket. Keep the cable away from heat, oil or sharp edges. Check the cable frequently for damage.
- ◆ Secure your work using clamps or chocks. Be sure that you use both hands when operating your chainsaw.



Remove the plug from the mains before changing the work location, adjusting, sharpening or cleaning, changing any accessory such as the chain, or if the cord becomes entangled or damaged.

- ◆ Adjusting wrenches. Form a habit of checking to see that adjusting wrenches are removed from your chainsaw before starting.
- ◆ Only use extension cable type HO7RN-F 2 x 1mm<sup>2</sup>, as a minimum only.
- ◆ Stay alert. Never operate your chainsaw when you are tired.
- ◆ Check damaged parts. Before further use of your chainsaw, a guard or other part that is damaged should be carefully checked to determine whether it will operate properly and perform its intended function. Check for alignment of moving parts, binding of moving parts, breakage of parts, mounting and any other conditions that may affect its operation. A guard or other part that is damaged should be properly repaired or replaced by an authorised service agent. Do not use your chainsaw if the switch does not turn it on and off.





**Warning!** The use of an accessory or attachment other than those recommended in this user manual may present a risk of personal injury.

- ◆ For all types of cutting, always hold the saw firmly with both hands, with thumbs and fingers encircling the saw handles. Do not release your grip until your chainsaw has stopped moving.
- ◆ Be sure of your footing and pre-plan a safe exit from a falling tree or branches.
- ◆ Use wedges to help control felling and prevent binding the guide bar and saw chain in the cut.
- ◆ Keep all parts of your body and clothing away from the saw chain when running your chainsaw. Before you switch on make sure your chainsaw is not contacting anything. Do not touch or try to stop a moving saw chain with your hand.
- ◆ Carry your chainsaw carefully with the mains supply disconnected and with the guide bar and saw chain to the rear and the blade sheath fitted.
- ◆ Keep your chainsaw clean. Do not allow dirt, oil or sawdust to build up on your chainsaw. Pay particular attention to the air inlet and outlet slots; these must not become clogged. Clean your chainsaw with a dry cloth but do not use any solvents or cleaning fluids.
- ◆ Saw chain care. Keep the saw chain sharp and snug on the guide bar. Ensure the saw chain and guide bar are clean and well oiled.



Beware of kickback. Kickback is upward/backward motion of the guide bar that may occur when the nose of the saw chain unexpectedly comes in contact with an object. Hold your chainsaw firmly with both hands when the motor is running. Use a firm grip with thumbs and fingers encircling the handles and watch carefully what you cut.

Kickback can be caused by:

- ◆ Striking branches or other objects accidentally with a tip of the saw while the saw chain is moving.
- ◆ Striking metal, cement or any other hard material near the wood, or buried in the wood.
- ◆ A dull or loose chain.
- ◆ Cutting above shoulder height.

- ◆ Lack of attention when holding or guiding the saw while cutting.
- ◆ Over-reaching. Keep proper footing and balance at all times and do not overreach.
- ◆ Do not try to insert into a previous cut, as this could cause kickback. Make a fresh cut every time.
- ◆ We strongly recommend you do not attempt to operate your chainsaw while in a tree, on a ladder or on any other unstable surface. If you decide to do so, be advised that these positions are extremely dangerous.
- ◆ When cutting a branch that is under tension, be alert for spring back so that you will not be struck when the tension is released.
- ◆ Avoid cutting:
  - ◆ Prepared timber.
  - ◆ Into the ground.
  - ◆ Into wire fences, nails, etc.
  - ◆ Into small sized brush and saplings because slender material may catch the saw chain and be whipped towards you, or pull you off balance.
- ◆ Do not use your chainsaw above shoulder height.
- ◆ Ensure someone is nearby (but at a safe distance) in case of an accident.
- ◆ If for any reason you have to touch the chain, make sure your chainsaw is disconnected from the mains.
- ◆ The noise from this product can exceed 85 dB(A). We therefore recommend you take appropriate measures for the protection of hearing.

**Warning symbols on your chainsaw**



Read all of this manual carefully.



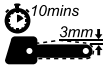
Do not use your chainsaw in wet conditions or expose it to rain.



Always wear ear and eye protection.



Always remove the plug from the socket before inspecting a damaged cable. Be careful not to use your chainsaw if the cable is damaged.



To ensure continued safe operation, check the chain tension as described in this manual after every 10 minutes of use, and adjust back to a clearance of 3 mm as required.

## Double insulation



Your chainsaw is double insulated. This means that all external metal parts are electrically isolated from the power supply. This is achieved by placing an extra insulation barrier between the electrical and mechanical parts. Double insulation means greater electrical safety and obviates the necessity of having the machine earthed.

## Electrical safety

- ◆ Make sure your chainsaw is correct for your supply. The voltage can be found on the rating plate.

## Technical data

Bar length	30 cm	35 cm	40 cm
Supply voltage (V)	230	230	230
Rated input (W)	1300/1400/1600	1400/1600	1400/1600
Max. cutting length (cm)	30	35	40
Chain speed (no load m/s)	8	8	8
Weight (kg)	3.7	3.8	3.9
Oil capacity (ml)	180	180	180
Safety class	II	II	II

## OVERVIEW (fig. A)

1. On/off switch
2. Lock-off button
3. Oil cap
4. Oil level indicator
5. Front guard/chain brake
6. Chain cover
7. Chain cover bolt
8. Guide bar
9. Chain
10. Chain sheath
11. Spanner

## ASSEMBLY



Before assembly, make sure that the tool is switched off and unplugged.

### Oiling the chain (fig. A)

- ◆ You must do this whenever you use a new chain for the first time. Take the new chain out of its plastic bag and soak it in chain oil for at least an hour before using it. Use Black & Decker chain oil (cat. no. A6027).
- ◆ We recommend that you use only one brand of oil during the lifetime of your chainsaw because mixtures of different oils could lead to the oil becoming degraded, which can drastically shorten the lifetime of the saw chain.
- ◆ Never use waste oil, thick oil or very thin sewing machine oil. These may damage your chainsaw.

### Fitting the guide bar and chain (fig. B, C & D)



Wear protective gloves.

- ◆ Place the saw onto a stable surface.
- ◆ Loosen and remove the chain cover bolt (7) (fig. C).
- ◆ Remove the chain cover (6).
- ◆ Place the chain (9) over the guide bar (8), making sure that the cutters on the upper part of the guide bar face towards the front (fig. B).
- ◆ Guide the chain around the guide bar and pull it to create a loop at the rear end of the guide bar.
- ◆ Place the chain and guide bar onto the saw. Guide the chain around the drive sprocket (12). Place the guide bar onto the studs (13). Make sure that the sliding nut peg (16) locates into the tensioning hole (17).
- ◆ Place the chain cover (6) onto the saw.
- ◆ Fit the chain cover bolt (7) and tighten it finger tight.
- ◆ Turn the screw (14) (fig. D) clockwise until the chain is tight. Make sure that the chain is snug around the guide bar. Do not overtighten.
- ◆ Tighten the chain cover bolt using the spanner supplied.

**Checking and adjusting the chain tension (fig. D)**

Before use and after every 10 minutes of use, you must check the chain tension.

- ◆ Lightly pull on the chain as shown. The tension is correct when the chain snaps back after being pulled 3 mm away from the guide bar. There should be no "sag" between the guide bar and chain on the underside.

Note: Do not over-tension the chain as this will lead to excessive wear and will reduce the life of the bar and chain.

Note: When the chain is new, check the tension frequently (after disconnecting from the mains) during the first 2 hours of use as a new chain stretches slightly.

To increase the tension:

- ◆ Turn the screw (14) clockwise.

**USE**

Let the tool work at its own pace. Do not overload.

**Filling oil into the reservoir (fig. E)**

- ◆ Remove the oil cap (3) and fill the reservoir with the recommended chain oil. You can see the oil level in the indicator slot (4). Refit the oil cap.
- ◆ Periodically switch off and check the oil in the indicator; if it is less than a quarter full, disconnect your chainsaw from the mains and refill with the correct oil.

**Auto-stop chainbrake (fig. F & G)**

This tool is fitted with an auto-stop chainbrake which will stop the chain within 150 ms each time you release the rear trigger, or if kickback should occur. This brake should be tested before every use.

**How to set the chainbrake**

- ◆ Make sure that the tool is disconnected from the mains supply.
- ◆ Pull the front guard (5) back into the "set" position (C).

The tool is now ready to use.

**How the anti-kickback chainbrake works**

In the event of kickback, your left hand comes in contact with the front guard, pushing it backwards, and stops the tool within 150 ms.

**How the inertia activated chainbrake works**

The chainbrake is activated when the front hand guard is pushed forward, either manually, by the back of the users hand or by its own weight. The advantage of the inertia brake is that it is activated by a severe kickback, eg. when the chain hits metal, even if the users hand does not contact the front guard, ie. when the saw is in the felling position.

**How to test the anti-kickback chainbrake**

- ◆ Grip the tool firmly in both hands on a firm surface - make sure the chain is clear of the ground and switch on (see "How to switch your chainsaw on").
- ◆ Rotate your left hand forward around the front handle so that the back of your hand comes in contact with the front guard and pushes it backwards (fig. G). The chain should stop within a few fractions of a second.

To reset after the operation of the chainbrake

- ◆ Follow the instructions for setting the chainbrake.

Notes:

- ◆ It will not be possible to switch the tool on if the front guard is not in the "set" position.
- ◆ Avoid re-starting the tool until you hear the motor come to a complete rest.
- ◆ If the chain does not come to rest immediately then this indicates that it needs tensioning (see "Fitting the guide bar and chain").

**How to switch the tool on (fig. A)**

- ◆ Grip your chainsaw firmly with both hands. Push the lock-off button (2) forward and then push the on/off switch (1) to start.
- ◆ When the motor starts, remove your thumb from the lock button and grip the handle firmly.

Do not force the tool - allow it to do the work.

It will do a better and safer job at the speed for which it is designed. Excessive force will stretch the chain.

If the saw chain or bar becomes jammed:

- ◆ Switch the tool off.
- ◆ Disconnect the tool from the mains supply.
- ◆ Open the cut with wedges to relieve the strain on the guide bar. Do not try to wrench the saw free. Start a fresh cut.

## Felling (fig. H - J)

- ◆ Pre-plan a safe exit from falling trees or branches.
- ◆ Cut one third of the diameter of the tree (Fig. H). Then cut down from above to make a notch of about 45°. This way you will avoid pinching the saw.
- ◆ Make a single felling cut from the other side but stop before you cut through to the notch (fig. I).
- ◆ Drive a wedge or wedges into the felling cut to open it and drop the tree (fig. J).

## Logging (fig. K - M)

How you should cut depends on how the log is supported. Use a saw horse whenever possible. Always start a cut with the chain running and the spiked bumper (15) in contact with the wood (fig. K). To complete the cut use a pivoting action of the spiked bumper against the wood.

## When supported along its whole length

- ◆ Make a downward cut, but avoid cutting the earth as this will blunt your saw quickly.

## When supported at both ends

- ◆ First, cut one third down to avoid splintering and second, cut again to meet the first cut.

## When supported at one end

- ◆ First, cut one third up to avoid splintering and second, cut down to prevent splintering.

## When on a slope (fig. L)

- ◆ Always stand on the uphill side.

## When using a saw horse (fig. M)

This is strongly recommended whenever possible.

- ◆ Position the log in a stable position. Always cut on the outside of the saw horse arms.

## MAINTENANCE (fig. N)

Regular maintenance ensures a long effective life for the tool. We recommend you make the following checks on a regular basis.

### Oil level

The level in the reservoir should not be allowed to fall below a quarter full. Top up if low.

### Chain and guide bar

- ◆ After every few hours of use, remove the guide bar and chain and clean thoroughly.
- ◆ On reassembling, the guide bar should be turned through 180° and the sprocket nose greased via the sprocket lubrication hole (18). This ensures an even distribution of wear around the guide bar rails.

## TROUBLESHOOTING

If the tool does not operate correctly, check the following.

Fault	Possible cause	Action
Tool will not start.	Blown fuse. Tripped RCD. Mains lead not connected.	Replace fuse. Check RCD. Check mains supply.
Tool will not start - lock-off button will not slide.	Front guard in the brake position	Reset front guard.
Chain does not stop instantly when the tool is switched off.	Chain tension is too slack.	Check chain tension.
Bar/chain appear hot/smoking.	Oil tank empty. Chain tension is too tight. Guide bar sprocket nose needs greasing.	Check oil tank level. Check chain tension.

### Saw chain sharpening

If you are to get the best possible performance from the tool it is important to keep the teeth of the saw chain sharp. Guidance for this procedure is found on the sharpener package. For this purpose we recommend the purchase of the Black & Decker saw chain sharpening kit (available from Black & Decker service agents and selected dealers).

### Replacing worn out chains

Replacement chains are available through retailers or Black & Decker service agents. Always use genuine spare parts.

### Saw chain sharpness

The cutters will blunt immediately if they touch the ground or a nail whilst cutting.

### Saw chain tension

- ◆ Regularly check the chain tension.

### What to do if your chainsaw needs repair

Your chainsaw is in accordance with the relevant safety requirements. Repairs should only be carried out by a qualified persons using original spare parts, otherwise this may result in considerable danger to the user. We recommend you keep this user manual in a safe place.

## ACCESSORIES

Cat. no.	Description
A6154	300 mm / 12" chain
A6155	350 mm / 14" chain
A6156	400 mm / 16" chain
A6039	Sharpening kit
A6027	0.5 l chain oil

## PROTECTING THE ENVIRONMENT



Black & Decker provides a facility for recycling Black & Decker products once they have reached the end of their working life. This service is provided free of charge. To take advantage of this service please return your product to any authorised repair agent who will collect them on our behalf.

You can check the location of your nearest authorised repair agent by contacting your local Black & Decker office at the address indicated in this manual. Alternatively, a list of authorised Black & Decker repair agents and full details of our after-sales service and contacts are available on the Internet at: [www.2helpU.com](http://www.2helpU.com).

### Guarantee

Black & Decker is confident of the quality of its products and offers an outstanding guarantee. This guarantee statement is in addition to and in no way prejudices your statutory rights. The guarantee is valid within the territories of the Member States of the European Union and the European Free Trade Area.

If a Black & Decker product becomes defective due to faulty materials, workmanship or lack of conformity, within 24 months from the date of purchase, Black & Decker guarantees to replace defective parts, repair products subjected to fair wear and tear or replace such products to ensure minimum inconvenience to the customer unless:

- ◆ The product has been used for trade, professional or hire purposes;
- ◆ The product has been subjected to misuse or neglect;
- ◆ The product has sustained damage through foreign objects, substances or accidents;
- ◆ Repairs have been attempted by persons other than authorised repair agents or Black & Decker service staff.

To claim on the guarantee, you will need to submit proof of purchase to the seller or an authorised repair agent. You can check the location of your nearest authorised repair agent by contacting your local Black & Decker office at the address indicated in this manual. Alternatively, a list of authorised Black & Decker repair agents and full details of our after-sales service and contacts are available on the Internet at: [www.2helpU.com](http://www.2helpU.com).

## EC DECLARATION OF CONFORMITY



GK1330/GK1430/GK1435/GK1440/  
GK1630/1635/GK1640 series  
Black & Decker declares that these  
products conform to:  
98/37/EC, 89/336/EEC, 73/23/EEC,  
EN 50144, EN 55014  
2000/14/EC, Chainsaw  $\leq 1600$  W, Annex V

Level of sound pressure, measured according to  
2000/14/EC:

$L_{pA}$	(sound pressure)	dB(A)	88
$L_{WA}$	(acoustic power)	dB(A)	101
$L_{WA}$	(guaranteed)	dB(A)	103



Always wear ear protection if the sound  
pressure exceeds 85 dB(A).

Hand/arm weighted vibration value according to  
EN 50144:

3.5 m/s<sup>2</sup>

**TÜV Rheinland**

Cert. No.

BM981084801

Kevin Hewitt  
Director of Consumer Engineering  
Spennymoor, County Durham DL16 6JG,  
United Kingdom

# KETTENSÄGE

## Machen Sie sich mit Ihrer Kettensäge vertraut



**Achtung!** Bei der Verwendung elektrischer Geräte sind zum Schutz gegen Feuergefahr, gegen elektrischen Schlag sowie gegen Körperverletzungen grundlegende Sicherheitsmaßnahmen zu beachten.



Lesen Sie diese Anleitung genau durch, und beachten Sie vor, während und nach Verwendung Ihrer Kettensäge sämtliche Sicherheitsanweisungen. Halten Sie Ihre Kettensäge in einem einwandfreien Betriebszustand. Machen Sie sich mit den Bedienelementen an Ihrer Kettensäge vertraut, bevor Sie versuchen, das Gerät zu betreiben. Seien Sie sich aber vor allem darüber im klaren, wie Sie das Gerät in einem Notfall abschalten. Bewahren Sie diese Anleitung und die gesamte mitgelieferte Literatur zur künftigen Bezugnahme auf.

## SICHERHEITSHINWEISE

- ◆ Machen Sie sich mit Ihrer Kettensäge vertraut. Lesen Sie diese Anleitung genau durch, und machen Sie sich mit Ihrer Kettensäge vertraut. Dies gilt insbesondere für das Sägen von Rundholz. Wir empfehlen dringend, daß Anfänger das Sägen von Stümpfen auf einem Sägebock üben.
- ◆ Vermeiden Sie gefährliche Umgebungen. Halten Sie Ihren Arbeitsbereich sauber und aufgeräumt. Sorgen Sie für eine gute Beleuchtung des Arbeitsbereiches. Wo möglich, empfehlen wir dringend den Gebrauch eines Sägebocks.



Sägen Sie kein nasses Holz, und verwenden Sie Ihre Kettensäge nicht bei Regen.

- ◆ Halten Sie Personen fern, während Ihre Kettensäge verwendet wird.

Lassen Sie niemals zu, daß sich Kinder, andere Personen oder Tiere beim Gebrauch in der Nähe Ihrer Kettensäge aufhalten.

- ◆ Pflegen Sie Ihre Kettensäge, wenn sie nicht benutzt wird. Lagern Sie Ihre Kettensäge nicht einen längeren Zeitraum, ohne zuerst die Sägekette und das Führungsschwert zu entfernen. Diese Teile sollten in Öl eingetaucht werden. Bewahren Sie sämtliche Teile Ihrer Kettensäge an einem trockenen, sicheren Ort außerhalb der Reichweite von Kindern auf. Wir empfehlen, den Ölbehälter vor der Aufbewahrung zu entleeren.
- ◆ Wenden Sie keine Gewalt an Ihrer Kettensäge an. Die Arbeit wird besser und sicherer ausgeführt, wenn mit der Geschwindigkeit gearbeitet wird, für die das Gerät ausgelegt ist.



**Schutzkleidung.** Tragen Sie eng anliegende Schutzkleidung, und tragen Sie einen Schutzhelm mit Visier bzw. eine Schutzbrille, einen Gehörschutz, Sicherheitsschuhe, eine Latzhose und kräftige Arbeitshandschuhe aus Leder.

- ◆ Mißbrauchen Sie nicht das Kabel. Tragen Sie die Kettensäge niemals am Kabel, und ziehen Sie den Stecker niemals am Kabel aus der Steckdose. Schützen Sie das Kabel vor Hitze, Öl und scharfen Kanten. Überprüfen Sie das Kabel öfters auf Beschädigung.
- ◆ Sichern Sie das Werkstück mit Zwingen oder Spannvorrichtungen. Stellen Sie sicher, daß Sie beim Gebrauch Ihrer Säge beide Hände verwenden.



Ziehen Sie den Netzstecker aus der Steckdose, bevor Sie sich an einen anderen Arbeitsplatz begeben, bevor Sie Einstellungen, Schärf- oder Reinigungsarbeiten durchführen, und bevor Sie Zubehör wie beispielsweise die Kette auswechseln, oder falls die Leitung verwickelt oder beschädigt ist.

- ◆ Lassen Sie keine Schraubenschlüssel stecken. Machen Sie es sich zur Gewohnheit, darauf zu achten, daß Schraubenschlüssel von Ihrer Kettensäge entfernt wurden, bevor Sie das Gerät einschalten.
- ◆ Verwenden Sie ausschließlich Verlängerungskabel vom Typ HO7RN-F mit mindestens 2 x 1 mm<sup>2</sup>.
- ◆ Seien Sie stets aufmerksam. Betreiben Sie Ihre Kettensäge niemals, wenn Sie müde sind.
- ◆ Prüfen Sie, ob Teile beschädigt sind. Vor dem weiteren Gebrauch Ihrer Kettensäge müssen Schutzvorrichtungen und andere Teile genau überprüft werden, um festzustellen, ob die Teile einwandfrei arbeiten und ihre Funktion erfüllen. Überprüfen Sie die Ausrichtung von beweglichen Teilen. Stellen Sie fest, ob bewegliche Teile festsitzen, Teile gebrochen sind, sowie deren Befestigung und Zustand, der die Funktion beeinträchtigen könnte. Eine beschädigte Schutzvorrichtung oder andere beschädigte Teile müssen von einer unserer Kundendienstwerkstätten ordnungsgemäß repariert bzw. erneuert werden. Verwenden Sie Ihre Kettensäge nicht, wenn der Ein-/Ausschalter nicht funktioniert.



**Achtung!** Die Verwendung von Zubehörteilen oder Anbaugeräten, die nicht in dieser Anleitung empfohlen sind, stellt ein Verletzungsrisiko dar.

- ◆ Halten Sie die Säge bei allen Sägearbeiten stets mit beiden Händen fest, wobei die Daumen und Finger die Sägehandgriffe umschließen müssen. Lassen Sie das Gerät erst los, wenn sich die Kettensäge nicht mehr bewegt.
- ◆ Achten Sie auf einen sicheren Stand, und planen Sie einen sicheren Fluchtweg vor dem kippenden Baum oder Ästen.
- ◆ Verwenden Sie Keile, um das Fällen unter Kontrolle zu halten und um zu verhindern, daß die Kette mit Führungsschwert im Schnitt blockiert.
- ◆ Halten Sie alle Körper- und Kleidungsstücke von der Kette fern, während das Gerät in Betrieb ist. Vergewissern Sie sich vor dem Einschalten, daß Ihrer Kettensäge keine Gegenstände berührt.

Berühren Sie die Kette niemals mit den Händen, und versuchen Sie niemals, die Kette mit der Hand anzuhalten.

- ◆ Tragen Sie Ihre Kettensäge vorsichtig mit gezogenem Netzkabel, Führungsschwert und Kette hinten, und angebrachter Hülle.
- ◆ Halten Sie Ihre Kettensäge sauber. Lassen Sie nicht zu, daß sich Schmutz oder Sägemehl an Ihrer Kettensäge bildet. Achten Sie insbesondere auf die Lufteinlaß- und -auslaßschlitze; diese Teile dürfen nicht verstopfen. Reinigen Sie Ihre Kettensäge mit einem trockenen Tuch; verwenden Sie hierzu jedoch keine Lösungs- oder Reinigungsmittel.
- ◆ Pflege der Sägekette. Halten Sie die Sägekette scharf und eng am Führungsschwert anliegend. Stellen Sie sicher, daß Kette und Führungsschwert sauber und ausreichend geölt sind.



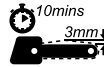
Vorsicht vor Rückschlägen! Beim Rückschlag handelt es sich um die Aufwärts-/Rückwärtsbewegung des Führungsschwerts, die auftreten kann, sobald die Kettenspitze unerwartet einen Gegenstand berührt. Halten Sie Ihre Kettensäge mit beiden Händen sicher fest, wenn der Motor läuft. Umgreifen Sie mit den Daumen und Fingern sicher die Handgriffe, und achten Sie genau darauf, was Sie durchsägen.

Ein Rückschlag kann verursacht werden durch:

- ◆ Versehentliche Berührung von Ästen oder anderen Gegenständen mit der Sägespitze, während sich die Kette bewegt.
- ◆ Berührung von Metall, Zement oder anderen harten Gegenständen in der Nähe oder innerhalb des Holzes.
- ◆ Eine stumpfe oder lockere Kette.
- ◆ Schnitte oberhalb der Schulterhöhe.
- ◆ Mangelnde Aufmerksamkeit beim Halten oder Führen der Säge während des Schnittvorgangs.
- ◆ Überstrecken. Achten Sie jederzeit auf einen sicheren Stand und eine sichere Balance, und überstrecken Sie sich nicht.
- ◆ Führen Sie die Säge nicht in einen vorhandenen Schnitt ein, da hierdurch ein Rückschlag verursacht werden kann. Führen Sie stets einen neuen Schnitt durch.



- ◆ Wir empfehlen dringend, Ihre Kettensäge niemals in einem Baum, auf einer Leiter oder auf einer anderen instabilen Fläche zu betreiben. Sollten Sie sich dennoch hierzu entschließen, seien Sie sich darüber im klaren, daß diese Positionen äußerst gefährlich sind.
- ◆ Seien Sie sich beim Durchtrennen eines Asts unter Spannung über das Zurückschnellen des Asts im klaren, damit Sie nicht angeschlagen werden, wenn sich der Ast entspannt.
- ◆ Vermeiden Sie Schnitte:
  - ◆ In vorbehandeltes Holz.
  - ◆ In den Boden.
  - ◆ In Drahtzäune, Nägel, usw.
  - ◆ In Büsche oder Jungbäume, da sich Kleinteile in der Kette verfangen und in Ihre Richtung geschleudert werden oder Sie aus dem Gleichgewicht bringen können.
- ◆ Verwenden Sie Ihre Kettensäge nicht oberhalb der Schulterhöhe.
- ◆ Stellen Sie sicher, daß sich für den Fall eines Unfalls jemand in der Nähe befindet (jedoch in einem Sicherheitsabstand).
- ◆ Falls Sie die Kette aus irgendeinem Grund berühren müssen, vergewissern Sie sich, daß Ihre Kettensäge vom Netz getrennt ist.
- ◆ Der Schallpegel dieses Geräts kann 85 dB(A) überschreiten. Daher empfehlen wir, entsprechende Gehörschutzmaßnahmen zu ergreifen.



Um stets einen sicheren Betrieb zu gewährleisten, überprüfen Sie nach jedem 10-Minuten-Gebrauch die Kettenspannung gemäß Beschreibung in dieser Anleitung. Stellen Sie das Spiel ggf. wieder auf 3 mm zurück.

## Schutzisolation



Ihre Kettensäge ist schutzisoliert. Das heißt, daß sämtliche äußeren Metallteile von der Spannungsversorgung elektrisch isoliert sind. Dies wird durch eine zusätzliche Isolation zwischen den elektrischen und mechanischen Teilen bewerkstelligt. Schutzisolation bedeutet größere elektrische Sicherheit, und die Notwendigkeit entfällt, das Gerät zu erden.

## Elektrische Sicherheit

- ◆ Vergewissern Sie sich, daß Ihre Kettensäge für Ihre Netzspannung geeignet ist. Die Spannung ist auf dem Typenschild zu finden.

## Technische Daten

Schwertlänge	30 cm	35 cm	40 cm
Versorgungsspannung (Volt)	230	230	230
Leistungsaufnahme (Watt)	1300/1400/1600	1400/1600	1400/1600
Max. Schnittlänge (cm)	30	35	40
Kettengeschwindigkeit (im Leerlauf, m/s)	8	8	8
Gewicht (kg)	3.7	3.8	3.9
Ölfüllmenge (ml)	180	180	180
Schutzklasse	II	II	II

## GERÄTEBESCHREIBUNG (Abb. A)

1. Ein-/Aus-Schalter
2. Einschaltsperr
3. Öltankdeckel
4. Ölpegelanzeige
5. Vordere Schutzvorrichtung/Kettenbremse
6. Kettenabdeckung
7. Kettenabdeckungsschraube
8. Führungsschwert
9. Kette

## Warnsymbole auf Ihrer Kettensäge



Lesen Sie diese Anleitung vollständig und sorgfältig durch.



Verwenden Sie Ihre Kettensäge nicht bei nassen Bedingungen, und setzen Sie sie keinem Regen aus.



Tragen Sie stets einen Gehör- und Augenschutz.



Ziehen Sie immer den Stecker aus der Netzsteckdose, ehe Sie überprüfen, ob das Kabel beschädigt ist. Verwenden Sie Ihre Kettensäge auf keinen Fall, wenn das Kabel beschädigt ist.

10. Kettenhülle

11. Schraubenschlüssel

## MONTAGE



Vergewissern Sie sich vor der Montage, daß das Gerät ausgeschaltet ist und daß der Netzstecker gezogen wurde.

### Ölen der Kette (Abb. A)

- ◆ Diese Aufgabe ist durchzuführen, wenn eine neue Kette zum ersten Mal verwendet wird. Nehmen Sie die neue Kette aus ihrem Kunststoffbeutel heraus, und tauchen Sie sie vor dem Gebrauch mindestens eine Stunde lang in Kettenöl ein. Verwenden Sie Black & Decker Kettenöl (Kat. Nr. A6027).
- ◆ Wir empfehlen, während der gesamten Lebensdauer der Kette ausschließlich eine Ölsorte zu verwenden, da das Mischen verschiedener Öle die Ölqualität mindern kann, was wiederum zu einer drastischen Verkürzung der Lebensdauer der Kette führen kann.
- ◆ Verwenden Sie niemals gebrauchtes, dickflüssiges oder sehr dünnflüssiges Nähmaschinenöl. Hierdurch kann Ihre Kettensäge beschädigt werden.

### Anbringen des Führungsschwerts und der Kette (Abb. B, C & D)



Tragen Sie Schutzhandschuhe.

- ◆ Legen Sie die Säge auf eine stabile Oberfläche.
- ◆ Lösen und entfernen Sie die Kettenabdeckungsschraube (7) (Abb. C).
- ◆ Entfernen Sie die Kettenabdeckung (6).
- ◆ Legen Sie die Kette (9) über das Führungsschwert (8) und stellen Sie sicher, daß die Schneidezähne auf der Oberseite des Führungsschwerts zur Schwertspitze weisen (Abb. B).
- ◆ Führen Sie die Kette so um das Führungsschwert, daß Sie am hinteren Ende des Führungsschwerts eine Schlaufe erhalten.
- ◆ Bringen Sie die Schneidgarnitur an der Säge an.

Führen Sie die Kette um das Kettenritzel (12). Setzen Sie das Führungsschwert auf die Fixierbolzen (13). Stellen Sie sicher, daß sich der Gleitmuttersteg (16) im Spannloch (17) befindet.

- ◆ Montieren Sie die Kettenabdeckung (6).
- ◆ Bringen Sie die Kettenabdeckungsschraube (7) an und ziehen Sie sie fingerfest an.
- ◆ Drehen Sie die Schraube (14) (Abb. D) im Uhrzeigersinn, bis die Kette fest ist. Vergewissern Sie sich, daß die Kette eng am Kettenschwert anliegt. Spannen Sie die Kette nicht zu fest an!
- ◆ Ziehen Sie die Kettenabdeckungsschraube mit dem mitgelieferten Schraubenschlüssel an.

### Überprüfung und Einstellung der Kettenspannung (Abb. D)

Die Kettenspannung muß während der Arbeit alle 10 Minuten geprüft werden.

- ◆ Ziehen Sie wie angegeben leicht an der Kette. Die Spannung stimmt, wenn sich die Kette ca. 3 mm vom Führungsschwert abheben läßt. Zwischen dem Führungsschwert und der Kette darf kein "Durchhang" an der Unterseite vorhanden sein.

Hinweis: Überspannen Sie die Kette nicht, daß dies zu übermäßigem Verschleiß und einer Verringerung der Lebensdauer des Schwertes sowie der Kette führen würde.

Hinweis: Ist die Kette neu, überprüfen Sie die Spannung während der ersten 2 Betriebsstunden häufiger (nach dem Trennen vom Netz), da sich eine neue Kette etwas dehnt.

Um die Spannung zu erhöhen:

- ◆ Drehen Sie die Schraube (14) im Uhrzeigersinn.

## GEBRAUCH



Beschleunigen Sie den Arbeitsvorgang nicht mit Gewalt. Vermeiden Sie eine Überlastung des Gerätes.

### Auffüllen des Ölbehälters (Abb. E)

- ◆ Entfernen Sie den Öltankdeckel (3), und füllen Sie den Behälter mit dem empfohlenen Kettenöl.

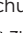
Der Ölpegel ist im Anzeigeschlitz (4) zu sehen. Bringen Sie den Öltankdeckel wieder an.

- ◆ Schalten Sie das Gerät ab, und überprüfen Sie den Ölpegel im Anzeiger regelmäßig; falls der Ölpegel ein Viertel der Füllmenge unterschreitet, trennen Sie Ihre Kettensäge vom Netz, und füllen Sie das richtige Öl nach.

### **Auto-Stop-Kettenbremse (Abb. F & G)**

Dieses Gerät ist mit einer Auto-Stop-Kettenbremse ausgestattet, die die Kette innerhalb von 150 Millisekunden anhält, sobald der rückwärtige Auslöser losgelassen wird oder ein Rückschlag auftreten sollte. Diese Bremse sollte vor jedem Gebrauch getestet werden.

#### **Wie man die Kettenbremse einstellt**

- ◆ Vergewissern Sie sich, daß das Gerät vom Netz getrennt ist.
- ◆ Ziehen Sie die vordere Schutzvorrichtung (5) in die "Einstellposition"  zurück.

Das Gerät ist nun betriebsbereit.

#### **Wie die Anti-Rückschlag-Kettenbremse funktioniert**

Im Falle eines Rückschlags berührt Ihre linke Hand die vordere Schutzvorrichtung, die dann zurückgeschoben wird und das Gerät innerhalb von 150 Millisekunden anhält.

#### **Wie die trägheitsbetätigte Kettenbremse funktioniert**

Die Kettenbremse wird ausgelöst, sobald der vordere Handschutz entweder manuell, durch den Handrücken, oder das Eigengewicht nach vorne gedrückt wird. Der Vorteil der Trägheitsbremse besteht darin, daß die Bremse durch einen schweren Rückschlag, d.h. durch Kontakt der Kette mit Metall, ausgelöst wird, selbst wenn die Hand des Benutzers die vordere Schutzvorrichtung nicht berührt, also wenn sich die Säge in der Fallstellung befindet.

#### **Wie man die Anti-Rückschlag-Kettenbremse testet**

- ◆ Halten Sie das Gerät sicher mit beiden Händen auf einer soliden Oberfläche fest, stellen Sie sicher, daß die Kette vom Boden befreit ist, und schalten Sie das Gerät ein (siehe "Wie man die Kettensäge einschaltet").

- ◆ Drehen Sie Ihre linke Hand nach vorne um den vorderen Handgriff herum, so daß Ihr Handrücken die vordere Schutzvorrichtung berührt und zurückschiebt (Abb. G). Die Kette muß nun innerhalb eines Bruchteils einer Sekunde anhalten.

Zurücksetzen nach dem Auslösen der Kettenbremse

- ◆ Befolgen Sie die Anweisungen für das Einstellen der Kettenbremse.

Hinweise:

- ◆ Es ist nicht möglich, das Gerät einzuschalten, wenn sich die vordere Schutzvorrichtung nicht in der "Einstellposition" befindet.
- ◆ Vermeiden Sie das erneute Einschalten des Geräts, bis Sie hören, daß der Motor vollkommen zum Stillstand gekommen ist.
- ◆ Falls die Kette nicht sofort stehenbleibt, so ist dies ein Hinweis dafür, daß die Kette gespannt werden muß (siehe "Anbringen des Führungsschwerts und der Kette").

#### **Wie man das Gerät einschaltet (Abb. A)**

- ◆ Halten Sie Ihre Kettensäge mit beiden Händen sicher fest. Drücken Sie die Einschaltsperrle (2) nach vorn, und drücken Sie anschließend auf den Ein-/Ausshalter (1), um das Gerät einzuschalten.
- ◆ Sobald der Motor startet, nehmen Sie den Daumen von der Einschaltsperrle, und halten Sie den Handgriff sicher fest.

Üben Sie keine Gewalt auf das Gerät aus - lassen Sie es die Arbeit ordnungsgemäß verrichten. Die Arbeit wird besser und sicherer ausgeführt, wenn das Gerät mit der Geschwindigkeit arbeitet, für die es auch ausgelegt ist. Zuviel Gewalt dehnt die Kette.

Falls die Kette oder das Schwert festklemmen:

- ◆ Schalten Sie das Gerät aus.
- ◆ Trennen Sie das Gerät vom Netz.
- ◆ Erweitern Sie den Schnitt mit Keilen, um die Belastung auf das Führungsschwert zu beseitigen. Versuchen Sie nicht, die Säge freizuhebeln. Beginnen Sie mit einem neuen Schnitt.

## Fällen (Abb. H - J)

- ◆ Planen Sie einen sicheren Fluchtweg vor den kippenden Bäumen oder Ästen.
- ◆ Sägen Sie ein Drittel des Baumdurchmessers an (Abb. H). Sägen Sie anschließend von oben nach unten, um eine Kerbe von ca. 45° zu erhalten. Auf diese Weise wird vermieden, daß die Säge festklemmt.
- ◆ Machen Sie einen einzelnen Fällschnitt von der anderen Seite aus, den Sie jedoch beenden, bevor Sie sich bis zur Kerbe vorgearbeitet haben (Abb. I).
- ◆ Treiben Sie einen Keil oder mehrere Keile in den Fällschnitt hinein, um diesen zu öffnen und den Baum zum Kippen zu bringen (Abb. J).

## Sägen von Stümpfen (Abb. K - M)

Wie der Schnitt ausgeführt werden sollte, hängt davon ab, wie der Stumpf gestützt wird. Verwenden Sie nach Möglichkeit einen Sägebock. Beginnen Sie einen Schnitt immer mit laufender Kette und den Anschlagkrallen (15) am Holz (Abb. K). Um den Schnitt zu beenden, nutzen Sie die Pendelwirkung der Anschlagkrallen am Holz.

### Beim Abstützen entlang der gesamten Länge

- ◆ Führen Sie einen Abwärtsschnitt durch. Vermeiden Sie hierbei jedoch, in das Erdreich zu schneiden, da die Säge hierdurch schnell stumpf wird.

### Beim Abstützen an beiden Enden

- ◆ Schneiden Sie zunächst ein Drittel nach unten, um ein Splintern zu verhindern. Schneiden Sie anschließend so, daß Sie den ersten Schnitt treffen.

### Beim Abstützen an einem Ende

- ◆ Schneiden Sie zunächst ein Drittel nach oben, und anschließend nach unten, um ein Splintern zu verhindern.

### Bei Sägearbeiten auf einem Hang (Abb. L)

- ◆ Halten Sie sich stets bergauf gerichtet auf.

### Bei Verwendung eines Sägebocks (Abb. M)

Wo möglich, wird die Verwendung eines Sägebocks dringend empfohlen.

- ◆ Bringen Sie den Stumpf in eine stabile Lage. Schneiden Sie stets an der Außenseite der Sägebockhalter.

## WARTUNG (Abb. N)

Eine regelmäßige Wartung stellt eine lange Lebensdauer des Geräts sicher. Wir empfehlen, folgende Kontrollen regelmäßig durchzuführen.

### Ölpegel

Der Pegel im Behälter darf eine Viertelfüllung nicht unterschreiten. Füllen Sie Öl nach, falls der Ölpegel niedrig ist.

### Kette und Führungsschwert

- ◆ Entfernen Sie stets nach einigen Stunden Gebrauch das Führungsschwert und die Kette, und reinigen Sie die Teile sorgfältig.
- ◆ Beim Wiederzusammenbau muß das Führungsschwert um 180° gedreht und die Kettenradnase durch die Kettenrad-Schmieröffnung (18) geschmiert werden. Dadurch wird eine gleichmäßige Abnutzung um die Führungsschwertschienen herum gewährleistet.

### Schärfen der Sägekette

Um die größtmögliche Leistung mit dem Gerät zu erzielen, ist es wichtig, die Schneiden der Kette scharf zu halten. Die Anweisungen hierzu finden Sie auf dem Paket des Schärfers. Hierzu empfehlen wir den Kauf des Black & Decker Kettenschärfersatzes (bei Ihrem Black & Decker Vertreter und im Fachhandel erhältlich).

### Erneuern einer verschlissenen Kette

Austauschketten sind über den Fachhandel oder beim Black & Decker Vertreter erhältlich. Verwenden Sie ausschließlich Original-Ersatzteile.

### Schärfe der Sägekette

Die Schneiden werden sofort stumpf, falls sie beim Sägen den Boden oder einen Nagel berühren.

### Kettenspannung

- ◆ Überprüfen Sie regelmäßig die Kettenspannung.

**Was zu tun ist, falls Ihre Kettensäge repariert werden muß**

Ihre Kettensäge entspricht den einschlägigen Sicherheitsbestimmungen. Reparaturen sind nur von autorisierten Fachkräften und mit Original-Ersatzteilen vorzunehmen; andernfalls kann Unfallgefahr für den Betreiber entstehen. Wir empfehlen, diese Anleitung an einem sicheren Ort aufzubewahren.

**ZUBEHÖR**

Kat. Nr.	Beschreibung
A6154	300 mm / 12"-Kette
A6155	350 mm / 14"-Kette
A6156	400 mm / 16"-Kette
A6039	Kettenschärfer-Satz
A6027	0,5 l Kettenöl

**UMWELTSCHUTZ**



Black & Decker nimmt Ihre ausgedienten Black & Decker Geräte gern zurück und sorgt für eine umweltfreundliche Entsorgung. Diese Dienstleistung ist für Sie kostenlos. Um diese Dienstleistung in Anspruch zu nehmen, geben Sie das Gerät bitte bei einer autorisierten Reparaturwerkstatt ab, die für uns die Einsammlung übernimmt.

Die Adresse des zuständigen Büros von Black & Decker finden Sie in dieser Anleitung, darüber läßt sich die nächstgelegene Vertragswerkstatt ermitteln. Außerdem ist eine Liste der Vertragswerkstätten und aller Kundendienststellen von Black & Decker sowie der zuständigen Ansprechpartner im Internet zu finden unter: [www.2helpU.com](http://www.2helpU.com).

**Garantie**

Black & Decker vertraut auf die Qualität der eigenen Geräte und bietet dem Käufer eine außergewöhnliche Garantie. Diese Garantiezusage versteht sich unbeschadet der gesetzlichen Gewährleistungsansprüche und schränkt diese keinesfalls ein. Sie gilt in sämtlichen Mitgliedsstaaten der Europäischen Union und der Europäischen Freihandelszone EFTA.

Tritt innerhalb von 24 Monaten ab Kaufdatum an einem Gerät von Black & Decker ein auf Material- oder Verarbeitungsfehler zurückzuführender Mangel auf, garantiert Black & Decker den Austausch defekter Teile, die Reparatur von Geräten mit üblichem Verschleiß bzw. den Austausch eines mangelhaften Geräts, ohne den Kunden dabei mehr als unbedingt nötig in Anspruch zu nehmen, allerdings vorbehaltlich folgender Ausnahmen:

**FEHLERSUCHE**

Falls das Gerät nicht einwandfrei arbeitet, überprüfen Sie folgendes:

Störung	Mögliche Ursache	Abhilfe
Das Gerät startet nicht.	Die Sicherung ist durchgebrannt. Der Schutzschalter hat ausgelöst. Die Netzleitung ist nicht angeschlossen.	Erneuern Sie die Sicherung. Überprüfen Sie den Schutzschalter. Überprüfen Sie die Spannungsversorgung.
Das Gerät startet nicht - die Einschaltsperrle läßt sich nicht schieben.	Die vordere Schutzvorrichtung befindet sich in der Bremsstellung.	Setzen Sie die vordere Schutzvorrichtung zurück.
Die Kette bleibt nicht sofort stehen, sobald das Gerät abgeschaltet wird.	Die Kette ist zu schwach gespannt.	Überprüfen Sie die Kettenspannung.
Das Führungsschwert/die Kette ist heiß oder qualmt.	Der Öltank ist leer. Die Kette ist zu stramm gespannt. Die Führungsschwert-Kettenradnase muß gefettet werden.	Überprüfen Sie den Ölpegel im Tank. Überprüfen Sie die Kettenspannung.

- ◆ wenn das Gerät gewerblich, beruflich oder im Verleihgeschäft benutzt wurde;
- ◆ wenn das Gerät mißbräuchlich verwendet oder mit mangelnder Sorgfalt behandelt wurde;
- ◆ wenn das Gerät durch irgendwelche Fremdeinwirkung beschädigt wurde;
- ◆ wenn ein unbefugter Reparaturversuch durch anderes Personal als das einer Vertragswerkstatt oder des Black & Decker-Kundendienstes unternommen wurde.

Zur Inanspruchnahme dieser Garantie ist dem Verkäufer bzw. der Vertragswerkstatt ein Kaufnachweis vorzulegen. Der Kaufnachweis muß Kaufdatum und Gerätetyp bescheinigen.

Die Adresse des zuständigen Büros von Black & Decker steht in dieser Anleitung, darüber läßt sich die nächstgelegene Vertragswerkstatt ermitteln. Außerdem ist eine Liste der Vertragswerkstätten und aller Kundendienststellen von Black & Decker sowie der zuständigen Ansprechpartner im Internet zu finden unter: [www.2helpU.com](http://www.2helpU.com).

Gewichteter Effektivwert der Beschleunigung nach EN 50144:

3,5 m/s<sup>2</sup>

**TÜV Rheinland**

Zertifikat-Nr.

BM981084801



Kevin Hewitt  
 Director of Consumer Engineering  
 Spennymoor, County Durham DL16 6JG,  
 United Kingdom

## EU-KONFORMITÄTSERKLÄRUNG



GK1330/GK1430/GK1435/GK1440/  
 GK1630/1635/GK1640

Black & Decker erklärt hiermit, daß diese Geräte entsprechend folgenden Richtlinien und Normen konzipiert wurden:  
 98/37/EWG, 89/336/EWG, 73/23/EWG,  
 EN 50144, EN 55014  
 2000/14/EWG, Kettensäge ≤ 1600 W,  
 Anhang V

Höhe des Schalldrucks, gemessen nach 2000/14/EWG:

L <sub>pA</sub> (Schalldruck)	dB(A)	88
L <sub>WA</sub> (Schalleistung)	dB(A)	101
L <sub>WA</sub> (garantiert)	dB(A)	103



Tragen Sie bei einem Schalldruck über 85 dB(A) einen Gehörschutz.

# TRONÇONNEUSE

## Apprenez à connaître votre tronçonneuse



**Attention!** Lors de l'utilisation d'outils électriques, observez les consignes de sécurité fondamentales afin de réduire les risques d'incendie, de décharges électriques et de blessures.



Lisez attentivement ce manuel, observez bien toutes les consignes de sécurité indiquées pendant et après l'utilisation de votre tronçonneuse. Conservez votre tronçonneuse en bon état. Familiarisez-vous avec les commandes de votre tronçonneuse avant de la mettre en marche pour la première fois, mais assurez-vous surtout que vous savez comment éteindre l'outil en cas d'urgence. Conservez ce manuel d'utilisateur et tous les autres documents fournis pour pouvoir les consulter au besoin.

## INSTRUCTIONS DE SECURITE

- ◆ Apprenez à connaître votre tronçonneuse. Veuillez lire attentivement ce manuel et familiarisez-vous avec votre tronçonneuse, en particulier pour scier du bois rond. Nous conseillons vivement aux utilisateurs inexpérimentés de s'entraîner en sciant des billes sur un chevalet de sciage ou sur un berceau.
- ◆ Évitez tous les environnements nocifs. Faites en sorte de travailler dans un endroit propre et en ordre. Veillez à ce que l'aire de travail soit bien éclairée. Nous vous conseillons vivement d'utiliser un chevalet de sciage ou un berceau chaque fois que cela est possible.



Ne sciez pas du bois mouillé et n'utilisez pas votre tronçonneuse par temps de pluie.

- ◆ Veillez à tenir tous les visiteurs à distance de votre tronçonneuse en marche. Ne laissez pas les enfants, les visiteurs ou les animaux s'approcher de votre tronçonneuse en marche.

- ◆ Entretenez votre tronçonneuse lorsque vous ne l'utilisez pas. Si vous souhaitez ranger votre tronçonneuse pour une période de temps prolongée, enlevez la chaîne et le guide de chaîne qui doivent être conservés dans un bain d'huile. Rangez toutes les pièces de votre tronçonneuse dans un endroit sec et sûr hors de portée des enfants. Nous vous recommandons de purger le réservoir d'huile avant de ranger l'outil.
- ◆ Ne forcez pas la tronçonneuse. Elle fonctionne mieux et plus sûrement si elle est utilisée à la vitesse pour laquelle elle a été conçue.



**Vêtements de protection.** Veillez à ne pas porter de vêtements trop flottants.

Portez des vêtements de sécurité, un casque de sécurité avec viseur/masque, des protections auditives, des chaussures de sécurité, un pantalon molletonné de protection et des gants en cuir renforcés.

- ◆ Ne tirez pas sur le câble d'alimentation. Ne portez jamais la tronçonneuse par le câble et ne tirez pas sur celui-ci pour le débrancher de la prise. Préservez le câble de la chaleur, de l'huile et des arêtes tranchantes. Assurez-vous fréquemment que le câble est bien en bon état.
- ◆ Fixez bien votre travail à l'aide de pattes de serrage ou de cales. Tenez fermement la tronçonneuse à deux mains.



Débranchez-le du secteur avec de changer d'aire de travail, avant tout réglage, affûtage ou nettoyage, avant de remplacer un accessoire comme la chaîne, ou si le câble est emmêlé ou endommagé.

- ◆ Réglage des clés. Prenez l'habitude de vérifier que vous avez bien retiré les clés de réglage avant de démarrer votre tronçonneuse.
- ◆ N'utilisez que le câble de rallonge type HO7RN-F 2 x 1mm<sup>2</sup> au minimum.
- ◆ Faites preuve de vigilance. Ne travaillez jamais avec votre tronçonneuse si vous êtes fatigué.
- ◆ Contrôlez les dommages éventuels.

Avant d'utiliser votre tronçonneuse, si une protection ou une autre pièce est endommagée, vous devez vérifier soigneusement si elle peut fonctionner correctement et remplir son rôle. Vérifiez l'alignement des pièces mobiles, vérifiez qu'elles sont bien droites et en bon état, qu'elles sont bien montées et en tout cas capables de remplir leur rôle. Une protection ou autre pièce endommagée doit être réparée correctement ou remplacée par un technicien agréé. N'utilisez pas votre tronçonneuse si l'interrupteur marche/arrêt ne fonctionne pas.



**Attention!** L'utilisation d'un accessoire autre que ceux recommandés dans ce manuel d'utilisateur peut présenter un risque de blessure.

- ◆ Pour toutes les types de coupes, tenez toujours fermement la scie à deux mains, en serrant les poignées avec les pouces et les doigts. Ne lâchez pas la poignée tant que la tronçonneuse n'a pas cessé de bouger.
- ◆ Tenez-vous dans un endroit sûr et prévoyez une sortie de secours en cas de chute de branches ou d'arbre.
- ◆ Utilisez des coins pour contrôler l'abattage et éviter de faire plier le guide de chaîne et la chaîne dans le bois.
- ◆ Ne vous exposez pas au contact de la chaîne pendant que la tronçonneuse est en marche. Avant de l'allumer, assurez-vous que votre tronçonneuse ne touche aucun élément quel qu'il soit. Ne touchez pas ou n'essayez pas d'arrêter une chaîne en mouvement avec votre main.
- ◆ Portez votre tronçonneuse avec précaution, câble débranché, guide de chaîne et chaîne placés vers l'arrière et étui de protection de la lame en place.
- ◆ Veillez à ce que votre tronçonneuse soit toujours propre. Ne laissez pas la poussière, l'huile ou la sciure s'accumuler sur votre tronçonneuse. Faites particulièrement attention aux orifices d'entrée et de sortie de l'air ; ils ne doivent pas être bouchés. Nettoyez votre tronçonneuse à l'aide d'un chiffon sec mais n'utilisez ni détergent ni liquide de nettoyage.

- ◆ Comment prendre soin de la chaîne. Faites en sorte que la chaîne soit bien fermement enroulée sur le guide de chaîne. Vérifiez que la chaîne et le guide sont bien propres et bien huilés.



Attention aux rebonds. Le rebond est le mouvement vers l'avant/vers l'arrière du guide de la chaîne, qui peut se produire lorsque la chaîne entre inopinément en contact avec un objet. Tenez bien fermement votre tronçonneuse à deux mains lorsque le moteur est en marche. Saisissez bien les poignées avec vos doigts et regardez bien attentivement ce que vous sciez.

Des rebonds peuvent se produire lorsque :

- ◆ vous heurtez des branches ou d'autres objets accidentellement avec une extrémité de la tronçonneuse lorsque la chaîne est en marche.
- ◆ lorsque vous heurtez du métal, du ciment ou tout autre matériau dur placé à côté du bois, ou enfoui dans le bois.
- ◆ si la chaîne est émoussée ou desserrée.
- ◆ si vous sciez au-dessus de la hauteur de votre épaule.
- ◆ en cas d'inattention lorsque vous tenez ou guidez la tronçonneuse au travail.
- ◆ en cas d'effort excessif. Tenez toujours les deux pieds à terre, gardez l'équilibre et ne faites pas d'effort excessif.
- ◆ N'essayez pas d'insérer la tronçonneuse dans une entaille préexistante. Faites toujours une nouvelle entaille.
- ◆ N'utilisez pas l'outil lorsque vous êtes monté sur un arbre, une échelle ou toute autre surface instable. Si vous décidez de le faire, soyez conscient du fait que ces positions sont extrêmement dangereuses.
- ◆ Lorsque vous coupez une branche en tension, faites attention au recul qui pourrait se produire lorsque la tension se relâche ; vous pourriez rester coincé par la tronçonneuse.
- ◆ Évitez de scier :
  - ◆ Du bois préparé.
  - ◆ Du bois enfoncé au sol.
  - ◆ Des haies à grillage, du bois cloué, etc.



- ◆ Des arbustes ou gaules de petites tailles ; les tiges minces peuvent s'accrocher dans la chaîne et être éjectées vers vous, ou vous mettre en déséquilibre.
- ◆ N'utilisez pas l'outil à une hauteur supérieure à celle de votre épaule.
- ◆ Travaillez toujours avec quelqu'un à proximité (mais respectant une distance de sécurité) pour le cas où un accident se produirait.
- ◆ Si vous devez toucher la chaîne pour quelque raison que ce soit, assurez-vous que la tronçonneuse est bien débranchée.
- ◆ Le bruit émis par la tronçonneuse peut dépasser les 85 dB(A). Nous vous recommandons vivement de prendre les mesures appropriées pour vous protéger contre le bruit.

### Symboles d'avertissement sur votre tronçonneuse.



Lisez entièrement ce manuel très attentivement.



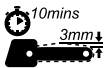
N'utilisez pas votre tronçonneuse par temps humide, et protégez-la de la pluie.



Portez toujours des lunettes de sécurité et une protection auditive.



Débranchez toujours la prise du courant avant de vérifier un câble endommagé. Faites attention de ne pas utiliser votre tronçonneuse si un câble est endommagé.



Pour pouvoir travailler en toute sécurité, vérifiez que la chaîne est bien tendue comme indiqué dans ce manuel et toutes les dix minutes d'utilisation, et resserrez-la de 3 mm au besoin.

### Double isolation



Votre tronçonneuse est équipée d'une isolation double. Ceci signifie que toutes les parties métalliques externes sont isolées électriquement du courant. Ceci est possible grâce à une barrière d'isolation supplémentaire placée entre les pièces mécaniques et les pièces électriques.

Une isolation double signifie une meilleure sécurité électrique et permet de ne pas relier la machine à la terre.

### Sécurité électrique

- ◆ Vérifiez que votre tronçonneuse est bien adaptée au réseau électrique. La tension de l'outil est indiquée sur la plaque de caractéristiques.

### Caractéristiques techniques

Longueur du guide	30 cm	35 cm	40 cm
Tension d'alimentation (V)	230	230	230
Puissance d'entrée nominale (W)	1300/1400/1600	1400/1600	1400/1600
Longueur max. de coupe (cm)	30	35	40
Vitesse de la chaîne (à vide, m/s)	8	8	8
Poids (kg)	3.7	3.8	3.9
Capacité du réservoir à huile (ml)	180	180	180
Classe de sécurité	II	II	II

### APERÇU (fig. A)

1. Interrupteur marche/arrêt
2. Bouton de blocage
3. Bouchon d'huile
4. Indicateur de niveau d'huile
5. Carter avant/frein de chaîne
6. Protection de chaîne
7. Boulon de protection de chaîne
8. Guide de chaîne
9. Chaîne
10. Gaine de chaîne
11. Clé plate

### ASSEMBLAGE



Avant l'assemblage, assurez-vous que l'outil est éteint et débranché.

### Huilage de la chaîne (fig. A)

- ◆ Vous devez exécuter les opérations suivantes lorsque vous utilisez une nouvelle chaîne pour la première fois :

Sortez la nouvelle chaîne de son sac en plastique et faites-la tremper dans de l'huile pour chaîne au moins pendant une heure avant de l'utiliser. N'utilisez que de l'huile pour chaîne de Black & Decker (cat. no. A6027).

- ◆ Nous recommandons de n'utiliser qu'une seule marque d'huile pendant toute la durée de vie de votre tronçonneuse. Si des huiles différentes sont mélangées, l'huile peut se dégrader, et raccourcir de manière conséquente la durée de vie de la tronçonneuse.
- ◆ N'utilisez jamais de l'huile usagée, épaisse ou de l'huile de machine à coudre très liquide. Ceci pourrait endommager votre tronçonneuse.

## **Pose du guide de chaîne et de la chaîne (fig. B, C & D)**



Portez des gants de protection.

- ◆ Placez la scie sur une surface stable.
- ◆ Desserrez et démontez le bouton de tension de la chaîne (7) (fig. C).
- ◆ Retirez la protection de la chaîne (6).
- ◆ Placez la chaîne (9) sur le guide de chaîne (8) en dirigeant les couteaux de la partie supérieure du guide de chaîne vers l'avant (fig. B).
- ◆ Guidez la chaîne autour du guide et tirez pour créer une boucle à l'extrémité arrière du guide de chaîne.
- ◆ Placez la chaîne et son guide sur la tronçonneuse. Guidez la chaîne autour de la roue d'entraînement (12). Placez le guide de chaîne sur les goujons (13). Assurez-vous que la cheville du coulisseau (16) est bien située dans le trou de tension (17).
- ◆ Placez la protection de chaîne (6) sur la tronçonneuse.
- ◆ Remplacez le boulon du couvercle de la chaîne (7) et serrez-le fermement à la main.
- ◆ Faites tourner la vis (14) (fig. D) dans le sens des aiguilles d'une montre jusqu'à ce que la chaîne soit bien serrée. Vérifiez que la chaîne est correctement placée autour du guide de chaîne. Ne serrez pas trop.
- ◆ Serrez fermement le boulon du couvercle de la chaîne à l'aide de la clé fournie.

## **Vérification et réglage de la tension de la chaîne (fig.D)**

Avant d'utiliser la tronçonneuse et toutes les 10 minutes pendant l'utilisation, vous devez vérifier la tension de la chaîne.

- ◆ Tirez légèrement sur la chaîne comme sur l'illustration. La tension est correcte lorsque la chaîne claque en reprenant sa place après avoir été séparée de 3 mm du guide. Il ne doit pas y avoir de "flexion" entre le guide et la chaîne à l'arrière.

Remarque : Ne surtendez pas la chaîne ; ceci entraînerait une usure prématurée et réduirait la durée de vie du guide et de la chaîne.

Remarque : Lorsque la chaîne est neuve, vérifiez fréquemment sa tension (après avoir débranché la tronçonneuse du courant électrique) pendant les deux premières heures d'utilisation, car une nouvelle chaîne a tendance à se détendre légèrement.

Pour augmenter la tension :

- ◆ Faites tourner la vis (14) dans le sens des aiguilles d'une montre.

## **UTILISATION**



Laissez l'outil fonctionner à sa propre vitesse. Ne le surchargez pas.

## **Remplissage du réservoir d'huile (fig. E)**

- ◆ Enlevez le bouchon du réservoir d'huile (3) et remplissez le réservoir avec de l'huile pour chaîne recommandée. Vous pouvez vous servir du niveau d'huile dans l'encoche du voyant pour vous guider (4). Remplacez le bouchon.
- ◆ Éteignez périodiquement la tronçonneuse et vérifiez le niveau d'huile grâce au voyant ; s'il est aux trois-quarts vide, débranchez la tronçonneuse et remplissez le réservoir avec de l'huile adaptée.

## **Frein d'arrêt automatique de chaîne (fig. F & G).**

L'outil est muni d'un frein d'arrêt automatique de chaîne : la chaîne s'arrêtera automatiquement en 150 ms si vous relâchez la gâchette arrière, ou en cas de rebond. Vérifiez le bon fonctionnement de ce frein avant toute utilisation.

Comment régler le frein automatique.

- ◆ Vérifiez que la tronçonneuse est bien débranchée.
- ◆ Remettez le carter avant (5) en position "set" (C).

Vous pouvez à présent utiliser la tronçonneuse.

Comment fonctionne le frein de chaîne anti-rebond.

En cas de rebond, votre main gauche entre en contact avec le carter avant, le pousse vers l'arrière ; l'outil s'arrête alors au bout de 150 ms.

Comment fonctionne le frein de chaîne activé par inertie.

Le frein de chaîne est activé lorsque le carter avant est poussé vers l'avant, soit manuellement, par le dos de la main de l'utilisateur, soit par son propre poids. L'avantage du frein par inertie est qu'il peut être activé par un rebond sévère, par exemple lorsque la chaîne heurte du métal, même si la main de l'utilisateur n'entre pas en contact avec le carter avant, c'est à dire lorsque la tronçonneuse est en position d'abattage.

Comment tester le frein de chaîne anti-rebond.

- ◆ Saisissez fermement l'outil à deux mains sur une surface ferme – assurez-vous que la chaîne ne repose pas sur le sol et allumez-le (voir "Comment allumer votre tronçonneuse").
- ◆ Faites pivoter votre main gauche autour de la poignée avant pour que le dos de votre main entre en contact avec le carter avant et l'enfonce vers l'arrière (fig. G). La chaîne devrait s'arrêter dans la fraction de seconde qui suit.

Comment remettre l'outil en marche après le frein automatique.

- ◆ Procédez comme indiqué pour le réglage du frein de chaîne.

Remarques :

- ◆ Il ne sera pas possible d'allumer l'outil si le carter avant n'est pas en position "set".
- ◆ Évitez de faire redémarrer l'outil si le moteur n'est pas complètement au repos.
- ◆ Si la chaîne ne se met pas immédiatement au repos, elle doit être tendue (voir "Installation du guide et de la chaîne").

Comment allumer l'outil (fig. A)

- ◆ Saisissez fermement la tronçonneuse à deux mains. Enfoncez le bouton de blocage (2) et appuyez sur l'interrupteur on/off (1) pour faire démarrer l'outil.
- ◆ Lorsque le moteur démarre, enlevez votre pouce du bouton de blocage et saisissez fermement la poignée.

Ne forcez pas l'outil – laissez-le faire son travail. Il fonctionne mieux et plus sûrement s'il est utilisé à la vitesse pour laquelle il a été conçu. Une force excessive pourrait détendre la chaîne.

Si la chaîne ou le guide se coincent :

- ◆ Éteignez l'outil.
- ◆ Débranchez l'outil.
- ◆ Ouvrez l'entaille à l'aide de coins pour relâcher la pression exercée sur le guide. N'essayez pas de dégager la tronçonneuse. Faites une nouvelle entaille.

Abattage (fig. H – J)

- ◆ Avant d'abattre, vérifiez où vont tomber les arbres ou les branches.
- ◆ Faites une entaille d'un tiers de profondeur de l'arbre (fig. H). Puis faites une coupe angulaire à environ 45° en commençant au-dessus de l'entaille. Vous éviterez ainsi de coincer la tronçonneuse.
- ◆ Faites une entaille simple de l'autre côté de l'arbre mais prenez soin de ne pas scier complètement la profondeur de l'arbre (fig. I).
- ◆ Placez un ou plusieurs coins dans cette entaille afin de l'ouvrir et de faire tomber l'arbre (fig. J).

Coupe de bûches (fig. K - M)

La façon de couper la bûche dépend de sa position. Utilisez un chevalet de sciage à chaque fois que c'est possible. Commencez toujours la coupe avec la chaîne en marche et la griffe d'abattage (15) reposant sur le bois (fig. K). Pour exécuter cette opération, faites pivoter la griffe d'abattage contre le bois.

Lorsqu'elle est soutenue sur toute sa longueur.

- ◆ Faites une coupe verticale, mais évitez de toucher le sol pour ne pas émousser la tronçonneuse.

Lorsqu'elle est soutenue aux deux extrémités.

- ◆ Coupez d'abord verticalement un tiers de sa hauteur pour éviter qu'elle ne se fende puis réalisez une seconde coupe qui rejoindra la première.

Lorsqu'elle est soutenue sur une seule extrémité.

- ◆ Coupez d'abord un tiers de sa hauteur vers le haut pour éviter qu'elle ne se fende puis coupez vers le bas.

Lorsque vous êtes sur une pente (fig. L)

- ◆ Faites toujours face à la pente.

Lorsque vous utilisez un chevalet de sciage (fig. M).

Il est conseillé d'utiliser un chevalet à chaque fois que c'est possible.

- ◆ Placez la bûche dans une position stable. Coupez toujours à l'extérieur des bras du chevalet de sciage.

## ENTRETIEN (fig. N)

Un entretien régulier permet d'accroître la durée de vie de l'outil. Il est conseillé de procéder régulièrement aux vérifications suivantes.

### Niveau d'huile

Le réservoir doit toujours être rempli au moins au quart de sa capacité. Remplissez le réservoir si le niveau d'huile est insuffisant.

## DÉPANNAGE

Si l'outil ne fonctionne pas correctement, contrôlez les points suivants :

Erreur	Cause possible	Action
L'outil ne démarre pas	Fusible fondu RCD déclenché Pas d'alimentation électrique.	Remplacez le fusible Vérifiez RCD Vérifiez l'alimentation du secteur.
L'outil ne démarre pas – le bouton de blocage est bloqué.	Carter avant en position de freinage	Remplacez le carter avant dans sa position.
La chaîne ne s'arrête pas instantanément après avoir éteint l'outil	La chaîne n'est pas assez tendue.	Vérifiez la tension de la chaîne.
La chaîne ou le guide chauffent ou fument.	Réservoir d'huile vide. La chaîne est trop tendue. Le pignon de la roue d'entraînement du guide doit être graissé.	Vérifiez le niveau d'huile. Vérifiez la tension de la chaîne.

Chaîne et guide de chaîne.

- ◆ Enlevez la chaîne et le guide de chaîne toutes les quelques heures d'utilisation et nettoyez-les soigneusement.
- ◆ Lors du montage, le guide doit toujours être tourné à 180° et le pignon de la roue d'entraînement doit être graissé par l'orifice de lubrification de la roue (18). Ceci permet une distribution uniforme de l'usure autour des rails du guide.

Comment affûter la chaîne.

Si vous souhaitez obtenir la meilleure performance possible de votre outil, il est important que les dents de la scie soient toujours bien affûtées.

Vous trouverez les instructions pour l'affûtage dans la brochure jointe à l'aiguiseur.

Nous vous conseillons à ce sujet d'acheter le kit d'affûtage de chaîne de tronçonneuse de Black & Decker (disponible auprès des réparateurs agréés Black & Decker et des distributeurs agréés).

Remplacement des chaînes usées.

Vous pourrez vous procurer des chaînes de rechange auprès des détaillants ou des réparateurs agréés Black & Decker). N'utilisez que des pièces d'origine.

Affûtage de la chaîne.

Les dents s'émeussent immédiatement si elles touchent le sol ou un clou pendant la coupe.

### Tension de la chaîne.

- ◆ Vérifiez régulièrement la tension de la chaîne.

### Que faire si votre tronçonneuse doit être réparée ?

Votre tronçonneuse est conforme aux normes de sécurité en vigueur. Les réparations devront être effectuées exclusivement par des personnes qualifiées utilisant des pièces de rechange d'origine ; dans le cas contraire, cela pourrait être très dangereux pour l'utilisateur. Nous vous conseillons de conserver ce manuel d'utilisateur dans un endroit sûr.

### Accessoires

Référence	Description
A6154	chaîne 300 mm / 12"
A6155	chaîne 350 mm / 14"
A6156	chaîne 400 mm / 16"
A6039	Kit d'affûtage
A6027	Huile pour chaîne 0,5 l

### PROTECTION DE L'ENVIRONNEMENT



Black & Decker fournit un dispositif permettant de recycler les produits Black & Decker lorsqu'ils ont atteint la fin de leur cycle de vie. Ce service est gratuit. Pour pouvoir profiter de ce service, veuillez retourner votre produit à un réparateur agréé qui se chargera de le collecter pour nous.

Pour connaître l'adresse du réparateur agréé le plus proche de chez vous, contactez le bureau Black & Decker à l'adresse indiquée dans ce manuel. Vous pourrez aussi trouver une liste des réparateurs agréés de Black & Decker et de plus amples détails sur notre service après-vente sur le site Internet à l'adresse suivante :

[www.2helpU.com](http://www.2helpU.com).

### Garantie

Black & Decker est confiant dans la qualité de ses produits et vous offre une garantie très étendue. Ce certificat de garantie est un document supplémentaire et ne peut en aucun cas se substituer à vos droits légaux.

La garantie est valable sur tout le territoire des Etats Membres de l'Union Européenne et de la Zone de Libre Echange Européenne.

Si un produit Black & Decker s'avère défectueux en raison de matériaux en mauvaises conditions, d'une erreur humaine, ou d'un manque de conformité dans les 24 mois suivant la date d'achat, Black & Decker garantit le remplacement des pièces défectueuses, la réparation des produits usés ou cassés ou remplace ces produits à la convenance du client, sauf dans les circonstances suivantes :

- ◆ Le produit a été utilisé dans un but commercial, professionnel, ou a été loué.
- ◆ Le produit a été mal utilisé ou avec négligence.
- ◆ Le produit a subi des dommages à cause d'objets étrangers, de substances ou à cause d'accidents.
- ◆ Des réparations ont été tentées par des techniciens ne faisant pas partie du service technique de Black & Decker.

Pour avoir recours à la garantie, il est nécessaire de fournir une preuve d'achat au vendeur ou à un réparateur agréé. Pour connaître l'adresse du réparateur agréé le plus proche de chez vous, contactez le bureau Black & Decker à l'adresse indiquée dans ce manuel. Vous pourrez aussi trouver une liste des réparateurs agréés de Black & Decker et de plus amples détails sur notre service après-vente sur le site Internet à l'adresse suivante : [www.2helpU.com](http://www.2helpU.com).

### DECLARATION DE CONFORMITE CE



GK1330/GK1430/GK1435/GK1440/  
GK1630/1635/GK1640

Black & Decker déclare que ces outils sont conformes aux normes:  
98/37/CEE, 89/336/CEE, 73/23/CEE,  
EN 50144, EN 55014  
2000/14/CEE, tronçonneuse ≤ 1600 W,  
Annexe V

# FRANÇAIS

Niveau de pression acoustique, mesuré suivant la norme 2000/14/CEE:

$L_{pA}$ (pression acoustique)	dB(A)	88
$L_{WA}$ (puissance acoustique)	dB(A)	101
$L_{WA}$ (garanti)	dB(A)	103



Portez toujours des protections pour les oreilles (casque) lorsque le niveau de pression acoustique est supérieur à 85 dB(A).

Niveau de vibration main/bras selon la norme EN 50144:

3,5 m/s<sup>2</sup>

**TÜV Rheinland**

Cert. No.

BM981084801

Kevin Hewitt  
Directeur du Développement  
Spennymoor, County Durham DL16 6JG,  
Royaume-Uni

# MOTOSEGA ELETTRICA

## Informazioni sulla motosega



**Attenzione!** Quando si adoperano utensili elettrici, per ridurre il rischio di incendio, scosse elettriche e danni alle persone è necessario seguire sempre delle precauzioni di sicurezza basilari, incluse le seguenti:



Leggere con attenzione il presente manuale d'uso, applicando tutte le istruzioni di sicurezza suggerite prima, durante e dopo l'uso della motosega. La motosega deve essere tenuta in buone condizioni di funzionamento. Studiare i comandi della motosega prima di tentare di utilizzarla e, soprattutto, imparare come spegnere l'attrezzo in situazioni di emergenza. Il presente manuale ed eventuale documentazione supplementare acclusa vanno conservati per consultazioni future.

## PRECAUZIONI DI SICUREZZA

- ◆ Informazioni sulla motosega. Leggere con attenzione il presente manuale d'uso per imparare il funzionamento della motosega, particolarmente per il taglio di pezzi a sezione circolare. Agli utenti inesperti si suggerisce vivamente di fare pratica segnando dei ciocchi su un cavalletto o un'intelaiatura di sostegno.
- ◆ Evitare di lavorare in ambienti pericolosi. L'area di lavoro deve essere sempre pulita e ordinata. Tenere ben illuminata l'area di lavoro. Quando possibile, si suggerisce vivamente di utilizzare un cavalletto o un'intelaiatura di sostegno.



Non segare legno umido né utilizzare la motosega se piove.

- ◆ Non consentire ad alcuno di avvicinarsi quando la motosega è in uso. Non consentire a bambini, altre persone o animali di avvicinarsi alla motosega mentre questa è in uso.

- ◆ Quando non viene adoperata, la motosega deve essere sottoposta alla manutenzione del caso. Non riporre mai la motosega senza averne rimosso la catena e la barra di guida che devono essere conservate in bagno d'olio. Tutti i componenti della motosega devono essere riposti in un luogo sicuro e asciutto, fuori dalla portata dei bambini. Si suggerisce di vuotare il serbatoio dell'olio prima di riporre la motosega.
- ◆ Non forzare la motosega: funzionerà meglio e con maggiore sicurezza se usata per la potenza nominale originale.



Indumenti di protezione. Indossare abiti aderenti e protettivi, incluso un casco con visore / occhiali di protezione, otoprotettori, scarpe di sicurezza, pantaloni protettivi e resistenti guanti di pelle.

- ◆ Non utilizzare il cavo in modo improprio. Non trasportare mai la motosega afferrandola per il cavo e non strattone il cavo per estrarre la spina dalla presa. Tenere il cavo lontano da fonti di calore, olio e bordi taglienti. Controllare spesso il cavo per verificare che non sia danneggiato.
- ◆ Fissare in posizione il pezzo da lavorare usando dei morsetti o dei cunei. La motosega va mantenuta con entrambe le mani.



Estrarre sempre la spina dalla presa di alimentazione prima di cambiare la postazione di lavoro e di regolare, affilare, pulire o sostituire qualsiasi accessorio (ad esempio la catena) o anche se il cavo s'impiglia o subisce danni.

- ◆ Chiavi di regolazione. Prima di iniziare il lavoro, controllare sistematicamente che le chiavi di regolazione siano state tolte dalla motosega.
- ◆ Adoperare esclusivamente il cavo di prolunga di tipo HO7RN-F 2 x 1mm<sup>2</sup> almeno.
- ◆ Essere sempre vigili. Non utilizzare mai la motosega quando si è stanchi.

- ◆ Controllare che non vi siano componenti danneggiati. Prima di usare la motosega, controllare attentamente se vi sono componenti danneggiati (ad esempio la protezione), per determinare se sono in grado di svolgere la loro funzione. Controllare l'allineamento delle parti mobili e che non vi siano grippaggi, danni ai componenti o ai supporti e/o altre condizioni che possano compromettere il funzionamento dell'utensile. La riparazione o sostituzione di eventuali componenti danneggiati, ad esempio una protezione o altro, devono essere affidate a un centro di assistenza tecnica autorizzato. Non adoperare la motosega se non è possibile accenderla e spegnerla mediante l'interruttore.



**Attenzione!** L'uso di accessori o attacchi diversi da quelli suggeriti nel presente manuale d'uso comporta il rischio d'infortuni.

- ◆ Per tutti i tipi di taglio, la sega va afferrata saldamente con entrambe le mani, con i pollici e le dita attorno alle impugnature. Non lasciare la presa se non dopo che la motosega si è fermata del tutto.
- ◆ Prima di abbattere dei rami o un albero, mettere a punto un programma di sicurezza che consenta di allontanarsi senza pericolo e fare attenzione a proteggere i piedi.
- ◆ Fare uso di cunei per agevolare il controllo dell'abbattimento ed evitare che la catena e la barra di guida si blocchino nel taglio.
- ◆ Mentre l'utensile è in funzione, tenere lontano dalla catena tutte le parti del corpo e i capi di vestiario. Prima di accendere la motosega, verificare che non sia a contatto con nulla. Non toccare né arrestare una motosega con le mani.
- ◆ Quando si trasporta la motosega, staccarla dall'alimentazione, collocare la barra di guida e la catena in posizione arretrata e installare la guaina di protezione della lama.
- ◆ Tenere pulita la motosega. Non lasciare che sporczia, olio o segatura si accumulino sulla motosega. In particolare, fare attenzione alle prese d'ingresso e uscita dell'aria che non devono ostruirsi. La motosega va pulita con un panno asciutto e senza adoperare solventi né prodotti di pulizia.



**Attenzione al contraccolpo.** Per contraccolpo s'intende lo spostamento in alto/indietro della barra di guida che può verificarsi quando la punta della catena entra improvvisamente in contatto con un oggetto. Quando il motore è in moto, tenere la motosega saldamente con entrambe le mani. Per una presa sicura, stringere le impugnature tra le dita e i pollici e guardare attentamente quando si esegue il taglio.

Il contraccolpo può essere causato da:

- ◆ Contatto accidentale contro rami o altri oggetti colpiti dalla punta della sega in moto.
- ◆ Contatto con metallo, cemento o altri materiali duri che si trovano in prossimità del legno o al suo interno.
- ◆ Catena smussata o lenta.
- ◆ Taglio eseguito oltre l'altezza delle spalle.
- ◆ Disattenzione mentre si mantiene o guida la sega durante il taglio.
- ◆ Ci si sporge eccessivamente. Mantenersi sempre saldi sui piedi e bene equilibrati, evitando di sporgersi.
- ◆ Non tentare di inserire la sega in un taglio precedente, per evitare possibili contraccolpi. Fare ogni volta un taglio nuovo.
- ◆ Si suggerisce vivamente di non tentare di utilizzare la motosega mentre si è su un albero, una scala o qualsiasi altra superficie poco stabile. Qualora si decida comunque di adoperare la motosega, tenere presente che queste posizioni sono estremamente pericolose.
- ◆ Quando si recide un ramo che è sotto tensione, attenzione al ritorno elastico, per non restare colpiti quando viene a mancare la tensione.
- ◆ Evitare di tagliare:
  - ◆ Legname preparato.
  - ◆ Il suolo.
  - ◆ Recinzioni metalliche, chiodi ecc.



- ◆ Piccoli cespugli e giovani pertiche perché la catena della sega può incepparsi nel materiale sottile e schizzare verso l'operatore oppure fargli perdere l'equilibrio.
- ◆ Non utilizzare la motosega sostenendola oltre l'altezza della spalla.
- ◆ Assicurarsi che nelle vicinanze (ma a distanza di sicurezza) sia sempre disponibile qualcuno che possa intervenire in caso di incidente.
- ◆ Se, per qualsiasi motivo, è necessario toccare la catena, accertare che la motosega non sia connessa all'alimentazione elettrica.
- ◆ La rumorosità della motosega può superare 85 dB(A). Si suggerisce, quindi, di adottare le misure del caso per proteggere l'udito.

### Simboli di avvertenza sulla motosega



Leggere con attenzione il presente manuale.



Non adoperare la motosega in condizioni di umidità né esporla all'azione della pioggia.



Indossare sempre occhiali di sicurezza e otoprotettori.



Estrarre sempre la spina dalla presa prima d'ispezionare un cavo danneggiato. Attenzione a non adoperare la motosega se il cavo è danneggiato.



A garanzia costante della sicurezza, controllare ogni 10 minuti d'uso la tensione della catena, in base alle istruzioni riportate nel presente manuale e, in caso di necessità, riportare il gioco su 3 mm.

### Doppio isolamento



La motosega è munita di doppio isolamento. Ciò significa che tutte le parti metalliche esterne sono isolate elettricamente dall'alimentatore. L'isolamento avviene mediante una barriera isolante supplementare collocata tra gli elementi elettrici e quelli meccanici.

Il doppio isolamento significa maggiore sicurezza elettrica e rende superflua la messa a terra dell'utensile.

### Sicurezza elettrica

- ◆ Accertare che la motosega sia compatibile con l'alimentazione disponibile. La tensione è indicata sulla targhetta con i dati caratteristici.

### Dati tecnici

Lunghezza della barra	30 cm	35 cm	40 cm
Alimentazione (V)	230	230	230
Potenza nominale (W)	1300/1400/ 1600	1400/ 1600	1400/ 1600
Lunghezza di taglio max. (cm)	30	35	40
Velocità della catena (senza carico, m/s)	8	8	8
Peso (kg)	3.7	3.8	3.9
Capacità serbatoio dell'olio (ml)	180	180	180
Classe di sicurezza	II	II	II

### L'INSIEME (fig. A)

1. Interruttore acceso/spento
2. Pulsante di sblocco
3. Tappo dell'olio
4. Indicatore di livello dell'olio
5. Arresto catena / protezione anteriore
6. Coperchio della catena
7. Bullone sul coperchio della catena
8. Barra di guida
9. Catena
10. Guaina della catena
11. Chiave

### MONTAGGIO



Prima di montarlo assicuratevi che l'utensile sia spento e desinserito.

### Lubrificazione della catena (fig. A)

- ◆ Procedere con la lubrificazione ogni volta che si adopera una catena nuova per la prima volta. Estrarre la nuova catena dal suo involucro di plastica e, prima di utilizzarla, immergerla in bagno d'olio per almeno un'ora.

Utilizzare solo olio per catene Black & Decker (cat. n. A6027).

- ◆ Si suggerisce di adoperare sempre lo stesso tipo di olio per l'intera durata di servizio della motosega in quanto miscele di oli diversi possono compromettere la qualità del lubrificante e ridurre così notevolmente la durata della catena.
- ◆ Non usare mai olio di scarto, olio denso o olio molto fluido per macchine da cucire che possono danneggiare la motosega.

## Installazione della barra di guida e della catena (fig. B, C & D)



Indossare guanti di protezione.

- ◆ Collocare la sega su una superficie stabile.
- ◆ Allentare ed estrarre il bullone dal coperchio della catena (7) (fig. C).
- ◆ Asportare il coperchio della catena (6).
- ◆ Collocare la catena (9) sopra la barra di guida (8), verificando che i taglienti sulla faccia della barra di guida siano rivolti verso il lato anteriore (fig. B).
- ◆ Guidare la catena attorno alla barra di guida e tirarla per creare un cappio sull'estremità posteriore della barra.
- ◆ Collocare sulla sega catena e barra di guida. Dirigere la catena attorno al rocchetto dentato di trasmissione (12). Collocare la barra di guida sopra i perni (13). Accertare che la spina del dado scorrevole (16) si inserisca nel foro di tensionamento (17).
- ◆ Collocare sulla sega il coperchio della catena (6).
- ◆ Installare il bullone sul coperchio della catena (7) e serrarlo con le sole dita.
- ◆ Girare la vite (14) (fig. D) in senso orario finché la catena non è tesa. Verificare che la catena sia ben serrata attorno alla barra di guida. Non serrare eccessivamente.
- ◆ Stringere il bullone sul coperchio della catena usando la chiave a settore fornita.

## Controllo e regolazione della tensione della catena (fig. D)

Prima dell'uso e quindi ogni 10 minuti di funzionamento, è necessario controllare la tensione della catena.

- ◆ Esercitare una lieve trazione sulla catena, come mostrato. La tensione è corretta quando la catena ritorna in posizione dopo essere stata tirata a 3 mm dalla barra di guida. Sul lato inferiore tra la barra di guida e la catena non devono esservi cedimenti.

Nota: non tendere eccessivamente la catena per evitare un'usura eccessiva e ridurre così la durata della barra e della catena stessa.

Nota: quando la catena è nuova, controllarne spesso la tensione (dopo avere staccato l'alimentazione) durante le prime due ore d'uso, in quanto le catene nuove cedono leggermente.

Per aumentare la tensione:

- ◆ Girare la vite (14) in senso orario.

## IMPIEGO



Lasciate che l'utensile lavori al proprio ritmo. Non sovraccaricarlo.

## Rabbocco dell'olio nel serbatoio (fig. E)


- ◆ Togliere il tappo dal serbatoio dell'olio (3) e rabboccare con l'olio per catene suggerito. Il livello dell'olio può essere controllato tramite la fessura di livello (4). Reinstallare il tappo del serbatoio dell'olio.
- ◆ Spegnerne periodicamente e controllare l'olio mediante l'indicatore: se il livello scende al di sotto di un quarto del pieno, staccare la motosega dall'alimentazione e rabboccare con l'olio corretto.

## Freno della catena con arresto automatico (fig. F e G)

Questo utensile è munito di freno della catena ad arresto automatico che blocca la catena entro 150 ms ogni volta che si lascia andare il grilletto posteriore, oppure in caso di contraccolpo. Il funzionamento del freno deve essere controllato prima di ogni uso.

## Regolazione del freno della catena

- ◆ Verificare che l'utensile sia staccato dall'alimentazione principale.

- ◆ Impostare la protezione (5) in posizione arretrata , ovvero per l'uso.

Ora l'utensile è pronto per essere adoperato.

### Funzionamento del freno anticontraccolpo della catena

In caso di contraccolpo, la mano sinistra dell'operatore tocca la protezione anteriore, tirandola indietro e arrestando così l'utensile entro 150 ms.

### Funzionamento del freno a inerzia della catena

Il freno della catena entra in azione quando la protezione anteriore viene spinta in avanti sia manualmente, dal dorso della mano dell'operatore, sia dal suo proprio peso. Il vantaggio del freno a inerzia è che esso s'innesta in caso di forte contraccolpo, ad esempio quando la catena colpisce un metallo, anche se la mano dell'utente non tocca la protezione anteriore, ovvero quando la sega è in posizione di taglio.

### Prova del freno anticontraccolpo della catena

- ◆ Afferrare saldamente l'utensile con entrambe le mani su una superficie solida; accertare che la catena sia lontana dal suolo e accenderla (vedere "Accensione dell'utensile").
- ◆ Ruotare in avanti la mano sinistra attorno all'impugnatura anteriore, in modo che il dorso della mano tocchi la protezione anteriore, spingendola indietro (fig. G). A questo punto la catena deve bloccarsi in poche frazioni di secondo.

Ripristino dopo l'innesto del freno della catena

- ◆ Seguire le istruzioni per regolare il freno della catena.

Note:

- ◆ Non è possibile accendere l'utensile se la protezione anteriore non è in posizione.
- ◆ Evitare di riaccendere l'utensile fino a che il motore non si è fermato del tutto.
- ◆ Se la catena non si blocca immediatamente, significa che è necessario regolame la tensione (vedere Installazione della barra di guida e della catena).

### Accensione dell'utensile (fig. A)

- ◆ Afferrare la motosega saldamente con entrambe le mani. Spingere in avanti il pulsante di sblocco (2) e premere l'interruttore on/off (1).
- ◆ Quando il motore parte, alzare il pollice dal pulsante di blocco e afferrare saldamente l'impugnatura.

Non forzare l'utensile, lasciare che esegua il lavoro: funzionerà meglio e con maggiore sicurezza se usato alla potenza nominale originale. Una forza eccessiva sollecita troppo la catena. In caso d'inzeppamento della catena o della barra della motosega:

- ◆ Spegnerne l'utensile.
- ◆ Staccare l'utensile dall'alimentazione elettrica.
- ◆ Aprire il taglio usando dei cunei, per allentare la tensione sulla barra di guida. Non tentare di liberare la sega facendo uso di una chiave. Iniziare un nuovo taglio.

### Abbattimento (fig. H - J)

- ◆ Mettere a punto un programma di sicurezza che consenta di allontanarsi dai rami o dall'albero che stanno per essere abbattuti.
- ◆ Tagliare un terzo del diametro dell'albero (fig. H). Poi eseguire un taglio dall'alto in basso, per praticare una tacca con un angolo di circa 45°: in questo modo si eviterà che la sega s'inzeppi.
- ◆ Praticare un singolo taglio sul lato opposto, fermandosi prima di arrivare alla tacca (fig. I).
- ◆ Inserire uno o più cunei nel taglio per allargarlo e abbattere l'albero (fig. J).

### Taglio di ceppi (fig. K - M)

La procedura di taglio dipende dal sostegno che regge il ceppo. Quando possibile, fare uso di un cavalletto. Il taglio va iniziato sempre con la catena in funzione e il paraurti dentato (15) a contatto con il legno (fig. K). Per completare il taglio ricorrere all'azione rotante del paraurti dentato contro il legno.

### Ceppi sostenuti per l'intera lunghezza

- ◆ Praticare un taglio verso il basso, evitando di toccare il suolo per non smussare la lama.

## Ceppi sostenuti alle estremità

- ◆ In primo luogo tagliare un terzo di diametro in basso, per evitare scheggiature, e poi tagliare di nuovo fino a raggiungere il primo intaglio.

## Ceppi sostenuti a un'estremità

- ◆ In primo luogo tagliare un terzo di diametro in alto e poi tagliare in basso per evitare scheggiature.

## In pendio (fig. L)

- ◆ Restare sempre sul lato alto del pendio.

## Uso di un cavalletto (fig. M)

Si suggerisce vivamente di adoperare un cavalletto quando possibile.

- ◆ Collocare il ceppo in posizione stabile. Tagliare sempre all'esterno dei bracci del cavalletto.

## MANUTENZIONE (fig. N)

La manutenzione regolare garantisce la durata dell'utensile e le sue prestazioni. Si suggerisce di eseguire regolarmente i controlli seguenti.

### Livello dell'olio

Il livello dell'olio nel serbatoio non deve scendere oltre un quarto del pieno. Rabboccare se è troppo basso.

## Catena e barra di guida

- ◆ Dopo qualche ora di uso, smontare la catena e la barra di guida e pulire a fondo.
- ◆ Durante il montaggio, ruotare di 180° la barra di guida e lubrificare la punta dell'ingranaggio tramite l'apposito foro (18). In questo modo il processo di usura avviene uniformemente lungo i binari della barra di guida.

## Affilatura della catena

Per ottenere prestazioni ottimali, è importante mantenere affilati i denti della catena della motosega. Le istruzioni su come eseguire questa procedura sono riportate sulla confezione dell'affilatoio.

A questo scopo si suggerisce di acquistare un kit di affilatura catene Black & Decker (disponibile presso i concessionari selezionati e i centri di assistenza autorizzati Black & Decker).

## Sostituzione delle catene consumate

Le catene di ricambio sono disponibili presso i dettaglianti o i centri di assistenza Black & Decker. Utilizzare esclusivamente pezzi di ricambio originali.

## Filo della catena

Le lame si smussano immediatamente se, durante il taglio, toccano il suolo o un chiodo.

## Tensione della catena

- ◆ Controllare regolarmente la tensione della catena.

## RISOLUZIONE DI PROBLEMI

Se l'utensile non funziona correttamente, controllare quanto segue:

Avaria	Causa possibile	Azione
L'utensile non si mette in moto.	Fusibile bruciato. Dispositivo di corrente residua inceppato. Alimentazione principale non connessa.	Sostituire il fusibile. Controllare il dispositivo di corrente residua. Controllare l'alimentatore.
L'utensile non si mette in funzione, il pulsante di bloccaggio è inceppato.	Protezione anteriore in posizione di arresto	Sbloccare la protezione anteriore.
La catena non si blocca immediatamente dopo lo spegnimento dell'utensile	La catena non è abbastanza tesa.	Controllare la tensione della catena.
La barra / catena si surriscaldano / emettono fumo.	Serbatoio dell'olio vuoto. La catena è troppo tesa. Lubrificare la punta dell'ingranaggio della barra di guida.	Controllare il livello dell'olio nel serbatoio. Controllare la tensione della catena.

### Riparazione della motosega

La motosega è conforme alle norme di sicurezza pertinenti. Le riparazioni devono essere affidate esclusivamente a personale qualificato ed eseguite solo con pezzi di ricambio originali, per evitare di esporre gli utenti a considerevoli rischi. Si suggerisce di conservare il presente manuale in un luogo sicuro.

### ACCESSORI

N. cat.	Descrizione
A6154	Catena da 300 mm / 12"
A6155	Catena da 350 mm / 14"
A6156	Catena da 400 mm / 16"
A6039	Kit di affilatura
A6027	Olio per catene da 0,5 l

### PROTEZIONE DELL'AMBIENTE



Black & Decker offre ai suoi clienti la possibilità di riciclare i prodotti Black & Decker che hanno esaurito la loro vita di servizio. Il servizio viene offerto gratuitamente. Per utilizzarlo, è sufficiente restituire il prodotto a qualsiasi tecnico autorizzato, incaricato della raccolta per conto dell'azienda.

Per individuare il tecnico autorizzato più vicino, rivolgersi alla sede Black & Decker locale, presso il recapito indicato nel presente manuale.

Altrimenti un elenco completo di tutti i tecnici autorizzati Black & Decker e i dettagli completi sui contatti e i servizi post-vendita sono disponibili su Internet presso: **www.2helpU.com**.

### Garanzia

Certa della qualità dei suoi prodotti, Black & Decker offre una garanzia eccezionale. Il presente certificato di garanzia è complementare ai diritti statuari e non li pregiudica in alcun modo. La garanzia è valida entro il territorio degli Stati membri dell'Unione Europea e dell'EFTA (European Free Trade Area).

Se un prodotto Black & Decker risulta difettoso per qualità del materiale, della costruzione o per mancata conformità entro 24 mesi dalla data di acquisto, Black & Decker garantisce la sostituzione delle parti difettose, provvede alla riparazione dei prodotti se ragionevolmente usurati oppure alla loro sostituzione, in modo da ridurre al minimo il disagio del cliente a meno che:

- ◆ Il prodotto non sia stato destinato ad usi commerciali, professionali o al noleggio;
- ◆ Il prodotto non sia stato usato in modo improprio o scorretto;
- ◆ Il prodotto non abbia subito danni causati da oggetti o sostanze estranee oppure incidenti;
- ◆ Il prodotto non abbia subito tentativi di riparazione non effettuati da tecnici autorizzati né dall'assistenza Black & Decker.

Per attivare la garanzia è necessario esibire la prova comprovante l'acquisto al venditore o al tecnico autorizzato. Per individuare il tecnico autorizzato più vicino, rivolgersi alla sede Black & Decker locale, presso il recapito indicato nel presente manuale. Altrimenti un elenco completo di tutti i tecnici autorizzati Black & Decker e i dettagli completi sui contatti e i servizi post-vendita sono disponibili su Internet presso: **www.2helpU.com**.

### DICHIARAZIONE CE DI CONFORMITÀ



GK1330/GK1430/GK1435/GK1440/  
GK1630/1635/GK1640

Black & Decker dichiara che questi utensili sono stati costruiti in conformità a:  
98/37/CEE, 89/336/CEE, 73/23/CEE,  
EN 50144, EN 55014  
2000/14/CEE, motosega ≤ 1600 W, Annex V

Livello di rumorosità, dati ricavati in base alla norma 2000/14/CEE:

$L_{pA}$	(rumorosità)	dB(A)	88
$L_{WA}$	(potenza sonora)	dB(A)	101
$L_{WA}$	(garantito)	dB(A)	103

# ITALIANO



Prendere appropriate misure a protezione dell'udito qualora il livello acustico superasse gli 85 dB(A).

Il valore medio quadratico ponderato dell'accelerazione secondo EN 50144:

3,5 m/s<sup>2</sup>

**TÜV Rheinland**

Cert. No.

BM981084801

Kevin Hewitt

Direttore di Ricerca e Sviluppo  
Spennymoor, County Durham DL16 6JG,  
United Kingdom

# KETTINGZAAG

## Ken uw kettingzaag



**Waarschuwing!** Bij het gebruik van elektrische machines dienen ter bescherming tegen brandgevaar, elektrische schokken en persoonlijk letsel altijd gepaste veiligheidsmaatregelen in acht te worden genomen.



Lees deze gebruiksaanwijzing aandachtig door en volg alle aanbevolen veiligheidsinstructies op, voor, tijdens en na het gebruik van uw kettingzaag. Houd uw kettingzaag in goede conditie. Zorg dat u bekend bent met de schakelaars en bediening van uw kettingzaag, voordat u deze gaat gebruiken, maar zorg vooral dat u weet hoe u de machine in een noodsituatie moet uitschakelen. Bewaar deze gebruiksaanwijzing en alle andere meegeleverde documentatie, zodat u deze later kunt raadplegen.

## VEILIGHEIDSVOORSCHRIFTEN

- ◆ Ken uw kettingzaag. Lees deze gebruiksaanwijzing aandachtig door en zorg dat u bekend bent met uw kettingzaag, met name voor het zagen van rond hout. We raden u aan als u voor de eerste keer boomstammen zaagt, dit op een zaagbok te doen.
- ◆ Gebruik de zaag niet in een gevaarlijke omgeving. Houd de werkomgeving schoon en ruim rommel op. Zorg dat de werkomgeving goed is verlicht. Gebruik indien mogelijk altijd een zaagbok of een montageframe.



Zaag geen nat hout en gebruik de kettingzaag niet in de regen.

- ◆ Zorg dat er niemand in de buurt is terwijl u de kettingzaag gebruikt. Laat geen kinderen, andere mensen of dieren in de buurt van de kettingzaag komen, terwijl u deze gebruikt.
- ◆ Onderhoud uw kettingzaag als u deze niet gebruikt.

Berg de kettingzaag niet op zonder dat u eerst de ketting en het zwaard uit de zaag hebt verwijderd en ondergedompeld in olie hebt bewaard. Bewaar alle onderdelen van uw kettingzaag op een droge, veilige plaats, buiten bereik van kinderen. Laat het oliereservoir leeglopen voordat u de kettingzaag opbergt.

- ◆ Forceer uw kettingzaag niet. De zaag werkt beter en veiliger indien u deze op de daarvoor bedoelde snelheid gebruikt.



Beschermende kleding. Draag nauwsluitende en beschermende kleding, inclusief een veiligheidshelm met een veiligheidsbril, oorbeschermers, veiligheidsschoenen, een werkbrok met borststuk en stevige leren handschoenen.

- ◆ Misbruik de kabel niet. Draag een kettingzaag nooit aan de kabel en trek nooit aan de kabel om de stekker uit het stopcontact te halen. Houd de kabel uit de buurt van warmtebronnen, olie of scherpe randen. Controleer de kabel regelmatig op beschadiging.
- ◆ Zet uw werk met klemmen of klampen vast. Bedien de kettingzaag met beide handen.



Haal de stekker uit het stopcontact voordat u van werklocatie verandert, of wanneer u accessoires zoals de ketting moet afstellen, slijpen, reinigen of vervangen, of moet controleren of de kabel in de knoop zit of is beschadigd.

- ◆ Sleutels. Controleer altijd of de sleutels van de kettingzaag zijn verwijderd voordat u begint.
- ◆ Gebruik alleen verlengsnoer HO7RN-F 2 x 1mm<sup>2</sup>. Dit is een minimumvereiste.
- ◆ Blijf oplettend. Gebruik nooit een kettingzaag als u moe bent.
- ◆ Controleer de machine op beschadigde onderdelen. Controleer voordat u gaat werken met de kettingzaag zorgvuldig of een beschermkap of ander onderdeel dat is beschadigd, naar behoren werkt.

Controleer of bewegende onderdelen zijn uitgelijnd, of ze niet vast zitten, of onderdelen onbeschadigd zijn en of ze wel goed zijn gemonteerd, en op andere omstandigheden die de werking van de kettingzaag kunnen beïnvloeden. Een beschermkap of ander onderdeel dat is beschadigd, moet door een erkend servicecentrum naar behoren worden gerepareerd of vervangen. Gebruik de kettingzaag niet als de aan/uit-schakelaar niet werkt.



**Waarschuwing!** Wanneer u andere accessoires of hulpstukken gebruikt dan de accessoires of hulpstukken die in deze gebruiksaanwijzing worden aanbevolen, kan dit tot persoonlijk letsel leiden.

- ◆ Houd bij alle zaagwerkzaamheden de zaag altijd stevig met beide handen vast, met de duimen en de vingers rond de zaaghandgrepen. Laat uw grip niet verslappen voordat uw kettingzaag stilstaat.
- ◆ Zorg dat u stevig staat en zoek van tevoren naar een veilige uitweg voor vallende bomen of takken.
- ◆ Maak gebruik van wiggen om controle te houden over het kapproces en om te voorkomen dat de ketting en het zwaard in de zaagsnede vast komen te zitten.
- ◆ Houd alle lichaamsdelen en kleding uit de buurt van de ketting terwijl de kettingzaag is ingeschakeld. Zorg voordat u de kettingzaag inschakelt dat deze niets aanraakt. Raak een bewegende zaagketting niet met uw hand aan en probeer deze nooit met uw hand te stoppen.
- ◆ Draag uw kettingzaag voorzichtig, met het netsnoer los, met het zwaard en de ketting naar achteren en met de beschermhuls op de kettingzaag.
- ◆ Houd de kettingzaag schoon. Laat geen vuil, olie of zaagsel op de kettingzaag ophopen. Let met name op de luchtinlaat- en -uitlaatsleuven. Deze mogen niet verstopt raken. Reinig de kettingzaag met een droge doek, maar gebruik geen oplosmiddelen of reinigingsvloeistoffen.

- ◆ Onderhoud zaagketting. Houd de zaagketting scherp en zorg dat deze stevig tegen het zwaard ligt. Zorg dat de zaagketting en het zwaard schoon en goed geolied zijn.



Pas op voor terugslag. Terugslag is de open achterwaartse beweging die het zwaard maakt, als de neus van de ketting onverwachts een voorwerp raakt. Houd de kettingzaag stevig met beide handen vast wanneer de motor loopt. Houd met uw duimen en vingers de handgrepen rondom stevig vast en let goed op wat u zaagt.

Terugslag kan worden veroorzaakt door:

- ◆ Het per ongeluk raken van takken of andere voorwerpen met een punt van de zaag, terwijl de zaagketting in beweging is.
- ◆ Het raken van metaal, cement of andere harde materialen bij of in het hout.
- ◆ Een botte of losse ketting.
- ◆ Zagen boven schouderhoogte.
- ◆ Gebrek aan aandacht bij het vasthouden of leiden van de zaag tijdens het zagen.
- ◆ Te hoog reiken. Zorg altijd voor een juiste, stabiele houding en reik niet te hoog.
- ◆ Probeer de zaag niet in een eerdere zaagsnede te steken, want dit kan een terugslag veroorzaken. Maak iedere keer een nieuwe zaagsnede.
- ◆ Gebruik geen kettingzaag als u zich in een boom, op een ladder of op een ander onstabiel oppervlak bevindt. Wanneer u dit wel doet, bent u gewaarschuwd dat deze posities extreem gevaarlijk zijn.
- ◆ Wanneer u een tak zaagt die onder spanning staat, moet u er rekening mee houden dat deze kan terugspringen, zodat u dan niet wordt geraakt.
- ◆ Zaag niet:
  - ◆ In bewerkt timmerhout.
  - ◆ In de grond.
  - ◆ In gaasafsteringen, spijkers enzovoort.
  - ◆ In kort struikgewas of jong hout, want dun materiaal kan in de zaagketting vast komen te zitten en naar u toe zwiepen of u uit balans trekken.
- ◆ Gebruik de kettingzaag niet boven schouderhoogte.



- ◆ Zorg dat er iemand in de buurt is (maar op veilige afstand) in geval van een ongeluk.
- ◆ Zorg wanneer u de ketting om bepaalde redenen moet aanraken, dat de kettingzaag niet meer op de netspanning is aangesloten.
- ◆ Het lawaai van dit product kan hoger zijn dan 85 dB(A). Neem daarom geschikte maatregelen om uw gehoor te beschermen.

**Waarschuwingssymbolen op de kettingzaag**



Lees de volledige gebruiksaanwijzing aandachtig door.



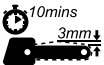
Gebruik de kettingzaag niet in een vochtige omgeving of in de regen.



Draag altijd oor- en oogbescherming.



Trek altijd de stekker uit het stopcontact voordat u een beschadigd snoer inspecteert. Gebruik de kettingzaag niet als de kabel is beschadigd.



Controleer om continu een veilige werking te garanderen, na elke 10 minuten de kettingspanning, zoals in deze gebruiksaanwijzing is beschreven, en pas de speling indien nodig weer aan naar 3 mm.

**Dubbele isolatie**



Deze kettingzaag is dubbel geïsoleerd. Dit betekent dat alle externe metalen onderdelen elektrisch geïsoleerd zijn van de voeding. Hiervoor is een extra isolatiebarrière tussen de elektrische en mechanische onderdelen geplaatst. Dubbele isolatie betekent een grotere elektrische veiligheid, en maakt aarding van de machine overbodig.

**Elektrische veiligheid**

- ◆ Controleer of de kettingzaag geschikt is voor de netspanning. De spanning vindt u op het typeplaatje.

**Technische gegevens**

Zwaardlengte	30 cm	35 cm	40 cm
Netspanning (V)	230	230	230
Nominaal ingangsvermogen (W)	1300/1400/1600	1400/1600	1400/1600
Maximale lengte zaagsnede (cm)	30	35	40
Kettingsnelheid (onbelast, m/s)	8	8	8
Gewicht (kg)	3.7	3.8	3.9
Olie-inhoud (ml)	180	180	180
Veiligheidsklasse	II	II	II

**OVERZICHT (fig. A)**

1. Aan/uit-schakelaar
2. Ontgrendelingsknop
3. Oliedop
4. Oliepeilaanwijzer
5. Beschermkap / kettingrem
6. Kettingbeschermer
7. Bout van kettingbeschermer
8. Zwaard
9. Ketting
10. Kettinghoes
11. Steeksleutel

**MONTAGE**



Zorg vóór aanvang van de montage dat de machine is uitgeschakeld en de netstekker van het lichtnet is losgekoppeld.

**De ketting oliën (fig. A)**

- ◆ U moet de ketting oliën als u een nieuwe ketting voor de eerste keer gebruikt. Haal de nieuwe ketting uit de plastic zak en week deze minimaal één uur in kettingolie voordat u deze gebruikt. Gebruik Black & Decker kettingolie (cat. nr. A6027).
- ◆ Gebruik voor dezelfde kettingzaag altijd één merk olie, omdat een mengsel van verschillende soorten olie tot olie van een slechtere kwaliteit kan leiden, waardoor de levensduur van de zaagketting aanzienlijk wordt verkort.
- ◆ Gebruik nooit afvalolie, dikke olie of zeer dunne naaimachineolie. Hierdoor kan uw kettingzaag worden beschadigd.

## Aanbrengen van het zwaard en de ketting (fig. B, C & D)



Draag beschermende handschoenen.

- ◆ Plaats de zaag op een stabiele ondergrond.
- ◆ Draai de bout (7) van de kettingbeschermer los en verwijder hem (fig. C).
- ◆ Verwijder de kettingbeschermer (6).
- ◆ Plaats de ketting (9) over het zwaard (8), waarbij u zorgt dat de zaagtanden aan de bovenkant van het zwaard naar voren staan (fig. B).
- ◆ Breng de ketting aan rondom het zwaard en trek hem aan zodat er een lus aan de achterkant van het zwaard ontstaat.
- ◆ Plaats de ketting met het zwaard op de zaag. Breng de ketting aan rondom het getande aandrijfkettingwiel (12). Plaats het zwaard op de noppen (13). Zorg ervoor dat de schuifpen (16) van de knop goed in het spanningsgat (17) zit.
- ◆ Plaats de kettingbeschermer (6) op de zaag.
- ◆ Breng de bout (7) van de kettingbeschermer aan en draai hem handvast.
- ◆ Draai de schroef (14) (fig. D) rechtsonder tot de ketting strak staat. Controleer of de ketting netjes rondom het zwaard zit. Trek hem niet al te strak aan.
- ◆ Zet de bout van de kettingbeschermer vast met de meegeleverde steeksleutel.

## Controleren van de kettingspanning en aanpassing ervan (fig. D)

Voor gebruik, en na iedere 10 minuten gebruik, dient u de kettingspanning te controleren.

- ◆ Trek licht aan de ketting zoals afgebeeld. De spanning is juist als de ketting terugspringt als u hem 3 mm van het zwaard af heeft getrokken. Tussen het zwaard en de ketting aan de onderzijde mag de ketting niet "doorzakken".

Opmerking: span de ketting niet te veel, want dit kan leiden tot extra slijtage, waardoor het zwaard en de ketting minder lang mee gaan.

Opmerking: wanneer de ketting nieuw is, moet u de spanning tijdens de eerste 2 gebruiksuren regelmatig (na ontkoppeling van de netspanning) controleren, aangezien een nieuwe ketting enigszins rekt.

Om de spanning te verhogen:

- ◆ Draai de schroef (14) rechtsonder.

## ■ GEBRUIK



Laat de machine op eigen tempo werken. Niet overbelasten.


## Olie in het reservoir bijvullen (fig. E)

- ◆ Verwijder de oliedop (3) en vul het reservoir met de aanbevolen kettingolie. U ziet het oliepeil in de indicatiesleuf (4). Plaats de oliedop weer terug.
- ◆ Schakel de zaag regelmatig uit en controleer de olie in de indicator. Haal wanneer deze minder dan een kwart vol is de stekker van de kettingzaag uit het stopcontact en vul het reservoir bij met de juiste olie.

## Automatische kettingrem (fig. F en G)

Deze machine is uitgerust met een automatische kettingrem, die elke keer als u de achterste trekker loslaat of in geval van een terugslag de ketting binnen 150 ms stopt. Test deze rem voor elk gebruik.

## De kettingrem instellen

- ◆ Zorg dat de machine niet op de netspanning is aangesloten.
- ◆ Trek de beschermkap (5) naar achteren naar de instelpositie .

Nu is de machine klaar voor gebruik.

## Werking van de kettingrem tegen terugslag

Bij een terugslag komt uw linkerhand in aanraking met de beschermkap en drukt deze naar achteren. De machine stopt binnen 150 ms.

## Werking van de vertragingskettingrem

De kettingrem wordt geactiveerd wanneer de beschermkap naar voren wordt gedrukt, handmatig, met de achterkant van uw hand, of door zijn eigen gewicht.

Het voordeel van de vertragsrem is dat deze door een zware terugslag wordt geactiveerd, bijvoorbeeld wanneer de ketting metaal raakt, zelfs als uw hand de beschermkap niet raakt, bijvoorbeeld wanneer de zaag in de kappositie staat.

### De antiterugslagkettingrem testen

- ◆ Pak de machine stevig met beide handen vast terwijl u op een stevige ondergrond staat – houd de ketting ver van de grond en schakel de zaag in (zie: “De kettingzaag inschakelen”).
- ◆ Draai uw linkerhand naar voren rond de voorste hendel, zodat de achterzijde van uw hand in aanraking komt met de beschermkap en deze naar achteren drukt (fig. G). De ketting zou nu binnen enkele fracties van een seconde moeten stoppen.

Opnieuw instellen na activering van de kettingrem

- ◆ Volg de instructies voor instelling van de kettingrem.

Opmerkingen:

- ◆ U kunt de zaag niet inschakelen wanneer de beschermkap niet in de instelpositie staat.
- ◆ Start de zaag pas opnieuw als de motor volledig tot rust is gekomen.
- ◆ Wanneer de ketting niet direct tot rust komt, geeft dit aan dat de ketting moet worden gespannen (zie: “Het zwaard en de ketting bevestigen”).

### De kettingzaag inschakelen (fig. A)

- ◆ Grijp uw kettingzaag stevig met beide handen vast. Druk de ontgrendelingsknop (2) naar voren en druk vervolgens op de aan/uit-schakelaar (1) om te starten.
- ◆ Haal wanneer de motor start uw duim van de vergrendelingsknop en grijp de handgreep stevig vast.

Forceer de machine niet – laat de zaag zelf het werk doen. De zaag werkt beter en veiliger op de snelheid waarvoor deze is ontworpen. Door te veel kracht kan de ketting uitrekken.

Wanneer de zaagketting of het zwaard vast komt te zitten:

- ◆ Schakel de zaag uit.
- ◆ Ontkoppel de machine van de netspanning.

- ◆ Open de snede met wiggen om de spanning van het zwaard te halen. Probeer de zaag niet los te wrikken. Begin met een nieuwe zaagsnede.

### Kappen (fig. H - J)

- ◆ Plan van tevoren een veilige uitweg, uit de buurt van vallende bomen of takken.
- ◆ Zaag door eenderde van de diameter van de boom (fig. H). Zaag dan van boven omlaag, zodat een inkeping van ongeveer 45° ontstaat. Zo voorkomt u dat de zaag vastgeklemd raakt.
- ◆ Maak één zaagsnede aan de andere zijde, maar stop voordat u door de inkeping zaagt (fig. I).
- ◆ Steek een wig of wiggen in de zaagsnede om deze te openen en de boom te laten vallen (fig. J).

### Blokken hakken (fig. K - M)

De manier van zagen is afhankelijk van de manier van ondersteuning van het blok. Maak indien mogelijk gebruik van een zaagbok. Begin een zaagsnede altijd terwijl de ketting draait en de gekartelde stootrand (15) het hout raakt (fig. K). Draai om de snede te voltooiën de gekartelde stootrand tegen het hout.

#### Bij ondersteuning over de volle lengte

- ◆ Maak een snede omlaag, maar zorg dat u de grond niet raakt, want hierdoor wordt uw zaag snel bot.

#### Bij ondersteuning aan beide uiteinden

- ◆ Zaag eerst tot eenderde om versplintering te voorkomen en zaag vervolgens nogmaals naar de eerste snede toe.

#### Bij ondersteuning aan één uiteinde

- ◆ Zaag eerst tot eenderde om versplintering te vermijden, en zaag vervolgens omlaag om versplintering te voorkomen.

#### Zagen op een helling (fig. L)

- ◆ Ga altijd heuvelopwaarts van het werk staan.

#### Bij gebruik van een zaagbok (fig. M)

Een zaagbok wordt indien mogelijk altijd aanbevolen.

- ◆ Plaats het blok in een stabiele positie.  
Zaag altijd aan de buitenkant van de armen van de zaagbok.

## ONDERHOUD (fig. N)

Wanneer u de zaag regelmatig onderhoudt, kunt u deze lang gebruiken. Controleer regelmatig de volgende zaken.

### Oliepeil

Het peil in het reservoir mag niet onder een kwart komen. Vul bij indien laag.

### Ketting en zwaard

- ◆ Verwijder steeds na enkele uren gebruik de ketting en het zwaard, en reinig deze grondig.
- ◆ Wanneer u de onderdelen weer monteert, moet het zwaard 180° worden gedraaid en moet de neus van het aandrijfkettingwiel via het tandwielsmeergat (18) worden gesmeerd. Hierdoor wordt de slijtage gelijkmatig over de zwaardrails verdeeld.

### Zaagketting slijpen

Wanneer u zo goed mogelijke prestaties van de machine wilt krijgen, moet u de tanden van de zaagketting scherp houden. Richtlijnen voor deze procedure vindt u op de verpakking van de slijper. Wij raden u aan de Black & Decker kettingslijpset te kopen (verkrijgbaar bij servicecentra van Black & Decker en geselecteerde dealers).

## STORINGEN VERHELPEN

Controleer wanneer de zaag niet goed werkt het volgende:

Storing	Mogelijke oorzaak	Maatregel
Machine start niet.	Gesprongen zekering. RCD uitgeschakeld. Netsnoer niet aangesloten.	Vervang de zekering. Controleer de RCD. Controleer de netspanning.
Machine start niet – ontgrendelingsknop schuift niet.	Beschermkap in de rempositie.	Verplaats de beschermkap.
Ketting stopt niet direct wanneer de machine wordt uitgeschakeld.	Kettingspanning te slap.	Controleer de kettingspanning.
Zwaard/ketting zijn heet of roken.	Oliereservoir leeg. Kettingspanning te strak. Neus van aandrijfkettingwiel zwaard moet worden gesmeerd.	Controleer het oliepeil. Controleer de kettingspanning.

### Een versleten ketting vervangen

Reservekettingen zijn verkrijgbaar bij verkopers of Black & Decker servicecentra. Gebruik alleen reserveonderdelen van Black & Decker.

### Scherpte zaagketting

De messen worden direct bot als ze tijdens het zagen de grond of een spijker raken.

### Spanning zaagketting

- ◆ Controleer regelmatig de kettingspanning.

### Wat te doen wanneer uw kettingzaag moet worden gerepareerd

Uw kettingzaag voldoet aan de relevante veiligheidsvereisten. Reparaties mogen uitsluitend worden uitgevoerd door bevoegde vakmensen en met behulp van originele reserveonderdelen; anders kan er een aanzienlijk gevaar voor de gebruiker ontstaan. Bewaar deze gebruiksaanwijzing op een veilige plaats.

## ACCESSOIRES

Cat. nr.	Beschrijving
A6154	300 mm / 12" ketting
A6155	350 mm / 14" ketting
A6156	400 mm / 16" ketting
A6039	Slijpset
A6027	0,5 l kettingolie

**MILIEU**



Black & Decker biedt de mogelijkheid tot recyclen van afgedankte Black & Decker producten. Deze service is kosteloos. Om gebruik van deze service te maken, dient u het product aan een van onze servicecentra te sturen, die voor ons de inzameling verzorgen.

U kunt het adres van het dichtstbijzijnde servicecentrum opvragen via de adressen op de achterzijde van deze handleiding. U kunt ook een lijst van onze servicecentra en meer informatie m.b.t. onze klantenservice vinden op het volgende Internet-adres: **www.2helpU.com**.

**Garantie**

Black & Decker heeft vertrouwen in zijn producten en biedt een uitstekende garantie.

Deze garantiebepalingen vormen een aanvulling op uw wettelijke rechten en beperken deze niet. De garantie geldt in de lidstaten van de Europese Unie en de Europese Vrijhandelsassociatie.

Mocht uw Black & Decker product binnen 24 maanden na datum van aankoop defect raken tengevolge van materiaal- of constructiefouten, dan garanderen wij de kosteloze vervanging van defecte onderdelen, de reparatie van het product of de vervanging van het product, tenzij:

- ◆ Het product is gebruikt voor handelsdoeleinden, professionele toepassingen of verhuurdoeleinden;
- ◆ Het product onoordeelkundig is gebruikt;
- ◆ Het product is beschadigd door invloeden van buitenaf of door een ongeval;
- ◆ Reparaties zijn uitgevoerd door anderen dan onze servicecentra of Black & Decker personeel.

Om een beroep op de garantie te doen, dient u een aankoopbewijs te overhandigen aan de verkoper of een van onze servicecentra. U kunt het adres van het dichtstbijzijnde servicecentrum opvragen via de adressen op de achterzijde van deze handleiding. U kunt ook een lijst van onze servicecentra en meer informatie m.b.t. onze klantenservice vinden op het volgende Internet-adres: **www.2helpU.com**.

**EG-VERKLARING VAN OVEREENSTEMMING**



GK1330/GK1430/GK1435/GK1440/  
GK1630/1635/GK1640  
Black & Decker verklaart dat deze elektrische machines in overeenstemming zijn met:  
98/37/EEG, 89/336/EEG, 73/23/EEG,  
EN 50144, EN 55014  
2000/14/EEG, kettingzaag ≤ 1600 W,  
Annex V

Niveau van de geluidsdruk, gemeten volgens 2000/14/EEG:

$L_{pA}$ (geluidsdruk)	dB(A)	88
$L_{WA}$ (geluidsvermogen)	dB(A)	101
$L_{WA}$ (gegarandeerd)	dB(A)	103



Neem de vereiste maatregelen voor gehoorbescherming wanneer de geluidsdruk het niveau van 85 dB(A) overschrijdt.

Gewogen kwadratische gemiddelde waarde van de versnelling overeenkomstig EN 50144:

3,5 m/s <sup>2</sup>
----------------------

**TÜV Rheinland**

Cert. No.
BM981084801

Kevin Hewitt  
Director of Consumer Engineering  
Spennymoor, County Durham DL16 6JG,  
United Kingdom

## MOTOSIERRA

### Conozca su motosierra



**¡Atención!** Cuando use herramientas eléctricas, debe seguir siempre las precauciones de seguridad básicas, incluidas las siguientes, a fin de reducir el riesgo de incendios, electrocución y lesiones personales.



Lea atentamente este manual del usuario, siguiendo todas las instrucciones de seguridad recomendadas, antes, durante y después de utilizar su motosierra. Mantenga la motosierra en perfectas condiciones de trabajo. Familiarícese con los mandos de la motosierra antes de intentar utilizarla, pero, sobre todo, asegúrese de que sabe parar la herramienta en caso de emergencia. Conserve este manual y el resto de la información suministrada para consultas posteriores.

### INSTRUCCIONES DE SEGURIDAD

- ◆ Conozca su motosierra. Le rogamos que lea atentamente este manual y que se familiarice con la motosierra, especialmente en relación con el serrado de maderas redondas. Recomendamos encarecidamente que los usuarios principiantes practiquen serrando troncos en un caballete o en una cama de serrar.
- ◆ Evite entornos peligrosos. Mantenga limpia y ordenada la zona de trabajo. Procure que el área de trabajo esté bien iluminada. Recomendamos encarecidamente la utilización de un caballete de serrar o de una cama de serrar en los casos en que sea posible.



No sierre la madera mojada o utilice la motosierra cuando esté lloviendo.

- ◆ Mantenga alejada a la gente mientras esté utilizando la motosierra. No permita que los niños, otras personas o animales permanezcan cerca de la motosierra mientras la esté utilizando.

- ◆ Mantenga la motosierra cuando no la utilice. Cuando guarde la motosierra para no utilizarla durante un cierto tiempo, desmonte primero la cadena de la sierra y la barra guía que habrán de conservarse sumergidas en aceite. Guarde todas las piezas de la motosierra en un lugar seco y seguro, fuera del alcance de los niños. Le recomendamos purgar el depósito de aceite antes de guardar la herramienta.
- ◆ No fuerce la motosierra. La herramienta funcionará mejor y con mayor seguridad al ser utilizada de acuerdo con sus características técnicas.



**Ropa de protección** Use ropa muy ajustada y de protección, incluyendo casco de seguridad con visor/gafas, protectores de oídos, calzado de seguridad, petos protectores y guantes de cuero resistentes.

- ◆ No maltrate el cable. No arrastre nunca la motosierra tirando del cable, ni tire del cable para desenchufar la clavija del enchufe de corriente. Proteja el cable del calor, del aceite y de las aristas vivas. Compruebe frecuentemente el cable para ver si está deteriorado.
- ◆ Para sujetar la pieza de trabajo utilice abrazaderas o cuñas. Utilice siempre ambas manos cuando trabaje con la motosierra.



Desenchufe la clavija de la corriente antes de cambiar el lugar de trabajo, de ajustar, afilar o limpiar, y antes de cambiar cualquier accesorio, como por ejemplo la cadena, o si el cable se ha enredado o está deteriorado.

- ◆ Llaves de ajuste. Acostúmbrese a comprobar que se han retirado de la motosierra las llaves de ajuste antes de comenzar a utilizarla.
- ◆ Use únicamente cable de prolongación tipo HO7RN-F 2 x 1mm<sup>2</sup>, como mínimo solamente.
- ◆ Esté siempre alerta. Nunca utilice la motosierra si está cansado.
- ◆ Compruebe que no haya piezas averiadas.

Antes de usar la motosierra, compruebe cuidadosamente si alguna protección o cualquiera otra pieza estuvieran defectuosas y no pudieran funcionar adecuadamente ni realizar su función prevista. Compruebe si las 'piezas móviles están bien alineadas, atascadas o rotas y cualquier otra condición que pudiera afectar al funcionamiento de la herramienta. Si hubiera alguna protección o pieza que estuvieran dañadas, deberán repararse adecuadamente o sustituirse por parte de un técnico de servicio autorizado. No utilice la motosierra si no es posible apagar y encender el interruptor.



**¡Atención!** El uso de accesorios o acoplamientos distintos de los recomendados en este manual del usuario pueden suponer riesgo de daños personales.

- ◆ En todos los tipos de corte, sujete siempre la sierra con ambas manos firmemente, rodeando con los dedos los mangos de la sierra. No suelte el mango hasta que la motosierra esté totalmente parada.
- ◆ Asegúrese de tener los pies firmemente asentados y prepare un plan de salida segura para la caída de árboles o ramas.
- ◆ Use cuñas para ayudar a controlar la tala y evitar que la cadena y la barra guía queden bloqueadas en la madera.
- ◆ Mantenga su cuerpo y su ropa alejados de la cadena mientras la motosierra esté funcionando. Antes de encender la motosierra, asegúrese de que no hace contacto con nada. No intente, o trate de parar con las manos la cadena de sierra en movimiento.
- ◆ Transporte con cuidado la motosierra con la corriente desconectada y con la barra guía y la cadena de sierra hacia atrás y con la funda de la cuchilla puesta.
- ◆ Mantenga limpia la motosierra. No deje que se acumule en la motosierra la suciedad, el aceite o el polvo de serrar. Preste atención especial para que no se taponen la entrada de aire y las ranuras de salida. Limpie la motosierra con un paño suave pero no utilice disolventes u otros líquidos limpiadores.

- ◆ Mantenimiento de la cadena de sierra. Mantenga la cadena de sierra afilada y correctamente ajustada sobre la barra guía. Asegúrese de que la cadena de sierra y la barra guía estén limpias y bien lubricadas.



Atención al retroceso. El retroceso es el movimiento hacia arriba/atrás de la barra guía que puede producirse cuando la punta de la cadena entra en contacto con un objeto. Sujete firmemente con ambas manos la motosierra cuando el motor esté en marcha. Agarre firmemente el mango rodeándolo con los dedos y no aparte la vista de lo que está cortando.

El retroceso puede ser debido a:

- ◆ Golpear accidentalmente ramas u otros objetos con la punta de la sierra mientras la cadena de sierra está en movimiento.
- ◆ Golpear metales, cemento u otros materiales duros que estén cerca de la madera o enterrados en la misma.
- ◆ Cadena floja o suelta
- ◆ Corte por encima de la altura del hombro.
- ◆ Falta de atención al sujetar o guiar la sierra mientras se está cortando.
- ◆ Alargamiento excesivo del radio de acción. Mantenga en todo momento un apoyo firme sobre el suelo y el equilibrio y no alargue excesivamente el radio de acción.
- ◆ No intente insertar dentro de un corte previo ya que se podría producir retroceso. Realice un nuevo corte cada vez.
- ◆ Le recomendamos encarecidamente que no trate de usar la motosierra mientras esté subido en un árbol, en una escalera o en cualquier otra superficie inestable. Si decidiera hacerlo, queda advertido que estas posiciones son extremadamente peligrosas.
- ◆ Cuando corte una rama que esté en tensión, esté atento a la fuerza de retroceso para no ser golpeado cuando se libere la tensión.
- ◆ Evite cortar:
  - ◆ Madera preparada.
  - ◆ Dentro del suelo.
  - ◆ Alambradas, clavos, etc.

- ◆ Matorrales de poco tamaño y árboles jóvenes ya que el material más ligero puede atrapar la cadena de sierra y golpearle en forma de látigo o desequilibrarle.
- ◆ No use la motosierra a una altura por encima del hombro.
- ◆ Asegúrese de tener a alguien cerca (pero a la distancia de seguridad) en caso de accidente.
- ◆ Si por alguna razón tiene que tocar la cadena, asegúrese de que la motosierra esté desconectada de la corriente.
- ◆ El ruido de este producto puede superar 85 dB(A). Le recomendamos, por tanto, que tome las medidas adecuadas para proteger sus oídos.

## Símbolos de advertencia de la motosierra.



Lea con atención todo el contenido de este manual.



No utilice la motosierra en condiciones de humedad y no la exponga a la lluvia.



Use siempre la protección de oídos y ojos.



Antes de revisar un cable dañado, retire siempre la clavija del enchufe de corriente. Tenga cuidado de no utilizar la motosierra si el cable está estropeado.



Para asegurar un funcionamiento continuado seguro, compruebe la tensión de la cadena cada diez minutos tal como se explica en este manual y vuélvala a ajustar a la tolerancia requerida de 3 mm.

## Doble aislamiento



La motosierra lleva doble aislamiento. Esto quiere decir que todas las piezas metálicas exteriores están aisladas eléctricamente de la fuente de alimentación. Esto se consigue colocando una barrera extra de aislamiento entre las piezas eléctricas y las mecánicas.

El doble aislamiento significa una mayor seguridad eléctrica y evita tener que poner a tierra la máquina.

## Seguridad eléctrica

- ◆ Asegúrese de que la motosierra tiene la tensión correcta para la red eléctrica. El valor de tensión se puede encontrar en la placa de características.

## Características técnicas

Longitud de la barra	30 cm	35 cm	40 cm
Tensión de alimentación (V)	230	230	230
Potencia absorbida (W)	1300/1400/1600	1400/1600	1400/1600
Máxima longitud de corte (cm)	30	35	40
Velocidad de cadena (sin carga m/s)	8	8	8
Peso (kg)	3.7	3.8	3.9
Capacidad de aceite (ml)	180	180	180
Clase de seguridad	II	II	II

## VISTA GENERAL (fig. A)

1. Conmutador ON/OFF (encendido/apagado)
2. Botón de desbloqueo
3. Tapón del aceite
4. Indicador del nivel de aceite
5. Protector delantero/freno de la sierra
6. Tapa de la cadena
7. Perno de la tapa de la cadena
8. Barra guía
9. Cadena
10. Funda de la sierra
11. Llave

## MONTAJE



Antes de proceder al montaje, compruebe que la herramienta está apagada y desenchufada.

## Lubricación de la cadena (fig. A)

- ◆ Deberá hacerlo cada vez que utilice una nueva cadena por primera vez. Saque la cadena nueva de su bolsa de plástico y empápela con aceite para cadenas durante, al menos, una hora antes de utilizarla.



Use únicamente aceite para cadenas Black & Decker (cat. no. A6027).

- ◆ Le recomendamos utilizar una sola marca de aceite durante la vida útil de la motosierra puesto que las mezclas de aceites diferentes pueden llegar a degradar el aceite lo que puede acortar, drásticamente, la duración de la cadena de sierra.
- ◆ No utilice nunca aceite usado, aceite pesado o aceite muy ligero de máquinas de coser. Estos aceites pueden estropear la motosierra.

### Colocación de la barra guía y la cadena (fig. B, C y D)



Lleve guantes protectores.

- ◆ Coloque la sierra sobre una superficie estable.
- ◆ Afloje y retire el perno de la tapa de la cadena (7) (fig. C).
- ◆ Quite la tapa de la cadena (6).
- ◆ Coloque la cadena (9) sobre la barra guía (8), asegurándose de que los dientes de la parte superior de la barra guía miran hacia el frente (fig. B).
- ◆ Guíe la cadena alrededor de la barra guía y tire de ella para crear un bucle en la parte posterior de la barra guía.
- ◆ Coloque la cadena y la barra guía en la sierra. Guíe la cadena alrededor de la rueda dentada motriz (12). Coloque la barra guía sobre los espárragos (13). Asegúrese de que la pinza de tuerca deslizante (16) quede situada en el orificio tensor (17).
- ◆ Coloque la tapa de la cadena (6) en la sierra.
- ◆ Instale el perno de la tapa de la cadena (7) y apriételo con los dedos.
- ◆ Gire el tornillo (14) (fig. D) en el sentido de las agujas del reloj hasta que la cadena esté apretada. Asegúrese de que la cadena está ajustada alrededor de la barra guía. No apriete en exceso.
- ◆ Apriete el perno de la tapa de la cadena con la llave que se suministra.

### Comprobación y ajuste de la tensión de la cadena (fig. D)

Antes de usar la herramienta y después de cada 10 minutos de uso, debe comprobar la tensión de la cadena.

- ◆ Tire suavemente de la cadena como se indica. La tensión es correcta cuando la cadena vuelve atrás después de separarla unos 3 mm. de la barra guía. No debe haber "comba" alguna entre la barra guía y la cadena en la parte inferior.

Nota: No tense demasiado la cadena ya que esto producirá un desgaste excesivo y se reducirá la duración de la barra y de la cadena.

Nota: Cuando la cadena sea nueva, compruebe la tensión frecuentemente (después de desconectar la máquina de la corriente) durante las 2 primeras horas de uso ya que una cadena nueva se alarga ligeramente.

Para aumentar la tensión:

- ◆ Gire el tornillo (14) en el sentido de las agujas del reloj.

### USO



Deje que la herramienta funcione a su ritmo. No la sobrecargue.

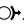
### Llenado del depósito de aceite (fig. E)

- ◆ Retire el tapón del aceite (3) y llene el depósito con aceite para cadenas recomendado. Podrá ver el nivel de aceite por la ranura del indicador (4). Vuelva a poner el tapón del aceite.
- ◆ Periódicamente, apague la máquina y compruebe el nivel de aceite en el indicador; si es inferior a un cuarto completo, desconecte la motosierra de la corriente y rellene el depósito con el aceite correcto.

### Freno automático de la sierra (fig. F y G)

Esta herramienta incorpora un freno automático de sierra que para la cadena en 150 ms cada vez que usted suelte el gatillo trasero o se produzca un retroceso. El funcionamiento del freno se debe comprobar cada vez que se vaya a utilizar la máquina.

## Cómo ajustar el freno de cadena

- ◆ Asegúrese de que la herramienta está desconectada de la alimentación de corriente.
- ◆ Lleve hacia atrás el protector delantero (5) hasta la posición "set" (ajuste) .

La herramienta está ahora lista para su uso.

## Cómo funciona el freno de cadena de anti-retroceso.

En caso de retroceso, su mano izquierda entra en contacto con el protector delantero, empujándolo hacia atrás y haciendo que la herramienta se pare en 150 ms.

## Cómo funciona el freno de cadena activado por inercia.

El freno de cadena se activa cuando se empuja hacia adelante el protector manual delantero, bien de forma manual con el dorso de la mano del usuario o por su propio peso. La ventaja del freno de inercia estriba en que se activa cuando se produce un retroceso importante, por ejemplo, cuando la cadena golpea metal, incluso si la mano del usuario no toca el protector delantero, es decir, cuando la sierra está en posición de talar.

## Cómo probar el freno de cadena de anti-retroceso.

- ◆ Agarre firmemente la herramienta con ambas manos sobre una superficie firme – asegúrese de que la cadena está alejada del suelo y encienda la máquina (consulte "Cómo encender la motosierra").
- ◆ Gire la mano izquierda hacia adelante alrededor del mango delantero de forma tal que el dorso de la mano haga contacto con el protector delantero empujándolo hacia atrás (fig. G). Ahora la sierra debería detenerse en unas pocas fracciones de segundo.

Reajustar después del funcionamiento del freno de cadena

- ◆ Siga las instrucciones de ajuste del freno de cadena.

Notas:

- ◆ No será posible encender la herramienta si el protector delantero no está en posición "set".

- ◆ No arranque de nuevo la herramienta hasta que no haya oído que el motor se ha detenido por completo.
- ◆ Si la cadena no se para inmediatamente, esto puede indicar que es necesario ajustar su tensión (consulte "Colocación de la barra guía y de la cadena").

## Cómo encender la herramienta (fig. A)

- ◆ Agarre firmemente la motosierra con ambas manos. Empuje el botón de desbloqueo (2) hacia adelante y pulse el interruptor de on/off (1) (encendido/apagado) para arrancar.
- ◆ Cuando arranque el motor, retire el pulgar del botón del bloqueo y agarre el mango firmemente.

No fuerce la herramienta – deje que funcione a su ritmo. Realizará un trabajo mejor y más seguro a la velocidad a la que fue diseñada. Una fuerza excesiva estirará la cadena.

Si la cadena o la barra se atascan:

- ◆ Apague la herramienta.
- ◆ Desenchufe la herramienta de la alimentación de corriente.
- ◆ Abra el corte con cuñas para aliviar la tensión en la barra guía. No intente soltar la sierra con un tirón. Inicie un nuevo corte.

## Tala (fig. H - J)

- ◆ Tenga preparado un plan de salida segura para la caída de árboles o ramas.
- ◆ Realice un corte de un tercio del diámetro del árbol (fig. H). Seguidamente, desde arriba haga un corte angular de 45° aproximadamente. De esta forma evitará que se pellizque la sierra.
- ◆ Realice un corte único de tala desde el otro lado, deteniéndose antes de cortar en el corte angular (fig. I).
- ◆ Introduzca una o más cuñas en este corte de tala para abrirlo y dejar caer el árbol (fig. J).

## Corta forestal (fig. K - M)

Cómo deberá cortar dependerá de la forma en que se sujete el tronco. Use un caballete de aserrar siempre que sea posible. Empiece siempre el corte con la sierra funcionando y el amortiguador de púas (15) en contacto con la madera (fig. K).

Para completar el corte, use la acción pivotante del amortiguador de púas contra la madera.

**Cuando se apoya en toda su longitud**

- ◆ Haga un corte hacia abajo, evitando cortar la tierra para no mellar rápidamente la sierra.

**Cuando se apoya en ambos extremos**

- ◆ Primero corte un tercio hacia abajo para evitar que se astille y seguidamente corte de nuevo siguiendo el primer corte.

**Cuando se apoya en un extremo**

- ◆ Primero, corte un tercio hacia arriba para evitar que se astille y seguidamente corte hacia abajo para evitar el mismo problema.

**Cuando se está en pendiente (fig. L)**

- ◆ Colóquese siempre cuesta arriba.

**Cuando se usa caballete de aserrar (fig. M)**

Siempre que sea posible, se recomienda encarecidamente su utilización.

- ◆ Coloque el tronco en posición estable. Corte siempre sobre el exterior de los brazos del caballete de aserrar.

**MANTENIMIENTO (fig. N)**

El mantenimiento regular asegura una larga vida efectiva de la herramienta. Le recomendamos que realice los chequeos siguientes de forma periódica:

**LOCALIZACIÓN DE AVERÍAS**

Si la herramienta no funciona correctamente, compruebe lo siguiente:

Avería	Causa posible	Acción
La herramienta no se pone en marcha.	Fusible fundido. RCD desconectado Cable de corriente no conectado.	Cambie el fusible. Compruebe RCD. Compruebe la alimentación de corriente.
La herramienta no arranca – el botón de bloqueo no se desliza.	Protector delantero en posición de freno.	Reposicione el protector delantero.
La cadena no se para instantáneamente cuando se apaga la herramienta.	Está demasiado floja la tensión de la cadena.	Compruebe la tensión de la cadena.
La barra/cadena parecen calientes/humeantes.	Depósito de aceite vacío. La cadena está demasiado apretada. La punta o resalto de la rueda dentada de la barra guía necesita aceite.	Compruebe el nivel de aceite. Compruebe la tensión de la cadena.

**Nivel de aceite**

No se deberá dejar que el nivel del depósito caiga por debajo de un cuarto de su total. Si está bajo, rellenar.

**Cadena y barra guía**

- ◆ Cada pocas horas de uso, quite la cadena y la barra guía y límpielas a fondo.
- ◆ Cuando se monte de nuevo, la barra guía deberá girarse 180°, engrasándose la punta o resalto de la rueda dentada a través del orificio de lubricación de la rueda (18) Esto garantiza una distribución uniforme del desgaste alrededor de los railes de la barra guía.

**Afilado de la cadena de sierra**

Si quiere conseguir el mayor rendimiento posible de la herramienta, es importante mantener afilados los dientes de la cadena de sierra. Las instrucciones de este procedimiento se encuentran en el paquete del afilador. A tal fin, recomendamos comprar el kit de afilado de cadena de sierra de Black & Decker (disponible en los talleres de servicio y concesionarios seleccionados de Black & Decker).

**Cambio de las cadenas desgastadas**

Las tiendas de minoristas y talleres de servicio de Black & Decker disponen de cadenas de repuesto. Use siempre piezas originales.

## Afilado de la cadena de sierra

Las cuchillas o dientes se mellarán inmediatamente si tocan el suelo o golpean un clavo mientras se está cortando.

## Tensión de la cadena de sierra

- ◆ Compruebe periódicamente la tensión de la cadena.

## Qué hacer si la motosierra necesita reparación

La motosierra cumple los requisitos de seguridad correspondientes. Las reparaciones deben llevarse a cabo por personal cualificado, usando piezas de recambio originales; en caso contrario, podría ocasionarse un considerable peligro al usuario. Le recomendamos guardar este manual en sitio seguro.

## ACCESORIOS

Cat. no.	Descripción
A6154	cadena de 300 mm / 12"
A6155	cadena de 350 mm / 14"
A6156	cadena de 400 mm / 16"
A6039	Kit de afilado
A6027	0,5 l aceite para cadenas

## PROTECCIÓN DEL MEDIO AMBIENTE



Black & Decker proporciona facilidades para el reciclado de los productos Black & Decker que hayan llegado al final de su vida útil. Este servicio se proporciona de forma gratuita. Para poderlo utilizar, le rogamos entregue el producto en cualquier servicio técnico autorizado quien se hará cargo del mismo en nuestro nombre.

Pueden consultar la dirección de su servicio técnico más cercano poniéndose en contacto con la oficina local de Black & Decker en la dirección que se indica en este manual. Como alternativa, se puede consultar en Internet, en la dirección siguiente, la lista de servicios técnico autorizados e información completa de nuestros servicios de postventa y contactos: [www.2helpU.com](http://www.2helpU.com).

## Garantía

Black & Decker confía plenamente en la calidad de sus productos y ofrece una garantía extraordinaria. Esta declaración de garantía es una añadido, y en ningún caso un perjuicio para sus derechos estatutarios. La garantía es válida dentro de los territorios de los Estados Miembros de la Unión Europea y de los de la Zona Europea de Libre Comercio.

Si un producto Black & Decker resultará defectuoso debido a materiales o mano de obra defectuosos o a la falta de conformidad, Black & Decker garantiza, dentro de los 24 meses de la fecha de compra, la sustitución de las piezas defectuosas, la reparación de los productos sujetos a un desgaste y rotura razonables o la sustitución de tales productos para garantizar al cliente el mínimo de inconvenientes, a menos que:

- ◆ El producto haya sido utilizado con propósitos comerciales, profesionales o de alquiler;
- ◆ El producto haya sido sometido a un uso inadecuado o negligente;
- ◆ El producto haya sufrido daños causados por objetos o sustancias extrañas o accidentes;
- ◆ Se hayan realizado reparaciones por parte de personas que no sean los servicios de reparación autorizados o personal de servicios de Black & Decker;

Para reclamar en garantía, será necesario que presente la prueba de compra al vendedor o al servicio técnico de reparaciones autorizado. Pueden consultar la dirección de su servicio técnico más cercano poniéndose en contacto con la oficina local de Black & Decker en la dirección que se indica en este manual. Como alternativa, se puede consultar en Internet, en la dirección siguiente, la lista de servicios técnicos autorizados e información completa de nuestros servicios de postventa y contactos: [www.2helpU.com](http://www.2helpU.com).

**DECLARACIÓN CE DE CONFORMIDAD**



GK1330/GK1430/GK1435/GK1440/  
GK1630/1635/GK1640

Black & Decker certifica que estas  
herramientas eléctricas han sido  
construidas de acuerdo a las normas  
siguientes:

98/37/CEE, 89/336/CEE, 73/23/CEE,  
EN 50144, EN 55014  
2000/14/CEE, motosierra  $\leq 1600$  W,  
Annex V

El nivel de la presión acústica, medida de acuerdo  
con 2000/14/CEE:

$L_{pA}$ (presión acústica)	dB(A)	88
$L_{WA}$ (potencia acústica)	dB(A)	101
$L_{WA}$ (garantizado)	dB(A)	103



Tome medidas adecuadas para proteger  
sus oídos cuando la presión acústica  
exceda el valor de 85 dB(A).

Valor cuadrático medio ponderado en frecuencia  
de la aceleración según EN 50144:

3,5 m/s <sup>2</sup>
----------------------

**TÜV Rheinland**

Cert. No.
BM981084801

Kevin Hewitt  
Director de Ingeniería  
Spennymoor, County Durham DL16 6JG,  
United Kingdom

## ELECTROSSERRA

### Conheça a sua electroserra



**Advertência!** Ao utilizar ferramentas eléctricas, é preciso seguir sempre as precauções básicas de segurança para diminuir os riscos de incêndio, choque eléctrico e ferimentos pessoais.



Leia atentamente este manual do utilizador, seguindo todas as instruções de segurança recomendadas antes, durante e depois da utilização da sua electroserra. Mantenha a electroserra em bom estado. Familiarize-se com os controlos da electroserra antes de a ligar, mas principalmente saiba como parar a ferramenta num caso de emergência. Guarde este manual e toda a informação fornecida para futura consulta.

### INSTRUÇÕES DE SEGURANÇA

- ◆ Conheça a sua electroserra. Leia atentamente este manual e familiarize-se com a electroserra, em especial no que diz respeito a serrar madeira redonda. Recomendamos que os utilizadores principiantes iniciem a prática serrando lenha num cavalete ou andaime.
- ◆ Evite ambientes perigosos. Mantenha a sua área de trabalho limpa e remova resíduos. Mantenha a área de trabalho bem iluminada. Recomendamos a utilização de um cavalete ou andaime sempre que possível.




Não serre madeira húmida nem utilize a electroserra quando está a chover.

- ◆ Enquanto utiliza a electroserra não deixe que ninguém se aproxime. Não deixe que crianças, outras pessoas ou animais se aproximem da electroserra enquanto a está a utilizar.
- ◆ Mantenha sempre a electroserra em boas condições mesmo quando não a estiver a utilizar.

Não armazene a electroserra, mesmo sem saber por quanto tempo, sem antes remover a correia e a barra de direcção que deverão ficar mergulhadas em óleo. Armazene todas as peças da electroserra num local seco, seguro e fora do alcance das crianças.

Recomendamos que drene o depósito do óleo antes de armazenar.

- ◆ Não force a electroserra. A ferramenta trabalhará melhor e de uma maneira mais segura se for utilizada para o efeito indicado.
- 
- Vestuário de protecção. Use vestuário de protecção e rente ao corpo incluindo um capacete com visor/óculos, auriculares de protecção, sapatos de protecção, calças com avental de protecção e luvas de cabedal.
- ◆ Não force o cabo. Nunca pegue na electroserra pelo cabo ou puxe para o desligar da tomada. Proteja o cabo contra o calor e evite o contacto com óleo e objectos cortantes. Verifique se o cabo está danificado.
  - ◆ Fixe a peça de trabalho com grampos e calços. Utilize sempre as duas mãos quando trabalhar com a sua electroserra.



Remova a ficha da tomada antes de mudar de local de trabalho, ajustar, afiar ou limpar, mudar qualquer acessório como a correia ou se o cabo ficar entalado ou danificado.

- ◆ Chaves de aperto. Nunca se esqueça de verificar se as chaves de aperto foram removidas da electroserra antes de a ligar.
- ◆ Utilize um cabo de extensão do tipo HO7RN-F 2 x 1mm<sup>2</sup>, apenas como mínimo.
- ◆ Esteja atento. Nunca trabalhe com a electroserra quando estiver cansado.
- ◆ Verifique se existem peças danificadas. Antes de voltar a utilizar, verifique cuidadosamente a protecção ou outra peça danificada para determinar se a ferramenta irá funcionar correctamente ou não.

Verifique se as peças móveis estão alinhadas, se estão dobradas, partidas, ou se as condições de montagem ou outras afectam o seu funcionamento. Caso uma protecção ou outra peça esteja danificada, esta deve ser reparada ou substituída por um agente autorizado. Não utilize a ferramenta se o interruptor não estiver a funcionar para ligar ou desligar.



**Advertência!** O uso de qualquer acessório ou da própria ferramenta, além do que é recomendado neste manual de instruções pode dar origem a risco de ferimento.

- ◆ Para todos os tipos de cortes, segure sempre com firmeza na electroserra com ambas as mãos, com os polegares e os dedos à volta dos punhos. Não solte o manípulo antes da correia parar.
- ◆ Tenha em atenção com os seus passos e disponibilize uma saída de segurança de uma queda de árvore ou troncos.
- ◆ Utilize calços para ajudar a controlar o derrubamento e para evitar o bloqueamento da barra de direcção e da correia na madeira.
- ◆ Mantenha todas as partes do seu corpo e vestuário afastados da correia aquando do funcionamento da ferramenta. Antes de ligar a ferramenta, certifique-se de que esta não está em contacto com nada. Não mexa ou tente parar uma correia em movimento com a mão.
- ◆ Manuseie cuidadosamente a electroserra com a ficha fora da tomada e com a barra de direcção e correia para trás e com o estojo da lâmina colocado.
- ◆ Mantenha a electroserra limpa. Não deixe acumular sujidade, óleo ou serradura ou poeiras na electroserra. Tenha especial atenção às ranhuras de entrada e saída de ar; estas devem estar obstruídas. Limpe a electroserra com um pano seco sem usar solventes nem líquidos de limpeza.
- ◆ Cuidados a ter com a correia. Mantenha a correia afiada e bem colocada na barra de direcção. Assegure-se de que a correia e a barra de direcção estão limpas e bem oleadas.



Tenha em atenção ao contra-golpe.

O contra-golpe é o movimento de avanço/retrocesso da barra de direcção que pode ocorrer quando a correia está em contacto com um objecto. Segure com firmeza na electroserra com ambas as mãos quando o motor estiver a funcionar. Segure firmemente o punho com os dedos e o poledar e preste atenção ao que está a cortar.

O contra-golpe pode ser causado por:

- ◆ Bater em troncos ou outros objectos acidentalmente com a ponta da serra enquanto a correia estiver em movimento.
- ◆ Bater em metal, cimento ou outro material duro perto da madeira, ou furar a madeira.
- ◆ Um correia solta.
- ◆ Corte acima da altura do ombro.
- ◆ Falta de atenção ao segurar ou orientar a serra durante o corte.
- ◆ Sobre-alcance. Mantenha sempre o equilíbrio.
- ◆ Não tente inserir a serra num corte anterior, pois pode causar um contra-golpe. Faça sempre um corte novo.
- ◆ Recomendamos que não tente trabalhar com a electroserra quando estiver em cima de uma árvore, escada ou superfície instável. Caso contrário, tenha em atenção que estas posições são extremamente perigosas.
- ◆ Ao cortar um tronco que esteja sob tensão, tenha em atenção pois pode fazer recochete quando a libertar.
- ◆ Evite cortar:
  - ◆ Madeira preparada.
  - ◆ O chão.
  - ◆ Arames, pregos, etc.
  - ◆ Em escovas de pequenas dimensões e casca de árvore uma vez que se tratam de materiais finos e delgados podem tocar na correia e saltar para si, ou fazer com que se desequilibre.
- ◆ Não utilize a ferramenta a uma altura superior à do seu ombro.
- ◆ Certifique-se de que está alguém por perto (mas a uma distância de segurança) no caso de um acidente.

- ◆ Se por qualquer razão tem de tocar na correia, desligue a lectroserra da tomada.
- ◆ O ruído produzido por este produto pode ultrapassar os 85 dB(A). Recomendamos que tome as devidas medidas para proteger os ouvidos.

## Símbolos de aviso na electroserra



Leia atentamente este manual.



Não use a electroserra em condições de humidade ou debaixo de chuva.



Use sempre auriculares de protecção e óculos de protecção.



Remova sempre a ficha da tomada antes de inspeccionar o cabo danificado. Tenha em atenção para não utilizar a electroserra caso o cabo esteja danificado.



Para assegurar um funcionamento seguro contínuo, verifique a tensão da correia tal como descrito neste manual após cada 10 minutos de utilização, a volte a ajustar 3 mm conforme necessário.

## Isolamento duplo



A electroserra está duplamente isolada. Isto significa que todas as peças metálicas externas estão electricamente isoladas da fonte de alimentação. Isto é possível através da colocação de uma barreira de isolamento extra entre as peças eléctricas e as mecânicas. O isolamento duplo significa maior segurança eléctrica e evita ter de efectuar uma ligação à terra.

## Segurança eléctrica

- ◆ Certifique-se de que a electroserra tem a capacidade adequada à sua rede de energia. A voltagem pode ser encontrada na placa de identificação.

## Dados técnicos

Comprimento da barra	30 cm	35 cm	40 cm
Voltagem (V)	230	230	230
Entrada da potência (W)	1300/1400/ 1600	1400/ 1600	1400/ 1600
Comprimento máximo de corte (cm)	30	35	40
Velocidade da correia (sem carga m/s)	8	8	8
Peso (kg)	3.7	3.8	3.9
Capacidade do óleo (ml)	180	180	180
Classe de segurança	II	II	II

## VISÃO GERAL (fig. A)

1. Interruptor
2. Botão de travamento
3. Tampão do óleo
4. Indicador do nível do óleo
5. Travamento do condutor frontal/correia
6. Protecção da correia
7. Parafuso de fixação da correia
8. Barra de direcção
9. Correia
10. Protecção da correia
11. Chave

## MONTAGEM



Antes da montagem, certifique-se de que a ferramenta está desligada da corrente eléctrica.

## Olear a correia (fig. A)

- ◆ Tem de efectuar este procedimento sempre que usar uma correia nova pela primeira vez. Tire a nova correia do saco plástico respectivo e mergulhe-a em óleo durante, pelo menos, uma hora antes de usá-la. Utilize óleo para correias Black & Decker (cat. nº A6027).
- ◆ Recomendamos que utilize apenas uma marca de óleo durante o tempo de vida útil da sua electroserra, uma vez que misturas de óleos diferentes podem causar a degradação do óleo, o que por seu turno reduz drasticamente o tempo de vida útil da correia da electroserra.
- ◆ Nunca utilize óleo usado, óleo pesado ou óleo de máquina de costura muito leve. Estes óleos podem danificar a sua electroserra.



**Colocação da barra de direcção e correia (fig. B, C & D)**



Use luvas de protecção.

- ◆ Coloque a serra numa superfície estável.
- ◆ Solte e remova o parafuso de fixação da correia (7) (fig. C).
- ◆ Remova a protecção da correia (6).
- ◆ Coloque a correia (9) por cima da barra de direcção (8), certificando-se de que as facas na parte superior da barra de direcção estão viradas para a frente (fig. B).
- ◆ Coloque a correia à volta da barra de direcção e empurre-a para criar um laço na parte de trás da barra de direcção.
- ◆ Coloque a correia e a barra de direcção na serra. Coloque a correia à volta da barra de direcção (12). Coloque a barra de direcção no fuso (13). Certifique-se de que a lingueta da porca deslizante (16) fica colocada no orifício de tensão (17).
- ◆ Coloque a protecção da correia (6) na serra.
- ◆ Coloque o parafuso de fixação da correia (7) e aperte-o correctamente.
- ◆ Rode o parafuso (14) (fig. D) para a direita até que a correia fique apertada. Certifique-se de que a correia está bem colocada à volta da barra de direcção. Não aperte demasiado.
- ◆ Aperte bem o parafuso de fixação da correia utilizando a chave fornecida.

**Verificação e ajuste da tensão da correia (fig. D)**

Antes de utilizar e 10 minutos após cada utilização, deve verificar a tensão da correia.

- ◆ Puxe ligeiramente a correia como mostrado. A tensão está correcta quando a correia faz pressão após ser puxada 3 mm da barra de direcção. Não deve ficar nenhuma “folga” entre a barra de direcção e a correia no lado inferior.

Nota: Não aplique tensão excessiva sobre a correia, pois isto pode resultar no desgaste redobrado, o que pode reduzir o tempo de vida útil da barra e da correia.

Nota: Quando a correia for nova, verifique frequentemente a tensão (após desligar a corrente) durante as primeiras 2 horas de utilização, quando esta estica ligeiramente.

Para aumentar a tensão:

- ◆ Rode o parafuso (14) para a direita.

**UTILIZAÇÃO**



Deixe que a ferramenta funcione à vontade. Não a sobrecarregue.


**Encher o depósito de óleo (fig. E)**

- ◆ Remova o tampão do óleo (3) e encha o depósito com o óleo recomendado para a correia. Pode ver o nível de óleo na ranhura do indicador (4). Volte a colocar o tampão do óleo.
- ◆ Periódicamente, desligue e verifique o indicador do óleo; se estiver menos de um quarto cheio, desligue a electrosserra da corrente e volte a encher o depósito com o óleo adequado.

**Travamento de correia de paragem automática (fig. F & G)**

Esta ferramenta é montada com um travamento de correia de paragem automática que faz a correia parar dentro de 150 ms sempre que solta o gatilho traseiro ou caso ocorra um contra-golpe. Este travão deve ser testado antes de cada utilização.

**Como ajustar o travamento da correia**

- ◆ Verifique se a ferramenta está desligada da corrente eléctrica.
- ◆ Puxe o resguardo frontal (5) para trás, para a posição ajustada “set” .

A ferramenta está pronta a ser utilizada.

**Como funciona o contra-golpe do travamento de correia**

Se, em caso de ocorrência de contra-golpe, a sua mão entrar em contacto com o resguardo frontal, puxe-o para trás e a ferramenta pára dentro de 150 ms.

## Como funciona a inércia activada pelo travamento de correia

O travamento de correia é activado quando o resguardo de mão frontal é puxado para a frente, quer manualmente com as costas da mão do utilizador ou pelo seu próprio peso. A vantagem do travão de inércia é que este é activado por um contra-golpe grave, p. ex. quando a correia bate em metal, mesmo que a mão do utilizador não entre em contacto com o resguardo frontal, isto é, quando a serra estiver na posição de derrubamento.

## Como testar o contra-golpe do travamento de correia

- ◆ Segure firmemente na ferramenta com ambas as mãos sobre uma superfície estável – assegure que a correia está fora do chão e ligue-a (veja “Como ligar a sua electrosserra”).
- ◆ Rode a sua mão esquerda para a frente à volta do punho frontal, de modo a que as costas da sua mão fiquem em contacto com o resguardo frontal e puxem-no para trás (fig. G). A correia deverá parar numa fracção de poucos segundos.

Para voltar a ajustar o travamento de correia após o seu funcionamento

- ◆ Siga as instruções para ajustar o travamento de correia.

## Notas:

- ◆ Não é possível ligar a ferramenta se o resguardo frontal não estiver na posição ajustada “set”.
- ◆ Evite voltar a ligar a ferramenta antes de ouvir o motor parar completamente.
- ◆ Se a correia não parar imediatamente, é sinal de que necessita de tensão (ver “Colocação da barra de direcção e correia”).

## Como ligar a ferramenta (fig. A)

- ◆ Segure firmemente na electrosserra com ambas as mãos. Mantenha o botão de destravamento (2) para a frente e prima o interruptor de ligar/desligar (1) para arrancar.
- ◆ Após o motor arrancar, remova o seu polegar do botão de bloqueio e segure no punho firmemente.

Não force a ferramenta – deixe-a trabalhar.

Ela fará um trabalho melhor e mais seguro à velocidade adequada. Força excessiva fará esticar a correia.

Se a correia ou a barra ficar presa:

- ◆ Desligue a ferramenta.
- ◆ Desligue a ferramenta da fonte de alimentação.
- ◆ Abra o corte com calços para aliviar a tensão da barra de direcção. Não tente libertar a serra com uma chave. Faça um corte novo.

## Derrubamento (fig. H - J)

- ◆ Planeie antecipadamente uma saída segura para as árvores derrubadas ou respectivos ramos.
- ◆ Corte um terço do diâmetro da árvore (fig. H). Faça um corte longitudinal de cerca de 45°. Desta forma evitará danificar a serra.
- ◆ Faça um único corte de derrubamento do outro lado mas pare antes de trespassar todo o corte (fig. I).
- ◆ Coloque um ou vários calços para abrir o corte de derrubamento e derrube a árvore (fig. J).

## Cortar lenha (fig. K – M)

Como cortar depende de como o tronco está apoiado. Utilize um cavalete sempre que possível. Inicie sempre um corte com a correia em funcionamento e o amortecedor afiado (15) em contacto com a madeira (fig. K). Para completar o corte utilize uma acção pivotante do amortecedor afiado contra a madeira.

### Quando apoiado ao longo de todo o comprimento

- ◆ Faça um corte longitudinal mas evite cortar o chão, pois a serra ficará gasta rapidamente.

### Quando apoiado nas duas extremidades

- ◆ Primeiro, corte um terço para evitar que a madeira rache e segundo, faça um novo corte que vá de encontro ao primeiro.

### Quando apoiado numa extremidade

- ◆ Primeiro, corte um terço para evitar que a madeira rache e segundo, faça um novo corte para evitar o mesmo.

### Quando está num declive (fig. L)

- ◆ Fique sempre no lado de cima.

### Quando usar um cavalete (fig. M)

É vivamente recomendado sempre que possível.

- ◆ Coloque o tronco numa posição estável.  
Corte sempre do lado de fora dos braços do cavalete.

### MANUTENÇÃO (fig. N)

Uma manutenção regular assegura à ferramenta um tempo de vida útil longo. Recomendamos que efectue as seguintes inspecções regularmente.

#### Nível do óleo

O nível do depósito não deve estar a menos de um quarto. Encha o depósito se estiver vazio.

#### Correia e barra de direcção

- ◆ Após poucas horas de funcionamento, remova a correia e a barra de direcção e limpe-as exaustivamente.
- ◆ Aquando da montagem, a barra de direcção deve ser rodada 180° e o bico da direcção lubrificado através do orifício de lubrificação da direcção (18). Isto assegura uma distribuição uniforme do desgaste à volta dos trilhos da barra de direcção.

#### Afiar a correia

Se pretende obter os melhores resultados desta ferramenta, é importante manter os dentes da correia da electrosserra afiados.

Pode encontrar orientação para este procedimento na embalagem do afiador. Para este propósito recomendamos a compra do kit de afiador da correia Black & Decker (disponível nos representantes de assistência da Black & Decker e distribuidores aprovados).

#### Substituir correias gastas

Estão disponíveis correias para substituição nos revendedores ou representantes da Black & Decker. Use sempre peças sobresselentes originais.

#### Correia afiada

As lâminas ficam imediatamente gastas se tocarem no chão ou num prego durante o corte.

#### Tensão da correia

- ◆ Verifique regularmente a tensão da correia.

#### O que fazer se a sua electrosserra necessitar de reparação

A sua electrosserra encontra-se em concordância com os exigências de segurança aplicáveis. As reparações devem ser realizadas somente por pessoas qualificadas e as peças de substituição devem ser originais. O não cumprimento desta norma poderá resultar em perigos consideráveis para o utilizador. Recomendamos que mantenha o manual do utilizador em local seguro.

### RESOLUÇÃO DE PROBLEMAS

A ferramenta não funciona correctamente.

Falha	Possível causa	Solução
A ferramenta não funciona.	Fusível queimado. Falha no dispositivo de corrente residual (RCD). A corrente não está ligada.	Substituir fusível. Verifique este dispositivo. Verifique a fonte de alimentação.
A ferramenta não arranca – o botão de travamento não desliza.	Resguardo frontal na posição de travamento.	Volte a colocar o resguardo frontal.
A correia não pára instantaneamente quando a ferramenta é desligada.	A tensão da correia está muito frouxa.	Verifique a tensão da correia.
A barra/correia parece quente/ a fumer.	Depósito de óleo está vazio. A tensão da correia está muito apertada. O bico da barra de direcção precisa de ser lubrificado.	Verifique o nível do depósito do óleo. Verifique a tensão da correia.

## ACESSÓRIOS

Cat. nº	Descrição
A6154	Correia de 300 mm / 12"
A6155	Correia de 350 mm / 14"
A6156	Correia de 400 mm / 16"
A6039	Kit de Afiador
A6027	Óleo para correia de 0,5 l

## PROTECÇÃO DO MEIO AMBIENTE



A Black & Decker oferece facilidades para a reciclagem dos seus produtos uma vez que os mesmos tenham alcançado o final de suas vidas úteis. Este serviço é fornecido sem encargos. Para utilizá-lo, devolva o seu produto a qualquer agente de reparação autorizado, que se encarregará de recolher o equipamento em nosso nome.

Para verificar a localização do agente de reparação mais próximo de si, contacte o escritório local da Black & Decker no endereço indicado neste manual. Se preferir, consulte a lista de agentes autorizados da Black & Decker e os dados completos dos nossos serviços de atendimento pós-venda na Internet no endereço:

[www.2helpU.com](http://www.2helpU.com).

## Garantia

A Black & Decker confia na qualidade de seus produtos e oferece um programa de garantia excelente. Esta declaração de garantia soma-se aos seus direitos legais e não os prejudica em nenhum aspecto. A garantia será válida nos territórios dos Estados Membros da União Europeia e na Área de Livre Comércio da Europa.

Caso algum produto da Black & Decker apresente avarias devido a defeitos de material, mão-de-obra ou ausência de conformidade no prazo de 24 meses a partir da data de compra, a Black & Decker garantirá a substituição das peças defeituosas, a reparação dos produtos que foram submetidos a uso adequado e remoção ou substituição dos mesmos para assegurar o mínimo de inconvenientes ao cliente a menos que:

- ◆ O produto tenha sido utilizado para fins comerciais, profissionais ou aluguer;
- ◆ O produto tenha sido submetido a uso incorrecto ou descuido;
- ◆ O produto tenha sofrido danos causados por objectos estranhos, substâncias ou acidentes;
- ◆ Tenha um histórico de reparações efectuadas por terceiros que não sejam os agentes autorizados ou profissionais de manutenção da Black & Decker.

Para activar a garantia, será necessário enviar a prova de compra ao revendedor ou agente de reparação autorizado. Para verificar a localização do agente de reparação mais próximo de si contacte o escritório local da Black & Decker no endereço indicado neste manual. Se preferir, consulte a lista de agentes autorizados da Black & Decker e os dados completos de nossos serviços de atendimento pós-venda na Internet no endereço: [www.2helpU.com](http://www.2helpU.com).

## DECLARAÇÃO DE CONFORMIDADE



GK1330/GK1430/GK1435/GK1440/  
GK1630/1635/GK1640

A Black & Decker declara que estas ferramentas foram concebidas em conformidade com:  
98/37/CEE, 89/336/CEE, 73/23/CEE,  
EN 50144, EN 55014  
2000/14/CEE, electrosserra ≤ 1600 W,  
Annex V

Nível de potência sonora, medido de acordo com a 2000/14/CEE:

$L_{pA}$	(pressão sonora)	dB(A)	88
$L_{WA}$	(potência sonora)	dB(A)	101
$L_{WA}$	(com garantia)	dB(A)	103



Use protectores auditivos quando a potência sonora ultrapassar 85 dB(A).

Valor médio quadrático ponderado em frequência  
de aceleração conforme a EN 50144:

---

---

3,5 m/s<sup>2</sup>

---

**TÜV Rheinland**

---

Cert. No.

BM981084801

---



Kevin Hewitt  
Engenheiro Responsável  
Spennymoor, County Durham DL16 6JG,  
United Kingdom

# KEDJESÅG

## Lär känna din kedjesåg



**Varning!** När man använder elverktyg är det viktigt att man vidtar elementära säkerhetsåtgärder för att minska risken för brand, elektriska stötar och personskador.



Läs bruksanvisningen noga och iaktta de föreslagna säkerhetsanvisningarna före, under och efter användning av kedjesågen. Håll alltid kedjesågen i funktionsdugligt skick. Lär känna kontroller och reglage på kedjesågen innan du börjar använda den, och se framför allt till att du säkert vet hur du stoppar den i nödfallslägen. Behåll den här bruksanvisningen och annat medföljande referensmaterial för framtida bruk.

## SÄKERHETSANVISNINGAR

- ♦ Lär känna kedjesågen. Kom ihåg att läsa den här bruksanvisningen och lär känna kedjesågen, i synnerhet vid sågning av runt virke. Vi rekommenderar eftertryckligen att förstagsångs användare övar sig med att såga stockar i sågbock eller i en ställning.
- ♦ Undvik farliga miljöer. Håll arbetsområdet rent och undvik ansamling av spill. Ha bra belysning över arbetsområdet. Vi rekommenderar med eftertryck att man alltid använder en sågbock eller en ställning när det går.



Såga aldrig i vått virke och undvik att använda kedjesågen när det regnar.

- ♦ Håll andra personer på avstånd medan kedjesågen är i bruk. Låt inte barn, andra personer eller husdjur komma i närheten av kedjesågen medan du använder den.
- ♦ Sköt om kedjesågen när den inte är i bruk. Lägg inte undan kedjesågen till förvaring utan att först ta bort kedjan och svärdet, som alltid bör vara väl inoljat. Förvara alla delar till kedjesågen på ett torrt och säkert ställe, utom räckhåll för barn. Vi tillråder att man tappar av oljan innan man lägger sågen i förvar.

- ♦ Använd aldrig extra kraft för att pressa sågen under arbete. Kedjesågen fullgör sina uppgifter både bättre och säkrare med det tryck och den hastighet som den är avsedd för.



Skyddskläder. Använd tätt sittande och skyddande kläder, inklusive skyddshjälm med visir/ skyddsglasögon, hörselskydd, skyddsskor, byxor med sågskydd och kraftiga skyddshandskar.

- ♦ Var försiktig med sladden. Bär aldrig kedjesågen med hjälp av sladden och ryck aldrig loss den från uttaget. Håll sladden undan från värmekällor, olja eller vassa kanter. Kontrollera alltid att sladden inte är skadad.
- ♦ Fäst arbetsstycket med skruvtvingar eller skruvstycke. Se alltid till att du använder båda händerna under arbete med din kedjesåg.



Dra alltid ut stickkontakten från elnätsuttaget innan du byter arbetsplats eller justerar, slipar, rengör eller byter ut något som t.ex. kedjan, eller när sladden har blivit skadad eller snott in sig.

- ♦ Justernycklar. Ta till vana att kontrollera att justernycklar o.d. har tagits bort från kedjesågen innan arbetet börjar.
- ♦ Använd endast förlängningssladd typ HO7RN-F 2 x 1mm<sup>2</sup>.
- ♦ Var uppmärksam. Använd aldrig kedjesågen när du är trött.
- ♦ Kontrollera skadade delar. Innan du använder kedjesågen, skall du noga kontrollera om skydd och ev. skadade delar fungerar riktigt och att det inte föreligger några andra fel som kan påverka verktygets funktion. Kontrollera att rörliga delar fungerar riktigt och kan utföra de avsedda funktionerna. Undersök också om delar har gått sönder, om de är korrekt monterade eller om något annat kan påverka verktyget. Ett skydd eller någon annan del som skadats bör repareras korrekt eller bytas ut på en auktoriserad verkstad. Använd inte kedjesågen om den inte kan sättas på och stängas av med strömbrytaren.



**Varning!** Att använda tillbehör och extrautrustning som inte rekommenderats i den här bruksanvisningen kan innebära risk för personskador.

- ◆ Håll alltid sågen stadigt med båda händerna vid alla typer av sågning, med tummar och fingrar i ett fast grepp runt såghandtaget. Behåll greppet om sågen tills kedjan har slutat gå.
- ◆ Se till att du står stadigt och förbered en flyktväg från fallande träd eller grenar.
- ◆ Använd kilar för att kontrollera fällningen och för att skydda svärdet och sågkedjan från att klämmas fast i arbetsstycket.
- ◆ Håll alla kroppsdelar och kläder borta från kedjan medan verktyget är i gång. Se till att kedjesågen inte vidrör någonting innan du startar den. Rör inte sågkedjan när den är i rörelse och försök aldrig att stoppa den med handen.
- ◆ Flytta alltid kedjesågen försiktigt med nätströmmen bortkopplad och med svärdet och kedjan vända bakåt och svärdskyddet monterat.
- ◆ Håll kedjesågen ren. Tag bort ev. smuts, olja eller sågspån från kedjesågen. Var särskilt uppmärksam på luftintaget eller utblåset som aldrig får bli igensatta. Rengör kedjesågen med en torr trasa men använd aldrig lösnings- eller rengöringsmedel.
- ◆ Skötsel av kedjan. Kedjan skall vara vass och korrekt spänd mot svärdet. Se till att kedjan och svärdet är rena och väl inoljade.



Kom ihåg risken för kast. Kast är svärdets stegrande rörelse uppåt/bakåt som kan inträffa när kedjan med spetsen stöter emot något föremål. Håll stadigt med båda händerna i kedjesågen när motorn är i gång. Använd ett fast grepp med tummar och alla fingrar och se upp med vad du sågar i.

Kast kan orsakas av:

- ◆ att man oavsiktligt råkar slå till grenar och andra föremål medan kedjan är i rörelse.
- ◆ att man råkar stöta emot föremål av metall, cement eller annat hårt material som kan finnas i virket.
- ◆ en slö eller lös kedja.
- ◆ att man sågar högre än axelhöjd.

- ◆ att man är dåligt uppmärksam medan man håller eller styr sågen under sågning.
- ◆ att man sträcker sig för långt. Se till att du alltid har säkert fotfäste och balans och inte sträcker dig för långt.
- ◆ Försök inte att såga i ett befintligt snitt – det kan orsaka kast. Börja alltid med ett nytt snitt.
- ◆ Vi rekommenderar att du inte använder kedjesågen när du befinner dig uppe i ett träd, på en stege eller på något annat ostadigt underlag. Om du ändå skulle använda sågen vid något av dessa tillfällen måste du vara medveten om att det är mycket farligt.
- ◆ När du sågar i en böjd och spänd gren, skall du vara beredd på att den kan fjädra upp och träffa dig när spändheten släpper.
- ◆ Undvik att såga i:
  - ◆ förbehandlat timmer.
  - ◆ i marken.
  - ◆ i taggträdsstaket, spik etc.
  - ◆ i små buskar och unga träd eftersom tunna grenar kan fastna i kedjan och slå tillbaka mot dig eller få dig att tappa balansen.
- ◆ Använd inte kedjesågen över axelhöjd.
- ◆ Se till att någon person finns i närheten (på säkert avstånd) i händelse av olycka.
- ◆ Om du av någon anledning måste röra vid kedjan, kontrollera då att kedjesågen är bortkopplad från elnätet.
- ◆ Detta verktyg kan nå en bullernivå över 85 dB(A). Vi rekommenderar dig alltså att vidta lämpliga åtgärder för att skydda hörseln.

### Varningssymboler på kedjesågen



Läs bruksanvisningen noggrant.



Använd inte kedjesågen under fuktiga förhållanden och utsätt den inte för regn.



Använd alltid skydd för öron och ögon.



Dra alltid ur stickkontakten innan du undersöker en skadad sladd. Använd aldrig kedjesågen om sladden skulle vara skadad.



För att vara garanterad säker funktion, skall du var 10:e minut kontrollera kedjesspänningen som det beskrivs här i bruksanvisningen, och återjustera till de erforderliga 3 mm:as glapp.

## Dubbelisolering



Kedjesågen är dubbelisolerad. Det innebär att alla yttre metalldelar är elektriskt isolerade från strömtillförseln. Detta har åstadkommit med en extra isolerande barriär mellan de elektriska och de mekaniska delarna. Dubbelisolering ökar elsäkerheten och ingen jordledare behövs.

## Elektrisk säkerhet

- ◆ Kontrollera alltid att spänningen på nätet överensstämmer med den spänning. Spänningen finns angiven på märkplåten.

## Tekniska data

Svärdlängd	30 cm.	35 cm.	40 cm.
Spänning (V)	230	230	230
Effekt (W)	1300/1400/1600	1400/1600	1400/1600
Max. såglängd (cm.)	30	35	40
Kedjehastighet (obelastad m/s.)	8	8	8
Vikt (kg.)	3.7	3.8	3.9
Oljekapacitet (ml.)	180	180	180
Skyddsklass	II	II	II

## ÖVERSIKT (fig. A)

1. Strömbrytare
2. Låsknapp
3. Oljelock
4. Indikator för oljenivå
5. Kastskydd och kedjebroms
6. Kedjeskydd
7. Kedjeskyddsbult
8. Svärd
9. Kedja
10. Svärdskydd
11. Nyckel

## MONTERING



Se till att verktyget är avstängt samt att det inte är anslutet innan monteringen börjar.

### Oljning av kedjan (fig. A)

- ◆ Det här skall alltid göras innan en ny kedja tas i bruk första gången. Ta ut den nya kedjan ur plastfodralet och dränk in den i kedjeolja i minst en timme innan den används. Använd endast Black & Decker kedjeolja (art. nr. A6027).
- ◆ Vi rekommenderar att du alltid använder samma sorts olja under kedjans hela livslängd, eftersom en blandning av oljor kan ge oljan försämrade egenskaper, vilket i sin tur kan förkorta kedjans livslängd avsevärt.
- ◆ Använd aldrig spillolja, tjockolja eller mycket tunn (symaskins-)olja. De kan skada kedjesågen.

### Montering av svärd och kedja (fig. B, C & D)



Använd skyddshandskar.

- ◆ Placera sågen på ett stadigt underlag.
- ◆ Lossa och ta bort kedjeskyddsbulten (7) (fig. C).
- ◆ Ta av kedjeskyddet (6).
- ◆ Placera kedjan (9) ovanpå svärdet (8), och se till att skären på svärdets ovansida är vända framåt (fig. B).
- ◆ För kedjan runt svärdet och dra åt den vid bakre änden av svärdet så att den ligger ordentligt på plats.
- ◆ Sätt fast kedjan och svärdet på sågen. Lägg kedjan runt drivhjulet (12). Sätt svärdet på fästet (13). Se till att glidmutterstiftet (16) kommer rätt i spännhålet (17).
- ◆ Sätt fast kedjeskyddet (6) på sågen.
- ◆ Sätt på kedjeskyddsbulten (7) och spänn den med fingrarna.
- ◆ Skruva skruven (14) (fig. D) medsols tills kedjan är spänd. Se till att kedjan ligger väl inpassad på svärdet. Dra inte åt alltför hårt.
- ◆ Fäst kedjeskyddsbulten ordentligt med den medföljande nyckeln.



### Kontroll och justering av kedjans spänning (fig. D)

Före användning och var 10 minut under användning skall du kontrollera att kedjan är spänd ordentligt.

- ◆ Dra lätt i kedjan som bilden visar. Vid korrekt spänning faller kedjan tillbaka om man drar ut den 3 mm och sedan släpper den. Kedjan skall inte hänga löst från svärdet på undersidan.

Obs! Spänn inte kedjan alltför hårt eftersom detta leder till extra slitage och förkortar livslängden för svärdet och kedjan.

Obs! När kedjan är ny, skall man kontrollera spänningen ofta (efter att nätströmmen slagits från) under de första 2 timmarnas användning eftersom en ny kedja brukar sträckas ut något.

Hårdare spänning av kedjan:

- ◆ Skruva skruven (14) medsols.

## ANVÄNDNING



Överbelasta inte maskinen, låt den arbeta i sin egen takt.

### Påfyllning av olja i behållaren (fig. E)

- ◆ Ta av oljelocket (3) och fyll på behållaren med de rekommenderade kedjeoljan. Man kan avläsa oljenivån på indikatorn (4). Sätt tillbaka locket.
- ◆ Stäng av med jämna mellanrum och kontrollera oljenivån. Om nivån är under en fjärdedel, kopplar du kedjesågen från nätströmmen och fyller på till rätt nivå.

### Automatisk kedjebroms (fig. F & G)

Detta verktyg är utrustat med en automatisk kedjebroms, som stoppar kedjan inom 0,15 sek. när man släpper det bakre reglaget, eller när ett slag inträffar. Bromsen bör testas före varje användning.

### Inställning av kedjebromsen

- ◆ Kontrollera att verktyget är bortkopplat från nätströmmen.
- ◆ Dra kastskyddet (5) bakåt till läget "låst" (O).

Verktyget är nu klart för användning.

### Kastskyddets funktion

Om du skulle råka ut för att maskinen gör ett kast, kommer din vänstra hand i beröring med kastskyddet och stöter det bakåt, varvid maskinen stannar inom 0,15 sek.

### Kedjebromsens funktion

Kedjebromsen aktiveras när kastskyddet trycks framåt, antingen manuellt, av användarens handrygg, eller av sin egen tyngd. Kedjebromsen har den fördelen att den aktiveras av ett hårt slag, t.ex. när kedjan stöter mot metall. Den aktiveras även när användarens hand inte vidrör skyddet, d.v.s. när sågen är i läge för trädfällning.

### Test av kastskyddet

- ◆ Fatta verktyget i ett fast grepp när det ligger på ett stabilt underlag. Kontrollera att kedjan går fri från underlaget (se "Start av kedjesågen")
- ◆ Vrid vänster hand framåt runt det främre handtaget så att handryggen kommer i kontakt med kastskyddet och trycker det bakåt (fig. G). Nu skall kedjan stanna inom bråkdelen av en sekund.

### Återställning efter bromsaktivering

- ◆ Följ anvisningarna för kedjebromsen.

Obs!

- ◆ Det går inte att starta verktyget om kastskyddet inte står i läget "låst".
- ◆ Undvik att starta om verktyget innan du hör att motorn har stannat helt.
- ◆ Om kedjan inte stannar omedelbart, är det ett tecken på att den behöver spännas (se "Montering av svärd och kedja").

### Start av kedjesågen (fig. A)

- ◆ Fatta kedjesågen i ett fast grepp med båda händerna. Tryck låsknappen (2) framåt och tryck på strömbrytaren (1) för att starta.
- ◆ När motorn startar, släpper man låsknappen med tummen och fattar stadigt om handtaget.

Pressa inte sågen – låt den göra arbetet själv. Den arbetar bättre och säkrare i den hastighet som den är avsedd för. Överdriven press kommer att spänna kedjan för mycket.

Om kedjan eller svärdet skulle fastna:

- ◆ Stäng av verktyget.
- ◆ Koppla bort verktyget från nätströmmen.
- ◆ Öppna skåran med kilar för att lätta på trycket på kedjan. Försök inte vrida loss sågen. Börja såga på ett nytt ställe.

## Trädfällning (fig. H – J)

- ◆ Se i förväg ut en nödutväg från nedfallande träd eller grenar.
- ◆ Såga inåt till en tredjedel av stammens diameter (fig. H). Såga sedan ett hack uppifrån och neråt med en vinkel på ca. 45°. På så sätt undviker du att sågen kläms fast.
- ◆ Såga ett snitt från stammens andra sida för att fälla trädet, men stanna upp innan du har sågat igenom (fig. I).
- ◆ Kör in en eller flera kilar i det sista skäret för att vidga det och fälla trädet (fig. J)

## Kapning (fig. K - M)

Hur man sågar beror på hur stocken ligger. Om möjligt, använd sågbock. Börja alltid såga med kedjan i gång och med barkstödet (15) liggande mot stocken (fig. K). Avsluta snittet med en vridrörelse med barkstödet mot stocken.

När stocken är upplagd med stöd utmed hela sin längd

- ◆ Såga neråt, men akta dig för att såga i marken eftersom sågen då snabbt förlorar skärpa.

## FELSÖKNING

Om verktyget inte fungerar korrekt, skall följande kontrolleras.

Fel	Möjlig orsak	Åtgärd
Verktyget startar inte.	Trasig säkring. Utlöst jordfelsbrytare. Ingen ström.	Byt säkring. Kontrollera jordfelsbrytaren. Kontrollera förbindelsen med elnätet.
Verktyget startar inte – låsknappen släpper inte.	Kastskyddet står i låst läge.	Återställ skyddet.
Kedjan stoppar inte genast när verktyget stängs av.	Kedjan är för löst spänd.	Kontrollera kedjans spänning.
Svärd/Kedja är varma/ryker.	Tom oljebehållare. Kedjan är för hårt spänd. Kedjedrevet behöver smörjas.	Kontrollera oljenivån. Kontrollera kedjans spänning.

När stocken är upplagd med stöd vid bägge ändar

- ◆ Såga först en tredjedel neråt, så att du undviker att virket splittras, och såga sedan tvärs igenom från andra hållet.

När stocken är upplagd med stöd vid ena änden

- ◆ Såga först en tredjedel uppåt, och såga sedan neråt så att virket inte splittras.

Med stocken lutande (fig. L)

- ◆ Stå alltid vid den övre änden.

Med sågbock (fig. M)

Om möjligt är detta det bästa sättet.

- ◆ Lägg stocken stadigt. Såga alltid utanför bockens ben.

## UNDERHÅLL (fig. N)

Ett regelbundet underhåll ger verktyget en lång effektiv livslängd. Vi rekommenderar att du regelbundet utför följande kontroller.

Oljenivån

Nivån i behållaren bör inte understiga en fjärdedel. Fyll på om nivån är låg.

Kedja och svärd

- ◆ Efter några timmars användning skall kedjan och svärdet tas av och rengöras grundligt.
- ◆ Vid ihopsättning skall svärdet vridas 180° och kedjedrevet smörjas i smörjhålet (18). Detta ger en jämn fördelning över hela svärdskanten.

## Slipning av kedjan

Om du vill ha ut mesta möjliga av verktyget är det viktigt att hålla sågtänderna vassa. Anvisningar återfinns på slipens förpackning. Vi rekommenderar att du köper en slipsats för kedjesågar (finns att köpa hos auktoriserade Black & Decker verkstäder och återförsäljare).

## Byte av slitna kedjor

Utbyteskedjor finns hos återförsäljare och auktoriserade Black & Decker verkstäder. Använd alltid originaldelar.

## Kedjans skärpa

Sågtänderna blir genast slöa om de kommer i kontakt med markytan eller en spik under sågning.

## Kedjespänning

- ◆ Kontrollera kedjans spänning regelbundet.

## Vad gör man om kedjesågen behöver repareras.

Din kedjesåg uppfyller alla relevanta säkerhetskrav. Reparationer ska utföras av kvalificerade personer som använder originaldelar, annars kan användaren utsättas för stor fara. Du bör behålla den här bruksanvisningen och förvara den så att den inte kommer bort.

## TILLBEHÖR

Kat. nr.	Beskrivning
A6154	300 mm / 12" kedja
A6155	350 mm / 14" kedja
A6156	400 mm / 16" kedja
A6039	Slipsats
A6027	0,5 l. kedjeolja

## MILJÖ



När ditt verktyg är utslitet, skydda naturen genom att inte slänga det tillsammans med vanligt avfall. Lämna det till de uppsamlingsställen som finns i din kommun eller där du köpt verktyget.

## Reservdelar / reparationer

Reservdelar finns att köpa hos auktoriserade Black & Decker verkstäder, som även ger kostnadsförslag och reparerar våra produkter.

Förteckning över våra auktoriserade verkstäder finns på Internet, vår hemsida [www.blackdecker.se](http://www.blackdecker.se) samt [www.2helpU.com](http://www.2helpU.com).

## Garanti

Black & Decker garanterar att produkten är fri från material- och/eller fabriktionsfel vid leverans till kund. Garantin är i tillägg till konsumentens lagliga rättigheter och påverkar inte dessa. Garantin gäller inom medlemsstaterna i Europeiska Unionen och i det Europeiska Frihandelsområdet.

Om en Black & Decker produkt går sönder på grund av material- och/eller fabriktionsfel eller brister i överensstämmelse med specifikationen, inom 24 månader från köpet, åtar sig Black & Decker att reparera eller byta ut produkten med minsta besvär för kunden.

Garantin gäller inte för fel som beror på:

- ◆ normalt slitage
- ◆ felaktig användning eller skötsel
- ◆ att produkten skadats av främmande föremål, ämnen eller genom olyckshändelse

Garantin gäller inte om reparation har utförts av någon annan än en auktoriserad Black & Decker verkstad.

För att utnyttja garantin skall produkten och inköpskvittot lämnas till återförsäljaren eller till en auktoriserad verkstad senast 2 månader efter det att felet har upptäckts. För information om närmaste auktoriserad verkstad; kontakta det lokala Black & Decker kontoret på den adress som är angiven i bruksanvisningen. En lista på alla auktoriserade verkstäder samt servicevillkor finns även tillgängligt på Internet, adress: [www.2helpU.com](http://www.2helpU.com).

## CE-FÖRSÄKRAN OM ÖVERENSSTÄMMELSE



GK1330/GK1430/GK1435/GK1440/  
GK1630/1635/GK1640

Black & Decker förklarar att dessa verktyg  
är konstruerade i överensstämmelse med:  
98/37/EEG, 89/336/EEG, 73/23/EEG,  
EN 50144, EN 55014  
2000/14/EEG, Kedjesåg  $\leq 1600$  W, Annex V

Ljudnivå, uppmätt enligt 2000/14/EEG:

$L_{pA}$	(ljudtryck)	dB(A)	88
$L_{WA}$	(ljudeffekt)	dB(A)	101
$L_{WA}$	(garanterad)	dB(A)	103



Använd hörselskydd om ljudnivån  
överskrider 85 dB(A).

Det vägda geometriska medelvärdet av  
vibrationsfrekvensen enligt EN 50144:

3,5 m/s<sup>2</sup>

## TÜV Rheinland

Cert. No.  
BM981084801

Kevin Hewitt  
Director of Consumer Engineering  
Spennymoor, County Durham DL16 6JG,  
United Kingdom

# KJEDESAG

## Bli kjent med kjedesagen



**Advarsel!** Ved bruk av elektroverktøy må du alltid følge en del grunnleggende sikkerhetsregler for å redusere faren for brann, elektrisk støt og personskade.



Les denne bruksanvisningen nøye og følg alle de anbefalte sikkerhetsinstruksene før, under og etter bruk av kjedesagen. Hold kjedesagen i god stand. Bli kjent med kontrollene på saken før du forsøker å bruke den, men det viktigste er at du vet hvordan du stopper verktøyet i en nødsituasjon. Oppbevar denne bruksanvisningen og annen dokumentasjon som følger med, på et lett tilgjengelig sted.

## SIKKERHETSINSTRUKSJONER

- ◆ Bli kjent med kjedesagen. Les denne bruksanvisningen nøye og bli kjent med kjedesagen, spesielt når det gjelder saging av rundt trevirke. Vi anbefaler på det sterkeste at de som bruker saken for første gang, øver seg ved å sage ved på en sagkrakk eller en annen form for holder.
- ◆ Unngå farlige omgivelser. Hold arbeidsområdet rent og ryddig. Pass på at arbeidsområdet er godt opplyst. Vi anbefaler på det sterkeste at det brukes en sagkrakk eller en annen form for holder der dette er mulig.



Ikke sag vått trevirke eller bruk kjedesagen når det regner.

- ◆ Hold mennesker unna mens kjedesagen er i bruk. Ikke la barn, andre mennesker eller dyr komme i nærheten av kjedesagen mens du bruker den.
- ◆ Hold kjedesagen i god stand når den ikke er i bruk. Ikke oppbevar kjedesagen i lang tid uten først å fjerne kjedet og sverdet som skal oppbevares nedsenket i olje. Lagre alle kjedesagdelene på et tørt og sikkert sted utilgjengelig for barn.

Vi anbefaler at du tømmer oljetanken før oppbevaring.

- ◆ Ikke overbelast kjedesagen. Beregnet belastning/bruk vil føre til at saken gjør jobben bedre og sikrere.



Verneutstyr. Bruk vernetøy som sitter stramt, inkludert en hjelm med visir/vernebriller, hørselsvern, vernesko, beskyttende bukser og kraftige lærhansker.

- ◆ Ikke håndter ledningen feil. Bær aldri en kjedesag i ledningen eller rykk i ledningen for å dra den ut av kontakten. Ikke utsett ledningen for varme, olje eller skarpe kanter. Kontroller ledningen hyppig for skade.
- ◆ Sikre arbeidet ved hjelp av tvinger eller kiler. Bruk begge hendene når du bruker kjedesagen.



Trekk støpselet ut av strømkontakten før du skifter arbeidssted, justerer, sliper eller rengjør saken, bytter tilbehør, som for eksempel kjedet, eller hvis ledningen har viklet seg sammen eller er skadet.

- ◆ Justeringsnøkler. Gjør det til en vane å kontrollere at justeringsnøklerne er fjernet fra kjedesagen før du setter den i gang.
- ◆ Bruk bare en forlengelsesledning av typen HO7RN-F 2 x 1 mm<sup>2</sup> (som et minimum).
- ◆ Vær oppmerksom. Bruk aldri kjedesagen når du er trøtt.
- ◆ Sjekk saken for skadede deler. Før du fortsetter å bruke kjedesagen, må eventuelle beskyttelser eller andre deler som er skadet, kontrolleres nøye for å fastslå om de vil fungere riktig og utføre det de er beregnet på. Kontroller at bevegelige deler er riktig montert, at de er fastlåst på riktig måte, at ingen deler er skadet samt andre forhold som kan innvirke på bruken av saken. En beskyttelse eller en annen del som er skadet, må repareres og erstattes av et godkjent serviceverksted. Ikke bruk kjedesagen hvis det ikke er mulig å slå den på og av med strømbryteren.



**Advarsel!** Bruk av annet tilbehør enn det som anbefales i denne bruksanvisningen kan føre til fare for personskade.

- ◆ For alle typer saging må sagen alltid holdes støttet med begge hender, med tommeler og fingre rundt saghåndtaket. Ikke slipp taket før kjedesagen har stanset.
- ◆ Sørg for å ha godt fotfeste og ha alltid planlagt en sikker vei vekk fra stedet i tilfelle av fallende trær eller grener.
- ◆ Bruk kiler for å kontrollere bevegelsen til treet og forhindre at kjedet og sverdet blokkeres i treet.
- ◆ Hold kropp og klær på god avstand fra kjedet mens kjedesagen er i bruk. Før du slår på kjedesagen, må du kontrollere at den ikke kommer borti noe. Ikke berør eller forsøk å stoppe et sagkjede i bevegelse med hendene.
- ◆ Bær kjedesagen forsiktig (den må være koblet fra strømforsyningen) med sverdet og kjedet vendt bakover og sverdbeskyttelsen på.
- ◆ Hold kjedesagen ren. Unngå at smuss, olje eller sagflis samler seg på kjedesagen. Vær spesielt oppmerksom på luftinntaket og -uttaket; disse må ikke være tilstoppet. Rengjør kjedesagen med en tørr klut, men ikke bruk løsemidler eller andre rengjøringsmidler.
- ◆ Vedlikehold kjedet. Hold kjedet skarpt og sørg for at det sitter stramt rundt sverdet. Sørg for at kjedet og sverdet er rent og godt smurt med olje.



Pass opp for tilbakeslag. Tilbakeslag er bevegelsen opp-/bakover som sverdet kan få når spissen på kjedet utilsiktet kommer i kontakt med en gjenstand. Hold kjedesagen fast med begge hender når motoren er i gang. Sørg for å ha et fast grep med tomlene og de andre fingrene rundt håndtaket, og se nøye på det du sager.

Tilbakeslag kan forårsakes av:

- ◆ At du utilsiktet kommer borti grener eller andre gjenstander med spissen av saken mens kjedet er i bevegelse.
- ◆ At du kommer borti metall, sement eller annet hardt materiale i nærheten av trevirket, eller som er skjult i trevirket.
- ◆ Et sløvt eller løst kjede.
- ◆ At du sager over skulderhøyde.

- ◆ At du ikke er oppmerksom nok når du holder i eller fører saken under saging.
- ◆ At du strekker deg for langt. Pass på at du alltid har sikkert fotfeste og god balanse, og ikke strekk deg for langt.
- ◆ Ikke forsøk å sette saken inn i et tidligere laget kutt. Dette kan føre til tilbakeslag. Lag et nytt kutt hver gang.
- ◆ Vi anbefaler på det sterkeste at du ikke bruker kjedesagen mens du står i et tre, på en stige eller på andre ustabile underlag. Hvis du likevel bestemmer deg for dette, må du være oppmerksom på at slike stillinger er ekstremt farlige.
- ◆ Når du sager en gren som er spent, må du være oppmerksom på at den kan kastes tilbake, slik at den ikke slår borti deg når spenningen forsvinner.
- ◆ Unngå å sage:
  - ◆ Bearbeidet trevirke.
  - ◆ I bakken.
  - ◆ I trådgjerder, spikre osv.
  - ◆ I kratt og busker, fordi kvister og lignende kan komme inn i kjedet og slenges mot deg eller gjøre at du mister balansen.
- ◆ Ikke bruk kjedesagen over skulderhøyde.
- ◆ Pass på at det er noen andre er i nærheten (men på sikker avstand) i tilfelle uhell.
- ◆ Hvis du av en eller annen grunn må berøre kjedet, må du først kontrollere at kjedesagen er koblet fra strømforsyningen.
- ◆ Støyen fra dette produktet kan overskride 85 dB(A). Vi anbefaler derfor at du bruker egnet hørselsvern.

## Advarselssymboler på kjedesagen



Les hele denne bruksanvisningen nøye.



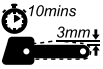
Ikke bruk kjedesagen under våte forhold eller utsett den for regn.



Bruk alltid vernebriller og hørselsvern.



Trekk alltid støpselet ut av kontakten før du inspisierer en ødelagt ledning. Bruk aldri kjedesagen hvis ledningen er skadet.



Før å sikre kontinuerlig og sikker drift må du kontrollere kjedespenningen som beskrevet i denne bruksanvisningen etter hvert 10. minutt under bruk, og justere den tilbake til 3 mm som påkrevd.

### Dobbeltisolering



Kjedesagen er dobbeltisolert. Dette innebærer at alle eksterne metalldele er elektrisk isolert fra strømforsyningen. Dette er oppnådd ved at det er plassert en ekstra isolasjon mellom de elektriske og mekaniske delene. Dobbeltisolering betyr høyere elektrisk sikkerhet og gjør at maskinen ikke trenger å være jordat.

### Elektrisk sikkerhet

- ◆ Kontroller alltid at spenningen på nettet overensstemmer med den spenningen. Spenningen finnes angitt på merkeplaten.

### Tekniske data

Sverdlengde	30 cm	35 cm	40 cm
Spenning (V):	230	230	230
Effekt (W)	1300/1400/ 1600	1400/ 1600	1400/ 1600
Maks. sagelengde (cm)	30	35	40
Kjedehastighet (ubelastet m/s)	8	8	8
Vekt (kg)	3.7	3.8	3.9
Oljekapasitet (ml)	180	180	180
Sikkerhetsklasse	II	II	II

### OVERSIKT (fig. A)

1. Strømbryter
2. Låseknapp
3. Oljelokk
4. Indikator for oljenivå
5. Kastbeskyttelse og kjedebremis
6. Kjedebeskyttelse
7. Kjededekselskrue
8. Sverd
9. Kjede

10. Sverdbeskyttelse
11. Skrunøkkel

### MONTERING



Før monteringen, må du passe på at verktøyet er slått av og at kontakten er trukket ut.

### Olje kjedet (fig. A)

- ◆ Du må alltid olje et nytt kjede før du bruker det for første gang. Ta det nye kjedet ut av plastposen og legg det i kjedeolje i minst en time før du bruker det. Bruk kun kjedeolje fra Black & Decker (kat.nr. A6027).
- ◆ Vi anbefaler at du bare bruker ett oljemerke i hele levetiden til kjedesagen. Blanding av ulike oljer kan føre til at oljen får dårligere egenskaper, noe som kan forkorte kjedesagens levetid betydelig.
- ◆ Bruk aldri spillolje, tykk olje eller svært tynn symaskinolje. Dette kan skade kjedesagen.

### Sette på føringsstangen og kjedet (fig. B, C & D)



Bruk vernehansker.

- ◆ Legg saken på en stabil overflate.
- ◆ Løsne og fjern kjedesdekselskruen (7) (fig. C).
- ◆ Fjern kjededekslet (6).
- ◆ Legg kjedet (9) over sverdet (8). Pass på at spissene på øvre del av sverdet kommer forover (fig. B).
- ◆ Før kjedet rundt sverdet og legg det rundt bakre enden av sverdet så det ligger skikkelig på plass.
- ◆ Sett kjedet og sverdet på saken. Før kjedet rundt drivhjulet (12). Legg sverdet på knastene (13). Pass på at den stillbare muttertappen (16) kommer inn i spenningshullet (17).
- ◆ Sett kjededekslet (6) på saken.
- ◆ Sett på kjededekselskruen (7) og stram den manuelt.
- ◆ Drei skruen (14) (fig. D) med klokken til kjedet er stramt. Pass på at kjedet sitter stramt rundt sverdet. Ikke stram for mye.

- ◆ Fest kjededekselskruen godt ved hjelp av medfølgende skrunøkkel.

## Kontroll og justering av kjedespenningen (fig. D)

Før bruk og hvert 10. minutt under bruk må du sjekke at kjedet er skikkelig spent.

- ◆ Trekk forsiktig i kjedet som vist. Spenningen er riktig når kjedet spretter tilbake etter at det trekkes 3 mm fra sverdet. Det skal ikke være noe "sig" mellom sverdet og kjedet på undersiden.

Merk: Ikke stram til kjedet for mye. Dette vil føre til eksessiv slitasje og vil redusere levetiden til sverdet og kjedet.

Merk: Når kjedet er nytt, må du kontrollere spenningen ofte (sagen må alltid først kobles fra strømforsyningen) i løpet av de første to timene du bruker den, siden et nytt kjede strekker seg noe.

Øke spenningen:

- ◆ Drei skruen (14) med klokken.

## BRUK



La verktøyet jobbe i sin egen hastighet. Ikke overbelast.

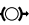
## Fylle olje i oljetanken (fig. E)

- ◆ Fjern oljelokket (3) og fyll oljetanken med anbefalt kjedeolje. Du kan se oljenivået i indikatorsporet (4). Sett på plass oljelokket igjen.
- ◆ Slå av maskinen og kontroller oljeindikatoren regelmessig; hvis tanken er mindre enn 25% full, kobler du kjedesagen fra strømforsyningen og fyller på til riktig nivå.

## Automatisk kjedebremse (fig. F og G)

Dette verktøyet er utstyrt med automatisk kjedebremse som vil stoppe kjedet innen 0,15 sek. når du slipper den bakre bryteren eller det forekommer tilbakeslag. Bremsen må testes før hver bruk.

### Innstille kjedebremsen

- ◆ Sjekk at verktøyet er koblet fra strømforsyningen.
- ◆ Dra kastbeskyttelsen (5) tilbake til "låst"  posisjon.

Verktøyet er nå klart til bruk.

## Kastbeskyttelsens funksjon

I tilfelle av tilbakeslag kommer din venstre hånd i kontakt med frontvernet, skyver det bakover og stopper verktøyet innen 0,15 sek.

## Kjedebremsens funksjon

Kjedebremsen aktiveres når kastbeskyttelsen skyves forover, enten manuelt, med brukerens håndbak eller av sin egen vekt. Fordelen med kjedebremsen er at den aktiveres av et stort tilbakeslag, for eksempel når kjedet treffer metall, selv om brukerens hånd ikke er i kontakt med kastbeskyttelsen, det vil si når sagen er i felleposisjon.

## Test av kastbeskyttelsen

- ◆ Hold verktøyet fast med begge hender på et fast underlag – kontroller at kjedet går klar av bakken og slå på sagen (se "Start av kjedesagen").
- ◆ Drei venstre hånd forover rundt fronthåndtaket slik at håndbaken kommer i kontakt med kastbeskyttelsen og skyver det bakover (fig. G). Kjedet skal nå stoppe innen noen brøkdeler av et sekund.

Tilbakestilling etter bremsaktivering

- ◆ Følg instruksjonene for å innstille kjedebremsen.

Obs!

- ◆ Det er ikke mulig å slå på verktøyet hvis frontvernet ikke er i "låst" posisjon.
- ◆ Unngå å starte opp verktøyet igjen før du hører at motoren har stoppet helt.
- ◆ Hvis kjedet ikke stopper umiddelbart, angir dette at det må strammes (se "Montere sverdet og kjedet").

## Start av kjedesagen (fig. A)

- ◆ Ta godt tak i kjedesagen med begge hender. Skyv låseknappen (2) forover og trykk deretter på strømbryteren (1).
- ◆ Når motoren starter, fjerner du tommelen fra låseknappen og griper godt tak i håndtaket.

Ikke bruk kraft på verktøyet – la det gjøre arbeidet. Det vil gjøre en bedre og sikrere jobb når du bruker den hastigheten den er beregnet for. For mye kraft vil føre til at kjedet strekkes.



Hvis kjedet eller sverdet blokkeres:

- ◆ Slå av verktøyet.
- ◆ Kople verktøyet fra strømforsyningen.
- ◆ Åpne kuttet med kiler for å lette belastningen på sverdet. Ikke forsøk å rykke sagen løs. Start et nytt kutt.

### Felle trær (fig. H - J)

- ◆ Før felling av trær må du planlegge en sikker vei bort fra det fallende treet eller grenene.
- ◆ Kutt en tredjedel av treet diameter (fig. H). Deretter kutter du ovenfra og ned for å lage et hakk på cirka 45°. Dette vil føre til at sagen ikke klemmes fast.
- ◆ Lag et enkelt kutt fra den andre siden, men stopp før du kutter gjennom hakket (fig. I).
- ◆ Driv en eller flere kiler inn i dette kuttet for å åpne det og få treet til å falle (fig. J).

### Kløyving (fig. K - M)

Hvordan du skal kutte, avhenger av hvordan trevirket er støttet opp. Bruk en sagkrakk når det er mulig. Start alltid sagingen med kjedet i gang og med barkstøtten (15) i kontakt med treet (fig. K). For å fullføre kuttet vipper du barkstøtten mot treet.

#### Når støttet langs hele lengden

- ◆ Lag et kutt nedover, men unngå å kutte i bakken, siden dette vil gjøre kjedet sløvt svært raskt.

#### Når støttet i begge ender

- ◆ Først kutter du en tredjedel nedover for å unngå oppsplintring, deretter kutter du igjen for å møte det første kuttet.

#### Når støttet i én ende

- ◆ Først kutter du en tredjedel opp for å unngå oppsplintring, deretter kutter du ned for å unngå oppsplintring.

#### I en helling (fig. L)

- ◆ Stå alltid på oversiden.

#### Ved bruk av sagkrakk (fig. M)

Om mulig er dette den beste måten.

- ◆ Plasser trevirket i en stabil posisjon. Kutt alltid på utsiden av sagkrakkarmene.

### VEDLIKEHOLD (fig. N)

Regelmessig vedlikehold sikrer lang og effektiv levetid for verktøyet. Vi anbefaler at du foretar følgende sjekker regelmessig:

#### Oljenivå

Oljetanken må alltid være minst 25% full.

Fyll på olje hvis nivået er lavt.

#### Kjede og sverd

- ◆ Etter noen timers bruk bør kjedet og sverdet tas av og rengjøres grundig.
- ◆ Ved remontering skal sverdet vris 180° og kjededrevet smøres i smøringshullet (18). Dette sikrer jevn fordeling over hele sverdkanten.

#### Slipe kjedet

Hvis du vil ha best mulig ytelse fra verktøyet, er det viktig å holde kjedetennene skarpe. Du finner mer informasjon om dette i slipesettet. For dette anbefaler vi at du kjøper Black & Deckers slipesett for kjedesager (fås hos autoriserte Black & Decker serviceverksteder og forhandlere).

#### Skifte ut slitte kjeder

Nye kjeder kan fås hos forhandlere og Black & Decker autoriserte serviceverksteder. Bruk alltid originale reservedeler.

#### Kjedeskarpheit

Sagetennene vil bli sløve med en gang hvis de berører bakken eller en spiker under bruk.

#### Kjedespenning

- ◆ Sjekk kjedespenningen regelmessig.

#### Hva som skal gjøres hvis kjedesagen må repareres

Denne kjedesagen oppfyller relevante sikkerhetskrav. Reparasjoner må bare utføres av autoriserte Black & Decker serviceverksteder som benytter originale reservedeler, ellers kan det være farlig å bruke utstyret. Vi anbefaler at du oppbevarer denne bruksanvisningen på et sikkert sted.

## PROBLEMLØSING

Hvis verktøyet ikke fungerer som det skal, kontrollerer du følgende:

Feil	Mulig årsak	Løsning
Verktøyet starter ikke Utløst jordfeilbryter. Ingen strøm.	Sikringen er gått. Kontroller jordfeilbryteren. Kontroller strømforsyningen.	Skift ut sikringen.
Verktøyet starter ikke – låseknappen slipper ikke.	Kastbeskyttelsen er låst	Tilbakestill beskyttelsen.
Kjedet stanser ikke umiddelbart når verktøyet slås av	Kjedet er for løst spent.	Sjekk kjedespenningen.
Sverdet/kjedet er varmt/ryker.	Oljetanken er tom. Kjedet er for hardt spent. Kjededrevet trenger smøring.	Sjekk oljenivået. Sjekk kjedespenningen.

## TILBEHØR

Kat.nr.	Beskrivelse
A6154	300 mm/12" kjede
A6155	350 mm/14" kjede
A6156	400 mm/16" kjede
A6039	Slipesett
A6027	0,5 l kjedeolje

## MILJØ



Når verktøyet ditt er utslitt, beskytt naturen ved ikke å kaste det sammen med vanlig avfall. Lever det til en oppsamlingsplass som finnes i din kommune eller der hvor du kjøpte verktøyet.

## Reservdeler / reparasjoner

Reservdeler kan kjøpes hos autoriserte Black & Decker serviceverksteder, som også gir kostnadsoverslag og reparerer våre produkter.

Oversikt over våre autoriserte serviceverksteder finnes på Internet, vår hjemmeside

[www.blackdecker.no](http://www.blackdecker.no) samt [www.2helpU.com](http://www.2helpU.com).

## Garanti

Black & Decker garanterer at produktet ikke har material- og/eller fabrikkasjonsfeil ved levering til kunde. Garantien er i tillegg til kundens lovlige rettigheter og påvirker ikke disse. Garantien gjelder innen medlemsstatene i den Europeiske Unionen og i det Europeiske Frihandelsområdet.

Hvis et Black & Decker produkt går i stykker på grunn av material- og/eller fabrikkasjonsfeil eller har mangler i forhold til spesifikasjonene, innen 24 måneder fra kjøpet, påtar Black & Decker seg å reparere eller bytte ut produktet med minst mulig vanskelighet for kunden.

Garantien gjelder ikke for feil som kommer av:

- ◆ normal slittasje
- ◆ feilaktig bruk eller vedlikehold (mislighold)
- ◆ at produktet har blitt skadet av fremmede gjenstander, emner eller ved et uhell

Det gjøres oppmerksom på at produktet ikke er beregnet på industriell/profesjonell/yrkesmessig bruk, men til hus- og hjemmebruk.

Garantien gjelder ikke om reparasjoner har blitt utført av noen andre enn et autorisert Black & Decker serviceverksted.

For å ta garantien i bruk skal produktet og kjøpekvitteing leveres til forhandleren eller til et autorisert serviceverksted senest 2 måneder etter at feilen har blitt oppdaget. For informasjon om nærmeste autoriserte serviceverksted; kontakt det lokale Black & Decker kontoret på den adressen som er angitt i bruksanvisningen. En oversikt over alle autoriserte serviceverksteder samt servicevilkår finnes også tilgjengelig på Internet, adresse: [www.2helpU.com](http://www.2helpU.com).

## CE-SIKKERHETSERKLÆRING



GK1330/GK1430/GK1435/GK1440/  
GK1630/1635/GK1640

Black & Decker erklærer at disse verktøyer  
er konstruert i henhold til:

98/37/EØF, 89/336/EØF, 73/23/EØF,  
EN 50144, EN 55014

2000/14/EØF, Kjedesag  $\leq 1600$  W, Annex V

Lydnivået, målt i henhold til 2000/14/EØF:

$L_{pA}$	(lydnivå)	dB(A)	88
$L_{WA}$	(akustisk effekt)	dB(A)	101
$L_{WA}$	(garantert)	dB(A)	103



Bruk hørselsbeskyttelse dersom lydnivået  
overskrider 85 dB(A).

Den veide geometriske middelverdien av  
vibrasjonsfrekvensen i følge EN 50144:

3,5 m/s<sup>2</sup>

## TÜV Rheinland

Sert. Nr.

BM981084801

Kevin Hewitt

Director of Consumer Engineering  
Spennymoor, County Durham DL16 6JG,  
United Kingdom

# KÆDESAV

## Kend din kædesav



**Advarsel!** Ved brug af elværktøj skal de grundlæggende sikkerhedsforanstaltninger altid overholdes, således at risikoen for brand, elektrisk stød og personskader begrænses.



Læs denne brugsanvisning omhyggeligt, og overhold alle de anbefalede sikkerhedsinstruktioner før, under og efter brugen af kædesaven. Hold kædesaven vedlige, så den altid virker. Gør dig fortrolig med kontrolknapperne på kædesaven, før du forsøger at betjene den. Det vigtigste er dog, at du er sikker på, at du ved, hvordan du skal standse værktøjet, hvis der opstår en nødsituation. Opbevar denne brugsanvisning og den øvrige medfølgende dokumentation til senere brug.

## SIKKERHEDSINSTRUKTIONER

- ◆ Kend din kædesav. Læs omhyggeligt denne brugsanvisning, og gør dig fortrolig med kædesaven, især med hensyn til savning af runde træemner. Vi anbefaler kraftigt, at førstegangsbrugere øver sig i at save brænde på en savbuk eller et stativ.
- ◆ Undgå farlige omgivelser. Hold arbejdsområdet rent, og fjern eventuelt rod omkring arbejdspladsen. Sørg for en god belysning over arbejdsområdet. Vi anbefaler kraftigt brugen af en savbuk eller et stativ, når det er muligt.



Der må ikke saves i vådt træ, og saven må ikke benyttes, når det regner.

- ◆ Hold andre mennesker på afstand, når kædesaven er i brug. Lad ikke børn, andre voksne eller dyr komme i nærheden af kædesaven, når du er i gang med den.
- ◆ Vedligehold kædesaven, når den ikke er i brug. Kædesaven må ikke opbevares i længere tid, uden at savkæden og sværdet er afmonteret.

Disse dele skal opbevares neddyppet i olie. Opbevar alle kædesavens dele på et tørt, sikkert sted uden for børns rækkevidde.

Vi anbefaler, at du tømmer oliebeholderen, før kædesaven lægges til opbevaring.

- ◆ Kædesaven må ikke forceres. Den fungerer bedre og mere sikkert, når den bruges med den hastighed, som den er beregnet til.



Beskyttelsestøj. Man bør bære tætsiddende og beskyttende tøj, herunder sikkerhedshjelm med visir/beskyttelsesbriller, øjenbeskyttelse, sikkerhedssko, beskyttende overtræksbukser og kraftige læderhandsker.

- ◆ Vær forsigtig med ledningen. Kædesaven må aldrig bæres i ledningen, og ledningen må ikke trækkes ud af stikkontakten. Ledningen skal holdes på afstand af varme, olie og skarpe kanter. Kontrollér hyppigt kablet for skader.
- ◆ Sæt arbejdsemnet fast med skruetvinger eller klamper. Sørg for at bruge begge hænder, når du arbejder med kædesaven.



Fjern stikket fra kontakten, før du flytter arbejdssted, justerer, skærper eller renser, skifter reservedele som f.eks. kæden, eller hvis ledningen bliver filtret eller beskadiget.

- ◆ Justerværktøj. Gør det til en vane at kontrollere, at justerværktøjet er fjernet fra kædesaven, før du starter den igen.
- ◆ Benyt kun forlængerkabler af typen HO7RN-F 2 x 1mm<sup>2</sup> som minimum.
- ◆ Vær opmærksom. Brug ikke kædesaven, når du er træet.
- ◆ Kontrollér værktøjet for beskadigede dele. Før kædesaven bruges yderligere, skal en beskyttelsesskærm eller andet, der er beskadiget, omhyggeligt undersøges for at afgøre, om saven kan fungere korrekt og udføre den ønskede funktion. Kontrollér for justering af bevægelige dele, fastgørelse af bevægelige dele, brud på delene, montering og andre forhold, der kan have indflydelse på maskinens funktion.

En beskyttelsesskærm eller andre dele, der er beskadigede, skal repareres eller udskiftes af en autoriseret servicetekniker. Brug ikke maskinen, hvis den ikke kan tændes og slukkes ved hjælp af afbryderen.



**Advarsel!** Anvendelsen af andet tilbehør eller tilkobling af andre apparater end de her anbefalede kan medføre risiko for personskader.

- ◆ Ved alle typer savning skal saven holdes fast med begge hænder med tommelfingrene og de øvrige fingre rundt om håndtaget. Slip ikke grebet, før kæden er holdt op med at bevæge sig.
- ◆ Sørg for, at du har et sikkert fodfæste, og planlæg en sikker udgang fra et faldende træ eller faldende grene, før savningen påbegyndes.
- ◆ Brug kiler til at hjælpe med at styre fældningen og forhindre, at sværdet og savkæden sætter sig fast i træet.
- ◆ Hold alle dele af din krop og dit tøj væk fra kæden, mens kædesaven kører. Før du tænder for kædesaven, skal du sørge for, at den ikke rører ved noget. Man må aldrig berøre en kørende sav eller forsøge at standse den med hænderne.
- ◆ Kædesaven bæres omhyggeligt med strømforsyningen afbrudt, med sværdet og savkæden vendende bagud og med knivbeskytteren monteret.
- ◆ Hold kædesaven ren. Snavs, olie og savsmuld må ikke hobe sig op på kædesaven. Vær særlig opmærksom på luftindtaget og udluftningssprækkerne. De må ikke blokeres. Rens kædesaven med en tør klud, men brug ikke opløsningsmidler eller rengøringsvæsker.
- ◆ Behandling af savkæden. Hold savkæden skarp og stram på sværdet. Sørg for, at savkæden og sværdet er rene og velsmurte.



Pas på tilbageslag. Tilbageslag er sværdets bevægelse op/bagud, som kan forekomme, når spidsen af savkæden uventet kommer i berøring med en genstand. Hold kædesaven fast med begge hænder, når motoren kører.

Tag et fast greb med tommelfingrene og de øvrige fingre rundt om håndtaget, og hold godt øje med det emne, du er i gang med at save.

Der kan forekomme tilbageslag af følgende grunde:

- ◆ Hvis man rammer grene eller andre emner uforvarende med spidsen af saven, mens savkæden kører.
- ◆ Hvis man rammer metal, cement eller andre hårde materialer ved siden af eller indlejret i træet.
- ◆ En sløv eller løs kæde.
- ◆ Savning over skulderhøjde.
- ◆ Mangel på opmærksomhed, mens man holder eller styrer den kørende sav.
- ◆ Udstrækning. Sørg for, at du altid har sikkert fodfæste og balance hele tiden, og stræk dig ikke for langt ud.
- ◆ Prøv ikke at sætte klingens ind i et tidligere snit, da dette vil kunne forårsage tilbageslag. Lav et nyt snit hver gang.
- ◆ Det kan kraftigt frarådes at bruge kædesaven, når du står oppe i et træ, på en stige eller på en anden ustabil overflade. Hvis du gør det alligevel, skal du være opmærksom på, at disse stillinger er yderst farlige.
- ◆ Når du saver en gren, der er under spænding, skal du passe på, når den springer tilbage, at du ikke bliver ramt, når spændingen udløses.
- ◆ Undgå at save:
  - ◆ Forarbejdet tømmer.
  - ◆ I jord.
  - ◆ I ståltrådshegn, søm osv.
  - ◆ I små kviste og unge træer, da det spinkle materiale kan gribe fat i savkæden og blive slynget mod dig eller skubbe dig ud af balance.
- ◆ Brug ikke kædesaven over skulderhøjde.
- ◆ Sørg for, at der står en anden i nærheden (men i sikker afstand) for det tilfælde, at der skulle ske et uheld.
- ◆ Hvis du af en eller anden grund skal røre ved kæden, skal du sørge for, at kædesaven er afbrudt ved stikkontakten.
- ◆ Støjen fra dette produkt kan overstige 85 dB(A). Vi anbefaler derfor, at du tager de relevante forholdsregler til beskyttelse af hørelsen.

## Advarselssymboler på kædesaven



Læs hele denne brugsanvisning omhyggeligt.



Brug ikke kædesaven i våde omgivelser, og udsæt den ikke for regn.



Man skal altid bære høreværn og beskyttelsesbriller.



Træk altid stikket ud af kontakten, før du undersøger et beskadiget kabel. Pas på, at du ikke benytter kædesaven, hvis kablet er beskadiget.



Sørg for fortsat sikker brug ved at kontrollere kædens spænding som beskrevet i denne brugsanvisning efter hver 10 minutters brug, og justér den tilbage til en afstand på 3 mm efter behov.

## Dobbelt isolering



Kædesaven er dobbelt isoleret. Det betyder, at alle udvendige metaldele med hensyn til elektricitet er isolerede fra strømforsyningen. Der er placeret en ekstra isoleringsbarriere mellem de elektriske og de mekaniske dele. Dobbelt isolering betyder større elektrisk sikkerhed og forebygger nødvendigheden af at jorde maskinen.

## Elektrisk sikkerhed

- ◆ Sørg for, at kædesaven er korrekt tilsluttet til strømforsyningen. Spændingen er angivet på typeskiltet.

## Tekniske data

Sværdlængde	30 cm	35 cm	40 cm
Strømspænding (V)	230	230	230
Klassificeret indgangseffekt (W)	1300/1400/	1400/	1400/
Maks. skærelængde (cm)	30	35	40

## Kædehastighed

(uden belastning m/sek)	8	8	8
Vægt (kg)	3.7	3.8	3.9
Oliekapacitet (ml)	180	180	180
Sikkerhedsklasse	II	II	II

## OVERSICHT (fig. A)

1. Afbryder
2. Låseknop
3. Oliedæksel
4. Indikator for oliestand
5. Forsideskærm/kædebremse
6. Kædeovertræk
7. Kædeovertræksbolt
8. Sværd
9. Kæde
10. Kædebeskytter
11. Nøgle

## MONTERING



Før montering skal man sikre sig, at værktøjet er slukket og taget ud af stikkontakten.

## Smøring af kæden (fig. A)

- ◆ Du skal gøre dette, hver gang du bruger en ny kæde første gang. Tag den nye kæde ud af plastikemballagen, og lad den ligge i kædeolie i mindst en time, før den bruges. Brug Black & Decker kædeolie (kat. nr. A6027).
- ◆ Vi anbefaler, at du kun bruger ét oliemærke i hele kædesavens levetid, fordi blandinger af forskellige olier kan føre til, at olien bliver forringet, hvilket kan forkorte kædesavens levetid betydeligt.
- ◆ Brug aldrig spildolie, tyk olie eller meget tynd symaskineolie. De vil kunne beskadige kædesaven.

## Montering af sværd og kæde (fig. B, C og D)



Brug beskyttelseshandsker.

- ◆ Anbring saven på en stabil overflade.
- ◆ Løsn og fjern kædeovertræksboltene (7) (fig. C).
- ◆ Tag kædeovertrækket af (6).

- ◆ Anbring kæden (9) over sværdet (8), sørg for at tænderne på den øverste del af sværdet vender mod forsiden (fig. B).
- ◆ Før kæden rundt om sværdet og træk i den for at danne en sløjfe i den bageste ende af sværdet.
- ◆ Sæt kæden og sværdet på saven. Før kæden omkring kadedetrækket (12). Anbring sværdet på stiverne (13). Sørg for, at skydemøtrikkens tap (16) kommer på plads i spændingshullet (17).
- ◆ Anbring kædeovertrækket (6) på saven.
- ◆ Fastgør kædeovertræksbolten (7), og stram den med fingrene.
- ◆ Drej skruen (14) (fig. D) med uret, indtil kæden er stram. Sørg for at kæden sidder stramt omkring sværdet. Stram ikke for meget.
- ◆ Fastspænd kædeovertræksbolten med vedlagte skruenøgle.

### Check og justering af kædespænding (fig. D)

Før brugen og for hver 10 minutters brug skal kædespændingen checkes.

- ◆ Træk let i kæden som vist. Spændingen er korrekt, hvis kæden springer tilbage efter at være trukket 3 mm væk fra sværdet. Der må ikke være nogen "nedbøjning" mellem sværdet og kæden på undersiden.

Bemærk: Man må ikke overstramme kæden, da det vil kunne føre til større slid og vil reducere sværdets og kædens levetid.

Bemærk: Når kæden er ny, skal den undersøges hyppigt (efter at strømmen er afbrudt ved kontakten) i løbet af de første 2 timer i brug, fordi nye kæder let udvider sig.

For at øge spændingen:

- ◆ Drej skruen (14) med uret.

## ANVENDELSE



Lad maskinen arbejde i eget tempo. Det forhindrer den i at blive overbelastet.

### Påfyldning af olie i beholderen (fig. E)

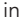
- ◆ Fjern oliedækslet (3), og fyld beholderen med den anbefalede kædeolie. Du kan se oliestanden i indikatorsprækken (4). Sæt oliedækslet på igen.

- ◆ Sluk med jævne mellemrum saven, og kontrollér i indikatoren, at der er olie nok på. Hvis beholderen er mindre end kvart fuld, skal kædesaven afbrydes ved kontakten, og der skal fyldes en korrekt mængde olie på.

### Auto-stop kædebremse (fig. F og G)

Dette værktøj er udstyret med en auto-stop kædebremse, der standser kæden inden for 150 millisekunder, hver gang du udløser den bageste startknap, eller hvis der skulle opstå tilbageslag. Denne bremse skal testes før hver anvendelse.

#### Sådan indstilles kædebremsen

- ◆ Kontrollér, at værktøjet er afbrudt ved stikkontakten.
- ◆ Træk forsideskærmen (5) tilbage til den indstillede position .

Værktøjet er nu klar til brug.

#### Sådan arbejder anti-tilbageslags-kædebremsen

I tilfælde af tilbageslag kommer din venstre hånd i kontakt med forsideskærmen og skubber den tilbage og standser værktøjet inden 150 ms.

#### Sådan arbejder sikkerhedsbremseren

Kædebremseren aktiveres, når den forreste håndskærm skubbes frem, enten manuelt med bagsiden af brugerens hånd eller ved sin egen vægt. Fordelen ved sikkerhedsbremseren er, at den aktiveres ved kraftigt tilbageslag, f.eks. når kæden rammer metal, selv om brugerens hånd ikke rører ved forsideskærmen, dvs. når saven er i fældningsposition.

#### Sådan testes anti-tilbageslags-kædebremsen

- ◆ Grib fast om værktøjet med begge hænder på en fast overflade - sørg for, at kæden er fri af jorden, og tænd for maskinen (se afsnittet "Sådan tændes for kædesaven").
- ◆ Drej venstre hånd fremad rundt om det forreste håndtag, så bagsiden af din hånd rører ved forsideskærmen og skubber den bagud (fig. G). Kæden skal nu standse på en brøkdæl af et sekund.

Sådan nulstilles saven efter kædebremsetesten

- ◆ Følg vejledningen i indstilling af kædebremsen.

Noter:

- ◆ Det er ikke muligt at tænde for værktøjet, hvis forsideskærmen ikke er på plads.
- ◆ Undgå at genstarte værktøjet, indtil du kan høre, at motoren er helt standset.
- ◆ Hvis kæden ikke straks standser, er det tegn på, at den trænger til at blive strammet (se afsnittet "Montering af sværd og kæde").

### Sådan tændes værktøjet (fig. A)

- ◆ Hold fast i kædesaven med begge hænder. Skub låseknappen (2) fremad, og tryk derefter på afbryderen (1) for at starte.
- ◆ Når motoren starter, skal du fjerne tommelfingeren fra låseknappen og gribe fast om håndtaget.

Værktøjet må ikke forceres - giv det mulighed for at virke. Det fungerer bedre og mere sikkert, når det bruges med den hastighed, som det er beregnet til. Kæden udvider sig, hvis den udsættes for tvang.

Hvis savkæden eller sværdet blokerer:

- ◆ Sluk for værktøjet.
- ◆ Afbryd værktøjet ved stikkontakten.
- ◆ Åbn snittet med kiler for at mindske belastningen på sværdet. Prøv ikke at vride saven fri. Start et nyt sted.

### Fældning (fig. H - J)

- ◆ Planlæg en sikker udgang fra faldende træer eller grene.
- ◆ Skær en tredjedel af træets diameter (fig. H). Skær derefter ned ovenfra for at lave et hak på ca. 45°. På denne måde undgår du at klemme saven.
- ◆ Lav et enkelt fældningssnit fra den anden side, men stands, før du skærer helt igennem til hakket (fig. I).
- ◆ Driv én eller flere kiler ind i dette snit for at åbne det og få træet til at falde (fig. J).

### Kapning (fig. K - M)

Den måde, du skal skære på, afhænger af, hvordan stammen er understøttet. Brug en savbuk, når det er muligt.

Start altid et snit med kæden kørende og den sømbeslåede støddæmper (15) i berøring med træet (fig. K). Færdiggør snittet med en drejebbevægelse af den sømbeslåede støddæmper mod træet.

### Hvis stammen er understøttet i hele sin længde

- ◆ Lav et nedadgående snit, men undgå at skære i jorden, da dette hurtigt vil kunne forringe saven.

### Hvis stammen er understøttet i begge ender

- ◆ Skær først en tredjedel ned for at undgå splintring, og sav derefter igen for at møde det første snit.

### Hvis stammen er understøttet i den ene ende

- ◆ Skær først en tredjedel op for at undgå splintring, og sav derefter ned igen.

### Hvis du står på en skråning (fig. L)

- ◆ Stå altid oven for arbejdsstedet.

### Brug af en savbuk (fig. M)

Dette kan anbefales, hvis det er muligt.

- ◆ Anbring stammen, så den ligger stabilt. Skær altid på ydersiden af savbukkens arme.

### VEDLIGEHOLDELSE (fig. N)

Regelmæssig vedligeholdelse sikrer en lang effektiv levetid for værktøjet. Vi anbefaler, at du udfører følgende kontrol med jævne mellemrum.

### Oliestand

Niveauet i beholderen må ikke komme ned under kvart fuld. Fyld op, hvis den er lav.

### Kæde og sværd

- ◆ Efter hver fem timers brug skal sværdet og kæden tages af og renses grundigt.
- ◆ Ved den efterfølgende samling skal sværdet drejes 180°, og trækspidsen smøres gennem træsmørhullet (18). Derved sikres en ligelig fordeling af slidet omkring sværdskinne.

### Skærpelse af savkæden

Hvis du ønsker, at værktøjet skal yde sit bedste, er det vigtigt at holde tænderne på savkæden skarpe.



Der findes en vejledning i denne procedure på slibesætpakningen. Til dette formål anbefaler vi Black & Decker slibesæt til savkæder (fås hos Black & Decker-forhandlere og andre udvalgte forhandlere).

### Udskiftning af slidte kæder

Udskiftningskæder fås i detailhandelen eller hos Black & Decker-forhandlere. Brug altid originale reservedele.

### Savkædens skarphed

Skærerne bliver øjeblikkeligt sløve, hvis de berører jorden eller et søm under savning.

### Savkædens spænding

- ◆ Check regelmæssigt kædespændingen.

### Gør følgende, hvis kædesaven skal repareres

Denne kædesav overholder de relevante sikkerhedsforskrifter. Reparationer må kun foretages af dertil kvalificerede personer, som bruger originale reservedele. I modsat fald kan der opstå betydelig fare for brugeren. Vi anbefaler, at du opbevarer denne brugsanvisning et sikkert sted.

## TILBEHØR

Kat. nr.	Beskrivelse
A6154	300 mm / 12" kæde
A6155	350 mm / 14" kæde
A6156	400 mm / 16" kæde
A6039	Slibesæt
A6027	0,5 l kædeolie

## MILJØ



Når dit værktøj er udtjent, beskyt da naturen ved ikke at smide det ud sammen med det almindelige affald. Aflever det til de opsamlingssteder, der findes i din kommune eller der hvor du købte værktøjet.

## Reservedele / reparationer

Reservedele kan købes hos autoriserede Black & Decker serviceværksteder, som giver forslag til omkostninger og reparerer vore produkter. Oversigt over vore autoriserede værksteder findes på internettet på vor hjemmeside [www.blackdecker.dk](http://www.blackdecker.dk) samt [www.2helpU.com](http://www.2helpU.com).

## Garanti

Black & Decker garanterer, at produktet er fri for materielle skader og/eller fabrikationsfejl ved levering til kunden. Garantien er et tillæg til konsumentens lovlige rettigheder og påvirker ikke disse. Garantien gælder indenfor medlemsstaterne af den Europæiske Union og i det Europæiske Frihandelsområde.

## FEJLFINDING

Hvis værktøjet ikke fungerer korrekt, skal følgende undersøges.

Fejl	Mulig årsag	Afhjælpning
Værktøjet starter ikke.	Sikringen er sprunget. Udløst RCD (reststrømsenhed). Netledningen er ikke tilsluttet.	Udskift sikringen. Check RCD. Kontrollér strømforsyningen.
Værktøjet starter ikke - låseknappen kan ikke glide.	Forsideskærmen er i bremseposition	Sæt forsideskærmen på plads.
Kæden standser ikke øjeblikkeligt, når værktøjet slukkes	Kædespændingen er for løs.	Check kædespændingen.
Sværdet/kæden er varm/ryger.	Oliebeholderen er tom. Kædespændingen er for stram. Sværdets trækspids trænger til at blive smurt.	Check oliestanden. Check kædespændingen.

Hvis et Black & Decker produkt går i stykker på grund af materiel skade og/eller fabrikationsfejl eller på anden måde ikke fungerer i overensstemmelse med specifikationen, inden for 24 måneder fra købsdatoen, påtager Black & Decker sig at reparere eller ombytte produktet med mindst muligt besvær for kunden.

Garantien gælder ikke for fejl og mangler, der er sket i forbindelse med:

- ◆ normal slitage
- ◆ uheldige følger efter unormal anvendelse af værktøjet
- ◆ overbelastning, hærværk eller overdrevent intensivt brug af værktøjet
- ◆ ulykkeshændelse

Garantien gælder ikke hvis reparationer er udført af nogen anden end et autoriseret Black & Decker værksted.

For at udnytte garantien skal produktet og købskvitteringen indleveres til forhandleren eller til et autoriseret værksted, senest 2 måneder efter at fejlen opdages. For information om nærmeste autoriserede værksted: kontakt det lokale Black & Decker kontor på den adresse som er opgivet i brugsanvisningen. Liste over alle autoriserede Black & Decker serviceværksteder samt servicevilkår er tilgængelig på internettet, på adressen [www.2helpU.com](http://www.2helpU.com).

## EU-OVERENSSTEMMELSESERKLÆRING



GK1330/GK1430/GK1435/GK1440/  
GK1630/1635/GK1640

Black & Decker erklærer, at disse værktøjer er konstrueret i henhold til: 98/37/EØF, 89/336/EØF, 73/23/EØF, EN 50144, EN 55014 2000/14/EØF, kædesav ≤ 1600 W, Annex V

Lydniveauet målt i henhold til 2000/14/EØF:

$L_{pA}$ (lydniveau)	dB(A)	88
$L_{WA}$ (akustisk styrke)	dB(A)	101
$L_{WA}$ (garanteret)	dB(A)	103



Anvend høreværn, hvis lydniveauet overstiger 85 dB(A).

Den vægtede geometriske middelværdi af accelerationsfrekvensen i henhold til EN 50144:

3,5 m/s <sup>2</sup>
----------------------

## TÜV Rheinland

Cert. No.
BM981084801

Kevin Hewitt  
Director of Consumer Engineering  
Spennymoor, County Durham DL16 6JG,  
United Kingdom

# KETJUSAHA

## Tunne ketjusahasi



**Varoitus!** Sähkökäyttöisiä koneita käytettäessä on aina noudatettava perusturvallisuusohjeita, jotta tulipalojen, sähköiskujen ja henkilövahinkojen riski olisi mahdollisimman pieni.



Lue tämä käyttöohje huolellisesti. Noudata kaikkia turvaohjeita ennen ketjusahan käyttöä, käytön aikana ja käytön jälkeen. Pidä ketjusaha hyvässä käyttökunnossa. Tutustu ketjusahan säätimiin ennen kuin yrität käyttää sitä. Tärkeintä on varmistaa, että tiedät, kuinka työkalu pysäytetään hätätilanteessa. Säilytä tämä käyttöohje ja muut ohjeet tulevaa tarvetta varten.

## TURVALLISUUSOHJEET

- ◆ Tunne ketjusahasi. Lue tämä käyttöohje huolellisesti ja tutustu ketjusahaan ja erityisesti pyöreän puun sahaamiseen. Suosittelemme ensikäyttäjille, että he harjoittelevat puiden sahaamista sahauspukissa.
- ◆ Vältä vaarallisia ympäristöjä. Pidä työalue puhtaana ja poista sahanpuru ja muu jäte. Järjestä työskentelyalueelle hyvä valaistus. Suosittelemme sahauspukin käyttöä aina, kun tämä on mahdollista.



Älä sahaa märkää puuta äläkä käytä ketjusahaa sateessa.

- ◆ Pidä ihmiset poissa työskentelyalueelta, kun ketjusaha on käytössä. Älä anna lasten, muiden ihmisten tai eläinten olla ketjusahan lähellä, kun käytät ketjusahaa.
- ◆ Pidä ketjusaha hyvässä kunnossa, kun se ei ole käytössä. Älä säilytä ketjusahaa pitkiä aikoja irrottamatta ensin sahan ketjua ja laippaa, jotka on pidettävä öljyttynä. Säilytä ketjusahan kaikki osat kuivassa, turvallisessa paikassa poissa lasten ulottuvilta. Öljysäiliö kannattaa tyhjentää ennen säilytykseen laittamista.

- ◆ Älä paina ketjusahaa. Saha toimii paremmin ja turvallisemmin sille tarkoitetulla toimintanopeudella.



Suojavaatetus. Käytä hyvin sopivia vaatteita, jotka eivät roiku. Käytä myös suojakypärää, jossa on visiiri/suojalasit, kuulonsuojaimia, suojakenkiä, suojahaalareita ja vahvoja nahkakäsineitä.

- ◆ Älä käytä johtoa väärin. Älä koskaan kanno ketjusahaa johdosta tai nyi johtoa, ettei liitin irtoa pistokkeesta. Suojaa johto kuumuudelta, öljyltä tai teräviltä reunoilta. Tarkista johto säännöllisesti vaurioiden varalta.
- ◆ Kiinnitä työkalupale asianmukaisesti. Käytä molempia käsiä, kun käytät ketjusahaa.



Irrota pistoke pistorasiasta ennen työkohdan vaihtamista, säätämistä, teroittamista tai puhdistamista tai jonkin osan (kuten ketjun) vaihtamista tai jos johto tarttuu kiinni tai vaurioituu.

- ◆ Säätöavaimet. Tarkista aina ennen sahan käynnistämistä, että säätöavaimet on irrotettu.
- ◆ Käytä vain jatkojohtoa, jonka tyyppi on HO7RN-F 2 x 1mm<sup>2</sup>. Tämä on minimivaatimus.
- ◆ Ole tarkkaavainen. Älä koskaan käytä ketjusahaa, kun olet väsynyt.
- ◆ Tarkista vahingoittuneet osat. Ennen kuin käytät ketjusahaa uudelleen, suojus tai muu vahingoittunut osa on tarkistettava huolellisesti. Näin voit määrittää, toimiiko se oikein ja täyttääkö se käyttötarkoituksensa. Tarkista liikkuvien osien kohdistus, liikkuvien osien jumittuminen, osien hajoaminen, osien oikea asennus ja muut tekijät, jotka voivat vaikuttaa sahan toimintaan. Suojus tai muu vahingoittunut osa tulee korjata tai vaihtaa valtuutetussa huoltoliikkeessä. Älä käytä ketjusahaa, jos se ei käynnisty ja pysähdy virrankatkaisijasta.



**Varoitus!** Muun kuin tässä käyttöohjeessa suositellun tarvikkeen tai lisäosan käyttö voi aiheuttaa henkilövahingon vaaran.

- ◆ Pitele sahaa tiukasti molemmin käsin kaikenlaisen sahaamisen yhteydessä. Pidä peukalot ja sormet sahan kädensijan ympärillä. Älä irrota otetta ennen kuin ketju on pysähtynyt.
- ◆ Varmista, että seisot tukevalla alustalla. Varmista, että pääset pakenemaan turvalliseen paikkaan, jos puu tai oksat kaatuvat.
- ◆ Pyri määräämään puun kaatumissuunta kiilojen avulla. Kiilojen avulla voit myös estää ketjun ja laipan juuttumisen leikkauskohtaan.
- ◆ Pidä kaikki kehon osat ja vaatteet poissa ketjun tieltä, kun saha on käynnissä. Varmista, ettei saha ota kiinni mihinkään ennen kuin kytket sahan virran. Älä kosketa liikkuvaa ketjua tai yritä pysäyttää sitä kädelläsi.
- ◆ Kanna ketjusahaa varovasti virtajohdon ollessa irrotettuna. Laipan ja ketjun on oltava takana ja teräsuojuksen on oltava paikallaan.
- ◆ Pidä ketjusaha puhtaana. Älä anna lian, öljyn tai sahanpurun kertyä ketjusahaan. Kiinnitä erityistä huomiota ilmanotto- ja -poistoaukkoihin. Nämä aukot eivät saa tukkeutua. Puhdista ketjusaha kuivalla kankaalla. Älä käytä mitään liuottimia tai puhdistusnesteitä.
- ◆ Ketjusahan huoltaminen. Pidä ketjusaha terävänä ja ketju tiiviisti laippaan asennettuna. Varmista, että ketjusaha ja laippa ovat puhtaat ja hyvin öljytyt.



Varo takapotkua. Takapotkulla tarkoitetaan laipan liikkumista ylös- tai taaksepäin ketjun kärjen osuessa johonkin esineeseen yllättäen. Pitele ketjusahaa tiukasti molemmin käsin, kun moottori on käynnissä. Käytä tukevaa otetta. Pidä peukalot ja sormet kädensijojen ympärillä. Katso tarkasti, mitä sahaat.

Takapotkun voi aiheuttaa:

- ◆ Oksien tai muiden esineiden koskettaminen sahan kärjellä ketjun liikuessa.
- ◆ Metallin, sementin tai muun kovan materiaalin koskettaminen joko puun lähellä tai itse puussa.
- ◆ Tylsä tai löysä ketju.
- ◆ Olkapäiden tason yläpuolelta sahaaminen.
- ◆ Huono keskittyminen pidellessä tai ohjattaessa sahaa sahaamisen yhteydessä.
- ◆ Kurkottaminen. Seiso aina tukevasti ja tasapainossa äläkä kurkota.

- ◆ Älä yritä asettaa sahanterää edelliseen sahauskohtaan. Tämä voi aiheuttaa takapotkun. Tee joka kerta uusi sahausviilto.
- ◆ Ketjusahaa ei kannata käyttää ollessasi puussa, tikapuilla tai jollakin muulla epävakaaalla pinnalla. Jos päätät tehdä niin, muista, että tällainen työskentelyasento on erittäin vaarallinen.
- ◆ Kun sahaat pingottunutta oksaa, huomioi, että se voi singota takaisin.
- ◆ Vältä:
  - ◆ Valmistellun puutavaran sahaamista.
  - ◆ Maahan sahaamista.
  - ◆ Verkkoaitojen, naulojen jne sahaamista.
  - ◆ Pienten pensaiden tai muun pienen puumateriaalin sahaamista. Taipuisa materiaali voi jumiutua teräketjuun ja iskeä sinua vasten horjuttaen tasapainoasi.
- ◆ Älä käytä ketjusahaa olkapäätason yläpuolella.
- ◆ Varmista, että joku on lähellä (mutta turvallisen etäisyyden päässä) onnettomuuden varalta.
- ◆ Jos sinun on jostakin syystä kosketettava ketjua, varmista, että saha on kytketty irti verkkovirrasta.
- ◆ Ketjusahan melutaso voi ylittää 85 dB(A). Tästä syystä suosittelemme asianmukaisten kuulosuojaimien käyttöä.

## Ketjusahassa olevat varoitusymbolit



Lue tämä käyttöohje kokonaan huolellisesti.



Älä käytä ketjusahaa märissä olosuhteissa tai altista sitä sateelle.



Käytä aina kuulosuojaimia ja suojalaseja.



Irrota pistoke aina virtapistokkeesta ennen vaurioituneen johdon tarkistamista. Varo käyttämästä ketjusahaa, jos johto on vahingoittunut.



Varmista jatkuva turvallinen toiminta tarkistamalla ketjun kireys tässä käyttöohjeessa kuvatulla tavalla aina 10 käyttöminuutin jälkeen.

Säädä ketjua takaisin 3 mm:n välykseen tarpeen vaatiessa.

### Kaksoiseristys



Ketjusaha on kaksoiseristetty. Tämä merkitsee sitä, että kaikki ulkoiset metalliosat on eristetty sähköisesti virtälähteestä. Tämä saavutetaan asettamalla ylimääräinen eristekerros sähköisten ja mekaanisten osien väliin. Kaksoiseristys merkitsee parempaa sähköturvallisuutta ja tekee koneen maadoituksen tarpeettomaksi.

### Sähköturvallisuus

- ♦ Varmista, että ketjusaha vastaa virtälähdettä. Jännite on mainittu luokituskilvessä.

### Tekniset tiedot

Laipan pituus	30 cm	35 cm	40 cm
Jännite (V)	230	230	230
Teho (W)	1300/1400/ 1600	1400/ 1600	1400/ 1600
Max. leikkauspituus (cm)	30	35	40
Ketjun nopeus (kuormittamaton, m/s)	8	8	8
Kokonaispaino (kg)	3.7	3.8	3.9
Öljyn määrä (ml)	180	180	180
Turvaluokitus	II	II	II

### YLEISKUVAUS (kuva A)

1. Virrankatkaisija
2. Lukitusnappi
3. Öljykorkki
4. Öljymäärän ilmaisim
5. Takapotkusuoja/ketjujarru
6. Ketjun suojus
7. Ketjun kuoripultti
8. Laippa
9. Ketju
10. Ketjun suoja
11. Kiintoavain

### KOKOAMINEN



Ennen kokoamista varmista, että kone on pois päältä eikä sitä ole liitetty virtälähteeseen.

### Ketjun voitelu (kuva A)

- ♦ Tämä on tehtävä aina, kun uusi ketju otetaan käyttöön. Ota uusi ketju pois muovipussista ja liota sitä ketjuöljyssä ainakin tunnin ajan ennen käyttöä. Käytä vain Black & Deckerin (tuotenumero A6027) ketjuöljyä.
- ♦ Ketjusahan voiteluun kannattaa käyttää aina samaa öljymerkkiä. Eri öljylaatujen sekoittaminen voi huonontaa öljyn laatua. Tämä voi lyhentää ketjusahan käyttöikä huomattavasti.
- ♦ Älä koskaan käytä jäteöljyä, paksua öljyä tai erittäin ohutta ompelukoneöljyä. Nämä öljyalaadut voivat vaurioittaa ketjusahaa.

### Laipan ja ketjun sovittaminen (kuvat B, C & D).



Käytä suojahansikkaita.

- ♦ Aseta saha tukevalle pinnalle.
- ♦ Löysennä ja irrota ketjun kuoripultti (7) (kuva C).
- ♦ Poista ketjun suojus (6).
- ♦ Laita ketju (9) laipan (8) päälle. Varmista, että ketjun leikkuehampaat ovat oikeinpäin (kuva B).
- ♦ Laita ketju laippaan ja vedä ketjua laipan takaa niin, että ketju menee kunnolla paikalleen.
- ♦ Laita ketju ja laippa sahaan. Laita ketju ohjauspyörään (12) laippa kiinnitystappeihin (13). Varmista, että liukunasta (16) menee kiristysreikä (17).
- ♦ Aseta ketjun suojus (6) sahaan.
- ♦ Sovita ketjun kuoripultti (7) paikalleen ja kiristä sormin.
- ♦ Kierrä ruuvia (14) (kuva D) myötäpäivään, kunnes ketju on kireällä. Varmista, että ketju on hyvin laipassa. Älä kiristä liikaa.
- ♦ Kiristä ketjun kuoripultti tiukasti mukana toimitetun ruuviavaimen avulla.

### Ketjun kireyden tarkistaminen ja säätäminen (kuva D).

Ketjun kireys on tarkistettava ennen käyttöä ja aina 10 minuutin käytön jälkeen.

- ♦ Vedä ketjua kuvan osoittamalla tavalla. Kireys on oikea, kun ketju palautuu paikalleen sen jälkeen, kun sitä on vedetty 3 mm laipasta. Ketju ei saa roikkua laipan alapuolella.

Huomio: Älä kiristä ketjua liikaa, sillä se aiheuttaa ylimääräistä kulumista ja lyhentää laipan ja ketjun käyttöikää.

Huomio: Tarkista uuden ketjun kireys useaan kertaan (irrota pistoke ensin virtalähteestä) 2 ensimmäisen käyttötunnin aikana, koska uusi ketju venyy hieman.

Ketjun kiristäminen:

- ◆ Kierrä ruuvia (14) myötöpäivään.

## KÄYTTÖ



Anna koneen käydä omaan tahtiinsa.

Älä ylikuormita sitä.

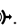
### Öljyn lisääminen säiliöön (kuva E)

- ◆ Irrota öljykorkki (3) ja täytä säiliö suositellulla ketjuöljyllä. Öljymäärä näkyy ilmaisimesta (4). Laita öljykorkki takaisin.
- ◆ Sammuta ketjusaha ja tarkista öljyn määrä ilmaisimesta säännöllisesti. Jos öljyä on alle 1/4, irrota sahan virtajohto ja lisää oikeanlaista öljyä.

### Automaattinen ketjujarru (kuvat F & G)

Tässä sahasa on automaattinen ketjujarru, joka pysäyttää ketjun 0,15 sekunnissa takapotkun sattuessa tai irrotettaessa ote virrankatkaisijasta. Testaa jarrun toiminta ennen jokaista käyttökertaa.

### Ketjujarrun asettaminen

- ◆ Varmista, että virtajohto on irrotettu pistorasiasta.
- ◆ Vedä takapotkusuojaa/ketjujarru (5) "päällä" asentoon .

Työkalu on nyt käyttövalmis.

### Potkusta aktivoituvan ketjujarrun toiminta

Takapotkun sattuessa vasen käsi koskettaa takapotkusuojaa/ketjujarrua työntäen sitä taaksepäin pysäyttäen ketjusahan 0,15 s:ssä.

### Liike-energiatoimisen ketjujarrun toiminta

Ketjujarru aktivoituu, jos takapotkusuoja osuu käyttäjän käteen. Se aktivoituu myös automaattisesti mahdollisen takapotkun sattuessa sahan omasta painosta tai sen keskipakoisvoimasta. Jarru siis aktivoituu sahan ollessa kaatoasennossa.

### Ketjujarrun testaus

- ◆ Laita työkalu tasaiselle alustalle ja pidä koneesta kiinni molemmiin käsiin. Varmista, että ketju ei kosketa maata ja käynnistä kone (ks. "Ketjusahan käynnistys").
- ◆ Vie vasenta kättä kohti kahvaa niin, että käsi koskettaa takapotkusuojaa/ketjujarrua ja työnnä sitä eteenpäin (kuva G). Ketjun pitäisi pysähtyä sekunnin murto-osassa.

Ketjujarrun nolla-asetus

- ◆ Noudata ketjujarrun asetusohjeita.

Huomautuksia:

- ◆ Ketjusaha ei käynnisty, jos takapotkusuoja/ketjujarru ei ole "päällä" asennossa.
- ◆ Moottorin tulee pysähtyä ennen uudelleen käynnistämistä.
- ◆ Jos ketju ei pysähdy välittömästi, ketju on kiristettävä (katso "Laipan ja ketjun asentaminen").

### Ketjusahan käynnistys (kuva A)

- ◆ Ota tukevasti kiinni ketjusahasta kummallakin kädellä. Työnnä lukituspainiketta (2) eteenpäin ja käynnistä painamalla virrankatkaisijaa (1).
- ◆ Kun moottori käynnistyy, irrota peukalo lukituspainikkeelta ja pidä tukevasti kiinni kahvasta.

Älä paina työkalua. Anna työkalun tehdä työ.

Sopeuta koneen nopeus sahauskeeseen saavuttaaksesi paremman ja turvallisemmän työskentelyn. Liiallinen voima venyttää ketjua.

Jos ketju tai laippa jumittuu:

- ◆ Kytke kone pois päältä.
- ◆ Irrota työkalun virtajohto pistorasiasta.
- ◆ Avaa sahattu lovi kiiloilla vapauttaaksesi laipan. Näin voit keventää laippaan kohdistuvaa rasitusta. Älä yritä kiskoa sahaa irti. Aloita sahaaminen uudesta kohdasta.

### Puiden kaataminen (kuvat H - J)

- ◆ Suunnittele poistumisreitti, sillä sahattu puu saattaa kaataa sinua kohti.
- ◆ Sahaa kolmasosa puun halkaisijasta (kuva H). Sahaa tämän jälkeen 45H°:n lovi puun kaatumissuuntaan päin. Näin vältät sahan juuttumisen.
- ◆ Sahaa lovi toiselta puolelta. Lopeta kuitenkin ennen kuin sahaat loven läpi (kuva I).

- ◆ Avaa lovi työntämällä yksi tai useampi kiila siihen ja kaada puu (kuva J).

### Pilkkominen (kuvat K - M)

Sahaustapa määräytyy tukin tuennan perusteella.

Käytä sahauspukkia aina, kun mahdollista.

Aloita sahaus aina siten, että saha on käynnissä ja kaatopiikit (15) on kiinni puussa (kuva K). Sahaa tukki poikki siirtämällä kaatopiikkejä puuta vasten.

### Kun puu on tuettuna koko pituudeltaan

- ◆ Sahaa alaspäin. Vältä kuitenkin maan koskettamista ketjulla, koska muuten ketju tylsyy nopeasti.

### Kun puu on tuettuna molemmista päistä

- ◆ Sahaa ensin 1/3 säleiden välttämiseksi. Sahaa sitten toiselta puolelta loppuun.

### Kun tukki on tuettuna yhdestä päästä

- ◆ Sahaa ensin toiselta puolelta 1/3 säleiden välttämiseksi. Sahaa sitten lovi toiselle puolelle.

### Mäessä (kuva L)

- ◆ Seiso aina ylämäen puolella.

### Sahauspukkia käytettäessä (kuva M)

Sahauspukin käyttö on suositeltavaa aina, kun se on mahdollista.

- ◆ Aseta puu vakaasti sahauspukille. Sahaa aina sahauspukin reunojen ulkopuolelta.

### HUOLTO (kuva N)

Säännöllinen huolto varmistaa työkalun pitkän ja tehokkaan käyttöiän. Seuraavat tarkistukset kannattaa tehdä säännöllisesti.

### Öljymäärä

Säiliön öljytaso ei saa laskea alle 1/4. Lisää öljyä tarvittaessa.

### Ketju ja laippa

- ◆ Irrota ketju ja laippa aina muutaman tunnin käytön jälkeen ja puhdista ne huolellisesti.
- ◆ Kun kokoat sahaa uudelleen, laippaa on käännettävä 180° ja hammaspyöränokka on rasvattava hammaspyörän voitelureiän (18) läpi. Näin laipan kiskot kuluvat tasaisesti.

### Sahan ketjun teroittaminen

Jotta työkalu toimisi parhaalla mahdollisella tavalla, ketjun hampaat on pidettävä terävinä.

Teroitinpaketissa on ohjeet tähän. Suosittelemme

Black & Deckerin teroituspaketin käyttämistä (saatavana Black & Deckerin valtuutetulta

huoltoliikkeeltä ja jälleenmyyjiltä).

### Kuluneiden ketjujen vaihtaminen

Vaihtoketjuja on saatavana Black & Deckerin

valtuutetuista huoltoliikkeistä ja jälleenmyyjiltä.

Käytä aina vain alkuperäisiä varaosia.

### Sahan ketjun terävyys

Leikkuupinnat tylsyvät heti, jos ne koskettavat maata tai naulaa sahattaessa.

## VIANMÄÄRITYS

Jos työkalu ei toimi oikein, tarkista seuraavat seikat.

Vika	Mahdollinen syy	Toimenpide
Työkalu ei käynnisty	Sulake palanut. Maadoituskytkin on lauennut. Virtajohtoa ei ole kytketty.	Vaihda sulake. Nollaa maadoituskytkin. Tarkista virransaanti.
Työkalu ei käynnisty - lukituspainike ei liiku.	Takapotkusuoja/ketjujarru	Nollaa takapotkusuoja/ketjujarru.
Ketju ei pysähdy heti, kun työkalun virta katkaistaan.	Ketju on liian löysällä.	Tarkista ketjun kireys.
Laippa/ketju näyttää olevan kuuma/savuavan.	Öljysäiliö on tyhjä. Ketju on liian kireällä. Laipan nokkapyörä vaatii rasvaamista.	Tarkista öljyn määrä. Tarkista ketjun kireys.

## Ketjun kireys

- ◆ Tarkista ketjun kireys säännöllisesti.

## Mitä tehdä, jos ketjusaha vaatii korjausta

Ketjusaha on asianmukaisten turvaohjeiden mukainen Korjauksia saa tehdä vain Black & Deckerin valtuuttama huoltoliike, joka käyttää alkuperäisosia, muutoin koneen käyttäjälle voi aiheuta vaarallisia tilanteita. Suosittelemme tämän käyttöohjeen säilyttämistä turvallisessa paikassa.

## TARVIKKEET

Tuotenumero	Kuvaus
A6154	300 mm / 12" ketju
A6155	350 mm / 14" ketju
A6156	400 mm / 16" ketju
A6039	Teroitusarja
A6027	0,5 l ketjuöljyä

## YMPÄRISTÖ



Kun koneesi on käytetty loppuun, älä heitä sitä tavallisten roskien mukana pois, vaan vie se paikkakuntasi kierrätyskeskukseen tai jätä valtuutettuun Black & Deckerin huoltoliikkeeseen.

## Korjaukset / varaosat

Mikäli koneeseen tulee vikaa, jätä se aina Black & Deckerin valtuuttamaan huoltoliikkeeseen korjattavaksi (tiedot löytyvät uusimmasta tuoteluettelostamme tai ottamalla yhteyttä Black & Decker Oy:hyn). Varaosia myyvät valtuutetut Black & Deckerin huoltoliikkeet, ja heiltä voi myös pyytää kustannusarvion koneen korjauksesta.

Tiedot valtuutetuista huoltoliikkeistä löytyvät myös internetistä osoitteesta [www.2helpU.com](http://www.2helpU.com) sekä kotisivuiltamme [www.blackdecker.fi](http://www.blackdecker.fi).

## Takuu

Black & Decker Oy takaa, ettei koneessa ollut materiaali- ja/tai valmistusvikaa silloin, kun se toimitettiin ostajalle. Takuu on lisäys kuluttajan laillisiin oikeuksiin eikä vaikuta niihin. Takuu on voimassa Euroopan Unionin jäsenmaissa ja Euroopan vapaakauppa-alueella (EFTA).

Mikäli Black & Decker -kone hajoaa materiaali- ja/tai valmistusvirheen tai teknisten tietojen epätarkkuuden vuoksi 24 kk:n kuluessa ostopäivästä, Black & Decker korjaa koneen ilman kustannuksia ostajalle tai vaihtaa sen uuteen Black & Decker Oy:n valinnan mukaan.

Takuu ei kata vikoja, jotka johtuvat koneen

- ◆ normaalista kulumisesta
- ◆ ylikuormituksesta, virheellisestä käytöstä tai hoidosta
- ◆ vahingoittamisesta vieraalla esineellä tai aineella tai onnettomuustapauksessa.

Takuu ei ole voimassa, mikäli konetta on korjannut joku muu kuin Black & Deckerin valtuuttama huoltoliike.

Edellytyksenä takuun saamiselle on, että ostaja jättää koneen ja ostokuitin jälleenmyyjälle tai valtuutetulle huoltoliikkeelle viimeistään 2 kuukauden kuluessa vian ilmenemisestä. Tiedot valtuutetuista huoltoliikkeistä saa ottamalla yhteyttä Black & Decker Oy:hyn sekä internetistä osoitteesta [www.2helpU.com](http://www.2helpU.com), jossa on myös takuuehdot.

## CE-VAATIMUSTENMUKAISUUSVAKUUTUS



GK1330/GK1430/GK1435/GK1440/  
GK1630/1635/GK1640

Black & Decker vakuuttaa, että nämä työkalut ovat 98/37/EC, 89/336/EEC, 73/23/EEC, EN 50144, EN 55014

2000/14/EC, ketjusaha ≤ 1600 W, Annex V mukaiset.



Melutaso, mitattu 2000/14/EC:n mukaisesti:

$L_{pA}$	(äänenpaine)	dB(A)	88
$L_{WA}$	(ääniteho)	dB(A)	101
$L_{WA}$	(taattu)	dB(A)	103



Käytä kuulosuojaimia, jos melutaso ylittää 85 dB(A).

Tärinätaajuuden painotettu geometrinen keskiarvo EN 50144 mukaisesti:

3,5 m/s<sup>2</sup>

**TÜV Rheinland**

Cert. No.  
BM981084801

Kevin Hewitt  
Director of Consumer Engineering  
Spennymoor, County Durham DL16 6JG,  
United Kingdom

# ΑΛΥΣΟΠΡΙΟΝΟ

## Γνωρίστε το αλυσοπριονό σας



**Προσοχή!** Κατά τη χρήση ηλεκτρικών εργαλείων, θα πρέπει πάντα να λαμβάνονται οι βασικές προφυλάξεις ασφαλείας, για τον περιορισμό του κινδύνου πυρκαγιάς, ηλεκτροπληξίας και σωματικών βλαβών.



Διαβάστε προσεκτικά αυτό το εγχειρίδιο χρήσης, ακολουθώντας όλες τις συνιστώμενες οδηγίες ασφαλείας πριν, κατά την διάρκεια και μετά την χρήση του αλυσοπριονίου. Διατηρείτε το αλυσοπριονό σας σε καλή κατάσταση. Γνωρίστε καλύτερα τους διακόπτες στο αλυσοπριονό πριν προσπαθήσετε να το λειτουργήσετε, αλλά προ παντός να γνωρίζετε πώς να το θέσετε εκτός λειτουργίας σε περίπτωση έκτακτης ανάγκης. Φυλάξτε αυτό το εγχειρίδιο χρήσης και όλα τα άλλα έγγραφα που παρέχονται με αυτό για μελλοντική αναφορά.

## ΟΔΗΓΙΕΣ ΑΣΦΑΛΕΙΑΣ

- ♦ Γνωρίστε το αλυσοπριονό σας. Διαβάστε προσεκτικά αυτό το εγχειρίδιο χρήσης και γνωρίστε καλύτερα το αλυσοπριονό, ιδιαίτερα όσον αφορά στην κοπή στρογγυλού ξύλου. Συστήνεται όσοι χρησιμοποιούν αλυσοπριονό για πρώτη φορά να εξασκηθούν στην κοπή κορμών πάνω σε καβαλέτο ή ικρίωμα.
- ♦ Αποφεύγετε επικίνδυνα περιβάλλοντα. Διατηρείτε τον χώρο εργασίας καθαρό και φροντίστε να μην υπάρχουν εμπόδια. Φροντίστε ο χώρος εργασίας να είναι καλά φωτισμένος. Συστήνεται να χρησιμοποιείτε ένα καβαλέτο ή ικρίωμα όποτε είναι δυνατό.



Μην κόβετε βρεγμένο ξύλο και μην χρησιμοποιείτε το αλυσοπριονό όταν βρέχει.

- ♦ Μην αφήνετε άλλα άτομα να πλησιάζουν όταν το αλυσοπριονό είναι σε λειτουργία.

Μην επιτρέπεται σε παιδιά, άλλα άτομα ή ζώα κοντά στο αλυσοπριονό όταν το χρησιμοποιείτε.

- ♦ Διατηρείτε το αλυσοπριονό σας σε καλή κατάσταση όταν δεν το χρησιμοποιείτε. Όταν φυλάσσετε το αλυσοπριονό σας για μεγάλο χρονικό διάστημα πρέπει να αφαιρείτε την αλυσίδα και την μπάρα οδηγού και να τα φυλάσσετε μέσα σε λάδι. Φυλάξτε όλα τα μέρη του αλυσοπριονίου σε ξηρό, ασφαλή χώρο μακριά από παιδιά. Συνιστάται να στραγγίσετε το δοχείο λαδιού πριν από την φύλαξη.
- ♦ Μην ζορίζετε το αλυσοπριονό σας. Θα λειτουργήσει καλύτερα και ασφαλέστερα εάν χρησιμοποιηθεί σύμφωνα με της προδιαγραφές του.



Προστατευτικά ρούχα. Να φοράτε στενά και προστατευτικά ρούχα συμπεριλαμβανομένου κράνους ασφαλείας με προσωπίδα/ προστατευτικά γυαλιά, ωτασπίδες, υποδήματα ασφαλείας, προστατευτικές φόρμες και γερά δερμάτινα γάντια.

- ♦ Μη κακομεταχειρίζεστε το καλώδιο. Ποτέ μη μεταφέρετε το αλυσοπριονό κρατώντας το από το καλώδιο και μην το τραβάτε από το καλώδιο για να το βγάλετε από την πρίζα. Φροντίστε το καλώδιο να παραμένει μακριά από τη θερμότητα, τα λάδια και από αιχμηρές ακμές. Ελέγξτε το καλώδιο συχνά για τυχόν φθορές.
- ♦ Στηρίξτε το τεμάχιο χρησιμοποιώντας σφιγκτήρες ή τάκους. Βεβαιωθείτε ότι χρησιμοποιείτε και τα δύο χέρια όταν χειρίζεστε το αλυσοπριονό.



Βγάλετε το βύσμα από την πρίζα πριν αλλάξετε θέση εργασίας, ρυθμίστε, ακονίστε ή καθαρίστε, αλλάξτε κάποιο εξάρτημα όπως την αλυσίδα ή αν το καλώδιο μπλεχτεί ή φθαρεί.

- ♦ Κλειδιά ρύθμισης. Συνηθίστε να ελέγχετε ότι τα κλειδιά ρύθμισης δεν βρίσκονται πάνω στο αλυσοπριονό πριν ξεκινήσετε.

- ◆ Να χρησιμοποιείτε καλώδιο προέκτασης τύπου H07RN-F 2 x 1mm<sup>2</sup>, ως ελάχιστο.
- ◆ Να είστε πάντα προσεκτικοί. Μη χρησιμοποιείτε το αλυσοπρίονο όταν είστε κουρασμένοι.
- ◆ Ελέγχετε εάν το εργαλείο σας έχει βλάβες. Πριν από περαιτέρω χρήση του αλυσοπρίονου, πρέπει να ελεγχθεί προσεκτικά αν ένας προφυλακτήρας ή άλλο μέρος που έχει φθαρεί μπορεί να λειτουργήσει κανονικά και να επιτελέσει τον σκοπό για τον οποίο προορίζεται. Ελέγξτε ότι τα κινητά μέρη είναι ευθυγραμμισμένα, ότι δεν έχουν κολλήσει, ότι δεν έχουν σπάσει κομμάτια, ότι είναι σωστά συναρμολογημένα και ότι πληρούνται όλες οι συνθήκες για τη σωστή λειτουργία του. Ο προφυλακτήρας ή άλλο κατεστραμμένο μέρος πρέπει να επισκευαστεί σωστά ή να αντικατασταθεί από εξουσιοδοτημένο κέντρο επισκευών. Μη χρησιμοποιείτε το αλυσοπρίονο, εάν ο διακόπτης δεν μπορεί να τον θέσει σε λειτουργία ή εκτός λειτουργίας.



Προσοχή! Η χρήση εξαρτημάτων ή προσηκίων που δεν συνιστώνται στις οδηγίες αυτές εγκυμονεί κίνδυνο τραυματισμού.

- ◆ Για κάθε είδος κοπής, να κρατάτε γερά το πριόνι και με τα δύο χέρια, με τους αντίχειρες και τα δάχτυλα να περικλείουν την λαβή του πριονιού. Μην το αφήσετε από τα χέρια σας προτού το αλυσοπρίονο σταματήσει να κινείται.
- ◆ Να είστε σίγουροι ότι πατάτε γερά και σχεδιάστε μια ασφαλή έξοδο από το δέντρο ή τα κλαδιά του καθώς θα πέφτει.
- ◆ Χρησιμοποιήστε σφήνες για να ελέγξετε καλύτερα την κοπή και να αποφύγετε την εμπλοκή της αλυσίδας και της μπάρας οδηγού στην εγκοπή.
- ◆ Κρατήστε όλα τα μέρη του σώματός σας και της ένδυσής σας μακριά από την αλυσίδα όταν το αλυσοπρίονο είναι σε λειτουργία. Πριν το θέσετε σε λειτουργία βεβαιωθείτε ότι το αλυσοπρίονο δεν έρχεται σε επαφή με κάτι. Μην ακουμπήσετε ή προσπαθήσετε να σταματήσετε την κινούμενη αλυσίδα με το χέρι.

- ◆ Να μεταφέρετε το αλυσοπρίονο προσεκτικά αποσυνδεδεμένο από την παροχή ρεύματος και με την μπάρα οδηγού και την αλυσίδα προς τα πίσω και στην θήκη τους.
- ◆ Διατηρείτε καθαρό το αλυσοπρίονο. Μην αφήσετε να σχηματιστούν στρώματα σκόνης, λαδιού ή πριονιδιών στο αλυσοπρίονο. Προσέξτε ιδιαίτερα τις σχισμές εισόδου και εξόδου του αέρα. Αυτές δεν πρέπει ποτέ να φραχθούν. Καθαρίστε το αλυσοπρίονο με ένα στεγνό πανί αλλά μην χρησιμοποιήσετε διαλυτικά ή καθαριστικά υγρά.
- ◆ Φροντίδα της αλυσίδας του πριονιού. Διατηρείτε την αλυσίδα αιχμηρή και σφιχτή πάνω στην μπάρα οδηγού. Βεβαιωθείτε ότι η αλυσίδα και η μπάρα οδηγού είναι καθαρές και καλά λαδωμένες.



Προσέξτε το λάκτισμα της μηχανής Το λάκτισμα της μηχανής είναι η κίνηση προς τα πάνω / προς τα πίσω της μπάρας οδηγού που μπορεί να προκύψει όταν η άκρη της αλυσίδας έρθει σε επαφή αναπάντεχα με ένα αντικείμενο. Να κρατάτε το αλυσοπρίονο γερά και με τα δύο χέρια όταν λειτουργεί το μοτέρ. Να κρατάτε γερά τις λαβές με τους αντίχειρες και τα δάχτυλα και να κοιτάτε προσεκτικά τί κόβετε.

Το λάκτισμα μηχανής μπορεί να προκληθεί:

- ◆ Αν χτυπήσετε κλαδιά ή άλλα αντικείμενα κατά λάθος με την άκρη του πριονιού ενώ κινείται η αλυσίδα.
- ◆ Αν χτυπήσετε μέταλλο, τσιμέντο ή άλλο σκληρό υλικό που βρίσκεται κοντά στο ξύλο ή θαμμένο μέσα στο ξύλο.
- ◆ Αν η αλυσίδα δεν είναι αιχμηρή ή αν είναι χαλαρή.
- ◆ Αν κόβετε πάνω από το ύψος του ώμου.
- ◆ Αν δεν προσέχετε όταν κρατάτε ή καθοδηγείτε το πριόνι κατά την διάρκεια της κοπής.
- ◆ Αν δεν φτάνετε καλά το σημείο που θέλετε να κόψετε. Φροντίστε πάντοτε να έχετε την κατάλληλη στάση και να διατηρείτε την ισορροπία σας και να μην προσπαθήσετε να κόψετε σημεία που δεν φτάνετε καλά..
- ◆ Μην προσπαθήσετε να το εισάγετε σε παλιότερη κοπή καθώς μπορεί να προκληθεί λάκτισμα μηχανής.

Κάντε μια νέα κοπή κάθε φορά.

- ◆ Συνιστάται να μην προσπαθήσετε να λειτουργήσετε το αλυσοπρίνο όταν στέκεστε πάνω σε δέντρο, κινητή σκάλα ή άλλες ασταθείς επιφάνειες. Αν αποφασίσετε να το κάνετε, να γνωρίζετε ότι αυτές οι θέσεις είναι πάρα πολύ επικίνδυνες.
- ◆ Όταν κόβετε ένα κλαδί που είναι υπό πίεση, να προσέχετε για όταν θα αναπηδήσει ώστε να μην σας χτυπήσει όταν απελευθερωθεί από την πίεση.
- ◆ Μην κόβετε:
  - ◆ Ετοιμη ξυλεία.
  - ◆ Το έδαφος.
  - ◆ Φράχτες από συρματόπλεγμα, καρφιά, κτλ.
  - ◆ Μικρούς θάμνους και δενδρύλλια γιατί τα λεπτά υλικά μπορεί να πιαστούν στην αλυσίδα και να τιναχτούν προς εσάς ή να σας κάνουν να χάσετε την ισορροπία σας.
- ◆ Μη χρησιμοποιείτε το αλυσοπρίνο πάνω από το ύψος του ώμου σας.
- ◆ Βεβαιωθείτε πως υπάρχει κάποιος κοντά (αλλά σε απόσταση ασφαλείας) για την περίπτωση ατυχήματος.
- ◆ Αν για οποιονδήποτε λόγο πρέπει να ακουμπήσετε την αλυσίδα, βεβαιωθείτε ότι το αλυσοπρίνο είναι αποσυνδεδεμένο από την παροχή ρεύματος.
- ◆ Ο θόρυβος αυτού του προϊόντος μπορεί να υπερβεί τα 85 dB(A). Επομένως συνιστούμε να λάβετε τα απαραίτητα μέτρα για την προστασία της ακοής σας.

## Προειδοποιητικά σύμβολα πάνω στο αλυσοπρίνο.



Διαβάστε προσεκτικά ολόκληρο το εγχειρίδιο.



Μην χρησιμοποιείτε το αλυσοπρίνο σε υγρές συνθήκες και μην το εκθέτετε στην βροχή.



Να φοράτε πάντα προστατευτικά γυαλιά και ωτασπίδες.



Να βγάζετε πάντα το βύσμα από την πρίζα πριν ελέγξετε ένα φθαρμένο καλώδιο. Προσέξτε να μην χρησιμοποιήσετε το αλυσοπρίνο αν το καλώδιο έχει φθαρεί ή καταστραφεί.



Για να εξασφαλίσετε την συνεχή ασφαλή λειτουργία, ελέγξτε την τάση της αλυσίδας όπως περιγράφεται σε αυτό το εγχειρίδιο μετά από κάθε 10 λεπτά χρήσης, και ρυθμίστε το στα 3 χιλιοστά όπως απαιτείται.

## Διπλή μόνωση



Το αλυσοπρίνο έχει διπλή μόνωση. Δηλαδή όλα τα εξωτερικά μεταλλικά τμήματα είναι ηλεκτρικά μονωμένα από την παροχή ρεύματος. Αυτό επιτυγχάνεται με την τοποθέτηση ενός επιπλέον μονωτικού φράγματος μεταξύ των ηλεκτρικών και μηχανικών μερών. Με την διπλή μόνωση υπάρχει μεγαλύτερη ηλεκτρική ασφάλεια και καθιστά περιττή την ανάγκη γείωσης του μηχανήματος.

## Ηλεκτρική ασφάλεια

- ◆ Βεβαιωθείτε ότι το αλυσοπρίνο είναι κατάλληλο για την παροχή ρεύματός σας. Η τάση αναγράφεται στην πινακίδα χαρακτηριστικών.

## Τεχνικά χαρακτηριστικά

Μήκος μπάρας	30 cm	35 cm	40 cm
Τάση παροχής ρεύματος (V)	230	230	230
Ονομαστική ισχύς (W)	1300/1400/ 1600	1400/ 1600	1400/ 1600
Μέγιστο μήκος κοπής (cm)	30	35	40
Ταχύτητα αλυσίδας (χωρίς φορτίο m/s)	8	8	8
Βάρος (kg)	3.7	3.8	3.9
Χωρητικότητα λαδιού (ml)	180	180	180
Κατηγορία ασφαλείας	II	II	II

**ΓΕΝΙΚΗ ΠΕΡΙΓΡΑΦΗ (εικ. Α)**

1. Διακόπτης on/off
2. Μπουτόν απασφάλισης
3. Πώμα λαδιού
4. Ενδειξη στάθμης λαδιού
5. Πρόσθιος προφυλακτήρας / φρένο αλυσίδας
6. Κάλυμμα αλυσίδας
7. Βίδα καλύμματος αλυσίδας
8. Μπάρα οδηγού
9. Αλυσίδα
10. Θήκη αλυσίδας
11. Κλειδί

**ΣΥΝΑΡΜΟΛΟΓΗΣΗ**

Πριν από τη συναρμολόγηση, βεβαιωθείτε ότι το εργαλείο είναι σβηστό και ότι το φως του δεν είναι στην πρίζα.

**Λάδιμα της αλυσίδας (εικ. Α)**

- ◆ Πρέπει να το κάνετε όποτε χρησιμοποιείτε μια νέα αλυσίδα για πρώτη φορά. Βγάλτε την νέα αλυσίδα από την πλαστική σακούλα και να την μουσκέψετε σε λάδι για αλυσίδες για τουλάχιστον μια ώρα πριν την χρησιμοποιήσετε. Χρησιμοποιείτε μόνο λάδι για αλυσίδες Black & Decker (κωδικός: A6027).
- ◆ Συνιστάται να χρησιμοποιείτε μόνο μια μάρκα λαδιού σε όλη την διάρκεια ζωής της αλυσίδας σας καθώς μίγματα διαφορετικών λαδιών μπορεί να μειώσουν την ποιότητα του λαδιού, με αποτέλεσμα την δραματική μείωση της αλυσίδας.
- ◆ Ποτέ μην χρησιμοποιείτε χρησιμοποιημένα λάδια, παχύ λάδι ή πολύ λεπτόρευστο λάδι ραπτομηχανής. Μπορεί να προκαλέσουν βλάβη στο αλυσοπρίονο σας.

**Τοποθέτηση της μπάρας οδηγού και της αλυσίδας (εικ. Β, C & D)**

Φορέστε προστατευτικά γάντια.

- ◆ Τοποθετήστε το πριόνι σε σταθερή επιφάνεια.
- ◆ Χαλαρώστε και αφαιρέστε την βίδα του καλύμματος της αλυσίδας (7) (εικ. C).

- ◆ Αφαιρέστε το κάλυμμα της αλυσίδας (6).
- ◆ Τοποθετήστε την αλυσίδα (9) πάνω στην μπάρα οδηγού (8), και βεβαιωθείτε πως οι λεπίδες στο πάνω τμήμα της μπάρας οδηγού είναι στραμμένες προς τα εμπρός (εικ. Β).
- ◆ Οδηγήστε την αλυσίδα γύρω από την μπάρα οδηγού και τραβήξτε την για να δημιουργήσετε μια θηλιά στο πίσω μέρος της μπάρας οδηγού.
- ◆ Τοποθετήστε την αλυσίδα και την μπάρα οδηγού πάνω στο πριόνι. Οδηγήστε την αλυσίδα γύρω από την οδόντωση κίνησης (12). Τοποθετήστε την μπάρα οδηγού πάνω στα πιρτσίνια (13). Βεβαιωθείτε ότι το παξιμάδι στηρίγματος ολισθήσης (16) εφαρμόζει στην οπή τάνυσης (17).
- ◆ Τοποθετήστε το κάλυμμα της αλυσίδας (6) πάνω στο πριόνι.
- ◆ Τοποθετήστε την βίδα του καλύμματος της αλυσίδας (7) και σφίξτε την με τα δάκτυλά σας.
- ◆ Στρέψτε την βίδα (14) (εικ. D) προς τα δεξιά μέχρι να σφίξει η αλυσίδα. Βεβαιωθείτε ότι η αλυσίδα έχει εφαρμόσει καλά γύρω από την μπάρα οδηγού. Μην το σφίξετε πάρα πολύ.
- ◆ Σφίξτε τη βίδα του καλύμματος της αλυσίδας χρησιμοποιώντας το παρεχόμενο κλειδί.

**Ελεγχος και ρύθμιση της τάνυσης της αλυσίδας (εικ. D)**

Να ελέγχετε την τάνυση της αλυσίδας πριν από την χρήση και μετά από κάθε 10 λεπτά χρήσης.

- ◆ Τραβήξτε ελαφρά την αλυσίδα όπως φαίνεται στην εικόνα. Η τάνυση είναι σωστή όταν η αλυσίδα αναπηδήσει αφού έχει τραβηχτεί 3 mm από την μπάρα οδηγού. Δεν πρέπει να υπάρχει «κοιλιά» μεταξύ της μπάρας οδηγού και της αλυσίδας στην κάτω πλευρά.

Σημείωση: Μην σφίγγετε υπερβολικά την αλυσίδα καθώς αυτό μπορεί να προκαλέσει υπερβολική φθορά και μείωση της ζωής της μπάρας και της αλυσίδας.

Σημείωση: Όταν η αλυσίδα είναι καινούρια, να ελέγχετε συχνά την τάνυση (αφού το αποσυνδέσετε από την παροχή ρεύματος) κατά τις πρώτες 2 ώρες χρήσης καθώς οι νέες αλυσίδες τεντώνονται ελαφρώς.

Για να αυξήσετε την τάνυση:

- ◆ Στρέψτε την βίδα (14) προς τα δεξιά.

## ΧΡΗΣΗ



Αφήστε το εργαλείο να λειτουργήσει στο δικό του ρυθμό και μην το υπερφορτώνετε.


### Πλήρωση του δοχείου με λάδι (εικ. Ε)

- ◆ Αφαιρέστε το πώμα λαδιού (3) και γεμίστε το δοχείο με το συνιστώμενο λάδι για αλυσίδες. Μπορείτε να δείτε το επίπεδο του λαδιού στην σχισμή ένδειξης (4). Τοποθετήστε πάλι το πώμα λαδιού.
- ◆ Κατά περιόδους να θέτετε εκτός λειτουργίας το μηχάνημα και να ελέγχετε το λάδι στην σχισμή αν είναι γεμάτο λιγότερο από ένα τέταρτο, αποσυνδέστε το αλυσοπρίο από την πρίζα και αναπληρώστε με το σωστό λάδι.

### Φρένο αυτόματης παύσης της αλυσίδας (εικ. F & G)

Το εργαλείο αυτό διαθέτει ένα φρένο αυτόματης παύσης της αλυσίδας που σταματά την αλυσίδα εντός 150 ms κάθε φορά που απελευθερώνετε την πίσω σκανδάλη, ή αν προκύψει λάκτισμα της μηχανής. Το φρένο αυτό πρέπει να δοκιμάζεται πριν από κάθε χρήση.

### Ρύθμιση του φρένου της αλυσίδας

- ◆ Βεβαιωθείτε ότι το εργαλείο δεν είναι συνδεδεμένο στην πρίζα.
- ◆ Τραβήξτε τον πρόσθιο προφυλακτήρα (5) στην θέση «ρύθμισης» .

Το εργαλείο είναι έτοιμο για χρήση.

### Λειτουργία του φρένου αλυσίδας κατά του λακτίσματος της μηχανής

Σε περίπτωση λακτίσματος της μηχανής, το αριστερό σας χέρι έρχεται σε επαφή με τον πρόσθιο προφυλακτήρα, πιέζοντάς τον προς τα πίσω, και σταματά το εργαλείο εντός 150 ms.

### Λειτουργία του φρένου αλυσίδας όταν ενεργοποιείται από την αδράνεια

Το φρένο της αλυσίδας ενεργοποιείται όταν ο πρόσθιος προφυλακτήρας πιέζεται προς τα εμπρός, είτε με το πίσω μέρος του χεριού του χρήστη είτε από το δικό του βάρος.

Το πλεονέκτημα του φρένου αδράνειας είναι ότι ενεργοποιείται από μεγάλο λάκτισμα μηχανής, π.χ. όταν το πριόνι χτυπά μέταλλο, ακόμα και αν το χέρι του χρήστη δεν έρθει σε επαφή με τον πρόσθιο προφυλακτήρα, δηλαδή όταν το πριόνι είναι στην θέση κοπής.

### Δοκιμή του φρένου αλυσίδας κατά του λακτίσματος της μηχανής

- ◆ Πιάστε γερά το εργαλείο και με τα δύο χέρια πάνω σε μια σταθερή επιφάνεια – βεβαιωθείτε ότι η αλυσίδα δεν ακουμπάει στο έδαφος και θέστε το σε λειτουργία (βλ. «Πώς να θέστε το αλυσοπρίο σε λειτουργία»).
- ◆ Περιστρέψτε το αριστερό σας χέρι προς τα εμπρός γύρω από την πρόσθια λαβή ώστε το πίσω μέρος του χεριού σας να έρχεται σε επαφή με τον πρόσθιο προφυλακτήρα και να τον σπρώχνει προς τα πίσω(εικ. G). Η αλυσίδα πρέπει να σταματήσει σε δέκα δευτερολέπτου.

Επαναρύθμιση μετά από την λειτουργία του φρένου αλυσίδας.

- ◆ Ακολουθήστε τις οδηγίες σε ότι αφορά τη ρύθμιση του φρένου αλυσίδας.

Σημειώσεις:

- ◆ Δεν είναι δυνατόν να τεθεί σε λειτουργία το εργαλείο αν ο πρόσθιος προφυλακτήρας δεν είναι στην θέση «ρύθμισης».
- ◆ Μην επανεκκινήστε το εργαλείο εάν δεν ακούσετε ότι ο κινητήρας έχει ακινητοποιηθεί τελείως.
- ◆ Αν η αλυσίδα δεν ακινητοποιηθεί αμέσως τότε αυτό σημαίνει ότι χρειάζεται τάνυση (βλ. «Τοποθέτηση της μπάρας οδηγού και της αλυσίδας»).

### Πώς να θέστε το εργαλείο σε λειτουργία (εικ. Α).

- ◆ Κρατήστε γερά το αλυσοπρίο και με τα δυο χέρια. Πιέστε το κουμπί απασφάλισης (2) προς τα εμπρός και πιέστε τον διακόπτη on/off (1) για να τεθεί σε λειτουργία.
- ◆ Όταν εκκινήσει το μοτέρ, απομακρύνετε τον αντίχειρά σας από το μπουτόν ασφάλισης και πιάστε γερά την λαβή.

Μην ζορίζετε το εργαλείο – αφήστε το να κάνει την δουλειά. Θα λειτουργήσει καλύτερα και ασφαλέστερα στην ταχύτητα για την οποία έχει σχεδιαστεί. Η υπερβολική δύναμη θα τεντώσει την αλυσίδα.

Αν η αλυσίδα ή η μπάρα κολλήσουν:

- ◆ Θέστε εκτός λειτουργίας το εργαλείο.
- ◆ Αποσυνδέστε το εργαλείο από την παροχή ρεύματος.
- ◆ Ανοίξτε την κοπή με σφήνες για να μειώσετε την ένταση της μπάρας οδηγού. Μην προσπαθήσετε να τραβήξετε απότομα το πριόνι για να το απελευθερώσετε. Ξεκινήστε μια νέα κοπή.

### **Κοπή δέντρων (εικ. Η - J)**

- ◆ Σχεδιάστε μια ασφαλή έξοδο από το δέντρο ή τα κλαδιά του καθώς θα πέφτει.
- ◆ Κόψτε το ένα τρίτο του διαμέτρου του δέντρου (εικ. Η). Επειτα κόψτε από πάνω για να δημιουργήσετε μια εγκοπή περίπου 45°. Με αυτόν τον τρόπο θα αποφύγετε να πιαστεί το πριόνι.
- ◆ Κάντε μια μονή κοπή στην απέναντι πλευρά, αλλά σταματήστε πριν κόψτε την εγκοπή (εικ. Ι).
- ◆ Τοποθετήστε μια ή περισσότερες σφήνες σε αυτήν την κοπή για να την ανοίξετε και να κάνετε το δέντρο να πέσει (εικ. J).

### **Κοπή δέντρου σε τεμάχια (εικ. Κ - Μ)**

Ο τρόπος που θα κόψετε εξαρτάται από τον τρόπο που στηρίζεται ο κορμός. Να χρησιμοποιείτε καβαλέτο όποτε είναι δυνατόν. Να ξεκινάτε να κόβετε πάντα με την αλυσίδα σε λειτουργία και τον ακιδωτό προφυλακτήρα (15) σε επαφή με το ξύλο (εικ. Κ). Για να ολοκληρώσετε την κοπή χρησιμοποιείτε την περιστροφική κίνηση του ακιδωτού προφυλακτήρα πάνω στο ξύλο.

### **Όταν στηρίζεται σε όλο το μήκος του**

- ◆ Κάντε μια κοπή προς τα κάτω, αποφεύγοντας να ακουμπήσετε το έδαφος καθώς αυτό θα στομώσει το πριόνι πολύ γρήγορα.

### **Όταν στηρίζεται στα δύο άκρα**

- ◆ Πρώτα, κόψτε κατά ένα τρίτο προς τα κάτω για να αποφύγετε την δημιουργία σχιζών, και δεύτερον, κόψτε πάλι έως να συναντήσετε την πρώτη κοπή.

### **Όταν στηρίζεται στο ένα άκρο**

- ◆ Πρώτα, κόψτε κατά ένα τρίτο προς τα πάνω για να αποφύγετε την δημιουργία σχιμών, και δεύτερον, κόψτε προς τα κάτω για να αποφύγετε την δημιουργία σχιμών.

### **Σε κλίση (εικ. L)**

- ◆ Να στέκεστε πάντα στην ανηφορική πλευρά.

### **Όταν χρησιμοποιείτε καβαλέτο (εικ. Μ).**

Συνιστάται όποτε είναι δυνατόν.

- ◆ Τοποθετήστε τον κορμό σε μια σταθερή θέση. Να κόβετε πάντα από την εξωτερική πλευρά των στηριγμάτων του καβαλέτου.

### **ΣΥΝΤΗΡΗΣΗ (εικ. Ν)**

Η τακτική συντήρηση εξασφαλίζει μια μεγάλη αποτελεσματική ζωή για το εργαλείο.

Συνιστάται να πραγματοποιείτε τους ακόλουθους ελέγχους σε τακτική βάση.

#### **Στάθμη λαδιού**

Η στάθμη στο δοχείο δεν πρέπει να πέφτει κάτω από το ένα τέταρτο γεμάτο. Γεμίστε αν είναι χαμηλή.

#### **Αλυσίδα και μπάρα οδηγού**

- ◆ Μετά από μερικές ώρες χρήσης, αφαιρέστε την αλυσίδα και την μπάρα οδηγού και καθαρίστε τις καλά.
- ◆ Όταν το συναρμολογείτε πάλι, η μπάρα οδηγού πρέπει να στραφεί κατά 180° και η άκρη της οδόντωσης να λιπανθεί μέσω της οπής λίπανσης της οδόντωσης (18). Ετσι εξασφαλίζεται η ομοιόμορφη κατανομή της φθοράς γύρω από τις ράβδους της μπάρας οδηγού.

#### **Ακόνισμα της αλυσίδας του πριονιού.**

Αν θέλετε την καλύτερη δυνατή απόδοση από το εργαλείο είναι σημαντικό να διατηρείτε την οδόντωση της αλυσίδας ακονισμένη. Οι οδηγίες για αυτήν την διαδικασία βρίσκονται στο πακέτο του ακονιστή. Για τον σκοπό αυτό συνιστάται να αγοράσετε το σετ ακονίσματος αλυσίδας πριονιού της Black & Decker (διατίθεται στα εξουσιοδοτημένα κέντρα επισκευών και επιλεγμένους αντιπροσώπους).

**Αντικατάσταση φθαρμένων αλυσίδων**

Τα εξουσιοδοτημένα κέντρα επισκευών της Black & Decker διαθέτουν ανταλλακτικές αλυσίδες. Να χρησιμοποιείτε πάντα γνήσια ανταλλακτικά.

**Αιχμηρότητα της αλυσίδας του πριονιού.**

Οι λεπίδες θα στομώσουν αμέσως αν ακουμπήσουν το έδαφος ή ένα καρφί κατά την διάρκεια της κοπής.

**Τάνυση της αλυσίδας του πριονιού.**

- ♦ Να ελέγχετε τακτικά την τάνυση της αλυσίδας.

**Αν το αλυσοπρίονο χρειάζεται επισκευή**

Το αλυσοπρίονό σας πληρεί τις σχετικές προδιαγραφές ασφαλείας. Οι επισκευές θα πρέπει να γίνονται μόνο από ειδικευμένους τεχνικούς και με τη χρήση αποκλειστικά γνήσιων ανταλλακτικών, διαφορετικά υπάρχει το ενδεχόμενο σοβαρού κινδύνου για το χρήστη. Συνιστάται να φυλάσσετε αυτό το εγχειρίδιο χρήσης σε ένα ασφαλές μέρος.

**ΠΡΟΣΤΑΣΙΑ ΤΟΥ ΠΕΡΙΒΑΛΛΟΝΤΟΣ**

Η Black & Decker δίνει τη δυνατότητα ανακύκλωσης των προϊόντων της που έχουν συμπληρώσει τη διάρκεια ζωής τους. Η υπηρεσία αυτή είναι δωρεάν. Αν θέλετε να χρησιμοποιήσετε την εν λόγω υπηρεσία, επιστρέψτε το προϊόν σας σε οποιοδήποτε εξουσιοδοτημένο κέντρο επισκευών, όπου θα το παραλάβουν εκ μέρους σας.

Ενημερωθείτε για το πλησιέστερο κέντρο επισκευών της περιοχής σας, επικοινωνώντας με τα γραφεία της Black & Decker στη διεύθυνση που αναγράφεται στο εγχειρίδιο. Επίσης, για να πληροφορηθείτε για τα εξουσιοδοτημένα κέντρα επισκευών της Black & Decker, τις λεπτομέρειες και τους αρμόδιους των υπηρεσιών που παρέχονται μετά την πώληση, μπορείτε να ανατρέξετε στο Διαδίκτυο στη διεύθυνση: [www.2helpU.com](http://www.2helpU.com).

**ΕΞΑΡΤΗΜΑΤΑ**

Κωδικός	Περιγραφή
A6154	αλυσίδα 300 mm / 12"
A6155	αλυσίδα 350 mm / 14"
A6156	αλυσίδα 400 mm / 16"
A6039	Σετ ακονίσματος
A6027	λάδι για αλυσίδες 0,5 l

**ΕΝΤΟΠΙΣΜΟΣ ΚΑΙ ΑΠΟΚΑΤΑΣΤΑΣΗ ΠΡΟΒΛΗΜΑΤΩΝ**

Αν το εργαλείο δε λειτουργεί σωστά, ελέγξτε τα ακόλουθα:

Πρόβλημα	Πιθανή αιτία	Λύση
Το εργαλείο δεν ξεκινά	Καμμένη ασφάλεια Ενεργοποιημένο RCD. Το καλώδιο τροφοδοσίας δεν είναι συνδεδεμένο.	Αντικαταστήστε την ασφάλεια. Ελέγξτε το RCD. Ελέγξτε την παροχή ρεύματος.
Το εργαλείο δεν ξεκινά – το μπουτόν απασφάλισης δεν σύρεται.	Ο πρόσθιος προφυλακτήρας είναι στην θέση φρένου.	Επαναρυθμίστε τον πρόσθιο προφυλακτήρα.
Η αλυσίδα δεν σταματά αμέσως όταν το εργαλείο τίθεται εκτός λειτουργίας.	Η τάνυση της αλυσίδας είναι πολύ χαλαρή.	Ελέγξτε την τάνυση της αλυσίδας.
Η μπάρα/ αλυσίδα είναι θερμές/ καπνίζουν.	Το δοχείο λαδιού είναι άδειο. Η τάνυση της αλυσίδας είναι πολύ σφιχτή. Η άκρη της οδόντωσης της μπάρας οδηγού χρειάζεται λίπανση.	Ελέγξτε την στάθμη του δοχείου λαδιού. Ελέγξτε την τάνυση της αλυσίδας.



**Εγγύηση**

Η Black & Decker είναι σίγουρη για την ποιότητα των προϊόντων της και παρέχει σημαντική εγγύηση. Η παρούσα γραπτή εγγύηση αποτελεί πρόσθετο δικαίωμά σας και δεν ζημιώνει τα συνταγματικά σας δικαιώματα. Η εγγύηση ισχύει εντός της επικράτειας των Κρατών Μελών της Ευρωπαϊκής Ένωσης και της Ευρωπαϊκής Ζώνης Ελευθέρων Συναλλαγών.

Σε περίπτωση που κάποιο προϊόν της Black & Decker παρουσιάσει βλάβη εξαιτίας ελαττωματικών υλικών, ποιότητας εργασίας ή έλλειψης συμφωνίας με τις προδιαγραφές εντός 24 μηνών από την ημερομηνία αγοράς, η Black & Decker εγγυάται την αντικατάσταση των ελαττωματικών τμημάτων, την επισκευή προϊόντων που έχουν υποστεί εύλογη φθορά λόγω χρήσης ή την αντικατάσταση των προϊόντων προκειμένου να εξασφαλίσει την ελάχιστη ενόχληση στους πελάτες της, εκτός αν:

- ♦ Το προϊόν έχει χρησιμοποιηθεί σε εργασιακό, επαγγελματικό περιβάλλον ή αν έχει ενοικιαστεί
- ♦ Έχει γίνει εσφαλμένη χρήση του προϊόντος ή αν έχει παραμεληθεί
- ♦ Το προϊόν έχει υποστεί βλάβη από άλλα αντικείμενα, από ουσίες ή λόγω ατυχήματος
- ♦ Έχει γίνει προσπάθεια επισκευής από μη εξουσιοδοτημένα κέντρα επισκευών ή από προσωπικό που δεν ανήκει στο προσωπικό της Black & Decker

Για να ισχύσει η εγγύηση, πρέπει να υποβάλετε απόδειξη αγοράς στον πωλητή ή το εξουσιοδοτημένο κέντρο επισκευών. Ενημερωθείτε για το πλησιέστερο κέντρο επισκευών της περιοχής σας, επικοινωνώντας με τα γραφεία της Black & Decker στη διεύθυνση που αναγράφεται στο εγχειρίδιο. Επίσης, για να πληροφορηθείτε για τα εξουσιοδοτημένα κέντρα επισκευών της Black & Decker, τις λεπτομέρειες και τους αρμόδιους των υπηρεσιών που παρέχονται μετά την πώληση, μπορείτε να ανατρέξετε στο Διαδίκτυο στη διεύθυνση:

**www.2helpU.com.**

**ΔΗΛΩΣΗ ΣΥΜΜΟΡΦΩΣΗΣ ΕΚ**

GK 1330/GK 1430/GK 1435/GK 1440/  
GK 1630/1635/GK 1640  
Black & Decker δηλώνει ότι αυτά τα ηλεκτρικά εργαλεία σχεδιάστηκαν σύμφωνα με:  
98/37/ΕΟΚ, 89/336/ΕΟΚ, 73/23/ΕΟΚ,  
EN 50144, EN 55014  
2000/14/ΕΟΚ, Αλυσοπρίονο ≤ 1600 W,  
Annex V

Ανώτατο όριο ηχητικής πίεσης, μέτρηση κατά 2000/14/ΕΟΚ:

$L_{pA}$ (ηχητική πίεση)	dB(A)	88
$L_{WA}$ (ακουστική δύναμη)	dB(A)	101
$L_{WA}$ (εγγυημένο προϊόν)	dB(A)	103



Λάβετε τα ενδεδειγμένα μέτρα προστασίας σε περίπτωση που η ακουστική πίεση υπερβαίνει τα 85 dB(A).

Ο σταθμισμένος τετραγωνικός μέσος όρος επιτάχυνσης κατά EN 50144:

3,5 m/s <sup>2</sup>
----------------------

**TÜ V Rheinland**

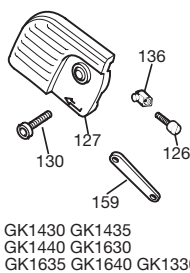
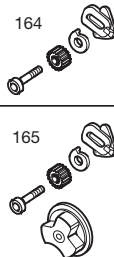
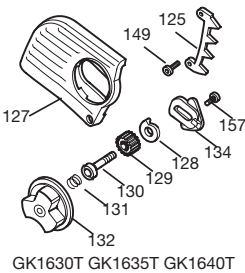
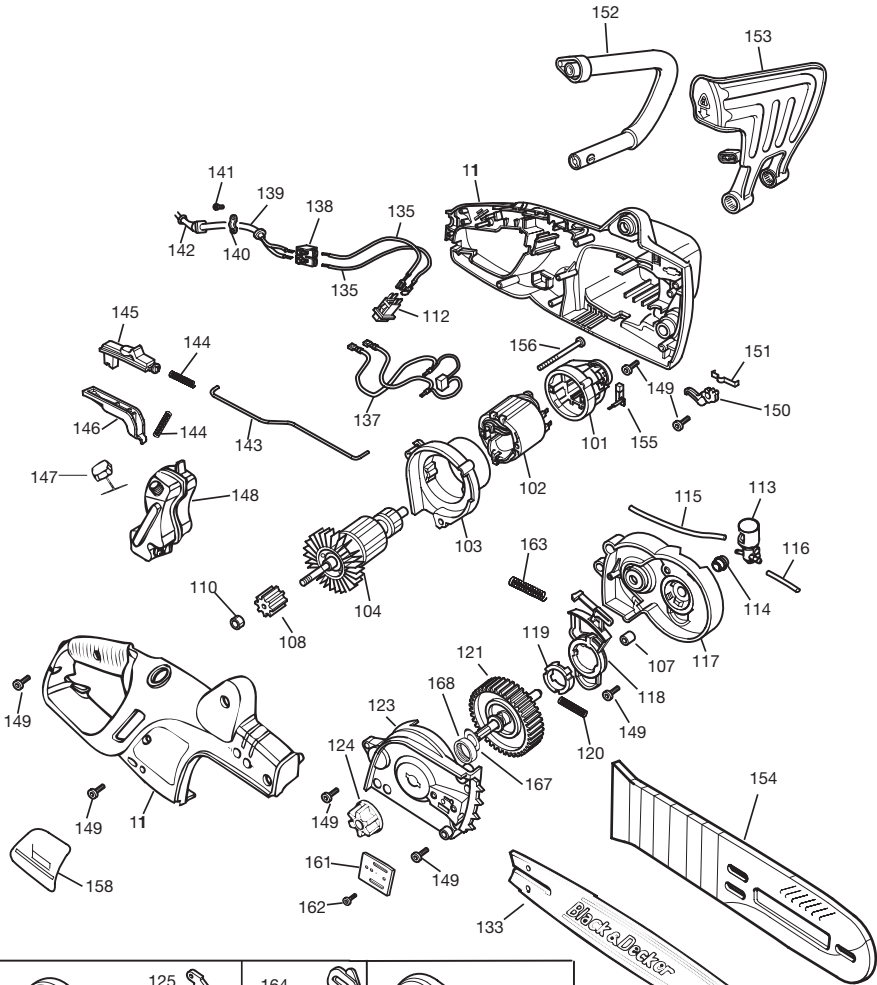
Cert. No.
BM981084801

Kevin Hewitt  
Διευθυντής μηχανολογίας  
Spennymoor, County Durham DL16 6JG,  
United Kingdom









<b>Australia</b>	DeWALT Industrial Power Tool Company 7 Clarice Road, Box Hill, Victoria 3128	Tel. 03 9895 9200 Fax 03 9899 7465
<b>Belgique/België</b>	Black & Decker (Belgium) N.V. Weihoek 1, 1930 Zaventem	Tel. 02/719.07.11 Fax 02/721.40.45
<b>Danmark</b>	Black & Decker Hejrevang 26B, 3450 Allerød Internet: www.blackdecker.dk	Tel. 70 20 15 10 Fax 48 14 13 99
<b>Deutschland</b>	Black & Decker GmbH Black & Decker Str. 40, D - 65510 Idstein	Tel. 06126/21 24 83 Fax 06126/21 26 01
<b>Ελλάς</b>	Black & Decker (Ελλάς) A.E. Στράβωνος 7 & Βουλιαγμένης 159 16674 Γλυφάδα, Αθήνα, Ελλάδα	Τηλ. (010) 8981 616 Τηλ. (010) 8982 630 Φαξ Service (010) 8983 285
<b>España</b>	Black & Decker Spain Parque de Negocios "Mas Blau" Edificio Muntadas, c/Bergadá, 1, Of. A6 08820 El Prat de Llobregat (Barcelona)	Tel. 934 797 400 Fax 934 797 419
<b>France</b>	Black & Decker (France) S.A.S. B.P. 21, 69571 Dardilly Cédex	Tel. 04 72 20 39 20 Fax 04 72 20 39 00
<b>Helvetia</b>	ROFO AG Gewerbezone Seeblick 3213 Kleinbödingen	Tel. 026-6749391 Fax 026-6749394
<b>Italia</b>	Black & Decker Italia SpA Viale Elvezia 2 20052 Monza (MI)	Tel. 039-23871 Fax 039-2387592/2387594 Numero verde 800-213935
<b>Nederland</b>	Black & Decker (Nederland) BV Florijnstraat 10, 4879 AH Etten-Leur	Tel. 076-5082000 Fax 076-5038184
<b>New Zealand</b>	Black & Decker 81 Hugo Johnson Drive Penrose, Auckland, New Zealand	Tel. 09 579 7600 Fax 09 579 8200
<b>Norge</b>	Black & Decker (Norge) A/S Postboks 248, Leirdal, 1011 Oslo Internet: www.blackdecker.no	Tlf. 22 90 99 00 Fax 22 90 99 01
<b>Österreich</b>	Black & Decker Vertriebsges.m.b.H Erlaerstraße 165, 1231 Wien	Tel. 01 66116-0 Fax 01 66116-14
<b>Portugal</b>	Black & Decker Rua Egas Moniz 173, S. João do Estoril 2766-651, Estoril	Tel. 214667500 Fax 214667575
<b>South Africa</b>	Black & Decker South Africa (Pty) Ltd Physical address: 39 Commerce Crescent Eastgate, ext. 12, Sandton, Kramerville 2148 Postal address: Postnet Suite 107, Private Bag X65 Halfway House 1685	Tel. (011) 653-1400 Fax (011) 653-1499
<b>Suomi</b>	Black & Decker Oy Palotie 3, 01610 Vantaa Black & Decker Oy, Brandvägen 3, 01610 Vanda	Puh: (09) 825 4540 Fax: (09) 825 45 444 Tel: (09) 825 4540 Fax: (09) 825 45 444
<b>Sverige</b>	Black & Decker AB Box 603, 421 26 Västra Frölunda, Besöksadr. Ekonomivägen 11	Tel: 031-68 60 00 Fax: 031-68 60 08
<b>Türkiye</b>	Black & Decker Merkez Servis Dudullu Cad. Kerembey Sok. No. 1 Küçükbakkalköy/Istanbul	Tel. 0216 455 89 73 Faks 0216 455 20 52
<b>United Kingdom</b>	Black & Decker 210 Bath Road Slough, Berkshire SL1 3YD	Tel. 01753 511234 Fax 01753 551155 Helpline 01753 574277

Dealer address  
Händleradresse  
Cachet du revendeur  
Indirizzo del rivenditore  
Adres van de dealer  
Dirección del detallista  
Morada do revendedor  
Återförsäljarens adress  
Forhandlerens adresse  
Forhandler adresse  
Jälleenmyyjän osoite  
Διεύθυνση αντιπροσώπου

Date of purchase  
Kaufdatum  
Date d'achat  
Data d'acquisto  
Aankoopdatum  
Fecha de compra  
Data de compra  
Inköpsdatum  
Inkljopsdato  
Indkøbsdato  
Ostopäivä  
Ημερομηνία αγοράς

◆ Name ◆ Name ◆ Nom ◆ Nome  
◆ Naam ◆ Nombre ◆ Nome ◆ Namm  
◆ Navn ◆ Navn ◆ Nimi ◆ Ovoqua:

◆ Address ◆ Adresse ◆ Adresse ◆  
Indirizzo ◆ Adres ◆ Dirección ◆ Morada  
◆ Address ◆ Adresse ◆ Adresse ◆ Osoite  
◆ Διεύθυνση:

◆ Town ◆ Ort ◆ Ville ◆ Città ◆ Plaats  
◆ Ciudad ◆ Localidade ◆ Ort ◆ By ◆ By  
◆ Paikkakunta ◆ Πόλη:

◆ Postal code ◆ Postleitzahl ◆ Code  
postal ◆ Codice postale ◆ Postcode  
◆ Código ◆ Código postal ◆ Postnr.  
◆ Postnr. ◆ Postnr. ◆ Postnummero  
◆ Κωδικός

◆ Is this tool a gift? ◆ Ist dieses Gerät  
ein Geschenk? ◆ S'agit-il d'un cadeau?  
◆ Si tratta di un regalo? ◆ Kreeg u de  
machine als cadeau? ◆ ¿Ha recibido  
usted esta herramienta como regalo?  
◆ Recebeu esta ferramenta como  
presente? ◆ Är verktyget en gåva?  
◆ Er verktyget en gave? ◆ Er verkjøpet  
en gave? ◆ Onko kone lahja?  
◆ Το εργαλείο είναι δώρο?

◆ Yes ◆ Ja ◆ Oui ◆ Si ◆ Ja ◆ Si  
◆ Sim ◆ Ja ◆ Ja ◆ Ja ◆ Kyllä ◆ Nat  
  
 ◆ No ◆ Nein ◆ Non ◆ No ◆ Nee  
◆ No ◆ Não ◆ Nej ◆ Nei ◆ Nej  
◆ Ei ◆ Oxi

◆ Is this tool your first purchase? ◆ Ist  
dieses Gerät ein Erstkauf? ◆ Est-ce un  
1er achat? ◆ Questo prodotto è il suo  
primo acquisto? ◆ Is deze machine uw  
eerste aankoop? ◆ ¿Es esta  
herramienta la primera de este tipo?  
◆ Esta ferramenta é a sua primeira  
compra? ◆ Är detta ditt första B&D-  
verktyg? ◆ Er dette ditt første B&D-  
verktyg? ◆ Er dette dit første B&D

verktyg? ◆ Onko tämä ensimmäinen  
B&D-koneesi? ◆ Είναι το εργαλείο  
αυτό η πρώτη σας αγορά?

◆ Yes ◆ Ja ◆ Oui ◆ Si ◆ Ja ◆ Si  
◆ Sim ◆ Ja ◆ Ja ◆ Ja ◆ Kyllä ◆ Nat  
  
 ◆ No ◆ Nein ◆ Non ◆ No ◆ Nee  
◆ No ◆ Não ◆ Nej ◆ Nei ◆ Nej  
◆ Ei ◆ Oxi

◆ Dealer address ◆ Händleradresse  
◆ Cachet du revendeur ◆ Indirizzo del  
rivenditore ◆ Adres van de dealer  
◆ Dirección del detallista ◆ Morada do  
revendedor ◆ Återförsäljarens adress  
◆ Forhandlerens adresse ◆ Forhandler  
adresse ◆ Jälleenmyyjän osoite  
◆ Διεύθυνση αντιπροσώπου

Cat. no.:



- ◆ GUARANTEE CARD
- ◆ GARANTIEKART
- ◆ GARANTI KORT
- ◆ GARANTIEKARTE
- ◆ TARJETA DE GARANTÍA
- ◆ GARANTI KORT
- ◆ CARTE DE GARANTIE
- ◆ CARTÃO DE GARANTIA
- ◆ TAKUKUKORTTI
- ◆ TAGLIANDO DI GARANZIA
- ◆ GARANTIBEVIS
- ◆ KAPTA EITΓHZHΣHΣ



**English**

Please complete this section immediately after the purchase of your tool and send it to Black & Decker in your country. If you live in Australia or New Zealand, please register by using the alternative guarantee card supplied.

**Deutsch**

Bitte schneiden Sie diesen Abschnitt ab, stecken ihn in einen frankierten Umschlag und schicken ihn an die Black & Decker Adresse Ihres Landes.

**Français**

Découpez cette partie et envoyez-la sous enveloppe timbrée à l'adresse de Black & Decker dans votre pays, ceci immédiatement après votre achat.

**Italiano**

Per favore ritagliate questa parte, inseritela in una busta con francobollo e spedite-la subito dopo l'acquisto del prodotto all'indirizzo della Black & Decker nella vostra nazione.

**Nederlands**

Knip dit gedeelte uit en zend het direct na aankoop in een getrankeerde, geaddresseerde envelop naar het adres van Black & Decker in uw land.

**Español**

Después de haber comprado su herramienta envíe usted, por favor, esta tarjeta a la central de Black & Decker en su país.

**Português**

Por favor, recorte esta parte, coloque-a num envelope selado e endereçado e envie-o logo após a compra do seu produto para o endereço da Black & Decker do seu país.

**Svenska**

Var vänlig klipp ur denna del och sänd den i ett frankerat kuvert till Black & Deckers adress i Ditt land.

**Norsk**

Vennligst klipp ut denne delen umiddelbart etter du har pakket ut ditt produkt og legg det i en adressert konvolutt til Black & Decker (Norge) A/S.

**Dansk**

Venligst klip denne del ud og send frankeret til Black & Decker i dit land.

**Suomi**

Leikkaa irti tämä osa, laita se kuoreen ja postita kuori paikalliseen Black & Decker osoitteeseen.

**Ελληνικά**

Ταποκιδώ κόψετε αуро το κομμάτι και τοxyυδποληήοατε το κέρος μετά την αγορά του προϊόντος σας στην διεύθυνση της Black & Decker στην Ελλάδα.